

# MODULAR ELECTRONICS LEARNING (MODEL) PROJECT



## PHASORS AND AC CIRCUIT MEASUREMENTS

© 2018-2024 BY TONY R. KUPHALDT – UNDER THE TERMS AND CONDITIONS OF THE  
CREATIVE COMMONS ATTRIBUTION 4.0 INTERNATIONAL PUBLIC LICENSE

LAST UPDATE = 7 OCTOBER 2024

This is a copyrighted work, but licensed under the Creative Commons Attribution 4.0 International Public License. A copy of this license is found in the last Appendix of this document. Alternatively, you may visit <http://creativecommons.org/licenses/by/4.0/> or send a letter to Creative Commons: 171 Second Street, Suite 300, San Francisco, California, 94105, USA. The terms and conditions of this license allow for free copying, distribution, and/or modification of all licensed works by the general public.



# Contents

<b>1</b>	<b>Introduction</b>	<b>3</b>
1.1	Recommendations for students . . . . .	3
1.2	Challenging concepts related to phasor measurements . . . . .	5
1.3	Recommendations for instructors . . . . .	6
<b>2</b>	<b>Simplified Tutorial</b>	<b>7</b>
<b>3</b>	<b>Full Tutorial</b>	<b>13</b>
3.1	Additive voltages . . . . .	14
3.2	Phasor polarity . . . . .	16
3.3	Additive currents . . . . .	20
3.4	Concept summary . . . . .	24
<b>4</b>	<b>Derivations and Technical References</b>	<b>25</b>
4.1	Phasometers . . . . .	26
<b>5</b>	<b>Questions</b>	<b>39</b>
5.1	Conceptual reasoning . . . . .	43
5.1.1	Reading outline and reflections . . . . .	44
5.1.2	Foundational concepts . . . . .	45
5.1.3	Boost/buck transformer circuits . . . . .	46
5.2	Quantitative reasoning . . . . .	47
5.2.1	Miscellaneous physical constants . . . . .	48
5.2.2	Introduction to spreadsheets . . . . .	49
5.2.3	Voltages between specified points . . . . .	52
5.2.4	Incomplete SPICE simulation . . . . .	54
5.3	Diagnostic reasoning . . . . .	55
5.3.1	Find the mistake(s) . . . . .	55
<b>A</b>	<b>Problem-Solving Strategies</b>	<b>57</b>
<b>B</b>	<b>Instructional philosophy</b>	<b>59</b>
<b>C</b>	<b>Tools used</b>	<b>65</b>

<i>CONTENTS</i>	1
<b>D Creative Commons License</b>	<b>69</b>
<b>E Version history</b>	<b>77</b>
<b>Index</b>	<b>77</b>



# Chapter 1

## Introduction

### 1.1 Recommendations for students

Phasor mathematics is a powerful tool for quantifying and analyzing AC circuit parameters, but it must be applied according to how those parameters would actually be measured in a circuit. This module seeks to lay a firm foundation for the use of phasors to quantify AC voltages and currents. The Full Tutorial also previews three-phase AC circuits through one of the examples, showing the paradoxical result of balanced phase currents summing at a node in a Wye-connected system.

Important concepts related to phasor measurements include **voltage**, **current**, **phase shift**, **polarity**, **complex numbers**, **Kirchhoff's Voltage Law**, **Kirchhoff's Current Law**, **voltmeter usage**, **ammeter usage**, properties of **series** networks, properties of **parallel** networks, and **sources** versus **loads**.

Here are some good questions to ask of yourself while studying this subject:

- How might an experiment be designed and conducted to mathematically demonstrate the addition of two sinusoids that are phase-shifted from one another, using a computer to perform the arithmetic? What hypothesis (i.e. prediction) might you pose for that experiment, and what result(s) would either support or disprove that hypothesis?
- How might an experiment be designed and conducted to explore the concept of phasor addition in the “neutral” conductor of a three-phase AC circuit? What hypothesis (i.e. prediction) might you pose for that experiment, and what result(s) would either support or disprove that hypothesis?
- What is the significance of the mathematical sign of a digital multimeter’s measurement?
- Why are so many possible total voltages possible when two AC voltage sources are connected in series, but only a few possibilities exist for DC sources similarly connected?
- How does the “polar” form of a complex number relate to an AC voltage or current?
- How does the “rectangular” form of a complex number relate to an AC voltage or current?

- What does it mean when an AC source is labeled with polarity symbols or an arrow symbol?
- How is it possible that no current passes through the return conductor of certain three-phase circuits?
- What is the proper way to connect a voltmeter to a circuit component to measure its voltage?
- What is the proper way to connect an ammeter to a circuit component to measure its current?
- Which electrical quantity(ies) add in a series network?
- Which electrical quantity(ies) must be equal throughout a series network, and why?
- Which electrical quantity(ies) add in a parallel network?
- Which electrical quantity(ies) must be equal throughout a parallel network, and why?

## 1.2 Challenging concepts related to phasor measurements

The following list cites concepts related to this module's topic that are easily misunderstood, along with suggestions for properly understanding them:

- **Phasors representing AC amplitudes and phase shifts** – a powerful tool used for understanding the operation of AC circuits is the *phasor diagram*, consisting of arrows pointing in different directions: the length of each arrow representing the amplitude of some AC quantity (voltage, current, or impedance), and the angle of each arrow representing the shift in phase relative to the other arrows. By representing each AC quantity thusly, we may more easily calculate their relationships to one another, with the phasors showing us how to apply trigonometry (Pythagorean Theorem, sine, cosine, and tangent functions) to the various calculations. An analytical parallel to the graphic tool of phasor diagrams is *complex numbers*, where we represent each phasor (arrow) by a pair of numbers: either a magnitude and angle (polar notation), or by “real” and “imaginary” magnitudes (rectangular notation). Where phasor diagrams are helpful is in applications where their respective AC quantities *add*: the resultant of two or more phasors stacked tip-to-tail being the mathematical sum of the phasors. Complex numbers, on the other hand, may be added, subtracted, multiplied, and divided; the last two operations being difficult to graphically represent with arrows.
- **Complex numbers in calculators** – while the ability of certain scientific calculators to perform complex-number arithmetic is an enormously helpful tool for students first learning to analyze AC circuits, some of these calculators prove to be finicky in their handling and entry of these quantities. Advice proven to be sound for all complex-number calculators is to save each and every complex-valued quantity into a memory location and then perform arithmetic operations on those stored variables rather than enter the complex numbers directly into the computation. For example, storing  $3 - j4$  into memory location A and  $25 \angle 30^\circ$  into memory location B, then multiplying  $A \times B$  rather than entering  $3 - j4 \times 25 \angle 30^\circ$ . Storing values into calculator memory and then retrieving them as needed for calculations is actually sound advice for many reasons, but many students resist taking these “extra” steps and as a result incur all the risks of hand-entering values (e.g. rounding errors due to truncating, keystroke errors when the same value must be used more than once, crowded displays where you cannot see the whole calculation, order-of-operations errors when complex numbers aren't enclosed in parentheses, etc.). Complex-number calculations reward good practices through consistently good results!
- **Complex numbers in measurement** – complex numbers may be expressed in either *rectangular* or *polar* form, either one of these being perfectly valid. However, measurement instruments such as multimeters only provide the magnitude of the polar form of the voltage or current in question. For example, if a component's voltage is 4.8 Volts RMS  $\angle 35^\circ$  with the circuit's source voltage being the phase reference ( $0^\circ$ ), an voltmeter reading that voltage will simply register 4.8 Volts RMS. An oscilloscope simultaneously measuring that component voltage on one channel and the source voltage on another will show the  $35^\circ$  shift on the horizontal axis between the two waveforms.



### 1.3 Recommendations for instructors

This section lists realistic student learning outcomes supported by the content of the module as well as suggested means of assessing (measuring) student learning. The outcomes state what learners should be able to do, and the assessments are specific challenges to prove students have learned.

- **Outcome** – Demonstrate effective technical reading and writing

Assessment – Students present their outlines of this module’s instructional chapters (e.g. Case Tutorial, Tutorial, Historical References, etc.) ideally as an entry to a larger Journal document chronicling their learning. These outlines should exhibit good-faith effort at summarizing major concepts explained in the text.

Assessment – Students show how quantitative results were obtained by the author in the Tutorial chapter’s examples.

- **Outcome** – Apply the concept of phasor addition/subtraction to in-phase AC quantities

Assessment – Determine whether voltages subtract or add in boost/buck transformer circuits based on winding polarity markings and winding interconnections; e.g. pose problems in the form of the “Boost/buck transformer circuits” Conceptual Reasoning question.

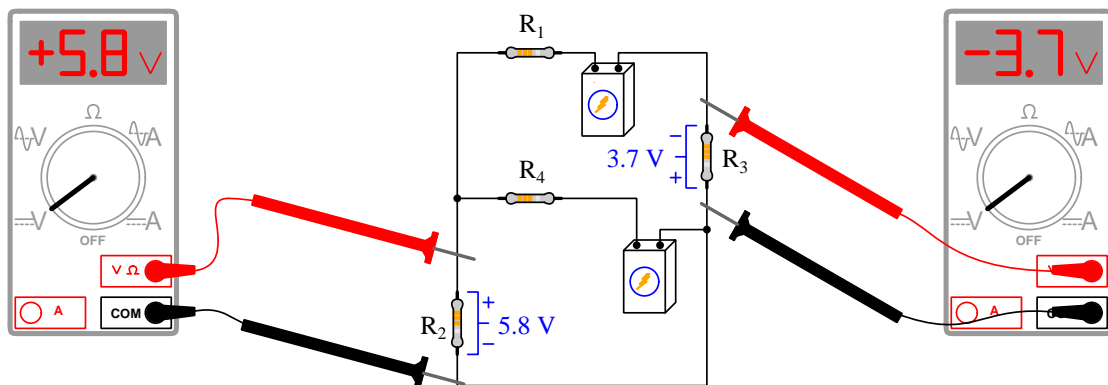
- **Outcome** – Apply the concept of phasor addition/subtraction to out-of-phase AC quantities

Assessment – Calculate voltages measured between pairs of test points connected to AC voltage sources of varying magnitude and relative phase shift; e.g. pose problems in the form of the “Voltages between specified points” Quantitative Reasoning question.

## Chapter 2

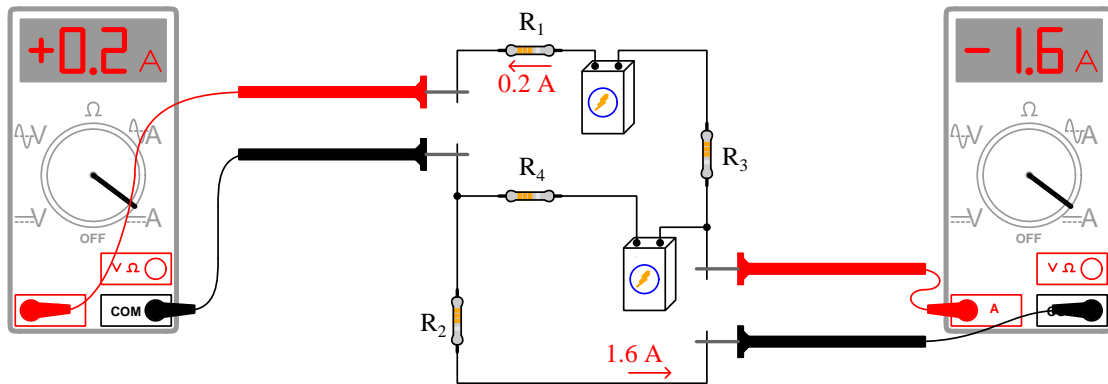
# Simplified Tutorial

Suppose we connected a pair of digital multimeters (DMMs) configured as voltmeters to a circuit as shown in this diagram:



The *actual* voltage drops across these two resistors are  $R_2$  dropping 5.8 Volts with positive on top and negative on bottom, and  $R_3$  dropping 3.7 Volts with positive on bottom and negative on top. This is evident from the voltmeter readings and test lead connections.  $R_2$ 's voltage drop must be positive on top and negative on bottom because its voltmeter registers a positive voltage with its red lead on top and black lead on bottom.  $R_3$ 's voltage drop must be positive on bottom and negative on top because its voltmeter registers a *negative* voltage with its red test lead on top and black test lead on bottom. In other words,  $R_2$ 's voltmeter is connected correctly while  $R_3$ 's voltmeter is connected “backwards”.

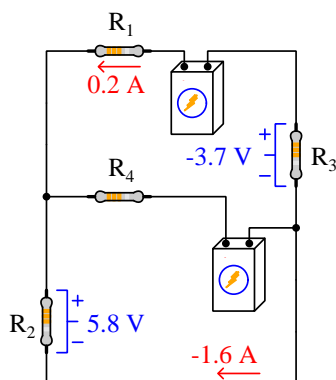
Ammeters may be similarly used to determine actual directions of current in a DC circuit:



It is clear that the left-hand ammeter has 0.2 Amperes of current entering its red lead and exiting its black lead, because that ammeter's measurement is a positive quantity. The right-hand ammeter has 1.6 Amperes of current entering its black lead and exiting its red lead, the direction evident from the “backwards” (negative) sign of its measured value.

When we annotate voltage polarities and current directions in a DC circuit, we typically regard those symbols as having *absolute* meaning. That is to say, when we see “+” and “-” polarity symbols drawn near the terminals of a circuit component, we assume the “+” terminal has a greater potential than the “-” terminal: charge carriers at the positive terminal exist at a higher state of potential energy than charge carriers at the negative terminal. Likewise with current arrows drawn along a conductor in a circuit diagram we interpret those arrows as pointing in the direction of conventional flow (i.e. the actual motion of positive charge carriers). When drawn like this, the voltage and current quantities also shown on the diagram are given as absolute values, never as negatively-signed numbers.

However, it is actually valid to show voltages and currents with polarities and directions “backwards” just as it is perfectly valid to connect a multimeter “backwards” to a circuit: in such cases we know the orientation is backwards because the given value bears a negative sign. The following illustration shows the voltages and currents annotated exactly the same as they were measured by the DMMs:

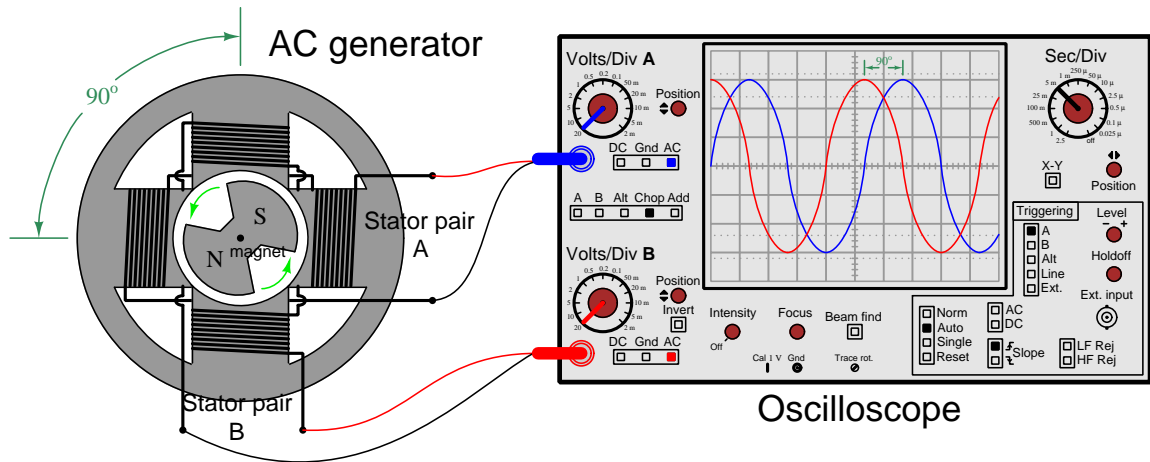


The *actual* polarity of  $R_3$ 's voltage drop is positive on bottom and negative on top, but the  $-3.7$  Volt value tells us the  $+$  and  $-$  polarity annotations are representing where a voltmeter's red and black test leads would connect, respectively, and not what the actual potentials are. Likewise, the 1.6 Ampere current is *actually* flowing from left to right, but the direction of that arrow represents how an ammeter's red and black test leads would connect<sup>1</sup> to yield a negative measurement of current. These labels may seem strange at first, but they are mathematically valid because they are paired with the mathematical signs of the values. In other words, the meanings of both the polarity symbols and the arrows are *relative* to the mathematical signs of the values, and have no definite meaning on their own. Likewise, the meaning of a meter measurement's positive or negative sign is incomplete without reference to polarity or arrow notations showing how that meter connects to the circuit.

What has all of this to do with *AC* circuit measurements and *phasors*, you ask? We know voltage polarities and current directions are essential for proper application of Kirchhoff's Laws to DC circuit analysis, and so it's reasonable to expect voltage polarities and current directions will be important in AC circuits too. However, the obvious problem here is that there is no such thing as absolute labeling of voltage polarities or current directions in AC, because AC quantities by definition *oscillate* back and forth. Therefore, in order to apply Kirchhoff's Laws to AC circuits we must apply voltage polarity and/or current direction labels to components in AC circuits, and this will require us to include phasor quantities along with those annotations in order to give them meaning. Just as the  $+$  and  $-$  voltage polarity symbols and current arrows were relative to the mathematical signs of the quantities shown on the DC circuit diagram, polarity and direction annotations will be relative to the *phase angles* of their respective quantities in an AC circuit diagram.

<sup>1</sup>Or more simply, the direction in which a clamp-on DC ammeter's arrow would point.

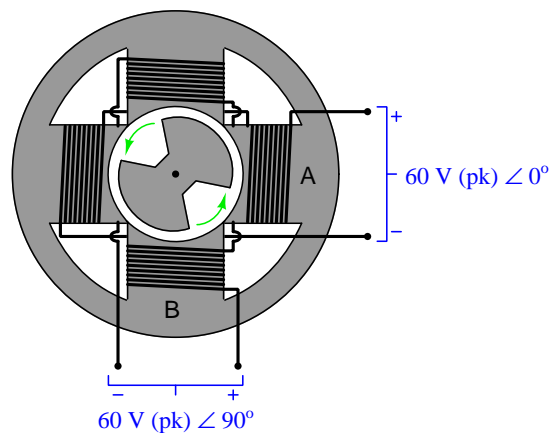
Let's examine an application of this principle on a two-winding AC generator, where each winding pair is offset  $90^\circ$  from the other, to create two voltages phase-shifted  $90^\circ$  from each other:



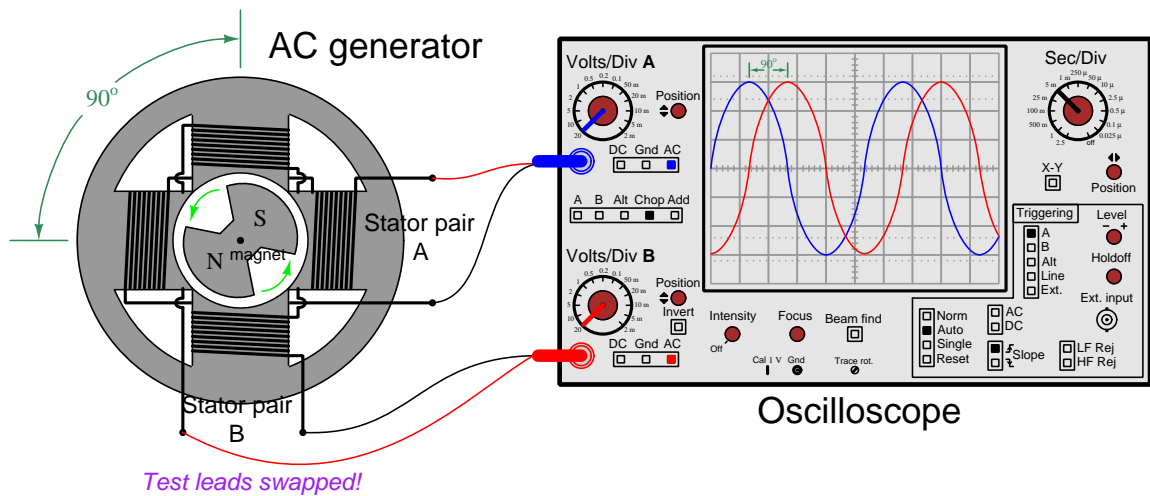
This particular oscilloscope has been configured to trigger its sweep based on Channel A's signal, with trigger level set at 0 Volts with a rising slope. This makes Channel A (the blue-colored trace) appear as a sine wave, with the left-hand border of the screen representing 0 degrees on that sine wave. Since Channel A is our triggering reference signal here, we will assign a value of  $0^\circ$  as its phase angle which makes Channel B's signal leading by  $+90^\circ$ .

$$V_A = 60 \text{ V (peak)} \angle 0^\circ \quad V_B = 60 \text{ V (peak)} \angle 90^\circ$$

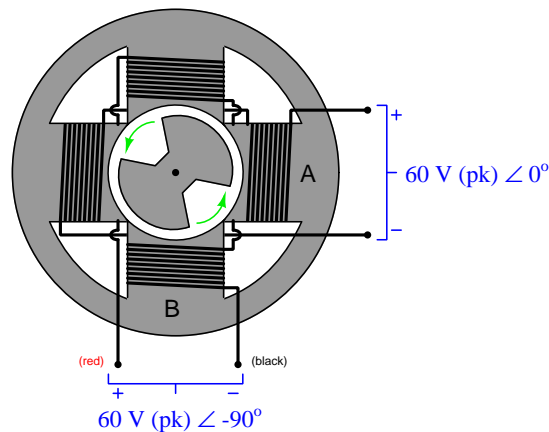
If we denote the red and black test lead connection points on the generator using + and - polarity symbols, we may give these phasor representations of voltage their full meaning in the following diagram:



If we were to swap the test lead connections on Channel B and re-measure these two winding voltages, we would see a different phase shift represented on the oscilloscope's screen. Now Channel B (the red trace) appears to be *lagging* Channel A by  $-90^\circ$ , where before it was *leading*:

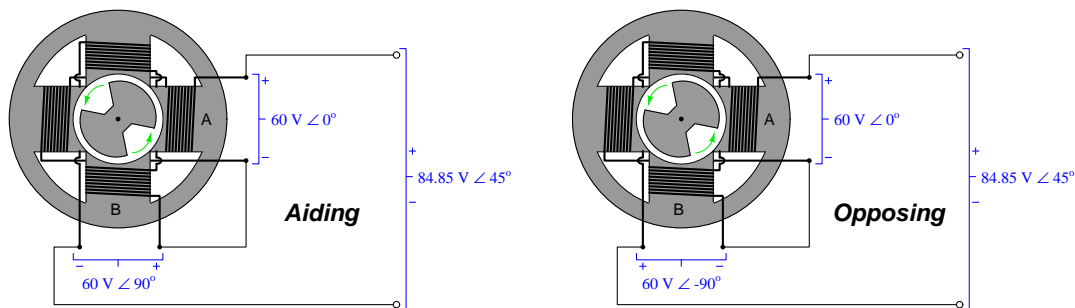


If we denote Channel B's new red and black test lead connection points on the generator using + and - polarity symbols, we may represent the output voltage of stator winding B in a new way:



In either case, the output voltage of stator winding B is the same. Nothing was altered with the generator itself – only our oscilloscope test leads for Channel B were swapped. This means  $60\text{ V} \angle 90^\circ$  with - on left and + on right means exactly the same thing as  $60\text{ V} \angle -90^\circ$  with + on left and - on right.

We may observe how to apply these polarities and phasor values to Kirchhoff's Voltage Law by connecting the generator's two stator windings in series and calculating their total voltage:



For the left-hand circuit where winding B's voltage is represented as  $60 \text{ V} \angle 90^\circ$  and the polarities are series-aiding, total voltage is the sum of the two voltages:

$$(60 \text{ V} \angle 0^\circ) + (60 \text{ V} \angle 90^\circ) = 84.85 \text{ V} \angle 45^\circ$$

For the right-hand circuit where winding B's voltage is represented as  $60 \text{ V} \angle -90^\circ$  and the polarities are series-opposing, total voltage is the difference between the two voltages:

$$(60 \text{ V} \angle 0^\circ) - (60 \text{ V} \angle -90^\circ) = 84.85 \text{ V} \angle 45^\circ$$

Note how the calculated total voltage is identical for these two scenarios, because the only difference is how we chose to notate winding B's voltage – it's the same exact voltage, just expressed two different ways.

This same principle applies to AC current measurements as well. The arrow notation used to show conventional flow in a diagram merely represents how an ammeter would be connected to the circuit (i.e. current entering the red lead and exiting the black lead), and the actual current is represented by the combination of that arrow symbol and the phasor quantity.

In summary,

- Polarity symbols drawn on an AC voltage source's terminals declare how we would connect an oscilloscope to measure the phase of that voltage waveform.
- An arrow drawn along a wire declares how we would connect an oscilloscope to measure the phase of that current waveform.
- Polarity symbols and arrows only have meaning in conjunction with a specified phase angle, and vice-versa.
- Refer to the polarity and arrow symbols when applying Kirchhoff's Laws *as though the circuit were DC rather than AC*, using these annotation symbols to determine when to add quantities versus when to subtract quantities. Then, as you set up your equations for calculating total voltage or current, insert the known phasor quantities associated with those symbols and trust the result given to you by the arithmetic.

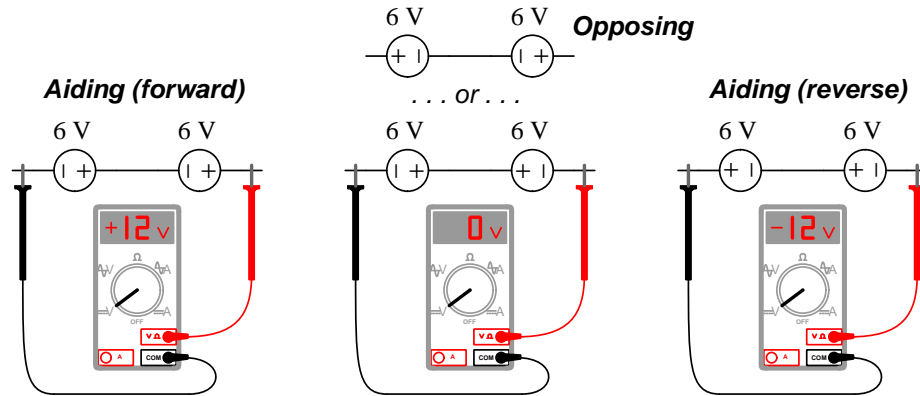
## Chapter 3

# Full Tutorial



### 3.1 Additive voltages

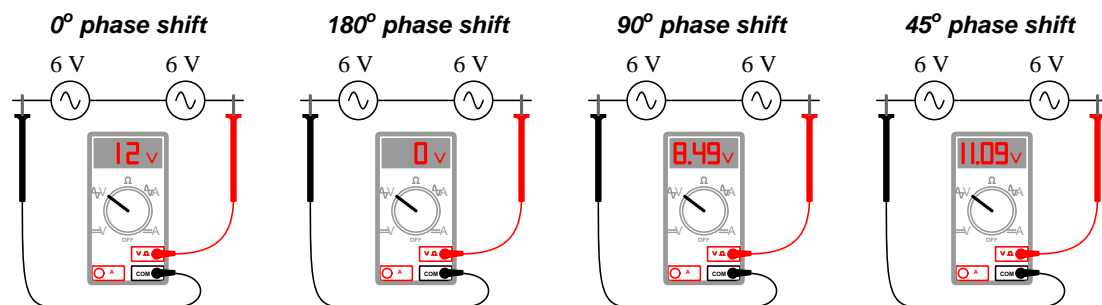
What would be the result of connecting two 6 Volt DC sources in series with each other and measuring their combined voltage with a digital multimeter (DMM)? At first, you might think “12 Volts” to be the obvious answer, but this is not necessarily correct. With two DC voltage sources having two terminals each, there are actually *four* different configurations of series connection. As we see here, only one of the four connections yields a total of +12 Volts:



We must remember that **voltage is always measured between two points**, being by definition the difference of potential energy between electric charges existing at two separate locations. Voltmeters have two test leads, one red and one black, and this guarantees there are always *two different ways to connect a voltmeter* to any voltage source. If the red lead touches a point with more electrical potential than the black lead, the meter will register a positive quantity; if opposite, the meter reads negative. This is why + and - *polarity* symbols are used in schematic diagrams, to give context to the voltage quantities. Without polarity symbols, we don't fully know what “6 Volts” means which is why it's impossible to give a sure answer to the initial question.

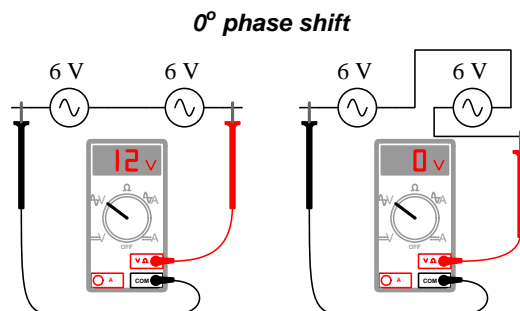
The same is true for DC current: ammeters have both red and black test leads, which means there are always two different ways in which the meter may be connected to a circuit. In schematic diagrams we use arrow symbols to denote direction of the electric current, once again to give context to the current quantities.

What would be the result of connecting two 6 Volt, 60 Hz AC sources in series with each other and measuring their combined voltage with a digital multimeter (DMM)? We face the same fundamental uncertainty here as we did with two 6 Volt DC sources, namely that we have not been informed how the polarities of these two voltage sources relate with each other. At first you might be inclined to think that there is no such thing as polarity with *alternating* quantities because by definition they oscillate between positive and negative, but this is not strictly true. AC quantities sharing a common frequency may differ in *phase*, meaning they do not peak at the same time. Here are just a few examples of series-connected AC voltage sources showing several possible total voltages depending on the amount of phase shift between the two sources:



With two DC voltage sources connected in series we only had three possible results for total voltage:  $-12$  Volts,  $0$  Volts, or  $+12$  Volts. With two AC voltage sources connected in series, however, we have an *infinite* number of possible results ranging from  $0$  Volts to  $12$  Volts inclusive.

The problem becomes even more complicated when we consider the following thought experiment. Imagine two in-phase 6 Volt AC voltage sources connected together in series to make a total of 12 Volts, just like the left-hand example shown above. Each of these two sources reaches their positive and negative peaks at precisely the same time which is why their voltages simply add together to make the total. Now imagine swapping the terminal connections on just one of these two sources without altering the  $0^\circ$  phase relationship. The sources will still reach their respective peaks at precisely the same time, but now the wire connections have placed those two waveforms at odds against each other instead of aiding each other. The total will now be  $0$  Volts instead of  $12$  Volts:

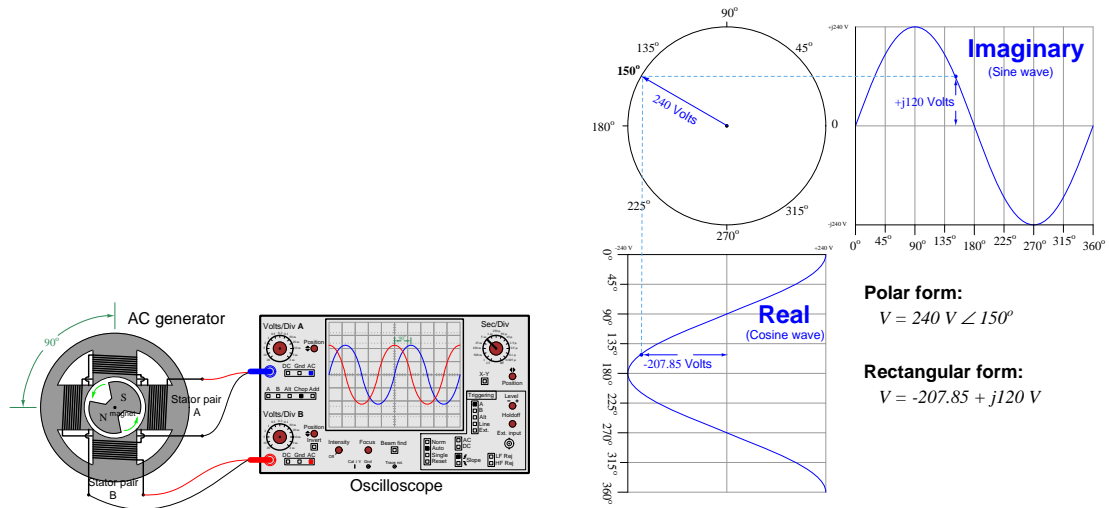


This thought experiment proves there really is such a thing as *polarity* for AC voltages: i.e. it truly matters how the two terminals of an AC voltage source connect to other components.

## 3.2 Phasor polarity

It would make little sense to permanently label the two terminals of an AC voltage source such as an electromechanical generator with + and – symbols as we do for DC voltage sources such as batteries because we know AC voltage by definition *alternates* polarity over time. However, what we can do is label an AC source with + and – polarity markings showing its actual voltage polarity when that source is at its  $0^\circ$  point. For an AC generator, that would be at a particular shaft position while the shaft is rotating in a particular direction.

Consider the following illustration of a two-phase AC generator with two pairs of stator windings oriented perpendicular to each other, such that these windings' AC voltages will always be phase-shifted by 90 degrees:

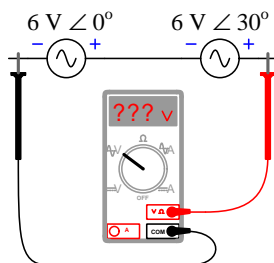


If we graphically represent the generator's rotor position as a phasor-arrow, we see that each stator winding's AC voltage is simply a projection of that phasor arrow's tip as rotates counter-clockwise: stator winding pair A outputting a sine wave and stator winding B outputting a cosine wave. It is as though the generator were creating a constant voltage of 240 Volts, but each stator winding only outputs a fraction of that 240 Volts based on the sine or cosine function of the shaft angle. This phasor-arrow's label of 240 Volts  $\angle$  150 degrees means that at a shaft position of 150 degrees (moving counter-clockwise) the instantaneous voltage output by winding A will be +120 Volts while the instantaneous voltage output by winding B will be -207.85 Volts.

Since the actual +/– polarity of each stator winding's voltage is a known function of shaft position, it actually makes sense that we could label those winding terminals with “+” and “–” symbols at a shaft position where the winding's voltage peaks. In the example shown above, stator winding pair B (“Real”) reaches peak voltage at a shaft position of 0 degrees and again at 180 degrees, while winding A (“Imaginary”) peaks 90 degrees later in both cases. Knowing this, we could mark winding B's terminals with “+” and “–” for its peak voltage polarity when the shaft is at 0 degrees, and mark winding A's terminals with “+” and “–” for its own peak voltage polarity 90 degrees later. Then, to make these notations complete we would state each winding's voltage in

terms of peak value (240 Volts) at angles reflecting their relative phase shifts: either designate B as  $240 \text{ V} \angle 0^\circ$  and A as  $240 \text{ V} \angle -90^\circ$ , or B as  $240 \text{ V} \angle 90^\circ$  and A as  $240 \text{ V} \angle 0^\circ$ .

Let's explore this principle by working through an example problem. Consider a pair of series-connected AC voltage sources at the same frequency, but phase-shifted  $30^\circ$  from each other. We will arbitrarily assign one of these sources a phase angle of  $0^\circ$  to make it the phase reference, and show the phase shift by giving the other source a phase angle of  $30^\circ$ . This means the  $0^\circ$  source *lags* and the  $30^\circ$  source *leads* (i.e. when the reference source's waveform is at its  $0^\circ$  point, the other source's waveform will already be at its  $30^\circ$  point). Finally, we will annotate the terminals of each source with  $+$  and  $-$  symbols, denoting the actual voltage polarity when each of the sources peaks at its  $0^\circ$  point<sup>1</sup> in time:



With these annotations in place, we may proceed to calculate the total voltage. First, we note the polarities of the sources with respect to their interconnection, and it appears they are series-aiding (i.e. the  $+$  of one connected to the  $-$  of the other). This means we will calculate total voltage by Kirchhoff's Voltage Law, using the same arithmetic as if these were DC voltage sources. The only difference in this case is that we will be adding two *complex* numbers together<sup>2</sup>:

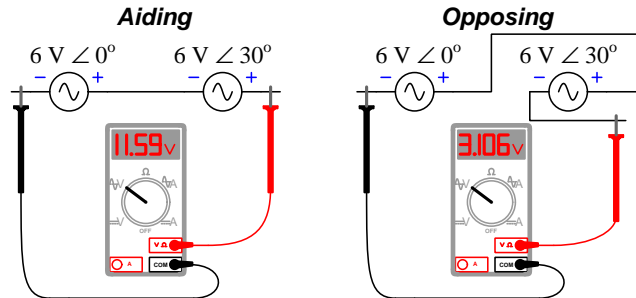
$$(6 \text{ V} \angle 0^\circ) + (6 \text{ V} \angle 30^\circ) = 11.59 \text{ V} \angle 15^\circ$$

<sup>1</sup>In other words, each of these two sources will have a lesser potential on the left terminal ( $-$ ) and a greater potential on the right ( $+$ ) when they individually reach their positive peak values ( $0^\circ$  on a cosine wave). The  $30^\circ$  phase shift means the right-hand source reaches its peak value  $30^\circ$  ahead of the left-hand source.

<sup>2</sup>Some electronic calculator models directly support complex-number arithmetic, and are valuable tools for AC circuit analysis!

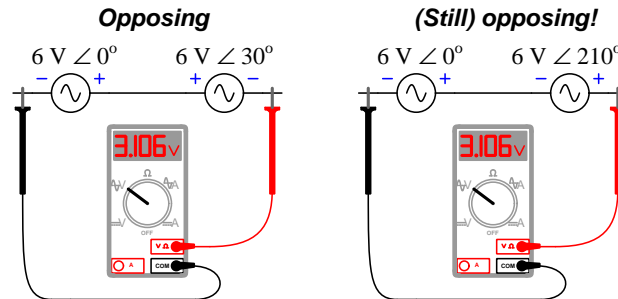
Now let us suppose we reverse the terminal connections on the  $30^\circ$  leading source and re-measure total voltage. Now the two sources appear to be series-*opposing* (i.e. + connected to +) which means we must use *subtraction* to calculate total voltage:

$$(6 \text{ V} \angle 0^\circ) - (6 \text{ V} \angle 30^\circ) = 3.106 \text{ V} \angle -75^\circ$$



Reversing the terminal connections on the  $30^\circ$  leading source so that its + terminal connects to the + terminal of the reference ( $0^\circ$ ) results in less total voltage than before because the polarities are more opposed than they were before. Mathematically, we noted the opposing polarities and concluded we must *subtract* to calculate total voltage. It is important to note, however, that we cannot simply assume the total magnitude will be less because the polarity marks oppose. Like DC sources measured with digital multimeters, the polarity of the source *and* the mathematical sign registered by the DMM *together* define the voltage.

To illustrate this point, we will re-draw the subtractive scenario in a different manner and contrast it with the former series-opposing diagram, with polarity symbols (seemingly) additive but  $180^\circ$  added to the phase angle of non-reference source so that it is now  $210^\circ$  instead of  $30^\circ$ :



In either network total voltage is the same:

$$(6 \text{ V} \angle 0^\circ) - (6 \text{ V} \angle 30^\circ) = 3.106 \text{ V} \angle -75^\circ$$

$$(6 \text{ V} \angle 0^\circ) + (6 \text{ V} \angle 210^\circ) = 3.106 \text{ V} \angle -75^\circ$$

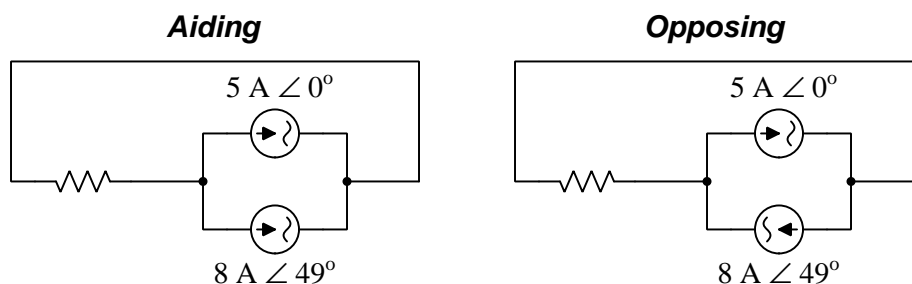
Denoting an AC source as  $6 \text{ V} \angle 210^\circ$  instead of  $6 \text{ V} \angle 30^\circ$  with reversed polarity markings is analogous to internally re-wiring a DC battery for backwards polarity and labeling it as outputting  $-6$  Volts instead of  $+6$  Volts. With DC we never had to worry about this sort of ambiguity because polarity markings were always absolute in their meaning. Here with AC, polarity marks represent true polarity only at that point in time where the voltage waveform reaches its maximum instantaneous value (at  $0^\circ$  for a cosine wave). Whether the final result will be aiding or opposing depends not just upon the polarity as shown but also upon the amount of phase shift between the connected quantities.

This complexity tends to diminish one's own confidence in *qualitative* AC circuit analysis, because the relative magnitude of the final result is much more difficult to predict than in a DC circuit. Graphical techniques such as *phasor diagrams* exist to aid in understanding these results, but when calculations are required it is advisable to *pay attention to the polarity symbols only for setting up calculations, and then trust the results your calculator returns to you!*

### 3.3 Additive currents

AC currents summing together at nodes in accordance with Kirchhoff's Current Law are handled in much the same way as AC voltages summing in series in accordance with Kirchhoff's Voltage Law. We use both arrows showing direction of current when each source is at its  $0^\circ$  point in time, using those arrows as guides for setting up our Kirchhoff's Current Law equation, then add or subtract the phasor quantities specified to us for those sources.

To illustrate, we will consider a pair of AC current sources connected in parallel, driving current through a resistive load. In the left-hand network the two sources appear to be aiding each other due to the directions of their arrows, while in the right-hand network they appear to be opposing:

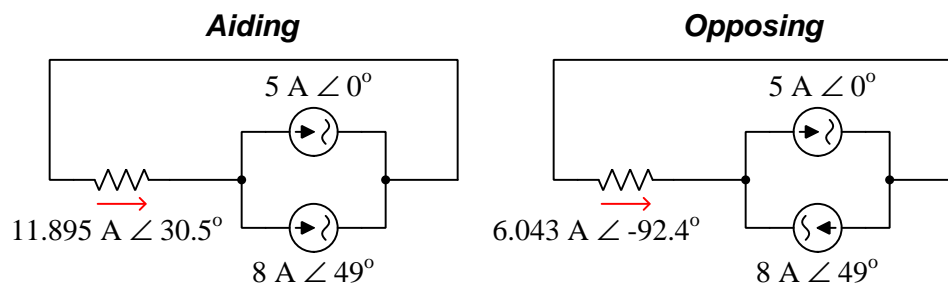


Calculating total current in each network:

$$(5 \text{ A} \angle 0^\circ) + (8 \text{ A} \angle 49^\circ) = 11.895 \text{ A} \angle 30.5^\circ$$

$$(5 \text{ A} \angle 0^\circ) - (8 \text{ A} \angle 49^\circ) = 6.043 \text{ A} \angle -92.4^\circ$$

Showing how these total current values would be represented through the resistor using arrow notation:

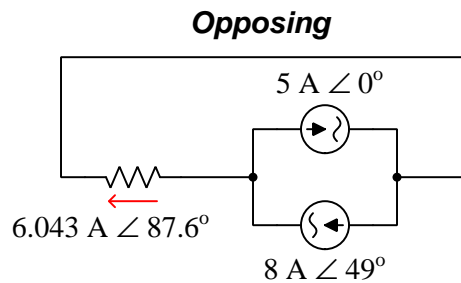


The direction of our total current arrow is not arbitrary. In both circuits the red arrow points from left to right because this is the direction assumed by our current calculations: regarding the 5 Ampere source as the “positive” quantity in both equations.

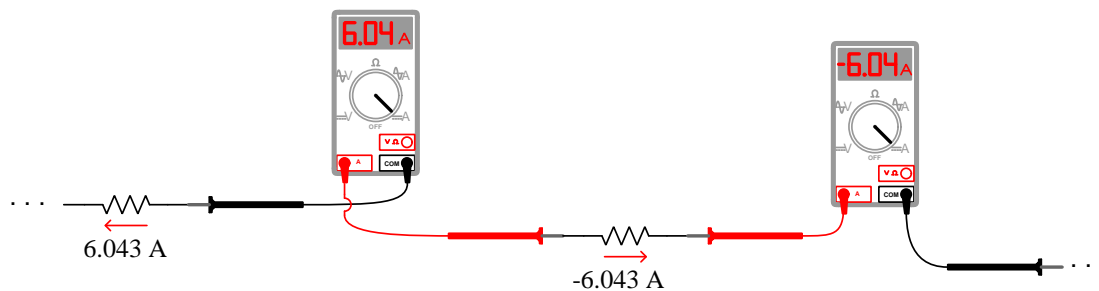
For the sake of illustration, we may re-write the second equation with the two current values in reverse order and re-calculate total current. Here, we are regarding the 8 Ampere source as the “positive” current and the 5 Ampere source as the “negative” (subtractive) current:

$$(8 \text{ A} \angle 49^\circ) - (5 \text{ A} \angle 0^\circ) = 6.043 \text{ A} \angle 87.6^\circ$$

Our result of 6.043 Amperes at an angle of  $87.6^\circ$  would be correct for a total current arrow drawn from right to left, honoring the 8 Ampere source’s arrow as the definition for a “positive” current value:



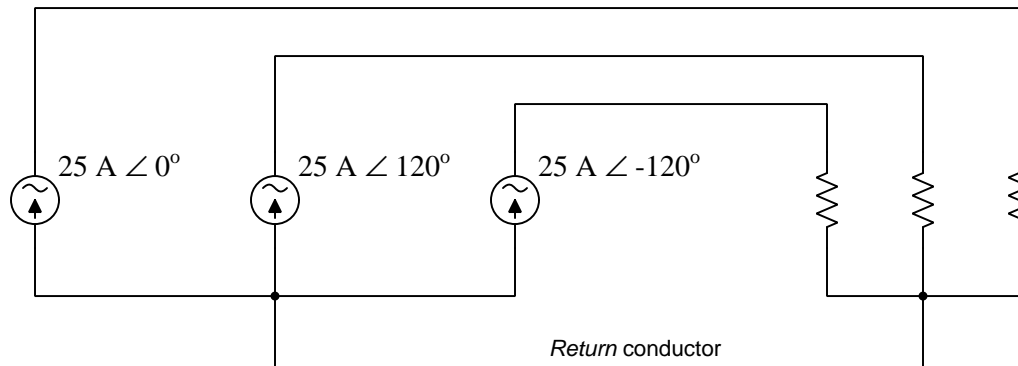
This is mathematically equivalent to the previous result: 6.043 Amperes  $\angle 87.6^\circ$  with arrow pointing from right to left is identical to 6.043 Amperes  $\angle -92.4^\circ$  with arrow pointing from left to right. If this were a DC circuit rather than an AC circuit, it would be analogous to a 6.043 Ampere current flowing from right to left versus the *exact same current* represented as  $-6.043$  Amperes flowing from left to right, as shown in the following partial diagram:



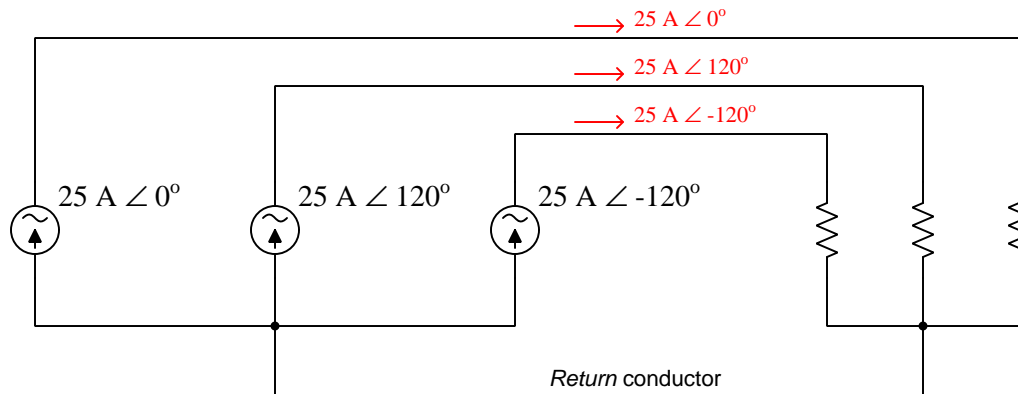
As with voltage measurement, the fundamental principle at work here is that there always exists two different ways in which a meter may be connected to a circuit, and therefore two different ways in which we may annotate the polarity of the voltage or the direction of the current in question. If we assign a mathematical value to a measurement, the sign (or phase angle) of that value only has meaning when paired with the polarity or direction of the annotation symbol(s), just as the sign of a DC meter’s reading or an AC waveform’s phase shift value as shown on an oscilloscope depends on how that instrument’s test leads are connected to the circuit.



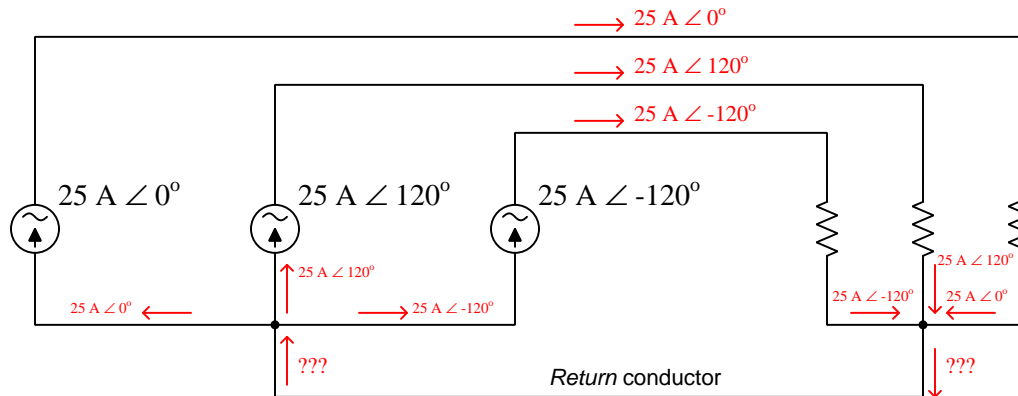
As with series AC voltage calculations, parallel AC current results may be quite counter-intuitive. A good example of this is the following *three phase* circuit, where three AC current sources having equal magnitude and equidistant phase shifts (i.e. each source is exactly  $120^\circ$  shifted in phase from either of the other two sources) power three loads with a common “return” conductor. Three-phase AC circuits are very common in industrial power systems and constitutes a subject of study unto itself:



The problem before is to determine the amount of current in each of the four conductors connecting sources with loads. Current through each of the three lines connecting source to load is obvious, since these lines are each in series with their respective current source, and we know series-connected components must share the exact same current. Therefore we will annotate these three lines with arrows pointing in a direction compatible with the source arrows, and label these arrows with the same phasor quantities given as source values:



What is not so obvious is how much current exists in the return conductor. We can see below the source and below the resistors that the return conductor attaches to the source/load components at nodes, and we know Kirchhoff's Current Law therefore must apply. Sketching arrows at these points showing the three source current values, and arrows representing return current in the expected directions:



At either node, the three source current values must *add* to make the return current value. So, our Kirchhoff's Current Law equation will be as follows:

$$(25 \text{ A} \angle 0^\circ) + (25 \text{ A} \angle 120^\circ) + (25 \text{ A} \angle -120^\circ) = 0 \text{ A} \angle 0^\circ$$

Paradoxically, we see that the return conductor carries no current whatsoever because the phasor sum of these three current values is zero! As counter-intuitive as this result is, it is true for any such three-phase circuit where the individual line currents are precisely balanced (i.e. equal in magnitude and symmetrically shifted in phase). In fact, for a balanced three-phase circuit no return conductor is necessary at all – the only reason it exists is to carry current in instances where the sources' magnitudes and/or phase shifts change to become imbalanced, as may occur in a real electrical power system.

### 3.4 Concept summary

In summary, phasor notation for AC quantities such as voltage and current is complete only when accompanied by polarity marks (voltage) or arrows (current). Likewise, polarity marks and arrows have meaning only when accompanied by a phase angle. Either one by itself is ambiguous.

- Polarity symbols on an AC voltage source's terminals declare the potential difference between those terminals at any point in time where its voltage waveform is at the  $0^\circ$  mark (i.e. when its cosine wave is at maximum positive amplitude). In other words, the voltage polarity represented by these symbols are absolutely true only when the waveform is in its positive half-cycle.
- An arrow symbol on an AC current source declares the actual direction of (conventional) charge flow at any point in time where its current waveform reaches the  $0^\circ$  mark (i.e. when its cosine wave is at maximum positive amplitude). In other words, the direction of current represented by the arrow is absolutely true only when the waveform is in its positive half-cycle.
- The phase angle of the phasor (polar notation) declares the waveform's angle value at the precise moment in time when the *reference* waveform in that circuit is at its  $0^\circ$  mark.
- When analyzing an AC circuit, refer to the polarity and arrow symbols *as though the circuit were DC rather than AC* to correctly set up any Kirchhoff's Laws equations, using these annotation symbols to determine when to add quantities versus when to subtract quantities. Then, as you set up your equations for calculating total voltage or current, insert the known phasor quantities associated with those symbols and trust the result given to you by the arithmetic.

As confusing as this may seem at first, the goal of associating phasor quantities with polarity and direction symbols is to enable the use of DC circuit analytical tools and techniques for the analysis of AC circuits. The alternative is to regard AC circuits as wholly different from DC circuits, and to essentially set aside<sup>3</sup> all the mathematical tools you mastered for DC circuits.

---

<sup>3</sup>One of the philosophical priorities of science is to economize on the number of principles – in other words, never invent a new principle when an existing principle will do. Striving to describe as many phenomena using as few principles as possible allows us to more easily see similarities in our universe which we might otherwise miss by regarding each new phenomenon as abiding by its own rules. The genius of phasors is that they allow us to see AC circuits as sharing much in common with DC circuits. Alternative approaches, which are usually employed in an effort to avoid learning new types of math, end up complicating the concepts by making it appear as though AC circuits function entirely different from DC circuits.

## Chapter 4

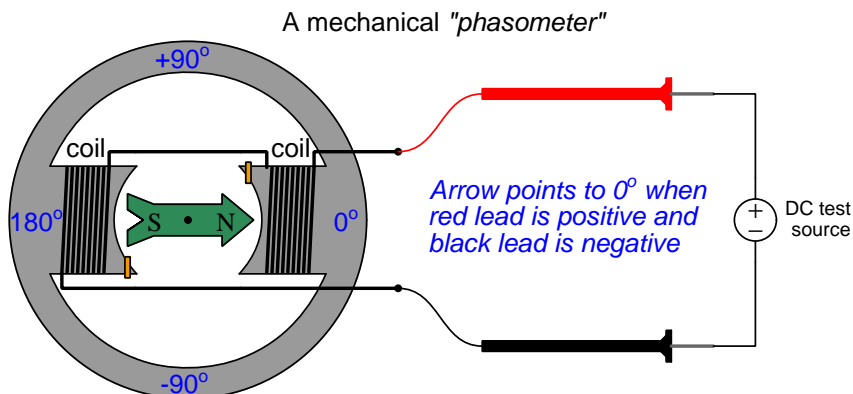
# Derivations and Technical References

This chapter is where you will find mathematical derivations too detailed to include in the tutorial, and/or tables and other technical reference material.

## 4.1 Phasometers

The concept of assigning a fixed phase angle value to an AC voltage or current which is continuously oscillating is a confusing one. In order to make better sense of this principle, we will introduce an hypothetical test instrument designed for the purpose of showing the phase angle of any measured AC quantity, which I call a *phasometer*.

Imagine building a small synchronous electric motor with an arrow-shaped magnetic rotor. We will wind the stator coils and magnetize the rotor such that the arrow points toward the  $0^\circ$  mark whenever the red lead is positive and the black lead is negative (connected to a DC test source). When connected to an AC source, this “phasometer” will spin in sync<sup>1</sup> with the AC generator powering the circuit, the rotating arrow keeping pace with the generator’s shaft<sup>2</sup>. The intent of this arrow is to serve as a mechanical analogue of an electrical phasor, pointing in the same direction as the phasor points for any sinusoidal voltage or current signal connected to the phasometer:



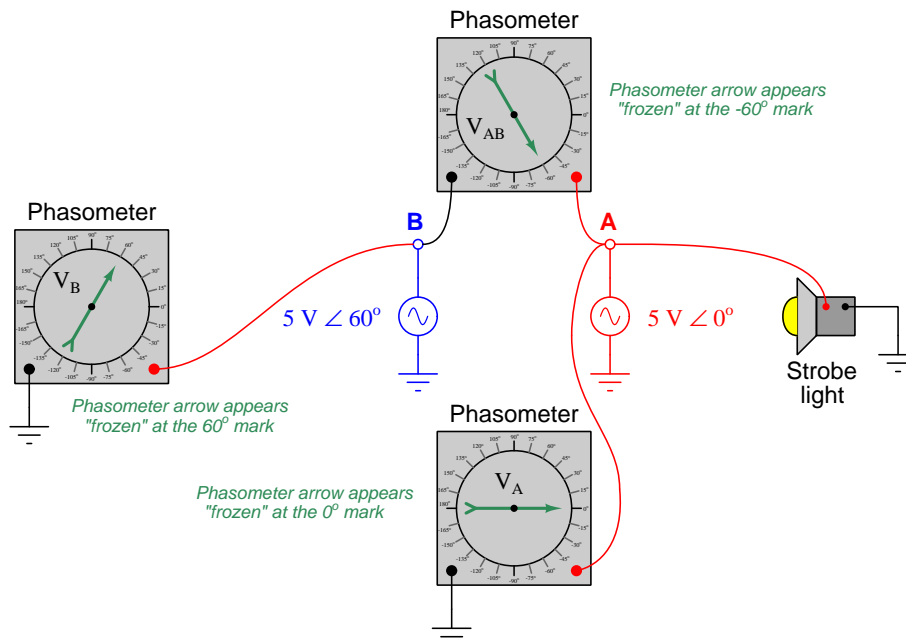
For a system frequency of 60 Hz as is standard for AC power systems in North America, the rotational speed of our phasometer’s rotor will be 3600 revolutions per minute – too fast for the rotating arrow to be anything but a blur of motion to an unaided human eye. Therefore, we will need to add one more component to the phasometer to make it practical: a *strobe light* connected to an AC voltage in the system to act as a synchronizing pulse. This strobe light will emit a flash of light just once per cycle of the AC waveform, and always at the same point in time (angle) within every cycle. Just as a strobe light (also called a “stroboscope”) makes a moving machine part<sup>3</sup> appear to “freeze” in time, this strobe light will visually “freeze” the arrow so we will be able to read its position with our eyes.

<sup>1</sup>An important detail is that our phasometer must always spin counter-clockwise in order to maintain proper phasor convention. We can ensure this will happen by including a pair of *shading coils* (small copper rings wrapped around one corner of each magnetic pole) in the stator structure. For a more detailed discussion of shading coils, refer to the section on AC induction motors (??) starting on page ??.

<sup>2</sup>This, of course, assumes the generator powering the system is also a two-pole machine like the phasometer. If the generator has more poles, the shaft speed will not match the phasometer’s rotor speed even though the phasometer will still faithfully represent the generator’s *cosine wave* rotation.

<sup>3</sup>Automobile mechanics may be familiar with a tool called a *timing light*, consisting of a strobe light connected to the engine in such a way that the light flashes every time the #1 cylinder spark plug fires. By viewing the marks etched into the engine’s crankshaft with this strobe light, the mechanic is able to check the ignition timing of the engine.

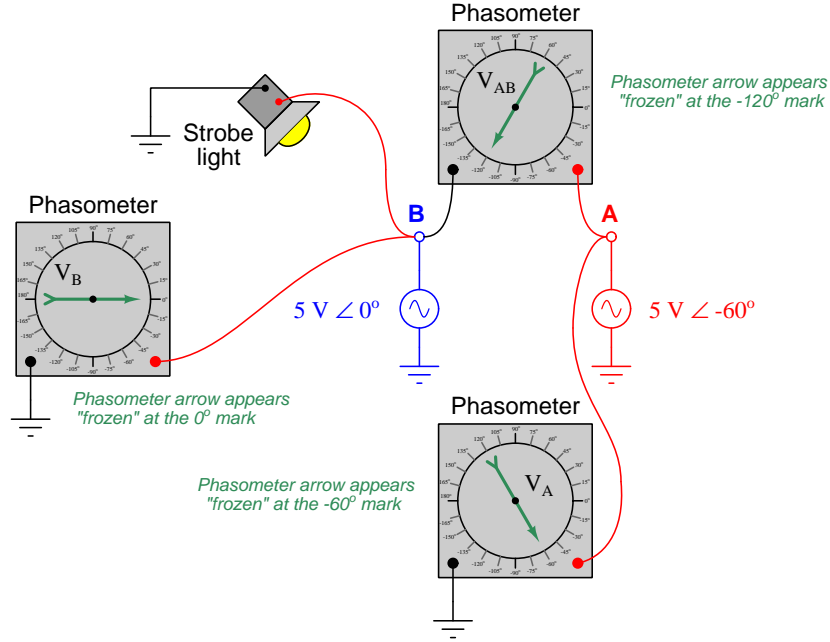
Now, imagine connecting three of these “phasometer” instruments to a pair of AC voltage sources that are at the same frequency (60 Hz) and have the same RMS voltage value (5 Volts) but are phase-shifted from one another by  $60^\circ$ . We will connect the synchronizing strobe light to voltage source A so that it flashes whenever that source reaches its positive peak voltage with reference to ground, and point the strobe light at the faces of all three phasometers so that their spinning pointers will appear to “freeze” at the exact same moment in time:



The phasometer connected to source A must register  $0^\circ$  because the strobe light flashes whenever source A hits its positive peak (at  $0^\circ$  on its cosine waveform), and the positive peak of a waveform is the precise point at which the phasometer arrow is designed to orient itself toward the  $0^\circ$  mark. The phasometer connected to source B will register  $60^\circ$  because that source is 60 degrees ahead of (leading) source A, having passed its positive peak already and now headed downward toward zero Volts at the point in time when the strobe flashes. The upper phasometer registers  $-60^\circ$  at that same time because the voltage it senses at point A with respect to point B is lagging behind source A by that much, the  $V_{AB}$  cosine wave heading toward its positive peak.

If we were to substitute a constant illumination source for the strobe light, we would see all three phasometers' arrows spinning counter-clockwise, revealing the true dynamic nature of the voltage phasors over time. Remember that these phasors are all *continuously moving* quantities, because the voltages they represent are sinusoidal functions of time. Only when we use a strobe light keyed to source A's positive peak do we see fixed-angle readings of  $V_A = 0^\circ$ ,  $V_B = 60^\circ$ , and  $V_{AB} = -60^\circ$ .

You may wonder what might happen if we keep the three phasometers connected to the same points, but change the strobe light's reference point. The answer to this question is that the new reference source voltage will now be our zero-degree definition, with every phasor's angle changing to match this new reference. We may see this effect here, using the same two sources and three phasometers, but moving the strobe light from source A to source B:



Having the strobe light keyed to source B makes it flash 60 degrees earlier than it did when it was keyed to source A, which in turn “freezes” the arrows on the faces of all three phasometers  $-60^\circ$  from where they used to be when source A was the time-reference. The following table compares the phasometer readings with both strobe light reference points:

Strobe reference	$V_A$	$V_B$	$V_{AB}$
Source A	$0^\circ$	$60^\circ$	$-60^\circ$
Source B	$-60^\circ$	$0^\circ$	$-120^\circ$

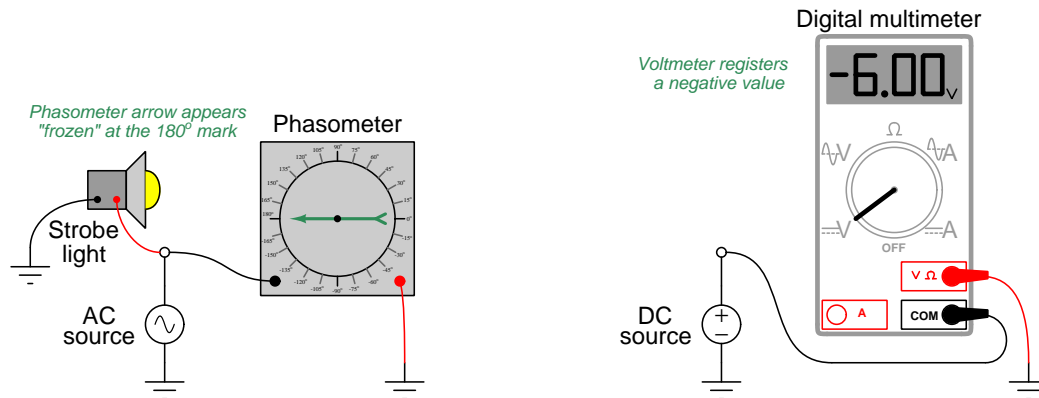
It is even possible to imagine connecting the strobe light to a special electronic timing circuit pulsing the light at 60 Hz (the AC system's frequency), synchronized to an atomic clock so as to keep ultra-accurate time. Such an arrangement would permit phasor angle measurements based on an absolute time reference (i.e. the atomic clock) rather than a relative time reference (i.e. one of the AC voltage sources). So long as the two AC sources maintained the same frequency and phase shift, the three phasometers would still be displaced  $60^\circ$  from each other, although it would only be by blind luck that any of them would point toward  $0^\circ$  (i.e. that any one voltage would happen to be precisely in-phase with the electronic timer circuit's 60 Hz pulse).

Interestingly, this technique of measuring AC power system phasors against an absolute time reference is a real practice and not just a textbook thought experiment. The electrical power industry refers to this as a *synchrophasor* measurement. Special instruments called *Phasor Measurement Units* or *PMUs* connect to various points within the power system to acquire real-time voltage and current measurements, each PMU also connected to a GPS (Global Positioning System) radio receiver to obtain an absolute time reference with sub-microsecond uncertainty. Each PMU uses the ultra-precise time signal from the GPS receiver to synchronize a “standard” cosine wave at the power system frequency such that this reference waveform is at its positive peak ( $0^\circ$ ) at the top of every second in time.

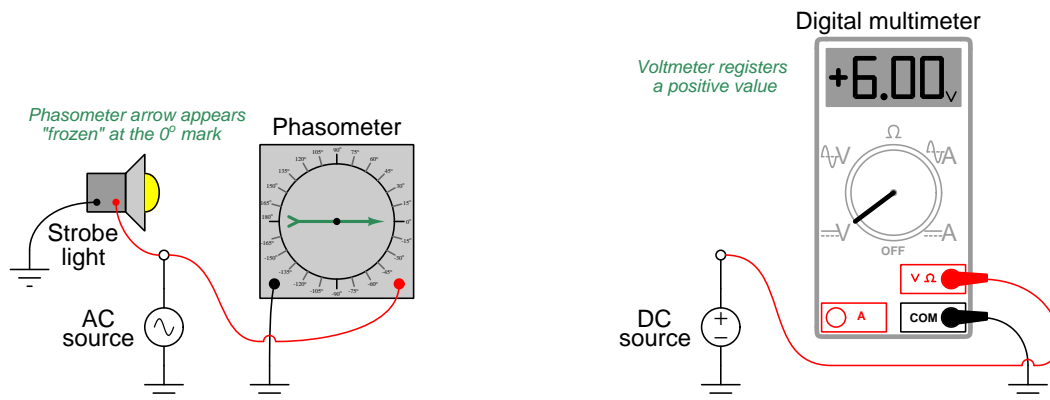
Synchrophasor technology makes it possible to perform simultaneous comparisons of phasor angles throughout a power system, which is useful for such tasks as analyzing frequency stability in a power grid or detecting “islanding” conditions where tripped circuit breakers segment a power grid and allow distributed generators to begin drifting out of sync with each other.



Remember that *phasor angles* are to AC quantities what *arithmetic signs* are to DC quantities. If a phasometer registers an angle of 180 degrees, it means the red lead is fully negative and the black lead is fully positive at the moment in time when the strobe light flashes. If a DC voltmeter registers a negative voltage, it means the red lead is negative and the black lead is positive at the time of the measurement:



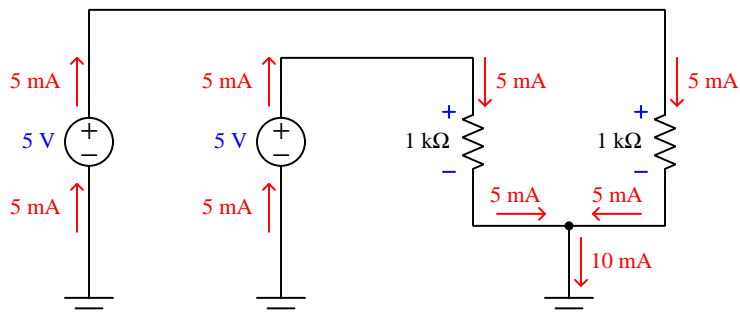
Reversing each instrument's test lead connections to the circuit will reverse its indication: flipping red and black leads on the phasometer will cause its indication to be  $0^\circ$  instead of  $180^\circ$ ; flipping red and black leads on the DC voltmeter will cause it to register a positive voltage instead of a negative voltage:



From these demonstrations we can see that the indication given by a measuring instrument depends as much on how that instrument connects to the circuit as it does on the circuit quantity itself. Likewise, a voltage or current value obtained in the course of analyzing a circuit depends as much on how we label the assumed polarity (or direction) of that quantity on the diagram as it does on the quantity itself.

To illustrate the importance of signs, assumed directions, and phasor angles in circuit analysis, we will consider two multi-source circuits: one DC and one AC. In each case we will explore how Kirchhoff's Current Law relates to currents at a similar node in each circuit, relating the current arrow directions to signs and phasor angles.

First, the DC circuit:



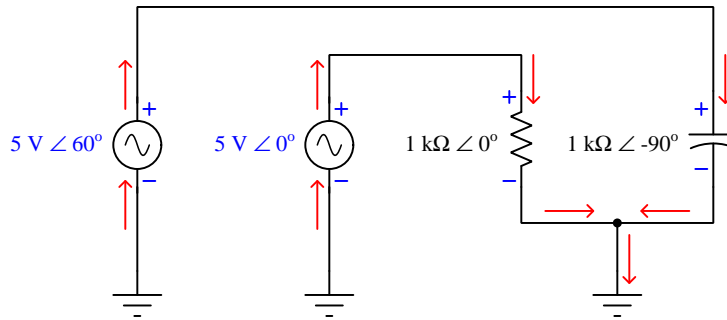
With each 1 kΩ resistor powered by its own 5 Volt DC source, the current through each of these resistors will be 5 milliAmperes in accordance with Ohm's Law ( $I = \frac{V}{R}$ ). The direction of each current is easily predicted by examining the polarity of each source (with current represented in conventional flow notation *exiting* the positive terminal and *entering* the negative terminal of each source) and/or by examining the polarity of the voltage drop across each resistor (with conventional-flow current *entering* the positive terminal and *exiting* the negative terminal of each load). At the node below the two resistors, these two currents join together to form a larger (10 milliamp) current headed toward ground. Kirchhoff's Current Law declares that the sum of all currents entering a node must equal the sum of all currents exiting that node. Here we see this is true: 5 milliAmperes in plus 5 milliAmperes in equals 10 milliAmperes out.

The voltage polarities and current directions in this DC circuit are all clear and unambiguous because the quantities are *constant* over time. Each power supply acts as an energy source and each resistor acts as an energy load, all the time. Our application of Kirchhoff's Current Law at the node is so obvious it hardly requires explanation: the flow of charge carriers (current) in and out must be in equilibrium.

With AC, however, we know things will not be so simple. AC circuit quantities are not constant over time as they are in DC circuits. Reactive (energy-storing) components such as inductors and capacitors play alternating roles as sources and loads, complicating their analysis. The good news in all of this is that phasor representations of voltage and current allow us to apply all the same fundamental principles we are accustomed to using for DC circuits (e.g. Ohm's Law, Kirchhoff's Voltage Law, Kirchhoff's Current Law, network theorems, etc.). In order to use these principles to calculate AC quantities, though, we must be careful in how we label them in the circuit.

Here, we will modify the circuit to include two AC power sources (phase-shifted by  $60^\circ$ ), and replace one of the  $1\text{ k}\Omega$  resistors with a capacitor exhibiting  $1\text{ k}\Omega$  of reactance at the system frequency. As in the DC circuit, each of the two loads sees the full 5 Volts of its respective source. Unlike the DC circuit, we must represent each of the voltage and impedance quantities in complex (phasor) form in order to apply Ohm's Law to calculate load currents.

One more thing we will do to this circuit before beginning any phasor arithmetic is to label each voltage and each current as we did in the DC circuit. Placing  $+$  and  $-$  symbols at the terminals of AC voltage sources, and drawing conventional-flow notation arrows showing *alternating current* through loads at first may seem absurd, since we know this is an AC circuit and so by definition these quantities lack fixed polarities and directions. However, these symbols will become very important to us because they serve to define what  $0^\circ$  means for each of the respective phasors. In other words, these polarities and arrows merely show us which way the voltages and currents are oriented *when each of those phasors is at its positive peak* – i.e. *when each phasor angle comes around to its own  $0^\circ$  mark*. As such, the polarities and arrows we draw do *not necessarily* represent simultaneous conditions. We will rely on the calculated phasor angles to tell us how far these quantities will actually be phase-shifted from each other at any given point in time:



First, calculating current through the resistor<sup>4</sup>, recalling that the impedance of a resistor has a 0 degree phase angle (i.e. no phase shift between voltage and current):

$$I_R = \frac{V_R}{Z_R} = \frac{5\text{ V} \angle 0^\circ}{1\text{ k}\Omega \angle 0^\circ} = 5\text{ mA} \angle 0^\circ$$

Next, calculating current through the capacitor<sup>5</sup>, recalling that the impedance for a capacitor has a  $-90$  degree phase angle because voltage across a capacitor lags 90 degrees behind current through a capacitor:

$$I_C = \frac{V_C}{Z_C} = \frac{5\text{ V} \angle 60^\circ}{1\text{ k}\Omega \angle -90^\circ} = 5\text{ mA} \angle 150^\circ$$

<sup>4</sup>When dividing two phasors in polar form, the arithmetic is as follows: divide the numerator's magnitude by the denominator's magnitude, then subtract the denominator's angle from the numerator's angle. The result in this case is 5 milliAmperes (5 Volts divided by 1000 Ohms) at an angle of 0 degrees (0 minus 0).

<sup>5</sup>The same arithmetic applies to this quotient as well: the current's magnitude is 5 Volts divided by 1000 Ohms, while the current's phase angle is 60 degrees minus a negative 90 degrees (150 degrees).

From the arrows sketched at the node we can see the total current headed toward ground must be equal to the sum of the two currents headed into the node, just as with the DC circuit. The difference here is that we must perform the addition using phasor quantities instead of scalar quantities in order to account for phase shift between the two currents:

$$I_{total} = I_R + I_C$$

$$I_{total} = 5 \text{ mA} \angle 0^\circ + 5 \text{ mA} \angle 150^\circ$$

Representing these current phasors in rectangular mode so we may sum their real and imaginary parts:

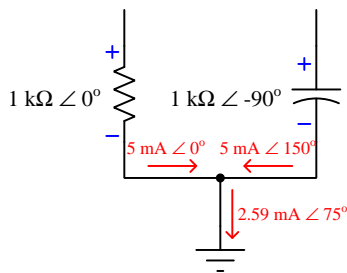
$$I_{total} = (5 + j0 \text{ mA}) + (-4.33 + j2.5 \text{ mA})$$

$$I_{total} = 0.67 + j2.5 \text{ mA}$$

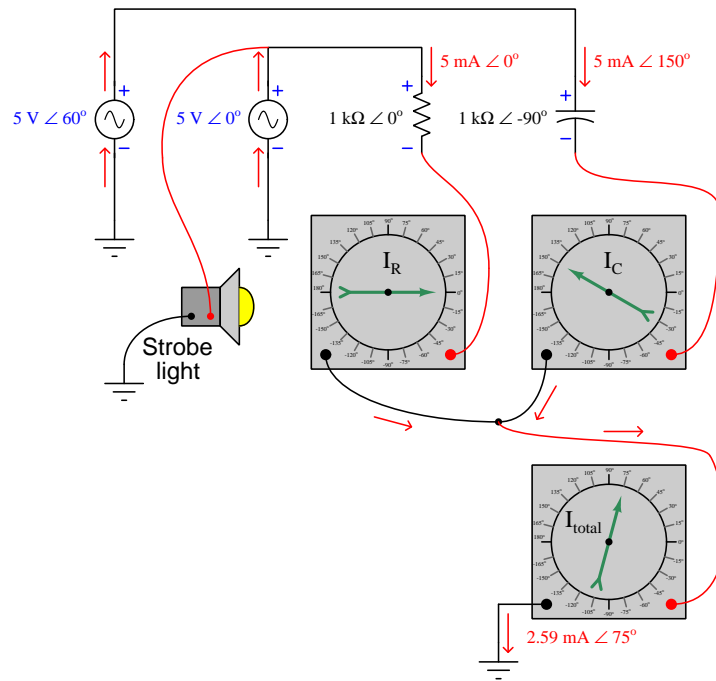
Converting the rectangular form into polar form:

$$I_{total} = 2.59 \text{ mA} \angle 75^\circ$$

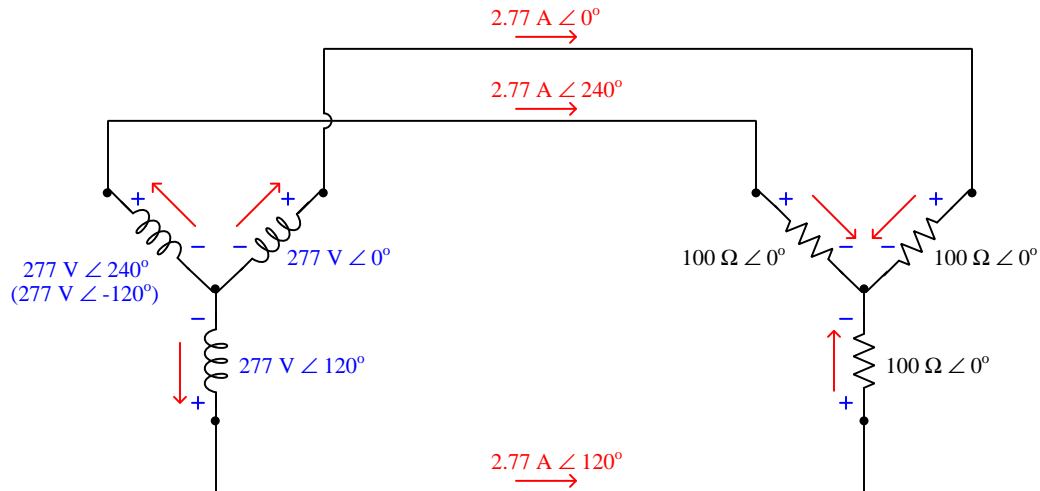
This result is highly non-intuitive. When we look at the circuit and see two 5 milliamp currents entering a node, we naturally expect a sum total of 10 milliAmperes to exit that node. However, that will only be true if those 5 mA quantities are *simultaneous*: i.e. if the two currents are 5 mA in magnitude *at the same point in time*. Since we happen to know these two currents are phase-shifted from each other by 150 degrees (nearly opposed to each other), they never reach their full strength at the same point in time, and so their sum is considerably less than 10 milliAmperes:



We may make more sense of this result by adding current-sensing phasometers to the circuit, their red and black test leads connected in such a way as to match the arrows' directions (current entering the red lead and exiting the black lead, treating the phasometer as a proper electrical *load*) as though these were DC ammeters being connected into a DC circuit:

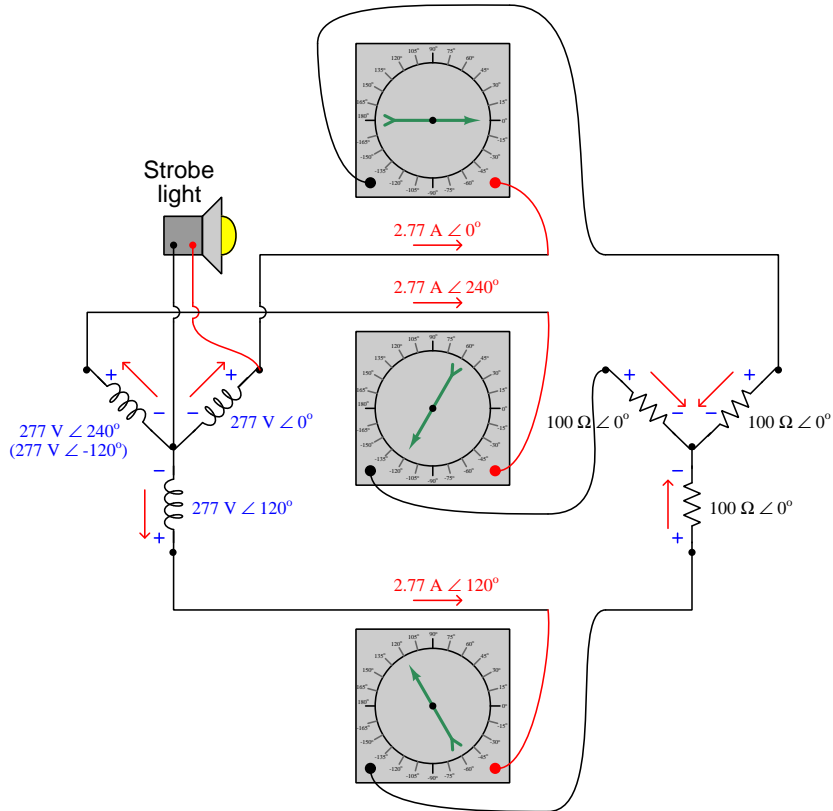


A very common and practical example of using “DC notation” to represent AC voltages and currents is in *three-phase* circuits where each power supply consists of three AC voltage sources phase-shifted 120 degrees from each other. Here, we see a “wye” connected generator supplying power to a “wye” connected load. Each of the three generator stator windings outputs 277 Volts, with the entirety of that voltage dropped across each of the load resistances:



Note the directions of the three currents (red arrows) in relation to the node at the center of the generator’s “wye” winding configuration, and also in relation to the node at the center of the resistive load’s “wye” configuration. At first this seems to be a direct violation of Kirchhoff’s Current Law: how is it possible to have three currents *all exiting a node with none entering* or to have three currents *all entering a node with none exiting*? Indeed, this would be impossible if the currents were *simultaneously* moving in those directions, but what we must remember is that each of the current arrows simply shows which way each current will be moving *when its respective phasor comes around to the 0° mark*. In other words, the arrows simply define what zero degrees means for each current. Similarly, the voltage polarities would suggest to anyone familiar with Kirchhoff’s Voltage Law in DC circuits that the voltage existing between any two of the power conductors between generator and load should be 0 Volts, reading the series-opposed sum of two 277 Volt sources. However, once again we must remind ourselves that the + and – symbols do not actually represent polarities at the same point in time, but rather serve to define the orientation of each voltage when its phasor happens to point toward 0°.

If we were to connect three current-sensing phasometers to measure the phase angle of each line current in this system (keying the strobe light to the voltage of the  $0^\circ$  generator winding), we would see the true phase relationships relative to that time reference. The directions of the current arrows and the orientation of the  $+$  and  $-$  polarity marks serve as references for how we shall connect the phasometers to the circuit ( $+$  on red,  $-$  on black; current entering red, exiting black):



We may use the three arrows at the load's center node to set up a Kirchhoff's Current Law equation (i.e. the sum of all currents at a node must equal zero), and confirm that the out-of-phase currents all "entering" that node do indeed amount to a sum of zero:

$$I_{node} = 2.77 \text{ A} \angle 0^\circ + 2.77 \text{ A} \angle 120^\circ + 2.77 \text{ A} \angle 240^\circ$$

Converting polar expressions into rectangular so we may see how they add together:

$$I_{node} = (2.77 + j0 \text{ A}) + (-1.385 + j2.399 \text{ A}) + (-1.385 - j2.399 \text{ A})$$

Combining all the real terms and combining all the imaginary terms:

$$I_{node} = (2.77 - 1.385 - 1.385) + j(0 + 2.399 - 2.399) \text{ A}$$

$$I_{node} = 0 + j0 \text{ A}$$

Looking closer at these results, we may determine which way the three currents were actually flowing at the time of the strobe's flash (when the upper-right generator winding is at its peak positive voltage). The first phasor has a real value of +2.77 Amperes at that instant in time, which represents 2.77 Amperes of actual current flowing in the actual direction of our sketched current arrow. The second and third phasors each have real values of -1.385 Amperes at that same instant in time, representing 1.385 Amperes each flowing *against* the direction of our sketched arrows (i.e. leaving that node). Thus, we can see that the "snapshot" view of currents at the time of the strobe's flash makes complete sense: one current of 2.77 Amperes entering the node and two currents of 1.385 Amperes each exiting the node. Viewed at any instant in time, the principles of DC circuits hold true. It is only when we sketch polarity marks and draw arrows representing voltages and currents *reaching their positive peak values at different times* that the annotations seem to violate basic principles of circuit analysis.





## Chapter 5

# Questions

This learning module, along with all others in the ModEL collection, is designed to be used in an inverted instructional environment where students independently read<sup>1</sup> the tutorials and attempt to answer questions on their own *prior* to the instructor's interaction with them. In place of lecture<sup>2</sup>, the instructor engages with students in Socratic-style dialogue, probing and challenging their understanding of the subject matter through inquiry.

Answers are not provided for questions within this chapter, and this is by design. Solved problems may be found in the Tutorial and Derivation chapters, instead. The goal here is *independence*, and this requires students to be challenged in ways where others cannot think for them. Remember that you always have the tools of *experimentation* and *computer simulation* (e.g. SPICE) to explore concepts!

The following lists contain ideas for Socratic-style questions and challenges. Upon inspection, one will notice a strong theme of *metacognition* within these statements: they are designed to foster a regular habit of examining one's own thoughts as a means toward clearer thinking. As such these sample questions are useful both for instructor-led discussions as well as for self-study.

---

<sup>1</sup>Technical reading is an essential academic skill for any technical practitioner to possess for the simple reason that the most comprehensive, accurate, and useful information to be found for developing technical competence is in textual form. Technical careers in general are characterized by the need for continuous learning to remain current with standards and technology, and therefore any technical practitioner who cannot read well is handicapped in their professional development. An excellent resource for educators on improving students' reading prowess through intentional effort and strategy is the book *Reading For Understanding – How Reading Apprenticeship Improves Disciplinary Learning in Secondary and College Classrooms* by Ruth Schoenbach, Cynthia Greenleaf, and Lynn Murphy.

<sup>2</sup>Lecture is popular as a teaching method because it is easy to implement: any reasonably articulate subject matter expert can talk to students, even with little preparation. However, it is also quite problematic. A good lecture always makes complicated concepts seem easier than they are, which is bad for students because it instills a false sense of confidence in their own understanding; reading and re-articulation requires more cognitive effort and serves to verify comprehension. A culture of teaching-by-lecture fosters a debilitating dependence upon direct personal instruction, whereas the challenges of modern life demand independent and critical thought made possible only by gathering information and perspectives from afar. Information presented in a lecture is ephemeral, easily lost to failures of memory and dictation; text is forever, and may be referenced at any time.

## GENERAL CHALLENGES FOLLOWING TUTORIAL READING

- Summarize as much of the text as you can in one paragraph of your own words. A helpful strategy is to explain ideas as you would for an intelligent child: as simple as you can without compromising too much accuracy.
- Simplify a particular section of the text, for example a paragraph or even a single sentence, so as to capture the same fundamental idea in fewer words.
- Where did the text make the most sense to you? What was it about the text's presentation that made it clear?
- Identify where it might be easy for someone to misunderstand the text, and explain why you think it could be confusing.
- Identify any new concept(s) presented in the text, and explain in your own words.
- Identify any familiar concept(s) such as physical laws or principles applied or referenced in the text.
- Devise a proof of concept experiment demonstrating an important principle, physical law, or technical innovation represented in the text.
- Devise an experiment to disprove a plausible misconception.
- Did the text reveal any misconceptions you might have harbored? If so, describe the misconception(s) and the reason(s) why you now know them to be incorrect.
- Describe any useful problem-solving strategies applied in the text.
- Devise a question of your own to challenge a reader's comprehension of the text.

## GENERAL FOLLOW-UP CHALLENGES FOR ASSIGNED PROBLEMS

- Identify where any fundamental laws or principles apply to the solution of this problem, especially before applying any mathematical techniques.
- Devise a thought experiment to explore the characteristics of the problem scenario, applying known laws and principles to mentally model its behavior.
- Describe in detail your own strategy for solving this problem. How did you identify and organized the given information? Did you sketch any diagrams to help frame the problem?
- Is there more than one way to solve this problem? Which method seems best to you?
- Show the work you did in solving this problem, even if the solution is incomplete or incorrect.
- What would you say was the most challenging part of this problem, and why was it so?
- Was any important information missing from the problem which you had to research or recall?
- Was there any extraneous information presented within this problem? If so, what was it and why did it not matter?
- Examine someone else's solution to identify where they applied fundamental laws or principles.
- Simplify the problem from its given form and show how to solve this simpler version of it. Examples include eliminating certain variables or conditions, altering values to simpler (usually whole) numbers, applying a limiting case (i.e. altering a variable to some extreme or ultimate value).
- For quantitative problems, identify the real-world meaning of all intermediate calculations: their units of measurement, where they fit into the scenario at hand. Annotate any diagrams or illustrations with these calculated values.
- For quantitative problems, try approaching it qualitatively instead, thinking in terms of “increase” and “decrease” rather than definite values.
- For qualitative problems, try approaching it quantitatively instead, proposing simple numerical values for the variables.
- Were there any assumptions you made while solving this problem? Would your solution change if one of those assumptions were altered?
- Identify where it would be easy for someone to go astray in attempting to solve this problem.
- Formulate your own problem based on what you learned solving this one.

## GENERAL FOLLOW-UP CHALLENGES FOR EXPERIMENTS OR PROJECTS

- In what way(s) was this experiment or project easy to complete?
- Identify some of the challenges you faced in completing this experiment or project.

- Show how thorough documentation assisted in the completion of this experiment or project.
- Which fundamental laws or principles are key to this system's function?
- Identify any way(s) in which one might obtain false or otherwise misleading measurements from test equipment in this system.
- What will happen if (component  $X$ ) fails (open/shorted/etc.)?
- What would have to occur to make this system unsafe?

## 5.1 Conceptual reasoning

These questions are designed to stimulate your analytic and synthetic thinking<sup>3</sup>. In a Socratic discussion with your instructor, the goal is for these questions to prompt an extended dialogue where assumptions are revealed, conclusions are tested, and understanding is sharpened. Your instructor may also pose additional questions based on those assigned, in order to further probe and refine your conceptual understanding.

Questions that follow are presented to challenge and probe your understanding of various concepts presented in the tutorial. These questions are intended to serve as a guide for the Socratic dialogue between yourself and the instructor. Your instructor’s task is to ensure you have a sound grasp of these concepts, and the questions contained in this document are merely a means to this end. Your instructor may, at his or her discretion, alter or substitute questions for the benefit of tailoring the discussion to each student’s needs. The only absolute requirement is that each student is challenged and assessed at a level equal to or greater than that represented by the documented questions.

It is far more important that you convey your *reasoning* than it is to simply convey a correct answer. For this reason, you should refrain from researching other information sources to answer questions. What matters here is that *you* are doing the thinking. If the answer is incorrect, your instructor will work with you to correct it through proper reasoning. A correct answer without an adequate explanation of how you derived that answer is unacceptable, as it does not aid the learning or assessment process.

You will note a conspicuous lack of answers given for these conceptual questions. Unlike standard textbooks where answers to every other question are given somewhere toward the back of the book, here in these learning modules students must rely on other means to check their work. The best way by far is to debate the answers with fellow students and also with the instructor during the Socratic dialogue sessions intended to be used with these learning modules. Reasoning through challenging questions with other people is an excellent tool for developing strong reasoning skills.

Another means of checking your conceptual answers, where applicable, is to use circuit simulation software to explore the effects of changes made to circuits. For example, if one of these conceptual questions challenges you to predict the effects of altering some component parameter in a circuit, you may check the validity of your work by simulating that same parameter change within software and seeing if the results agree.

---

<sup>3</sup>*Analytical* thinking involves the “disassembly” of an idea into its constituent parts, analogous to dissection. *Synthetic* thinking involves the “assembly” of a new idea comprised of multiple concepts, analogous to construction. Both activities are high-level cognitive skills, extremely important for effective problem-solving, necessitating frequent challenge and regular practice to fully develop.

### 5.1.1 Reading outline and reflections

*“Reading maketh a full man; conference a ready man; and writing an exact man”* – Francis Bacon

Francis Bacon’s advice is a blueprint for effective education: reading provides the learner with knowledge, writing focuses the learner’s thoughts, and critical dialogue equips the learner to confidently communicate and apply their learning. Independent acquisition and application of knowledge is a powerful skill, well worth the effort to cultivate. To this end, students should read these educational resources closely, journal their own reflections on the reading, and discuss in detail their findings with classmates and instructor(s). You should be able to do all of the following after reading any instructional text:

☑ Briefly **SUMMARIZE THE TEXT** in the form of a journal entry documenting your learning as you progress through the course of study. Share this summary in dialogue with your classmates and instructor. Journaling is an excellent self-test of thorough reading because you cannot clearly express what you have not read or did not comprehend.

☑ Demonstrate **ACTIVE READING STRATEGIES**, including verbalizing your impressions as you read, simplifying long passages to convey the same ideas using fewer words, annotating text and illustrations with your own interpretations, working through mathematical examples shown in the text, cross-referencing passages with relevant illustrations and/or other passages, identifying problem-solving strategies applied by the author, etc. Technical reading is a special case of problem-solving, and so these strategies work precisely because they help solve any problem: paying attention to your own thoughts (metacognition), eliminating unnecessary complexities, identifying what makes sense, paying close attention to details, drawing connections between separated facts, and noting the successful strategies of others.

☑ Identify **IMPORTANT THEMES**, especially **GENERAL LAWS** and **PRINCIPLES**, expounded in the text and express them in the simplest of terms as though you were teaching an intelligent child. This emphasizes connections between related topics and develops your ability to communicate complex ideas to anyone.

☑ Form **YOUR OWN QUESTIONS** based on the reading, and then pose them to your instructor and classmates for their consideration. Anticipate both correct and incorrect answers, the incorrect answer(s) assuming one or more plausible misconceptions. This helps you view the subject from different perspectives to grasp it more fully.

☑ Devise **EXPERIMENTS** to test claims presented in the reading, or to disprove misconceptions. Predict possible outcomes of these experiments, and evaluate their meanings: what result(s) would confirm, and what would constitute disproof? Running mental simulations and evaluating results is essential to scientific and diagnostic reasoning.

☑ Specifically identify any points you found **CONFUSING**. The reason for doing this is to help diagnose misconceptions and overcome barriers to learning.

### 5.1.2 Foundational concepts

Correct analysis and diagnosis of electric circuits begins with a proper understanding of some basic concepts. The following is a list of some important concepts referenced in this module's full tutorial. Define each of them in your own words, and be prepared to illustrate each of these concepts with a description of a practical example and/or a live demonstration.

Energy

Conservation of Energy

Polarity

Thought experiments as a problem-solving strategy

Phasor

Phase angle

Complex numbers

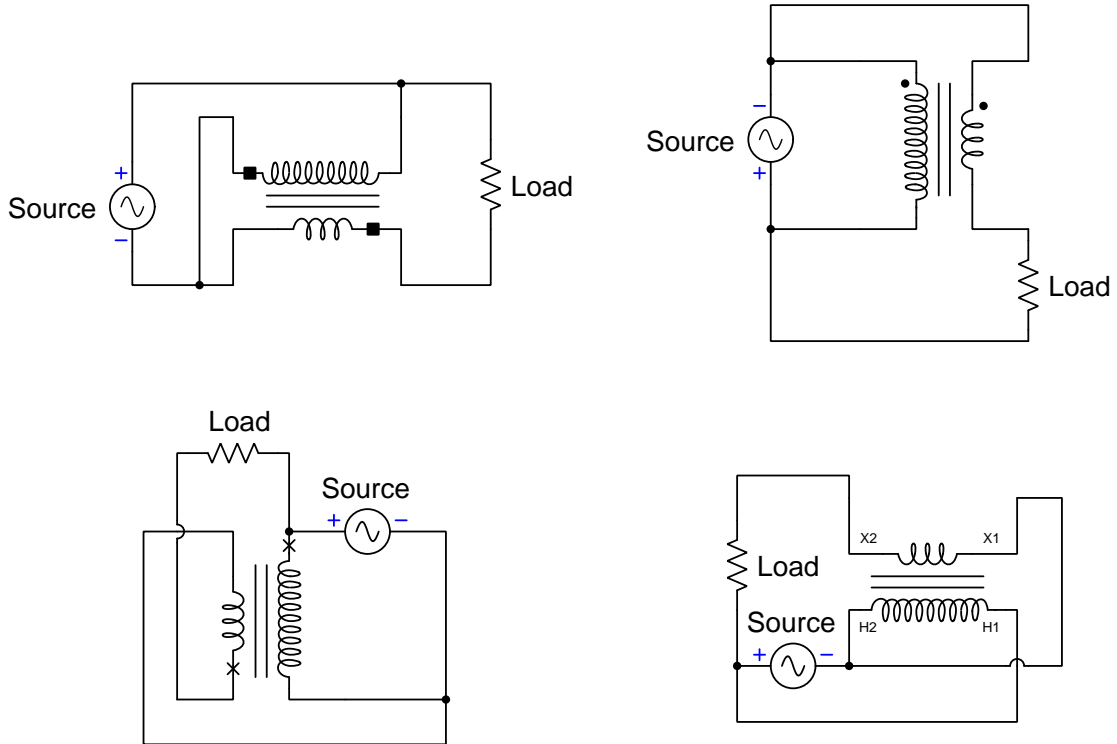
Kirchhoff's Voltage Law

Kirchhoff's Current Law



### 5.1.3 Boost/buck transformer circuits

Identify which of these transformer circuits will *boost* voltage to the load, and which will *buck* voltage to the load, annotating each winding of the transformer as well as the load with + and – polarity marks (denoting actual voltage polarity at some instant in time):



#### Challenges

- A profitable problem-solving strategy for many conceptual or qualitative problems is to add some numerical quantities to it. Try that with this problem, and explain how this extra information may be helpful to finding the solution.
- After adding some numerical values, calculate the amount and direction of current through each of the transformer's windings. You should notice something very interesting!

## 5.2 Quantitative reasoning

These questions are designed to stimulate your computational thinking. In a Socratic discussion with your instructor, the goal is for these questions to reveal your mathematical approach(es) to problem-solving so that good technique and sound reasoning may be reinforced. Your instructor may also pose additional questions based on those assigned, in order to observe your problem-solving firsthand.

Mental arithmetic and estimations are strongly encouraged for all calculations, because without these abilities you will be unable to readily detect errors caused by calculator misuse (e.g. keystroke errors).

You will note a conspicuous lack of answers given for these quantitative questions. Unlike standard textbooks where answers to every other question are given somewhere toward the back of the book, here in these learning modules students must rely on other means to check their work. My advice is to use circuit simulation software such as SPICE to check the correctness of quantitative answers. Refer to those learning modules within this collection focusing on SPICE to see worked examples which you may use directly as practice problems for your own study, and/or as templates you may modify to run your own analyses and generate your own practice problems.

Completely worked example problems found in the Tutorial may also serve as “test cases<sup>4</sup>” for gaining proficiency in the use of circuit simulation software, and then once that proficiency is gained you will never need to rely<sup>5</sup> on an answer key!

---

<sup>4</sup>In other words, set up the circuit simulation software to analyze the same circuit examples found in the Tutorial. If the simulated results match the answers shown in the Tutorial, it confirms the simulation has properly run. If the simulated results disagree with the Tutorial’s answers, something has been set up incorrectly in the simulation software. Using every Tutorial as practice in this way will quickly develop proficiency in the use of circuit simulation software.

<sup>5</sup>This approach is perfectly in keeping with the instructional philosophy of these learning modules: *teaching students to be self-sufficient thinkers*. Answer keys can be useful, but it is even more useful to your long-term success to have a set of tools on hand for checking your own work, because once you have left school and are on your own, there will no longer be “answer keys” available for the problems you will have to solve.

### 5.2.1 Miscellaneous physical constants

Note: constants shown in **bold** type are *exact*, not approximations. Values inside of parentheses show one standard deviation ( $\sigma$ ) of uncertainty in the final digits: for example, the magnetic permeability of free space value given as  $1.25663706212(19) \times 10^{-6}$  H/m represents a center value (i.e. the location parameter) of  $1.25663706212 \times 10^{-6}$  Henrys per meter with one standard deviation of uncertainty equal to  $0.0000000000019 \times 10^{-6}$  Henrys per meter.

Avogadro's number ( $N_A$ ) = **6.02214076**  $\times 10^{23}$  **per mole** (mol<sup>-1</sup>)

Boltzmann's constant ( $k$ ) = **1.380649**  $\times 10^{-23}$  **Joules per Kelvin** (J/K)

Electronic charge ( $e$ ) = **1.602176634**  $\times 10^{-19}$  **Coulomb** (C)

Faraday constant ( $F$ ) = **96,485.33212...**  $\times 10^4$  **Coulombs per mole** (C/mol)

Magnetic permeability of free space ( $\mu_0$ ) =  $1.25663706212(19) \times 10^{-6}$  Henrys per meter (H/m)

Electric permittivity of free space ( $\epsilon_0$ ) =  $8.8541878128(13) \times 10^{-12}$  Farads per meter (F/m)

Characteristic impedance of free space ( $Z_0$ ) =  $376.730313668(57)$  Ohms ( $\Omega$ )

Gravitational constant ( $G$ ) =  $6.67430(15) \times 10^{-11}$  cubic meters per kilogram-seconds squared (m<sup>3</sup>/kg-s<sup>2</sup>)

Molar gas constant ( $R$ ) = **8.314462618...** **Joules per mole-Kelvin** (J/mol-K) = 0.08205746(14) liters-atmospheres per mole-Kelvin

Planck constant ( $h$ ) = **6.62607015**  $\times 10^{-34}$  **joule-seconds** (J-s)

Stefan-Boltzmann constant ( $\sigma$ ) = **5.670374419...**  $\times 10^{-8}$  **Watts per square meter-Kelvin<sup>4</sup>** (W/m<sup>2</sup>·K<sup>4</sup>)

Speed of light in a vacuum ( $c$ ) = **299,792,458 meters per second** (m/s) = 186282.4 miles per second (mi/s)

Note: All constants taken from NIST data "Fundamental Physical Constants – Complete Listing", from <http://physics.nist.gov/constants>, National Institute of Standards and Technology (NIST), 2018 CODATA Adjustment.

### 5.2.2 Introduction to spreadsheets

A powerful computational tool you are encouraged to use in your work is a *spreadsheet*. Available on most personal computers (e.g. Microsoft Excel), *spreadsheet* software performs numerical calculations based on number values and formulae entered into cells of a grid. This grid is typically arranged as lettered columns and numbered rows, with each cell of the grid identified by its column/row coordinates (e.g. cell B3, cell A8). Each cell may contain a string of text, a number value, or a mathematical formula. The spreadsheet automatically updates the results of all mathematical formulae whenever the entered number values are changed. This means it is possible to set up a spreadsheet to perform a series of calculations on entered data, and those calculations will be re-done by the computer any time the data points are edited in any way.

For example, the following spreadsheet calculates average speed based on entered values of distance traveled and time elapsed:

	A	B	C	D
1	Distance traveled	46.9	Kilometers	
2	Time elapsed	1.18	Hours	
3	Average speed	= B1 / B2	km/h	
4				
5				

Text labels contained in cells A1 through A3 and cells C1 through C3 exist solely for readability and are not involved in any calculations. Cell B1 contains a sample distance value while cell B2 contains a sample time value. The formula for computing speed is contained in cell B3. Note how this formula begins with an “equals” symbol (=), references the values for distance and speed by lettered column and numbered row coordinates (B1 and B2), and uses a forward slash symbol for division (/). The coordinates B1 and B2 function as *variables*<sup>6</sup> would in an algebraic formula.

When this spreadsheet is executed, the numerical value 39.74576 will appear in cell B3 rather than the formula = B1 / B2, because 39.74576 is the computed speed value given 46.9 kilometers traveled over a period of 1.18 hours. If a different numerical value for distance is entered into cell B1 or a different value for time is entered into cell B2, cell B3’s value will automatically update. All you need to do is set up the given values and any formulae into the spreadsheet, and the computer will do all the calculations for you.

Cell B3 may be referenced by other formulae in the spreadsheet if desired, since it is a variable just like the given values contained in B1 and B2. This means it is possible to set up an entire chain of calculations, one dependent on the result of another, in order to arrive at a final value. The arrangement of the given data and formulae need not follow any pattern on the grid, which means you may place them anywhere.

---

<sup>6</sup>Spreadsheets may also provide means to attach text labels to cells for use as variable names (Microsoft Excel simply calls these labels “names”), but for simple spreadsheets such as those shown here it’s usually easier just to use the standard coordinate naming for each cell.

Common<sup>7</sup> arithmetic operations available for your use in a spreadsheet include the following:

- Addition (+)
- Subtraction (-)
- Multiplication (\*)
- Division (/)
- Powers (^)
- Square roots (sqrt())
- Logarithms (ln() , log10())

Parentheses may be used to ensure<sup>8</sup> proper order of operations within a complex formula. Consider this example of a spreadsheet implementing the *quadratic formula*, used to solve for roots of a polynomial expression in the form of  $ax^2 + bx + c$ :

$$x = \frac{-b \pm \sqrt{b^2 - 4ac}}{2a}$$

	A	B
1	x_1	= (-B4 + sqrt((B4^2) - (4*B3*B5))) / (2*B3)
2	x_2	= (-B4 - sqrt((B4^2) - (4*B3*B5))) / (2*B3)
3	a =	9
4	b =	5
5	c =	-2

This example is configured to compute roots<sup>9</sup> of the polynomial  $9x^2 + 5x - 2$  because the values of 9, 5, and  $-2$  have been inserted into cells B3, B4, and B5, respectively. Once this spreadsheet has been built, though, it may be used to calculate the roots of *any* second-degree polynomial expression simply by entering the new  $a$ ,  $b$ , and  $c$  coefficients into cells B3 through B5. The numerical values appearing in cells B1 and B2 will be automatically updated by the computer immediately following any changes made to the coefficients.

<sup>7</sup>Modern spreadsheet software offers a bewildering array of mathematical functions you may use in your computations. I recommend you consult the documentation for your particular spreadsheet for information on operations other than those listed here.

<sup>8</sup>Spreadsheet programs, like text-based programming languages, are designed to follow standard order of operations by default. However, my personal preference is to use parentheses even where strictly unnecessary just to make it clear to any other person viewing the formula what the intended order of operations is.

<sup>9</sup>Reviewing some algebra here, a *root* is a value for  $x$  that yields an overall value of zero for the polynomial. For this polynomial ( $9x^2 + 5x - 2$ ) the two roots happen to be  $x = 0.269381$  and  $x = -0.82494$ , with these values displayed in cells B1 and B2, respectively upon execution of the spreadsheet.

Alternatively, one could break up the long quadratic formula into smaller pieces like this:

$$y = \sqrt{b^2 - 4ac} \quad z = 2a$$

$$x = \frac{-b \pm y}{z}$$

	<b>A</b>	<b>B</b>	<b>C</b>
<b>1</b>	x_1	= (-B4 + C1) / C2	= sqrt( (B4^2) - (4*B3*B5) )
<b>2</b>	x_2	= (-B4 - C1) / C2	= 2*B3
<b>3</b>	a =	9	
<b>4</b>	b =	5	
<b>5</b>	c =	-2	

Note how the square-root term ( $y$ ) is calculated in cell C1, and the denominator term ( $z$ ) in cell C2. This makes the two final formulae (in cells B1 and B2) simpler to interpret. The positioning of all these cells on the grid is completely arbitrary<sup>10</sup> – all that matters is that they properly reference each other in the formulae.

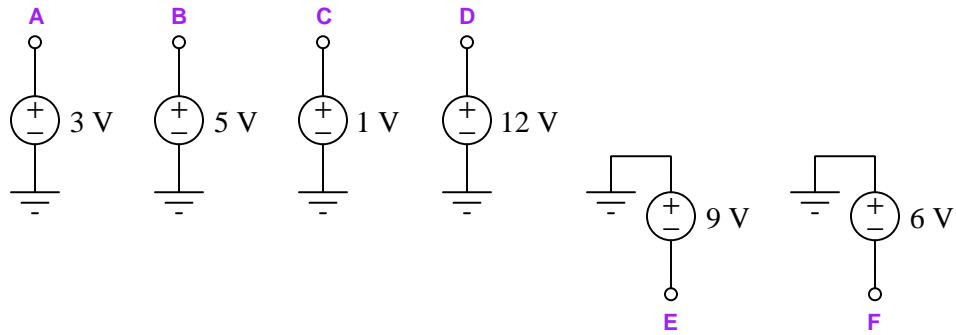
Spreadsheets are particularly useful for situations where the same set of calculations representing a circuit or other system must be repeated for different initial conditions. The power of a spreadsheet is that it automates what would otherwise be a tedious set of calculations. One specific application of this is to simulate the effects of various components within a circuit failing with abnormal values (e.g. a shorted resistor simulated by making its value nearly zero; an open resistor simulated by making its value extremely large). Another application is analyzing the behavior of a circuit design given new components that are out of specification, and/or aging components experiencing drift over time.

---

<sup>10</sup>My personal preference is to locate all the “given” data in the upper-left cells of the spreadsheet grid (each data point flanked by a sensible name in the cell to the left and units of measurement in the cell to the right as illustrated in the first distance/time spreadsheet example), sometimes coloring them in order to clearly distinguish which cells contain entered data versus which cells contain computed results from formulae. I like to place all formulae in cells below the given data, and try to arrange them in logical order so that anyone examining my spreadsheet will be able to figure out *how* I constructed a solution. This is a general principle I believe all computer programmers should follow: *document and arrange your code to make it easy for other people to learn from it.*

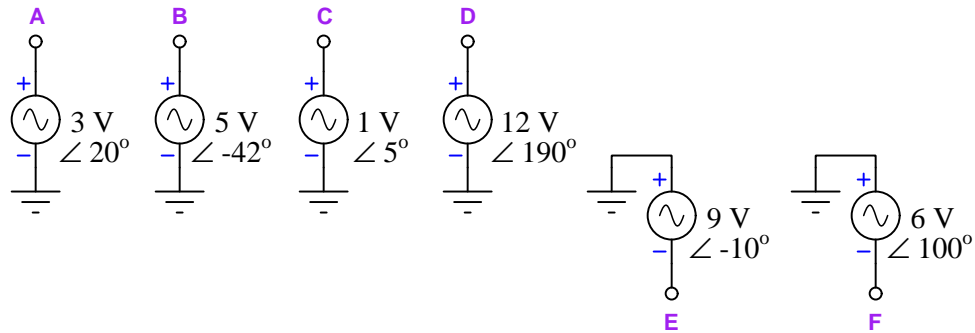
### 5.2.3 Voltages between specified points

Calculate the amount of voltage as registered by a digital voltmeter when its test leads are connected to the specified points (red lead on the first point and black lead on the second), being sure to specify the mathematical sign as well as the magnitude of the voltmeter's measurement. A single-subscript voltage measurement refers to one taken with the red lead on the specified point and the black lead on ground:



- $V_{DB} =$
- $V_{AE} =$
- $V_{CF} =$
- $V_{CA} =$
- $V_{FE} =$
- $V_{EB} =$
- $V_E =$

Now, do the same for these AC voltage sources (assuming all at the same frequency), being sure to specify the phase angle of the measured voltage as well as its magnitude:



- $V_{DB} =$
- $V_{AE} =$
- $V_{CF} =$
- $V_{CA} =$
- $V_{FE} =$
- $V_{EB} =$
- $V_E =$

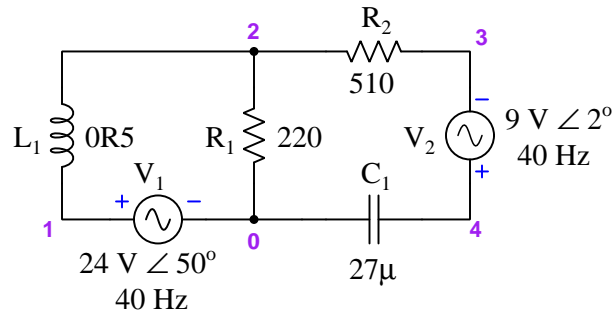
#### Challenges

- The black-colored test lead of a voltmeter may be thought of as the “reference” and the red test lead as the “measurement”, such that the measured voltage is an expression of how much more (or less) electrical potential is at the red lead compared to the black. Relate this principle to your answers here.
- Sketch phasor diagrams showing any of these resultant voltages.



### 5.2.4 Incomplete SPICE simulation

Below is a schematic diagram for an AC circuit followed by an incomplete SPICE netlist:



```
* Netlist
v1 1 0 ac 24 50
v2 4 3 ac 9 2
r1 2 0 220
r2 2 3 510
c1 4 0 27e-6
l1 2 1 0.5
.control
set units=degrees
.endc
.ac lin 1 40 40
```

Add more lines to this netlist instructing the computer to calculate voltage across resistor  $R_1$  (red lead on top, black lead on bottom) as well as voltage across resistor  $R_2$  (red lead on right, black lead on left).

#### Challenges

- Run this simulation using SPICE and show the results for  $V_{R1}$  and  $V_{R2}$ .

### 5.3 Diagnostic reasoning

These questions are designed to stimulate your deductive and inductive thinking, where you must apply general principles to specific scenarios (deductive) and also derive conclusions about the failed circuit from specific details (inductive). In a Socratic discussion with your instructor, the goal is for these questions to reinforce your recall and use of general circuit principles and also challenge your ability to integrate multiple symptoms into a sensible explanation of what's wrong in a circuit. Your instructor may also pose additional questions based on those assigned, in order to further challenge and sharpen your diagnostic abilities.

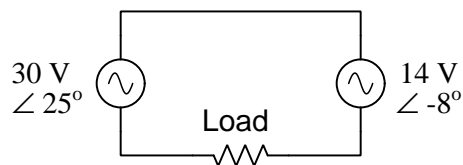
As always, your goal is to fully *explain* your analysis of each problem. Simply obtaining a correct answer is not good enough – you must also demonstrate sound reasoning in order to successfully complete the assignment. Your instructor's responsibility is to probe and challenge your understanding of the relevant principles and analytical processes in order to ensure you have a strong foundation upon which to build further understanding.

You will note a conspicuous lack of answers given for these diagnostic questions. Unlike standard textbooks where answers to every other question are given somewhere toward the back of the book, here in these learning modules students must rely on other means to check their work. The best way by far is to debate the answers with fellow students and also with the instructor during the Socratic dialogue sessions intended to be used with these learning modules. Reasoning through challenging questions with other people is an excellent tool for developing strong reasoning skills.

Another means of checking your diagnostic answers, where applicable, is to use circuit simulation software to explore the effects of faults placed in circuits. For example, if one of these diagnostic questions requires that you predict the effect of an open or a short in a circuit, you may check the validity of your work by simulating that same fault (substituting a very high resistance in place of that component for an open, and substituting a very low resistance for a short) within software and seeing if the results agree.

#### 5.3.1 Find the mistake(s)

Suppose a student calculates the load voltage in this circuit to be 19.787 Volts  $\angle$  47.666°:



Explain what (may) be incorrect about this calculated load voltage.

#### Challenges

- Alter the given parameters of the circuit so that a definitive load voltage may be calculated.



## Appendix A

# Problem-Solving Strategies

The ability to solve complex problems is arguably one of the most valuable skills one can possess, and this skill is particularly important in any science-based discipline.

- Study principles, not procedures. Don't be satisfied with merely knowing how to compute solutions – learn *why* those solutions work.
- Identify what it is you need to solve, identify all relevant data, identify all units of measurement, identify any general principles or formulae linking the given information to the solution, and then identify any “missing pieces” to a solution. Annotate all diagrams with this data.
- Sketch a diagram to help visualize the problem. When building a real system, always devise a plan for that system and analyze its function *before* constructing it.
- Follow the units of measurement and meaning of every calculation. If you are ever performing mathematical calculations as part of a problem-solving procedure, and you find yourself unable to apply each and every intermediate result to some aspect of the problem, it means you don't understand what you are doing. Properly done, every mathematical result should have practical meaning for the problem, and not just be an abstract number. You should be able to identify the proper units of measurement for each and every calculated result, and show where that result fits into the problem.
- Perform “thought experiments” to explore the effects of different conditions for theoretical problems. When troubleshooting real systems, perform *diagnostic tests* rather than visually inspecting for faults, the best diagnostic test being the one giving you the most information about the nature and/or location of the fault with the fewest steps.
- Simplify the problem until the solution becomes obvious, and then use that obvious case as a model to follow in solving the more complex version of the problem.
- Check for exceptions to see if your solution is incorrect or incomplete. A good solution will work for *all* known conditions and criteria. A good example of this is the process of testing scientific hypotheses: the task of a scientist is not to find support for a new idea, but rather to *challenge* that new idea to see if it holds up under a battery of tests. The philosophical

principle of *reductio ad absurdum* (i.e. disproving a general idea by finding a specific case where it fails) is useful here.

- Work “backward” from a hypothetical solution to a new set of given conditions.
- Add quantities to problems that are qualitative in nature, because sometimes a little math helps illuminate the scenario.
- Sketch graphs illustrating how variables relate to each other. These may be quantitative (i.e. with realistic number values) or qualitative (i.e. simply showing increases and decreases).
- Treat quantitative problems as qualitative in order to discern the relative magnitudes and/or directions of change of the relevant variables. For example, try determining what happens if a certain variable were to increase or decrease before attempting to precisely calculate quantities: how will each of the dependent variables respond, by increasing, decreasing, or remaining the same as before?
- Consider limiting cases. This works especially well for qualitative problems where you need to determine which direction a variable will change. Take the given condition and magnify that condition to an extreme degree as a way of simplifying the direction of the system’s response.
- Check your work. This means regularly testing your conclusions to see if they make sense. This does *not* mean repeating the same steps originally used to obtain the conclusion(s), but rather to use some other means to check validity. Simply repeating procedures often leads to *repeating the same errors* if any were made, which is why alternative paths are better.

## Appendix B

# Instructional philosophy

*“The unexamined circuit is not worth energizing”* – Socrates (if he had taught electricity)

These learning modules, although useful for self-study, were designed to be used in a formal learning environment where a subject-matter expert challenges students to digest the content and exercise their critical thinking abilities in the answering of questions and in the construction and testing of working circuits.

The following principles inform the instructional and assessment philosophies embodied in these learning modules:

- The first goal of education is to enhance clear and independent thought, in order that every student reach their fullest potential in a highly complex and inter-dependent world. Robust reasoning is *always* more important than particulars of any subject matter, because its application is universal.
- Literacy is fundamental to independent learning and thought because text continues to be the most efficient way to communicate complex ideas over space and time. Those who cannot read with ease are limited in their ability to acquire knowledge and perspective.
- Articulate communication is fundamental to work that is complex and interdisciplinary.
- Faulty assumptions and poor reasoning are best corrected through challenge, not presentation. The rhetorical technique of *reductio ad absurdum* (disproving an assertion by exposing an absurdity) works well to discipline student’s minds, not only to correct the problem at hand but also to learn how to detect and correct future errors.
- Important principles should be repeatedly explored and widely applied throughout a course of study, not only to reinforce their importance and help ensure their mastery, but also to showcase the interconnectedness and utility of knowledge.

These learning modules were expressly designed to be used in an “inverted” teaching environment<sup>1</sup> where students first read the introductory and tutorial chapters on their own, then individually attempt to answer the questions and construct working circuits according to the experiment and project guidelines. The instructor never lectures, but instead meets regularly with each individual student to review their progress, answer questions, identify misconceptions, and challenge the student to new depths of understanding through further questioning. Regular meetings between instructor and student should resemble a Socratic<sup>2</sup> dialogue, where questions serve as scalpels to dissect topics and expose assumptions. The student passes each module only after consistently demonstrating their ability to logically analyze and correctly apply all major concepts in each question or project/experiment. The instructor must be vigilant in probing each student’s understanding to ensure they are truly *reasoning* and not just *memorizing*. This is why “Challenge” points appear throughout, as prompts for students to think deeper about topics and as starting points for instructor queries. Sometimes these challenge points require additional knowledge that hasn’t been covered in the series to answer in full. This is okay, as the major purpose of the Challenges is to stimulate analysis and synthesis on the part of each student.

The instructor must possess enough mastery of the subject matter and awareness of students’ reasoning to generate their own follow-up questions to practically any student response. Even completely correct answers given by the student should be challenged by the instructor for the purpose of having students practice articulating their thoughts and defending their reasoning. Conceptual errors committed by the student should be exposed and corrected not by direct instruction, but rather by reducing the errors to an absurdity<sup>3</sup> through well-chosen questions and thought experiments posed by the instructor. Becoming proficient at this style of instruction requires time and dedication, but the positive effects on critical thinking for both student and instructor are spectacular.

An inspection of these learning modules reveals certain unique characteristics. One of these is a bias toward thorough explanations in the tutorial chapters. Without a live instructor to explain concepts and applications to students, the text itself must fulfill this role. This philosophy results in lengthier explanations than what you might typically find in a textbook, each step of the reasoning process fully explained, including footnotes addressing common questions and concerns students raise while learning these concepts. Each tutorial seeks to not only explain each major concept in sufficient detail, but also to explain the logic of each concept and how each may be developed

---

<sup>1</sup>In a traditional teaching environment, students first encounter new information via *lecture* from an expert, and then independently apply that information via *homework*. In an “inverted” course of study, students first encounter new information via *homework*, and then independently apply that information under the scrutiny of an expert. The expert’s role in lecture is to simply *explain*, but the expert’s role in an inverted session is to *challenge, critique*, and if necessary *explain* where gaps in understanding still exist.

<sup>2</sup>Socrates is a figure in ancient Greek philosophy famous for his unflinching style of questioning. Although he authored no texts, he appears as a character in Plato’s many writings. The essence of Socratic philosophy is to leave no question unexamined and no point of view unchallenged. While purists may argue a topic such as electric circuits is too narrow for a true Socratic-style dialogue, I would argue that the essential thought processes involved with scientific reasoning on *any* topic are not far removed from the Socratic ideal, and that students of electricity and electronics would do very well to challenge assumptions, pose thought experiments, identify fallacies, and otherwise employ the arsenal of critical thinking skills modeled by Socrates.

<sup>3</sup>This rhetorical technique is known by the Latin phrase *reductio ad absurdum*. The concept is to expose errors by counter-example, since only one solid counter-example is necessary to disprove a universal claim. As an example of this, consider the common misconception among beginning students of electricity that voltage cannot exist without current. One way to apply *reductio ad absurdum* to this statement is to ask how much current passes through a fully-charged battery connected to nothing (i.e. a clear example of voltage existing without current).

from “first principles”. Again, this reflects the goal of developing clear and independent thought in students’ minds, by showing how clear and logical thought was used to forge each concept. Students benefit from witnessing a model of clear thinking in action, and these tutorials strive to be just that.

Another characteristic of these learning modules is a lack of step-by-step instructions in the Project and Experiment chapters. Unlike many modern workbooks and laboratory guides where step-by-step instructions are prescribed for each experiment, these modules take the approach that students must learn to closely read the tutorials and apply their own reasoning to identify the appropriate experimental steps. Sometimes these steps are plainly declared in the text, just not as a set of enumerated points. At other times certain steps are implied, an example being assumed competence in test equipment use where the student should not need to be told *again* how to use their multimeter because that was thoroughly explained in previous lessons. In some circumstances no steps are given at all, leaving the entire procedure up to the student.

This lack of prescription is not a flaw, but rather a feature. Close reading and clear thinking are foundational principles of this learning series, and in keeping with this philosophy all activities are designed to *require* those behaviors. Some students may find the lack of prescription frustrating, because it demands more from them than what their previous educational experiences required. This frustration should be interpreted as an unfamiliarity with autonomous thinking, a problem which must be corrected if the student is ever to become a self-directed learner and effective problem-solver. Ultimately, the need for students to read closely and think clearly is more important both in the near-term and far-term than any specific facet of the subject matter at hand. If a student takes longer than expected to complete a module because they are forced to outline, digest, and reason on their own, so be it. The future gains enjoyed by developing this mental discipline will be well worth the additional effort and delay.

Another feature of these learning modules is that they do not treat topics in isolation. Rather, important concepts are introduced early in the series, and appear repeatedly as stepping-stones toward other concepts in subsequent modules. This helps to avoid the “compartmentalization” of knowledge, demonstrating the inter-connectedness of concepts and simultaneously reinforcing them. Each module is fairly complete in itself, reserving the beginning of its tutorial to a review of foundational concepts.

This methodology of assigning text-based modules to students for digestion and then using Socratic dialogue to assess progress and hone students’ thinking was developed over a period of several years by the author with his Electronics and Instrumentation students at the two-year college level. While decidedly unconventional and sometimes even unsettling for students accustomed to a more passive lecture environment, this instructional philosophy has proven its ability to convey conceptual mastery, foster careful analysis, and enhance employability so much better than lecture that the author refuses to ever teach by lecture again.

Problems which often go undiagnosed in a lecture environment are laid bare in this “inverted” format where students must articulate and logically defend their reasoning. This, too, may be unsettling for students accustomed to lecture sessions where the instructor cannot tell for sure who comprehends and who does not, and this vulnerability necessitates sensitivity on the part of the “inverted” session instructor in order that students never feel discouraged by having their errors exposed. *Everyone* makes mistakes from time to time, and learning is a lifelong process! Part of the instructor’s job is to build a culture of learning among the students where errors are not seen as shameful, but rather as opportunities for progress.



To this end, instructors managing courses based on these modules should adhere to the following principles:

- Student questions are always welcome and demand thorough, honest answers. The only type of question an instructor should refuse to answer is one the student should be able to easily answer on their own. Remember, *the fundamental goal of education is for each student to learn to think clearly and independently*. This requires hard work on the part of the student, which no instructor should ever circumvent. Anything done to bypass the student's responsibility to do that hard work ultimately limits that student's potential and thereby does real harm.
- It is not only permissible, but encouraged, to answer a student's question by asking questions in return, these follow-up questions designed to guide the student to reach a correct answer through their own reasoning.
- All student answers demand to be challenged by the instructor and/or by other students. This includes both correct and incorrect answers – the goal is to practice the articulation and defense of one's own reasoning.
- No reading assignment is deemed complete unless and until the student demonstrates their ability to accurately summarize the major points in their own terms. Recitation of the original text is unacceptable. This is why every module contains an "Outline and reflections" question as well as a "Foundational concepts" question in the Conceptual reasoning section, to prompt reflective reading.
- No assigned question is deemed answered unless and until the student demonstrates their ability to consistently and correctly apply the concepts to *variations* of that question. This is why module questions typically contain multiple "Challenges" suggesting different applications of the concept(s) as well as variations on the same theme(s). Instructors are encouraged to devise as many of their own "Challenges" as they are able, in order to have a multitude of ways ready to probe students' understanding.
- No assigned experiment or project is deemed complete unless and until the student demonstrates the task in action. If this cannot be done "live" before the instructor, video-recordings showing the demonstration are acceptable. All relevant safety precautions must be followed, all test equipment must be used correctly, and the student must be able to properly explain all results. The student must also successfully answer all Challenges presented by the instructor for that experiment or project.

Students learning from these modules would do well to abide by the following principles:

- No text should be considered fully and adequately read unless and until you can express every idea *in your own words, using your own examples*.
- You should always articulate your thoughts as you read the text, noting points of agreement, confusion, and epiphanies. Feel free to print the text on paper and then write your notes in the margins. Alternatively, keep a journal for your own reflections as you read. This is truly a helpful tool when digesting complicated concepts.
- Never take the easy path of highlighting or underlining important text. Instead, *summarize* and/or *comment* on the text using your own words. This actively engages your mind, allowing you to more clearly perceive points of confusion or misunderstanding on your own.
- A very helpful strategy when learning new concepts is to place yourself in the role of a teacher, if only as a mental exercise. Either explain what you have recently learned to someone else, or at least *imagine* yourself explaining what you have learned to someone else. The simple act of having to articulate new knowledge and skill forces you to take on a different perspective, and will help reveal weaknesses in your understanding.
- Perform each and every mathematical calculation and thought experiment shown in the text on your own, referring back to the text to see that your results agree. This may seem trivial and unnecessary, but it is critically important to ensuring you actually understand what is presented, especially when the concepts at hand are complicated and easy to misunderstand. Apply this same strategy to become proficient in the use of *circuit simulation software*, checking to see if your simulated results agree with the results shown in the text.
- Above all, recognize that learning is hard work, and that a certain level of frustration is unavoidable. There are times when you will struggle to grasp some of these concepts, and that struggle is a natural thing. Take heart that it will yield with persistent and varied<sup>4</sup> effort, and never give up!

Students interested in using these modules for self-study will also find them beneficial, although the onus of responsibility for thoroughly reading and answering questions will of course lie with that individual alone. If a qualified instructor is not available to challenge students, a workable alternative is for students to form study groups where they challenge<sup>5</sup> one another.

To high standards of education,

Tony R. Kuphaldt

---

<sup>4</sup>As the old saying goes, “Insanity is trying the same thing over and over again, expecting different results.” If you find yourself stumped by something in the text, you should attempt a different approach. Alter the thought experiment, change the mathematical parameters, do whatever you can to see the problem in a slightly different light, and then the solution will often present itself more readily.

<sup>5</sup>Avoid the temptation to simply share answers with study partners, as this is really counter-productive to learning. Always bear in mind that the answer to any question is far less important in the long run than the method(s) used to obtain that answer. The goal of education is to empower one’s life through the improvement of clear and independent thought, literacy, expression, and various practical skills.



# Appendix C

## Tools used

I am indebted to the developers of many open-source software applications in the creation of these learning modules. The following is a list of these applications with some commentary on each.

You will notice a theme common to many of these applications: a bias toward *code*. Although I am by no means an expert programmer in any computer language, I understand and appreciate the flexibility offered by code-based applications where the user (you) enters commands into a plain ASCII text file, which the software then reads and processes to create the final output. Code-based computer applications are by their very nature *extensible*, while WYSIWYG (What You See Is What You Get) applications are generally limited to whatever user interface the developer makes for you.

### The GNU/Linux computer operating system

There is so much to be said about Linus Torvalds' `Linux` and Richard Stallman's `GNU` project. First, to credit just these two individuals is to fail to do justice to the *mob* of passionate volunteers who contributed to make this amazing software a reality. I first learned of `Linux` back in 1996, and have been using this operating system on my personal computers almost exclusively since then. It is *free*, it is completely *configurable*, and it permits the continued use of highly efficient `Unix` applications and scripting languages (e.g. shell scripts, Makefiles, `sed`, `awk`) developed over many decades. `Linux` not only provided me with a powerful computing platform, but its open design served to inspire my life's work of creating open-source educational resources.

### Bram Moolenaar's Vim text editor

Writing code for any code-based computer application requires a *text editor*, which may be thought of as a word processor strictly limited to outputting plain-ASCII text files. Many good text editors exist, and one's choice of text editor seems to be a deeply personal matter within the programming world. I prefer `Vim` because it operates very similarly to `vi` which is ubiquitous on `Unix/Linux` operating systems, and because it may be entirely operated via keyboard (i.e. no mouse required) which makes it fast to use.

### Donald Knuth's $\text{\TeX}$ typesetting system

Developed in the late 1970's and early 1980's by computer scientist extraordinaire Donald Knuth to typeset his multi-volume magnum opus *The Art of Computer Programming*, this software allows the production of formatted text for screen-viewing or paper printing, all by writing plain-text code to describe how the formatted text is supposed to appear.  $\text{\TeX}$  is not just a markup language for documents, but it is also a Turing-complete programming language in and of itself, allowing useful algorithms to be created to control the production of documents. Simply put,  *$\text{\TeX}$  is a programmer's approach to word processing*. Since  $\text{\TeX}$  is controlled by code written in a plain-text file, this means anyone may read that plain-text file to see exactly how the document was created. This openness afforded by the code-based nature of  $\text{\TeX}$  makes it relatively easy to learn how other people have created their own  $\text{\TeX}$  documents. By contrast, examining a beautiful document created in a conventional WYSIWYG word processor such as Microsoft **Word** suggests nothing to the reader about *how* that document was created, or what the user might do to create something similar. As Mr. Knuth himself once quipped, conventional word processing applications should be called WYSIAYG (What You See Is *All* You Get).

### Leslie Lamport's $\text{\LaTeX}$ extensions to $\text{\TeX}$

Like all true programming languages,  $\text{\TeX}$  is inherently extensible. So, years after the release of  $\text{\TeX}$  to the public, Leslie Lamport decided to create a massive extension allowing easier compilation of book-length documents. The result was  $\text{\LaTeX}$ , which is the markup language used to create all ModEL module documents. You could say that  $\text{\TeX}$  is to  $\text{\LaTeX}$  as **C** is to **C++**. This means it is permissible to use any and all  $\text{\TeX}$  commands within  $\text{\LaTeX}$  source code, and it all still works. Some of the features offered by  $\text{\LaTeX}$  that would be challenging to implement in  $\text{\TeX}$  include automatic index and table-of-content creation.

### Tim Edwards' **Xcircuit** drafting program

This wonderful program is what I use to create all the schematic diagrams and illustrations (but not photographic images or mathematical plots) throughout the ModEL project. It natively outputs PostScript format which is a true vector graphic format (this is why the images do not pixellate when you zoom in for a closer view), and it is so simple to use that I have never had to read the manual! Object libraries are easy to create for **Xcircuit**, being plain-text files using PostScript programming conventions. Over the years I have collected a large set of object libraries useful for drawing electrical and electronic schematics, pictorial diagrams, and other technical illustrations.

### Gimp graphic image manipulation program

Essentially an open-source clone of Adobe's `PhotoShop`, I use `Gimp` to resize, crop, and convert file formats for all of the photographic images appearing in the `MODEL` modules. Although `Gimp` does offer its own scripting language (called `Script-Fu`), I have never had occasion to use it. Thus, my utilization of `Gimp` to merely crop, resize, and convert graphic images is akin to using a sword to slice bread.

### SPICE circuit simulation program

`SPICE` is to circuit analysis as `TEX` is to document creation: it is a form of markup language designed to describe a certain object to be processed in plain-ASCII text. When the plain-text "source file" is compiled by the software, it outputs the final result. More modern circuit analysis tools certainly exist, but I prefer `SPICE` for the following reasons: it is *free*, it is *fast*, it is *reliable*, and it is a fantastic tool for *teaching* students of electricity and electronics how to write simple code. I happen to use rather old versions of `SPICE`, version 2g6 being my "go to" application when I only require text-based output. `NGSPICE` (version 26), which is based on Berkeley `SPICE` version 3f5, is used when I require graphical output for such things as time-domain waveforms and Bode plots. In all `SPICE` example netlists I strive to use coding conventions compatible with all `SPICE` versions.

### Andrew D. Hwang's ePiX mathematical visualization programming library

This amazing project is a `C++` library you may link to any `C/C++` code for the purpose of generating PostScript graphic images of mathematical functions. As a completely free and open-source project, it does all the plotting I would otherwise use a Computer Algebra System (CAS) such as `Mathematica` or `Maple` to do. It should be said that `ePiX` is *not* a Computer Algebra System like `Mathematica` or `Maple`, but merely a mathematical *visualization* tool. In other words, it won't determine integrals for you (you'll have to implement that in your own `C/C++` code!), but it can graph the results, and it does so beautifully. What I really admire about `ePiX` is that it is a `C++` programming library, which means it builds on the existing power and toolset available with that programming language. Mr. Hwang could have probably developed his own stand-alone application for mathematical plotting, but by creating a `C++` library to do the same thing he accomplished something much greater.

### gnuplot mathematical visualization software

Another open-source tool for mathematical visualization is `gnuplot`. Interestingly, this tool is *not* part of Richard Stallman’s GNU project, its name being a coincidence. For this reason the authors prefer “gnu” *not* be capitalized at all to avoid confusion. This is a much “lighter-weight” alternative to a spreadsheet for plotting tabular data, and the fact that it easily outputs directly to an X11 console or a file in a number of different graphical formats (including PostScript) is very helpful. I typically set my `gnuplot` output format to default (X11 on my Linux PC) for quick viewing while I’m developing a visualization, then switch to PostScript file export once the visual is ready to include in the document(s) I’m writing. As with my use of `Gimp` to do rudimentary image editing, my use of `gnuplot` only scratches the surface of its capabilities, but the important points are that it’s *free* and that it *works well*.

### Python programming language

Both Python and C++ find extensive use in these modules as instructional aids and exercises, but I’m listing Python here as a *tool* for myself because I use it almost daily as a *calculator*. If you open a Python interpreter console and type `from math import *` you can type mathematical expressions and have it return results just as you would on a hand calculator. Complex-number (i.e. *phasor*) arithmetic is similarly supported if you include the complex-math library (`from cmath import *`). Examples of this are shown in the Programming References chapter (if included) in each module. Of course, being a fully-featured programming language, Python also supports conditionals, loops, and other structures useful for calculation of quantities. Also, running in a console environment where all entries and returned values show as text in a chronologically-ordered list makes it easy to copy-and-paste those calculations to document exactly how they were performed.

# Appendix D

## Creative Commons License

### Creative Commons Attribution 4.0 International Public License

By exercising the Licensed Rights (defined below), You accept and agree to be bound by the terms and conditions of this Creative Commons Attribution 4.0 International Public License (“Public License”). To the extent this Public License may be interpreted as a contract, You are granted the Licensed Rights in consideration of Your acceptance of these terms and conditions, and the Licensor grants You such rights in consideration of benefits the Licensor receives from making the Licensed Material available under these terms and conditions.

#### Section 1 – Definitions.

a. **Adapted Material** means material subject to Copyright and Similar Rights that is derived from or based upon the Licensed Material and in which the Licensed Material is translated, altered, arranged, transformed, or otherwise modified in a manner requiring permission under the Copyright and Similar Rights held by the Licensor. For purposes of this Public License, where the Licensed Material is a musical work, performance, or sound recording, Adapted Material is always produced where the Licensed Material is synched in timed relation with a moving image.

b. **Adapter’s License** means the license You apply to Your Copyright and Similar Rights in Your contributions to Adapted Material in accordance with the terms and conditions of this Public License.

c. **Copyright and Similar Rights** means copyright and/or similar rights closely related to copyright including, without limitation, performance, broadcast, sound recording, and Sui Generis Database Rights, without regard to how the rights are labeled or categorized. For purposes of this Public License, the rights specified in Section 2(b)(1)-(2) are not Copyright and Similar Rights.

d. **Effective Technological Measures** means those measures that, in the absence of proper authority, may not be circumvented under laws fulfilling obligations under Article 11 of the WIPO Copyright Treaty adopted on December 20, 1996, and/or similar international agreements.

e. **Exceptions and Limitations** means fair use, fair dealing, and/or any other exception or



limitation to Copyright and Similar Rights that applies to Your use of the Licensed Material.

f. **Licensed Material** means the artistic or literary work, database, or other material to which the Licensor applied this Public License.

g. **Licensed Rights** means the rights granted to You subject to the terms and conditions of this Public License, which are limited to all Copyright and Similar Rights that apply to Your use of the Licensed Material and that the Licensor has authority to license.

h. **Licensor** means the individual(s) or entity(ies) granting rights under this Public License.

i. **Share** means to provide material to the public by any means or process that requires permission under the Licensed Rights, such as reproduction, public display, public performance, distribution, dissemination, communication, or importation, and to make material available to the public including in ways that members of the public may access the material from a place and at a time individually chosen by them.

j. **Sui Generis Database Rights** means rights other than copyright resulting from Directive 96/9/EC of the European Parliament and of the Council of 11 March 1996 on the legal protection of databases, as amended and/or succeeded, as well as other essentially equivalent rights anywhere in the world.

k. **You** means the individual or entity exercising the Licensed Rights under this Public License. **Your** has a corresponding meaning.

## Section 2 – Scope.

a. License grant.

1. Subject to the terms and conditions of this Public License, the Licensor hereby grants You a worldwide, royalty-free, non-sublicensable, non-exclusive, irrevocable license to exercise the Licensed Rights in the Licensed Material to:

A. reproduce and Share the Licensed Material, in whole or in part; and

B. produce, reproduce, and Share Adapted Material.

2. Exceptions and Limitations. For the avoidance of doubt, where Exceptions and Limitations apply to Your use, this Public License does not apply, and You do not need to comply with its terms and conditions.

3. Term. The term of this Public License is specified in Section 6(a).

4. Media and formats; technical modifications allowed. The Licensor authorizes You to exercise the Licensed Rights in all media and formats whether now known or hereafter created, and to make technical modifications necessary to do so. The Licensor waives and/or agrees not to assert any right or authority to forbid You from making technical modifications necessary to exercise the Licensed Rights, including technical modifications necessary to circumvent Effective Technological Measures.

For purposes of this Public License, simply making modifications authorized by this Section 2(a)(4) never produces Adapted Material.

5. Downstream recipients.

A. Offer from the Licensor – Licensed Material. Every recipient of the Licensed Material automatically receives an offer from the Licensor to exercise the Licensed Rights under the terms and conditions of this Public License.

B. No downstream restrictions. You may not offer or impose any additional or different terms or conditions on, or apply any Effective Technological Measures to, the Licensed Material if doing so restricts exercise of the Licensed Rights by any recipient of the Licensed Material.

6. No endorsement. Nothing in this Public License constitutes or may be construed as permission to assert or imply that You are, or that Your use of the Licensed Material is, connected with, or sponsored, endorsed, or granted official status by, the Licensor or others designated to receive attribution as provided in Section 3(a)(1)(A)(i).

b. Other rights.

1. Moral rights, such as the right of integrity, are not licensed under this Public License, nor are publicity, privacy, and/or other similar personality rights; however, to the extent possible, the Licensor waives and/or agrees not to assert any such rights held by the Licensor to the limited extent necessary to allow You to exercise the Licensed Rights, but not otherwise.

2. Patent and trademark rights are not licensed under this Public License.

3. To the extent possible, the Licensor waives any right to collect royalties from You for the exercise of the Licensed Rights, whether directly or through a collecting society under any voluntary or waivable statutory or compulsory licensing scheme. In all other cases the Licensor expressly reserves any right to collect such royalties.

### **Section 3 – License Conditions.**

Your exercise of the Licensed Rights is expressly made subject to the following conditions.

a. Attribution.

1. If You Share the Licensed Material (including in modified form), You must:

A. retain the following if it is supplied by the Licensor with the Licensed Material:

i. identification of the creator(s) of the Licensed Material and any others designated to receive attribution, in any reasonable manner requested by the Licensor (including by pseudonym if designated);

ii. a copyright notice;

- iii. a notice that refers to this Public License;
- iv. a notice that refers to the disclaimer of warranties;
- v. a URI or hyperlink to the Licensed Material to the extent reasonably practicable;

B. indicate if You modified the Licensed Material and retain an indication of any previous modifications; and

C. indicate the Licensed Material is licensed under this Public License, and include the text of, or the URI or hyperlink to, this Public License.

2. You may satisfy the conditions in Section 3(a)(1) in any reasonable manner based on the medium, means, and context in which You Share the Licensed Material. For example, it may be reasonable to satisfy the conditions by providing a URI or hyperlink to a resource that includes the required information.

3. If requested by the Licensor, You must remove any of the information required by Section 3(a)(1)(A) to the extent reasonably practicable.

4. If You Share Adapted Material You produce, the Adapter's License You apply must not prevent recipients of the Adapted Material from complying with this Public License.

#### **Section 4 – Sui Generis Database Rights.**

Where the Licensed Rights include Sui Generis Database Rights that apply to Your use of the Licensed Material:

- a. for the avoidance of doubt, Section 2(a)(1) grants You the right to extract, reuse, reproduce, and Share all or a substantial portion of the contents of the database;
- b. if You include all or a substantial portion of the database contents in a database in which You have Sui Generis Database Rights, then the database in which You have Sui Generis Database Rights (but not its individual contents) is Adapted Material; and
- c. You must comply with the conditions in Section 3(a) if You Share all or a substantial portion of the contents of the database.

For the avoidance of doubt, this Section 4 supplements and does not replace Your obligations under this Public License where the Licensed Rights include other Copyright and Similar Rights.

#### **Section 5 – Disclaimer of Warranties and Limitation of Liability.**

a. Unless otherwise separately undertaken by the Licensor, to the extent possible, the Licensor offers the Licensed Material as-is and as-available, and makes no representations or warranties of any kind concerning the Licensed Material, whether express, implied, statutory, or other. This includes, without limitation, warranties of title, merchantability, fitness for a particular purpose, non-infringement, absence of latent or other defects, accuracy, or the presence or absence of errors,

whether or not known or discoverable. Where disclaimers of warranties are not allowed in full or in part, this disclaimer may not apply to You.

b. To the extent possible, in no event will the Licensor be liable to You on any legal theory (including, without limitation, negligence) or otherwise for any direct, special, indirect, incidental, consequential, punitive, exemplary, or other losses, costs, expenses, or damages arising out of this Public License or use of the Licensed Material, even if the Licensor has been advised of the possibility of such losses, costs, expenses, or damages. Where a limitation of liability is not allowed in full or in part, this limitation may not apply to You.

c. The disclaimer of warranties and limitation of liability provided above shall be interpreted in a manner that, to the extent possible, most closely approximates an absolute disclaimer and waiver of all liability.

#### **Section 6 – Term and Termination.**

a. This Public License applies for the term of the Copyright and Similar Rights licensed here. However, if You fail to comply with this Public License, then Your rights under this Public License terminate automatically.

b. Where Your right to use the Licensed Material has terminated under Section 6(a), it reinstates:

1. automatically as of the date the violation is cured, provided it is cured within 30 days of Your discovery of the violation; or

2. upon express reinstatement by the Licensor.

For the avoidance of doubt, this Section 6(b) does not affect any right the Licensor may have to seek remedies for Your violations of this Public License.

c. For the avoidance of doubt, the Licensor may also offer the Licensed Material under separate terms or conditions or stop distributing the Licensed Material at any time; however, doing so will not terminate this Public License.

d. Sections 1, 5, 6, 7, and 8 survive termination of this Public License.

#### **Section 7 – Other Terms and Conditions.**

a. The Licensor shall not be bound by any additional or different terms or conditions communicated by You unless expressly agreed.

b. Any arrangements, understandings, or agreements regarding the Licensed Material not stated herein are separate from and independent of the terms and conditions of this Public License.

#### **Section 8 – Interpretation.**

a. For the avoidance of doubt, this Public License does not, and shall not be interpreted to, reduce, limit, restrict, or impose conditions on any use of the Licensed Material that could lawfully

be made without permission under this Public License.

b. To the extent possible, if any provision of this Public License is deemed unenforceable, it shall be automatically reformed to the minimum extent necessary to make it enforceable. If the provision cannot be reformed, it shall be severed from this Public License without affecting the enforceability of the remaining terms and conditions.

c. No term or condition of this Public License will be waived and no failure to comply consented to unless expressly agreed to by the Licensor.

d. Nothing in this Public License constitutes or may be interpreted as a limitation upon, or waiver of, any privileges and immunities that apply to the Licensor or You, including from the legal processes of any jurisdiction or authority.

Creative Commons is not a party to its public licenses. Notwithstanding, Creative Commons may elect to apply one of its public licenses to material it publishes and in those instances will be considered the “Licensor.” Except for the limited purpose of indicating that material is shared under a Creative Commons public license or as otherwise permitted by the Creative Commons policies published at [creativecommons.org/policies](https://creativecommons.org/policies), Creative Commons does not authorize the use of the trademark “Creative Commons” or any other trademark or logo of Creative Commons without its prior written consent including, without limitation, in connection with any unauthorized modifications to any of its public licenses or any other arrangements, understandings, or agreements concerning use of licensed material. For the avoidance of doubt, this paragraph does not form part of the public licenses.

Creative Commons may be contacted at [creativecommons.org](https://creativecommons.org).



# Appendix E

## Version history

This is a list showing all significant additions, corrections, and other edits made to this learning module. Each entry is referenced by calendar date in reverse chronological order (newest version first), which appears on the front cover of every learning module for easy reference. Any contributors to this open-source document are listed here as well.

**7 October 2024** – minor edits to the “Phasor polarity” section of the Full Tutorial chapter.

**25 September 2024** – divided the Introduction chapter into sections, one with recommendations for students, one with a listing of challenging concepts, and one with recommendations for instructors. Also divided the Full Tutorial into sections.

**28 November 2022** – placed questions at the top of the itemized list in the Introduction chapter prompting students to devise experiments related to the tutorial content.

**8 May 2021** – commented out or deleted empty chapters.

**6 March 2021** – added Challenge question to “Boost/buck transformer circuits”.

**4 March 2021** – minor additions to instructor notes and also to the Full Tutorial.

**7 February 2021** – significantly edited the Introduction chapter to make it more suitable as a pre-study guide and to provide cues useful to instructors leading “inverted” teaching sessions.

**6 January 2021** – added some Questions, added a Derivations and Technical References chapter, and made minor edits to the Full Tutorial.

**August 2018** – content added to the Introduction, clarified one of the examples in the Simplified Tutorial, and clarified one of the examples in the Full Tutorial.

**June 2018** – document first created.



# Index

- Adding quantities to a qualitative problem, 58
- Annotating diagrams, 57
- Balanced three-phase circuit, 3, 23
- Checking for exceptions, 58
- Checking your work, 58
- Code, computer, 65
- Digital multimeter, 7, 14
- Dimensional analysis, 57
- DMM, 7, 14
- Edwards, Tim, 66
- Global Positioning System (GPS), 29
- GPS satellite system, 29
- Graph values to solve a problem, 58
- Greenleaf, Cynthia, 39
- How to teach with these modules, 60
- Hwang, Andrew D., 67
- Identify given data, 57
- Identify relevant principles, 57
- Instructions for projects and experiments, 61
- Intermediate results, 57
- Inverted instruction, 60
- Kirchhoff's Current Law, 9, 20
- Kirchhoff's Voltage Law, 9, 17, 20
- Knuth, Donald, 66
- Lampert, Leslie, 66
- Limiting cases, 58
- Metacognition, 44
- Moolenaar, Bram, 65
- Murphy, Lynn, 39
- Open-source, 65
- Phase angle, 9
- Phasometer, 26
- Phasor diagram, 19
- Polarity, 14
- Problem-solving: annotate diagrams, 57
- Problem-solving: check for exceptions, 58
- Problem-solving: checking work, 58
- Problem-solving: dimensional analysis, 57
- Problem-solving: graph values, 58
- Problem-solving: identify given data, 57
- Problem-solving: identify relevant principles, 57
- Problem-solving: interpret intermediate results, 57
- Problem-solving: limiting cases, 58
- Problem-solving: qualitative to quantitative, 58
- Problem-solving: quantitative to qualitative, 58
- Problem-solving: reductio ad absurdum, 58
- Problem-solving: simplify the system, 57
- Problem-solving: thought experiment, 15, 57
- Problem-solving: track units of measurement, 57
- Problem-solving: visually represent the system, 57
- Problem-solving: work in reverse, 58
- Qualitatively approaching a quantitative problem, 58
- Reading Apprenticeship, 39
- Reductio ad absurdum, 58–60
- Schoenbach, Ruth, 39
- Scientific method, 44
- Simplifying a system, 57
- Slope, oscilloscope trigger, 10
- Socrates, 59
- Socratic dialogue, 60

- SPICE, 39
- Stallman, Richard, 65
- Strobe light, 26
- Stroboscope, 26
- Synchrophasor, 29
  
- Thought experiment, 15, 57
- Three phase circuit, 3, 22
- Torvalds, Linus, 65
- Triggering, oscilloscope, 10
  
- Units of measurement, 57
  
- Visualizing a system, 57
- Voltage, 14
  
- Work in reverse to solve a problem, 58
- WYSIWYG, 65, 66