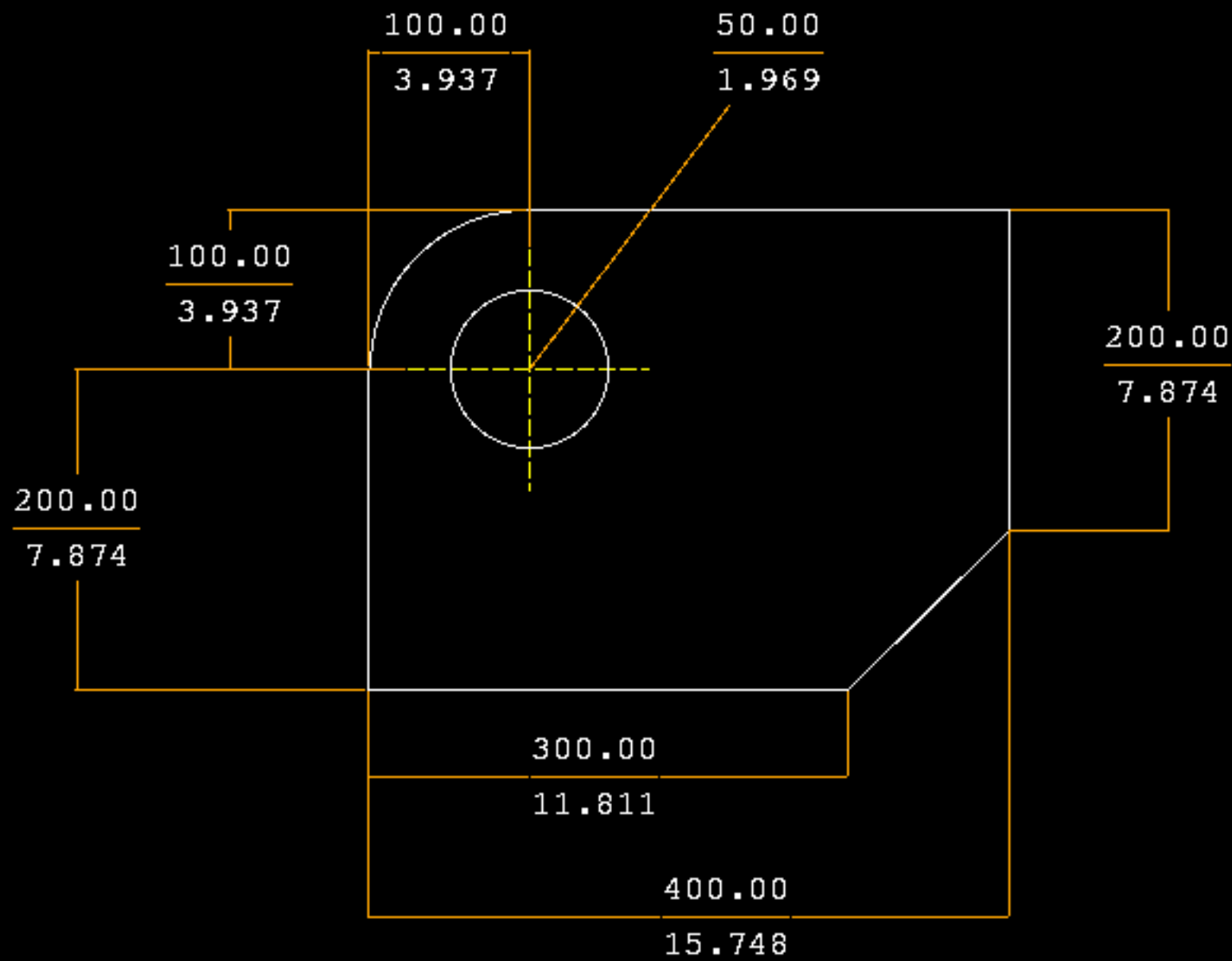


Layers

- TopLayer
- Part1
- ConLines



Click in the drawing.

751.3844, 192.1270