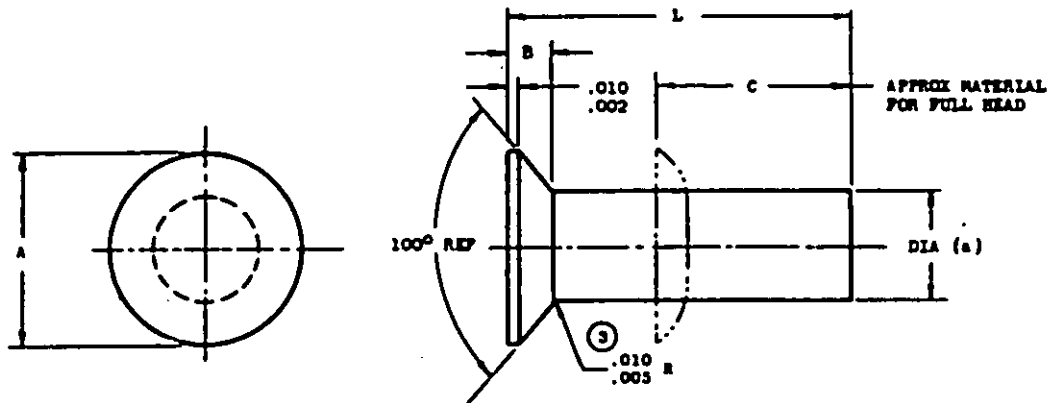


User activities:
Army
Navy
Air Force
OSA

Review activities:
Army
Navy
Air Force-11
OSA-18

AN 124951
THRU
AN 125100



DIAMETER	A	B + .001 - .003	C	X
.062 ± .001	.105 + .002 - .006	.022	.116	.010
.094 ± .001	.170 + .002 - .006	.036	.169	.010
.125 ± .001 - .002	.216 + .002 - .006	.042	.225	.010
.156 ± .001 - .002	.278 + .002 - .006	.055	.281	.015
.188 ± .001 - .002	.344 + .003 - .007	.070	.338	.015
.250 ± .002	.467 + .003 - .007	.095	.450	.020
.312 ± .002	.555 + .003 - .007	.106	.561	.020
.375 ± .002	.685 + .003 - .007	.134	.675	.020

L	DIAMETER AND PART NUMBERS							
	.062	.094	.125	.156	.188	.250	.312	.375
.125	AN124951							
.188	AN124952							
.250	AN124953							
.312	AN124954							
.375	AN124955							
.518	AN124956							
.500	AN124957							
.562	AN124958							
.625	AN124959							
.750								
.875								
1.000								
1.125								
1.250								
1.375								
1.500								

- (a) SHANK DIAMETER TO BE MEASURED WITHIN .100 OF BASE OF HEAD.
- RIVET HEAD MUST BE CONCENTRIC WITH SHANK DIAMETER WITHIN "X" FIR.
- MATERIAL: CORROSION RESISTANT STEEL AMS 7228
- DIMENSIONS IN INCHES. UNLESS OTHERWISE SPECIFIED; TOLERANCES, LINEAR DIMENSIONS ± .010.
- DO NOT USE UNASSIGNED PART NUMBERS.

THIS STANDARD HAS BEEN DEVELOPED COOPERATIVELY WITH THE ENGINE AND PROPELLER STANDARD PARTS COMMITTEE OF THE S.A.E.

This military standard is approved for use by all Departments and Agencies of the Department of Defense. Selection for all new engineering and design applications and for repetitive use shall be made from this document.

P. A. Air Force - 82
Other Cust. (3)
Army - AV
Navy - AS
PROCUREMENT SPEC.

AIR FORCE-NAVY AERONAUTICAL STANDARD

RIVET - 100° COUNTERSUNK HEAD
CORROSION RESISTANT STEEL

AN 124951
THRU
AN 125100

5320-C221

APPROVED 26 JUN 43 REVISED 13 MAY 52 29 MAY 54 3 27 JUN 74