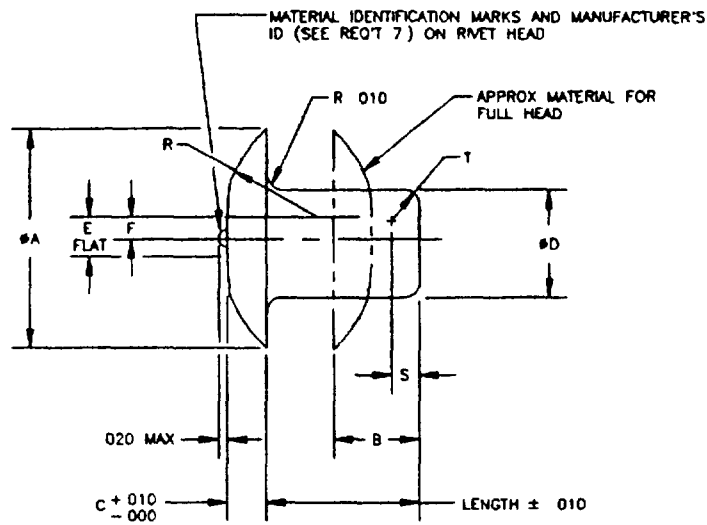


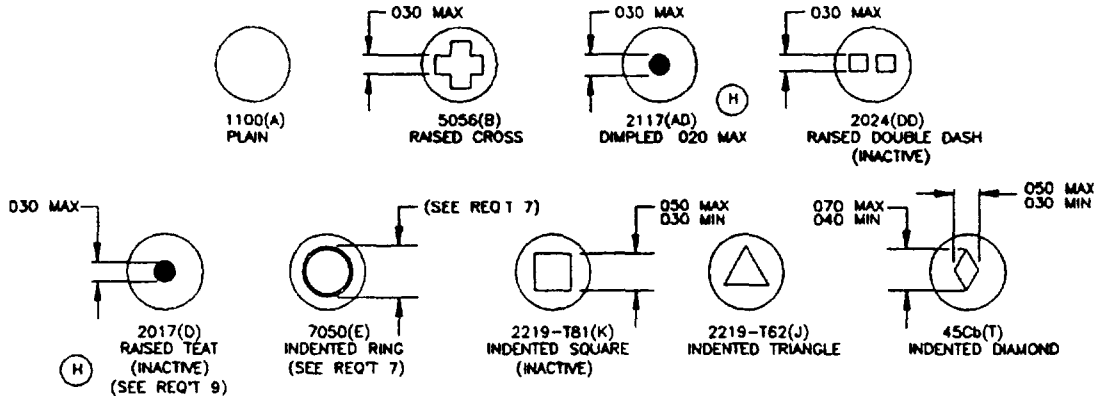
THE REQUIREMENTS FOR ACQUIRING THE PRODUCT(S) DESCRIBED HEREIN SHALL CONSIST OF THIS SPECIFICATION SHEET AND THE ISSUE OF THE FOLLOWING SPECIFICATION LISTED IN THAT ISSUE OF THE ADDRESS SPECIFIED IN THE SOLICITATION MIL-R-5674

THIS SPECIFICATION IS APPROVED FOR USE BY ALL DEPARTMENTS AND AGENCIES OF THE DEPARTMENT OF DEFENSE.

Form Approved  
OMB No 0704-0188



**MATERIAL IDENTIFICATION MARKS**



**TABLE I. RIVET DIMENSIONS.**

NOM DIA	#D	#A	B	C	E	F	R	S	T RAD
1/16	062	125 ± 006	094	.027	031	015	054	016	019
3/32	094	187 ± 009	141	040	046	023	082	023	029
1/8	125	250 ± 012	188	.054	062	031	108	031	039
5/32	156 + 003	312 ± 018	234	.067	078	039	135	039	049
3/16	187 - 001	375 ± 019	281	080	093	046	164	047	059
7/32	219	437 ± 022	328	093	109	054	193	054	069
1/4	250	500 ± 025	375	107	125	062	217	062	078
5/16	312	625 ± 031	469	133	156	078	272	078	098
3/8	375	750 ± 037	562	161	187	093	328	094	117

1/ TOLERANCE CHANGE APPLIES TO RIVETS MANUFACTURED AFTER 2 JULY 1990

(H) DENOTES CHANGE(S)

**INCH-POUND**

PREPARING ACTIVITY NAVY-AS  
CUSTODIANS ARMY-AR NAVY-  
AIR FORCE-99 DLA-  
REVIEW AV, GL, IS, ME, MI, OS, 82  
USER MC  
PROJECT NUMBER 5320-0806  
DISTRIBUTION STATEMENT

**MILITARY SPECIFICATION SHEET**  
TITLE  
RIVET, SOLID UNIVERSAL HEAD,  
ALUMINUM ALLOY AND TITANIUM  
COLUMBIUM ALLOY

SPECIFICATION SHEET NUMBER  
**MS20470** 14 SEP 83  
REV H  
SUPERSEDING  
MS20470 G 28 JAN 91  
AMSC- N/A FSC 5320

A. Approved for public release distribution is unlimited

Page 1 of 5

DD Form 672, MAY 88

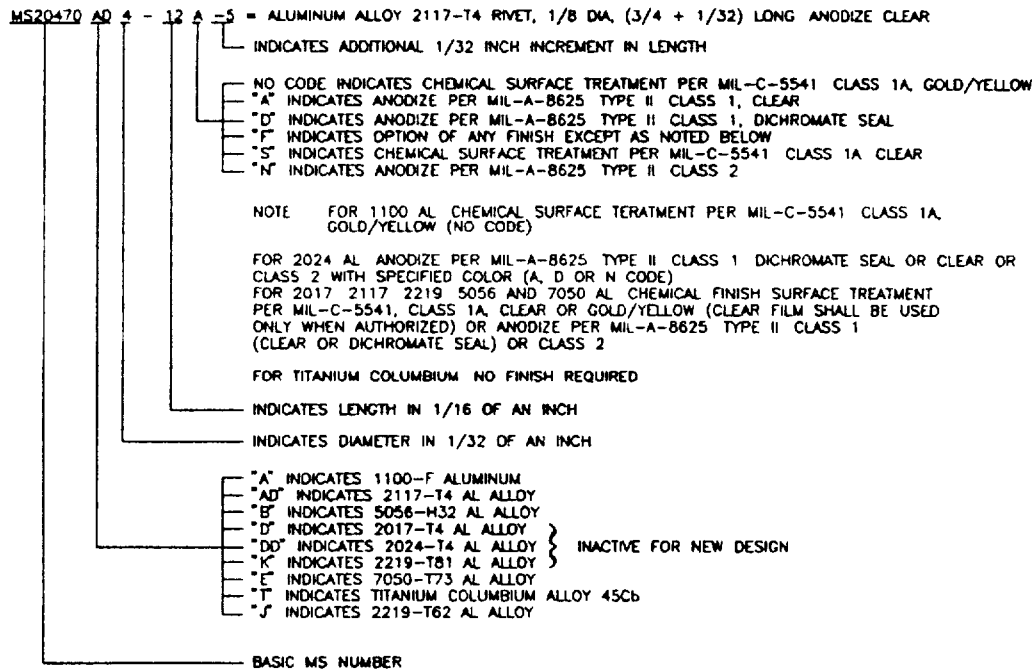
PREVIOUS EDITIONS ARE OBSOLETE

THE REQUIREMENTS FOR ACQUIRING THE PRODUCT(S) DESCRIBED HEREIN SHALL CONSIST OF THIS SPECIFICATION SHEET AND THE ISSUE OF THE FOLLOWING SPECIFICATION LISTED IN THAT ISSUE OF THE DODISS SPECIFIED IN THE SOLICITATION MIL-R-5674

THIS SPECIFICATION IS APPROVED FOR USE BY ALL DEPARTMENTS AND AGENCIES OF THE DEPARTMENT OF DEFENSE

**REQUIREMENTS.**

- 1 RIVETS MAY BE FURNISHED WITH PLAIN ENDS, OR ENDS CHAMFERED UP TO 20° TO THE "S" DIMENSION OR MAY HAVE A RADIUS TO THE "T" DIMENSION
- 2 **MATERIAL** ALUMINUM 1100-F (A91100) AND ALUMINUM ALLOYS 2017-T4 (A92017) 2024-T4 (A92024) 2117-T4 (A92117) 2219-T81 (A92119) 2219-T62 (A92119), 5056-H32 (A95056) 7050-T73 (A97050) PER QQ-A-430 AND TITANIUM COLUMBIUM ALLOY 45Cb (R58450) PER AMS 4982
- 3 FOR PART NUMBERS OF RIVET LENGTH NOT LISTED SHOW 1/16 INCREMENT REQUIRED
- 4 ADDITIONAL 1/32 LENGTH INCREMENTS MAY BE OBTAINED BY ADDING -5 AFTER THE LAST DIGIT OR LETTER IN PART NUMBER
- 5 **EXAMPLE OF PART NUMBER.**



- 6 OUTER DIAMETER OF INDENTED RING (7050 RIVETS) SHALL BE A MAXIMUM OF 75% OF RIVET SHANK DIAMETER THE MAXIMUM DEPTH OF THE RING SHALL BE .010 INCH INDENTED RING IS REQUIRED ON 7050 RIVETS MANUFACTURED AFTER 2 JULY 1990
- 7 MANUFACTURER'S IDENTIFICATION IS REQUIRED TO BE DEPRESSED ON RIVET HEADS WITH A SHANK DIAMETER 125 INCH AND LARGER MANUFACTURED AFTER 2 JULY 1990
- 8 ALUMINUM ALLOY 2017-T4 RIVETS WITH 33KSI MIN UNDRIVEN SHEAR STRENGTH ARE ACCEPTABLE UNTIL 2 JULY 1990

**NOTES**

- 1 DIMENSIONS ARE IN INCHES UNLESS OTHERWISE SPECIFIED TOLERANCES DECIMALS ± .010
- 2 INTERCHANGEABILITY RELATION WITH AN470 RIVETS MS20470 RIVETS OF LIKE DASH NUMBERS ARE UNIVERSALLY, FUNCTIONALLY AND DIMENSIONABLY INTERCHANGEABLE.
- 3 IN THE EVENT OF A CONFLICT BETWEEN THE TEXT OF THIS STANDARD AND THE REFERENCES CITED HEREIN, THE TEXT OF THIS STANDARD SHALL TAKE PRECEDENCE
- 4 REFERENCED GOVERNMENT (OR NON-GOVERNMENT) DOCUMENTS OF THE ISSUE LISTED IN THAT ISSUE OF THE DEPARTMENT OF DEFENSE INDEX OF SPECIFICATIONS AND STANDARDS (DODISS) SPECIFIED IN THE SOLICITATION FORM A PART OF THIS STA TO THE EXTENT SPECIFIED HEREIN

PREPARING ACTIVITY NAVY-AS CUSTODIANS ARMY-AR NAVY- AIR FORCE-99 DLA- REVIEW AV, GL, IS, WE, MI, OS, 82 USER MC PROJECT NUMBER 5320-0806	<b>MILITARY SPECIFICATION SHEET</b>  TITLE  RIVET SOLID UNIVERSAL HEAD, ALUMINUM ALLOY AND TITANIUM COLUMBIUM ALLOY	SPECIFICATION SHEET NUMBER	
		MS20470	14 SEP 83 REV H
		SUPERSEDING	
DISTRIBUTION STATEMENT		MS20470 G	28 JAN 91
		AMSC- N/A	FSC 5320

A. Approved for public release distribution is unlimited.

THE REQUIREMENTS FOR ACQUIRING THE PRODUCT(S) DESCRIBED HEREIN SHALL CONSIST OF THIS SPECIFICATION SHEET AND THE ISSUE OF THE FOLLOWING SPECIFICATION LISTED IN THAT ISSUE OF THE DODSS SPECIFIED IN THE SOLICITATION MIL-R-5674

THIS SPECIFICATION IS APPROVED FOR USE BY ALL DEPARTMENTS AND AGENCIES OF THE DEPARTMENT OF DEFENSE

ALUMINUM 1100-F	ALUMINUM 2117-T4	ALUMINUM 5056-H32	ALUMINUM 2017-T4 INACTIVE	ALUMINUM 2024-T4 INACTIVE	ALUMINUM 7050-T73	ALUMINUM 2219-T81 INACTIVE	TITANIUM 45 Cb	ALUMINUM 2219-T62	LENGTH
DASH NO	DASH NO	DASH NO	DASH NO	DASH NO	DASH NO	DASH NO	DASH NO	DASH NO	
1/16 NOM DIA									
A2-3	AD2-3	B2-3	D2-3	DD2-3	E2-3	K2-3	T2-3	J2-3	188
A2-4	AD2-4	B2-4	D2-4	DD2-4	E2-4	K2-4	T2-4	J2-4	250
A2-5	AD2-5	B2-5	D2-5	DD2-5	E2-5	K2-5	T2-5	J2-5	312
A2-6	AD2-6	B2-6	D2-6	DD2-6	E2-6	K2-6	T2-6	J2-6	375
A2-7	AD2-7	B2-7	D2-7	DD2-7	E2-7	K2-7	T2-7	J2-7	438
A2-8	AD2-8	B2-8	D2-8	DD2-8	E2-8	K2-8	T2-8	J2-8	500
A2-9	AD2-9	B2-9	D2-9	DD2-9	E2-9	K2-9	T2-9	J2-9	562
A2-10	AD2-10	B2-10	D2-10	DD2-10	E2-10	K2-10	T2-10	J2-10	625
A2-12	AD2-12	B2-12	D2-12	DD2-12	E2-12	K2-12	T2-12	J2-12	750
A2-14	AD2-14	B2-14	D2-14	DD2-14	E2-14	K2-14	T2-14	J2-14	875
A2-16	AD2-16	B2-16	D2-16	DD2-16	E2-16	K2-16	T2-16	J2-16	1 000
A2-18	AD2-18	B2-18	D2-18	DD2-18	E2-18	K2-18	T2-18	J2-18	1 125
A2-20	AD2-20	B2-20	D2-20	DD2-20	E2-20	K2-20	T2-20	J2-20	1 250

ALUMINUM 1100-F	ALUMINUM 2117-T4	ALUMINUM 5056-H32	ALUMINUM 2017-T4 INACTIVE	ALUMINUM 2024-T4 INACTIVE	ALUMINUM 7050-T73	ALUMINUM 2219-T81 INACTIVE	TITANIUM 45 Cb	ALUMINUM 2219-T62	LENGTH
DASH NO	DASH NO	DASH NO	DASH NO	DASH NO	DASH NO	DASH NO	DASH NO	DASH NO	
3/32 NOM DIA									
A3-3	AD3-3	B3-3	D3-3	DD3-3	E3-3	K3-3	T3-3	J3-3	188
A3-4	AD3-4	B3-4	D3-4	DD3-4	E3-4	K3-4	T3-4	J3-4	250
A3-5	AD3-5	B3-5	D3-5	DD3-5	E3-5	K3-5	T3-5	J3-5	312
A3-6	AD3-6	B3-6	D3-6	DD3-6	E3-6	K3-6	T3-6	J3-6	375
A3-7	AD3-7	B3-7	D3-7	DD3-7	E3-7	K3-7	T3-7	J3-7	438
A3-8	AD3-8	B3-8	D3-8	DD3-8	E3-8	K3-8	T3-8	J3-8	500
A3-9	AD3-9	B3-9	D3-9	DD3-9	E3-9	K3-9	T3-9	J3-9	562
A3-10	AD3-10	B3-10	D3-10	DD3-10	E3-10	K3-10	T3-10	J3-10	625
A3-12	AD3-12	B3-12	D3-12	DD3-12	E3-12	K3-12	T3-12	J3-12	750
A3-14	AD3-14	B3-14	D3-14	DD3-14	E3-14	K3-14	T3-14	J3-14	875
A3-16	AD3-16	B3-16	D3-16	DD3-16	E3-16	K3-16	T3-16	J3-16	1 000
A3-18	AD3-18	B3-18	D3-18	DD3-18	E3-18	K3-18	T3-18	J3-18	1 125
A3-20	AD3-20	B3-20	D3-20	DD3-20	E3-20	K3-20	T3-20	J3-20	1 250
A3-22	AD3-22	B3-22	D3-22	DD3-22	E3-22	K3-22	T3-22	J3-22	1 375

ALUMINUM 1100-F	ALUMINUM 2117-T4	ALUMINUM 5056-H32	ALUMINUM 2017-T4 INACTIVE	ALUMINUM 2024-T4 INACTIVE	ALUMINUM 7050-T73	ALUMINUM 2219-T81 INACTIVE	TITANIUM 45 Cb	ALUMINUM 2219-T62	LENGTH
DASH NO	DASH NO	DASH NO	DASH NO	DASH NO	DASH NO	DASH NO	DASH NO	DASH NO	
1/8 NOM DIA									
A4-3	AD4-3	B4-3	D4-3	DD4-3	E4-3	K4-3	T4-3	J4-3	188
	AD4-3-5	B4-3-5				K4-3-5	T4-3-5	J4-3-5	218
A4-4	AD4-4	B4-4	D4-4	DD4-4	E4-4	K4-4	T4-4	J4-4	250
	AD4-4-5	B4-4-5				K4-4-5	T4-4-5	J4-4-5	281
A4-5	AD4-5	B4-5	D4-5	DD4-5	E4-5	K4-5	T4-5	J4-5	312
A4-6	AD4-6	B4-6	D4-6	DD4-6	E4-6	K4-6	T4-6	J4-6	375
A4-7	AD4-7	B4-7	D4-7	DD4-7	E4-7	K4-7	T4-7	J4-7	438
A4-8	AD4-8	B4-8	D4-8	DD4-8	E4-8	K4-8	T4-8	J4-8	500
A4-9	AD4-9	B4-9	D4-9	DD4-9	E4-9	K4-9	T4-9	J4-9	562
A4-10	AD4-10	B4-10	D4-10	DD4-10	E4-10	K4-10	T4-10	J4-10	625
	AD4-11	B4-11				K4-11	T4-11	J4-11	687
A4-12	AD4-12	B4-12	D4-12	DD4-12	E4-12	K4-12	T4-12	J4-12	750
A4-14	AD4-14	B4-14	D4-14	DD4-14	E4-14	K4-14	T4-14	J4-14	875
A4-16	AD4-16	B4-16	D4-16	DD4-16	E4-16	K4-16	T4-16	J4-16	1 000
A4-18	AD4-18	B4-18	D4-18	DD4-18	E4-18	K4-18	T4-18	J4-18	1 125
A4-20	AD4-20	B4-20	D4-20	DD4-20	E4-20	K4-20	T4-20	J4-20	1 250
A4-22	AD4-22	B4-22	D4-22	DD4-22	E4-22	K4-22	T4-22	J4-22	1 375
A4-24	AD4-24	B4-24	D4-24	DD4-24	E4-24	K4-24	T4-24	J4-24	1 500

PREPARING ACTVITY NAVY-AS CUSTDDMANS ARMY-AR NAVY- AIR FORCE-99 DLA- REVIEW AV, GL, IS, ME, MI, OS, 82 USER MC PROJECT NUMBER 5320-0806	MILITARY SPECIFICATION SHEET TITLE RIVET, SOLID UNIVERSAL HEAD ALUMINUM ALLOY AND TITANIUM COLUMBIUM ALLOY	SPECIFICATION SHEET NUMBER <b>MS20470</b>	14 SEP 93 REV M
		SUPERSEDING MS20470 C	28 JAN 91
		AMSC- N/A	FSC 5320
DISTRIBUTION STATEMENT A. Approved for public release distribution is unlimited		Page <u>3</u> of <u>5</u>	

DD Form 672, MAY 88

PREVIOUS EDITIONS ARE OBSOLETE

THE REQUIREMENTS FOR ACQUIRING THE PRODUCT(S) DESCRIBED HEREIN SHALL CONSIST OF THIS SPECIFICATION SHEET AND THE ISSUE OF THE FOLLOWING SPECIFICATION LISTED IN THAT ISSUE OF THE DODSS SPECIFIED IN THE SOLICITATION MIL-R-5674

THIS SPECIFICATION IS APPROVED FOR USE BY ALL DEPARTMENTS AND AGENCIES OF THE DEPARTMENT OF DEFENSE

Form Approved  
OMB No 0704-0188

ALUMINUM 1100-F	ALUMINUM 2117-T4	ALUMINUM 5056-H32	ALUMINUM 2017-T4 INACTIVE	ALUMINUM 2024-T4 INACTIVE	ALUMINUM 7050-T73	ALUMINUM 2219-T81 INACTIVE	ALUMINUM 2219-T62	TITANIUM 45 Cb	LENGTH
DASH NO	DASH NO	DASH NO	DASH NO	DASH NO	DASH NO	DASH NO	DASH NO	DASH NO	
3/32 NOM DIA									
A5-4	A05-4	B5-4	D5-4	DD5-4	E5-4	K5-4	J5-4	T5-4	.250
A5-5	A05-5	B5-5	D5-5	DD5-5	E5-5	K5-5	J5-5	T5-5	.312
A5-6	A05-6	B5-6	D5-6	DD5-6	E5-6	K5-6	J5-6	T5-6	.375
A5-7	A05-7	B5-7	D5-7	DD5-7	E5-7	K5-7	J5-7	T5-7	.438
A5-8	A05-8	B5-8	D5-8	DD5-8	E5-8	K5-8	J5-8	T5-8	.500
A5-9	A05-9	B5-9	D5-9	DD5-9	E5-9	K5-9	J5-9	T5-9	.562
A5-10	A05-10	B5-10	D5-10	DD5-10	E5-10	K5-10	J5-10	T5-10	.625
	A05-11					K5-11	J5-11		.687
A5-12	A05-12	B5-12	D5-12	DD5-12	E5-12	K5-12	J5-12	T5-12	.750
A5-14	A05-14	B5-14	D5-14	DD5-14	E5-14	K5-14	J5-14	T5-14	.875
A5-16	A05-16	B5-16	D5-16	DD5-16	E5-16	K5-16	J5-16	T5-16	1.000
	A05-17					K5-17			1.062
A5-18	A05-18	B5-18	D5-18	DD5-18	E5-18	K5-18	J5-18	T5-18	1.125
	A05-19					K5-19	J5-19		1.187
A5-20	A05-20	B5-20	D5-20	DD5-20	E5-20	K5-20	J5-20	T5-20	1.250
A5-22	A05-22	B5-22	D5-22	DD5-22	E5-22	K5-22	J5-22	T5-22	1.375
A5-24	A05-24	B5-24	D5-24	DD5-24	E5-24	K5-24	J5-24	T5-24	1.500
A5-28	A05-28	B5-28	D5-28	DD5-28	E5-28	K5-28	J5-28	T5-28	1.750

ALUMINUM 1100-F	ALUMINUM 2117-T4	ALUMINUM 5056-H32	ALUMINUM 2017-T4 INACTIVE	ALUMINUM 2024-T4 INACTIVE	ALUMINUM 7050-T73	ALUMINUM 2219-T81 INACTIVE	ALUMINUM 2219-T62	TITANIUM 45 Cb	LENGTH
DASH NO	DASH NO	DASH NO	DASH NO	DASH NO	DASH NO	DASH NO	DASH NO	DASH NO	
3/16 NOM DIA									
A6-4	A06-4	B6-4	D6-4	DD6-4	E6-4	K6-4	J6-4	T6-4	.250
A6-5	A06-5	B6-5	D6-5	DD6-5	E6-5	K6-5	J6-5	T6-5	.312
A6-6	A06-6	B6-6	D6-6	DD6-6	E6-6	K6-6	J6-6	T6-6	.375
A6-7	A06-7	B6-7	D6-7	DD6-7	E6-7	K6-7	J6-7	T6-7	.438
A6-8	A06-8	B6-8	D6-8	DD6-8	E6-8	K6-8	J6-8	T6-8	.500
A6-9	A06-9	B6-9	D6-9	DD6-9	E6-9	K6-9	J6-9	T6-9	.562
A6-10	A06-10	B6-10	D6-10	DD6-10	E6-10	K6-10	J6-10	T6-10	.625
	A06-11				E6-11				.687
A6-12	A06-12	B6-12	D6-12	DD6-12	E6-12	K6-12	J6-12	T6-12	.750
	A06-13								.812
A6-14	A06-14	B6-14	D6-14	DD6-14	E6-14	K6-14	J6-14	T6-14	.875
A6-16	A06-16	B6-16	D6-16	DD6-16	E6-16	K6-16	J6-16	T6-16	1.000
A6-18	A06-18	B6-18	D6-18	DD6-18	E6-18	K6-18	J6-18	T6-18	1.125
A6-20	A06-20	B6-20	D6-20	DD6-20	E6-20	K6-20	J6-20	T6-20	1.250
A6-22	A06-22	B6-22	D6-22	DD6-22	E6-22	K6-22	J6-22	T6-22	1.375
A6-24	A06-24	B6-24	D6-24	DD6-24	E6-24	K6-24	J6-24	T6-24	1.500
A6-28	A06-28	B6-28	D6-28	DD6-28	E6-28	K6-28	J6-28	T6-28	1.750
A6-32	A06-32	B6-32	D6-32	DD6-32	E6-32	K6-32	J6-32	T6-32	2.000
	A06-36								2.250
A6-40	A06-40	B6-40	D6-40	DD6-40	E6-40	K6-40	J6-40	T6-40	2.500
A6-48	A06-48	B6-48	D6-48	DD6-48	E6-48	K6-48	J6-48	T6-48	3.000

ALUMINUM 1100-F	ALUMINUM 2117-T4	ALUMINUM 5056-H32	ALUMINUM 2017-T4 INACTIVE	ALUMINUM 2024-T4 INACTIVE	ALUMINUM 7050-T73	ALUMINUM 2219-T81 INACTIVE	ALUMINUM 2219-T62	TITANIUM 45 Cb	LENGTH
DASH NO	DASH NO	DASH NO	DASH NO	DASH NO	DASH NO	DASH NO	DASH NO	DASH NO	
7/32 NOM DIA									
A7-6	A07-6	B7-6	D7-6	DD7-6	E7-6	K7-6	J7-6	T7-6	.375
A7-7	A07-7	B7-7	D7-7	DD7-7	E7-7	K7-7	J7-7	T7-7	.438
A7-8	A07-8	B7-8	D7-8	DD7-8	E7-8	K7-8	J7-8	T7-8	.500
A7-9	A07-9	B7-9	D7-9	DD7-9	E7-9	K7-9	J7-9	T7-9	.562
A7-10	A07-10	B7-10	D7-10	DD7-10	E7-10	K7-10	J7-10	T7-10	.625
A7-12	A07-12	B7-12	D7-12	DD7-12	E7-12	K7-12	J7-12	T7-12	.750
A7-14	A07-14	B7-14	D7-14	DD7-14	E7-14	K7-14	J7-14	T7-14	.875
A7-16	A07-16	B7-16	D7-16	DD7-16	E7-16	K7-16	J7-16	T7-16	1.000
A7-18	A07-18	B7-18	D7-18	DD7-18	E7-18	K7-18	J7-18	T7-18	1.125
A7-20	A07-20	B7-20	D7-20	DD7-20	E7-20	K7-20	J7-20	T7-20	1.250
A7-22	A07-22	B7-22	D7-22	DD7-22	E7-22	K7-22	J7-22	T7-22	1.375
A7-24	A07-24	B7-24	D7-24	DD7-24	E7-24	K7-24	J7-24	T7-24	1.500
A7-28	A07-28	B7-28	D7-28	DD7-28	E7-28	K7-28	J7-28	T7-28	1.750
A7-32	A07-32	B7-32	D7-32	DD7-32	E7-32	K7-32	J7-32	T7-32	2.000
A7-40	A07-40	B7-40	D7-40	DD7-40	E7-40	K7-40	J7-40	T7-40	2.500
A7-48	A07-48	B7-48	D7-48	DD7-48	E7-48	K7-48	J7-48	T7-48	3.000
A7-56	A07-56	B7-56	D7-56	DD7-56	E7-56	K7-56	J7-56	T7-56	3.500

PREPARING ACTIVITY NAVY-AS CUSTODIANS ARMY-AR NAVY- AIR FORCE-99 DLA- REVIEW AV, GL, IS, ME, MI, OS, 82 USER MC PROJECT NUMBER 5320-0806	MILITARY SPECIFICATION SHEET TITLE RIVET, SOLID UNIVERSAL HEAD, ALUMINUM ALLOY AND TITANIUM COLUMBIUM ALLOY	SPECIFICATION SHEET NUMBER MS20470 14 SEP 83 REV H SUPERSEDING MS20470 G 28 JAN 81 AMSC- N/A FSC 5320
DISTRIBUTION STATEMENT A. Approved for public release distribution is unlimited		Page 4 of 5

DD Form 672, MAY 88

PREVIOUS EDITIONS ARE OBSOLETE

THE REQUIREMENTS FOR ACQUIRING THE PRODUCT(S) DESCRIBED HEREIN SHALL CONSIST OF THIS SPECIFICATION SHEET AND THE ISSUE OF THE FOLLOWING SPECIFICATION LISTED IN THAT ISSUE OF THE DODDSS SPECIFIED IN THE SOLICITATION MIL-R-5874

THIS SPECIFICATION IS APPROVED FOR USE BY ALL DEPARTMENTS AND AGENCIES OF THE DEPARTMENT OF DEFENSE

Form Approved  
OMB No 0704-0188

ALUMINUM 1100-F	ALUMINUM 2117-T4	ALUMINUM 5056-H32	ALUMINUM 2017-T4 INACTIVE	ALUMINUM 2024-T4 INACTIVE	ALUMINUM 7050-T73	ALUMINUM 2219-TB1 INACTIVE	ALUMINUM 2219-T62	TITANIUM 45 Cb	LENGTH
DASH NO	DASH NO	DASH NO	DASH NO	DASH NO	DASH NO	DASH NO	DASH NO	DASH NO	
1/4 NOM DIA.									
A8-6	AD8-6	B8-6	D8-6	DD8-6	E8-6	K8-6	J8-6	T8-6	.375
A8-7	AD8-7	B8-7	D8-7	DD8-7	E8-7	K8-7	J8-7	T8-7	.438
A8-8	AD8-8	B8-8	D8-8	DD8-8	E8-8	K8-8	J8-8	T8-8	.500
A8-9	AD8-9	B8-9	D8-9	DD8-9	E8-9	K8-9	J8-9	T8-9	.562
A8-10	AD8-10	B8-10	D8-10	DD8-10	E8-10	K8-10	J8-10	T8-10	.625
A8-12	AD8-12	B8-12	D8-12	DD8-12	E8-12	K8-12	J8-12	T8-12	.750
A8-14	AD8-14	B8-14	D8-14	DD8-14	E8-14	K8-14	J8-14	T8-14	.875
A8-16	AD8-16	B8-16	D8-16	DD8-16	E8-16	K8-16	J8-16	T8-16	1.000
A8-18	AD8-18	B8-18	D8-18	DD8-18	E8-18	K8-18	J8-18	T8-18	1.125
A8-20	AD8-20	B8-20	D8-20	DD8-20	E8-20	K8-20	J8-20	T8-20	1.250
A8-22	AD8-22	B8-22	D8-22	DD8-22	E8-22	K8-22	J8-22	T8-22	1.375
A8-24	AD8-24	B8-24	D8-24	DD8-24	E8-24	K8-24	J8-24	T8-24	1.500
A8-28	AD8-28	B8-28	D8-28	DD8-28	E8-28	K8-28	J8-28	T8-28	1.750
A8-32	AD8-32	B8-32	D8-32	DD8-32	E8-32	K8-32	J8-32	T8-32	2.000
A8-40	AD8-40	B8-40	D8-40	DD8-40	E8-40	K8-40	J8-40	T8-40	2.500
A8-48	AD8-48	B8-48	D8-48	DD8-48	E8-48	K8-48	J8-48	T8-48	3.000
A8-56	AD8-56	B8-56	D8-56	DD8-56	E8-56	K8-56	J8-56	T8-56	3.500

ALUMINUM 1100-F	ALUMINUM 2117-T4	ALUMINUM 5056-H32	ALUMINUM 2017-T4 INACTIVE	ALUMINUM 2024-T4 INACTIVE	ALUMINUM 7050-T73	ALUMINUM 2219-TB1 INACTIVE	ALUMINUM 2219-T62	TITANIUM 45 Cb	LENGTH
DASH NO	DASH NO	DASH NO	DASH NO	DASH NO	DASH NO	DASH NO	DASH NO	DASH NO	
5/16 NOM DIA.									
A10-8	AD10-8	B10-8	D10-8	DD10-8	E10-8	K10-8	J10-8	T10-8	.500
A10-9	AD10-9	B10-9	D10-9	DD10-9	E10-9	K10-9	J10-9	T10-9	.562
A10-10	AD10-10	B10-10	D10-10	DD10-10	E10-10	K10-10	J10-10	T10-10	.625
A10-12	AD10-12	B10-12	D10-12	DD10-12	E10-12	K10-12	J10-12	T10-12	.750
A10-14	AD10-14	B10-14	D10-14	DD10-14	E10-14	K10-14	J10-14	T10-14	.875
A10-16	AD10-16	B10-16	D10-16	DD10-16	E10-16	K10-16	J10-16	T10-16	1.000
A10-18	AD10-18	B10-18	D10-18	DD10-18	E10-18	K10-18	J10-18	T10-18	1.125
A10-20	AD10-20	B10-20	D10-20	DD10-20	E10-20	K10-20	J10-20	T10-20	1.250
A10-22	AD10-22	B10-22	D10-22	DD10-22	E10-22	K10-22	J10-22	T10-22	1.375
A10-24	AD10-24	B10-24	D10-24	DD10-24	E10-24	K10-24	J10-24	T10-24	1.500
A10-28	AD10-28	B10-28	D10-28	DD10-28	E10-28	K10-28	J10-28	T10-28	1.750
A10-32	AD10-32	B10-32	D10-32	DD10-32	E10-32	K10-32	J10-32	T10-32	2.000
A10-40	AD10-40	B10-40	D10-40	DD10-40	E10-40	K10-40	J10-40	T10-40	2.500
A10-48	AD10-48	B10-48	D10-48	DD10-48	E10-48	K10-48	J10-48	T10-48	3.000
A10-56	AD10-56	B10-56	D10-56	DD10-56	E10-56	K10-56	J10-56	T10-56	3.500
A10-64	AD10-64	B10-64	D10-64	DD10-64	E10-64	K10-64	J10-64	T10-64	4.000

ALUMINUM 1100-F	ALUMINUM 2117-T4	ALUMINUM 5056-H32	ALUMINUM 2017-T4 INACTIVE	ALUMINUM 2024-T4 INACTIVE	ALUMINUM 7050-T73	ALUMINUM 2219-TB1 INACTIVE	ALUMINUM 2219-T62	TITANIUM 45 Cb	LENGTH
DASH NO	DASH NO	DASH NO	DASH NO	DASH NO	DASH NO	DASH NO	DASH NO	DASH NO	
3/18 NOM DIA.									
A12-10	AD12-10	B12-10	D12-10	DD12-10	E12-10	K12-10	J12-10	T12-10	.625
A12-12	AD12-12	B12-12	D12-12	DD12-12	E12-12	K12-12	J12-12	T12-12	.750
A12-14	AD12-14	B12-14	D12-14	DD12-14	E12-14	K12-14	J12-14	T12-14	.875
A12-16	AD12-16	B12-16	D12-16	DD12-16	E12-16	K12-16	J12-16	T12-16	1.000
A12-18	AD12-18	B12-18	D12-18	DD12-18	E12-18	K12-18	J12-18	T12-18	1.125
A12-20	AD12-20	B12-20	D12-20	DD12-20	E12-20	K12-20	J12-20	T12-20	1.250
A12-22	AD12-22	B12-22	D12-22	DD12-22	E12-22	K12-22	J12-22	T12-22	1.375
A12-24	AD12-24	B12-24	D12-24	DD12-24	E12-24	K12-24	J12-24	T12-24	1.500
A12-28	AD12-28	B12-28	D12-28	DD12-28	E12-28	K12-28	J12-28	T12-28	1.750
A12-32	AD12-32	B12-32	D12-32	DD12-32	E12-32	K12-32	J12-32	T12-32	2.000
A12-40	AD12-40	B12-40	D12-40	DD12-40	E12-40	K12-40	J12-40	T12-40	2.500
A12-48	AD12-48	B12-48	D12-48	DD12-48	E12-48	K12-48	J12-48	T12-48	3.000
A12-56	AD12-56	B12-56	D12-56	DD12-56	E12-56	K12-56	J12-56	T12-56	3.500
A12-64	AD12-64	B12-64	D12-64	DD12-64	E12-64	K12-64	J12-64	T12-64	4.000

PREPARING ACTMITY NAVY-AS  
CUSTODIANS ARMY-AR NAVY-  
AIR FORCE-99 DLA-  
REVIEW AV, GL, IS, ME, MI, OS, 82  
USER MC  
PROJECT NUMBER 3320-0806

**MILITARY SPECIFICATION SHEET**

TITLE  
RIVET, SOLID UNIVERSAL HEAD,  
ALUMINUM ALLOY AND TITANIUM  
COLUMBIUM ALLOY

SPECIFICATION SHEET NUMBER  
**MS20470** 14 SEP 93  
REV H

SUPERSEDING  
MS20470 G 28 JAN 91

AMSC- N/A FSC 5320

DISTRIBUTION STATEMENT  
A. Approved for public release, distribution is unlimited

Page 5 of 5

DD Form 672, MAY 88

PREVIOUS EDITIONS ARE OBSOLETE