

Cue Cards and Procedural Decals Book

**Mission Operations Directorate
Operations Division**

**Generic, Rev D
July 8, 2005**

NOTE

For STS-114 and subsequent flights

National Aeronautics and
Space Administration

Lyndon B. Johnson Space Center
Houston, Texas



United Space Alliance

MISSION OPERATIONS DIRECTORATE
CUE CARDS AND PROCEDURAL DECALS BOOK

GENERIC, REVISION D
July 8, 2005

PREPARED BY:



Carol H. Pierce
Publication Manager

APPROVED BY:



Kimberly A. Johnson
Manager, Shuttle Procedures Management



Michael T. Hurt
FDF Manager

This document is under the configuration control of the Crew Procedures Control Board (CPCB). All proposed changes must be submitted on FDF Workflow Crew Procedure Change Request (CR) to DO3/FDF Manager.

Additional distribution of this book, for official use only, may be requested in writing to DO3/FDF Manager. The request must include justification and requester's name, organization, position, and phone number. Contractor requests are made through the NASA or DOD organization supported. Deletions, reduction in quantity, or change of address may be submitted to DO3/FDF Management Office, 281-244-1184.

Incorporates the following:	
482#:	CUE-503 CUE-504

AREAS OF TECHNICAL RESPONSIBILITY

Publication Manager	DO352/C. Pierce	281-483-6087
Backup Publication Manager	DO354/T. Vaughan	281-483-4180

NOTES

1. Location maps give the titles of those card procedures that are mounted initially. Cards listed as not shown on the location maps are stowed for launch.
2. The decals published in this document are provided for ground reference only to document the configuration of procedural decals that are actually flown.
3. All cue cards published in the Ascent Checklist, Entry Checklist, and Ascent/Entry Systems Procedures have critical size and Velcro location constraints. Any changes that may affect the card size, shape, or Velcro requirements must be coordinated with the Cue Cards and Procedural Decals Book Manager prior to publication. This requirement also applies to all other cue cards or overlays that must be placed in specific locations for use.
4. Maximum cue card size is 8-1/2" x 10-1/2" (stowage/fabrication constraint). Cue cards requiring larger than the maximum size must be coordinated with the Cue Card and Procedural Decals Book Manager.
5. CCTV overlays must be 6.5" x 8.5" for color monitors.
6. All cue cards must have Velcro on the back if single-sided and on the front and back if dual-sided.
7. All cue cards and overlays must have a card code and a title located inside the crop marks or outline for identification after fabrication.
8. Specific fabrication requirements or notes must be placed outside the crop marks or outline.

This Page Intentionally Blank

LIST OF EFFECTIVE PAGES

GENERIC 01/04/88

REV D 07/08/05

Sign Off.....	ALL/GEN D
ii.....	ALL/GEN D
iii.....	ALL/GEN D
iv.....	ALL/GEN D
v.....	ALL/GEN D
vi.....	ALL/GEN D
vii.....	ALL/GEN D
viii.....	ALL/GEN D
1-1.....	ALL/GEN D
1-2.....	ALL/GEN D
1-3.....	ALL/GEN D
1-4.....	ALL/GEN D
1-5.....	ALL/GEN D
1-6.....	ALL/GEN D
2-1.....	ALL/GEN D
2-2.....	ALL/GEN D
2-3.....	ALL/GEN D
2-4.....	ALL/GEN D
2-5.....	ALL/GEN D
2-6.....	ALL/GEN D
2-7.....	ALL/GEN D
2-8.....	ALL/GEN D
2-9.....	ALL/GEN D
2-10.....	ALL/GEN D
2-11.....	ALL/GEN D
2-12.....	ALL/GEN D
2-13.....	ALL/GEN D
2-14.....	ALL/GEN D
3-1.....	ALL/GEN D
3-2.....	ALL/GEN D
3-3.....	ALL/GEN D
3-4.....	ALL/GEN D
4-1.....	ALL/GEN D
4-2.....	ALL/GEN D
4-3.....	ALL/GEN D
4-4.....	ALL/GEN D
4-5.....	ALL/GEN D
4-6.....	ALL/GEN D
4-7.....	ALL/GEN D
4-8.....	ALL/GEN D
4-9.....	ALL/GEN D
4-10.....	ALL/GEN D

* – No flight book published

This Page Intentionally Blank

<u>CONTENTS</u>	<u>PAGE</u>
<u>CUE CARD LOCATION MAPS</u>	1-1
ASCENT	1-3
OMS 2 BURN	1-4
DEORBIT BURN.....	1-5
ENTRY.....	1-6
 <u>ORBITER PROCEDURAL DECALS</u>	 2-1
COMM PANEL ACTIVATION	
O5, O9, L9, R10, AND AW18D.....	2-3
PANEL C5	2-4
FIRE EXTINGUISHER.....	2-5
HATCH DECALS	2-6
EMERGENCY EGRESS PRYBAR.....	2-8
CABIN VENT/HATCH JETT INSTRUCTIONS	2-9
EMERGENCY EGRESS SLIDE	2-11
ESCAPE POLE DEPLOYMENT	2-13
 <u>LOOSE EQUIPMENT PROCEDURAL DECALS</u>	 3-1
AIR SAMPLE BOTTLE	3-3
GYRO STABILIZED BINOCULARS	3-4
 <u>SURVIVAL EQUIPMENT PROCEDURAL DECALS</u>	 4-1
MK 124 SMOKE AND ILLUMINATION SIGNAL OPERATION	4-3
MIRROR SIGNALING.....	4-4
PRC-112 SURVIVAL RADIO OPERATION AND PROCEDURES.....	4-5
SARSAT PERSONAL LOCATOR BEACON OPERATIONS.....	4-6
EMERGENCY DRINKING WATER	4-7
ILLUMINATION SIGNAL KIT	4-8
LIGHTSTICK.....	4-9
SEA DYE MARKER.....	4-10

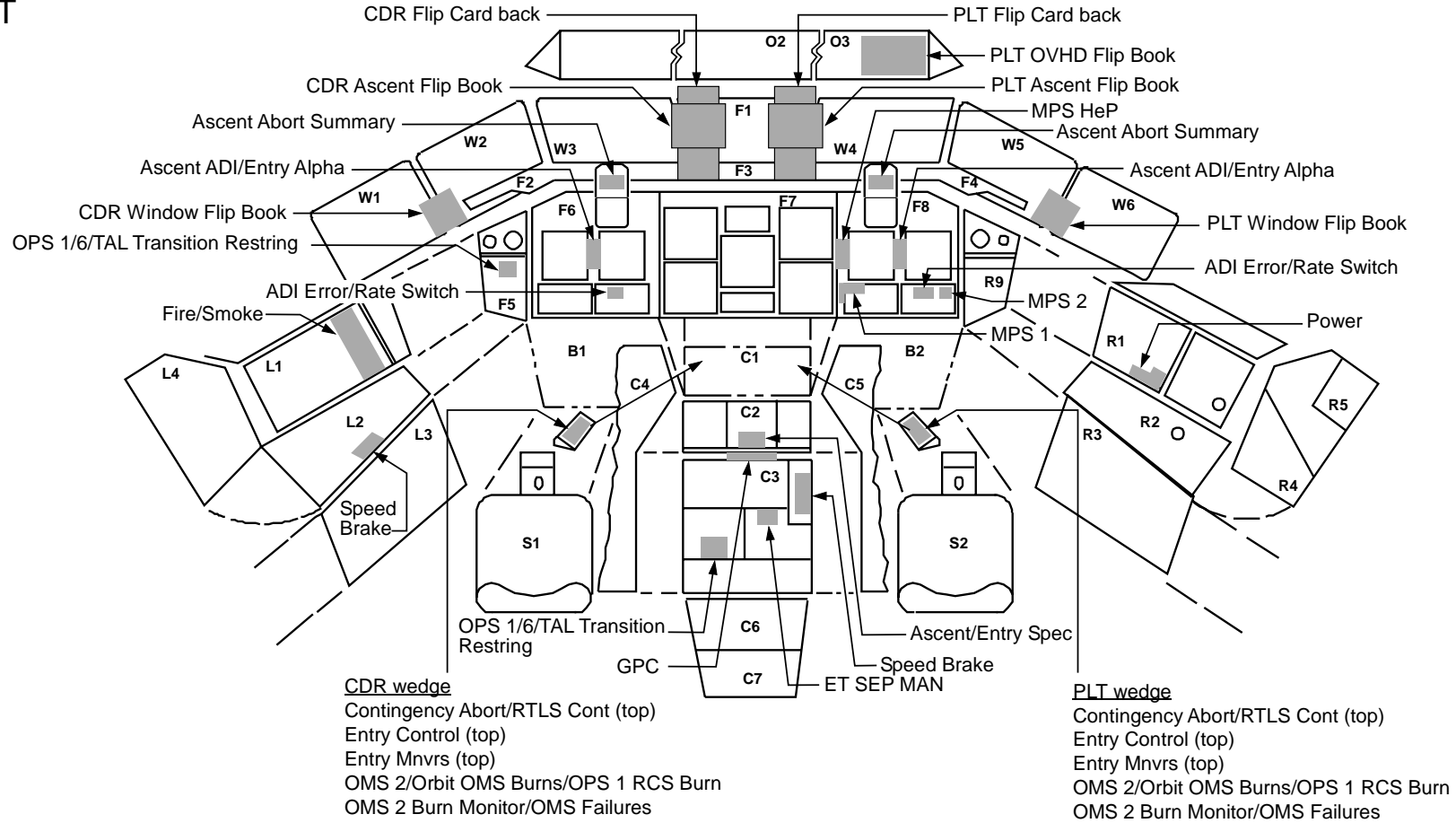
This Page Intentionally Blank

CUE CARD LOCATION MAPS

ASCENT	1-3	
OMS 2 BURN	1-4	
DEORBIT BURN	1-5	
ENTRY	1-6	

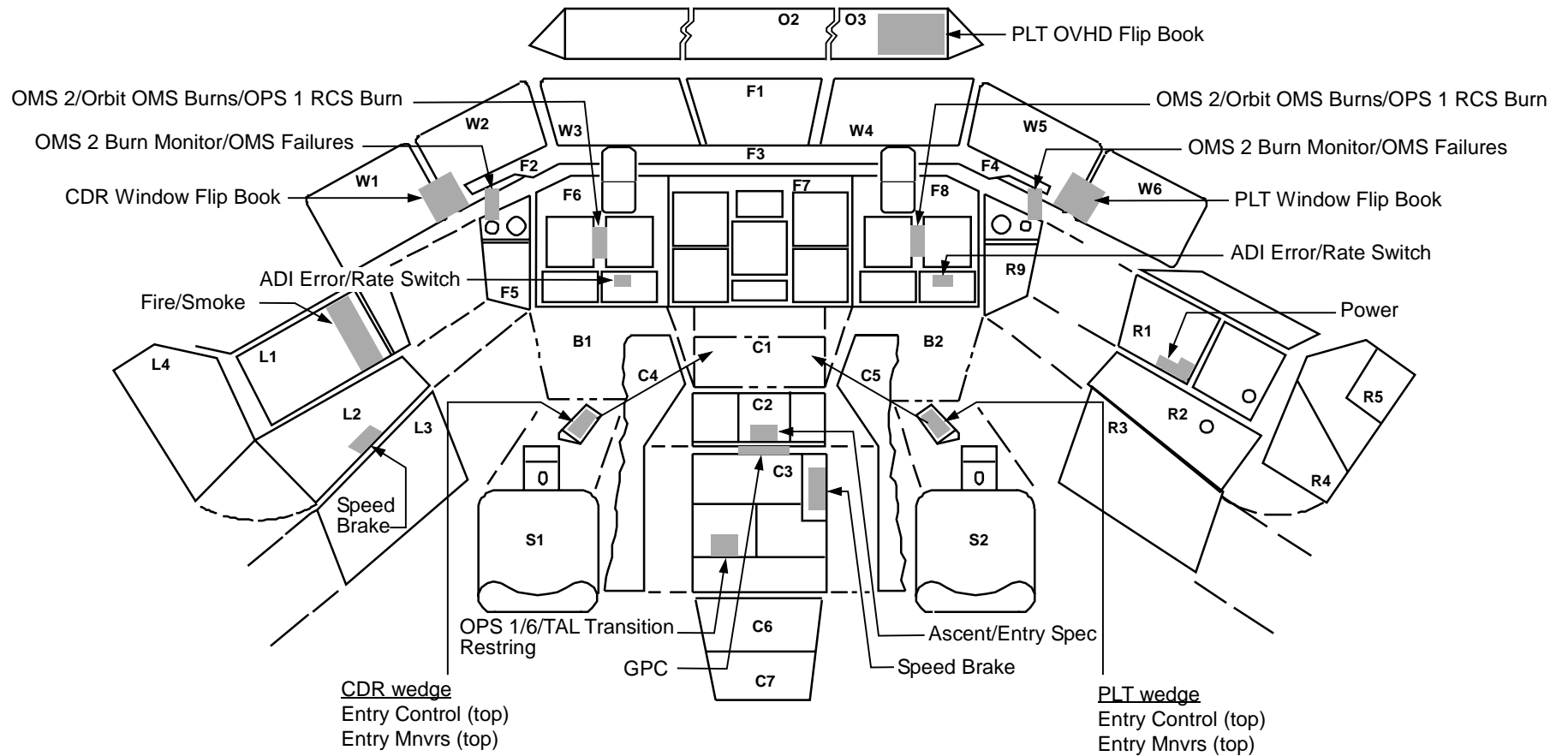
This Page Intentionally Blank

ASCENT



Not shown: Escape PNL Egress (back of CDR headrest)
 Emergency Egress (back of PLT, CDR seats and on middeck FWD lockers)
 TAL (back of CDR/PLT seat)
 Ascent Abort Summary (back of PLT seat)
 Contingency Abort/RTLS cont (back of CDR/PLT seats)
 Panel R14 (stbd side of flt deck)
 ET Photo (ovhd window)
 LOC/Breakup (optional)
 Urine Collection (middeck)
 CO2 Absorber Replacement (middeck)
 Ergometer (middeck)

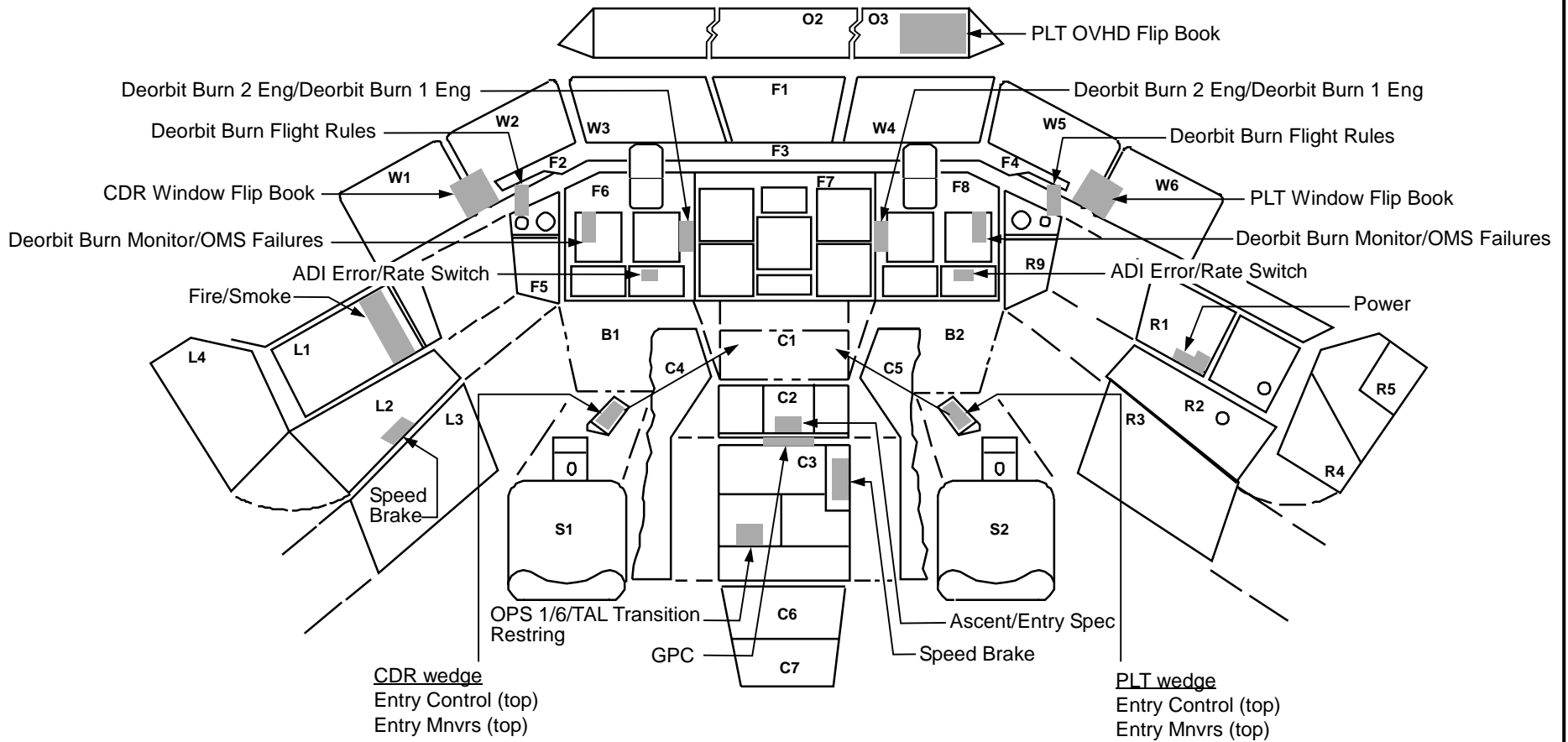
OMS 2 BURN



1-4

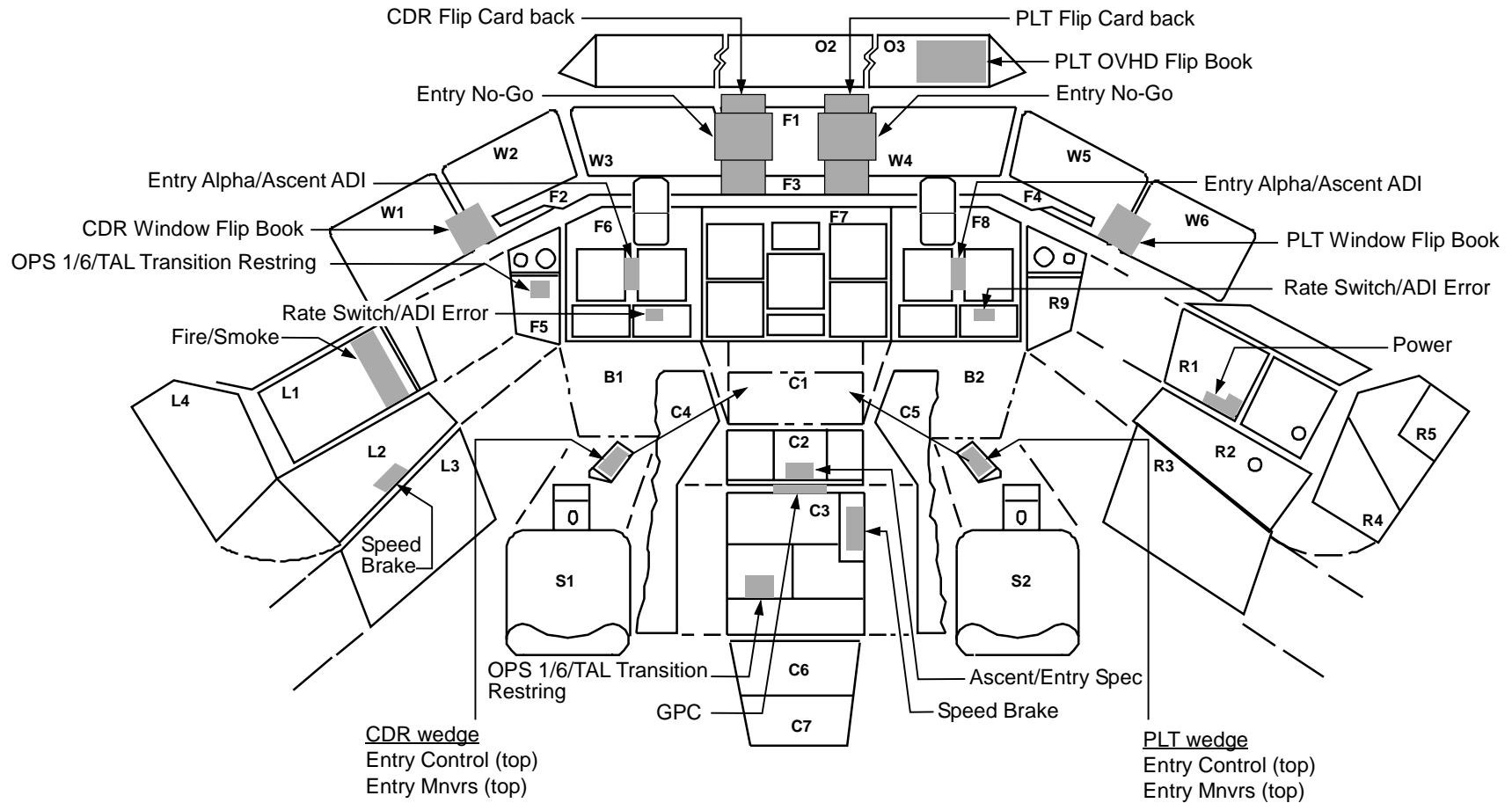
CUE/ALL/GEN D

DEORBIT BURN



Not shown: Escape PNL Egress (back of CDR headrest)
 Emergency Egress (back of PLT, CDR seats and on middeck FWD lockers)
 Panel R14 (stbd side of flt deck)
 Deorbit Burn (RCS)
 Unbalanced Prplt Deorbit Burn/Deorbit Burn (Mixed Xfeed)

ENTRY



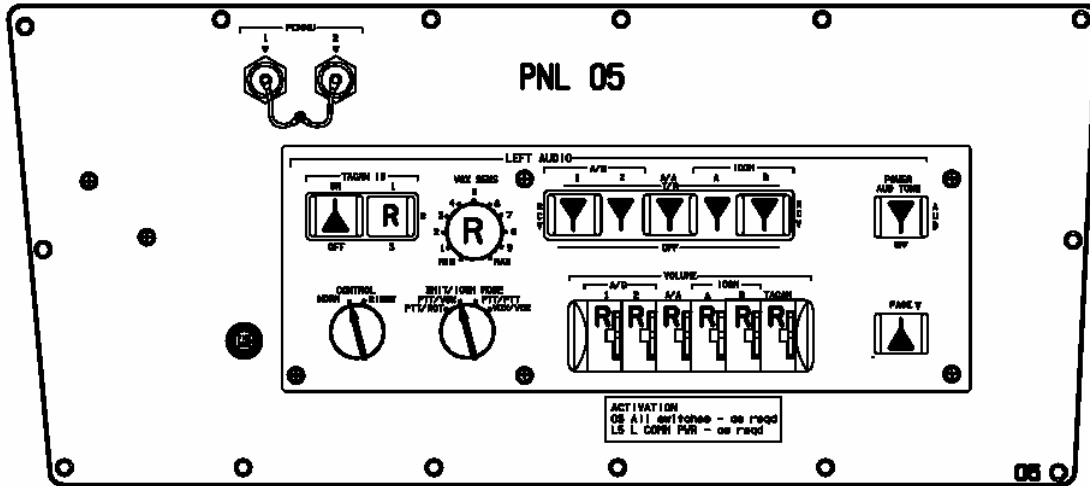
Not shown: Escape PNL Egress (back of CDR headrest)
 Emergency Egress (back of PLT, CDR seats and on middeck FWD lockers)
 Panel R14 (stbd side of flt deck)

ORBITER PROCEDURAL DECALS

COMM PANEL ACTIVATION	
O5, O9, L9, R10, AND AW18D.....	2-3
PANEL C5	2-4
FIRE EXTINGUISHER	2-5
HATCH DECALS.....	2-6
EMERGENCY EGRESS PRYBAR.....	2-8
CABIN VENT/HATCH JETT INSTRUCTIONS	2-9
EMERGENCY EGRESS SLIDE	2-11
ESCAPE POLE DEPLOYMENT.....	2-13

This Page Intentionally Blank

COMM PANEL ACTIVATION
O5, O9, L9, R10, AND AW18D



ACTIVATION
O5 All switches – as reqd
L5 L COMM PWR – as reqd

O5 ACTIVATION DECAL
(Left (CDR) Audio Station)

ACTIVATION
O9 R AUD PWR – AUD/TONE
All other sws – as reqd
R6 R COMM PWR – as reqd

O9 ACTIVATION DECAL
(Right (PLT) Audio Station)

ACTIVATION
L9 All switches – as reqd
A15 PS COMM CCU PWR – ON

L9 ACTIVATION DECAL
(PS Audio Station)

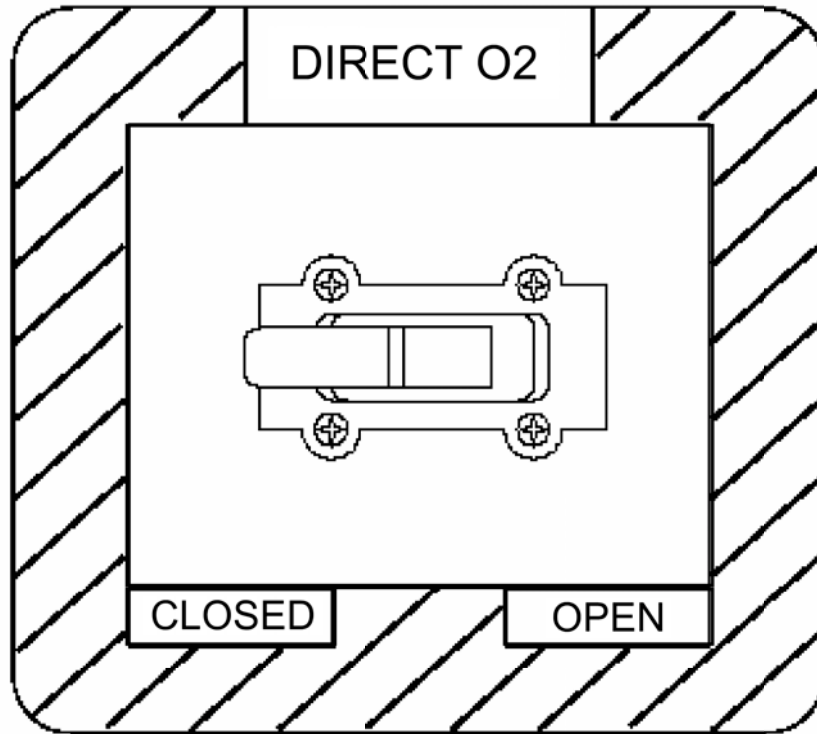
ACTIVATION
R10 MS AUD PWR – AUD/TONE
All other sws – as reqd
R12 MS AUD CNTL – NORM
A11 MS COMM CCU PWR – ON

R10 ACTIVATION DECAL
(MS Audio Station)

ACTIVATION
AW18D All switches – as reqd
AW82D CCU 1, 2 PWR – as reqd

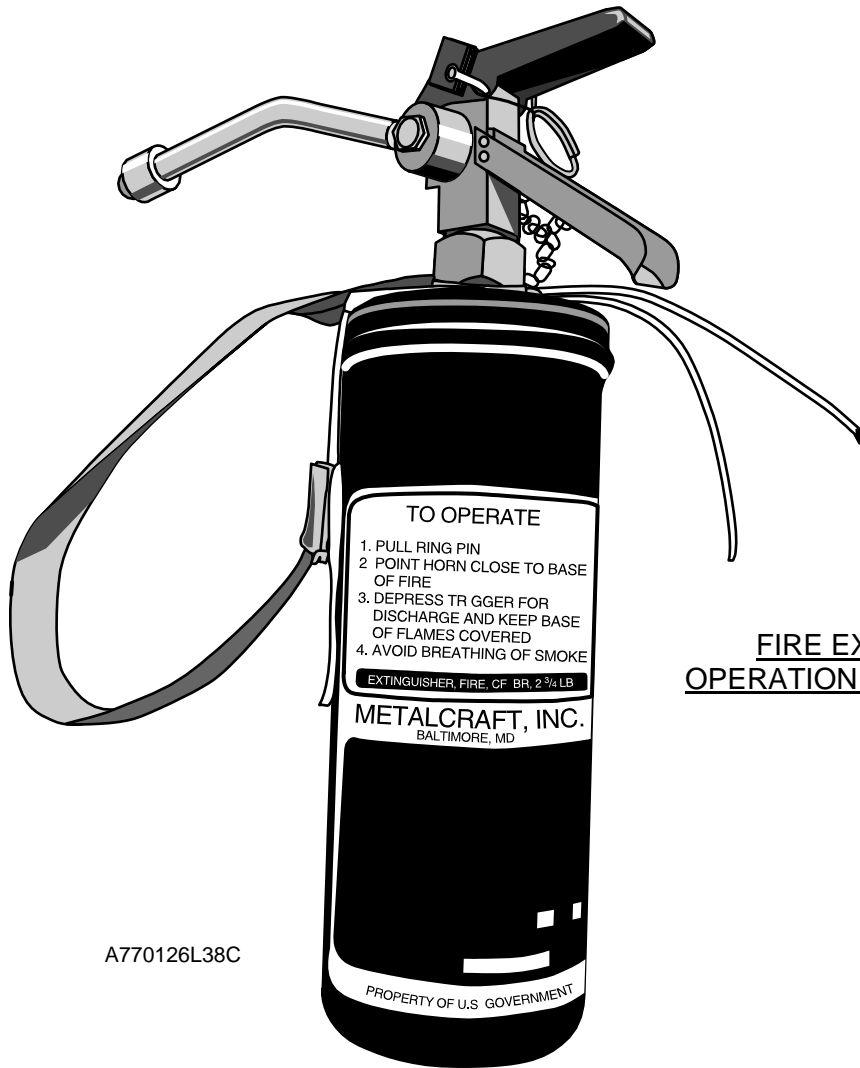
AW18D ACTIVATION DECAL
(Airlock Audio Station)

PANEL C5



19409E_C5.PNL;1

FIRE EXTINGUISHER



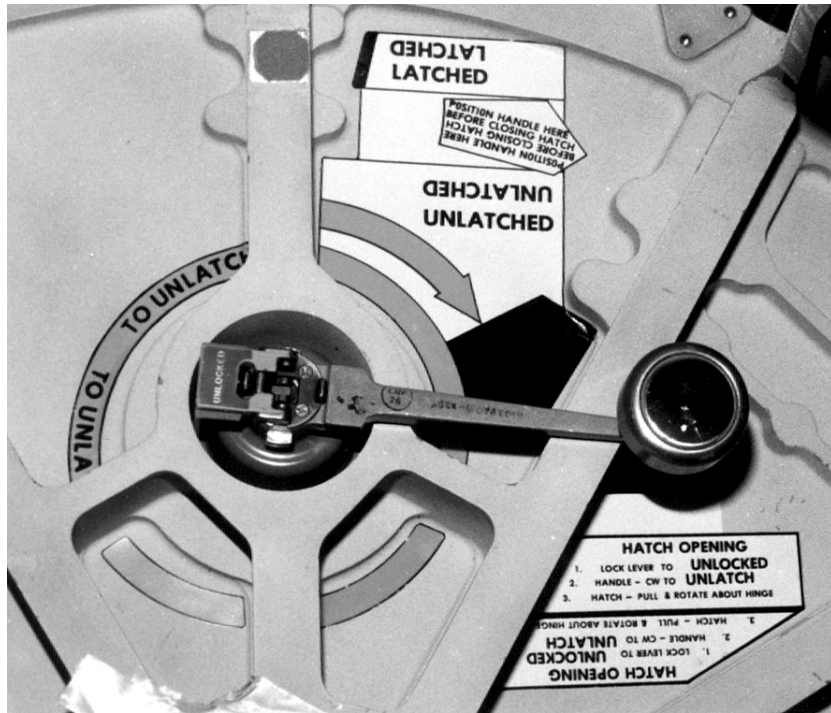
A770126L38C

FIRE EXTINGUISHER
OPERATION DECAL LOCATION

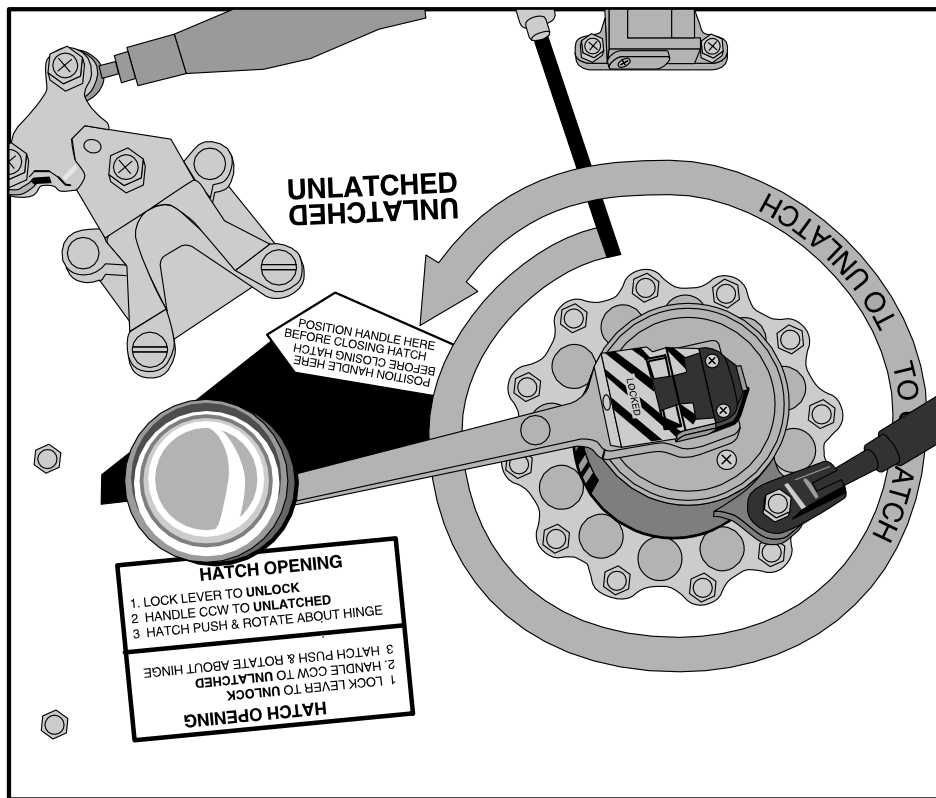
FIRE EXTINGUISHER
OPERATION DECAL

<p>TO OPERATE</p> <ol style="list-style-type: none">1 PULL RING PIN2 POINT HORN CLOSE TO BASE OF FIRE3 DEPRESS TRIGGER FOR DISCHARGE AND KEEP BASE OF FLAMES COVERED4 AVOID BREATHING OF SMOKE <p>EXTINGUISHER, FIRE, CF₃ Br, 2 3/4 LB</p>
--

HATCH DECALS

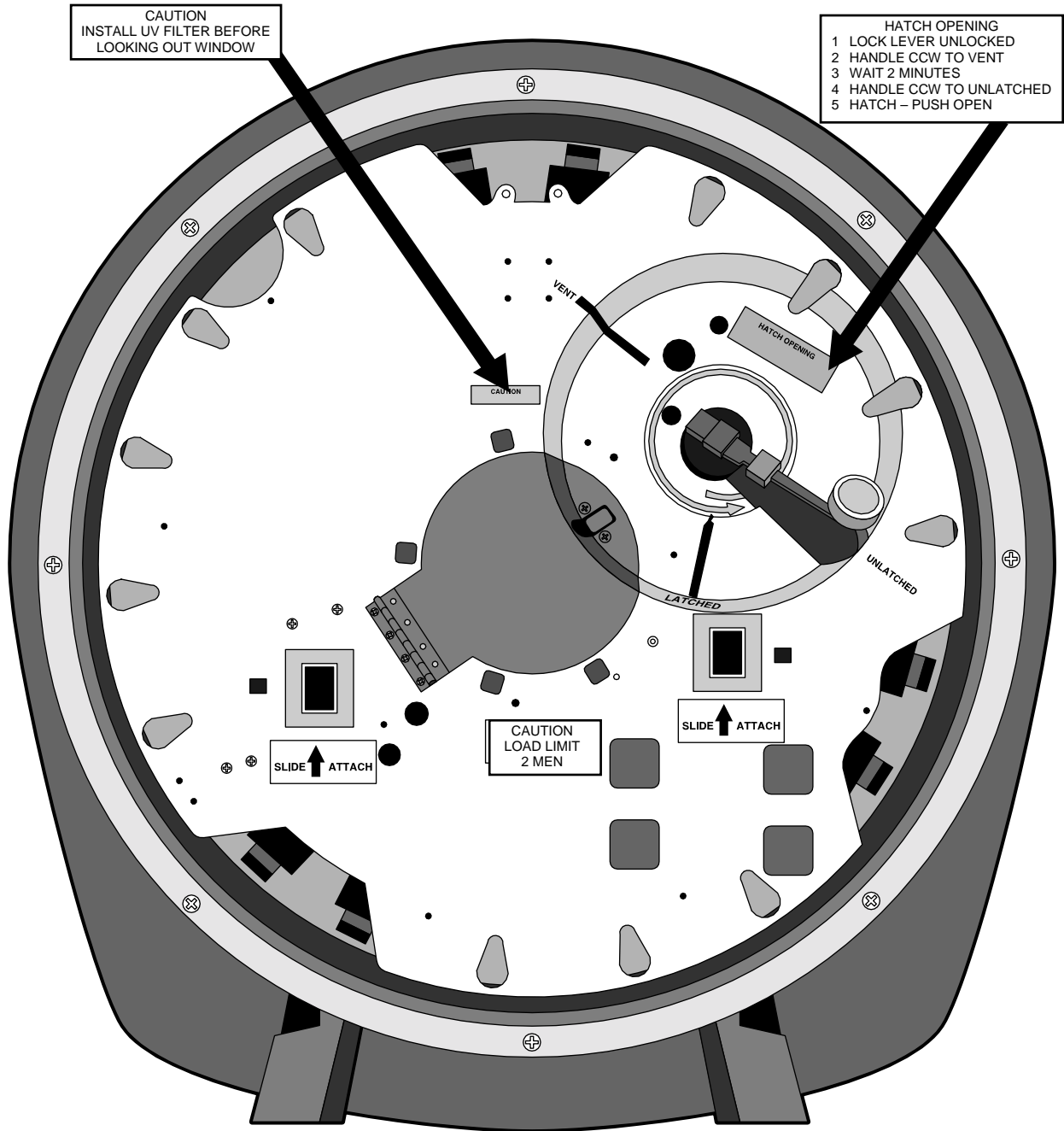


INNER/OUTER/EVA HATCH OPENING/CLOSING DECALS
(Crewmodule Side)



INNER/OUTER/EVA HATCH OPENING/CLOSING DECALS
(Payload Bay Side)

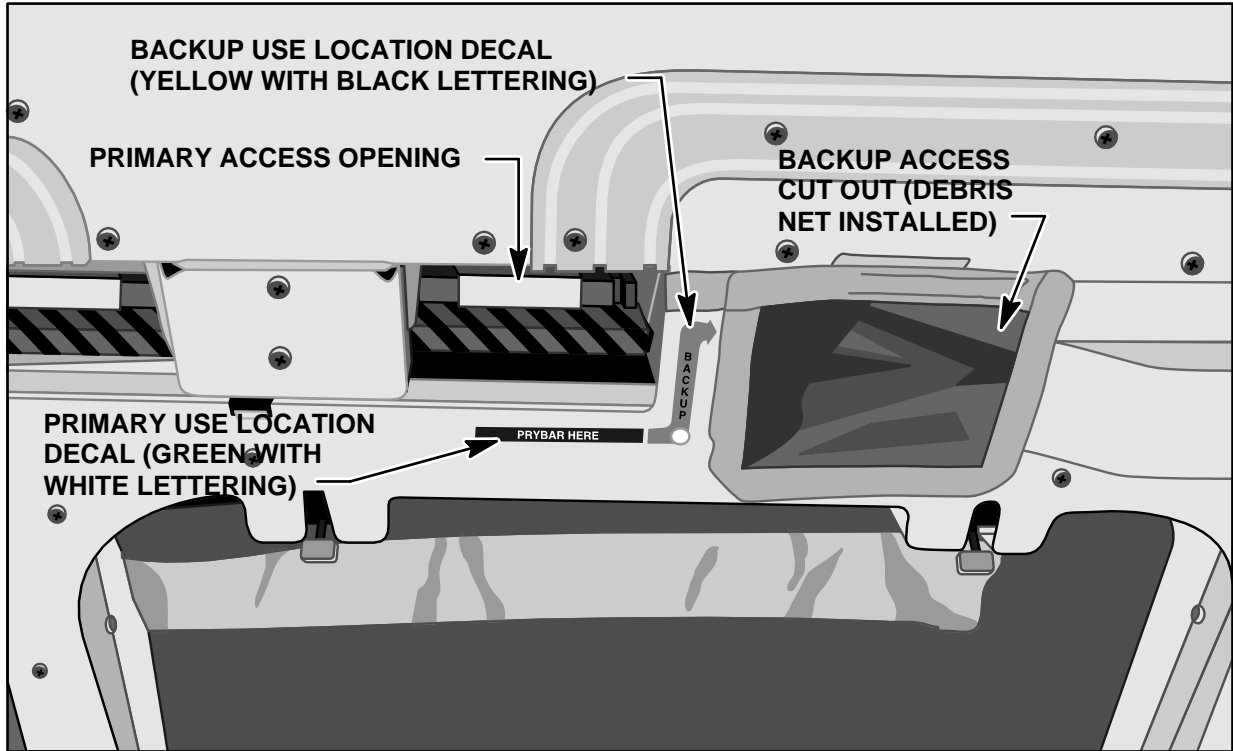
HATCH DECALS (Concluded)



j_48013_60_QC4_9

SIDE HATCH OPENING DECALS

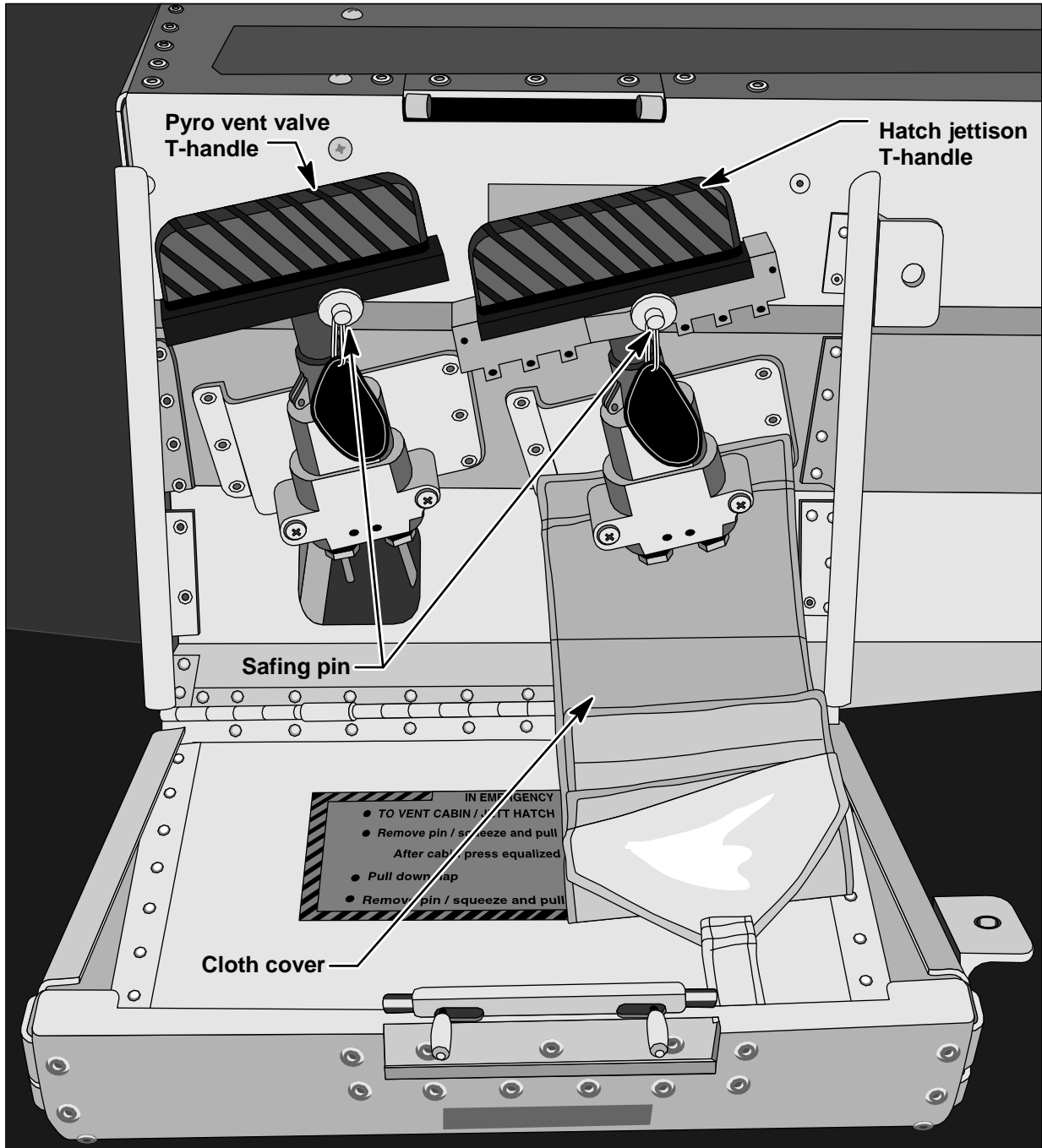
EMERGENCY EGRESS PRYBAR



j_48013_60_013

EMERGENCY EGRESS PRYBAR USE DECALS

CABIN VENT/HATCH JETT INSTRUCTIONS



j_48013_60_5_13

CABIN VENT/HATCH JETT INSTRUCTIONS (Concluded)

DECAL ON OUTSIDE OF "T" HANDLE COVER DOOR:

- **BEFORE LAUNCH/ENTRY**
 - **REMOVE DOOR PIN**
- **POST LAUNCH/LANDING**
 - **INSTALL DOOR PIN**

DECAL ADJACENT TO DOOR LATCHES:



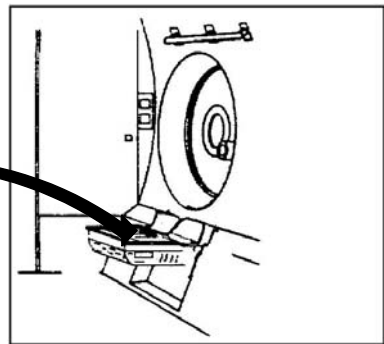
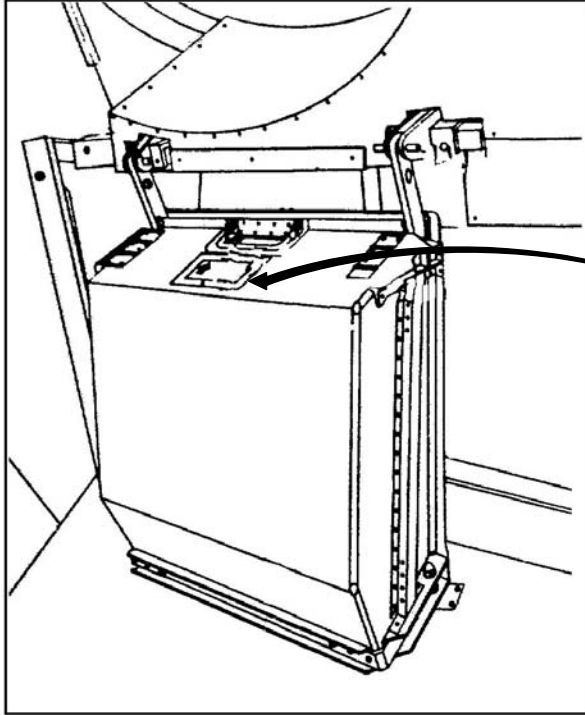
yellow background
black letters

DECAL ON INSIDE OF DOOR:

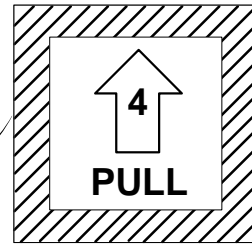
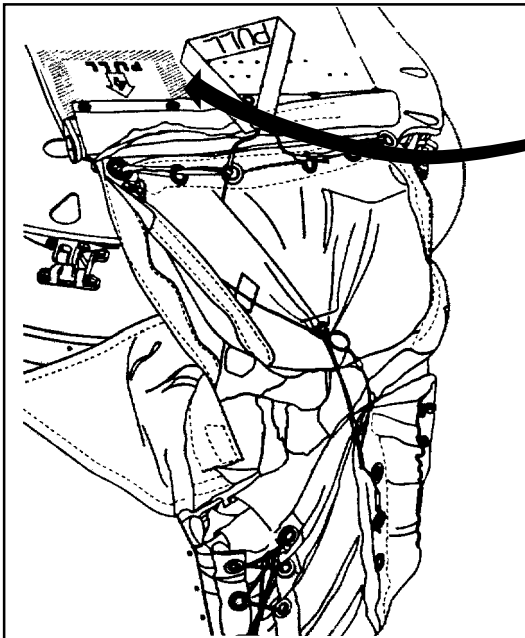
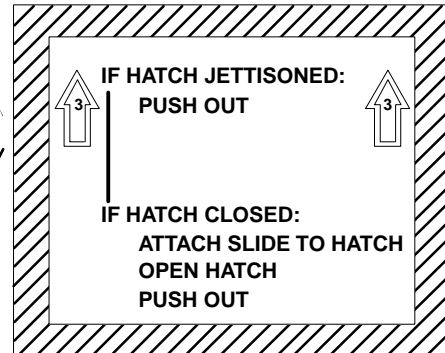
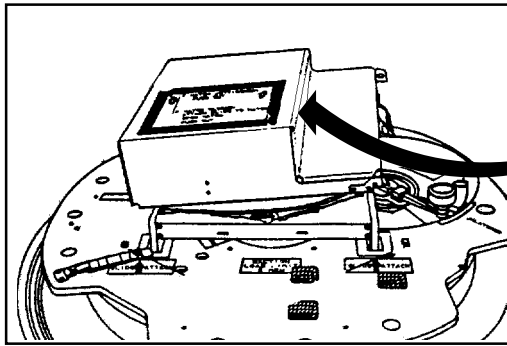
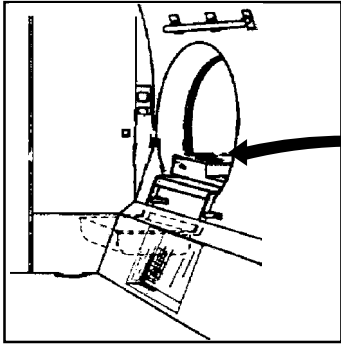
A large rectangular decal with a white background and black text, set against a background of diagonal hatching. At the top, it reads "IN EMERGENCY". Below this, it lists instructions for venting the cabin/jett hatch.

- **TO VENT CABIN/JETT HATCH**
 - **REMOVE PIN/SQUEEZE AND PULL VENT HANDLE**
 - AFTER CABIN PRESS EQUALIZED:**
 - **PULL DOWN FLAP**
 - **REMOVE PIN/SQUEEZE AND PULL JETT HANDLE**

EMERGENCY EGRESS SLIDE



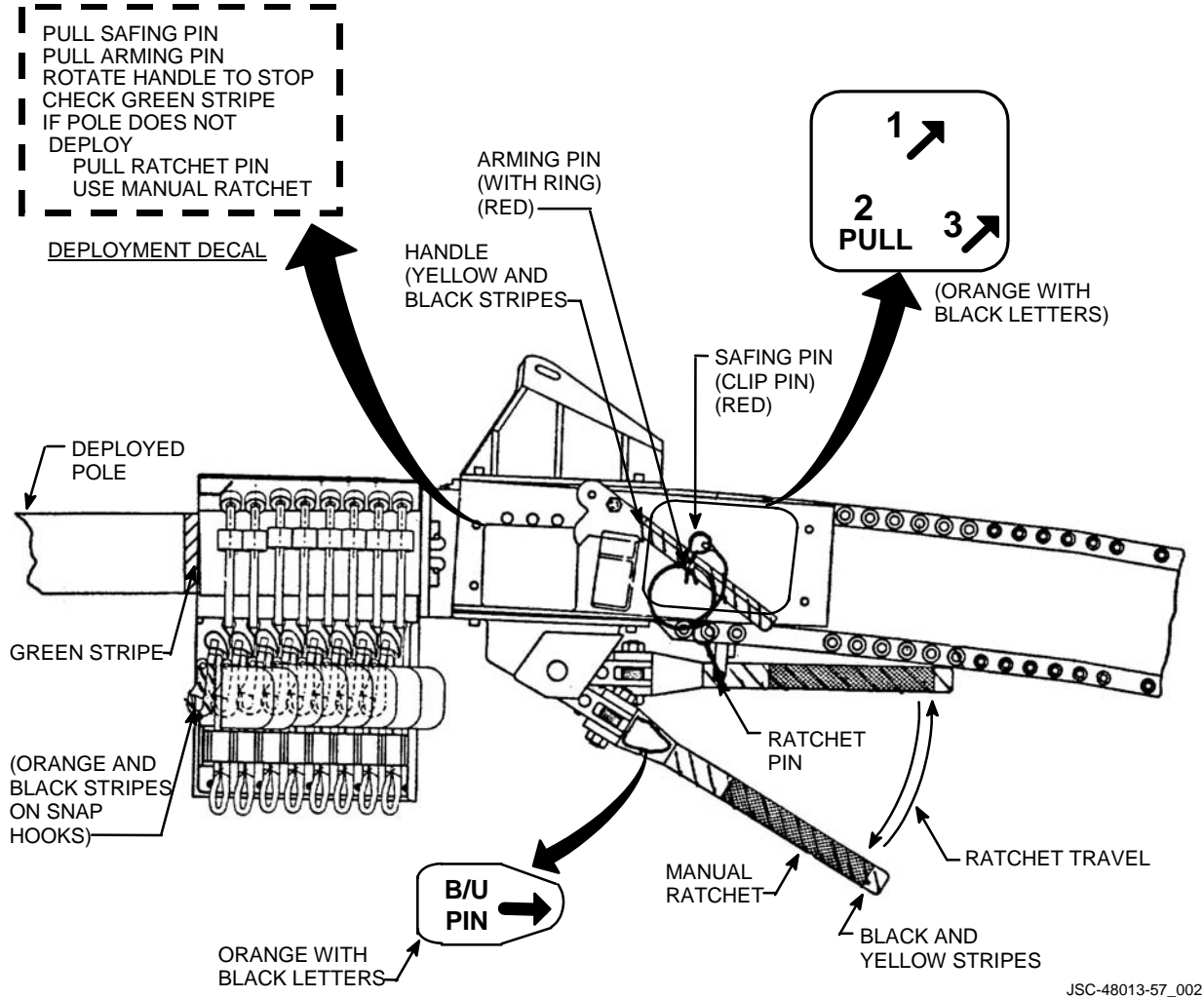
EMERGENCY EGRESS SLIDE (Concluded)



**PACKED VALISE HANGING OFF SIDE HATCH
PRIOR TO SLIDE DEPLOYMENT**

jsc38013_004r1.cvx

ESCAPE POLE DEPLOYMENT



This Page Intentionally Blank

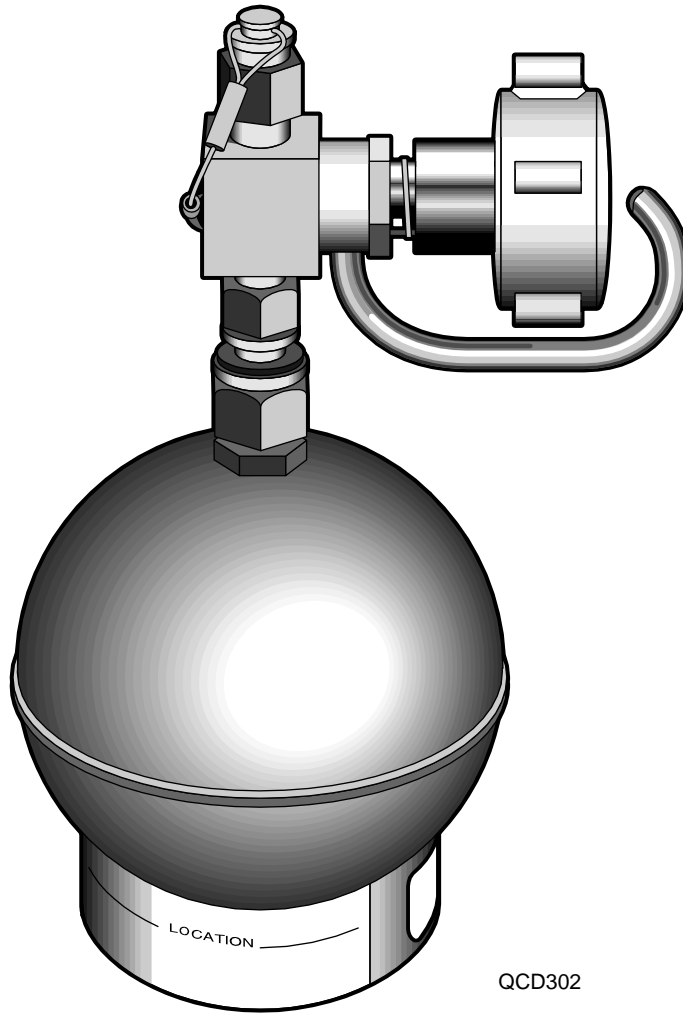
LOOSE EQUIPMENT PROCEDURAL DECALS

AIR SAMPLE BOTTLE 3-3
GYRO STABILIZED BINOCULARS 3-4

|

This Page Intentionally Blank

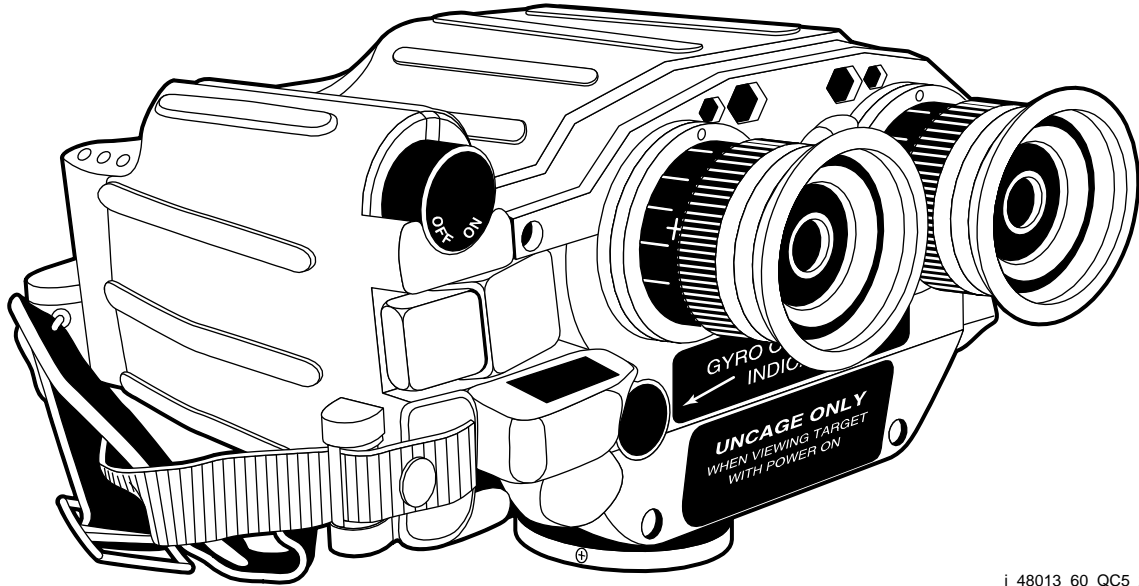
AIR SAMPLE BOTTLE



QCD302

MET: _____ / _____ : _____		LOCATION _____	
<u>Procedure</u>			
1 Record sampling data	3 Open valve 1 turn for 10 sec	5 Replace dustcap	
2 Unscrew dustcap	4 Close valve until it slips and locks	6 Restow	

GYRO STABILIZED BINOCULARS



j_48013_60_QC5_2

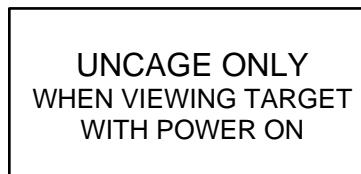
GYRO STABILIZED BINOCULARS DECAL LOCATIONS



CAGE/UNCAGE INSTRUCTIONS DECAL
(Top of Cage/Uncage lever)



CAGE INDICATOR DECAL
(Below Eyepieces)



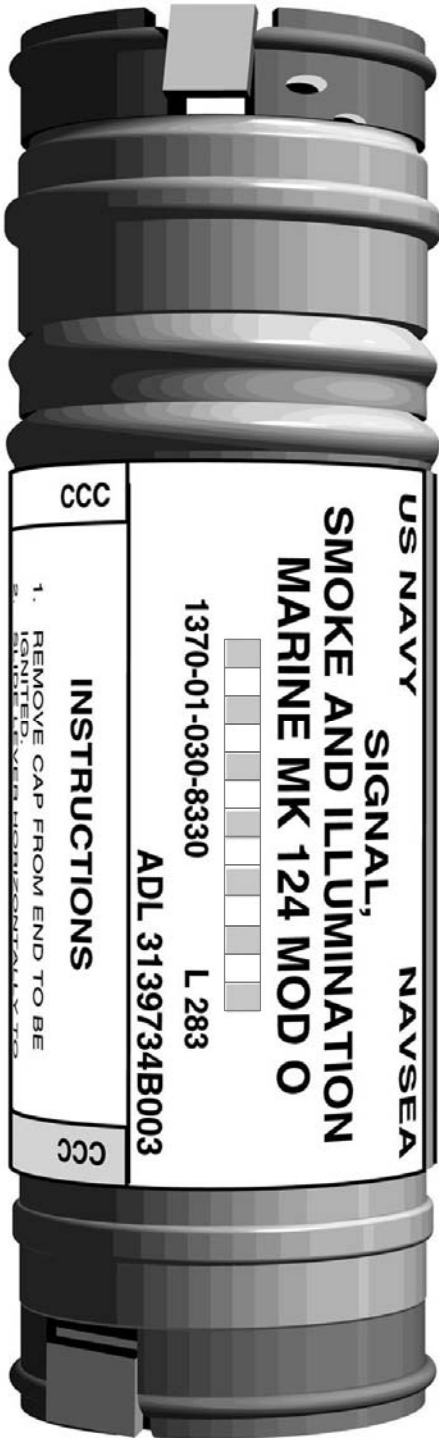
UNCAGE CAUTION DECAL
(Below Eyepieces)


SURVIVAL EQUIPMENT PROCEDURAL DECALS

MK 124 SMOKE AND ILLUMINATION SIGNAL OPERATION	4-3
MIRROR SIGNALING	4-4
PRC-112 SURVIVAL RADIO OPERATION AND PROCEDURES	4-5
SARSAT PERSONAL LOCATOR BEACON OPERATIONS	4-6
EMERGENCY DRINKING WATER.....	4-7
ILLUMINATION SIGNAL KIT.....	4-8
LIGHTSTICK	4-9
SEA DYE MARKER.....	4-10

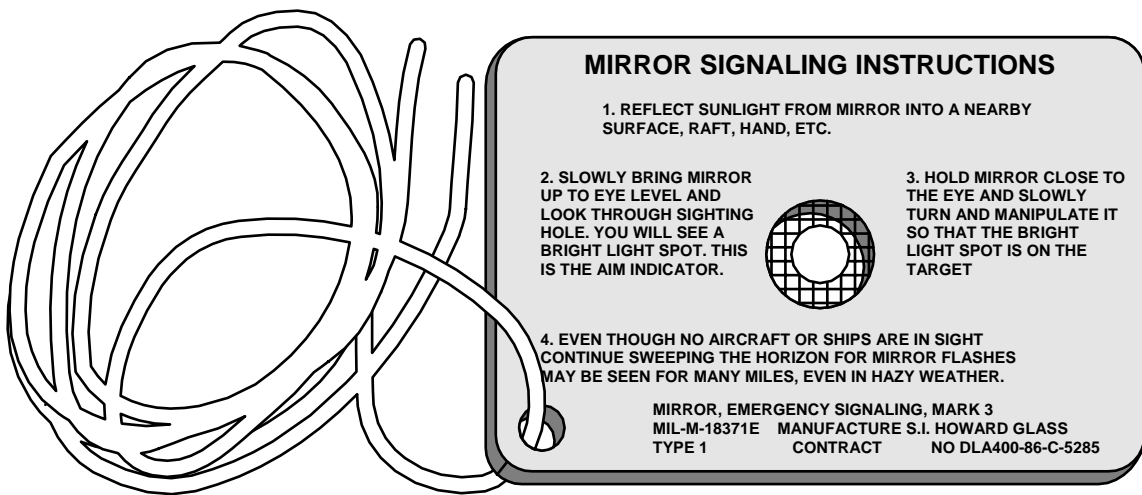
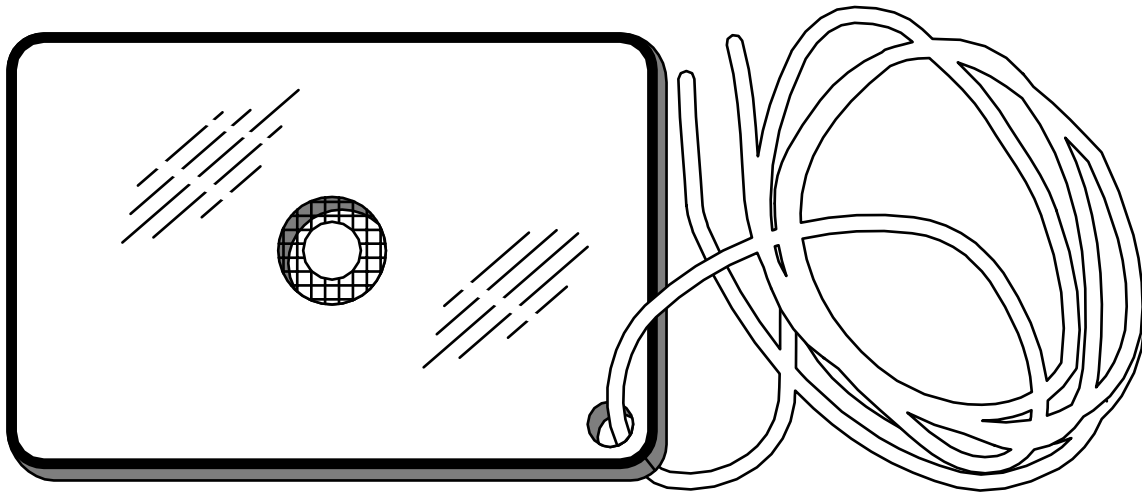
This Page Intentionally Blank

MK 124 SMOKE AND ILLUMINATION SIGNAL OPERATION



US NAVY		NAVSEA	
SIGNAL, SMOKE AND ILLUMINATION MARINE MK 124 MOD O			
			
1370-01-030-8330		L 283	
ADL 3139734B003			
CCC	USE	NIGHT	END - DAY
INSTRUCTIONS			
1. REMOVE CAP FROM END TO BE IGNITED. 2. SLIDE LEVER HORIZONTALLY TO FULLY EXTEND. 3. PULL LEVER DOWNWARD UNTIL FIRING PIN RELEASES. 4. IF SMOKE FLAMES, BRIEFLY IMMERSE IN WATER OR HOLD AGAINST SOLID OBJECT. 5. AFTER USING ONE END SAVE OTHER END FOR FUTURE USE.			
WARNING			
1. DURING AND AFTER IGNITION, FULLY EXTEND ARM OVERHEAD AT 45° ANGLE AND DO NOT LOOK AT SIGNAL. 2. PRIOR TO PULLING LEVER DOWNWARD, POSITION ALL FINGERS BELOW TOP OF SIGNAL. 3. AFTER IGNITION HOLD SIGNAL AT 45° ANGLE.			
CCC	USE	NIGHT	END - DAY
SMOKE			
CCC			

MIRROR SIGNALING



SIGNAL MIRROR DECAL LOCATION
(On back of mirror)

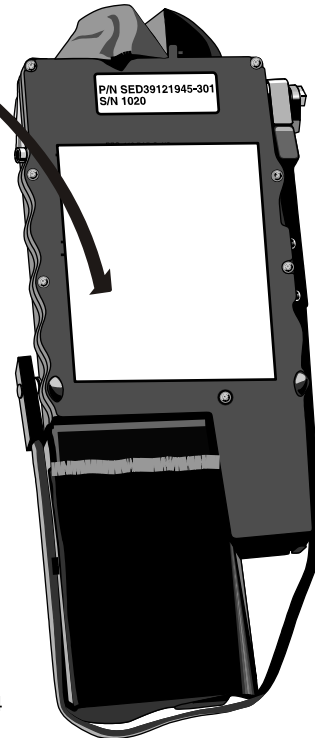
PRC-112 SURVIVAL RADIO OPERATION AND PROCEDURES

SARSAT, PRC-112 PROCEDURE	
1. SARSAT RIGID ANTENNA – EXTEND WIRE ANTENNA – DISCONNECT	
2. PRC-112 PWR – ON ANTENNA – DEPLOY	
3. √SARSAT BCN – BEACONING [PRC-112 – VOICE MODE – 243.0 (121.5)]	
IF SARSAT BCN NO JOY, REPEAT CONTINUOUSLY:	
4. PRC-112 – BCN MODE – 243.0 (121.5) BCN (~2 min)	
5. PRC-112 – VOICE MODE – 282.8 (~1 MIN)	
6. PRC-112 – VOICE MODE – 282.8	
7. PRC-112 PTT – XMIT “MAYDAY, MAYDAY, MAYDAY. (VEHICLE) CM (ALPHA CODE) IN (MED CONDITION).” (REPEAT 2X ON THE QTR HR)	
IF CONTACT W/ SAR FORCES LOST:	
8. PRC-112 – VOICE MODE – 282.8	
243 BCN	MILITARY EMER (UHF/BCN)
243	MILITARY EMER (UHF/VOICE) DME
B	B/U SAR OPS (236.0) (UHF/VOICE) DME
A	SEC SAR (259.7) (SHUTTLE A/G) (UHF/VOICE) DME
282.8	PRIM SAR (UHF/VOICE) DME
121.5	CIVILIAN EMER (VHF/VOICE)
121.5 BCN	CIVILIAN EMER (VHF/BCN)



S92-452122

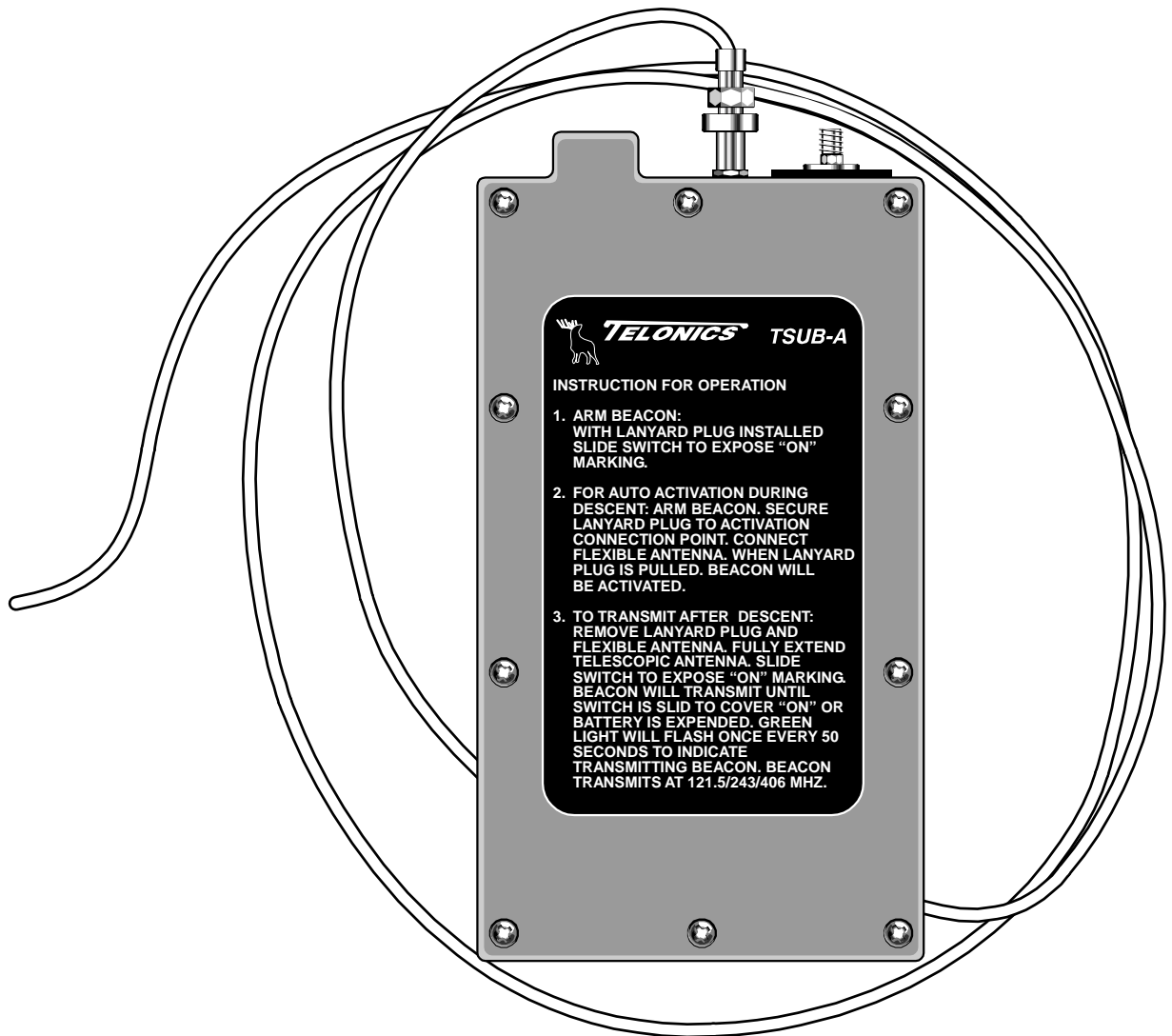
PRC SURVIVAL RADIO
(Front)



S92-452154

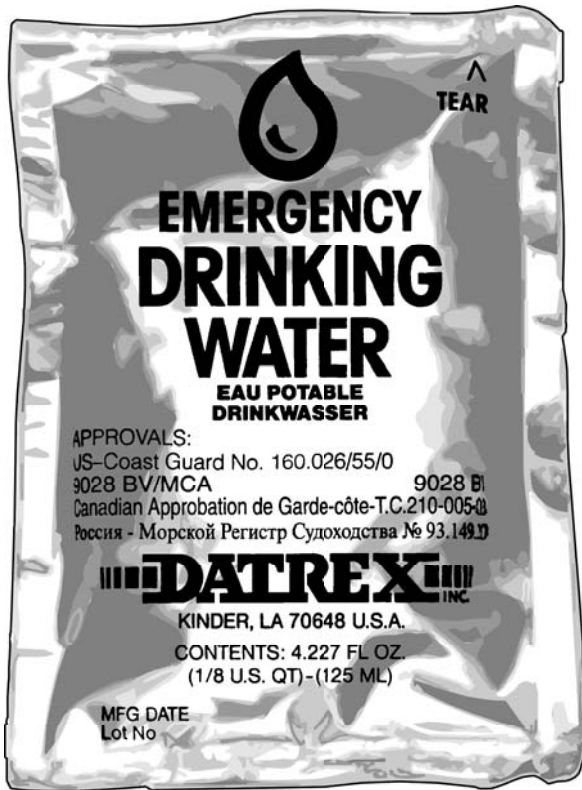
PRC-112 SURVIVAL RADIO
(BACK W/PROCEDURAL
DECAL)

SARSAT PERSONAL LOCATOR BEACON OPERATIONS



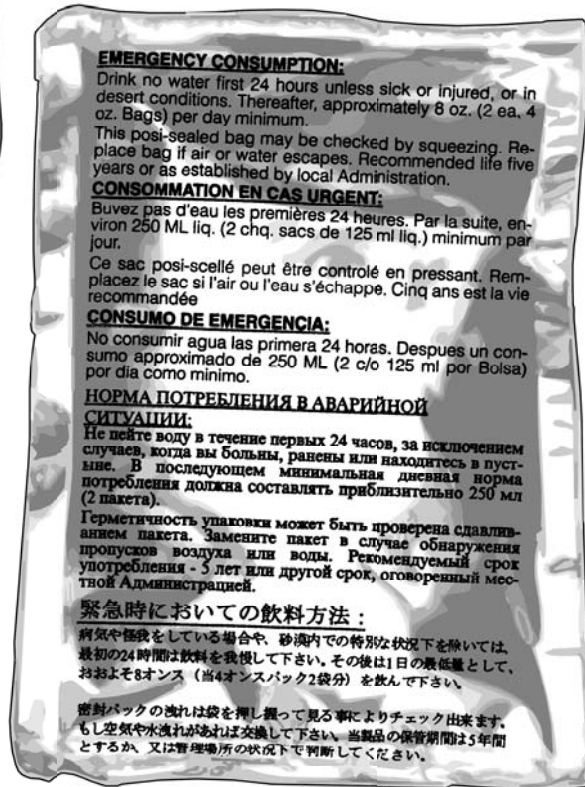
jsc48013_002r1.cvx

EMERGENCY DRINKING WATER



EMERGENCY WATER CONTAINER

(Front)



CONTAINER INSTRUCTIONS

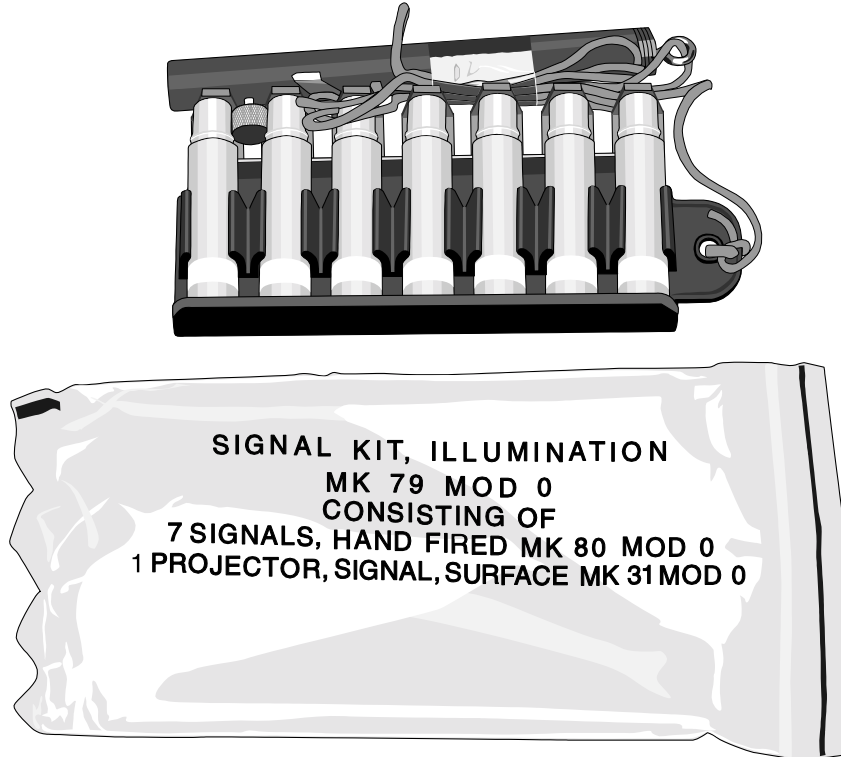
(Back)

EMERGENCY CONSUMPTION:

Drink no water first 24 hours unless sick or injured, or in desert conditions. Thereafter, approximately 8 oz. (2 ea. 4 oz. Bags) per day minimum. This posi-sealed bag may be checked by squeezing. Replace bag if air or water escapes. Recommended life five years or as established by local Administration.

jsc48013_006r3.cvx

ILLUMINATION SIGNAL KIT

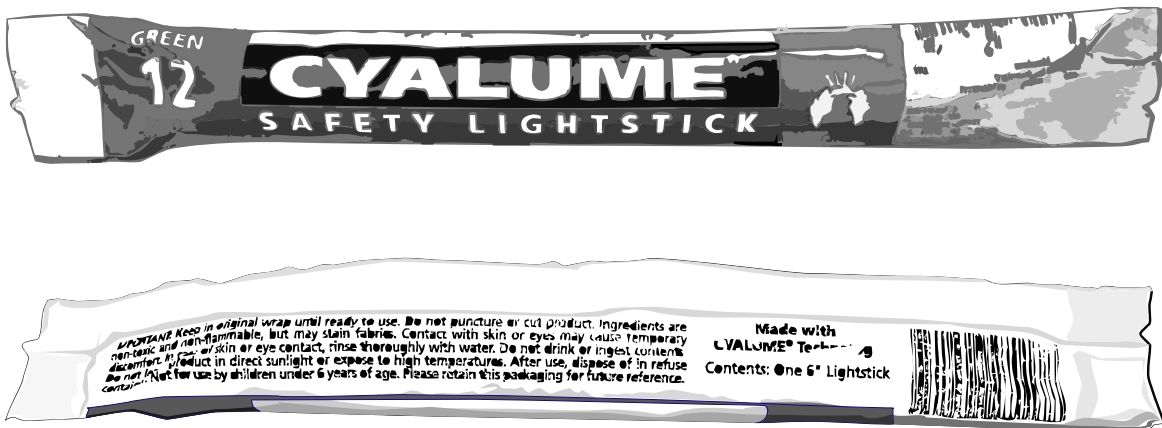


S88-37773

OPERATING INSTRUCTIONS

1. Pull trigger screw into angular (safety) slot.
2. Bend protective tab away from signal in bandoleer to allow attachment of projector.
3. Mate projector with signal and rotate to right until signal is seated.
4. Hold projector, arm fully extended, overhead.
5. Grip projector firmly. With snapping thumb action, pull trigger from safety slot and release into firing slot.
6. If signal misfires, at least one more attempt should be made to fire it.
7. Unscrew misfired or spent signal.

LIGHTSTICK



IMPORTANT: Keep in original wrap until ready to use. Do not puncture or cut product. Ingredients are non-toxic and non-flammable, but may stain fabrics. Contact with skin or eyes may cause temporary discomfort. In case of skin or eye contact, rinse thoroughly with water. Do not drink or ingest contents. Do not leave product in direct sunlight or expose to high temperatures. After use, dispose of in refuse container. Not for use by children under 6 years of age. Please retain this packaging for future reference.

jsc48013_007r2.cvx

SEA DYE MARKER



S88-37771

NOTE

The Life Raft contains two different types of Sea Dye Markers. This drawing depicts the Wicktype. The Wickless (not shown) is located on the inside of the raft