

Deorbit Prep

**Mission Operations Directorate
Operations Division**

**Generic, Rev P
April 16, 2007**

NOTE

For STS-117 and subsequent flights

National Aeronautics and
Space Administration

Lyndon B. Johnson Space Center
Houston, Texas



Verify this is the correct version for the pending operation (training, simulation or flight).
Electronic copies of FDF books are available. URL: <http://mod.jsc.nasa.gov/do3/FDF/index.html>

DEORBIT PREP	GENERIC, REV P (Apr 15, 2007)
--------------	-------------------------------

PCN-9 (Oct 14, 2008) Sheet 1 of 1

List of Implemented Change Requests (482s):

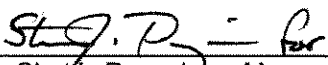
D/O-870	MULTI-1824B
D/O-871	MULTI-1826
D/O-872	

NOTE For STS-126 and subsequent flights

Incorporate the following:

1. Replace iii thru vi
2. Replace 1-7 and 1-8, 1-11 thru 1-14
Delete A1-17 thru B1-18 (4 pages)
Add 1-17 and 1-18
Replace 1-19 thru 1-32
After 1-32, add 1-33 and 1-34
3. Replace CC 8-3 and CC 8-4

Prepared by: 
Publication Manager

Approved by: 
Manager, Shuttle Procedures Management

Accepted by: 
EDF Manager

Encl: 30 pages

File this PCN immediately behind the front cover as a permanent record

DEORBIT PREP	GENERIC, REV P (Apr 15, 2007)
---------------------	--------------------------------------

PCN-8 (July 30, 2008) Sheet 1 of 1

List of Implemented Change Requests (482s):

D/O-861 (S)

D/O-868


S – Superseded

NOTE
For STS-125 and subsequent flights

Incorporate the following:

1. Replace iii and iv
2. Remove TEMP 1-11 and TEMP 1-12, TEMP 1-21 thru TEMP 1-30, TEMP 1-33 and TEMP 1-34
3. Replace (OV105) C3-17 and (OV105) C3-18

Prepared by: 
Publication Manager

Approved by: 
Manager, Shuttle Procedures Management

Accepted by: 
FDF Manager

Encl: 4 pages

File this PCN immediately behind the front cover as a permanent record

DEORBIT PREP

GENERIC, REV P (Apr 15, 2007)

PCN-7 (May 1, 2008) Sheet 1 of 1

List of Implemented Change Requests (482s):

D/O-866
D/O-867**NOTE**

For STS-124 and subsequent flights

Incorporate the following:

1. Replace iii thru vi
2. After 1-12, add TEMP 1-11 and TEMP 1-12,
After 1-22, add TEMP 1-21 thru TEMP 1-30 (10 pages),
Replace 1-31 and 1-32,
After 1-32, add TEMP 1-33 and TEMP 1-34
3. Replace CC 8-3 and CC 8-4

Prepared by:

Cindy Simon 5/1/08
Publication Manager

Approved by:

Tanya Vanhook
Manager Shuttle Procedures Management

Accepted by:

Kimberly Johnson
FDF Manager

Encl: 22 pages

File this PCN immediately behind the front cover as a permanent record

DEORBIT PREP

GENERIC, REV P (Apr 15, 2007)

PCN-6 (Apr 16, 2008) Sheet 1 of 1

List of Implemented Change Requests (482s):

D/O-0859 MULTI-1818
D/O-0863
D/O-0864
D/O-0865

NOTE

For STS-124 and subsequent flights

Incorporate the following:

1. Replace iii thru vi
2. Replace 1-5 and 1-6, 1-19 and 1-20, 1-31 and 1-32
3. Replace 2-9 and 2-10, 2-17 and 2-18
4. Replace 3-1 and 3-2, (OV103) A3-9 and (OV103) A3-10, (OV103) A3-19 and (OV103) A3-20, (OV103) A3-31 and (OV103) A3-32, (OV104) B3-9 and (OV104) B3-10, (OV104) B3-19 and (OV104) B3-20, (OV104) B3-31 and (OV104) B3-32, (OV105) C3-9 and (OV105) C3-10, (OV105) C3-19 and (OV105) C3-20, (OV105) C3-31 and (OV105) C3-32
5. Replace section 8 (6 pages)

Prepared by:

Cynthia Simon 4/14/08
Publication Manager

Approved by:

Tangela Jones
Manager, Shuttle Procedures Management

Accepted by:

M. Lee T. Holt
FDF Manager

Encl: 40 pages

File this PCN immediately behind the front cover as a permanent record

DEORBIT PREP

GENERIC, REV P (Apr 15, 2007)

PCN-5 (Jan 15, 2008) Sheet 1 of 1

List of Implemented Change Requests (482s):

D/O-0857 MULTI-1811
D/O-0858
D/O-0860

NOTE

For STS-123 and subsequent flights

Incorporate the following:

1. Replace iii and iv
2. Replace 1-7 and 1-8, 1-29 thru 1-32
3. Replace (OV105) C3-17 and (OV105) C3-18
4. Replace 5-7 and 5-8

Prepared by:

Cynthia Simon 10/08
Publication Manager

Approved by:

Timberly Johnson
Manager, Shuttle Procedures Management

Accepted by:

Michael R. [Signature]
FDF Manager

Encl: 12 pages

File this PCN immediately behind the front cover as a permanent record

DEORBIT PREP**GENERIC, REV P (Apr 15, 2007)****PCN-4 (Nov 2, 2007) Sheet 1 of 1**

List of Implemented Change Requests (482s):

MULTI-1809

Incorporate the following:

1. Replace iii and iv
2. Delete TEMP 1-11 thru TEMP 1-14
3. Replace 2-5 and 2-6
4. Replace (OV103) A3-25 and (OV103) A3-26, (OV104) B3-25 and (OV104) B3-26, (OV105) C3-25 and (OV105) C3-26

NOTE

For STS-122 and subsequent flights

Prepared by: _____
Publication Manager

Approved by: _____
Manager, Shuttle Procedures Management

Accepted by: _____
FDF Manager

Encl: 10 pages

File this PCN immediately behind the front cover as a permanent record

DEORBIT PREP

GENERIC, REV P (Apr 15, 2007)

PCN-3 (Sept 17, 2007) Sheet 1 of 1

List of Implemented Change Requests (482s):

D/O-0853 MULTI-1801

Incorporate the following:

1. Replace iii and iv
2. Replace 1-29 and 1-30
3. Replace 2-15 and 2-16
4. Replace (OV103) A3-29 and (OV103) A3-30, (OV105) C3-29 and (OV105) C3-30

NOTE

For STS-120 and subsequent flights

Prepared by: Andrea Blaylock
Publication Manager

Approved by: Timberly Johnson
Manager, Shuttle Procedures Management

Accepted by: Michael E. Shaw
FDF Manager

Encl: 10 pages

File this PCN immediately behind the front cover as a permanent record

DEORBIT PREP

GENERIC, REV P (Apr 15, 2007)

PCN-2 (Sep 7, 2007) Sheet 1 of 1

List of Implemented Change Requests (482s):

D/O-852

MULTI-1793C (R)

R – Remainder

NOTE

For STS-120 and subsequent flights

Incorporate the following:

1. Replace iii thru vi
2. Replace 1-31 and 1-32
3. Replace 2-17 and 2-18
4. Replace (OV105) C3-9 and (OV105) C3-10
5. Replace CC 8-3 thru 8-6 (4 pages)

Prepared by:


Publication Manager

Approved by:


Manager, Shuttle Procedures Management

Accepted by:


FDF Manager

Encl: 14 pages

File this PCN immediately behind the front cover as a permanent record

DEORBIT PREP

GENERIC, REV P (Apr 15, 2007)

PCN-1 (July 18, 2007) Sheet 1 of 1

List of Implemented Change Requests (482s):

D/O-841A (R) MULTI-1788
D/O-842 MULTI-1793B
D/O-846 MULTI-1795
D/O-847
D/O-848
D/O-849
D/O-851

R – Remainder

NOTE

For STS-118 and subsequent flights

Incorporate the following:

1. Replace iii thru vi
2. Replace 1-17 and 1-18 with A1-17 thru B1-18 (4 pages)
Replace 1-31 and 1-32
3. Replace 2-17 and 2-18
4. Replace (OV103) A3-9 and (OV103) A3-10, (OV103) A3-29 thru (OV103) A3-32,
(OV104) B3-9 and (OV104) B3-10, (OV104) B3-31 and (OV104) B3-32,
(OV105) C3-9 and (OV105) C3-10, (OV105) C3-19 and (OV105) C3-20,
(OV105) C3-29 thru (OV105) C3-32
5. Replace 5-7 and 5-8
6. Replace 6-3 and 6-4
7. Replace 7-3 and 7-4
8. Replace section 8 (6 pages)

Prepared by:


Publication Manager

Approved by:


Manager, Shuttle Procedures Management

Accepted by:


PDF Manager

Encl: 42 pages

File this PCN immediately behind the front cover as a permanent record

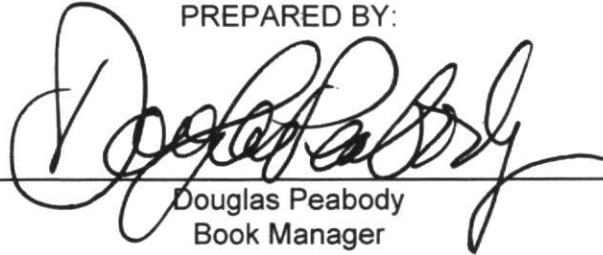
MISSION OPERATIONS DIRECTORATE

DEORBIT PREP

GENERIC, REVISION P

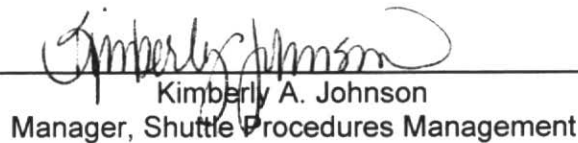
April 16, 2007

PREPARED BY:



Douglas Peabody
Book Manager

APPROVED BY:



Kimberly A. Johnson
Manager, Shuttle Procedures Management

ACCEPTED BY:



Michael T. Hurt
FDF Manager

This document is under the configuration control of the Crew Procedures Control Board (CPCB). All proposed changes must be submitted via FDF Workflow Crew Procedure Change Request (CR) to DO3/FDF Manager.

Additional distribution of this book, for official use only, may be requested in writing to DO3/PMO Administrator. The request must include justification and requester's name, organization, position, and phone number. Contractor requests are made through the NASA or DOD organization supported. Deletions, reduction in quantity, or change of address may be submitted to DO3/FDF Management Office, 281-244-1184.

Incorporates the following:	
482#:	D/O-835A D/O-837A D/O-840 D/O-841 D/O-843 D/O-844 D/O-845

AREAS OF TECHNICAL RESPONSIBILITY

Book Manager	DO3/D. Peabody	281-483-9582
Alternate Book Manager	DO3/A. Blaylock	281-244-1184

DEORBIT PREP

LIST OF EFFECTIVE PAGES

GENERIC	09/16/87	PCN-5	01/15/08
REV P	04/16/07	PCN-6	04/16/08
PCN-1	07/18/07	PCN-7	05/01/08
PCN-2	09/07/07	PCN-8	07/30/08
PCN-3	09/17/07	PCN-9	10/14/08
PCN-4	11/02/07		

Sign Off	* ALL/GEN P	1-31	ALL/GEN P,6
ii.....	* ALL/GEN P	1-32	ALL/GEN P,9
iii.....	* ALL/GEN P,9	1-33	ALL/GEN P,9
iv.....	* ALL/GEN P,9	1-34	ALL/GEN P,9
v	* ALL/GEN P,9	2-1	ALL/GEN P
vi.....	* ALL/GEN P	2-2	ALL/GEN P
vii.....	ALL/GEN P	2-3	ALL/GEN P
viii.....	ALL/GEN P	2-4	ALL/GEN P
1-1	ALL/GEN P	2-5	ALL/GEN P,4
1-2	ALL/GEN P	2-6	ALL/GEN P
1-3	ALL/GEN P	2-7	ALL/GEN P
1-4	ALL/GEN P	2-8	ALL/GEN P
1-5	ALL/GEN P,6	2-9	ALL/GEN P,6
1-6	ALL/GEN P	2-10	ALL/GEN P
1-7	ALL/GEN P	2-11	ALL/GEN P
1-8	ALL/GEN P,9	2-12	ALL/GEN P
1-9	ALL/GEN P	2-13	ALL/GEN P
1-10	ALL/GEN P	2-14	ALL/GEN P
1-11	ALL/GEN P,9	2-15	† ALL/GEN P,3
1-12	ALL/GEN P	2-16	† ALL/GEN P
1-13	ALL/GEN P,9	2-17	ALL/GEN P,6
1-14	ALL/GEN P	2-18	ALL/GEN P,6
1-15	ALL/GEN P	3-1	ALL/GEN P,6
1-16	ALL/GEN P	3-2	ALL/GEN P,6
A1-17.....	deleted	(OV103) A3-3	3/GEN P
A1-18.....	deleted	(OV103) A3-4	3/GEN P
B1-17.....	deleted	(OV103) A3-5	3/GEN P
B1-18.....	deleted	(OV103) A3-6	3/GEN P
1-17	ALL/GEN P,9	(OV103) A3-7	3/GEN P
1-18	ALL/GEN P,9	(OV103) A3-8	ALL/GEN P
1-19	ALL/GEN P,9	(OV103) A3-9	‡ 3/GEN P,6
1-20	ALL/GEN P	(OV103) A3-10	‡ 3/GEN P,1
1-21	ALL/GEN P,9	(OV103) A3-11	‡ 3/GEN P
1-22	ALL/GEN P	(OV103) A3-12	‡ 3/GEN P
1-23	ALL/GEN P,9	(OV103) A3-13	3/GEN P
1-24	ALL/GEN P	(OV103) A3-14	ALL/GEN P
1-25	ALL/GEN P,9	(OV103) A3-15	3/GEN P
1-26	ALL/GEN P	(OV103) A3-16	3/GEN P
1-27	ALL/GEN P,9	(OV103) A3-17	3/GEN P
1-28	ALL/GEN P	(OV103) A3-18	3/GEN P
1-29	† ALL/GEN P,9	(OV103) A3-19	3/GEN P
1-30	† ALL/GEN P,9	(OV103) A3-20	3/GEN P,6

* – Omit from flight book

† – MS pullout page. Add in MS2 copy only, in back of book

‡ – Add extra copies in back of all books

(OV103) A3-21	ALL/GEN P	(OV105) C3-15	5/GEN P
(OV103) A3-22	3/GEN P	(OV105) C3-16	5/GEN P
(OV103) A3-23	3/GEN P	(OV105) C3-17	5/GEN P
(OV103) A3-24	3/GEN P	(OV105) C3-18	5/GEN P,8
(OV103) A3-25	3/GEN P,4	(OV105) C3-19	5/GEN P,1
(OV103) A3-26	3/GEN P	(OV105) C3-20	5/GEN P,6
(OV103) A3-27	3/GEN P	(OV105) C3-21	ALL/GEN P
(OV103) A3-28	3/GEN P	(OV105) C3-22	5/GEN P
(OV103) A3-29	‡ 3/GEN P,3	(OV105) C3-23	5/GEN P
(OV103) A3-30	‡ 3/GEN P	(OV105) C3-24	5/GEN P
(OV103) A3-31	‡ 3/GEN P,1	(OV105) C3-25	5/GEN P,4
(OV103) A3-32	‡ 3/GEN P,6	(OV105) C3-26	5/GEN P
(OV104) B3-3	4/GEN P	(OV105) C3-27	5/GEN P
(OV104) B3-4	4/GEN P	(OV105) C3-28	5/GEN P
(OV104) B3-5	4/GEN P	(OV105) C3-29	‡ 5/GEN P,3
(OV104) B3-6	4/GEN P	(OV105) C3-30	‡ 5/GEN P
(OV104) B3-7	4/GEN P	(OV105) C3-31	‡ 5/GEN P,6
(OV104) B3-8	ALL/GEN P	(OV105) C3-32	‡ 5/GEN P,6
(OV104) B3-9	‡ 4/GEN P,6	4-1	ALL/GEN P
(OV104) B3-10	‡ 4/GEN P,1	4-2	ALL/GEN P
(OV104) B3-11	‡ 4/GEN P	5-1	ALL/GEN P
(OV104) B3-12	‡ 4/GEN P	5-2	ALL/GEN P
(OV104) B3-13	4/GEN P	5-3	ALL/GEN P
(OV104) B3-14	ALL/GEN P	5-4	ALL/GEN P
(OV104) B3-15	4/GEN P	5-5	ALL/GEN P
(OV104) B3-16	4/GEN P	5-6	ALL/GEN P
(OV104) B3-17	4/GEN P	5-7	ALL/GEN P,5
(OV104) B3-18	4/GEN P	5-8	ALL/GEN P
(OV104) B3-19	4/GEN P	5-9	ALL/GEN P
(OV104) B3-20	4/GEN P,6	5-10	ALL/GEN P
(OV104) B3-21	ALL/GEN P	6-1	ALL/GEN P
(OV104) B3-22	4/GEN P	6-2	ALL/GEN P
(OV104) B3-23	4/GEN P	6-3	ALL/GEN P,1
(OV104) B3-24	4/GEN P	6-4	ALL/GEN P
(OV104) B3-25	4/GEN P,4	7-1	ALL/GEN P
(OV104) B3-26	4/GEN P	7-2	ALL/GEN P
(OV104) B3-27	4/GEN P	7-3	ALL/GEN P,1
(OV104) B3-28	4/GEN P	7-4	ALL/GEN P
(OV104) B3-29	‡ 4/GEN P	8-1	* ALL/GEN P
(OV104) B3-30	‡ 4/GEN P	CC 8-2	* ALL/GEN P,6
(OV104) B3-31	‡ 4/GEN P,1	CC 8-3	* ALL/GEN P,9
(OV104) B3-32	‡ 4/GEN P,6	CC 8-4	* ALL/GEN P,6
(OV105) C3-3	5/GEN P	CC 8-5	* ALL/GEN P,6
(OV105) C3-4	5/GEN P	8-6	* ALL/GEN P
(OV105) C3-5	5/GEN P		
(OV105) C3-6	5/GEN P		
(OV105) C3-7	5/GEN P		
(OV105) C3-8	ALL/GEN P		
(OV105) C3-9	‡ 5/GEN P,6		
(OV105) C3-10	‡ 5/GEN P,1		
(OV105) C3-11	‡ 5/GEN P		
(OV105) C3-12	‡ 5/GEN P		
(OV105) C3-13	5/GEN P		
(OV105) C3-14	ALL/GEN P		

‡ – Add extra copies in back of all books

* – Omit from flight book

DEORBIT CUE CARDS

<u>Title</u>	<u>Ref. Page</u>	<u>Card No.</u>
MS MIDDECK ACTIVITIES (Front)	CC 8-2	D/O-1a/E/F
(Back).....	CC 8-3	D/O-1b/E/G
MS MIDDECK BACKOUT ACTIVITIES (Front).....	CC 8-4	D/O-2a/E/D
(Back).....	CC 8-5	D/O-2b/E/F

This Page Intentionally Blank

<u>CONTENTS</u>	<u>PAGE</u>
NOMINAL DEORBIT PREP PROCEDURES	1-1
DEORBIT PREP BACKOUT PROCEDURES	2-1
ENTRY SWITCH LIST/VERIFICATION.....	3-1
BFS DEORBIT PREP NOTES.....	4-1
CONTINGENCY DELTAS TO NOMINAL DEORBIT PREP	5-1
PLBD CONTINGENCY EVA TIMELINE	6-1
HARDWARE CONTINGENCY EVA TIMELINE.....	7-1
CUE CARD CONFIGURATION	8-1

This Page Intentionally Blank

NOMINAL DEORBIT PREP PROCEDURES

This Page Intentionally Blank

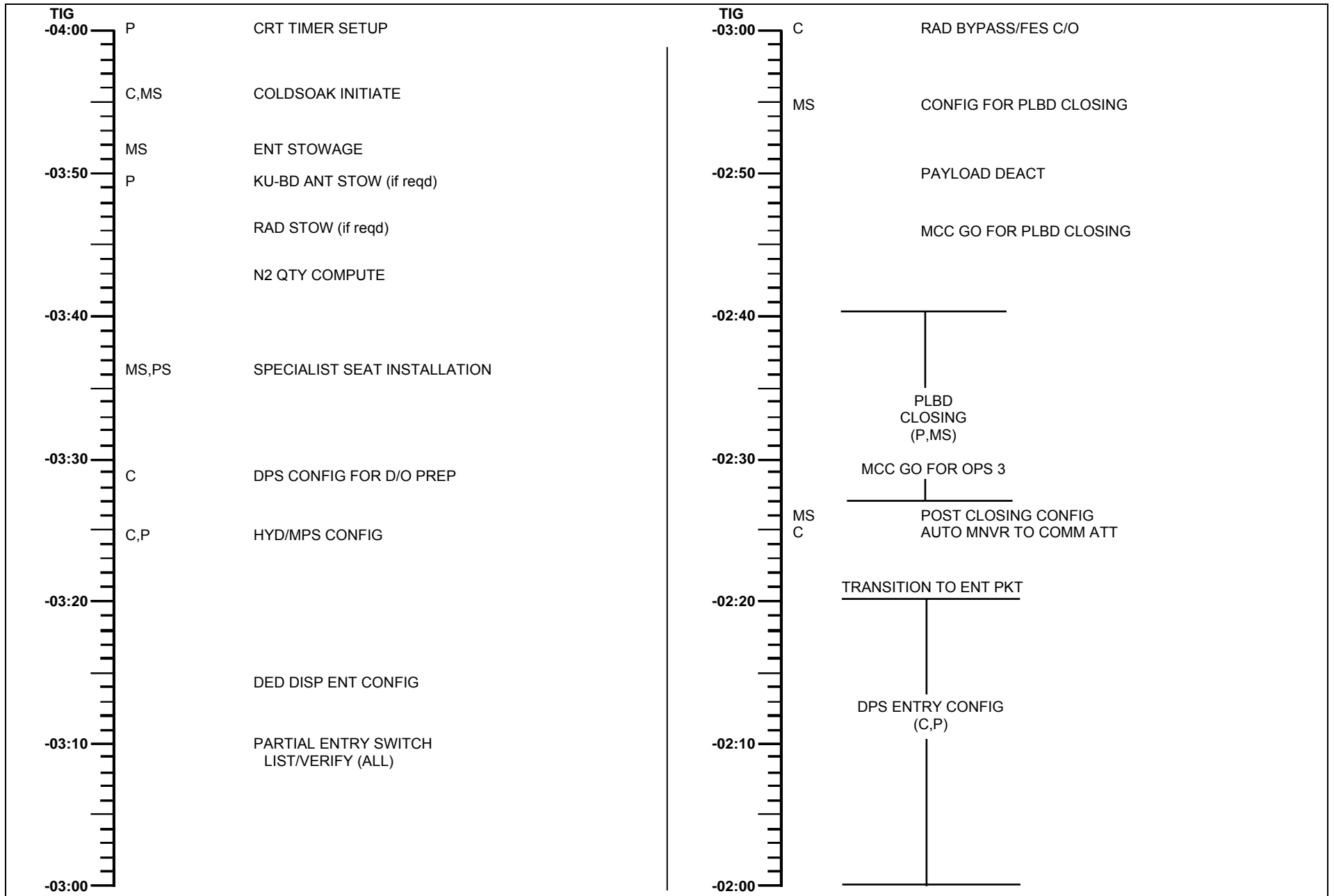
NOMINAL DEORBIT PREP OVERVIEW OF CONFIGURATION MANAGEMENT

DPS	OPS 1 ASC C/L					OPS 2 ON-ORBIT					OPS 2 DEORBIT PREP TIG -03:28					OPS 3 DEORBIT PREP TIG -02:20					SEAT INGRESS TIG -01:00					EI-5	V=15K								
GPC OPS	1	2	3	4	5	1	2	3	4	5	1	2	3	4	5	1	2	3	4	5	1	2	3	4	5										
POWER OUTPUT MODE	ON	ON	ON	ON	ON	ON	ON	ON	ON	ON	ON	ON	ON	ON	ON	ON	ON	ON	ON	ON	ON	ON	ON	ON	ON			ON	ON	ON	ON	ON			
GPC	G1	G1	G1	G1	BFS	G2	G2	G2F	SM	BFS	G2	G2	G2F	SM	BFS	G3	G3	G3	G3	BFS	G3	G3	G3	G3	BFS	G3	G3	G3	G3	BFS					
POWER OUTPUT MODE	ON	ON	ON	ON	ON	ON	ON	ON	ON	ON	ON	ON	ON	ON	ON	ON	ON	ON	ON	ON	ON	ON	ON	ON	ON	ON	ON	ON	ON	ON	ON	ON	ON	ON	ON
	N	N	N	N	B	N	N	N	T	N	N	N	N	T	N	N	N	N	N	B	N	N	N	N	B	N	N	N	N	B	N	N	N	N	B
	R	R	R	R	R	R	R	H	R	H	R	R	H	R	S	R	R	R	R	R	R	R	R	R	R	R	R	R	R	R	R	R	R	R	R
CONFIG GPC	1	2	3	4	0	2	0	0	4 (5)	0	2	0	0	4 (5)	0	3	0	0	4	0	3	0	0	4	0	3	0	0	4	0					
STR	1	1				1	0				1	0				1	0				1	0				1	0								
PL	1/2	1				0	4				0	4				1					1					1									
CRT	1	1				1	4				1	4				1	4				1	4				1	4								
L	1	1				0	4				0	4				0	4				0	4				0	4								
MM	1	1				1	4				1	4				1	4				1	4				1	4								
MDM	ALL ON					ALL ON					ALL ON					ALL ON					ALL ON														
D & C	DDU MDU IDP/CRT		L,R ALL FWD-ON 1,2,3,4			OFF CRT 1,2,4-ON 1,2,4-ON					L,R ALL FWD-ON 1,2,3,4-ON																								
E C L S	AV BAY FAN CABIN FAN IMU FAN WATER LP FREON LP RADIATOR		1-B,2-A,3-B A B 1-OFF,2-ON 1-B,2-B Stow			1-GPC,2-ON					1-OFF,2-ON																								
F C S / N E A V A O I D S	FCS ASA ACCEL RGA ADTA IMU RA TACAN# GPS* UHF MLS		AUTO ALL ON ALL ON ALL ON ALL ON ALL ON ALL ON ALL OFF			OFF OFF OFF OFF OFF OFF 2-ON, 1,3 OFF					ALL ON ALL ON ALL ON ALL ON ALL ON																								
R J D	RJDA RJDF VERNIER		ALL ON ALL ON OFF			ON															OFF														

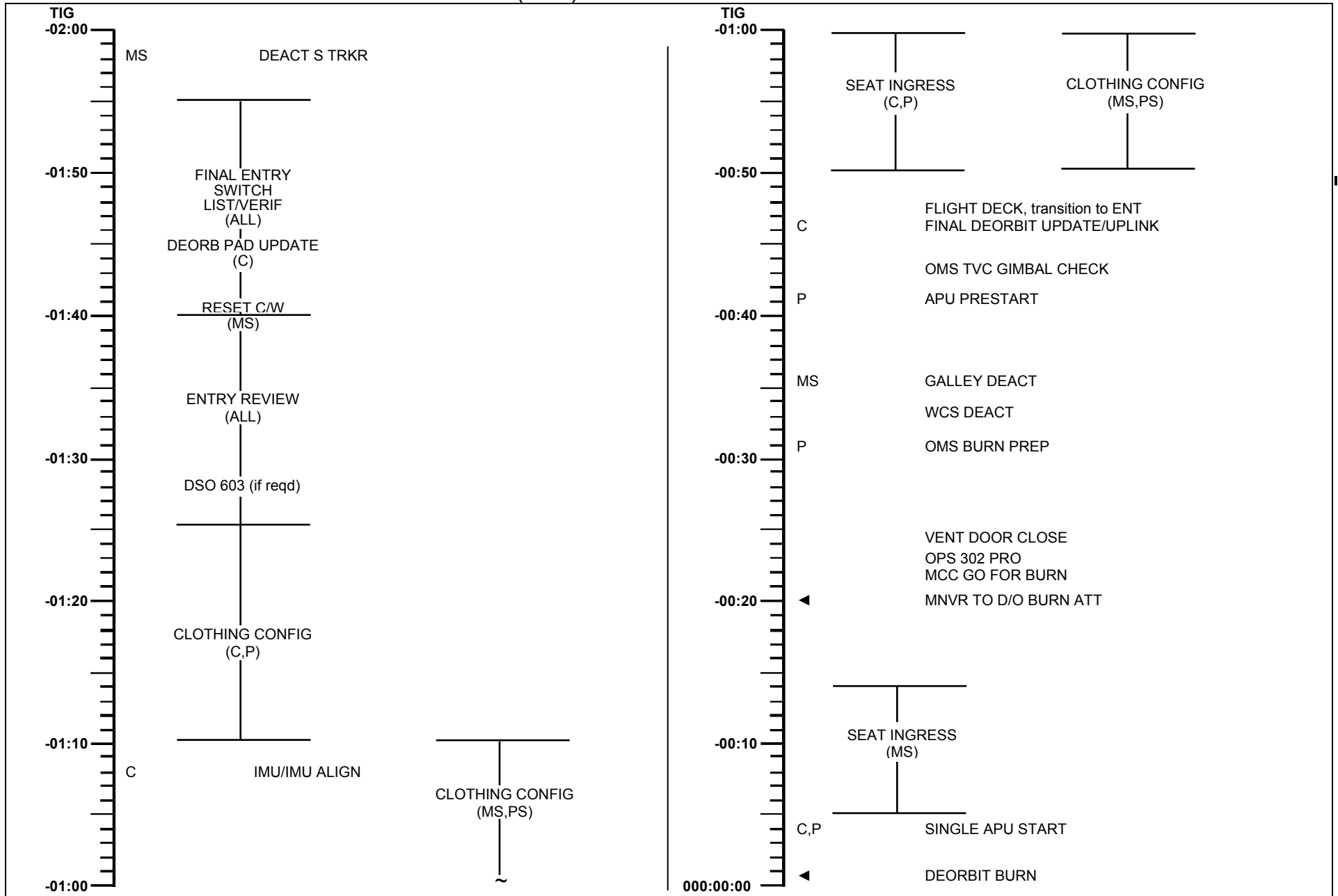
#TACAN not available on OV105

*Three-string GPS available only on OV105

NOMINAL DEORBIT PREP SUMMARY TIMELINE



NOMINAL DEORBIT PREP SUMMARY TIMELINE (Cont)



NOMINAL DEORBIT PREP

For cabin temperature management, use maximum of 25% on backlit panel lighting unless reqd for visibility

- * If TIME to TIG < 4 hr and > 2 hr 40 min: *
- * 1. ACCOMPLISH IMMEDIATELY: *
- * MNVR (TRK) BIASED -XSI (if not already in TAIL SUN) *
- * CRTX TGT ID +4 (blanks OM) *
- * BODY VECT +5 *
- * P +184 *
- * √OM (blank) *
- * Initiate TRK *
- * 2. Back out of PRIORITY PWRDN as reqd (ORB PKT, PRIOR PWRDN) *
- * 3. If previous FC PURGE was not accomplished within last 6 hr: *
- * Accomplish FC PURGE (ORB OPS, EPS) during D/O Prep prior to DPS ENTRY *
- * CONFIG *
- * 4. MS accomplish CABIN CONFIG/STOW (FLIGHT PLAN) during D/O Prep timeframe *
- * 5. Begin Deorbit Prep timeline immediately and perform procedure as rapidly as possible *

VERIFY THAT FOLLOWING ACTIVITIES HAVE BEEN ACCOMPLISHED:

FCS CHECKOUT (ORB OPS, GNC)

RCS HOT FIRE TEST (ORB OPS, RCS)

CABIN CONFIG/STOW (FLIGHT PLAN)

IMU ALIGN – S TRK (ORB OPS, GNC)

MNVR (TRK) BIASED – XSI (FLIGHT PLAN, DETAILED TIMELINE)

FC PURGE (ORB OPS, EPS)

Back out of PRIORITY PWRDN as reqd (ORB PKT, PRIOR PWRDN)

		1: GNC UNIV PTG	2: SM SYS SUMM 1	
<p>TIG -04:00 A5(B1) AUTO VERN RT 0.2 DB 1.0</p>	<p>P</p>	<u>CRT TIMER SETUP</u> 1		<p><u>CRT TIMER SETUP</u> 1</p> <p style="text-align: center;">1: GNC 2 TIME</p> <p><u>SET CRT TIMER TO COUNT DOWN TO TIG</u> (perform for GNC & SM)</p> <p>ENTRY DAY (HR:MIN:SEC – MET)</p> <p>ITEM 17 + <input type="text"/> <input type="text"/> + <input type="text"/> <input type="text"/> + <input type="text"/> <input type="text"/></p> <p>24 HR LATE DELAYED DEORBIT</p> <p>ITEM 17 + <input type="text"/> <input type="text"/> + <input type="text"/> <input type="text"/> + <input type="text"/> <input type="text"/></p> <p style="text-align: center;">1: GNC UNIV PTG</p>
<p>-03:55</p>	<p>C,MS</p>	<u>COLDSOAK INITIATE</u> 2		
<p>-03:50</p>	<p>MS</p>	<u>ENT STOWAGE</u> 3 , 1-31 <u>ENT AIRLOCK CONFIG</u> 3A , 1-32		<p><u>COLDSOAK INITIATE</u> 2</p> <p>C L1 <u>FES CONFIG</u> FLASH EVAP CNTLR PRI A,B, SEC (three) – OFF RAD CNTLR OUT TEMP – HI When FREON EVAP OUT TEMP > 50 degF, FLASH EVAP CNTLR PRI B(A) – ON HI LOAD DUCT HTR – B</p> <p><u>H2O LOOP C/O AND CONFIG</u> SM 88 APU/ENVIRON THERM</p> <p style="text-align: center;"><u>NOTE</u> INCR decreases ICH FLOW</p> <p>L1 H2O LOOP 2 BYP MODE – MAN MAN – INCR or DECR (adjust until ICH FLOW ~950 ± 50)</p> <p>If first Deorbit Prep:</p> <p>L1 H2O PUMP LOOP 1 – ON √LOOP 1 BYP MODE – MAN MAN – DECR (hold 5 sec)</p> <p>CRT √H2O LOOP 1 ICH FLOW – increasing</p> <p>L1 H2O LOOP 1 BYP MAN – INCR (Adjust until ICH FLOW ~950 ± 50) H2O PUMP LOOP 1 (two) – OFF,B</p>
<p>-03:45</p>	<p>P</p>	KU-BD ANT STOW, if deployed (ORB OPS, <u>COMM/INST</u>)		
<p>-03:40</p>	<p>S66</p>	RAD STOW, if reqd (ORB OPS, <u>ECLS</u>)		
<p>-03:35</p>	<p>S68, 168</p>	<u>N2 QTY COMPUTE</u> Add N2 QTY 1 + 2 Then annotate CABIN PRESS LEAK NOMOGRAPH (ENT PKT, <u>ECLS</u>) <u>DETERMINE H2 DEPLETED TANKS</u> Note all H2 tanks with Qty < 3% Then annotate DEORBIT BURN FLIGHT RULES, ELEC section (step 8) for depleted tanks (ENT, <u>BURN CARDS</u>)		
<p>-03:30</p>	<p>MS, PS</p>	<u>SPECIALIST SEAT INSTALLATION</u>		

HYD/MPS CONFIG 5

W/B STEAM VENT HTR ACT

R2 √BLR CNTLR/HTR (three) – B
 PWR (three) – ON

NOTE

HTR reqd to be on 2 hr prior to APU act

HYD CIRC PUMP TERM

R2 HYD CIRC PUMP (three) – OFF

SSME HYD REPRESS PREP

C3 √FCS CH (four) – AUTO
 O17 ATVC (four) – ON

DED DISP ENT CONFIG 6

O14, RGA (four) – ON
 O15, cb MNA,B,C ADTA (four) – cl
 O16 MNA,B ACCEL 1, 2 (two) – cl
 DDU L (two) – cl
 √MNA, C DDU AFT (two) – op
 MNB, C DDU R (two) – cl
 ASA (four) – ON
 MDU ACCEL 4,3 (two) – ON
 AFD1 – OFF

O7 If OV105:
 GPS 1,3 PRE AMPL (four) – ON
 GPS 1,3 PWR (two) – ON
 Wait at least 30 sec
 GNC I/O RESET
 1: GNC 55 GPS STATUS
 √NAV – ITEM 17,19 EXEC (*)
 INIT – ITEM 14,16 EXEC (*)
 √MODE – INIT
 NAV – ITEM 17,19 EXEC (*)
 √MODE – INS
 If OV103,4:
 TACAN MODE (three) – GPC
 ANT SEL (three) – AUTO

O8 RADAR ALTM (two) – ON
 MLS (three) – ON
 CH tw (three) – See DEL PAD (ENT), PRPLT/DEL PADS

F3 TRIM PNL (two) – ON

TIG
-03:30
A5(B1)
AUTO
VERN
RT 0.2
DB 1.0

-03:25 C,P **1: GNC 0 GPC MEMORY** **2: BFS, GNC 0 BFS MEMORY**

If single G2: **DPS CONFIG FOR D/O PREP** **4a**

ENSURE BFS GPC CAN COMMAND AN IDP **4b**

HYD/MPS CONFIG **5**, 1-8

-03:20

-03:15 **DED DISP ENT CONFIG** **6**, 1-8

NOTE
√MCC for unaccounted-for sw or
cb config discrepancies

-03:10 C
P
MS **PARTIAL ENT SWITCH LIST/VERIF** (FWD), 3-4 thru 3-6
PARTIAL ENT SWITCH LIST/VERIF (FWD), 3-7 and 3-8
PARTIAL ENT SWITCH LIST/VERIF (AFT), 3-9
PARTIAL ENT SWITCH LIST/VERIF (MID), 3-10 thru 3-12

-03:05

-03:00

DPS CONFIG FOR D/O PREP **4a**

NOTE
No keyboard entries or sw throws 10 sec:
Before and after moding PASS GPCs to RUN
Before OPS transition or set expansion/contraction
requests until new OPS base page is displayed

ACTIVATE GPC 2 (if in HALT)
Remove and stow GPC Mode Switch Guard

P/I Locker

O6 √GPC MODE 2 – HALT (tb-bp)
√OUTPUT 2 – NORM
√PWR 2 – ON
MODE 2 – STBY (tb-RUN),
RUN

CONFIG GPC	2	12000
STR 1	1	1
2	2	2
3	1	1
4	2	2
PL 1/2	0	0
CRT 1	1	1
2	2	2
3	0	0
4	2	2
L 1	0	0
2	0	0
MM 1	1	1
2	2	2

TRANSITION GPCs 1 & 2 TO OPS 2
(if GPC 2 just activated)

1: GNC 0 GPC MEMORY
CONFIG – ITEM 1 +2 EXEC
Modify MC 2 per table →
GNC, OPS 201 PRO

1: GNC 22 S TRK/COAS CNTL
S TRK -Y,-Z: STAR TRK – ITEM 3,4 EXEC

1: GNC 21 IMU ALIGN
RESUME

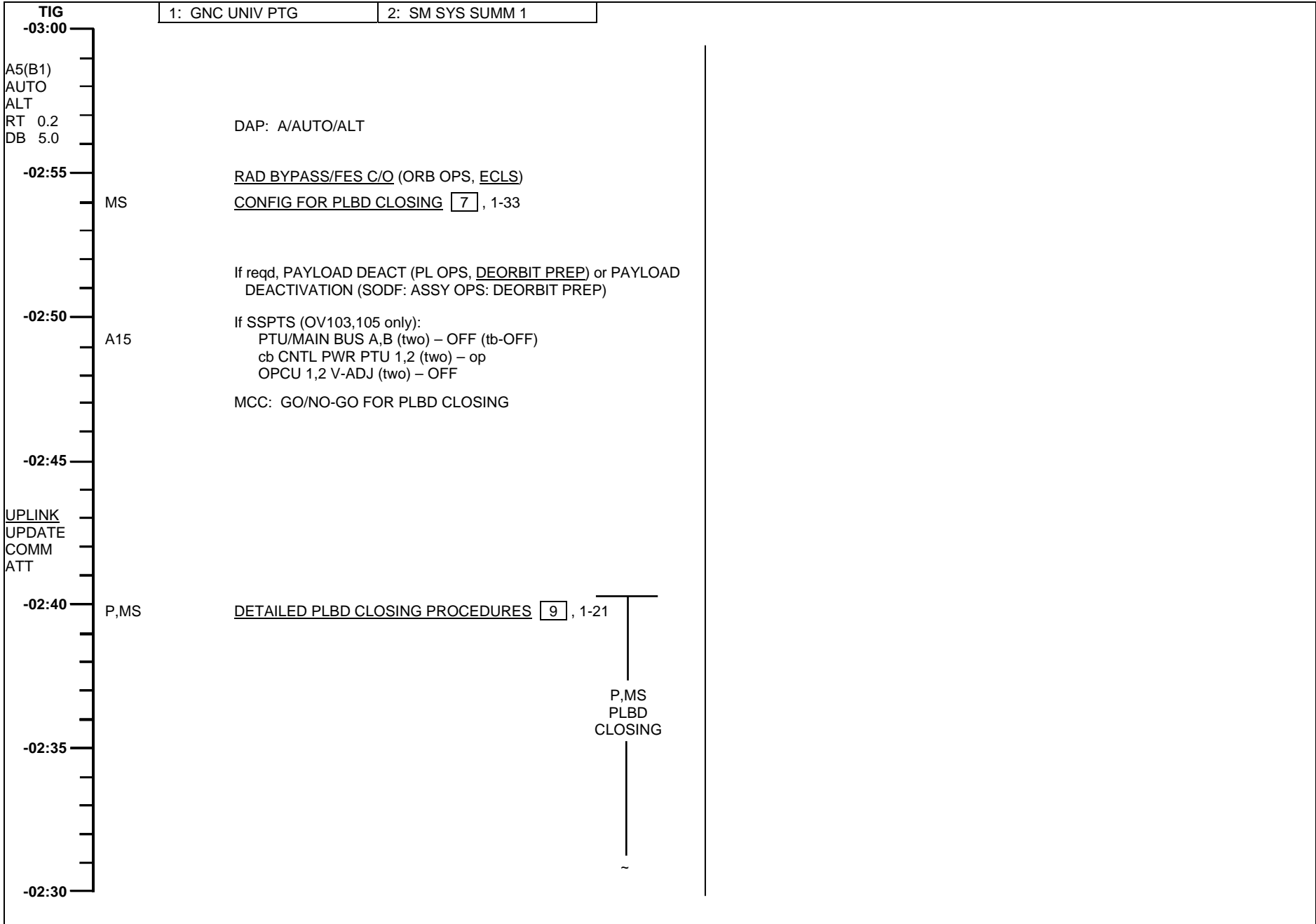
ENSURE BFS GPC CAN COMMAND AN IDP **4b**

O6 √GPC PWR 5 – ON
MODE 5 – STBY (tb-RUN)

C3 BFC CRT DISP – ON
SEL – 2+3

C3 **2: BFS, GNC BFS MEMORY or SM THERMAL**
BFC CRT DISP – OFF
SEL – 3+1

Block deleted



DPS ENTRY CONFIG 12

* If IMU or RHC dilemma, do not proceed with OPS 3 transition *

√Att mnvr complete
 √RGA,AA,ASA,IMU (all) – ON

NOTE

No keyboard entries or sw throws 10 sec:
 Before and after moding PASS GPCs to RUN
 Before OPS transition or set expansion/contraction requests until new OPS base page is displayed

- C2
CRTLX
F6,F7,F8
- 1. MEDS CONFIG
 IDP/CRT 3 PWR – ON
 GPC/CRT 2/3 EXEC
 √All forward MDUs ON and selected to primary port
- O6
- 2. VERIFY GPC CONFIG
 √GPC MODE 3 – HALT (tb-bp)
 √PWR 3 – ON
 √OUTPUT 1,2 – NORM (tb-gray)
 √3,5 – NORM (tb-bp)
 √4 – TERM (tb-bp)
 √MODE 1,2,4 – RUN (tb-RUN)
 3 – STBY (tb-RUN)
 √5 – STBY (tb-RUN)
- 3. SM CHECKPOINT/UL CNTL ENA
 1: SM 60 SM TABLE MAINT
 2: SM 1 DPS UTILITY
- CRT2
CRTL1
- MMU ASSIGN 2 SM – ITEM 4 EXEC
 CKPT INITIATE – ITEM 18 EXEC
 √Update of CKPT TIME and STATUS GOOD indicated
- CRT2
CRTL1
- MMU ASSIGN 1 SM – ITEM 3 EXEC
 CKPT INITIATE – ITEM 18 EXEC
 √Update of CKPT TIME and STATUS GOOD indicated
- CRT2
- CKPT RETRV ENA – ITEM 12 EXEC (*)
 UL CNTL ENA – ITEM 36 EXEC
- 4. LOAD ENTRY TFL/RECONFIG UPLK
 Perform LOAD PDI DECOM FORMAT and LOAD PCMMU FORMAT for entry config (ORB OPS FS, COMM/INST)
- C2
- Set event timer to count down to TIG
- 5. TRANSITION GPC 1&2 TO GNC OPS 3
 1: GNC 0 GPC MEMORY
 CONFIG – ITEM 1 +3 EXEC

Modify MC 3 per table →

CONFIG GPC	3	12000
STR	1	1
	2	2
	3	1
	4	2
PL	1/2	0
CRT	1	1
	2	2
	3	2
	4	0
L	1	0
	2	0
MM	1	1
	2	2

C3

6. TRANSITION BFS GPC TO GNC OPS 3
 BFC CRT DISP – ON
 √SEL = 3+1
 3: BFS, GNC BFS MEMORY

O6
CRTL3

GPC OUTPUT 5 – B/U (tb-bp)
 √TFL ENA – ITEM 29 (*)
 BFS, GNC OPS 301 PRO
 3: BFS, GNC DEORB MNVR COAST

7. TRANSITION GPC 1,2,3,4 TO GNC OPS 3
 SM, OPS 000 PRO
 X: SM GPC MEMORY

O6

GPC OUTPUT 4 – NORM (tb-gray)
 MODE 3,5 (two) – RUN (tb-RUN)
 If no comm, sel best antenna
 1: GNC 0 GPC MEMORY

Modify MC 3 per table →

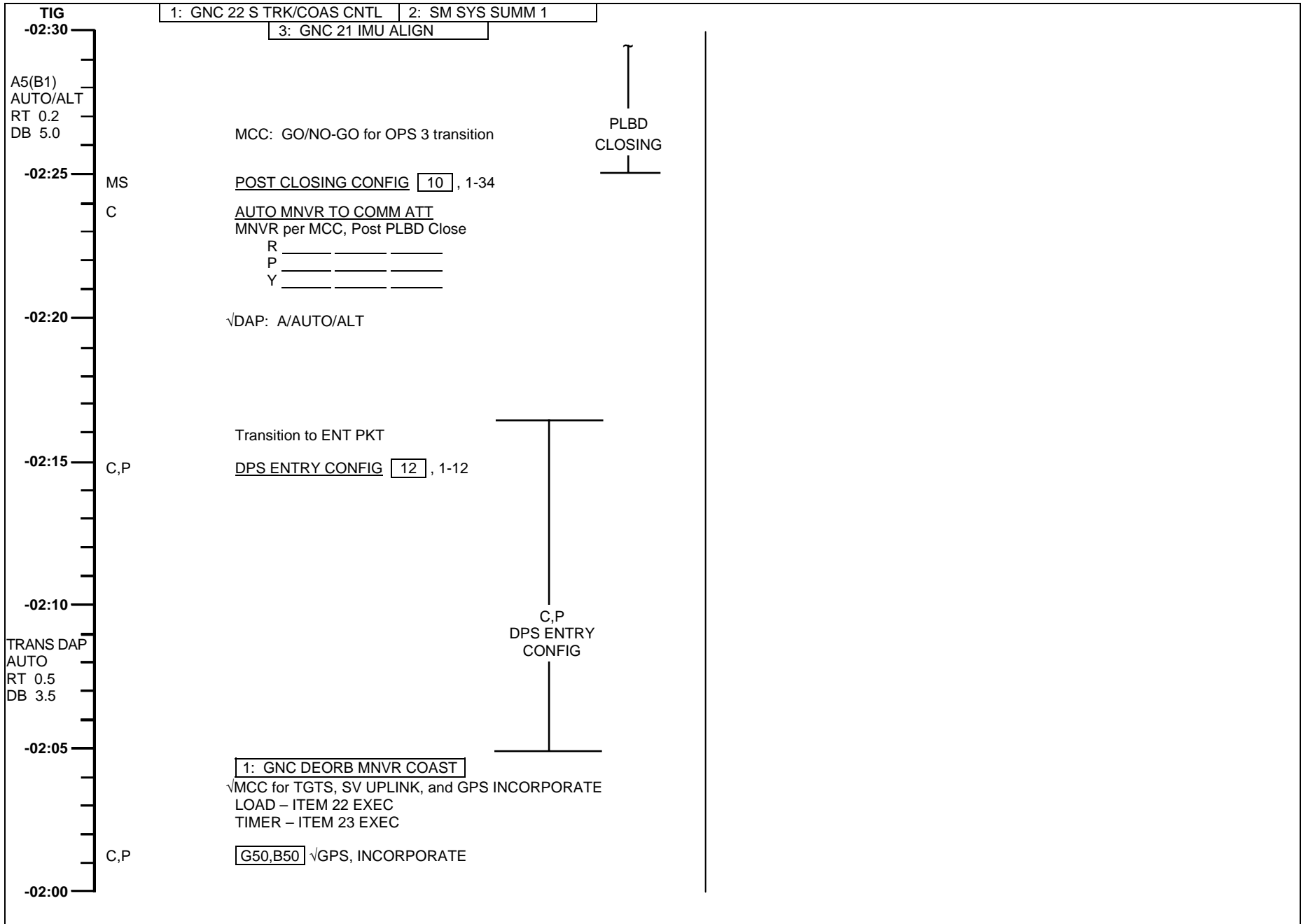
CONFIG GPC	3	12340
STR	1	1
	2	2
	3	3
	4	4
PL	1/2	1
CRT	1	1
	2	2
	3	3
	4	0
L	1	0
	2	0
MM	1	1
	2	2

CRT3

BFS, GNC OPS 000 PRO
 BFS, GNC OPS 301 PRO
 BFC CRT DISP – OFF
 (GPC 3 commanding IDP 3)
 BFC CRT DISP – ON
 * If any IMU failed or not aligned: *
 * 3: BFS, GNC 51 OVERRIDE *
 * Aff IMU – desel *

C3

8. MNVR BACK TO COMM ATT



DEORB PAD UPDATE 17

MCC update:

OMS PRPLT PAD, DEL PAD (ENT, PRPLT/DEL PADS) and DEORBIT
MNVR PAD (ENT, MNVR PADS)

* If MCC cannot provide DEORB TGT, use Deorbit Manager on PGSC *

LANDING SITE UPDATE

1: GNC 50 HORIZ SIT

SEL SITE see DEL PAD (ENT, PRPLT/DEL PADS)

CHECK TGTs

1: GNC DEORB MNVR COAST

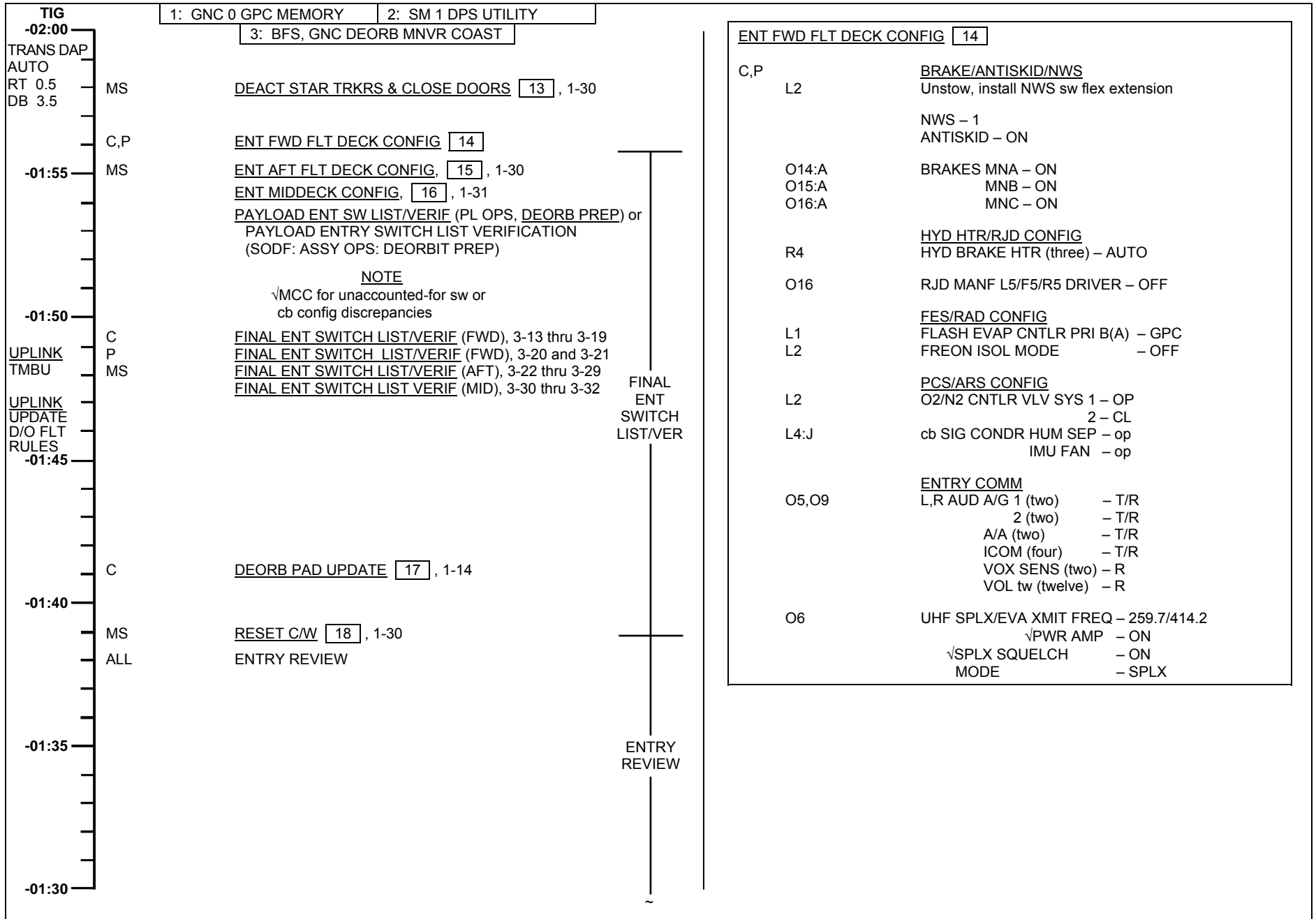
√PASS and BFS TGT per DEORBIT MNVR PAD (ENT, MNVR PADS)

√PASS and BFS solution per DEORBIT MNVR PAD (ENT, MNVR PADS)

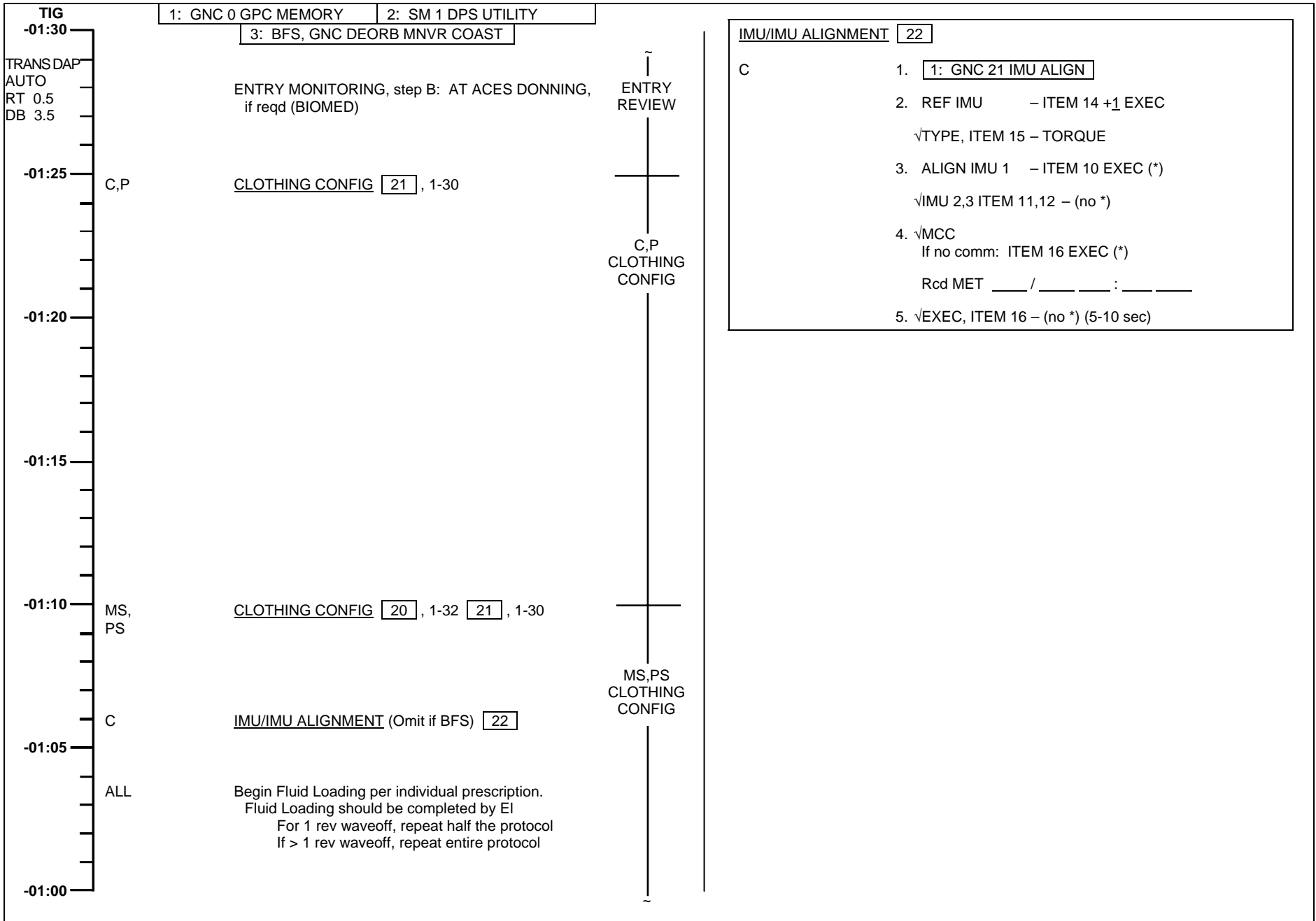
BURN ATT, HA HP

Δ VTOT

TGO



This Page Intentionally Blank



This Page Intentionally Blank

TIG		1: GNC DEORB MNVR COAST	2: GNC DEORB MNVR COAST	
-01:00			3: BFS, GNC DEORB MNVR COAST	
TRANS DAP	C,P	<u>SEAT INGRESS</u>		MS,PS CLOTHING CONFIG
AUTO				
RT 0.5	C,P	<u>HUD SETUP</u> [23]		
DB 3.5	C,P	Adjust seat Exercise brake pedals		
-00:55	C	C6	LEH O2 vlv (four) – OP	
	C,P	<u>ACES PRESS INTEGRITY CHECK</u> Dual Suit Controller, Dial-To-Test Knob – full cw		
	MS	<u>AFD AUD SPKR CONFIG</u> [28], 1-29		
	MS	<u>WIRELESS STOW</u> , if flown [24]		
-00:50				
	C,P	Stow all unnecessary FDF articles FLIGHT DECK, go to ENT, <u>DEORBIT BURN</u>		
-00:45				
-00:40				
		<u>NOTE</u> Perform prior to seat ingress. Inform MCC when blocks 26, 27, 29 complete		
-00:35	MS	<u>GALLEY DEACT</u> [26], 1-31		
		<u>NOTE</u> WCS must be deactivated prior to EI		
	MS	<u>WCS DEACT MS</u> [27], 1-32		
	MS	<u>MD AUD SPKR CONFIG</u> [29], 1-32		
-00:30				

HUD SETUP [23]
Remove, stow HUD Covers (two)
Ensure Cloth Cover does not obscure light sensor

WIRELESS STOW, if flown [24]
Disconnect, stow Wireless Comm (if reqd)
√Aft deck lts as reqd

This Page Intentionally Blank

AUTO PLBD CLOSING

DETAILED PLBD CLOSING PROCEDURES 9

CAUTION

Verify no obstructions before closing and latching PLBD (Ku ANT,RMS,RAD,etc)

Use MANUAL mode for subsequent BFS PLBD ops if BFS AUTO sequence has been interrupted by reversing latch/door drive direction or if MANUAL mode has already been used during mission

- R13L
- * If no motion determined visually or 'OP/CL' *
 - * not blank within 10 sec after cmd: *
 - * PL BAY DR – STOP *
 - * Perform MAL, MECH, 9.1a *
 - * If Latch not 'CL' in single-motor time: *
 - * PL BAY DR – STOP *
 - * Perform MAL, MECH, 9.1e *
 - * If door motion stops and not 'RDY' or 'CL': *
 - * PL BAY DR – STOP *
 - * Perform MAL, MECH, 9.1g *

- * If SM GPC fails during this operation: *
- * PL BAY DR SYS (two) – DSBL *
- * DR – STOP *
- * Perform PASS SM GPC FAIL (ORB PKT, DPS) *

NOTE

Note any single-motor operations (continue ops)
(single-motor times = 2x listed dual-motor times)

RECORD MUXED PORT RAD RETRACT HOSE VIEWS (A and C)

- L10 (VTR)
1. √Muxed scene displayed on VTR LCD
REC pb – push, hold
PLAY pb – push
√Red dot displayed on LCD

CONFIGURE FOR AUTO MODE

- CRT4
2. SM, OPS 202 PRO or BFS, SM 63 PL BAY DOORS

4: SM PL BAY DOORS

- R13L
- CRT4
- √PL BAY DR – STOP
 - √PBD SW – STOP
 - √MAN SEL (ten) – (no *)
 - √PBD SW BYPASS – (no*)
3. AC POWER ON – ITEM 1 EXEC (*)
 4. AUTO MODE SEL – ITEM 3 EXEC (*)
- R13L
- CRT4
5. PL BAY DR SYS (two) – ENA
 - √OP/CL STATUS (ten) – OP

CLOSE PLBDs USING AUTO MODE

- R13L
6. PL BAY DR – CL
- CRT4
- * If PORT DOOR not 'CL' within 6 sec of 'RDY': *
 - * PL BAY DR – STOP *
 - * Go to PORT BKHD LATCH TROUBLESHOOTING *
 - * (AUTO MODE) 9A, 1-23 *

- CRT4
- √PORT DOOR – blank,RDY,CL (~63 sec)

RECORD MUXED STBD RAD RETRACT HOSE VIEWS (D and B)

- A7
7. VID IN MUX 2 pb – push
- L10 (VTR)
- √Muxed scene displayed on VTR LCD
- CRT4
- √PORT FWD, AFT LATCHES – blank, CL (~30 sec)
 - √STBD DOOR – blank

8. When Stbd Door as close as possible to Port Door before contact, perform PLBD fit check:

- R13L
- PL BAY DR – STOP
 - Determine C/L Latch clearance on C/L LATCH EXTENDED GUIDE ROLLER TRAJECTORY NO-GO DIAGRAM, 1-22

- * If NO-GO for PLBD CLOSE: *
- * If no waveoff capability: *
- * Perform MAL, MECH, SSR-3 (SIMULTANEOUS *
- * PLBD CL) *
- * If waveoff OK: *
- * √MCC *

9. PL BAY DR – CL

- CRT4
- * If STBD DOOR not 'CL' within ~6 sec of 'RDY': *
 - * PL BAY DR – STOP *
 - * Go to STBD BKHD LATCH TROUBLESHOOTING *
 - * (AUTO MODE) 9B, 1-23 *
- R13L

- CRT4
- √STBD DOOR – CL (~63 sec)
 - √FWD,AFT LATCHES (two) – blank,CL (~30 sec)
 - √CENTER LATCHES 1-4,13-16 (two) – blank,CL (~20 sec)
 - √5-8, 9-12 (two) – blank,CL (~20 sec)

- R13L
10. PL BAY DR – STOP

POST-PLBD CLOSING CLEANUP

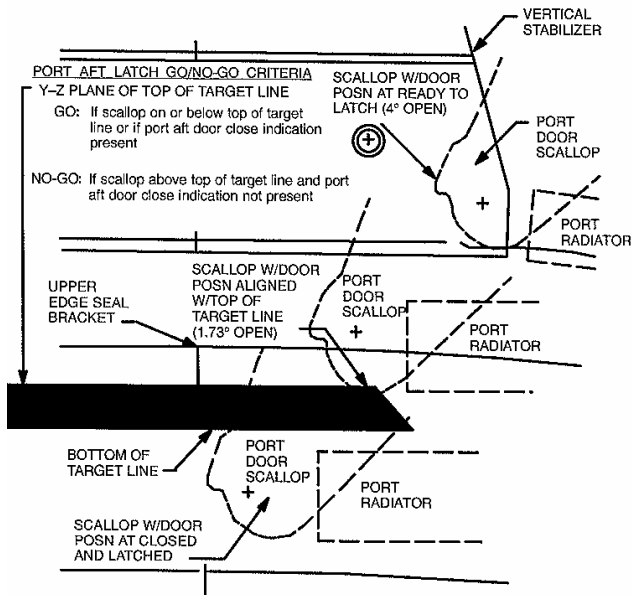
- CRT4
11. PL BAY DR SYS (two) – DSBL
 - √OP/CL STATUS (ten) – CL
 12. AC POWER OFF – ITEM 2 EXEC (*)
 13. GPC/CRT 54 EXEC

MARK AND STOW RAD RETRACT HOSE RECORDING

- L10 (VTR)
14. STOP pb – push, Eject tape, mark as PLBD Closure, stow in RTH bag (L10A1 foam)

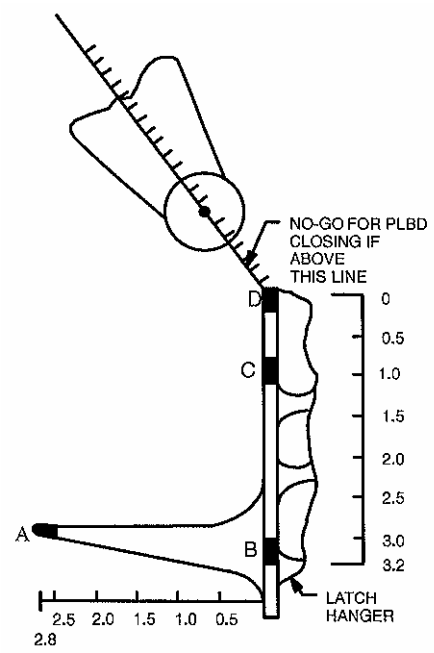
AUTO PLBD CLOSING (Cont)

PORT AFT BULKHEAD LATCH GO/NO-GO DIAGRAM



FUNCTION	PLBD CONTROL								PLBD DISPLAY PL MDM								
	Ref: MA73C:C&D for MCA (cb)																
	MTR 1				MTR 2				C	C	O	O	C	R	R	R	O
	AC/MCA	CNTL	MDM	SYS	AC/MCA	CNTL	MDM	SYS	A	B	A	B	A	B	C		
LATCH																	
5-8	1/MID3	AB3/AB2	PL1	2	3/MID2	CA3/CA1	PL2	1	1	2	1	2					
9-12	1/MID1	AB3/AB1	PL1	1	3/MID4	CA3/CA2	PL2	2	1	2	1	2					
1-4	1/MID3	AB3/AB2	PL1	2	3/MID2	CA3/CA1	PL2	1	1	2	1	2					
13-16	3/MID4	CA3/CA2	PL2	2	2/MID2	BC3/BC1	PL1	1	2	1	2	1					
S FWD	1/MID1	AB3/AB1	PL1	1	2/MID4	BC3/BC2	PL2	2	1	2	1	2					
S AFT	3/MID4	CA3/CA2	PL2	2	2/MID2	BC3/BC1	PL1	1	2	1	2	1					
S DOOR	1/MID1	AB3/AB1	PL1	1	2/MID4	BC3/BC2	PL2	2					1	1	2	2	1
													2	1	2	2	2
P FWD	1/MID1	AB3/AB1	PL1	1	2/MID4	BC3/BC2	PL2	2	1	2	1	2					
P AFT	1/MID3	AB3/AB2	PL1	2	3/MID2	CA3/CA1	PL2	1	1	2	1	2					
P DOOR	3/MID4	CA3/CA2	PL2	2	2/MID2	BC3/BC1	PL1	1					2	1	1	2	2
													1	1	1	2	1

C/L LATCH EXTENDED GUIDE ROLLER TRAJECTORY NO-GO DIAGRAM



PORT BKHD LATCH TROUBLESHOOTING (AUTO MODE) [9A]

- CRT4 1. √PORT DOOR FWD, AFT MICRO-SW STATs
 If PORT DOOR AFT 'C' = '0':
 : 2. √PORT AFT BULKHEAD LATCH GO/NO DIAGRAM, 1-22
 : If NO-GO:
 L Go to MAL, MECH, SSR-2 (CONTINGENCY PLBD CLOSURE)
- If PORT DOOR FWD 'C' = '0':
 :
 : NOTE
 : Use PLB camera A to view port fwd bkhd latch
 : hook/roller #3 as seen in figures 1-1 and 1-2, 1-24
- R13L 3. PL BAY DR SYS 1 – DSBL
 :
 : During the following step, monitor latch hook #3 while driving to
 : ensure hook motion and proper roller engagement
 :
 : * If latch hook #3 stops moving while commanded, or *
 : * it appears that the hook is going to miss or jam *
 : * into its roller: *
 : * PL BAY DR – STOP *
 : * Go to MAL, MECH, SSR-2 (CONTINGENCY *
 : * PLBD CLOSURE) *
4. PL BAY DR – CL
 :
 : 5. When proper roller engagement verified for latch #3:
 L PL BAY DR – STOP
 SYS 1 – ENA
6. Go to step 6 of AUTO PLBD CLOSING [9], 1-21 ignoring the starred
 block

STBD BKHD LATCH TROUBLESHOOTING (AUTO MODE) [9B]

- CRT4 1. √STBD DOOR FWD, AFT MICRO-SW STATs
 If STBD DOOR AFT (FWD) 'C' = '0':
 :
 : NOTE
 : Use PLB camera C(D) to view stbd aft (fwd) bkhd latch
 : hook/roller #3 as seen in figures 1-1 and 1-2, 1-24
- R13L 2. PL BAY DR SYS 1(2) – DSBL
 :
 : During the following step, monitor latch hook #3 while driving to
 : ensure hook motion and proper roller engagement
 :
 : * If at any point latch hook #3 stops moving while *
 : * commanded, or it appears that the hook is going *
 : * to miss or jam into its roller: *
 : * PL BAY DR – STOP *
 : * Go to MAL, MECH, SSR-2 (CONTINGENCY *
 : * PLBD CLOSURE) *
3. PL BAY DR – CL
 :
 : 4. When proper roller engagement verified for latch #3:
 : PL BAY DR – STOP
 L SYS 1(2) – ENA
5. Go to step 9 of AUTO PLBD CLOSING [9], 1-21 ignoring the starred
 block

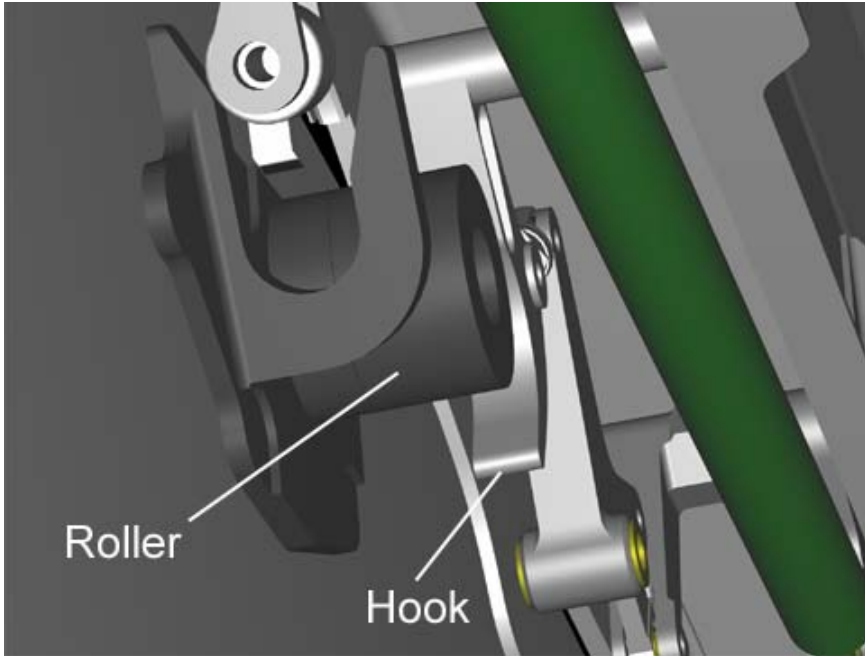


Figure 1-1.- Latch hook/roller #3 typical view from PLB camera

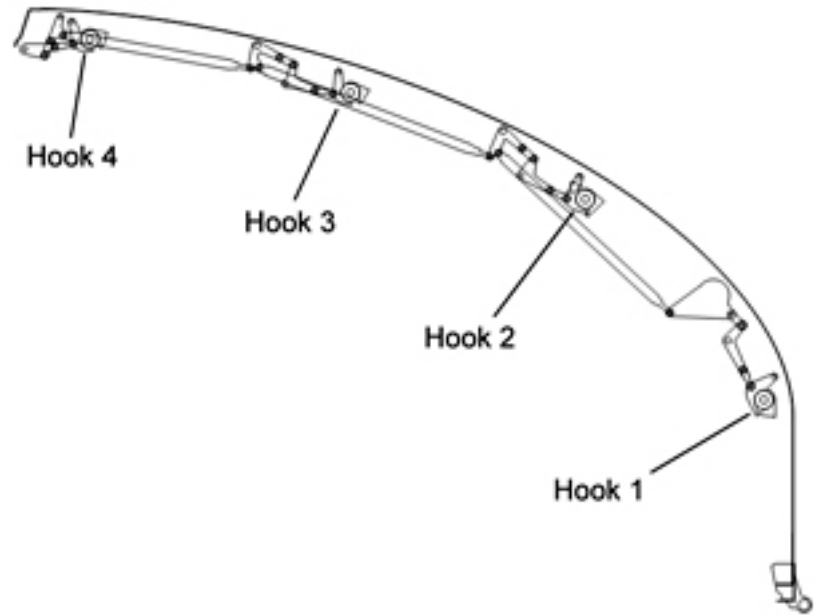


Figure 1-2.- Typical latch hook/roller numbering

MANUAL PLBD CLOSING

DETAILED PLBD CLOSING PROCEDURES

CAUTION

Verify no obstructions before closing and latching PLBD (Ku ANT,RMS,RAD,etc)

Use MANUAL mode for subsequent BFS PLBD ops if BFS AUTO sequence has been interrupted by reversing latch/door drive direction or if MANUAL mode has already been used during mission

- R13L
- * If no motion determined visually or 'OP/CL' *
 - * not blank within 10 sec after cmd: *
 - * PL BAY DR – STOP *
 - * Go to MAL, MECH, 9.1a *
 - * If Latch not 'CL' in single-motor time: *
 - * PL BAY DR – STOP *
 - * Go to MAL, MECH, 9.1e *
 - * If door motion stops and not 'RDY' or 'CL': *
 - * PL BAY DR – STOP *
 - * Go to MAL, MECH, 9.1g *
 - * If SM GPC fails during this operation: *
 - * PL BAY DR SYS (two) – DSBL *
 - * DR – STOP *
 - * Go to PASS SM GPC FAIL (ORB PKT, DPS) *

NOTE

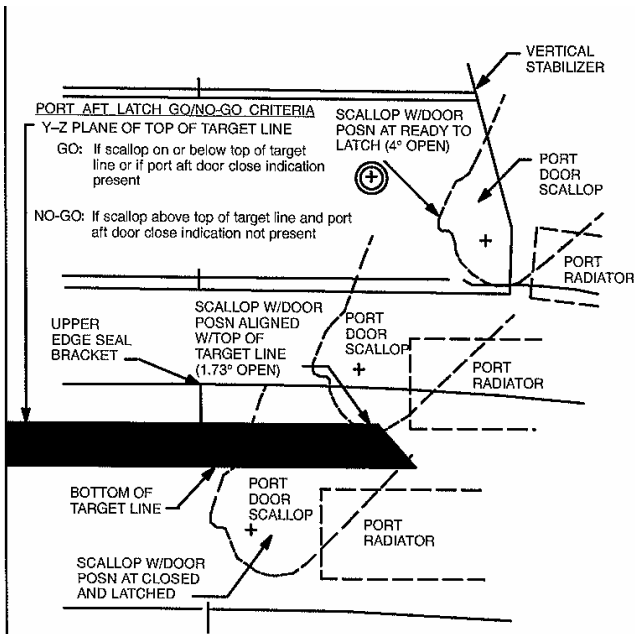
Note any single-motor operations (continue ops) (single-motor times = 2x listed dual-motor times)

- L10 (VTR) 1. RECORD MUXED PORT RAD RETRACT HOSE VIEWS (A and C)
 √Muxed scene displayed on VTR LCD
 REC pb – push, hold
 PLAY pb – push
 √Red dot displayed on LCD
- CRT4 2. CONFIGURE FOR MANUAL MODE
 SM, OPS 202 PRO or BFS, SM 63 PL BAY DOORS
4: SM PL BAY DOORS
- R13L √PL BAY DR – STOP
 CRT4 √PBD SW – STOP
 √MAN SEL (ten) – (no *)
 √PBD SW BYPASS – (no *)
3. AC POWER ON – ITEM 1 EXEC (*)
 √AUTO MODE SEL – (no *)
- R13L 4. PL BAY DR SYS (two) – ENA
 CRT4 √OP/CL STATUS (ten) – OP
- CLOSE PORT DOOR, FWD & AFT LATCHES
 CRT4 5. Select PORT DOOR – ITEM 13 EXEC (*)
 R13L 6. PL BAY DR – CL
- CRT4 * If PORT DOOR not 'CL' within 6 sec of 'RDY': *
 R13L * PL BAY DR – STOP *
 * Go to PORT BKHD LATCH TROUBLESHOOTING *
 * (MANUAL MODE) 9C, 1-27 *
- CRT4 √PORT DOOR – blank,RDY,CL (~63 sec)
 R13L 7. PL BAY DR – STOP

- CRT4 8. Select PORT FWD,AFT LATCHES – ITEM 11, 12 EXEC (*)
 R13L 9. PL BAY DR – CL
 CRT4 √PORT DOOR – CL
 √FWD,AFT LATCHES (two) – blank, CL (~30 sec)
- R13L 10. PL BAY DR – STOP
 CRT4 11. Deselect PORT FWD,AFT LATCHES, & DOOR – ITEM 11,12,13 EXEC (no *)
RECORD MUXED STBD RAD RETRACT HOSE VIEWS (D and B)
- A7 12. VID IN MUX 2 pb – push
 L10 (VTR) √Muxed scene displayed on VTR LCD
CLOSE STBD DOOR, FWD & AFT LATCHES
- R13L 13. Select STBD DOOR – ITEM 10 EXEC (*)
 CRT4 14. PL BAY DR – CL
 √STBD DOOR – blank
15. When Stbd Door as close as possible to Port Door before contact, perform fit check:
 R13L PL BAY DR – STOP
 Determine C/L Latch clearance on C/L LATCH EXTENDED GUIDE ROLLER TRAJECTORY NO-GO DIAGRAM, 1-26
 * If NO-GO for PLBD CLOSE: *
 * If no waveoff capability: *
 * Go to MAL, MECH SSR-3 (SIMULTANEOUS PLBD CL) *
 * If waveoff OK: *
 * √MCC *
16. PL BAY DR – CL
 * If STBD DOOR not 'CL' within 6 sec of 'RDY': *
 R13L * PL BAY DR – STOP *
 * Go to STBD BKHD LATCH TROUBLESHOOTING *
 * (MANUAL MODE) 9D, 1-27 *
- CRT4 √STBD DOOR – RDY,CL (~63 sec)
 R13L 17. PL BAY DR – STOP
 CRT4 18. Select STBD FWD,AFT LATCHES – ITEM 8,9 EXEC (*)
 R13L 19. PL BAY DR – CL
 CRT4 √STBD DR – CL
 √FWD AFT LATCHES (two) – blank, CL (~30 sec)
- R13L 20. PL BAY DR – STOP
 CRT4 21. Deselect STBD FWD,AFT LATCHES & DOOR – ITEM 8,9,10 EXEC (no *)
CLOSE C/L LATCHES
- R13L 22. Select CENTER LATCHES 1-4,13-16 – ITEM 6,7 EXEC (*)
 CRT4 23. PL BAY DR – CL
 √CENTER LATCHES 1-4,13-16 (two) – blank,CL (~20 sec)
- R13L 24. PL BAY DR – STOP
 CRT4 25. Deselect CENTER LATCHES 1-4,13-16 – ITEM 6,7 EXEC (no *)
 26. Select CENTER LATCHES 5-8,9-12 – ITEM 4,5 EXEC (*)
- R13L 27. PL BAY DR – CL
 CRT4 √CENTER LATCHES 5-8,9-12 (two) – blank,CL (~20 sec)
- R13L 28. PL BAY DR – STOP
 CRT4 29. Deselect CENTER LATCHES 5-8,9-12 – ITEM 4,5 EXEC (no *)
POST-PLBD CLOSING CLEANUP
- R13L 30. PL BAY DR SYS (two) – DSBL
 CRT4 √OP/CL STATUS (ten) – CL
31. AC POWER OFF – ITEM 2 EXEC (*)
 32. GPC/CRT 54 EXEC
- L10 (VTR) 33. MARK AND STOW RAD RETRACT HOSE RECORDING
 STOP pb – push, Eject tape, mark as PLBD Closure, stow in RTH bag (L10A1 foam)

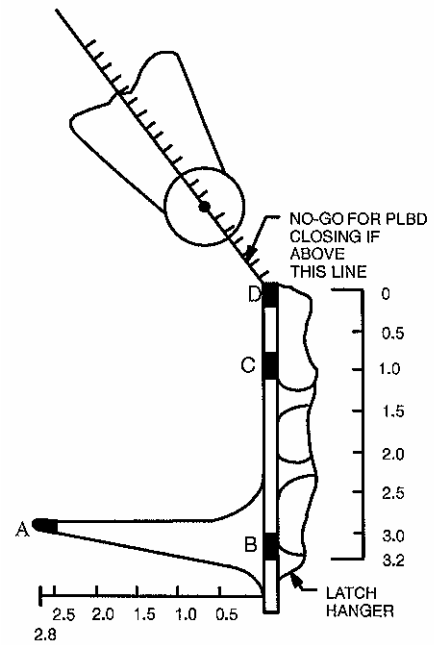
MANUAL PLBD CLOSING (Cont)

PORT AFT BULKHEAD LATCH GO/NO-GO DIAGRAM



FUNCTION	PLBD CONTROL								PLBD DISPLAY PL MDM								
	Ref: MA73C:C&D for MCA (cb)																
	MTR1				MTR2				C C O O C R R R O		A B A B		A B C				
	AC/MCA	CNTL	MDM	SYS	AC/MCA	CNTL	MDM	SYS	A	B	A	B	A	B	C		
LATCH																	
5-8	1/MID3	AB3/AB2	PL1	2	3/MID2	CA3/CA1	PL2	1	1	2	1	2					
9-12	1/MID1	AB3/AB1	PL1	1	3/MID4	CA3/CA2	PL2	2	1	2	1	2					
1-4	1/MID3	AB3/AB2	PL1	2	3/MID2	CA3/CA1	PL2	1	1	2	1	2					
13-16	3/MID4	CA3/CA2	PL2	2	2/MID2	BC3/BC1	PL1	1	2	1	2	1					
S FWD	1/MID1	AB3/AB1	PL1	1	2/MID4	BC3/BC2	PL2	2	1	2	1	2					
S AFT	3/MID4	CA3/CA2	PL2	2	2/MID2	BC3/BC1	PL1	1	2	1	2	1					
S DOOR	1/MID1	AB3/AB1	PL1	1	2/MID4	BC3/BC2	PL2	2					1	1	2	2	1
P FWD	1/MID1	AB3/AB1	PL1	1	2/MID4	BC3/BC2	PL2	2	1	2	1	2					
P AFT	1/MID3	AB3/AB2	PL1	2	3/MID2	CA3/CA1	PL2	1	1	2	1	2					
P DOOR	3/MID4	CA3/CA2	PL2	2	2/MID2	BC3/BC1	PL1	1					2	1	1	2	2
													1	1	1	2	1

C/L LATCH EXTENDED GUIDE ROLLER TRAJECTORY NO-GO DIAGRAM



PORT BKHD LATCH TROUBLESHOOTING (MANUAL MODE) [9C]

- CRT4 1. √PORT DOOR FWD, AFT MICRO-SW STATs
 If PORT DOOR AFT 'C' = '0':
 : 2. √PORT AFT BULKHEAD LATCH GO/NO DIAGRAM, 1-26
 : If NO-GO:
 L Go to MAL, MECH, SSR-2 (CONTINGENCY PLBD CLOSURE)
- If PORT DOOR FWD 'C' = '0':
 :
 : NOTE
 : Use PLB camera A to view port fwd bkhd latch
 : hook/roller #3 as seen in figures 1-3 and 1-4, 1-28
- R13L 3. PL BAY DR SYS 1 – DSBL
 :
 : During the following step, monitor latch hook #3 while driving to
 : ensure hook motion and proper roller engagement
 :
 : * If at any point latch hook #3 stops moving while *
 : * commanded, or it appears that the hook is going *
 : * to miss or jam into its roller: *
 : * PL BAY DR – STOP *
 : * Go to MAL, MECH, SSR-2 (CONTINGENCY *
 : * PLBD CLOSURE) *
- CRT4 4. Select PORT FWD,AFT LATCHES – ITEM 11,12 EXEC (*)
 R13L 5. PL BAY DR – CL
 :
 : 6. When proper roller engagement verified for latch #3:
 : PL BAY DR – STOP
 : SYS 1 – ENA
 L Go to step 9 of MANUAL PLBD CLOSING [9], 1-25
7. Go to step 8 of MANUAL PLBD CLOSING [9], 1-25

STBD BKHD LATCH TROUBLESHOOTING (MANUAL MODE) [9D]

- CRT4 1. √STBD DOOR FWD, AFT MICRO-SW STATs
 If STBD DOOR AFT (FWD) 'C' = '0':
 :
 : NOTE
 : Use PLB camera C(D) to view stbd aft (fwd) bkhd latch
 : hook/roller #3 as seen in figures 1-3 and 1-4, 1-28
- R13L 2. PL BAY DR SYS 1(2) – DSBL
 :
 : During the following step, monitor latch hook #3 while driving to
 : ensure hook motion and proper roller engagement
 :
 : * If at any point latch hook #3 stops moving while *
 : * commanded, or it appears that the hook is going *
 : * to miss or jam into its roller: *
 : * PL BAY DR – STOP *
 : * Go to MAL, MECH, SSR-2 (CONTINGENCY *
 : * PLBD CLOSURE) *
- CRT4 3. Select STBD FWD,AFT LATCHES – ITEM 8,9 EXEC (*)
 : 4. PL BAY DR – CL
 :
 : 5. When proper roller engagement verified for latch #3:
 : PL BAY DR – STOP
 L SYS 1(2) – ENA
6. Go to step 19 of MANUAL PLBD CLOSING [9], 1-25

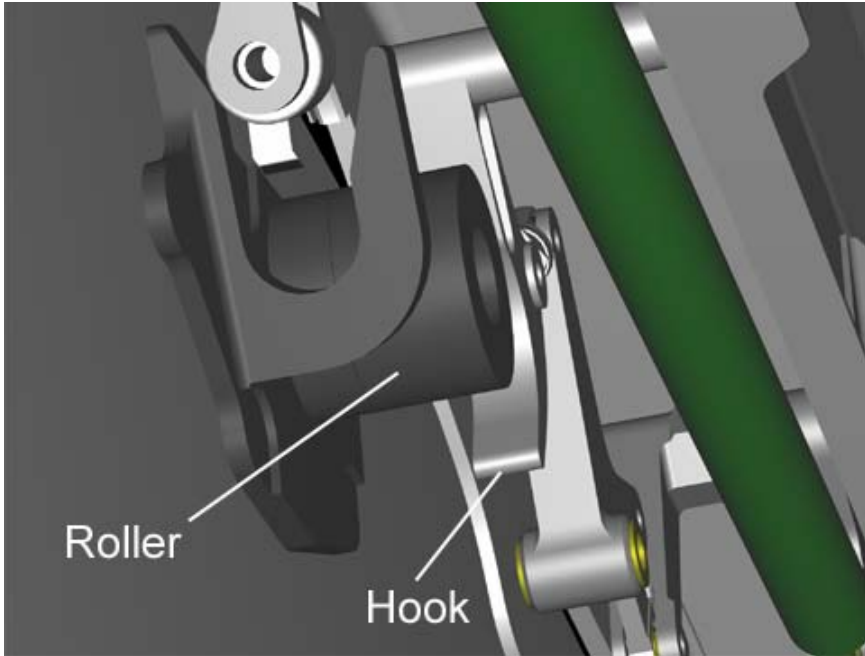


Figure 1-3.- Latch hook/roller #3 typical view from PLB camera

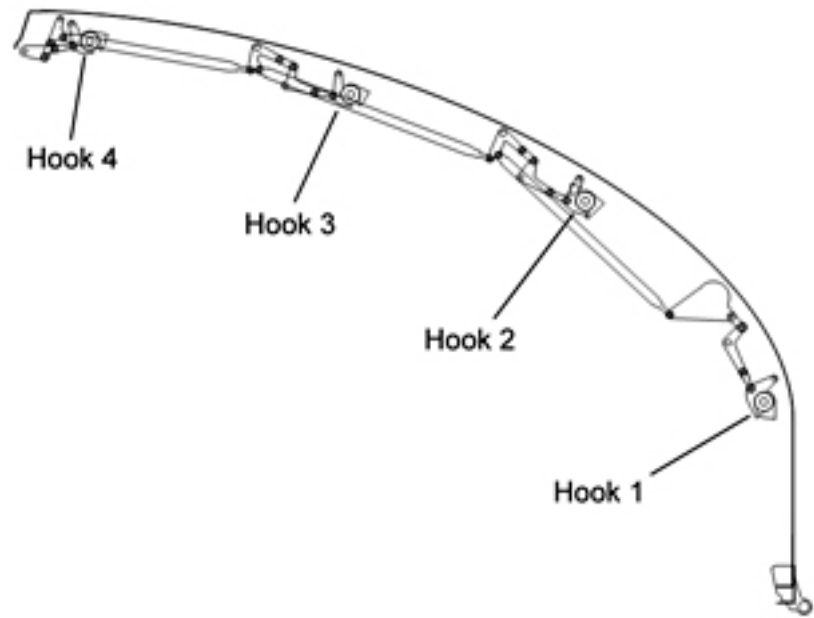


Figure 1-4.- Typical latch hook/roller numbering

MS AFT FLIGHT DECK ACTIVITIES

NOTE

WAIT FOR GO FROM CDR OR PLT BEFORE STARTING ANY ACTIVITY ON THIS PAGE

TIME (TIG-)	MS AFT DECK ACTIONS
3:35	<u>SPECIALIST SEAT INSTALLATION</u> Verify Leg Attach Collars (four) – DOWN/LOCKED
3:10	<u>PARTIAL ENT SWITCH LIST/VERIF (AFT)</u>
2:55	<u>CONFIG FOR PLBD CLOSING [7]</u> , 1-33
2:51	If reqd, PAYLOAD DEACT, (PL OPS, <u>DEORB PREP</u>) or PAYLOAD DEACTIVATION (SODF: ASSY OPS: DEORBIT PREP)
2:40	<u>DETAILED PLBD CLOSING PROCEDURES [9]</u> , 1-21
2:25	<u>POST CLOSING CONFIG [10]</u> , 1-34
1:56	<u>DEACT STAR TRKRS & CLOSE DOORS [13]</u> , 1-30 <u>ENT AFT FLT DECK CONFIG [15]</u> , 1-30
1:55	<u>PAYLOAD ENT SW LIST/VERIF (PL OPS, DEORB PREP or PAYLOAD ENTRY SWITCH LIST VERIFICATION (SODF: ASSY OPS: DEORBIT PREP)</u>
1:50	<u>FINAL ENT SWITCH LIST VERIF (AFT)</u> , 3-22 thru 3-33
1:41	<u>RESET C/W [18]</u> , 1-30
1:40	<u>ENTRY REVIEW</u>
1:28	DSO 603, if reqd (BIOMED, <u>BIOMED DSOs</u>)
1:10	<u>CLOTHING CONFIG [21]</u> , 1-30
1:00	Begin Fluid Loading per individual prescription. Fluid Loading should be completed by EI For 1 rev waveoff, repeat half the protocol If > 1 rev waveoff, repeat entire protocol
0:53	<u>AFT AUD SPKR CONFIG [28]</u>
0:52	<u>WIRELESS STOW</u> , if flown <u>[24]</u> , 1-19

Block [11] deleted

<u>AFT AUD SPKR CONFIG [28]</u>	
	Verify CDR,PLT on headsets
A13	OS AUD SPKR PWR – OFF MS COMM CCU PWR – OFF Disconnect and stow Handheld Mic Configure MHA to MS CCU per entry plug-in plan Connect Lightweight Headsets or ACES Comm Cap MS COMM CCU PWR – ON

(Cont next page)

MS MIDDECK ACTIVITIES

NOTE
WAIT FOR GO FROM CDR OR PLT BEFORE STARTING ANY ACTIVITY ON THIS PAGE

TIME (TIG-)	MS MIDDECK ACTIONS
3:50	<u>ENT STOWAGE</u> [3]
3:50	<u>ENT AIRLOCK CONFIG</u> [3A], 1-32
3:35	<u>SPECIALIST SEAT INSTALLATION</u> Verify Leg Attach Collars (four) – DOWN/LOCKED Verify LiOH Door Latches (four) – ENGAGED
3:10	<u>PARTIAL ENT SWITCH LIST/VERIF (MID)</u> , 3-10 thru 3-12
1:55	<u>ENT MIDDECK CONFIG</u> [16]
1:50	<u>FINAL ENT SWITCH LIST/VERIF (MID)</u> , 3-30 thru 3-32
1:40	<u>ENTRY REVIEW</u>
1:28	DSO 603, if reqd (BIOMED, BIOMED DSOs)
1:10	<u>CLOTHING CONFIG</u> [20], 1-32
1:00	Begin Fluid Loading per individual prescription. Fluid Loading should be completed by EI For 1 rev waveoff, repeat half the protocol If > 1 rev waveoff, repeat entire protocol
0:55	Remove, stow Side Hatch UV Filter, Locking Device, and Pyro Box Safing Pin
0:51	<u>MD AUD SPKR CONFIG</u> [29], 1-32
0:35	<u>GALLEY DEACT</u> [26]
0:33	<u>WCS DEACT</u> [27], 1-32

<u>ENT MIDDECK CONFIG</u> [16]	
	<u>ENTRY COMM</u>
MO42F	MIDDECK SPKR AUD A/G 1 – T/R A/G 2 – T/R A/A – T/R ICOM (two) – T/R VOX SENS – R VOL tw (five) – R XMIT/ICOM MODE – R
	<u>MIDDECK PCS</u>
MO10W	14.7 CAB REG INLET vlv (two) – CL H2O TK N2 REG INLET vlv (two) – OP O2 REG INLET vlv (two) – CL
MO32M	LEH O2 vlv (two) – R
MO69M	LEH O2 8 vlv – CL Remove, stow O2 Bleed Orifice LEH O2 8 vlv – R 7 vlv – R
SIDE HATCH	NEG PRESS RLF VLV COVER (two) – pull open to vent; push firmly to close
	<u>RMS PNL LTS</u> (if RMS onboard)
MA73C:F	cb RMS PRI ΦA – op B/U ΦA – op
	<u>AC UTILITY OUTLET</u> cb AC1 MAR 3Φ – op

<u>ENT STOWAGE</u> [3]
<u>PERSONAL HYGIENE SYS STOWAGE</u> Stow: Personal Hygiene Kits Hose
<u>AIRLOCK CLOSEOUT</u> Tether soft goods to EVA tether point or AVL Stowage Bag. Gray Tape to floor
<u>POLE SETUP</u> Reinstall Stbd Pip Pin Reinstall large Port Pin: Retract and hold Locking Pin (Ring) Reinstall large Pin Release Locking Pin (Ring) Slide forward Safing Latch
√ Pole Straps secure
<u>FDI STOWAGE</u> Stow FLIGHT PLAN
<u>CABIN CONFIG</u> Stow: Backup PGSC Middeck Camrs, Accessories FWD/AFT Shades, Filters Exercise Equipment
√ Retention net is in ASC/ENT config
<u>EGRESS ROUTE CONFIG</u> Tape Foot Loops in egress routes
<u>NOTE</u>
Chemlights are middeck carry-on items. Activate green chemlights after TIG. Do not activate orange chemlights (slide ops only)
Install green chemlights (8 ea) near egress hdw and egress routes Install orange chemlights (2 ea) above side hatch

<u>GALLEY DEACT</u> [26]	
GALLEY	OVEN/RHS – OFF H2O HTRS (two) – OFF √OVEN FAN – OFF √REHYD STA lever – cl (push in) √OVEN DOOR LATCH – latched
MA73C:G	cb AC3 GALLEY FAN (three) – op
ML86B:A	MNC SPLY H2O GALLEY SPLY – op
:B	MNA GALLEY OVEN – op MNB GALLEY H2O HTR – op

(Cont next page)

Back of MS MIDDECK ACTIVITIES

ENT AIRLOCK CONFIG 3A

- | | | |
|-------------|-----|--|
| MIDDECK FLR | 1. | Disconnect Duct from aft middeck floor fitting and strap to Tunnel Extension wall |
| | 2. | Unstow, install diffuser cap on aft middeck floor fitting |
| EXT A/L | 3. | NEG PRESS RLF vlv cover (two) – pull open to vent; push firmly to close |
| AW18A | 4. | LTG FLOOD 1(3,4) – OFF |
| INNER HATCH | 5. | Perform AIRLOCK ENTRY SWITCH LIST/VERIFICATION, 3-3 |
| | 6. | Close hatch:
Position handle to preclosing posn per decal
Hatch – rotate about hinge and push
Handle – CCW to LATCH
Lock lever to LOCKED |
| | 7. | Equal vlv (two) – NORM, install caps |
| MIDDECK FLR | 8. | √EMU O2 ISOL vlv – CL |
| MO13Q | 9. | AIRLK 2 – OFF/ON |
| | 10. | √AIRLK H2O S/O vlv – OP (tb-op) |
| ML86B:C | 11. | √cb MNB EXT ARLK HTR VEST Z1/2/3 – op |
| :F | 12. | cb MNA FLOODS AIRLK 1 – op
MIDDECK 9 – op
cb MNB FLOODS MIDDECK 10 – op
AIRLK 3 – op
cb MNC FLOODS AIRLK 4 – op |
| :G | 13. | cb ESS 1BC FLOOD AIRLK 2 – op |

CLOTHING CONFIG 20

Unstow, don:
ACES
Harness
Boots

Verify ACES Gloves (Spare) available. Relocate as reqd

Remove radiation dosimeter from inflight garments and insert in ACES; if waveoff, remove radiation dosimeter from ACES and insert in inflight garments

NOTE

Refer to flight specific utility outlet plug-in plan if reqd

Connect middeck cooling units per PWR/DATA/VIDEO:
ASCENT/ENTRY CONFIG (REF FS, UTIL PWR)

MO13Q,	DC UTIL PWR MNA(B,C) – ON as reqd
MO30F,	Cooling units – Hose Jumper Plug installed
MO52J,	Pre-chill cooling units 10 min prior to seat ingress
PDB J2(3,4),	
ML85E (MUP)	

WCS DEACT 27

- | | |
|-------|---|
| WCS | VAC VLV – CL
√MODE sel – AUTO
FAN SEP sel – OFF
Unstow hose from cradle, attach hose to WCS housing via Velcro straps
Stow:
WCS Trash Can
Mirror
Privacy Curtain |
| | Foot/toe restraints – up, latched |
| | Close and latch door |
| ML31C | VAC VENT ISOL VLV BUS SEL – MNB
CNTL – CL (tb-CL)
NOZ HTR – OFF |
| | √Middeck lts as reqd |

MD AUD SPKR CONFIG 29

- | | |
|-------|---|
| MO42F | MIDDECK AUD SPKR PWR – OFF |
| MO39M | MIDDECK COMM CCU PWR – OFF |
| | Disconnect and stow Handheld Mic |
| | Configure MHA to MID CCU per entry plug-in plan |
| | Connect Lightweight Headsets or ACES Comm Cap |
| | MIDDECK COMM CCU PWR – ON |

CONFIG FOR PLBD CLOSING [7]

CONFIG RMS/OBSS (if RMS/OBSS onboard)

1. ✓ Elbow Camr in aligned position
 - Pan 90° from X-axis
 - Tilt per decal
- A8L 2. RMS PWR – OFF (SM ALERT, BCE BYP MCIU)
PORT RMS HTR (two) – OFF
- R11L 3. SET UP LIGHTS
- MDU ✓ IDP/CRT4 PWR – ON
- A6U ✓ CRT 4 PWR – ON
✓ ANNUN BUS SEL – MNC

NOTE

Minimum operating time for PLB
Floodlights: 10 min ~3 min to full bright

- A7U PL BAY FLOOD AFT STBD – ON
PORT – ON
MID STBD – OFF
PORT – OFF
FWD STBD – ON
PORT – ON
BHD – ON

Record MET ____ / ____ : ____ : ____

- * If PLB floodlight not ON to full bright within 5 min: *
- * (Aff) PL BAY FLOOD – OFF *

TV ACT

4. Perform ACTIVATION, OPERATION (Cue Card, TV) to activate camrs A, B, C, D (ALC-AVG with Illuminators on)
5. ✓ MCC for rad hose camr pointing and composed MUX1(A,C) and MUX2(D,B) camr views (see fig 1-5, fig 1-6 1-35, fig 1-7 1-36)

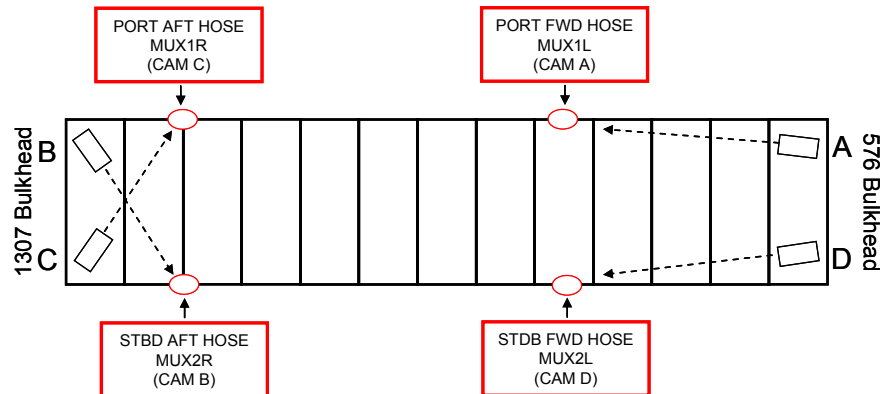


Figure 1-5. RAD hose camera hose muxing

If camr pointing and muxing required for rad retract hose recording:

A7

Point Cameras A and C at PORT FWD and AFT rad retract hose:

6. VID OUT MON 1 pb – push
IN A pb – push
PAN/TILT, ZOOM, FOCUS as reqd to center PORT FWD rad retract hose in FOV
7. VID IN C pb – push
PAN/TILT, ZOOM, FOCUS as reqd to match FOV in fig 1-6.
Rad retract hose obscured

Point Camrs D and B at STBD FWD and AFT rad retract hose:

8. VID OUT MON 2 pb – push
IN D pb – push
PAN/TILT, ZOOM, FOCUS as reqd to center STBD FWD rad retract hose in FOV
9. VID IN B pb – push
PAN/TILT, ZOOM, FOCUS as reqd to match FOV in fig 1-7.
Rad retract hose partially obscured

MUX CAMRS A and C:

10. VID OUT MON 1 pb – push
IN MUX 1 pb – push
OUT MUX 1 L pb – push
IN A pb – push
OUT MUX 1 R pb – push
IN C pb – push

MON 1

11. Verify both rad retract hoses are centered in each MUX half views; adjust accordingly

A7

MUX CAMRS D and B:

12. VID OUT MON 2 pb – push
IN MUX 2 pb – push
OUT MUX 2 L pb – push
IN D pb – push
OUT MUX 2 R pb – push
IN B pb – push

MON 2

13. Verify both rad retract hoses are centered in each MUX half views; adjust accordingly

Route MUXED video to DTV

R1

14. ✓ PL AUX – ON
✓ cb AC2 PL 3Φ – cl
15. Reinstall VIP OUT-to-VTR IN jumper cable
16. VTR/CC PWR – on (LED on)
17. ✓ ATU – REC
✓ CCTV VID IN – J3
PWR – on (LED on, DATA FLOW flashes twice)

(VTR)

18. ✓ ON/STANDBY LED – green
✓ Switches set to white dot (seven)
Insert new tape (tape icon LED on)

A7


19. VID OUT DTV pb – push
IN MUX 1 pb – push

L10 (VTR)

20. ✓ MUX scene displayed on VTR LCD

POST CLOSING CONFIG 10

If radiator hose exhibits bend,
RADIATOR HOSE STILL PHOTOS

- Vol 3B : Unstow, Configure Hardware
- 400mm lens : 1. Unstow D2Xs, 400mm lens
- D2Xs : √400mm lens attached to D2Xs
- : Aperture - Min, locked
- : Lens Focus Mode - M
- : Body Focus Mode - S
- : √Batt installed
- : √Flash Card installed
- : Pwr - ON
- : Top LCD
- : √Batt
- : √Frames remaining sufficient
- : Exp Comp () - 0.0
- : Exp Mode - A
- : f/stop - f/2.8
- : Meter - Matrix ()
- : Diopter - Adjust
- : Frame Rate - S
- : √BKT disabled - 0 F
- : Rear LCD
- : ISO - 800
- : √QUAL - RAW
- : √WB 0,A
- : AF Area Mode - [[]]
- : √Focus Area - Center
- : √Focus Selector Lock - L

W10

Photograph PORT Radiator FWD Hose

- 2. √Camr A,B,C,D illuminators,PLB lights are ON
- Remove window shield
- Frame fwd radiator hose while stabilizing lens on window frame
- Focus on hose
- Take images
- Reinstall window shield

W9

Photograph STBD Radiator FWD Hose

- 3. Remove window shield
- Frame fwd radiator hose while stabilizing lens on window frame
- Focus on hose
- Take images
- Reinstall window shield

D2Xs

Deactivate,Stow Hardware

- 4. Exp Mode - P
- Rear LCD
- ISO - 100
- Turn Camr Pwr - OFF
- L 5. Stow D2Xs, 400mm lens

Vol 3B

CONFIG STBD RMS/OBSS

- STBD RMS HTR (two) – OFF
- RSC PWR – OFF
- OBSS SW PWR – OFF
- cb OBSS SW PWR CB1 – op

A8L
R12 (OBSS)
(OPP)

NOTE

PLB Floodlights must be off for minimum of 10 min UNBLOCKED, 16 min BLOCKED prior to reuse

A7U
L10 (VTR)

- After floodlights ON > 10 min:
- PL BAY FLOOD (all) – OFF
- Install fresh 3-hr tape for entry video
- Reconnect Mini-Cam AVIU J1 video output to VTR IN, as reqd
- Perform DEACTIVATION (Cue Card, TV), then:
- Stow Flight Deck Camrs, Accessories

FOOT LOOP CONFIG

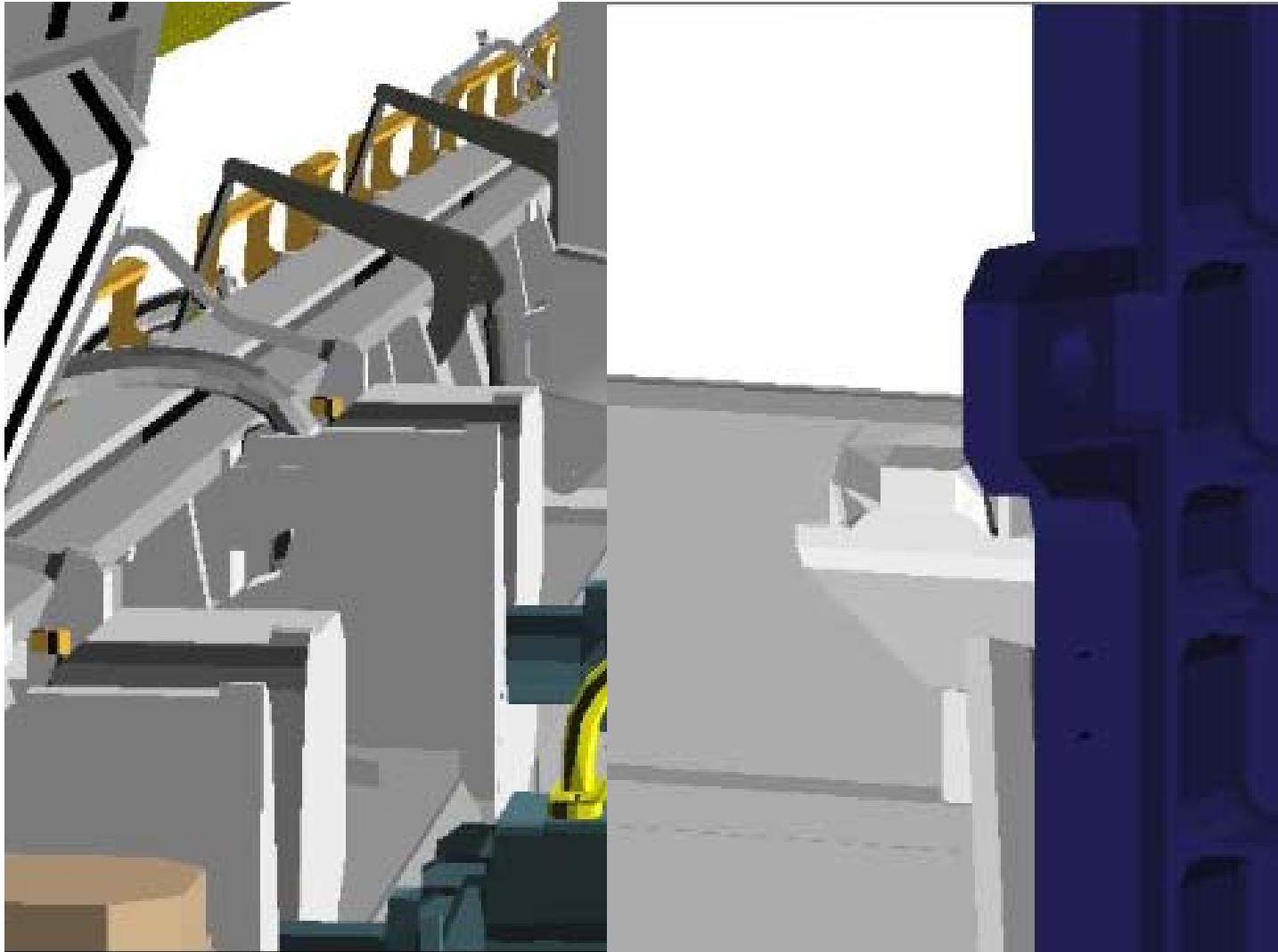
Tape Foot Loops in egress routes



MUX 1L (camera A)

MUX 1R (camera C) Note: No Rad Retract Hose in View

Figure 1-6. MUX 1 Views of Camera A & C



MUX 2L (Camera D)

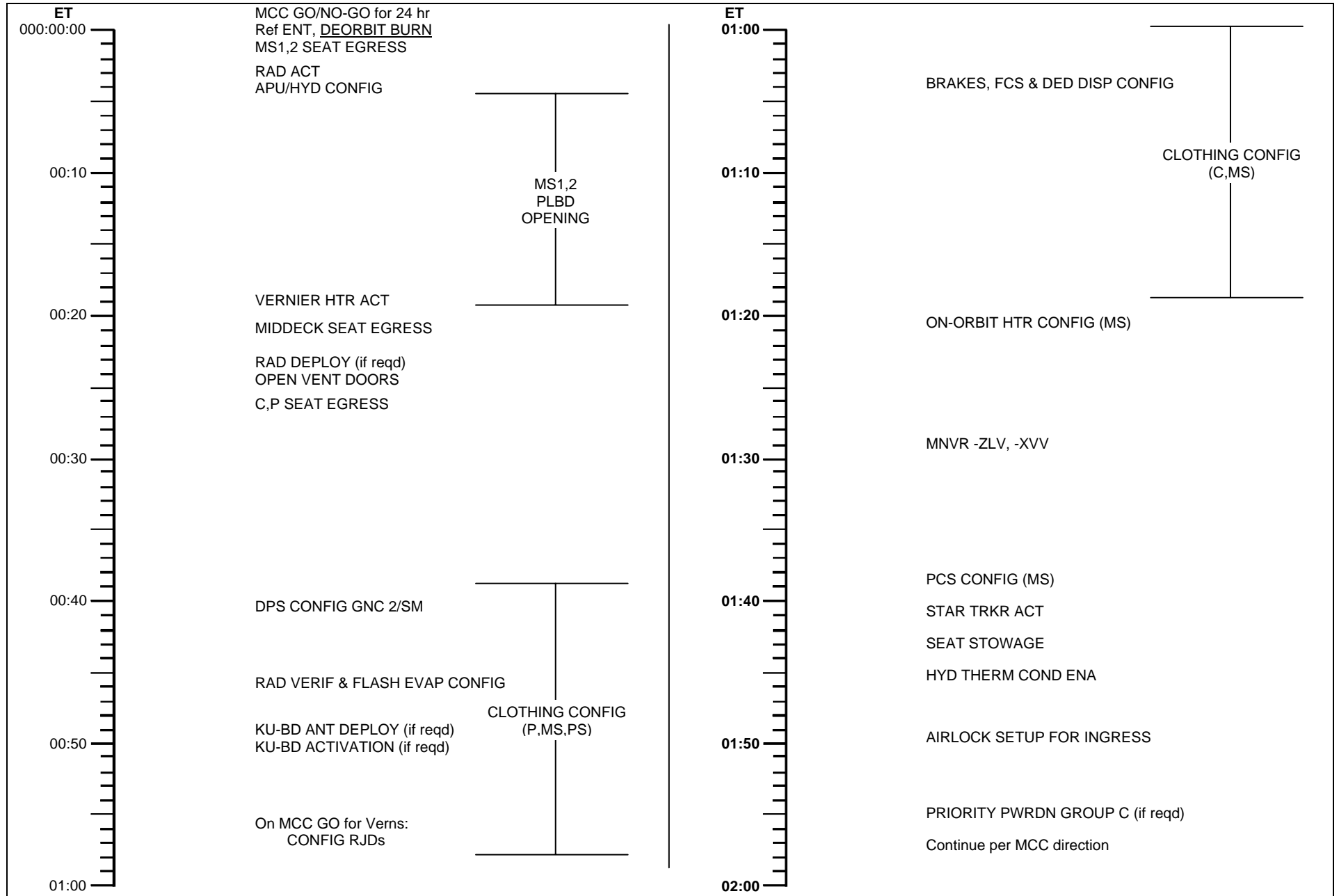
MUX 2R (Camera B) Note: Partial Rad Retract Hose in View

Figure 1-7. MUX 2 Views of Camera D & B

DEORBIT PREP BACKOUT PROCEDURES

This Page Intentionally Blank

DEORBIT PREP BACKOUT SUMMARY TIMELINES



This Page Intentionally Blank

ET		1: GNC DEORB MNVR COAST	2: GNC DEORB MNVR COAST	3: BFS, GNC DEORB MNVR COAST
00:00:00	MCC/CREW GO/NO-GO FOR 24 HR	MS1,2	C6	Ref ENT, DEORBIT BURN LEH O2 vlv (four) – CL FLT DECK SPECIALIST SEAT EGRESS (all others remain seated) CONFIG FOR PLBD OPENING [1], 2-15
	TRANS DAP AUTO RT 0.5 DB 3.5	C		RAD ACT [2]
		P		APU/HYD CONFIG [3]
		MS		PLBD OPENING [5], 2-13
00:10				MS1,2 PLBD OPENING
		C,P	O5,O9	MCC: GO/NO-GO for PRIORITY PWRDN GROUP C scheduled at ET 02:00
			O6	L,R AUD A/G 2 (two) – RCV XMIT/ICOM MODE – PTT/VOX (recommended) UHF MODE – OFF
00:15		C	L1	CAB TEMP CNTLR – 2 TEMP – adj rotary as reqd
		C	L4:J	cb SIG COND HUM SEP – cl IMU FAN – cl
		MS		VERNIER HTR ACT [6]
00:20		MS,PS		WHEN PLBD OPENING COMPLETE: SEAT EGRESS (all middeck)
		MS	MO32M	LEH O2 vlv (two) – CL
			MO69M	– CL
		MS		RAD DEPLOY, if reqd (ORB OPS, ECLS)
		MS		PRELIM MIDDECK CONFIG [7], 2-17
		P		OPEN VENT DOORS
00:25				[1: GNC 51 OVERRIDE]
		C,P		VENT DOOR CNTL OPEN – ITEM 43 EXEC (*) Unstow/install HUD covers (two) SEAT EGRESS
00:30		MS		PDF/COMM CONFIG MS AFT ACTIVITIES [8], 2-15

RAD ACT [2]

C L1

√RAD CNTLR OUT TEMP – NORM
BYP VLV MODE (two) – AUTO
CNTLR LOOP (two) – AUTO A(B)

After ~90 sec,
√RAD BYP VLV tb (two) – RAD

- * If tb(s) remain in BYP or return to BYP: *
- * Use alternate RAD CNTLR *
- * Do not drive BYP VLV(s) manually *
- * If tb(s) bp: *
- * Do not select alternate RAD CNTLR *
- * Do not drive BYP VLV(s) manually *
- * If EVAP OUT T low or H2O ICH OUT T *
- * low: *
- * RAD BYP VLV MODE (two) – MAN *
- * MAN SEL (two) – BYP *
- * (after ~3 sec tb-BYP) *

APU/HYD CONFIG [3]

P R2

APU SHUTDOWN (EPCL, APU/HYD)

BLR N2 SPLY (three) – OFF
HYD MN PUMP PRESS (three) – NORM

VERNIER HTR ACT [6]

P A14

RCS/OMS HTR FWD RCS JET 5 – AUTO
AFT RCS JET 5 – AUTO

NOTE

Delay use of verniers until MCC GO in GNC OPS 2

CLOTHING CONFIG 9

Doff/Stow:
Harness,Boots,ACES,UCD (if not used)

Remove radiation dosimeter from ACES and insert in inflight garments

Doff/Stow in Wet Trash (if used):
UCD (clamp)
Emesis Bag (unstow new Bag)

DPS CONFIG TO GNC2/SM 11

NOTE

No keyboard entries or sw throws 10 sec:
Before and after moding PASS GPCs to RUN
Before OPS transition or set expansion/contraction requests until new OPS base page is displayed

1. **TRANSITION TO GNC OPS 201**

GNC 0 GPC MEMORY

√CONFIG – ITEM 1 +2 EXEC

Config for single G2 GPC ops unless directed otherwise by MCC:

Modify MC 2 per table →

		DUAL G2	SINGLE G2
CONFIG GPC		2	2
STR	1	1	1
	2	2	1
	3	1	1
	4	2	1
PL	1/2	0	0
CRT	1	1	1
	2	2	1
	3	0	0
	4	2	1
L	1	0	0
	2	0	0
MM	1	1	1
	2	2	1

C3

Modify MC 2 per table →

BFC CRT DISP – OFF

GNC, OPS 201 PRO

GNC UNIV PTG

DAP: B/AUTO/PRI

GNC 1 DPS UTILITY

√CKPT RETRV ENA – ITEM 12 EXEC (*)

BFC CRT DISP – ON

C2 BFS, MSG RESET (√BFC It off)

CRT

GNC, GPC/CRT 04 EXEC

If single G2 GPC ops:

CRTX

MAJ FUNC – PL

GPC/CRT 2/X EXEC

X: PL GPC MEMORY

CONFIG ITEM 45 +2 EXEC

GPC ITEM 46 +2 EXEC

STORE ITEM 47 EXEC

Store complete when MC = 02

√All IDPs deassigned from FD GPC

O6

GPC MODE 2 – STBY (tb-bp)

– HALT (tb-bp)

– STBY (tb-RUN)

– HALT (tb-bp)

C3
CRTX

2. **FREEZE DRY GPC 3**

BFC CRT DISP – OFF

MAJ FUNC – PL

GPC/CRT 3/X EXEC

X: PL GPC MEMORY

CONFIG – ITEM 45 +2 EXEC

GPC – ITEM 46 +3 EXEC

STORE – ITEM 47 EXEC

Store complete when MC = 02 (~16 sec)

√All IDPs deassigned from FD GPC

O6

GPC MODE 3 – STBY (tb-bp)

– HALT (tb-bp)

– STBY (tb-RUN)

– HALT (tb-bp)

CRTY

3. **TRANSITION GPC 4 TO SM OPS 201(401)**

MAJ FUNC – SM

GPC/CRT 4/X EXEC

X: SM GPC MEMORY

CONFIG – ITEM 1 +4 EXEC

√MC 4(5) per table →

CRTX

SM, OPS 201(401) PRO

X: SM ANTENNA

DAP: B/AUTO/PRI

SM 1 DPS UTILITY

UL CNTL AUTO – ITEM 35 EXEC

	CONFIG GPC	4(5) 00040
STR	1	0
	2	0
	3	0
	4	0
PL	1/2	4
CRT	1	4
	2	4
	3	0
	4	4
L	1	4
	2	0
MM	1	4
	2	4

C3
CRT3

4. **RECONFIG GPCs**

BFC CRT DISP – ON

BFS, GNC OPS 000 PRO

3: BFS, GNC GPC MEMORY

C3

BFC CRT DISP – OFF

O6

√All IDPs deassigned from BFS

GPC MODE 5 – STBY (tb-RUN)

(releases payload buses 1,2)

then HALT (tb-bp)

OUTPUT 4 – TERM (tb-bp)

5 – NORM (tb-bp)

P/I Locker

Unstow and install GPC Mode Switch Guard

C2

5. **MEDS RECONFIG**

GPC/CRT 03 EXEC

44 EXEC

IDP/CRT3 PWR – OFF

ET	1: GNC 51 OVERRIDE	2: GNC DEORB MNVR COAST	3: BFS, GNC DEORB MNVR COAST
00:30			
TRANS DAP			
AUTO			
RT 0.5			
DB 3.5			
00:35			
P	<u>CLOTHING CONFIG</u> [9], 2-6		
MS,PS	<u>CLOTHING CONFIG</u> [10], 2-15		
00:40			
C	If reqd, <u>PAYLOAD REACT (PL OPS, DEORB PREP)</u> or <u>PAYLOAD REACTIVATION (SODF: ASSY OPS: DEORBIT PREP)</u>		
(A1) B1			
AUTO/PRI	<u>DPS CONFIG TO GNC2/SM</u> [11], 2-6 and 2-7		
RT 0.5			
DB 3.0			
00:45			
P	<u>RAD VERIF & FLASH EVAP CONFIG</u> [12]		
MS	<u>RMS PNL LT, TEMP MON, HTR ACT, OBSS,</u> <u>C/W</u> [13], 2-16		
C	<u>KU-BD ANT DEPLOY</u> , if reqd (ORB OPS, <u>COMM/INST</u>) <u>KU-BD ACTIVATION</u> , if reqd (ORB OPS, <u>COMM/INST</u>)		
00:50			
MS	<u>MIDDECK CONFIG</u> [14], 2-17 and 2-18		
C,P	If MCC GO for use of verniers: <u>CONFIG RJDs</u> O16:F RJD MANF L5/F5/R5 DRIVER – ON, wait 5 sec DAP: A/AUTO/VERN Else, load DAP A5 (Nose and Tail) or A6 (Tail) <u>GNC 20 DAP CONFIG</u> ITEM 10 +0.1 EXEC 11 +1 0 EXEC 22 +1 EXEC DAP: A/AUTO/ALT		
00:55			
A1 (B1)			
AUTO			
VERN			
RT 0.2			
DB 1.0			
01:00			

6. TFL/DFL FOR ON-ORBIT OPS
 √MCC for TFL/DFL config
 Perform LOAD PCMMU FORMAT (ORB OPS FS, COMM/INST) and LOAD PDI DECOM FORMAT (ORB OPS FS, COMM/INST)

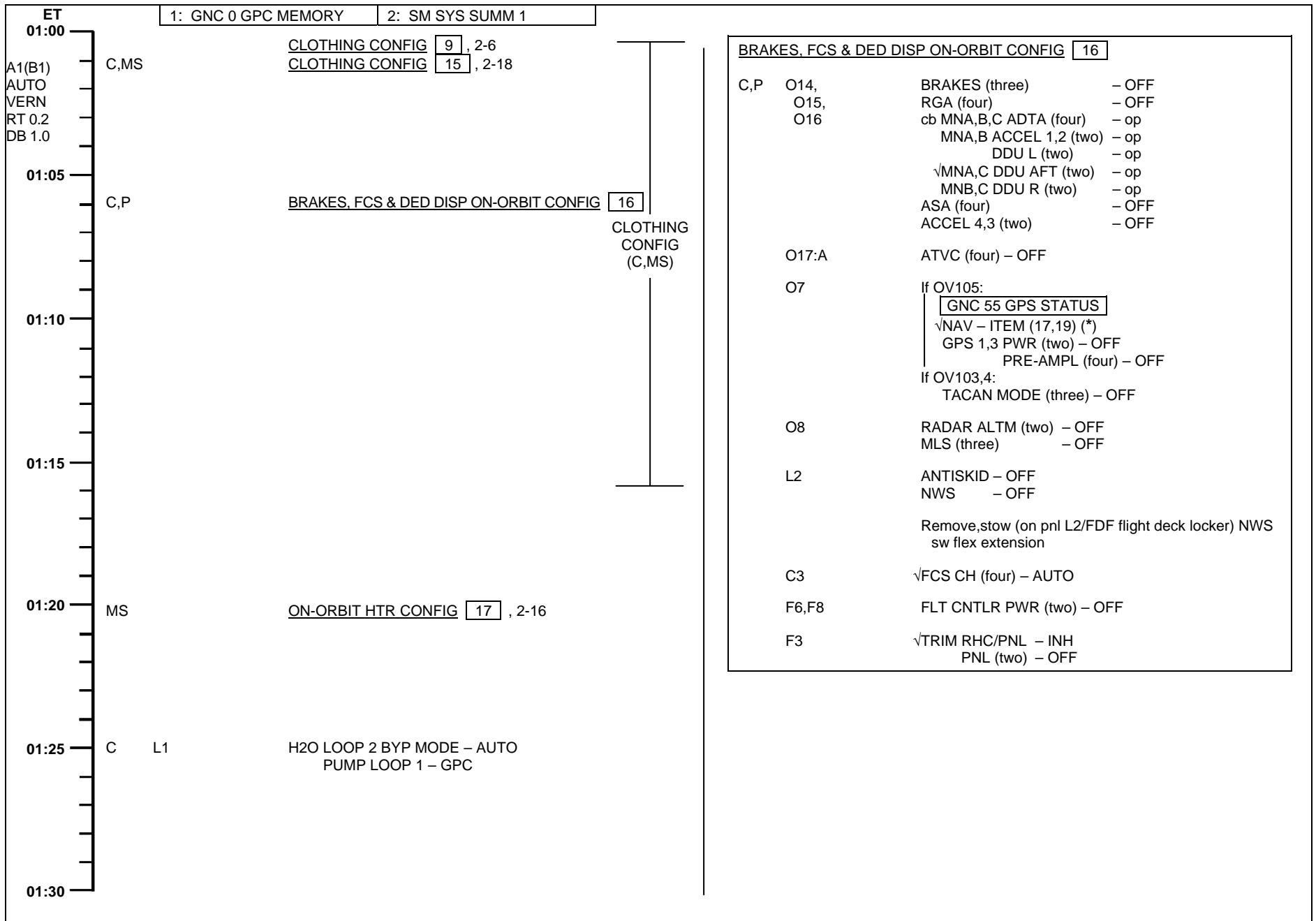
7. ERROR LOG RESET
 After MCC GO:
SM 0 GPC MEMORY
 ERR LOG RESET – ITEM 48 EXEC
GNC 0 GPC MEMORY
 ERR LOG RESET – ITEM 48 EXEC

RAD VERIF & FLASH EVAP CONFIG [12]

L1 √RAD BYP VLV tb (two) – RAD FLOW
 CRT2 When FREON LOOP RAD OUT T < 60 degF:
 L1 HI LOAD EVAP – OFF
 FLASH EVAP CNTLR PRI B(A) – OFF
 L2 FREON ISOL MODE – AUTO
2: SM SYS SUMM 1

CLOTHING CONFIG (P,MS,PS)

This Page Intentionally Blank



This Page Intentionally Blank

ET		1: GNC 0 GPC MEMORY	2: SM SYS SUMM
01:30	C	<u>AUTO MNVR -ZLV, -XVV</u> √TGT ID +2 BODY VECT +3 OM +0 DAP: A/AUTO/VERN Initiate TRK	
01:35			
01:40	C,MS P	<u>ON-ORBIT PCS2(1) CONFIG</u> <input type="checkbox"/> 19, 2-18 <u>STAR TRKR ACT</u> <input type="checkbox"/> 20	
	MS,PS	<u>SPECIALIST SEAT REMOVAL/STOWAGE</u>	
01:45	P R2	<u>HYD THERM COND ENA</u> HYD CIRC PUMP (three) – GPC	
01:50	MS	<u>AIRLOCK SETUP FOR INGRESS</u> <input type="checkbox"/> 21, 2-18	
01:55			
02:00		On MCC call: PRIORITY PWRDN GROUP C, if reqd (ORB PKT, <u>PRIORITY PWRDN</u>) Continue per MCC direction	

<u>STAR TRKR ACT</u> <input type="checkbox"/> 20	
O14:E, O15:E	cb STAR TRKR -Z,-Y (two) – cl
O6	STAR TRKR PWR (two) – ON
C2	GNC I/O RESET
O6	STAR TRKR DR CNTL SYS (two) – OP (start timer) √POS tb (two) – bp When both tb – OP (~8-24 sec) <u>or either tb – bp > 24 sec:</u> STAR TRKR DR CNTL SYS (two) – OFF
	<input type="checkbox"/> X: GNC 22 S TRK/COAS CNTL
	S TRK -Y,-Z: STAR TRK – ITEM 3,4 (*)
	<input type="checkbox"/> X: GNC 21 IMU ALIGN
	RESUME
	* If tb – bp > 8 sec, notify MCC *

This Page Intentionally Blank

PLBD OPENING

DETAILED PLBD OPENING PROCEDURES 5

CAUTION

Use MANUAL mode for subsequent BFS PLBD ops if BFS AUTO sequence has been interrupted by reversing latch/door drive direction or if MANUAL mode has already been used during mission

- | | |
|------|--|
| R13L | <ul style="list-style-type: none"> * If no motion determined visually or 'OP/CL' * * not blank within 10 sec after cmd: * * PL BAY DR – STOP * * Go to MAL, <u>MECH</u>, 9.1a * * If Latch not 'OP' in single-motor time: * * PL BAY DR – STOP * * Go to MAL, <u>MECH</u>, 9.1d * * If door motion stops and not 'OP': * * PL BAY DR – STOP * * Go to MAL, <u>MECH</u>, 9.1f * |
| O6 | <ul style="list-style-type: none"> * If BFS GPC fails during operation: * * PL BAY DR SYS (two) – DSBL * * DR – STOP * * MDM PL1,2 (two) – OFF * * GPC MODE 5 – STBY, HALT * * MDM PL1,2 (two) – ON * * Proceed with DPS CONFIG TO GNC2/SM 11, then * * continue in MANUAL PLBD OPENING PROCEDURE, * * as reqd * |
| R13L | <ul style="list-style-type: none"> * If SM GPC fails during this operation: * * PL BAY DR SYS (two) – DSBL * * DR – STOP * * Go to PASS SM GPC FAIL (ORB PKT, <u>DPS</u>) * |

NOTE

Note any single-motor ops (continue ops)
(single-motor times = 2x listed dual-motor times)

AUTO PLBD OPENING PROCEDURE

- | | |
|----------------------|--|
| MS
CCTX | <ol style="list-style-type: none"> 1. SM, OPS 202 PRO or BFS, SM 63 PL BAY DOORS
X: SM PL BAY DOORS |
| R13L
CCTX | <ul style="list-style-type: none"> √PL BAY DR – STOP √PBD SW – STOP √MAN SEL (ten) – (no *) √PBD SW BYPASS – (no *) |
| R13L
CCTX | <ol style="list-style-type: none"> 2. AC POWER ON – ITEM 1 EXEC (*) √AUTO MODE SEL – (no *) |
| R13L
CCTX | <ol style="list-style-type: none"> 3. PL BAY DR SYS (two) – ENA √OP/CL STATUS (ten) – CL √AOS |
| R13L
CCTX
R13L | <p><u>OPEN C/L LATCHES 5-8 (MANUAL MODE)</u></p> <ol style="list-style-type: none"> 4. Select CENTER LATCHES 5-8 – ITEM 4 EXEC (*) |
| R13L
CCTX
R13L | <ol style="list-style-type: none"> 5. PL BAY DR – OP √CENTER LATCHES 5-8 – blank, OP (~20 sec) |
| R13L | <ol style="list-style-type: none"> 6. PL BAY DR – STOP |

OPEN REMAINING LATCHES/DOORS (AUTO MODE)

- | | |
|--------------|---|
| R13L
CCTX | <ol style="list-style-type: none"> 7. AUTO MODE SEL – ITEM 3 EXEC (*) 8. PL BAY DR – OP |
| R13L | <ul style="list-style-type: none"> √CENTER LATCHES 9-12 – blank, OP (~20 sec) √CENTER LATCHES 1-4,13-16 (two) – blank, OP (~20 sec) √STBD FWD,AFT LATCHES (two) – blank, OP (~30 sec) √DOOR – RDY, blank, OP (~63 sec) √PORT FWD,AFT LATCHES (two) – blank, OP (~30 sec) √DOOR – RDY, blank, OP (~63 sec) |
| R13L | <ol style="list-style-type: none"> 9. PL BAY DR – STOP |
| CCTX | <p><u>POST-PLBD OPENING CLEANUP</u></p> <ol style="list-style-type: none"> 10. PL BAY DR SYS (two) – DSBL √OP/CL STATUS (ten) – OP |
| A7U | <ol style="list-style-type: none"> 11. AC POWER OFF – ITEM 2 EXEC (*) 12. SM, OPS 201 PRO (if PASS SM)
X: SM ANTENNA 13. After floodlights ON > 10 min:
PL BAY FLOOD (all) – OFF |

MANUAL PLBD OPENING PROCEDURE

- | | |
|------------------------------|--|
| MS
CCTX | <ol style="list-style-type: none"> 1. SM, OPS 202 PRO or BFS, SM 63 PL BAY DOORS
X: SM PL BAY DOORS |
| R13L
CCTX | <ul style="list-style-type: none"> √PL BAY DR – STOP √PBD SW – STOP √MAN SEL (ten) – (no *) √PBD SW BYPASS – (no *) |
| R13L
CCTX | <ol style="list-style-type: none"> 2. AC POWER ON – ITEM 1 EXEC (*) √AUTO MODE SEL – (no *) |
| R13L
CCTX | <ol style="list-style-type: none"> 3. PL BAY DR SYS (two) – ENA √OP/CL STATUS (ten) – CL √AOS |
| R13L
CCTX
R13L
CCTX | <p><u>OPEN C/L LATCHES</u></p> <ol style="list-style-type: none"> 4. Select CENTER LATCHES 5-8 – ITEM 4 EXEC (*) |
| R13L
CCTX
R13L
CCTX | <ol style="list-style-type: none"> 5. PL BAY DR – OP √CENTER LATCHES 5-8 – blank, OP (~20 sec) |
| R13L
CCTX
R13L
CCTX | <ol style="list-style-type: none"> 6. PL BAY DR – STOP 7. Deselect CENTER LATCHES 5-8 – ITEM 4 EXEC (no *) 8. Select CENTER LATCHES 9-12 – ITEM 5 EXEC (*) |
| R13L
CCTX
R13L
CCTX | <ol style="list-style-type: none"> 9. PL BAY DR – OP √CENTER LATCHES 9-12 – blank, OP (~20 sec) |
| R13L
CCTX
R13L
CCTX | <ol style="list-style-type: none"> 10. PL BAY DR – STOP 11. Deselect CENTER LATCHES 9-12 – ITEM 5 EXEC (no *) 12. Select CENTER LATCHES 1-4,13-16 – ITEM 6,7 EXEC (*) |
| R13L
CCTX
R13L
CCTX | <ol style="list-style-type: none"> 13. PL BAY DR – OP CENTER LATCHES 1-4,13-16 (two) – blank, OP (~20 sec) |
| R13L
CCTX | <ol style="list-style-type: none"> 14. PL BAY DR – STOP 15. Deselect CENTER LATCHES 1-4,13-16 – ITEM 6,7 EXEC (no *) |

PLBD OPENING (Cont)

- R13L 16. OPEN STBD FWD,AFT LATCHES & DOOR
 CRTX 17. Select STBD FWD,AFT LATCHES – ITEM 8,9 EXEC (*)
 R13L 17. PL BAY DR – OP
 CRTX √STBD FWD,AFT LATCHES (two) – blank, OP (~30 sec)
 R13L 18. PL BAY DR – STOP
 CRTX 19. Deselect STBD FWD,AFT LATCHES – ITEM 8,9 EXEC (*)
 R13L 20. Select STBD DOOR – ITEM 10 EXEC (*)
 CRTX 21. PL BAY DR – OP
 R13L √STBD DOOR – RDY, blank, OP (~63 sec)
 CRTX 22. PL BAY DR – STOP
 R13L 23. Deselect STBD DOOR – ITEM 10 EXEC (*)
 CRTX
- R13L 24. OPEN PORT FWD,AFT LATCHES & DOOR
 CRTX 24. Select PORT FWD,AFT LATCHES – ITEM 11,12 EXEC (*)
 R13L 25. PL BAY DR – OP
 CRTX √PORT FWD,AFT LATCHES (two) – blank, OP (~30 sec)
 R13L 26. PL BAY DR – STOP
 CRTX 27. Deselect PORT FWD,AFT LATCHES – ITEM 11,12 EXEC (no *)
 R13L 28. Select PORT DOOR – ITEM 13 EXEC (*)
 CRTX 29. PL BAY DR – OP
 R13L √PORT DOOR – RDY, blank, OP (~63 sec)
 CRTX 30. PL BAY DR – STOP
 R13L 31. Deselect PORT DOOR – ITEM 13 EXEC (no *)
 CRTX

- R13L 32. POST-PLBD OPENING CLEANUP
 CRTX 32. PL BAY DR SYS (two) – DSBL
 √OP/CL STATUS (ten) – OP
 33. AC POWER OFF – ITEM 2 EXEC (*)
 34. SM, OPS 201 PRO (if PASS SM)
 X: SM ANTENNA
 A7U 35. After floodlights ON > 10 min:
 PL BAY FLOOD (all) – OFF

FUNCTION	PLBD CONTROL								PLBD DISPLAY PL MDM									
	Ref: MA73C:C&D for MCA cbs																	
	MTR 1				MTR 2				C	C	O	O	C	R	R	R	O	
	AC/ MCA	CNTL	MDM	SYS	AC/ MCA	CNTL	MDM	SYS	A	B	A	B	A	B	C			
LATCH																		
5-8	1/MID3	AB3/AB2	PL1	2	3/MID2	CA3/CA1	PL2	1	1	2	1	2						
9-12	1/MID1	AB3/AB1	PL1	1	3/MID4	CA3/CA2	PL2	2	1	2	1	2						
1-4	1/MID3	AB3/AB2	PL1	2	3/MID2	CA3/CA1	PL2	1	1	2	1	2						
13-16	3/MID4	CA3/CA2	PL2	2	2/MID2	BC3/BC1	PL1	1	2	1	2	1						
S FWD	1/MID1	AB3/AB1	PL1	1	2/MID4	BC3/BC2	PL2	2	1	2	1	2						
S AFT	3/MID4	CA3/CA2	PL2	2	2/MID2	BC3/BC1	PL1	1	2	1	2	1						
S DOOR	1/MID1	AB3/AB1	PL1	1	2/MID4	BC3/BC2	PL2	2					1	1	2	2	1	
														2	1	2	2	2
P FWD	1/MID1	AB3/AB1	PL1	1	2/MID4	BC3/BC2	PL2	2	1	2	1	2						
P AFT	1/MID3	AB3/AB2	PL1	2	3/MID2	CA3/CA1	PL2	1	1	2	1	2						
P DOOR	3/MID4	CA3/CA2	PL2	2	2/MID2	BC3/BC1	PL1	1					2	1	1	2	2	
														1	1	1	2	1

MS AFT DECK BACKOUT ACTIVITIES

NOTE

WAIT FOR GO FROM CDR OR PLT BEFORE STARTING ANY ACTIVITY ON THIS PAGE

TIME (ET)	MS AFT ACTIONS
00:01	C6 LEH O2 vlv (four) – CL
00:02	<u>CONFIG FOR PLBD OPENING</u> [1]
00:20	<u>SPECIALIST SEAT EGRESS</u>
00:30	<u>FDF/COMM CONFIG</u> [8]
00:38	<u>CLOTHING CONFIG</u> [10]
00:40	If reqd, PAYLOAD REACT (PL OPS, <u>DEORBIT PREP</u>) or PAYLOAD REACTIVATION (SODF: ASSY OPS: <u>DEORBIT PREP</u>)
00:47	<u>RMS PNL LT, TEMP MON, HTR ACT, OBSS, C/W</u> [13], 2-16
01:20	<u>ON-ORBIT HTR CONFIG</u> [17], 2-16
01:42	<u>SPECIALIST SEAT REMOVAL/STOWAGE</u>

FDF/COMM CONFIG	[8]
	<u>COMM CONFIG</u> Unstow: Headsets, Handheld Mics and/or Wireless Comm if flown If WCCS, perform STD WCCS CONFIG (ORB OPS, <u>COMM/INST</u>) or see <u>WCCS COMM PLAN</u> (Cue Card) If flight deck Handheld Mic/speaker operation:
R10	MS AUD PWR – AUD/TONE A/G 1 – T/R, tw-2 A/G 2 – RCV, tw-2 A/A – RCV, tw-2 ICOM A – T/R, tw-2 ICOM B – RCV, tw-2 XMIT/ICOM MODE – PTT/PTT
A13	OS AUD SPKR PWR – SPKR/MIC MSTR SPKR VOL – 8
A11	MS COMM CCU PWR – OFF Connect Handheld Mic to CCU MS COMM CCU PWR – ON
R6,L5	CCU PWR – OFF
A1L	S-BD PM MODE – TDRS DATA NSP CODING (two) – ON OCA SETUP (ORB OPS, <u>PGSC</u>) A/G 2 MODE OCA S-BAND MODEM (MFx) ACTIVATION (ORB OPS, <u>PGSC</u>) COLOR PRINTER UNSTOW AND ASSEMBLE (ORB OPS, <u>PGSC</u>)
O19	TV PWR – OFF
L10 (VTR)	ON/STANDBY – PRESS (red LED on)
(VIP)	PWR – OFF (LED off)
(MUX)	VTR/CC PWR – OFF (LED off)
	<u>FDF CONFIG</u> Stow: ENT ENT PKT ENT Cue Cards Unstow (if reqd): Deploy Orbit Cue Cards

<u>CONFIG FOR PLBD OPENING</u> [1]	
	<u>4: BFS, SM 63 PL BAY DOORS</u>
A6U	<u>SET UP LIGHTS</u> ANNUN BUS SEL – MNC
	<u>NOTE</u> Minimum operating time for PLB Floodlights: 10 min. Lights must be off for minimum of 10 min UNBLOCKED, 16 min BLOCKED prior to reuse. ~3 min to full bright
A7U	PL BAY FLOOD AFT STBD – <input type="checkbox"/> PORT – <input type="checkbox"/> MID STBD – <input type="checkbox"/> PORT – <input type="checkbox"/> FWD STBD – <input type="checkbox"/> PORT – <input type="checkbox"/> BHD – <input type="checkbox"/>
	Record MET ____ / ____ : ____ : ____
	* If PLB Floodlight not ON to full bright within 5 min: * * (Aff) PL BAY FLOOD – OFF *
A8L	<u>CONFIG STBD RMS/OBSS</u> STBD RMS HTR (two) – AUTO
R12 (OPP)	cb OBSS SW PWR CB1 – cl
(OBSS)	OBSS SW PWR – ON RSC PWR – ON

ON
ON
OFF
OFF
ON
ON
ON

<u>CLOTHING CONFIG</u>	[10]
Doff/stow:	Harness, Boots, ACES, UCD (if not used)
Remove radiation dosimeter from ACES and insert in inflight garments	
Doff, stow in Wet Trash (if used):	UCD (clamp) Emesis Bag (unstow new bag)

P & I

(Cont next page)

Back of MS AFT DECK BACKOUT ACTIVITIES

RMS PNL LTS, TEMP MON, HTR ACT, C/W 13

MA73C:F RMS PNL LTS, TEMP MON, HTR ACT (if RMS on board)
 A8L cb RMS PRI Φ A – cl
 RMS PWR – PRI (MA tone)
 SM 94 PDRS CONTROL (MA, GPC DATA It on)
 I/O ON – ITEM 5 EXEC (*)
 A8U SAFING – CANCEL (tb-bp) (\sqrt GPC DATA It off)
 A8L PORT RMS HTR A – AUTO

C/W

R13U		
PARAMETER NAME	C/W CH	ENA/INH
MPS He REG P C	39	INH
L	49	INH
R	59	INH
HYD P 1	99	INH
2	109	INH
3	119	INH

ON-ORBIT HTR CONFIG 17

R2 BLR PWR (three) – OFF
 R4 HYD BK HTR (three) – OFF
 L1 \sqrt HI LOAD EVAP – OFF
 DUCT HTR sel – OFF
 A12 HYD HTR RUD SPD BK B – AUTO
 \sqrt A – OFF
 BDY FLP B – AUTO
 \sqrt A – OFF
 ELEV B – AUTO
 \sqrt A – OFF
 AFT FUS B – AUTO
 \sqrt A – OFF
 A14 RCS/OMS HTR FWD RCS – B AUTO
 \sqrt L POD – A OFF
 L POD – B AUTO
 \sqrt R POD – A OFF
 R POD – B AUTO
 OMS CRSFD LINES – A OFF
 \sqrt OMS CRSFD LINES – B AUTO
 R14:C cb KU ANT HTR – cl
 :D Close left to right all cbs
 :E Close left to right all cbs

Block 4 deleted

Block 18 deleted

MS MIDDECK BACKOUT ACTIVITIES

NOTE

WAIT FOR GO FROM CDR OR PLT BEFORE STARTING ANY ACTIVITY ON THIS PAGE

TIME (ET)	MS MIDDECK ACTIONS
00:20	<u>SPECIALIST SEAT EGRESS</u>
00:21	MO32M LEH O2 vlv (two) – CL MO69M LEH O2 vlv (two) – CL
00:22	<u>PRELIM MIDDECK CONFIG</u> 7
00:40	If reqd, PAYLOAD REACT, (PL OPS, <u>DEORB PREP</u>) or PAYLOAD REACTIVATION (SODF: ASSY OPS: DEORBIT PREP)
00:52	<u>MIDDECK CONFIG</u> 14
01:00	<u>CLOTHING CONFIG</u> 15 , 2-18
01:40	<u>ON-ORBIT PCS 2(1) CONFIG</u> 19 , 2-18
01:42	<u>SPECIALIST SEAT REMOVAL/STOWAGE</u>
01:50	<u>AIRLOCK SETUP FOR INGRESS</u> 21 , 2-18

<u>MIDDECK CONFIG</u> 14	
ML86B:A :B	<u>GALLEY ACTIVATION</u> cb MNC SPLY H2O GALLEY SPLY – cl cb MNA GALLEY OVEN – cl cb MNB GALLEY H2O HTR – cl
R11L:G	√SPLY H2O GALLEY SPLY VLV – OP (tb-OP)
GALLEY	H2O HTRS (two) – ON OVEN/RHS – ON
MA73C:G	cb AC3 GALLEY FAN (three) – cl Unstow,install Personal Hygiene Hose
WCS	<u>WCS ACTIVATION</u> <u>VAC VLV – OP</u> Unstow Urinal Hose from Velcro strap, install hose in cradle √MODE – AUTO √CRADLE – AUTO FAN SEP SEL sw – 1 Unstow hose from cradle (√airflow) √WCS ON It – ON Stow hose in cradle √WCS ON It – OFF Unstow,install: WCS Trash Can Mirror Urine Collection Cue Card Foot/Toe Restraint – down,locked (Cont next page)

<u>PRELIM MIDDECK CONFIG</u> 7	
	<u>INSTALL FILTERS</u> Unstow,install: Side Hatch UV Filter and Locking Device Pyro Box Safing Pin
	<u>COMM CONFIG</u> Unstow: Headsets,Handheld Mics and/or Wireless Comm if flown (see <u>WCCS COMM PLAN</u> (Cue Card)) If WCCS perform STD WCCS CONFIG (ORB OPS, <u>COMM/INST</u>) or see <u>WCCS COMM PLAN</u> (Cue Card) If middeck Handheld Mic/speaker operation:
MO42F	MIDDECK SPKR AUD SPKR PWR – SPKR/MIC A/G 1 – T/R, tw-2 A/G 2 – RCV, tw-2 A/A – RCV, tw-2 ICOM A – T/R, tw-2 ICOM B – RCV, tw-2 XMIT/ICOM MODE – PTT/PTT MSTR SPKR VOL – 8
MO39M	MIDDECK COMM CCU PWR – OFF Connect Handheld Mic to CCU MIDDECK COMM CCU PWR – ON
ML31C	<u>HTR CONFIG</u> VAC VENT ISOL VLV BUS SEL – MNA NOZ HTR – ON ISOL VLV CNTL – OP (tb-OP) * If VAC VENT ISOL VLV CNTL tb – CL or bp: * * VAC VENT ISOL VLV BUS SEL – MNB * * CNTL – OP (tb-OP) * * If VAC VENT ISOL VLV CNTL tb still CL or bp: * * √MCC for further actions *

Back of MS MIDDECK BACKOUT ACTIVITIES

If PRIORITY PWRDN GROUP C not reqd:

PGSC ACTIVATION

(backup PGSC) PGSC ACTIVATION (ORB OPS, PGSC)

POLE STOWAGE

Remove large Port Pin:

Slide back Safing Latch

Retract and hold Locking Pin (Ring)

Remove large Pin

Release Locking Pin (Ring)

Remove Stbd Pip Pin

Stow Pole

FLOODLIGHT CONFIG

If TNL ADAPT flown:

ML86B:E cb MNA FLOOD TNL ADAPT 2 – cl

 cb MNB FLOOD TNL ADAPT 3 – cl

 cb MNC FLOOD TNL ADAPT 4 – cl

ML86B:F cb MNA FLOODS AIRLK 1 – cl

 MIDDECK 9 – cl

 cb MNB FLOODS MIDDECK 10 – cl

 AIRLK 3 – cl

 cb MNC FLOODS AIRLK 4 – cl

ML86B:G cb ESS 1BC FLOOD AIRLK 2 – cl

If TNL ADAPT flown:

 cb ESS 1BC FLOOD TNL ADAPT 1 – cl

CLOTHING CONFIG 15

Doff/stow:

Harness, Boots, ACES, UCD (if not used)

Remove radiation dosimeter from ACES and insert in inflight garments

Doff, stow in Wet Trash (if used):

UCD (clamp)

Emesis Bag (unstow new bag)

ON-ORBIT PCS 2(1) CONFIG 19

C	L2	√O2 XOVR SYS (two) – OP
		O2/N2 CNTLR VLV SYS 1(2) – CL
		2(1) – AUTO
	O1	O2/N2 FLOW sel – SYS 2(1) O2
	C7	√LEH O2 SPLY vlv (two) – OP
		Expect possible 'S66 CAB O2(N2) FLO 2(1)' msg
MS	MO10W	14.7 CAB REG INLET SYS 2(1) vlv – OP
		H2O TK N2 REG INLET SYS 1(2) vlv – CL
		O2 REG INLET SYS 2(1) vlv – OP
	MO69M	√LEH O2 8 vlv – CL
		Insert O2 Bleed Orifice Assembly into LEH O2 8 QD
		LEH O2 8 vlv – OP

AIRLOCK SETUP FOR INGRESS 21

INNER	1. Equal vlv caps (two) – remove, stow
HATCH	2. √Equal vlv (two) – NORM
	3. Open hatch per decal
AW18A	4. LTG FLOOD 1(3,4) – ON (as reqd)
MO13Q	5. AIRLK 2 – ON/OFF
	6. √AIRLK H2O S/O vlv – OP (tb-op)
MIDDECK FLR	7. √EMU O2 ISOL vlv – CL
	8. Remove, stow diffuser cap on middeck floor air fitting (mark)
	9. Unstow, install bypass duct to middeck floor fitting
	10. √Airflow at top of external airlock halo
	If Spacehab flown and reingress desired:
	11. Go to SPACEHAB INGRESS AFTER WAVEOFF (SH OPS, <u>ON-ORBIT</u>)
	If orbiter only and Spacehab reingress not desired:
	12. Unstow bypass duct from Tunnel Extension wall and install on middeck floor fitting

AIRLOCK ENTRY SWITCH LIST/VERIFICATION (TIG-3:50)

AIRLOCK

AW18A.....	3-3
AW18D	3-3
AW18H	3-3
AW82B.....	3-3

PARTIAL ENTRY SWITCH LIST/VERIFICATION (TIG-3:10)

LEFT SEAT

F3.....	3-4
F7.....	3-4
L,R HUD	3-4
F2.....	3-5
O7	3-5
O13.....	3-5
L side OVHD flood ...	3-5
F1.....	3-6
F6.....	3-6
L5.....	3-6

RIGHT SEAT

O8.....	3-7
R side OVHD flood ..	3-7
F4.....	3-7
F8.....	3-7
R2	3-8
R6	3-8
O17	3-8

AFT

C5	3-9
C7	3-9
A11	3-9









MIDDECK-FWD

MO58F.....	3-10
MO39M.....	3-10
MO52J.....	3-10
MO30F.....	3-10
MD44F.....	3-10
MD24K.....	3-10
A/L HATCH	3-10
MO63P (OV103,OV104)	3-10
ML86B	3-11

MIDDECK-AFT

MO13Q	3-12
ML18F.....	3-12
ML26C	3-12
ML31C	3-12

LEGEND

 - left	 - right
 - up	R - as reqd
 - center	 - cb close
 - down	 - cb open
 - indicates switch/display not checked during ENT SWITCH LIST/VERIFICATION. Switch/display pictorials are generic representations and are not intended to depict actual switch positions. √MCC if additional clarification reqd	

CIRCUIT BREAKER SNAP RING

COLOR CODES

<u>COLOR</u>	<u>CONFIGURATION</u>
Red	Open at all times
Green	Open on orbit only
Yellow	Open ascent, close per procedure
Orange	Open orbit through entry
Blank (no ring)	Always closed or as reqd

ENT SWITCH LIST/VERIF

FINAL ENTRY SWITCH LIST/VERIFICATION (TIG-1:50)

LEFT SEAT

L4.....	3-13
L1.....	3-14
L2.....	3-15
C2/C3.....	3-16
O1.....	3-17
O5.....	3-17
O6.....	3-18
O14.....	3-19
O15.....	3-19

RIGHT SEAT

O19.....	3-20
O16.....	3-20
O9.....	3-20
R1.....	3-21
R4.....	3-21

AFT









R10.....	3-22
R12U.....	3-22
R11L.....	3-22
R13L.....	3-23
R14.....	3-23
A1L,R.....	3-24
A12.....	3-25
A13.....	3-25
L9.....	3-26
A6L.....	3-27
A7L	
(APDS CNTL PNL) .	3-28
A15.....	3-29

MIDDECK-FWD

MO42F.....	3-30
MO32M.....	3-30
MO69M.....	3-30
MO51F.....	3-30

MIDDECK-AFT

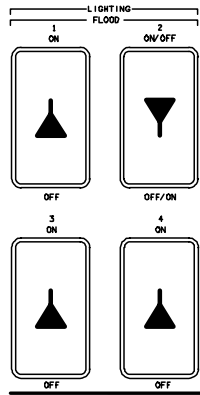
MA73C.....	3-31
MO10W.....	3-32
WCS.....	3-32

<u>LEGEND</u>	
 – left	 – right
 – up	R – as reqd
 – center	 – cb close
 – down	 – cb open
 – indicates switch/display not checked during ENT SWITCH LIST/VERIFICATION. Switch/display pictorials are generic representations and are not intended to depict actual switch positions. √MCC if additional clarification reqd	

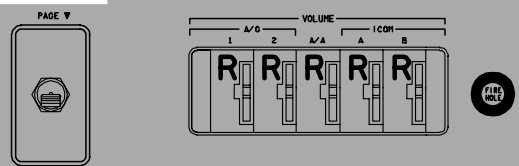
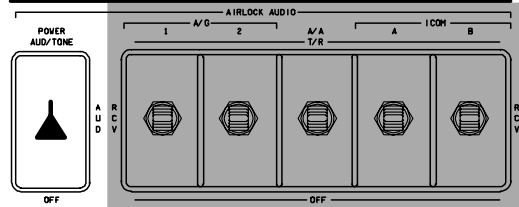
<u>CIRCUIT BREAKER SNAP RING COLOR CODES</u>	
<u>COLOR</u>	<u>CONFIGURATION</u>
Red	Open at all times
Green	Open on orbit only
Yellow	Open ascent, close per procedure
Orange	Open orbit through entry
Blank (no ring)	Always closed or as reqd

OV103

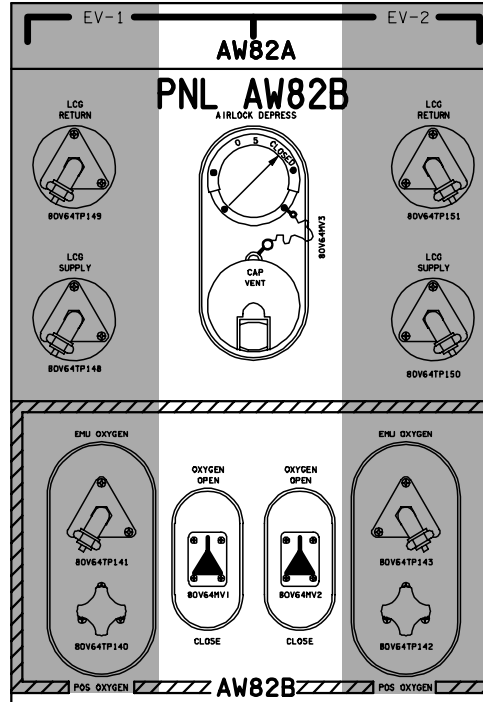
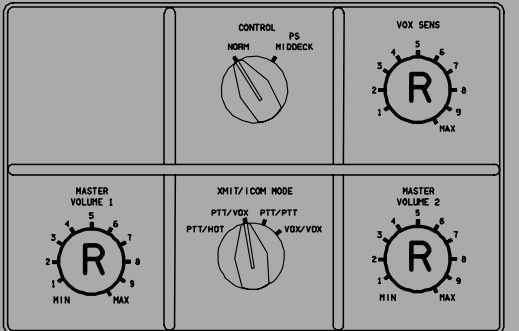
PNL AW18A



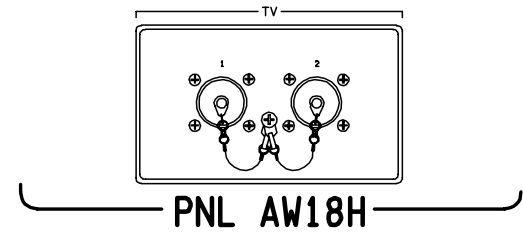
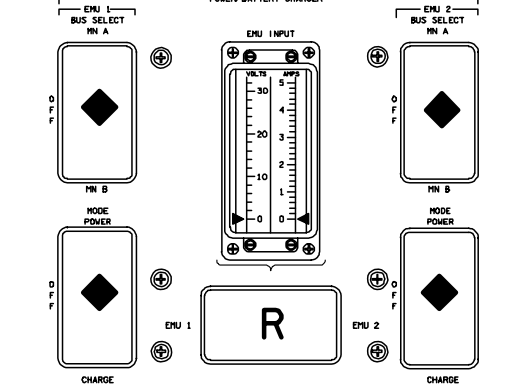
AW18A



PNL AW18D

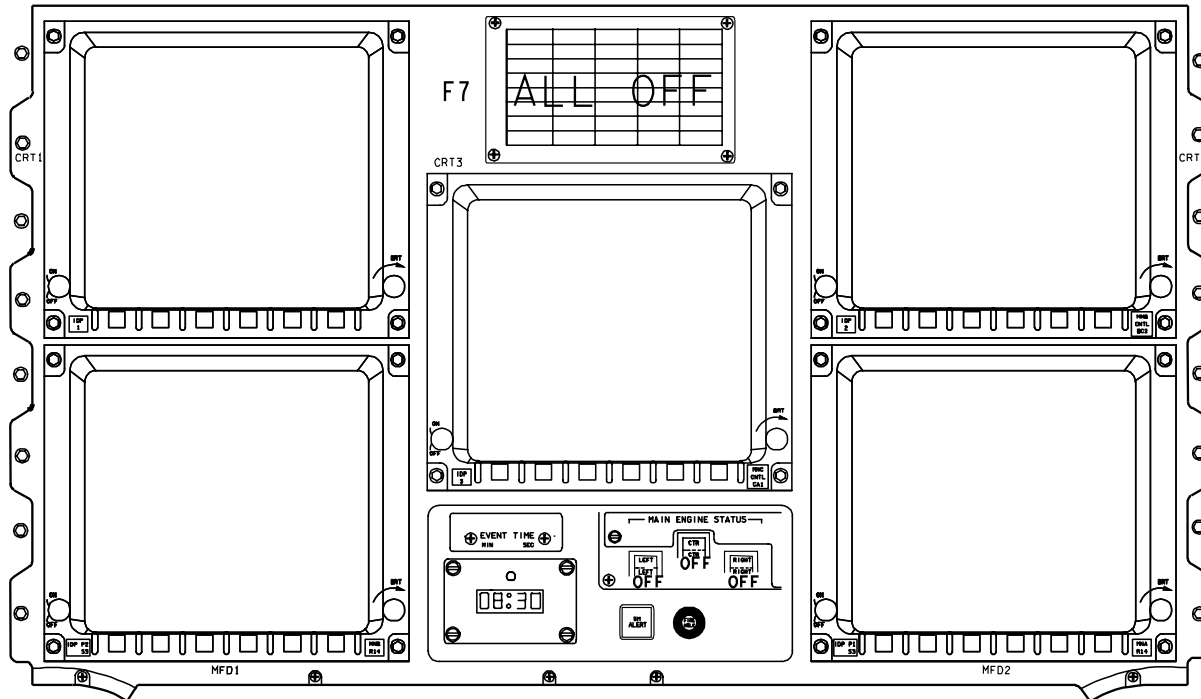
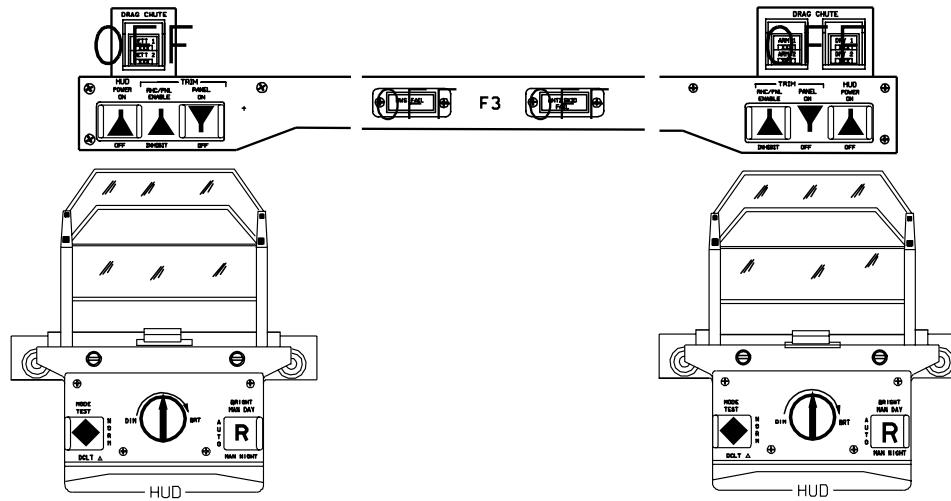


PNL AW18H

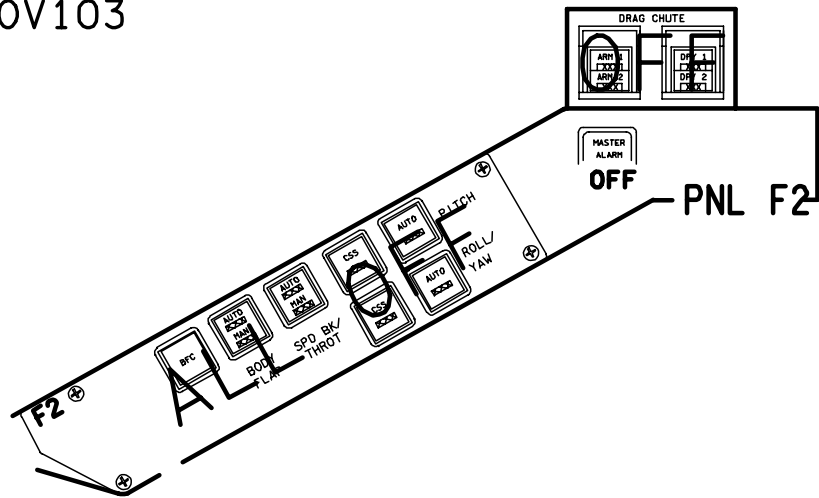


PNL AW18H

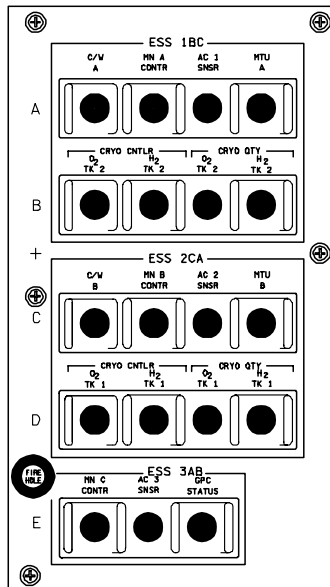
OV103



OV103

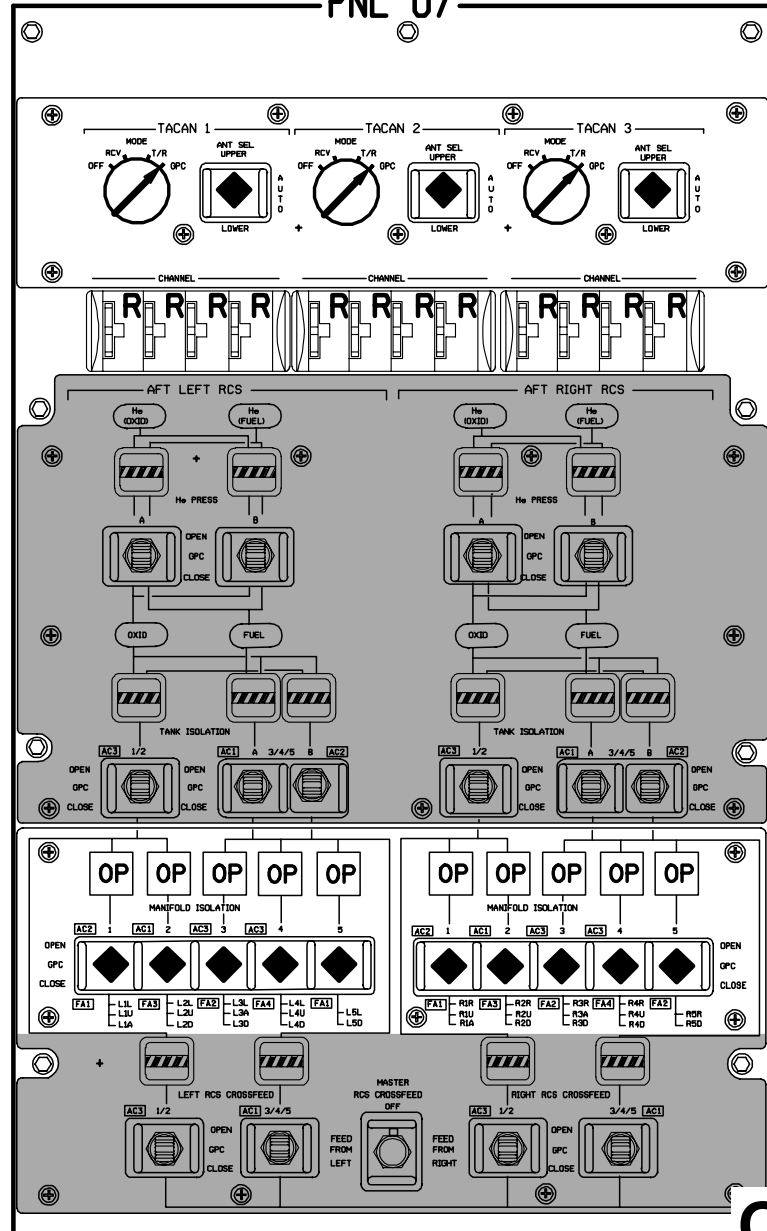


PNL 013

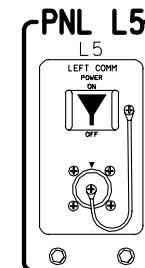
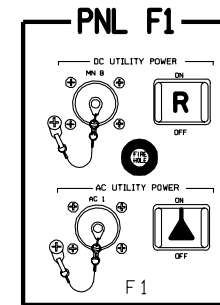
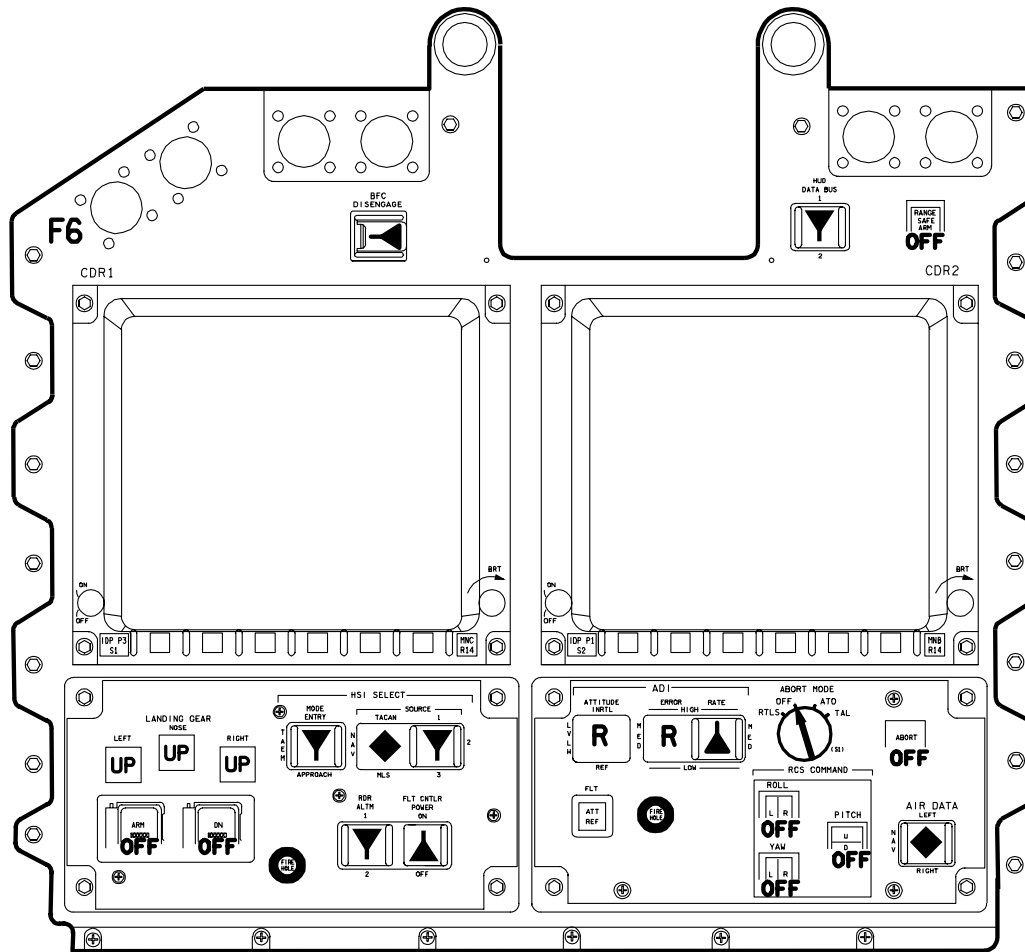


L side OVHD flood - R (MID)

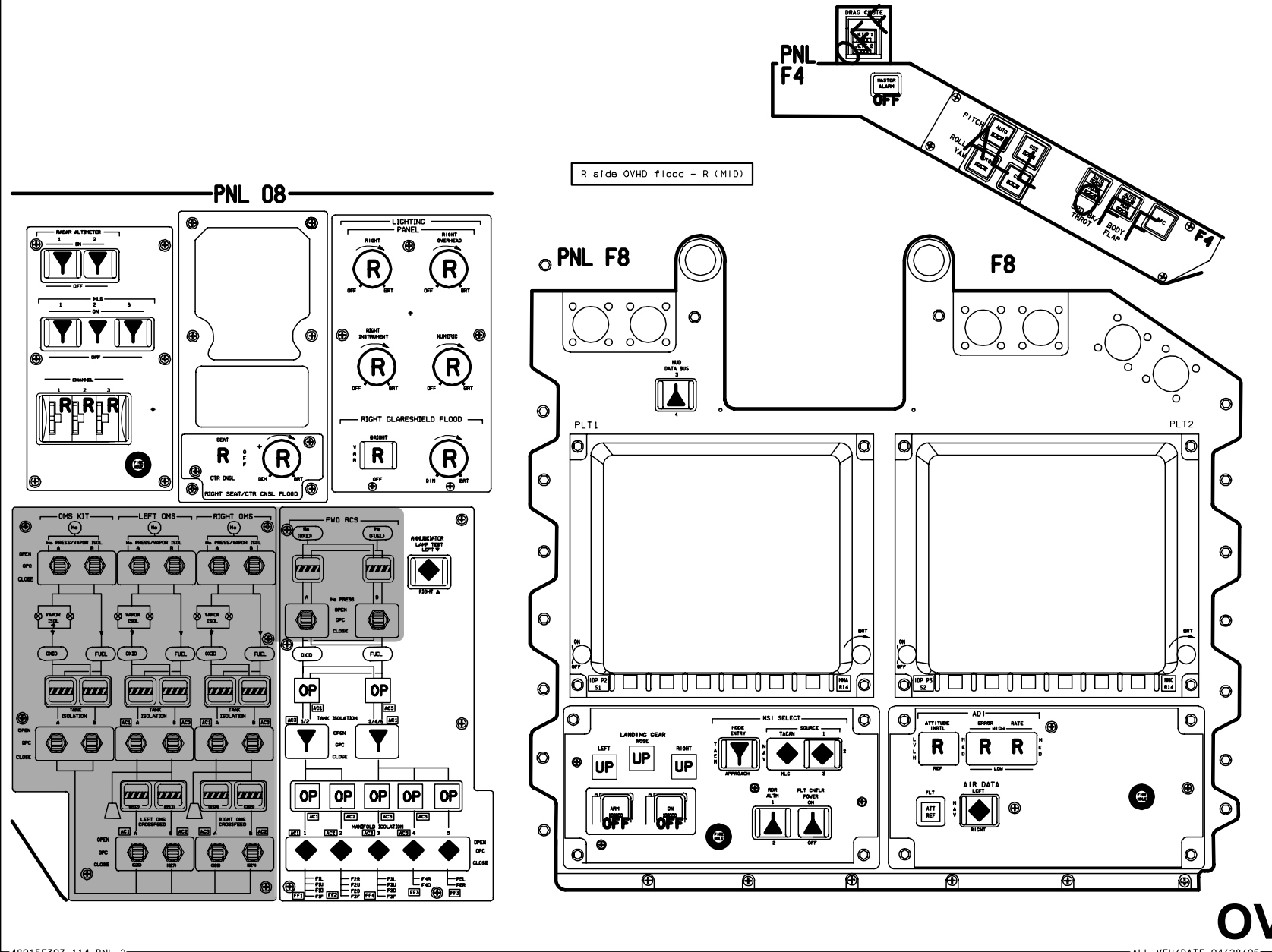
PNL 07



OV103



OV103



R side OVHD flood - R (MID)

48015E307_114. PNL: 2

ALL VEH/DATE 04/28/05

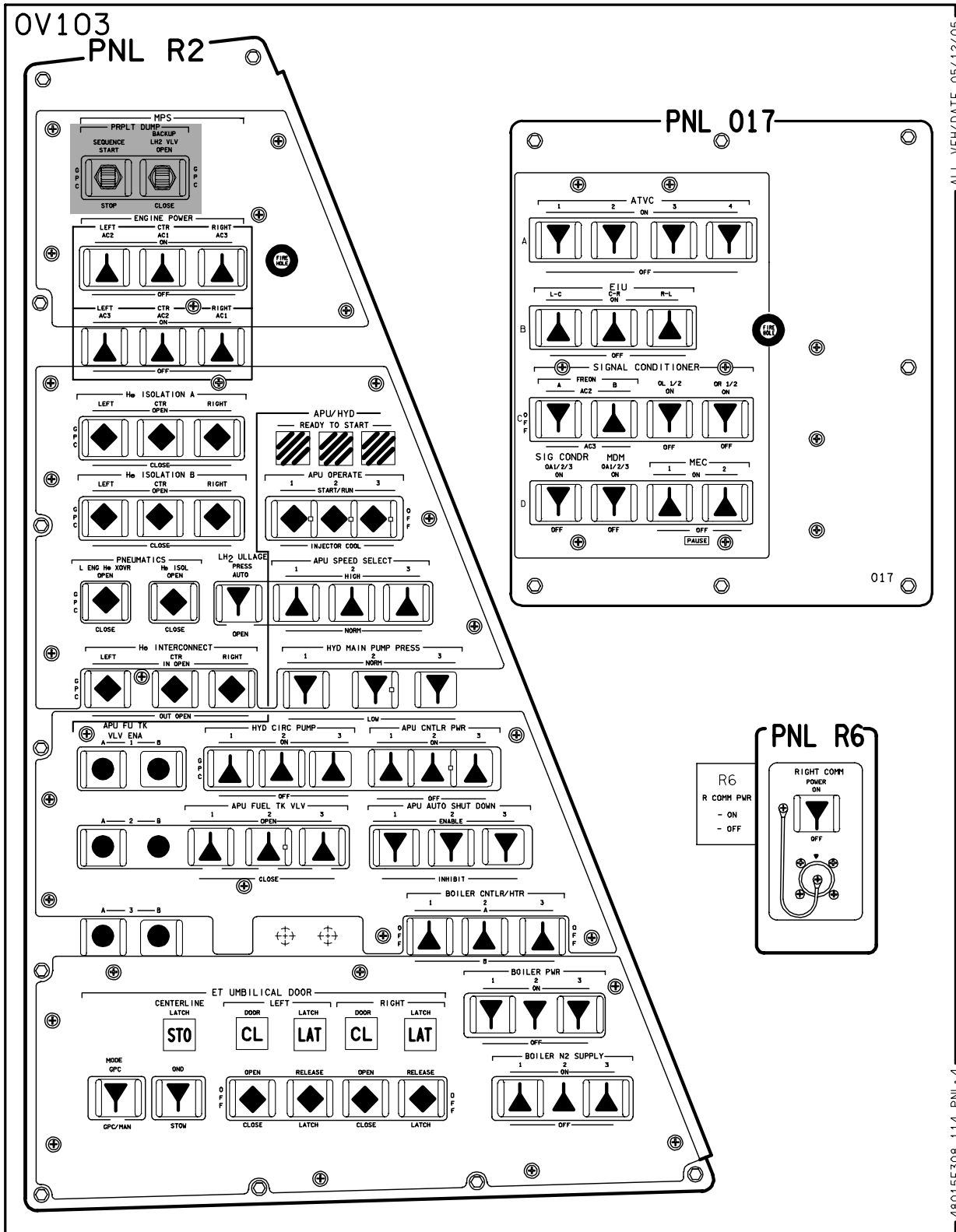
OV103

(OV103) A3-7

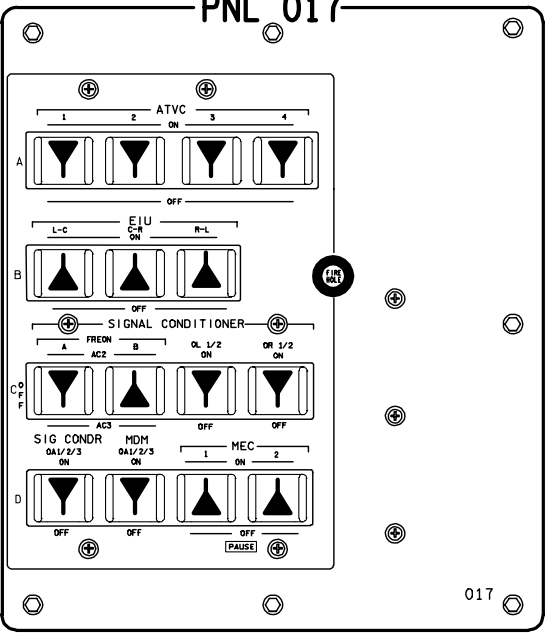
D/O/3/GEN P

OV103

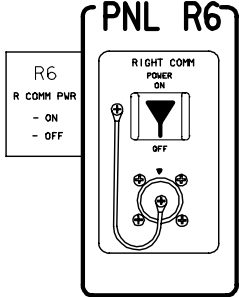
PNL R2



PNL 017



PNL R6

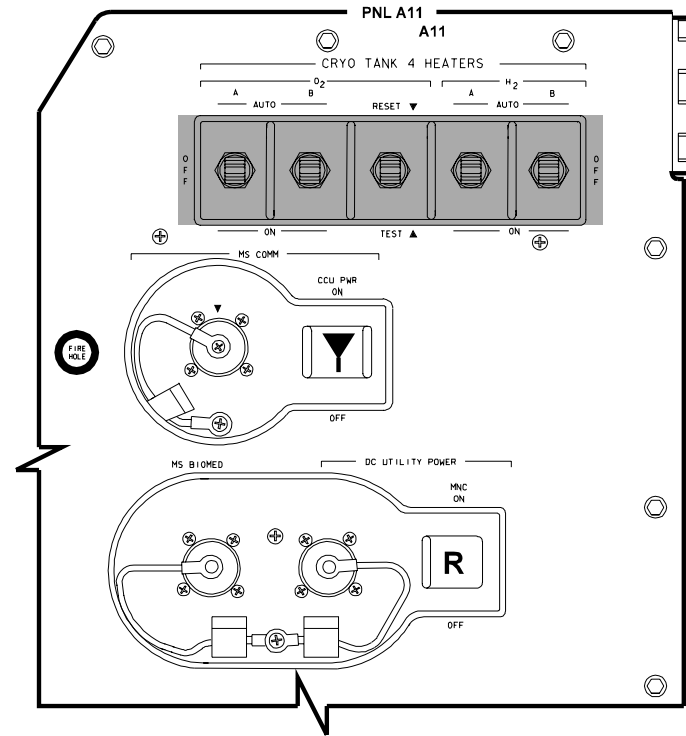
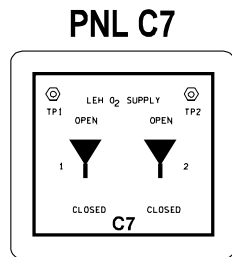
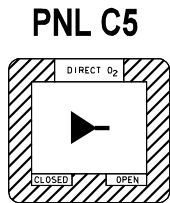


480.15E308_114, PNL R 4 ALL VEH/DATE 05/12/05

OV103

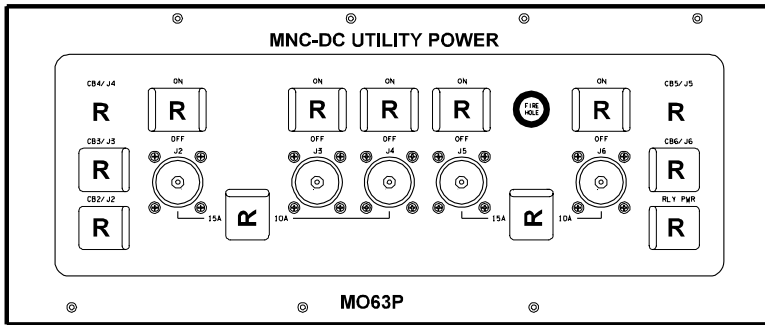
(OV103) A3-8

D/O/ALL/GEN P

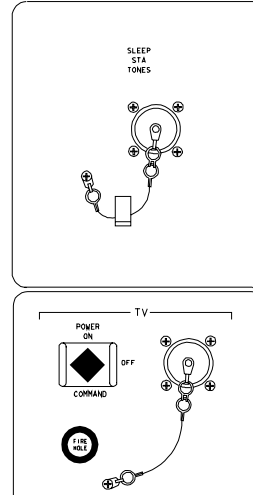


AIRLOCK HATCH

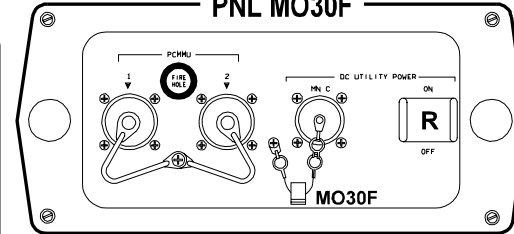
ACTUATOR HANDLE - LATCHED
 LOCK LEVER - LOCKED
 EQUALIZATION VLV (TWO) - NORM
 -CAPS INSTALLED



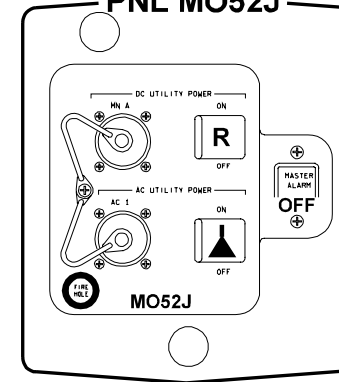
PNL MO58F



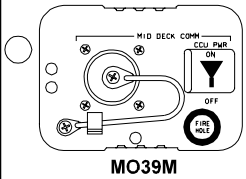
PNL MO30F



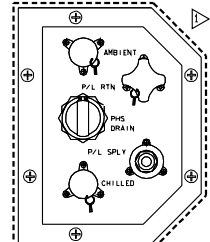
PNL MO52J



PNL MO39M



PNL MD24K

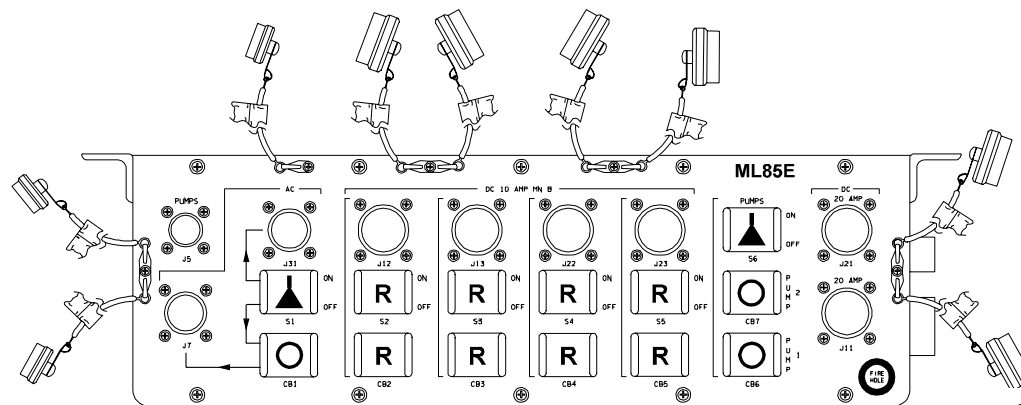


NOTE: NOT VISIBLE IF MAR FLOWN

PNL MD44F

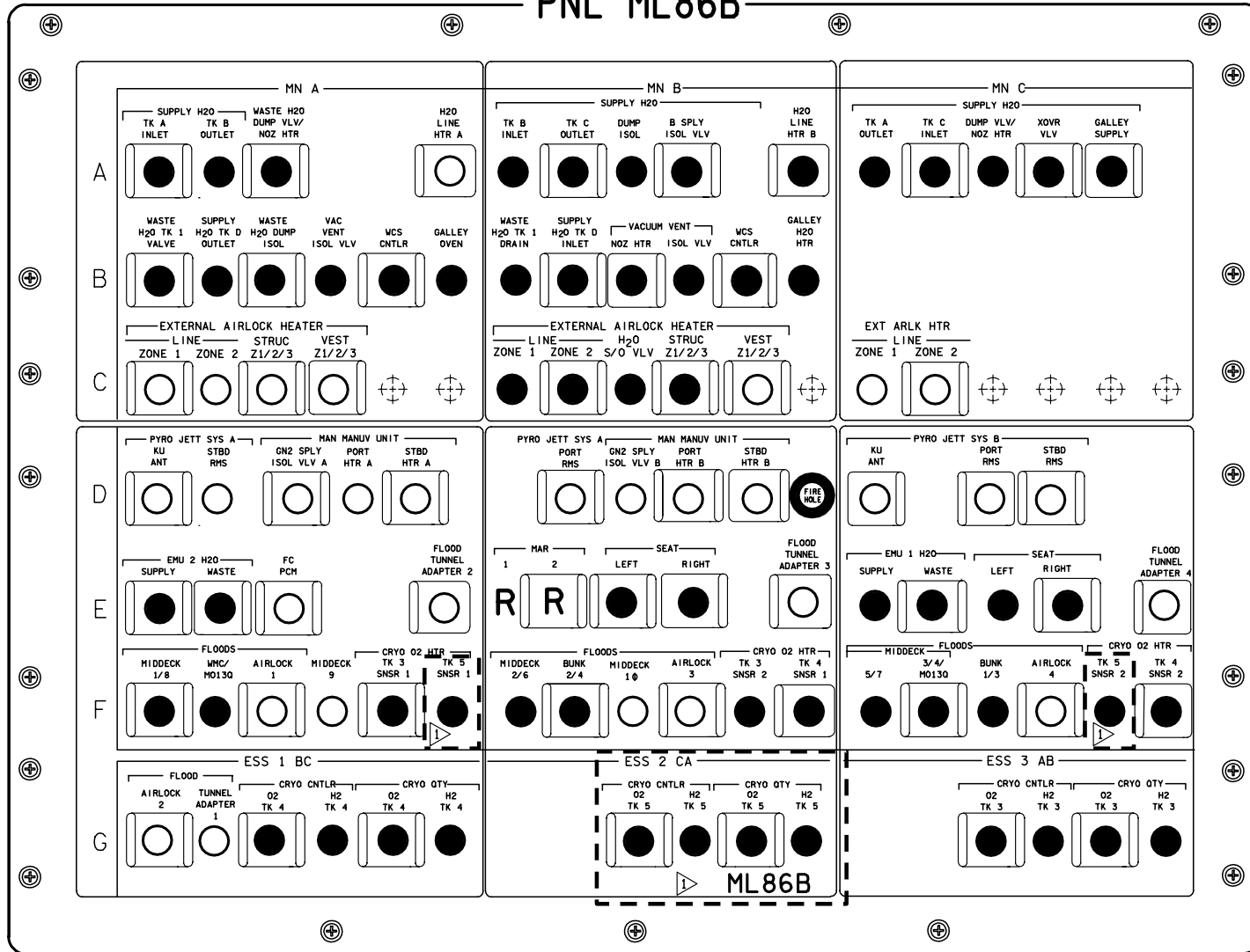
CAB TEMP CNTL ACT LINKAGE - SECONDARY ACTUATOR

PNL ML85E



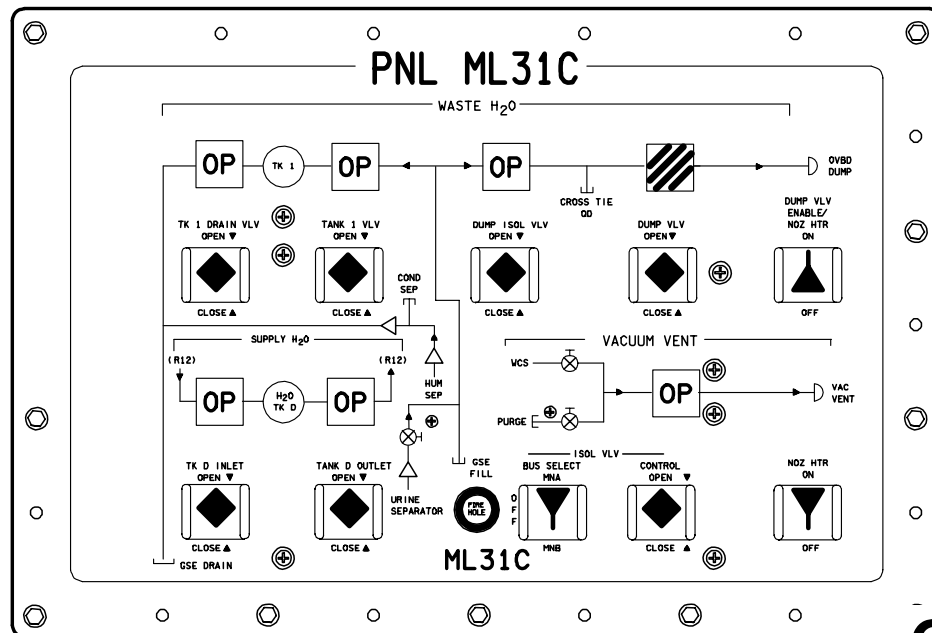
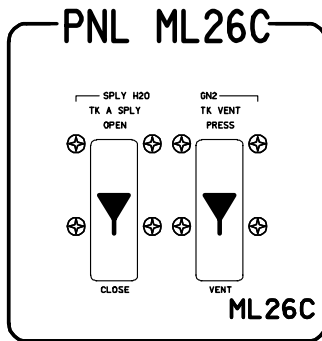
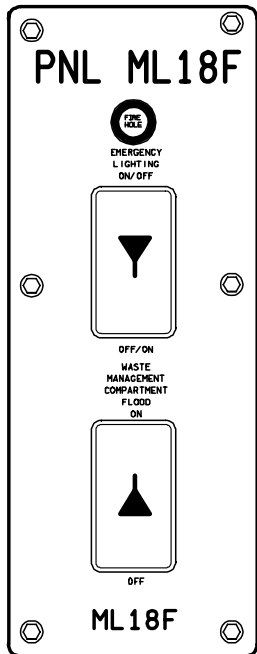
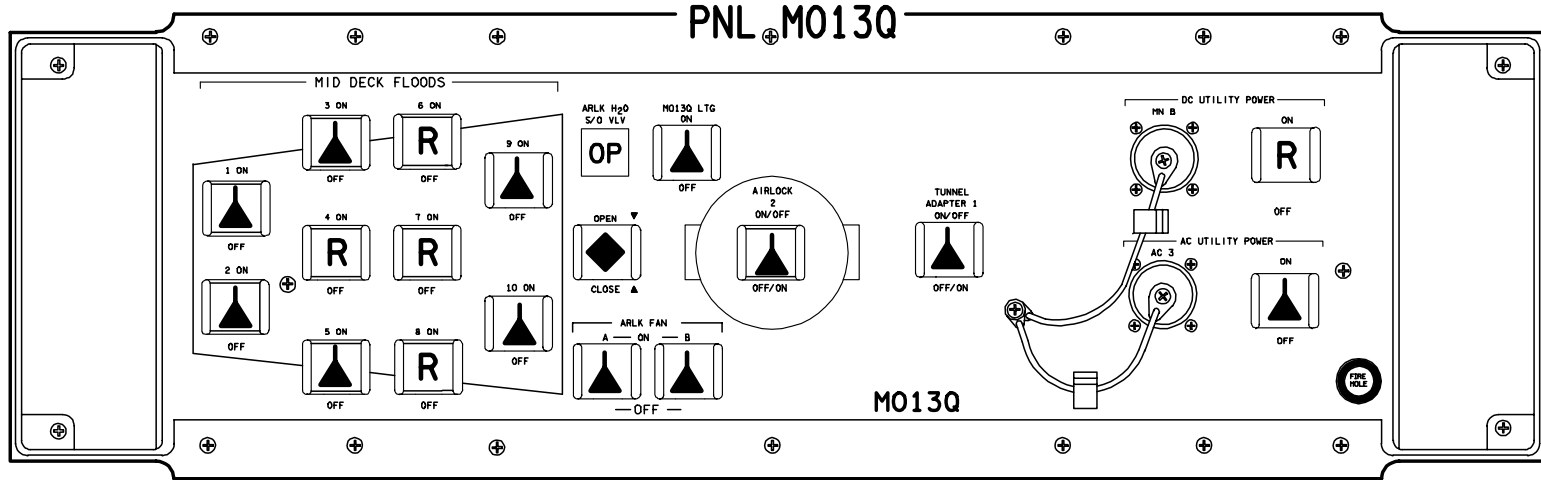
OV103

PNL ML86B

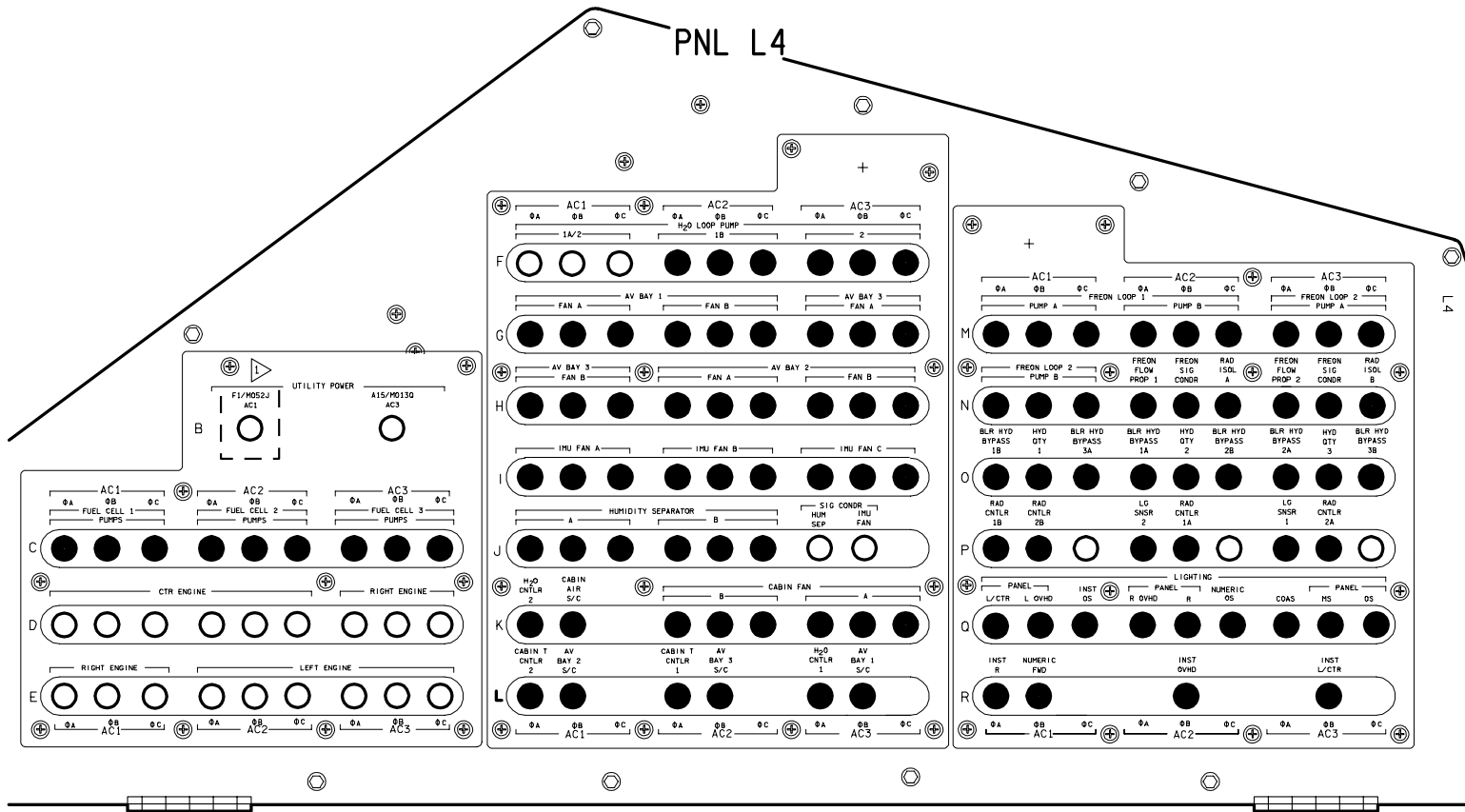


NOTE: ▷ OPEN IF TK 5 NOT FLOWN

OV103

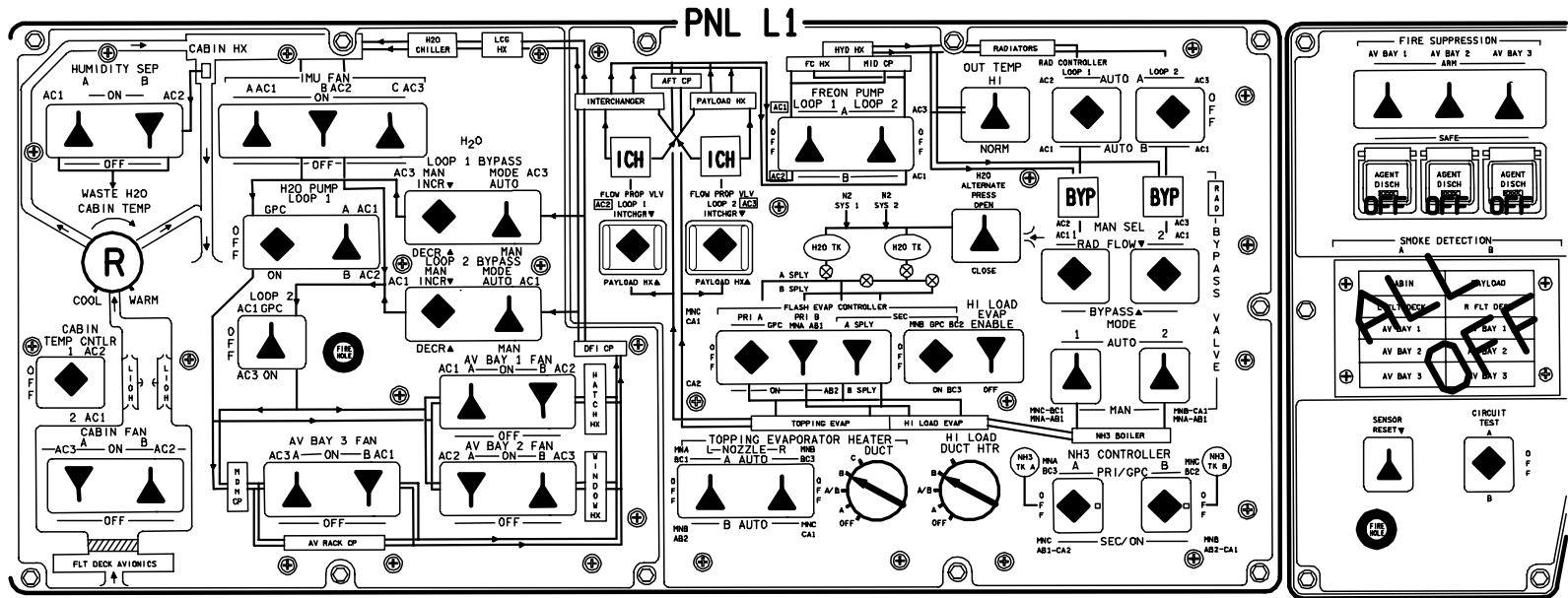


OV103



NOTE: ▸ CB CAN REMAIN CLOSED FOR AC PGSC USAGE.
 OPEN WHEN PGSC UNPOWERED/STOWED

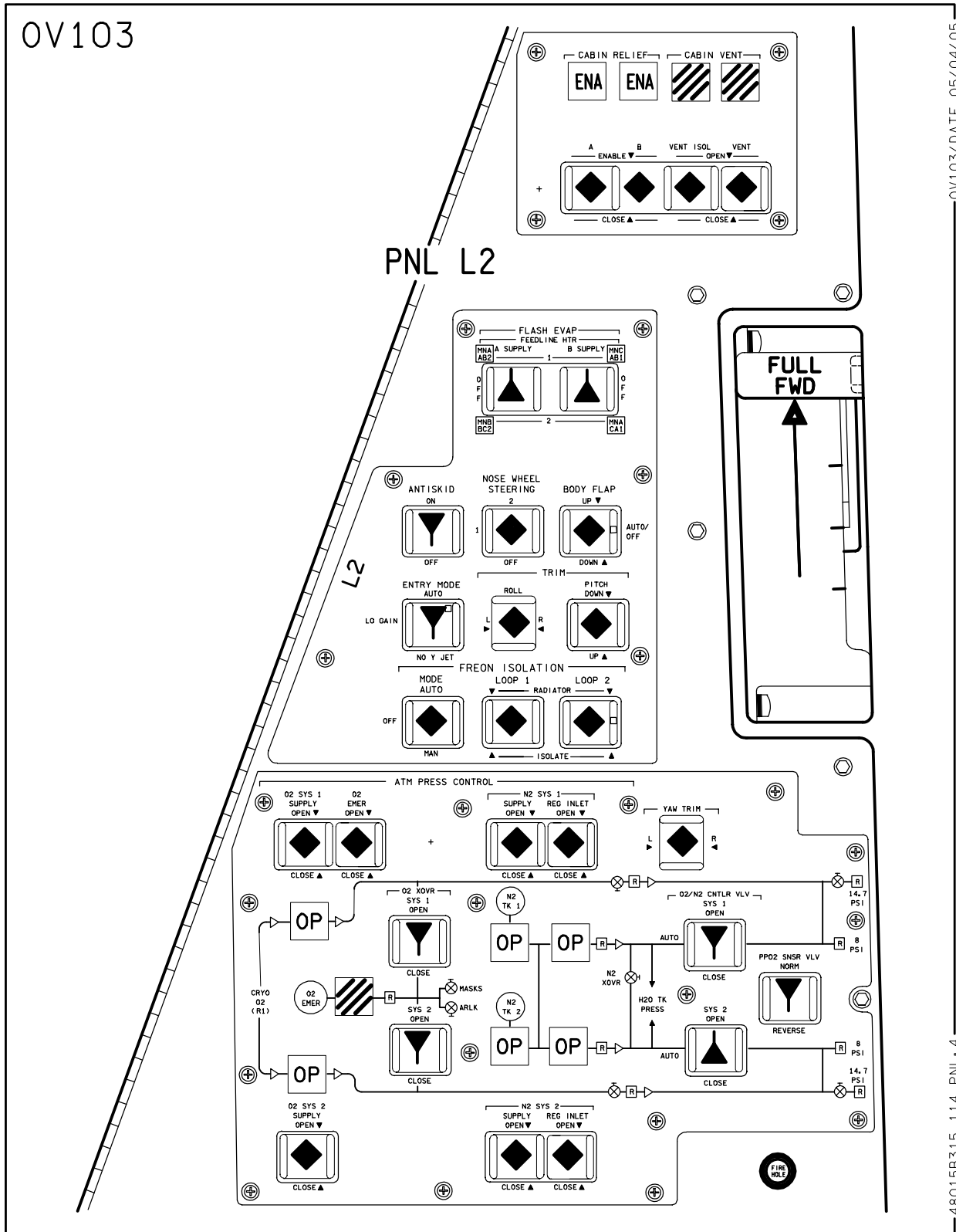
OV103



48015E314_114, PNL 2

ALL VEH/DATE 04/28/05

OV103



OV103/DATE 05/04/05

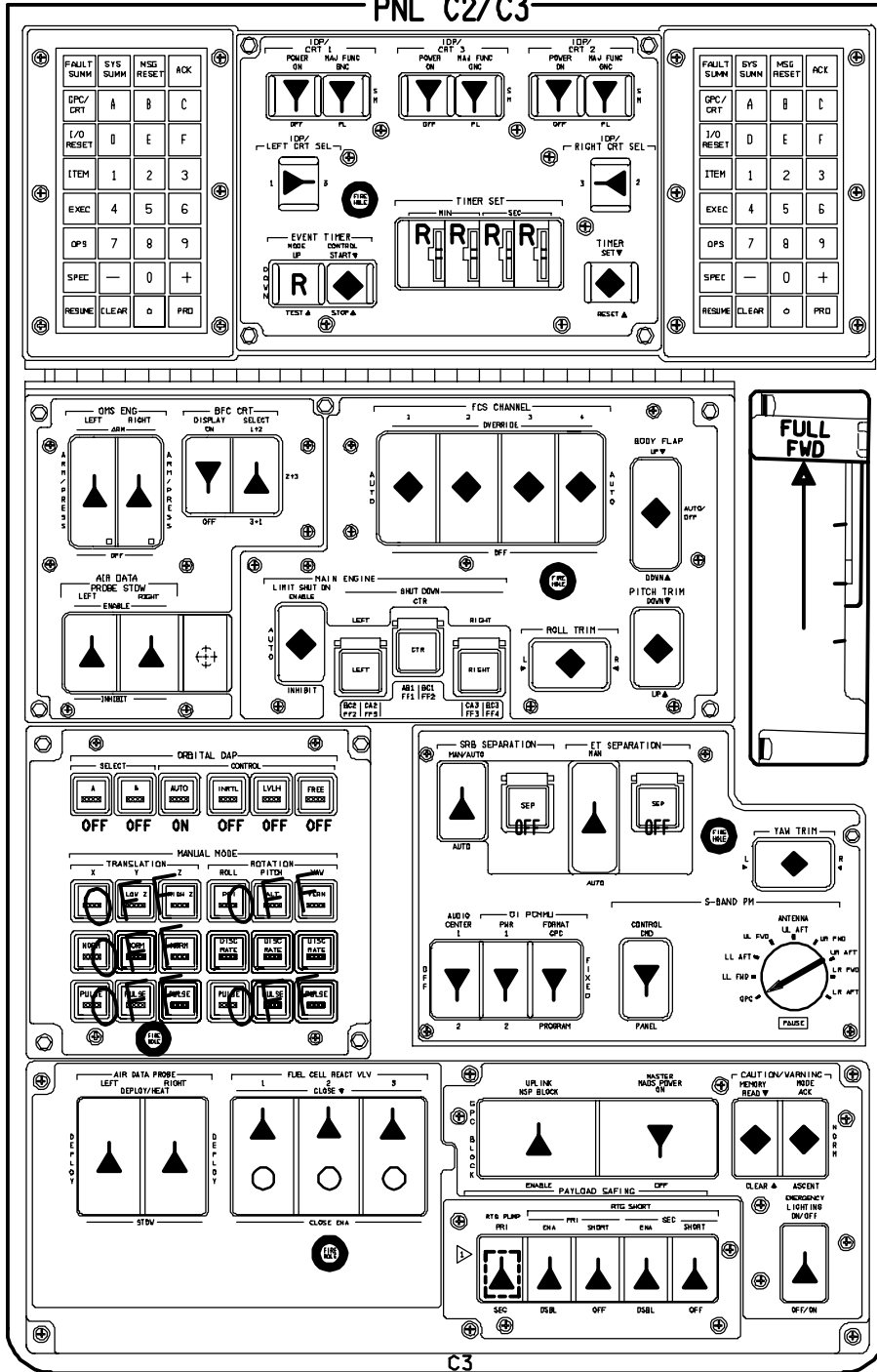
48015B315_114. PNL 4

OV103

(OV103) A3-15

D/O/3/GEN P

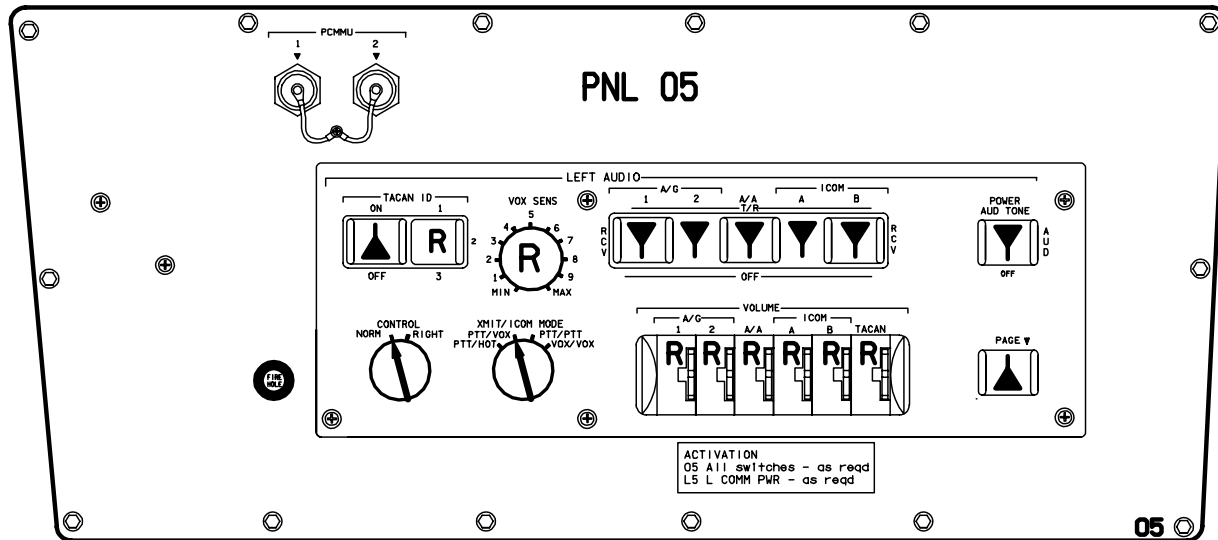
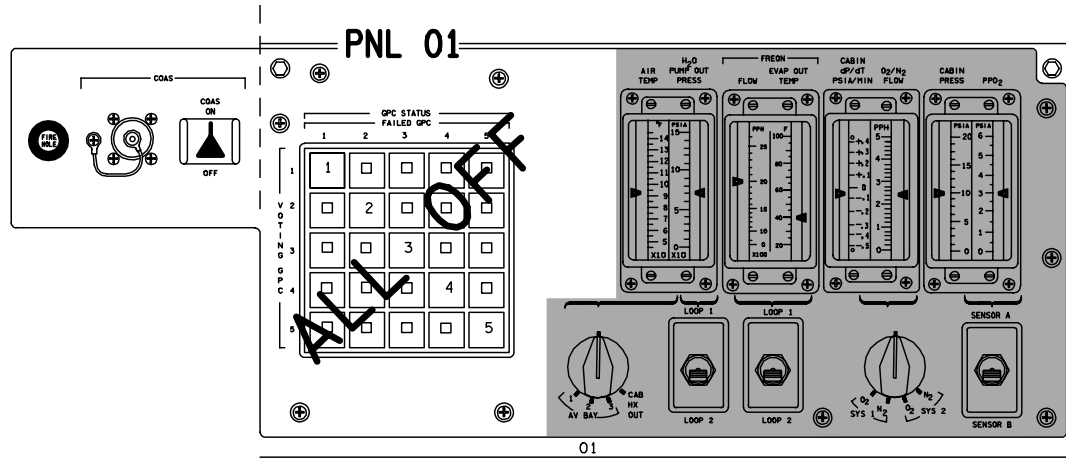
PNL C2/C3



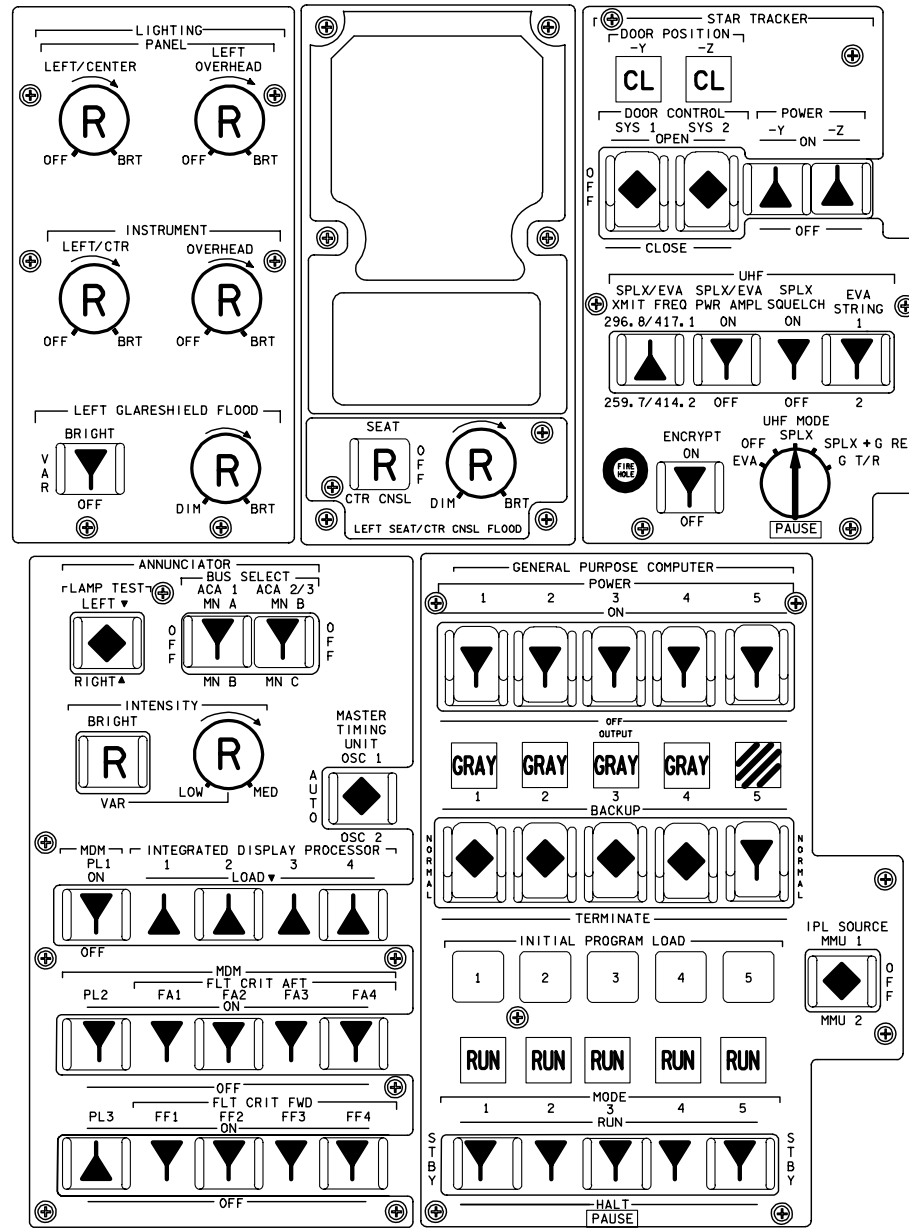
POSSIBLE CONFIGURATION

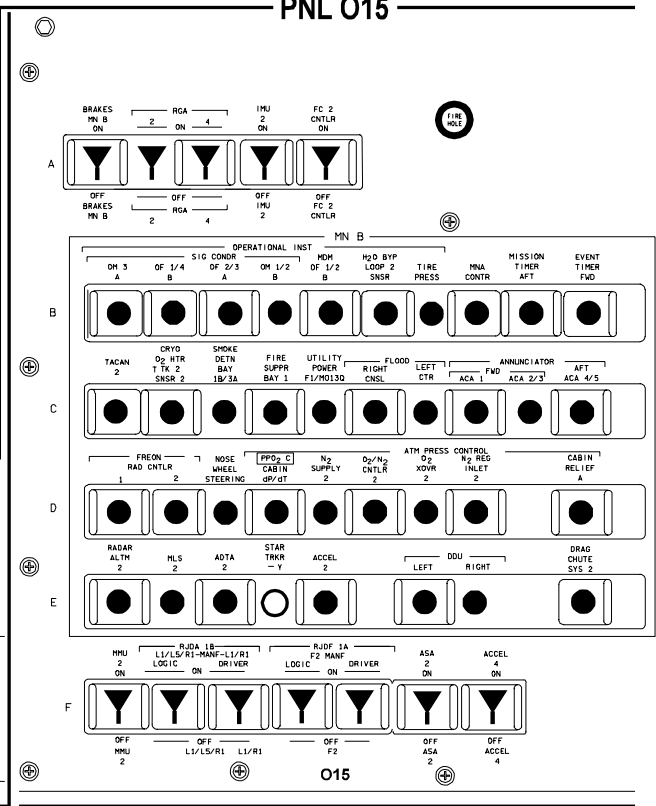
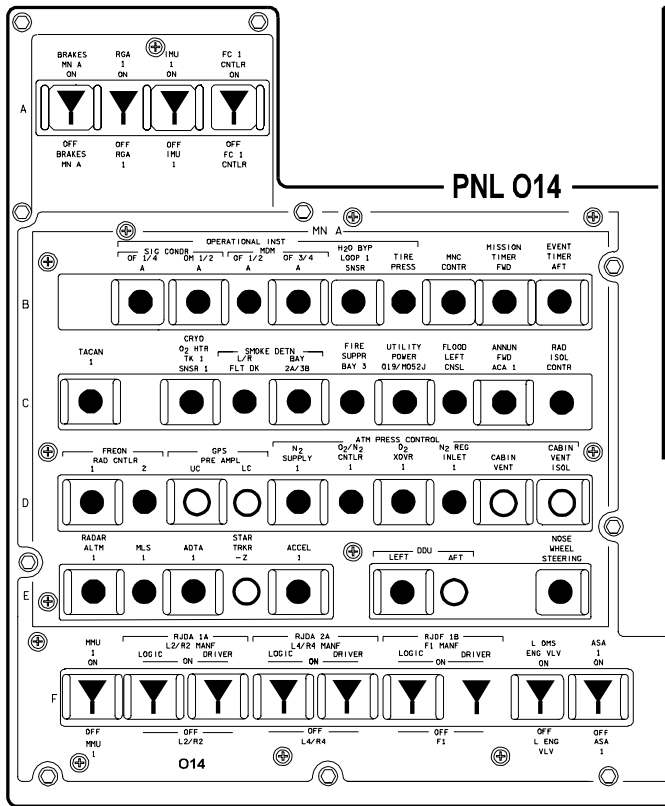
48015E316_1.14, PNL B 2 OV103/DATE 05/02/05

OV103

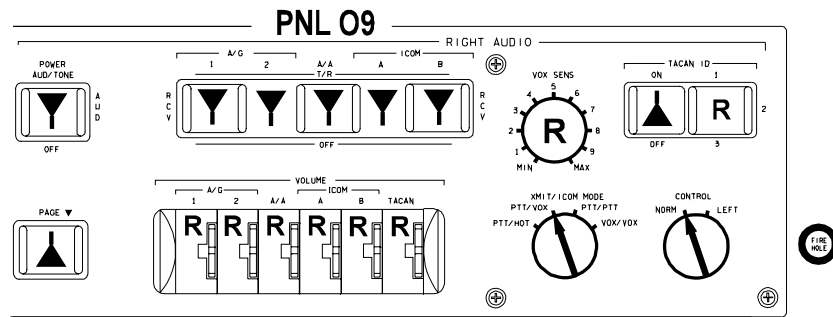
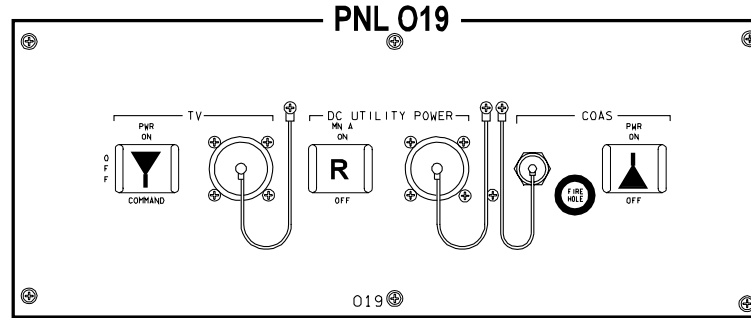
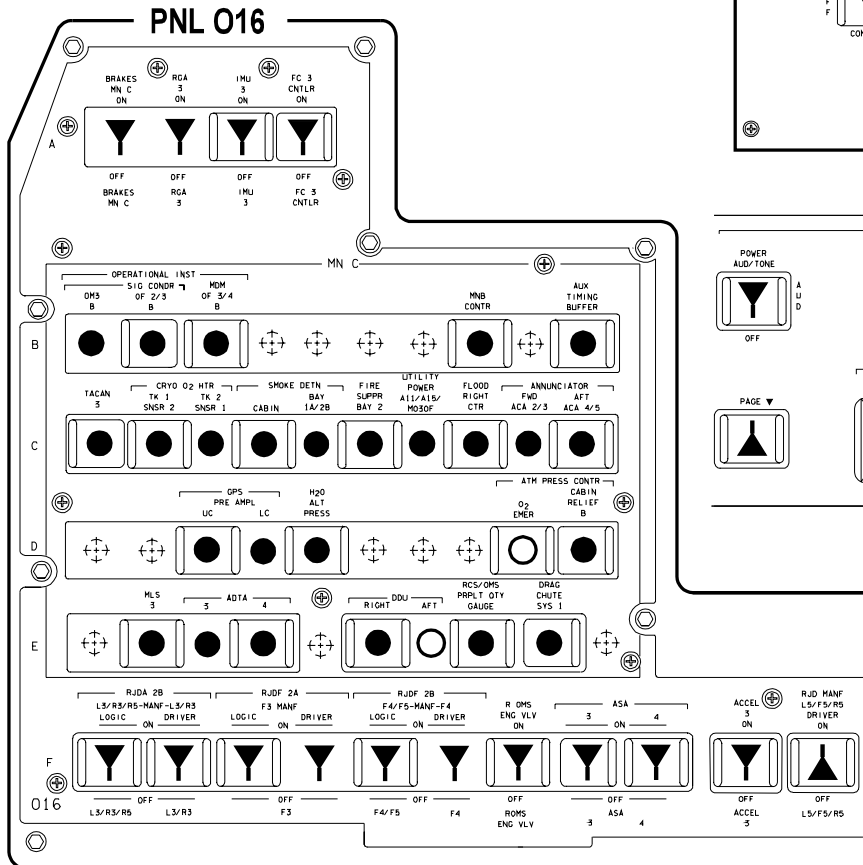


PNL 06

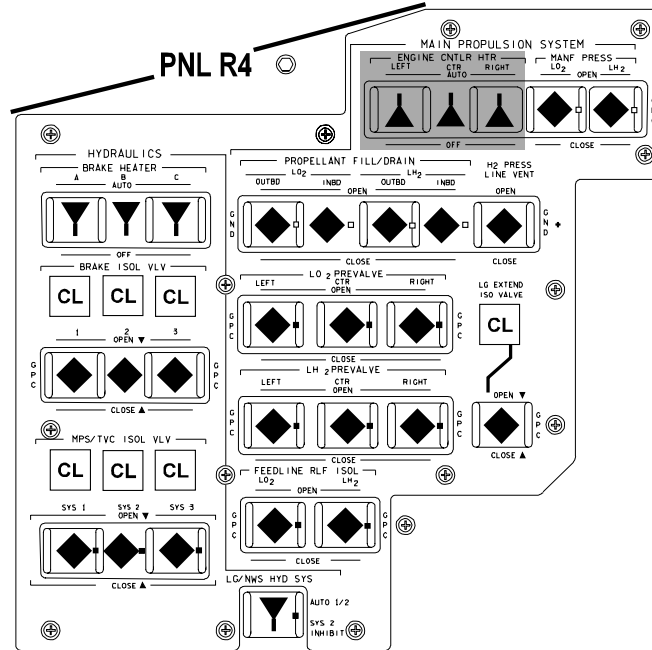
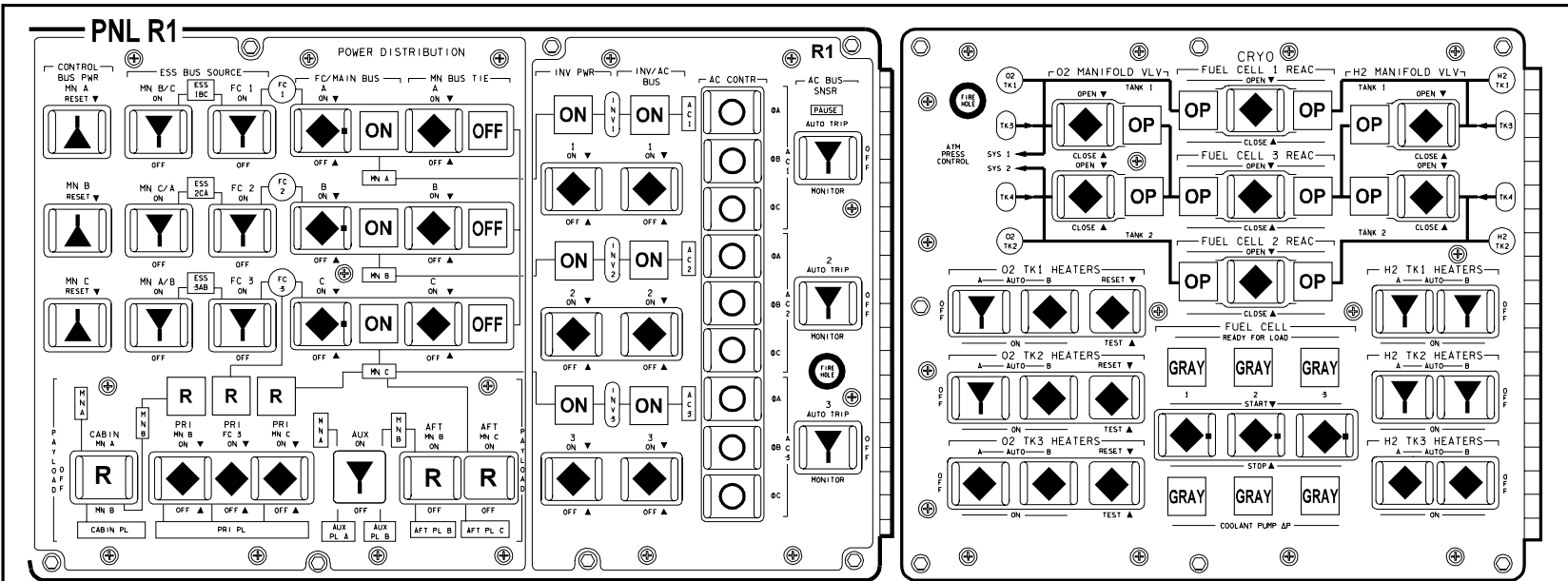




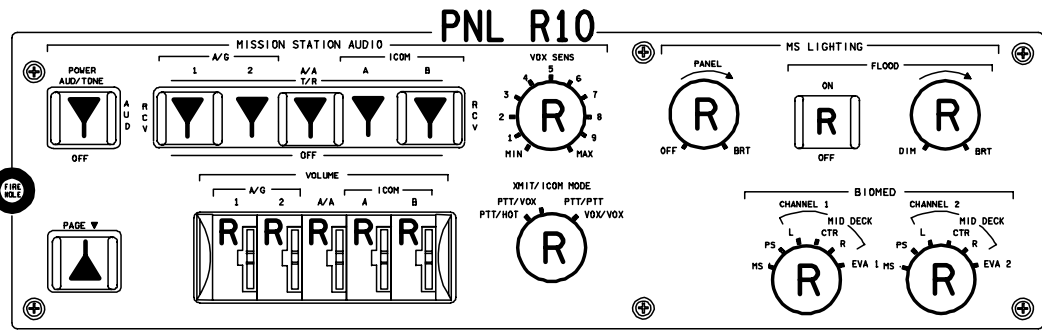
OV103



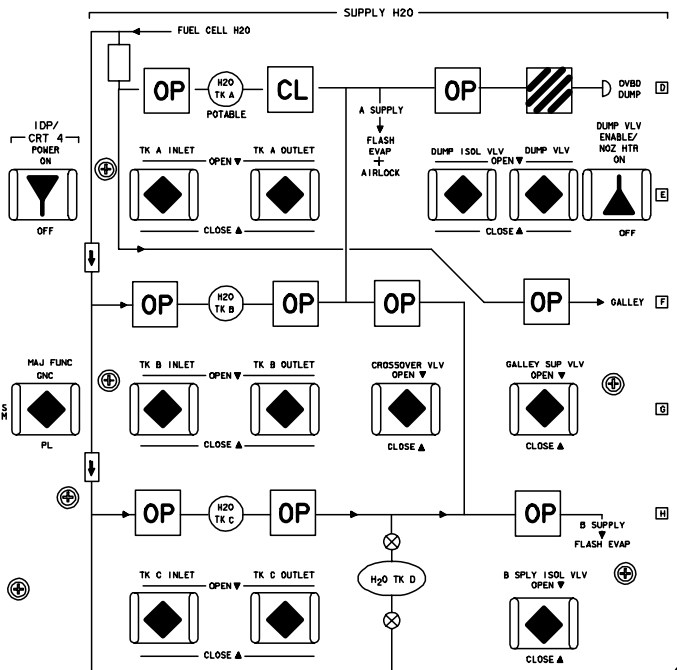
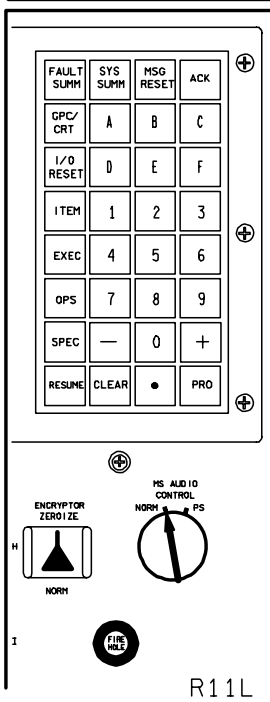
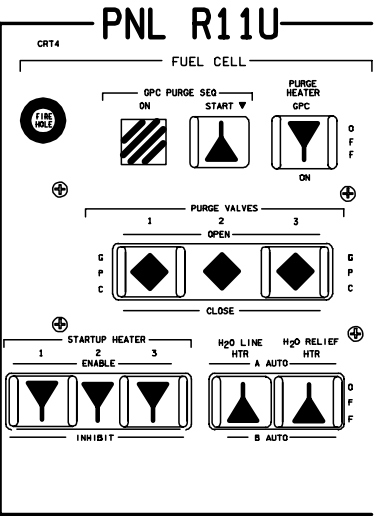
ACTIVATION
09 R AUD PWR - AUD/TONE
All other sws - as reqd
R6 R COMM PWR - as reqd



OV103

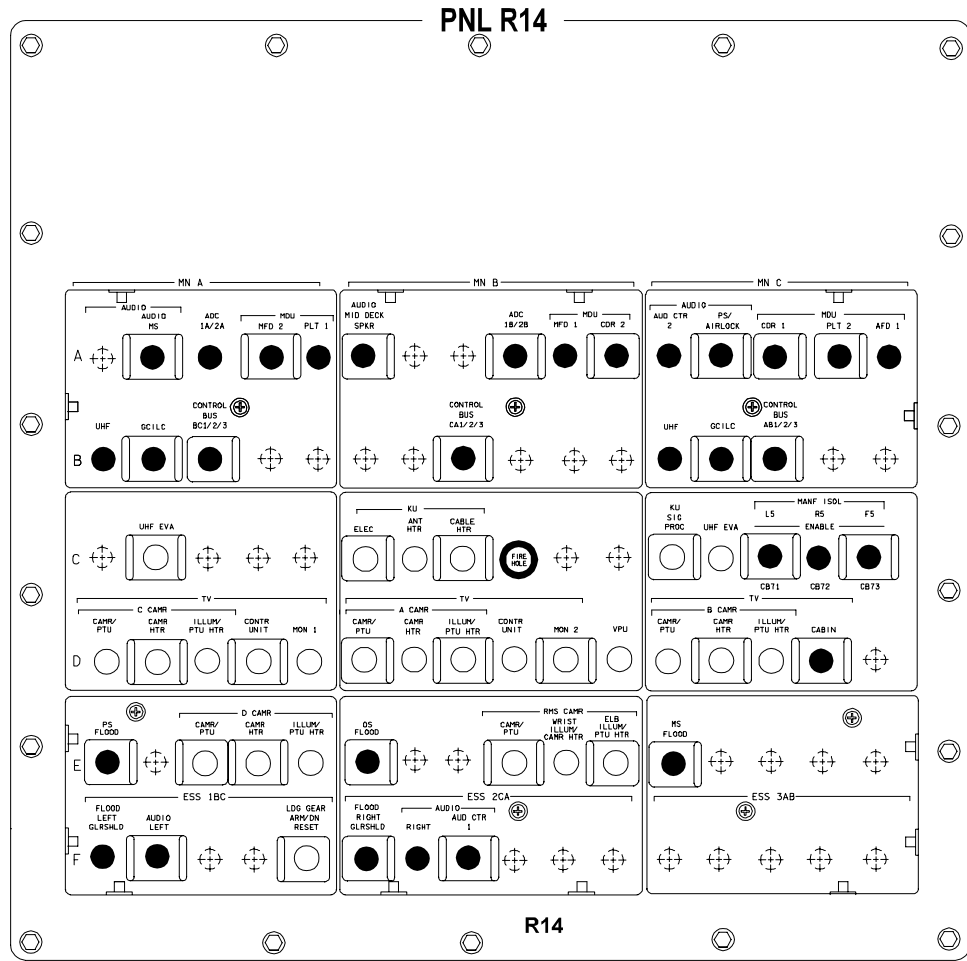
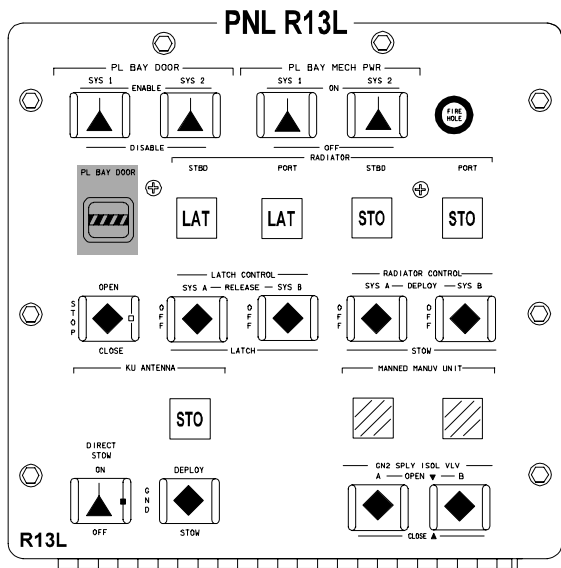


ACTIVATION
R10 MS AUD PWR - AUD/TONE
All other sws - as reqd
R12 MS AUD CONTL - NORM
A11 MS COMM CCU PWR - ON

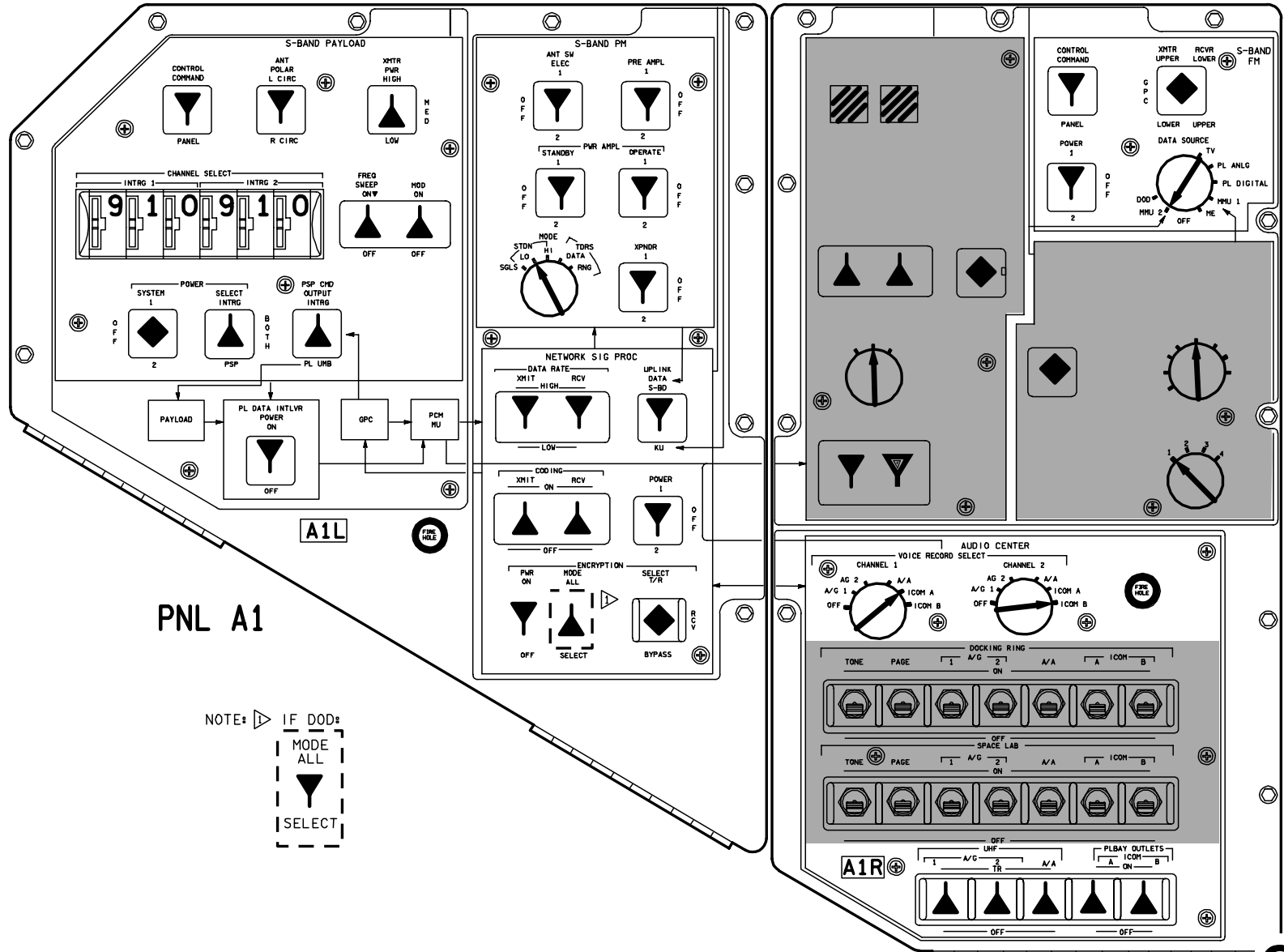


OV103

OV103



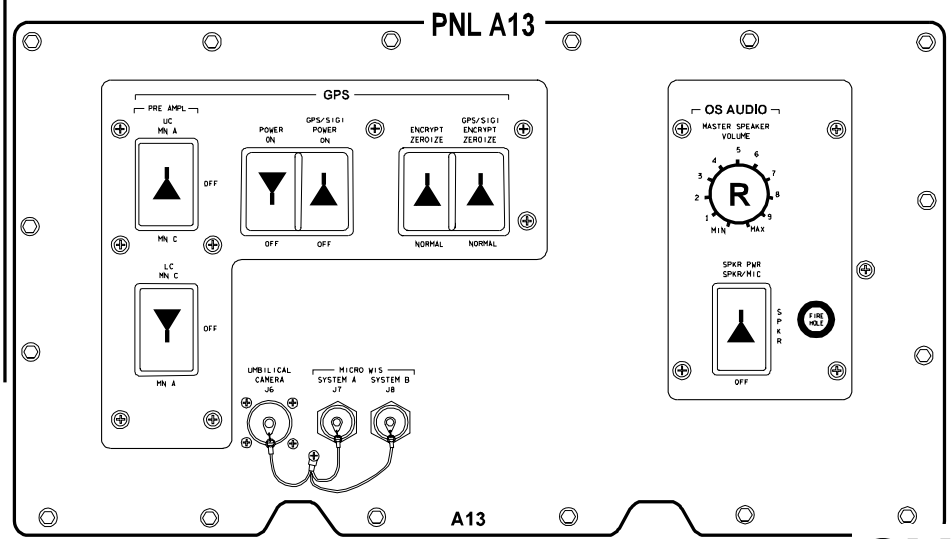
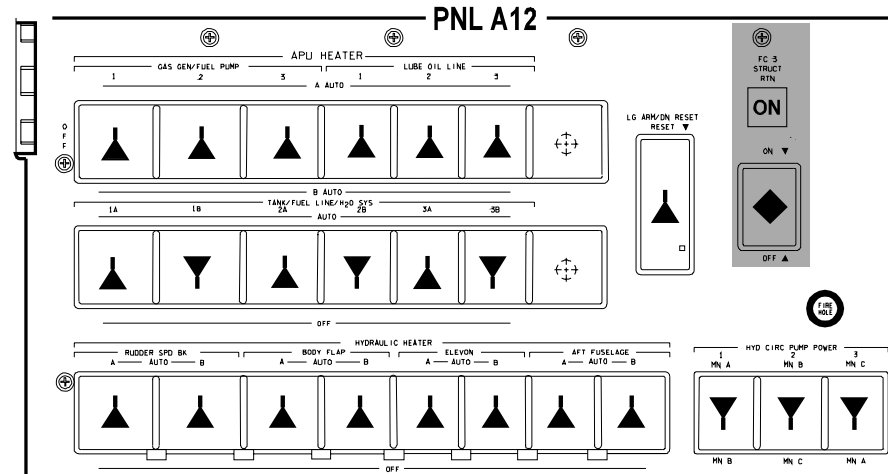
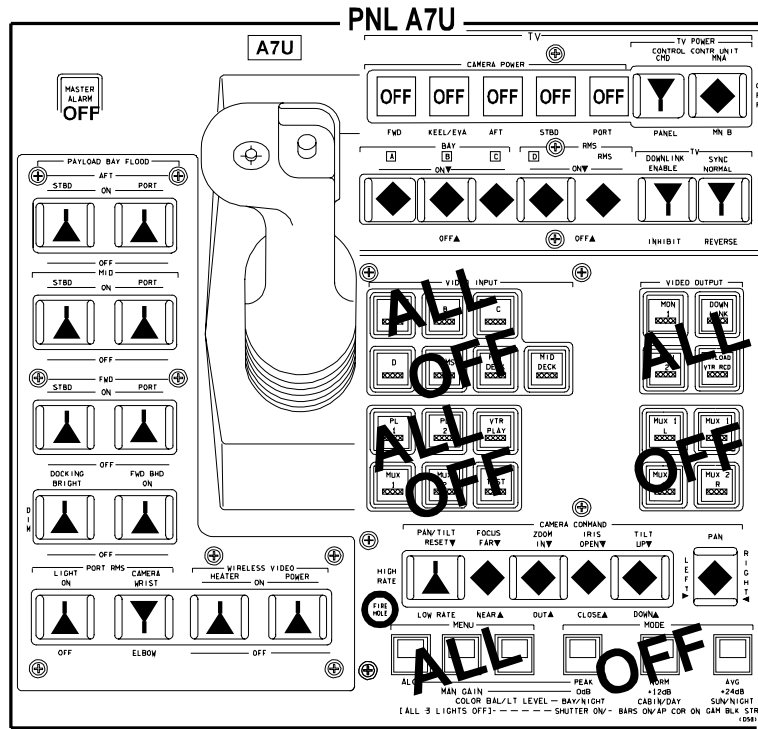
OV103



PNL A1

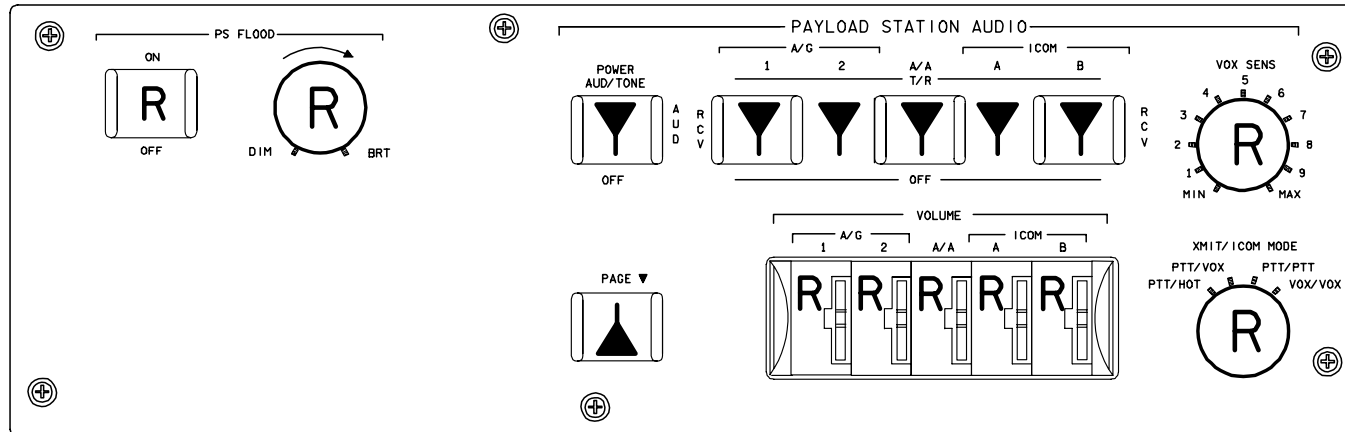
NOTE: IF DOD:
 MODE ALL
 SELECT

OV103



OV103

PNL L9

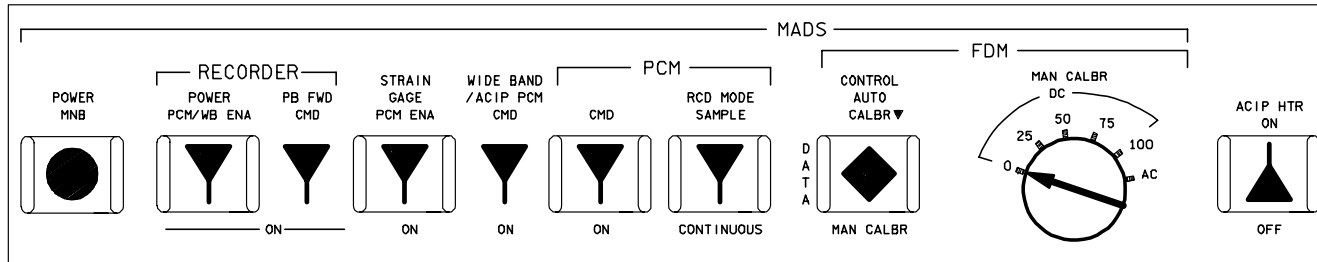
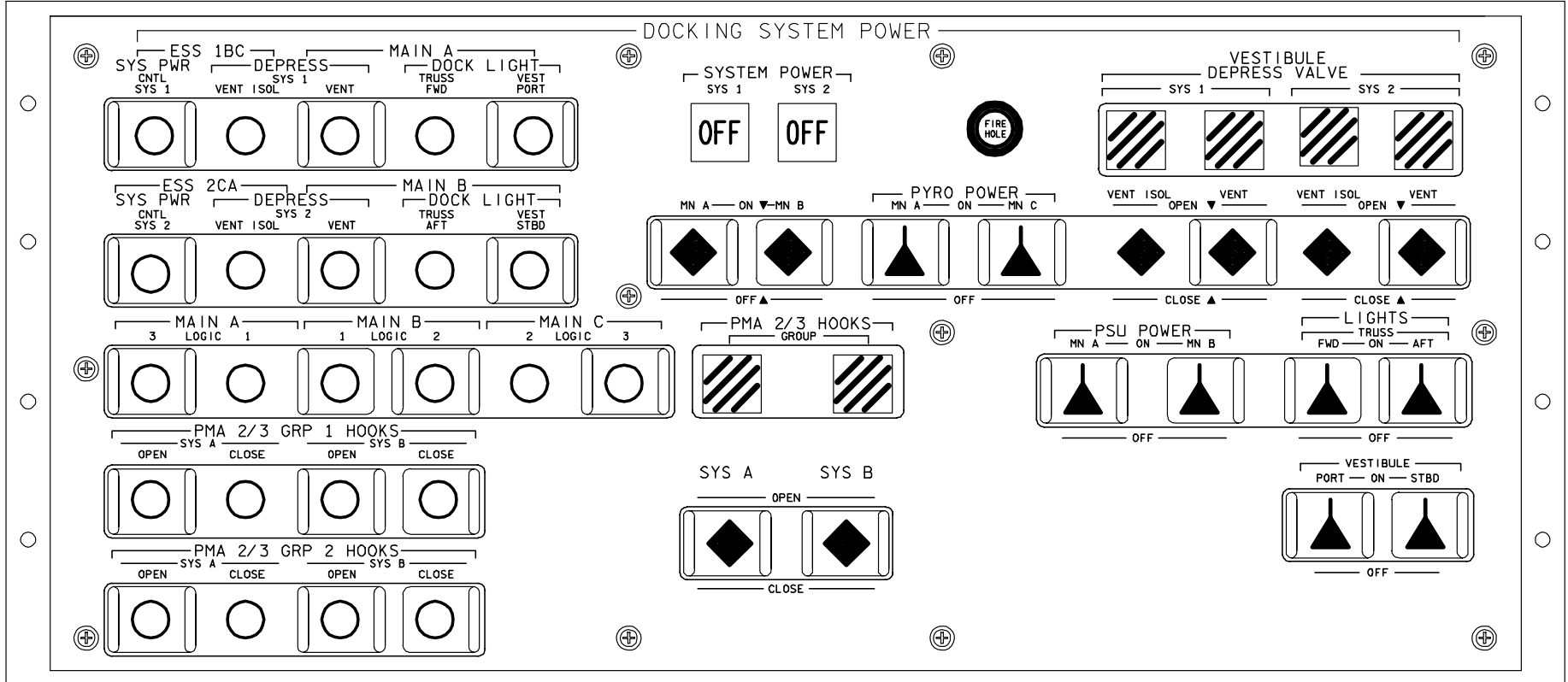


ACTIVATION
L9 All switches - as reqd
A15 PS COMM CCU PWR - ON

L9

OV103

PNL A6L



48015E327_114. PNL 1

OV103/DATE 04/28/05

OV103

OV103

CONTROL PANEL POWER

A ON OFF B ON OFF C ON OFF

HEATERS/DCU POWER

H1 ON OFF H2/DCU ON OFF H3/DCU ON OFF

APDS POWER

A_{DS} ON OFF B_{DS} ON OFF C_{DS} ON OFF

STATUS

POWER	ON	INITIAL	CONTACT
APDS PROTECT	CIRCUIT OFF	CAPTURE	CAPTURE
RING	ALIGNED	RING	FORWARD POSITION
RING	INITIAL POSITION	TO HOOK	
FIXERS	OFF	INTER	SEALED
HOOKS 1	OPEN	HOOKS 1	CLOSED
HOOKS 2	OPEN	HOOKS 2	CLOSED
LATCHES	CLOSED	LATCHES	OPEN
UNDOCK	COMPLET	RING	FINAL POSITION

PYROS

A_p ON OFF B_p ON OFF C_p ON OFF

A_p C_p

FIRE HOLE

OFF

OFF

PYRO COMMANDS

PYRO CIRC PROT OFF PYRO CIRC PROT ON

ACT HOOKS FIRING PAS HOOKS FIRING

APDS CONTROL COMMANDS

OPEN HOOKS OPEN LATCHES

UNDOCKING

A_{DS} B_{DS} C_{DS}

OFF

LAMP TEST

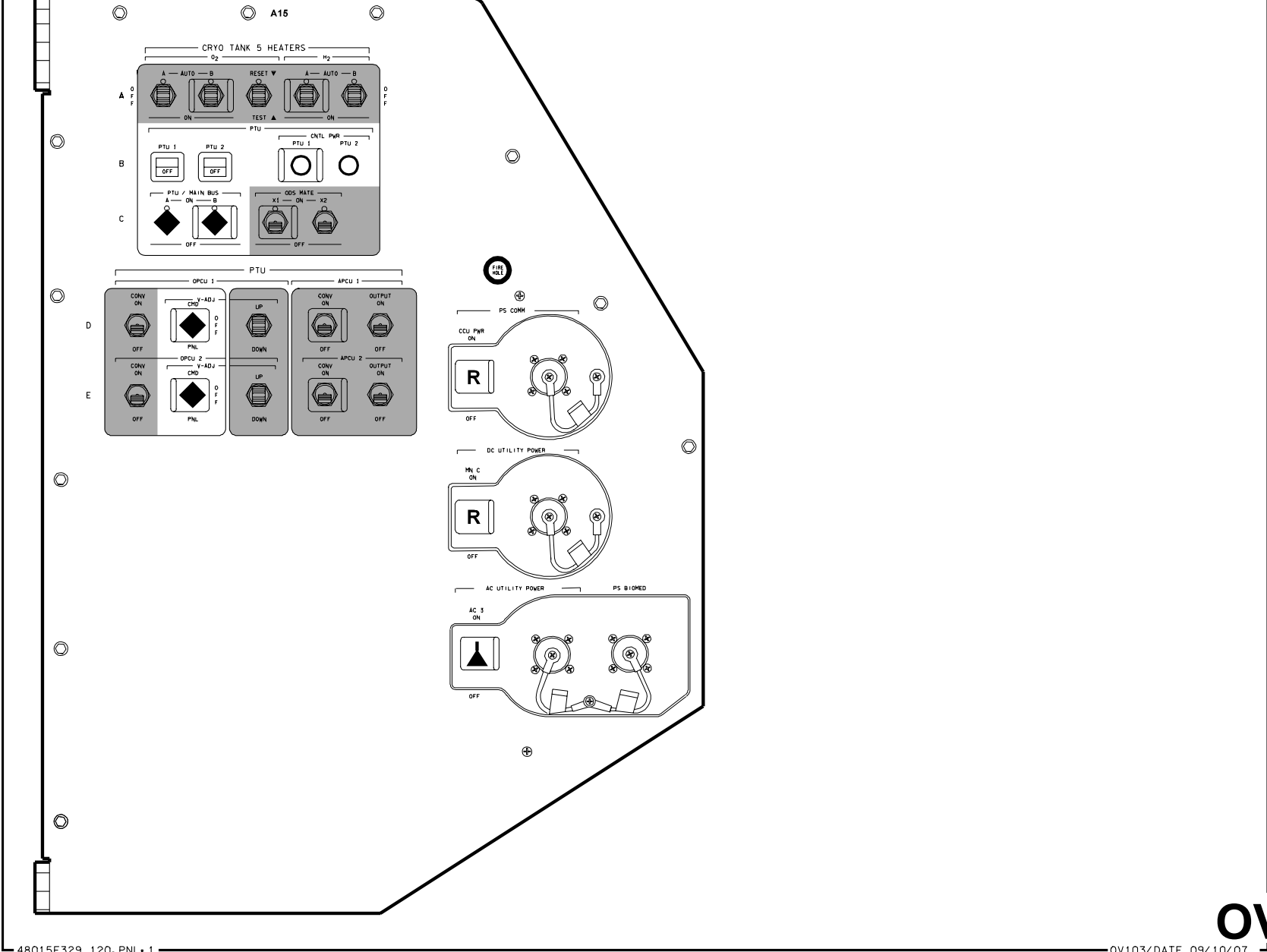
PNL A7L

APDS CONTROL COMMANDS

POWER ON	POWER OFF	RING OUT	RING IN
APDS CIRC PROT OFF	CLOSE HOOKS	CLOSE LATCHES	FIXER OFF

APDS CONTROL PANEL

OV103



48015E329_120. PNL# 1

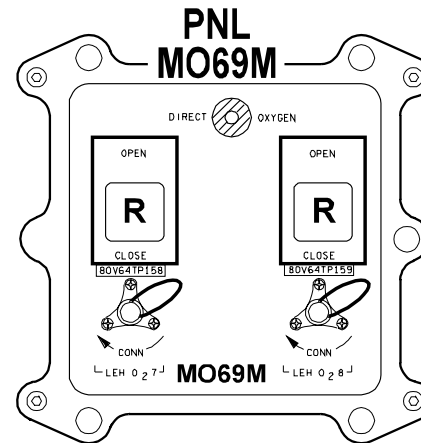
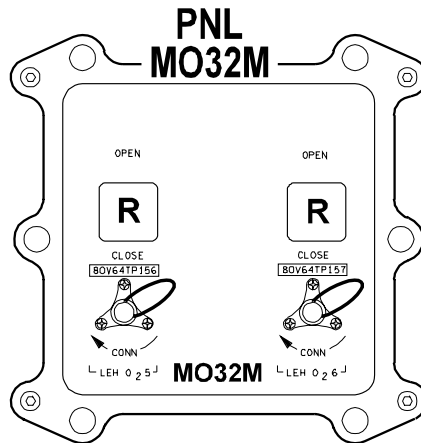
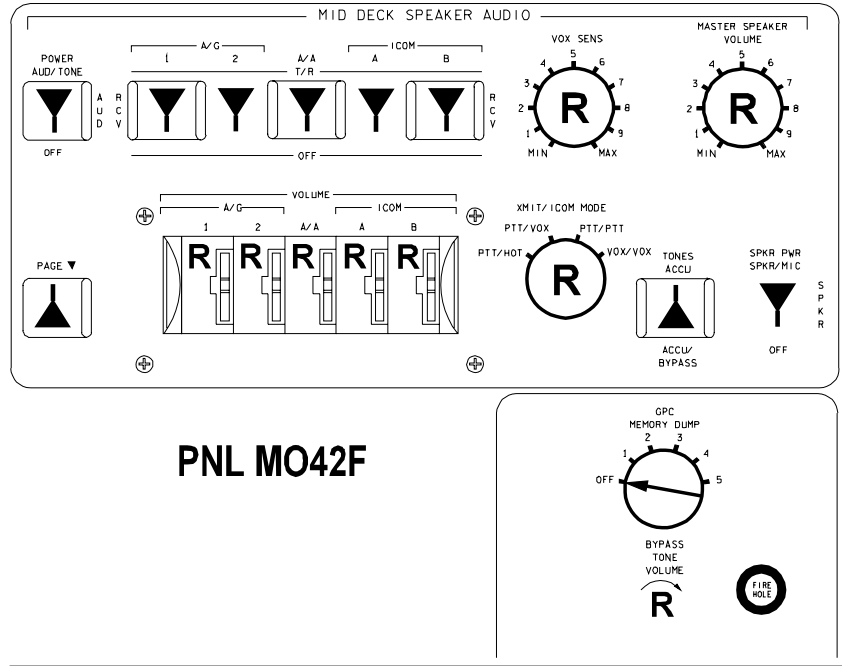
OV103/DATE 09/10/07

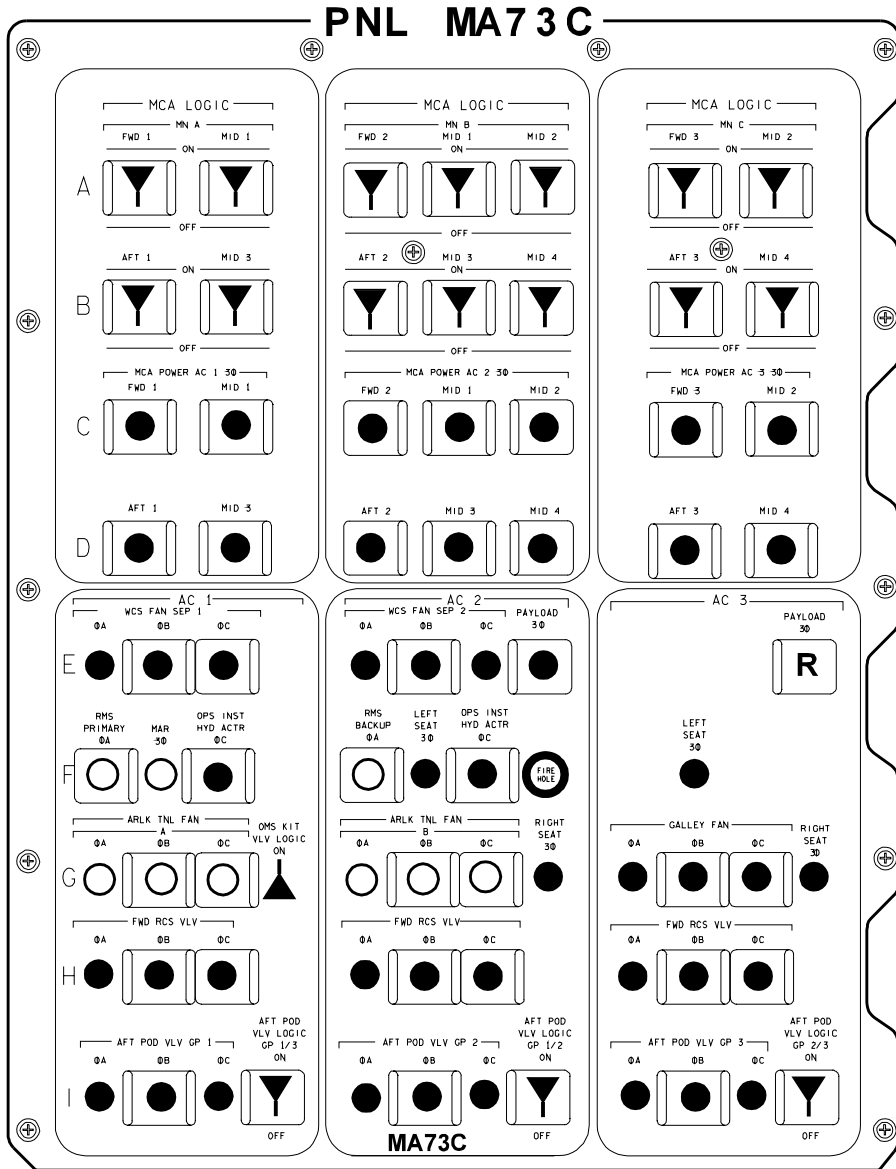
(OV103) A3-29

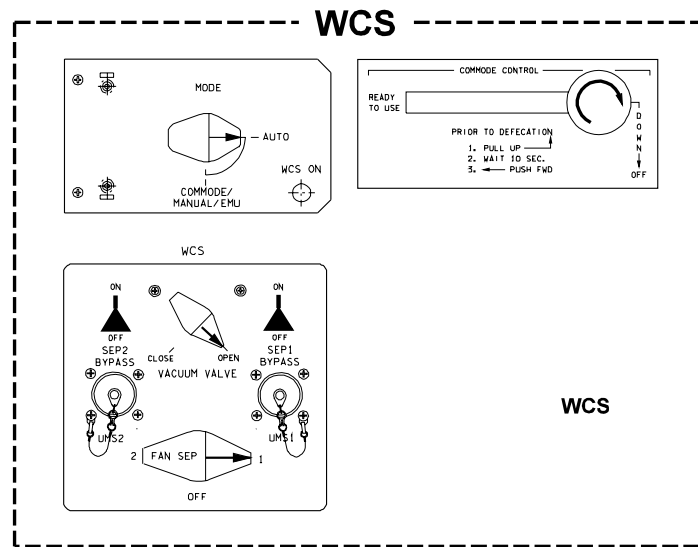
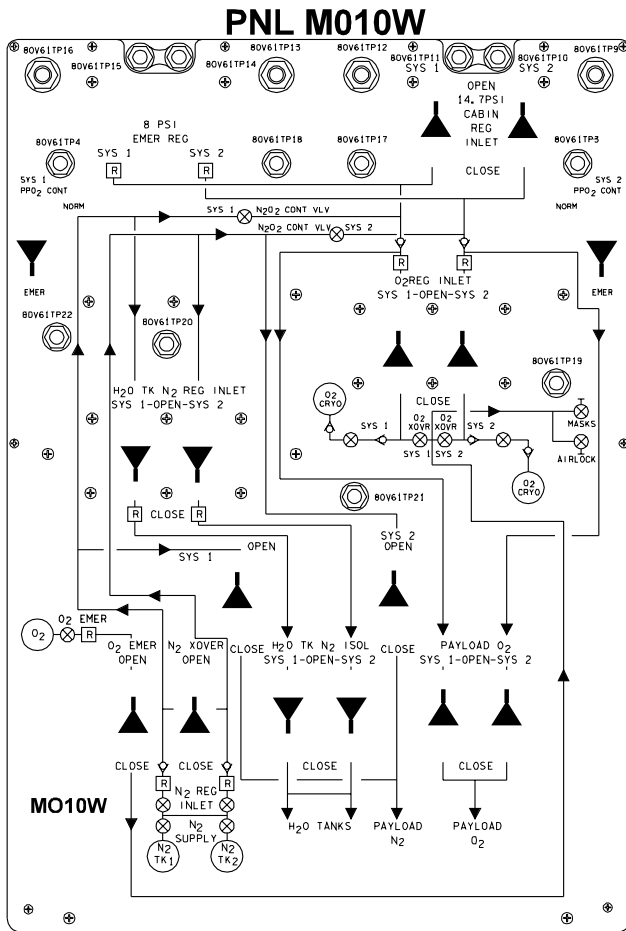
OV103

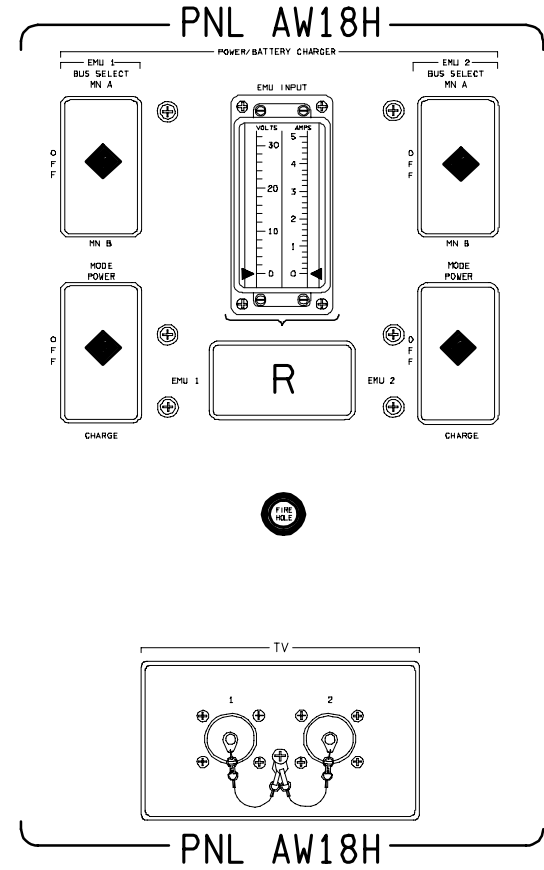
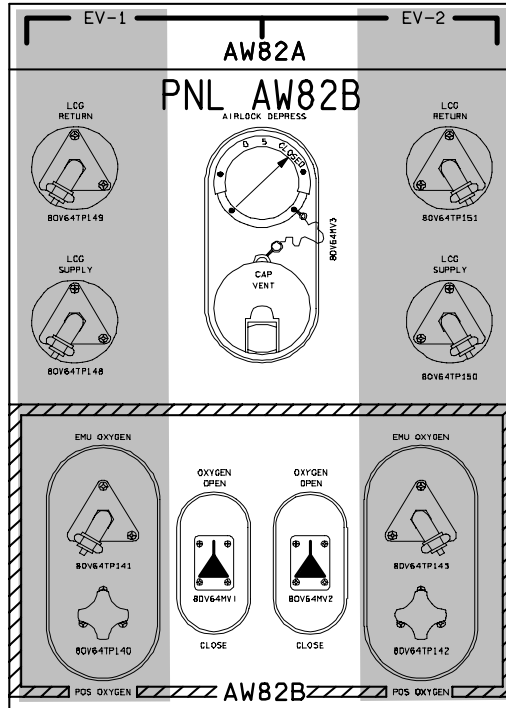
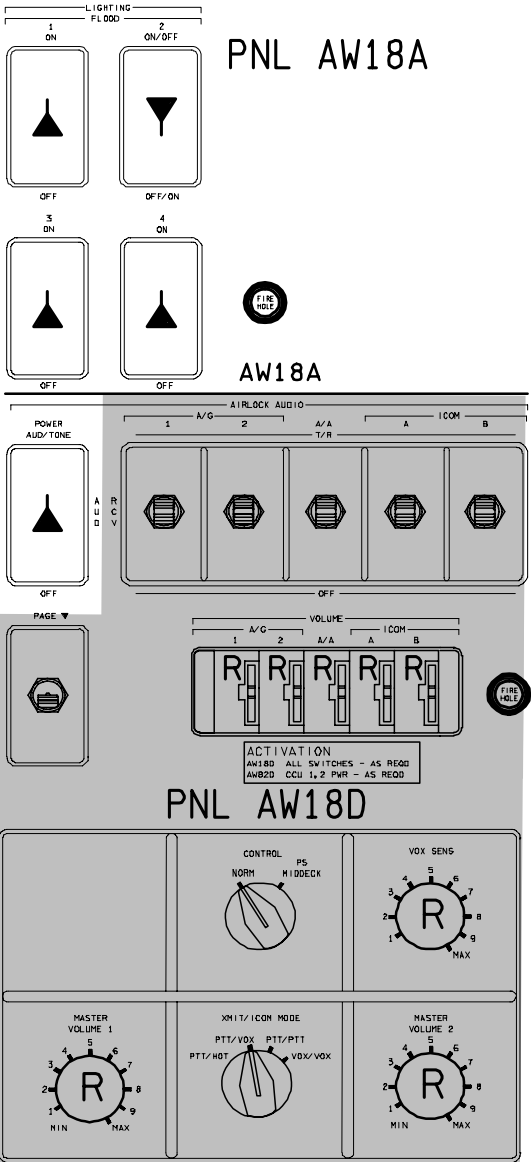
D/O/3/GEN P,3

OV103

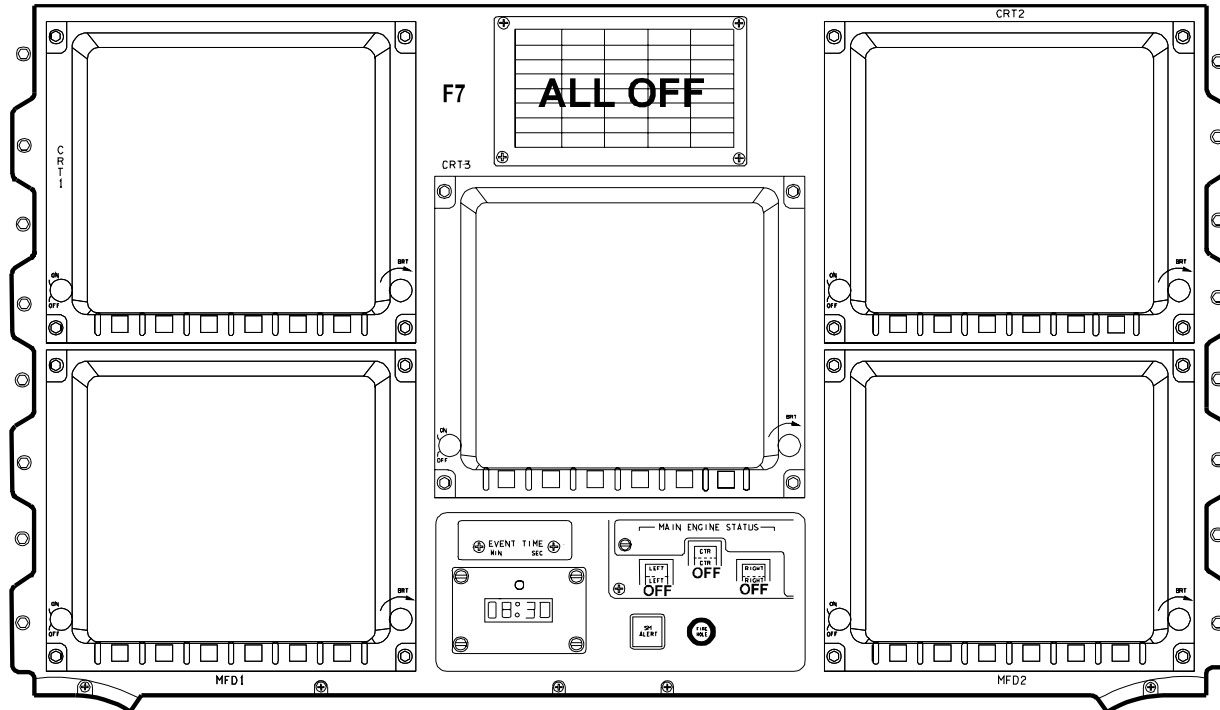
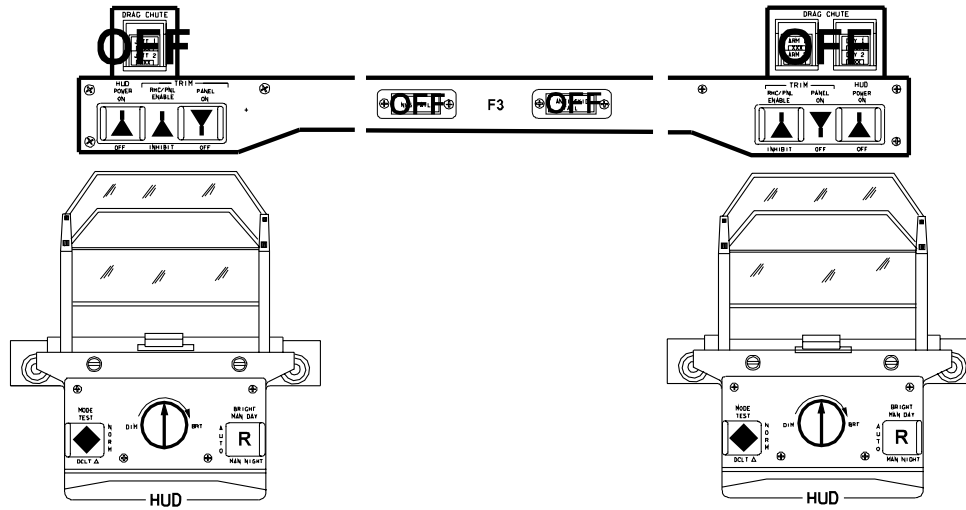




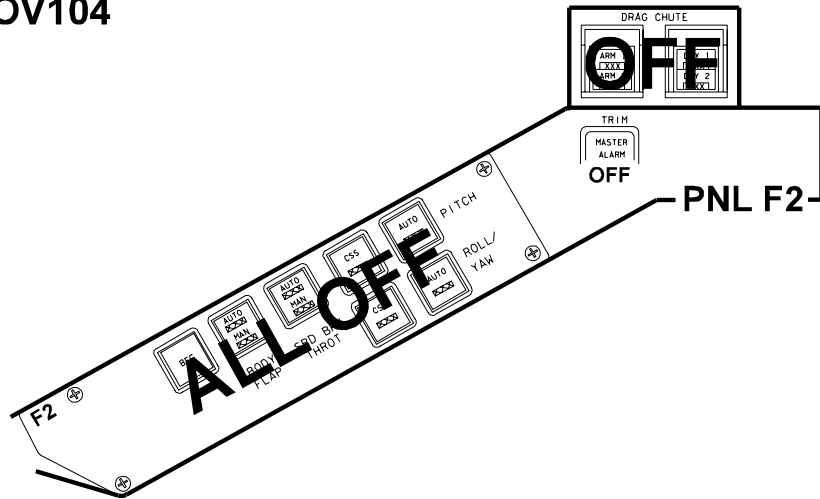




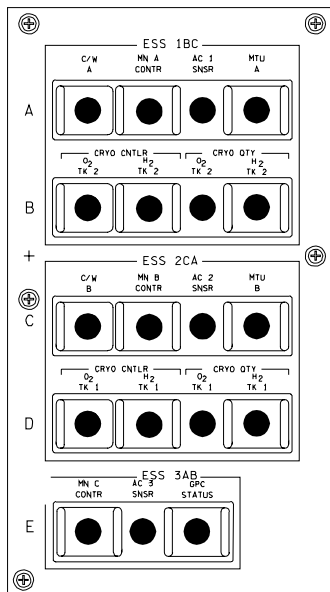
OV104



OV104

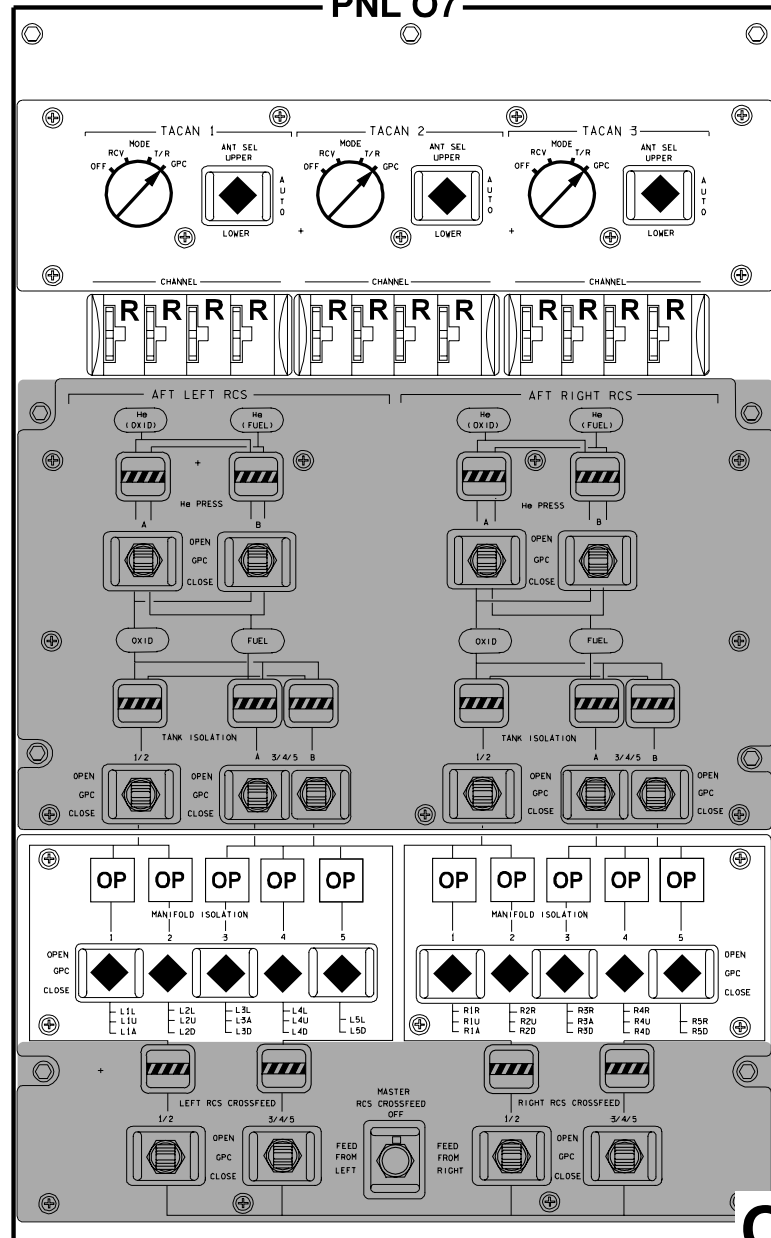


PNL O13



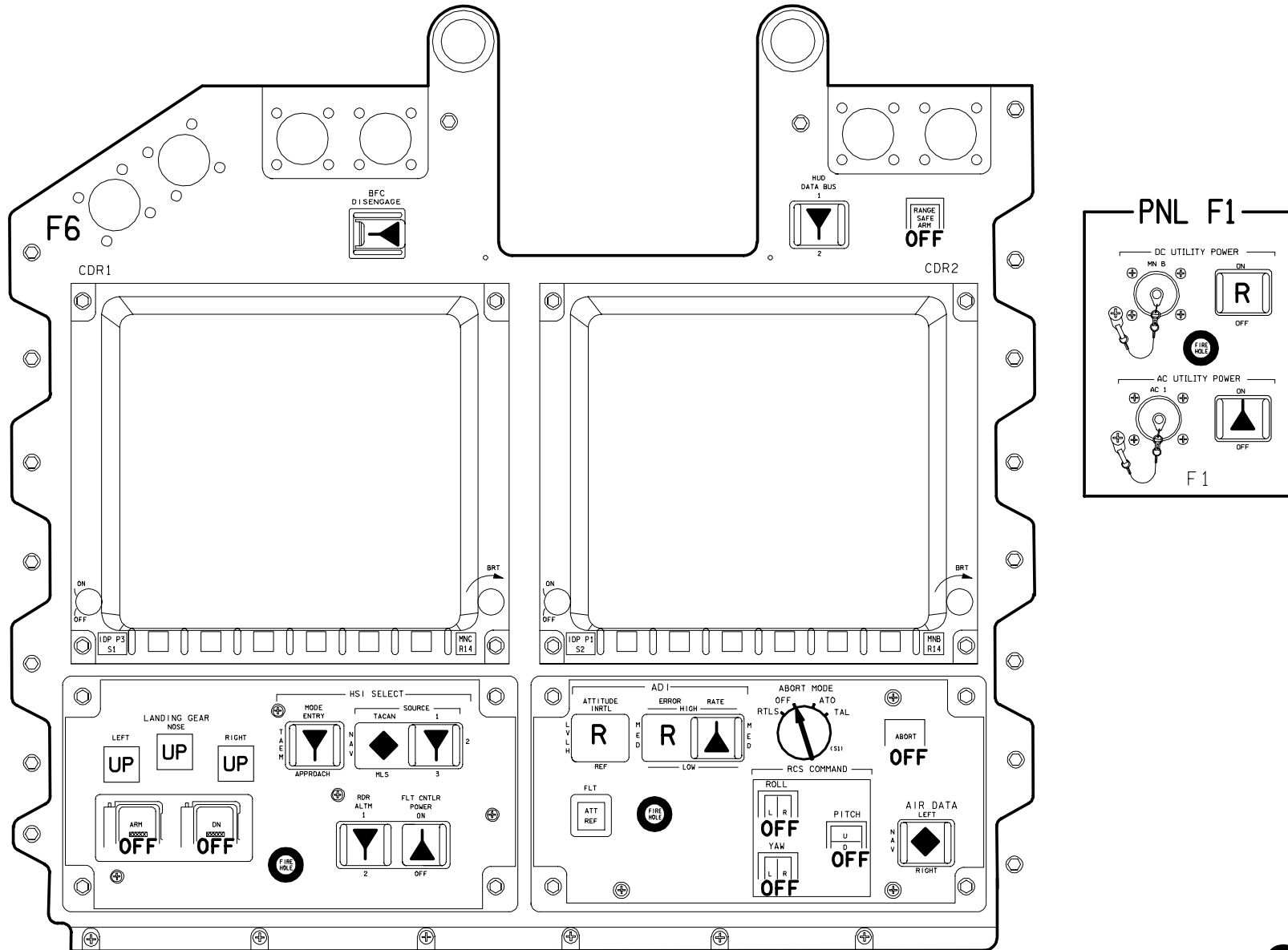
L side OVHD flood - R (MID)

PNL O7



OV104

OV104



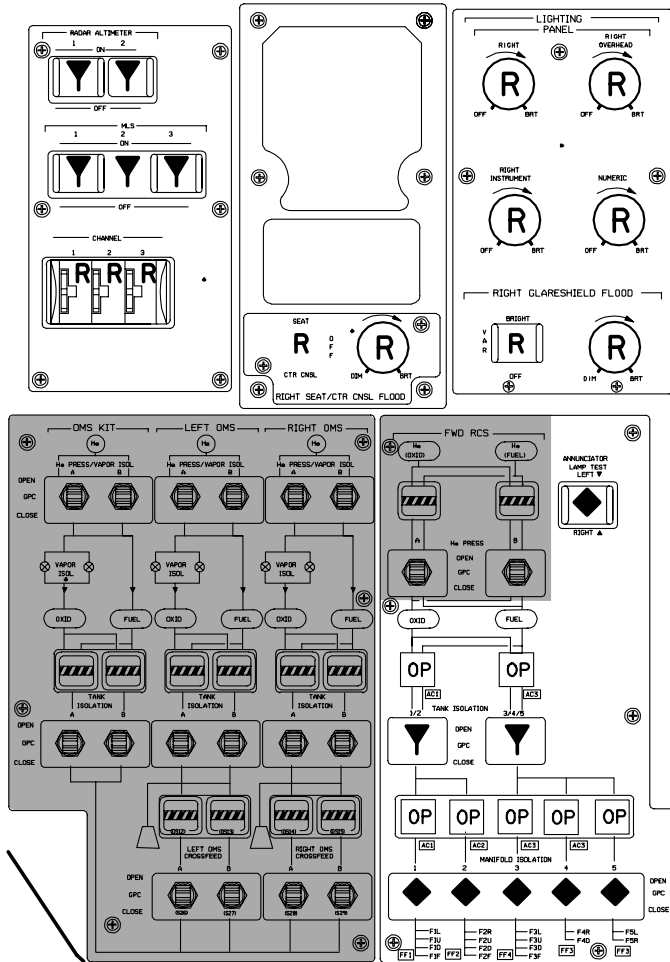
OV104

(OV104) B3-6

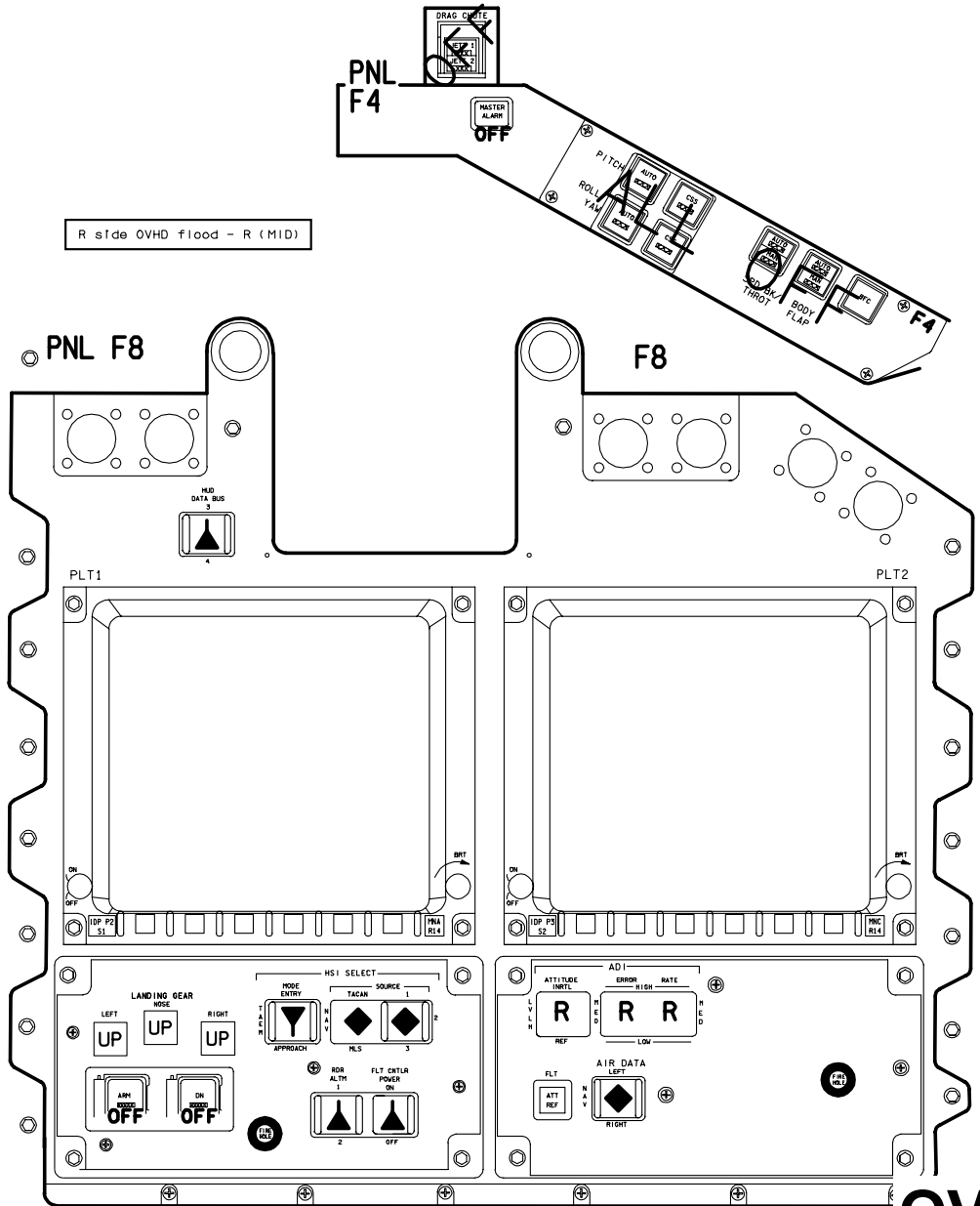
D/O/4/GEN P

OV104

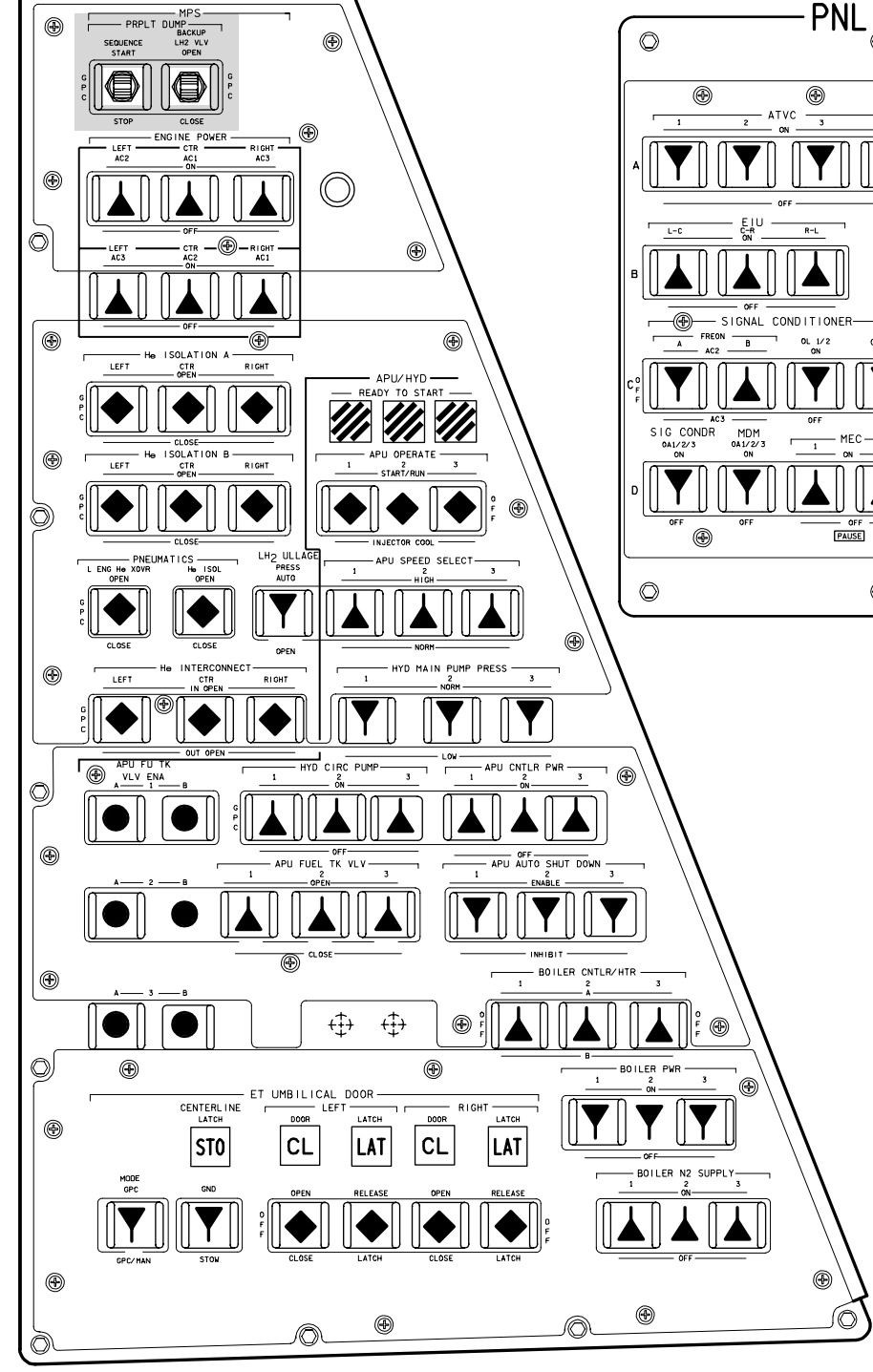
PNL 08



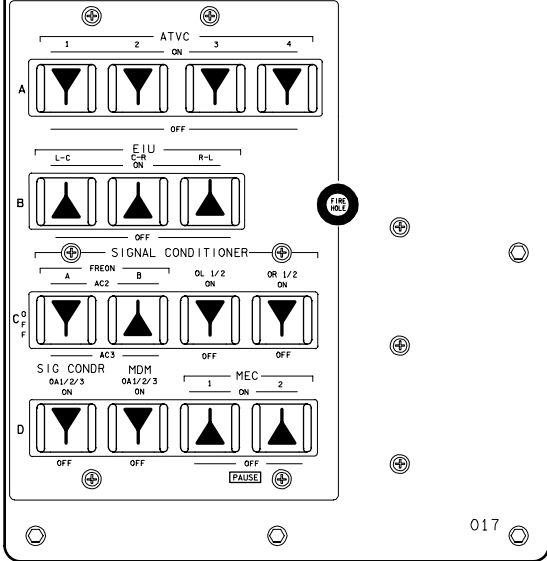
R side OVHD flood - R (MID)



OV104
PNL R2



PNL 017



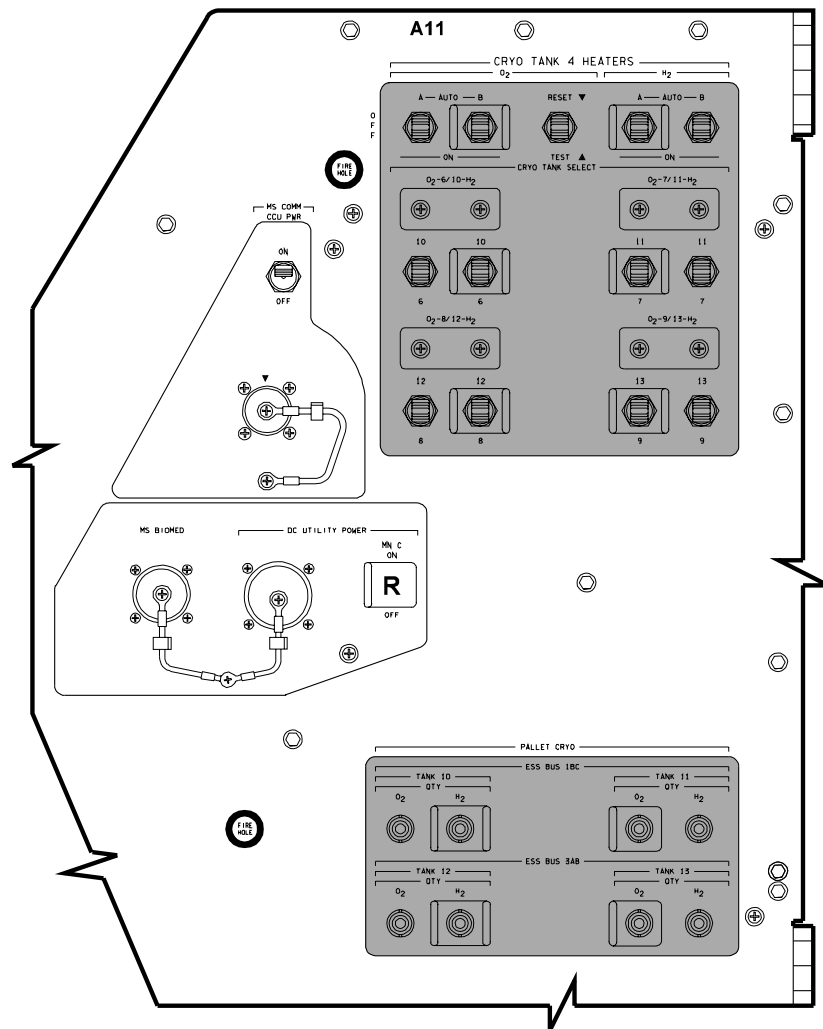
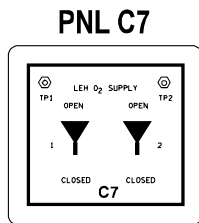
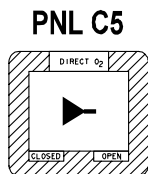
017

ALL VEH/DATE 11/29/04
48015C308_114, PNL, 5

OV104

(OV104) B3-8

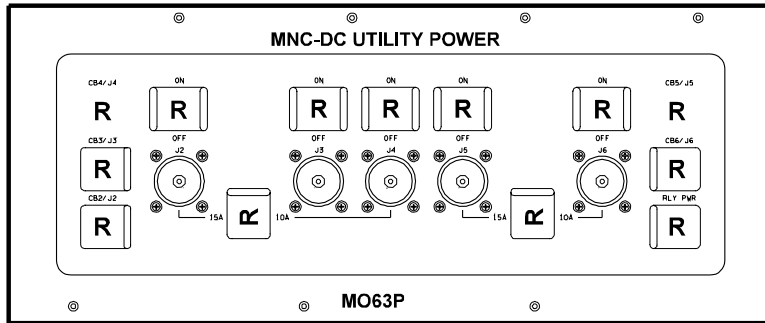
D/O/ALL/GEN P



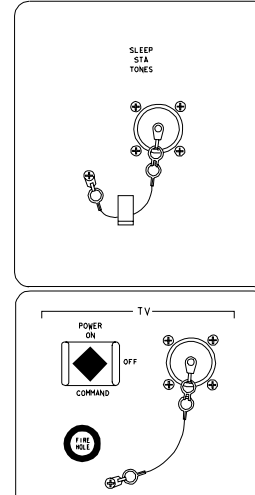
OV104

AIRLOCK HATCH

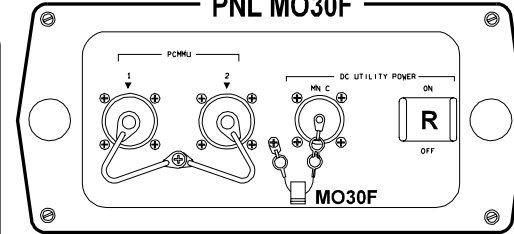
ACTUATOR HANDLE - LATCHED
 LOCK LEVER - LOCKED
 EQUALIZATION VLV (TWO) - NORM
 -CAPS INSTALLED



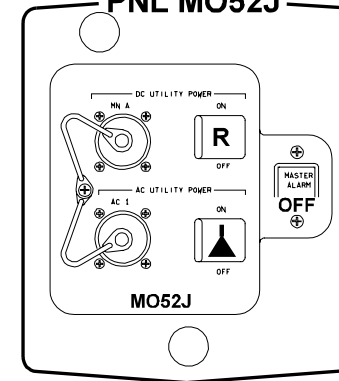
PNL MO58F



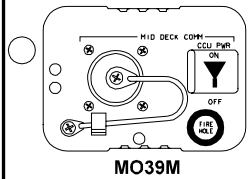
PNL MO30F



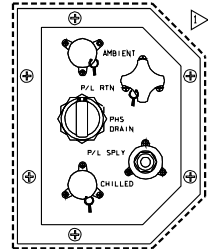
PNL MO52J



PNL MO39M



PNL MD24K

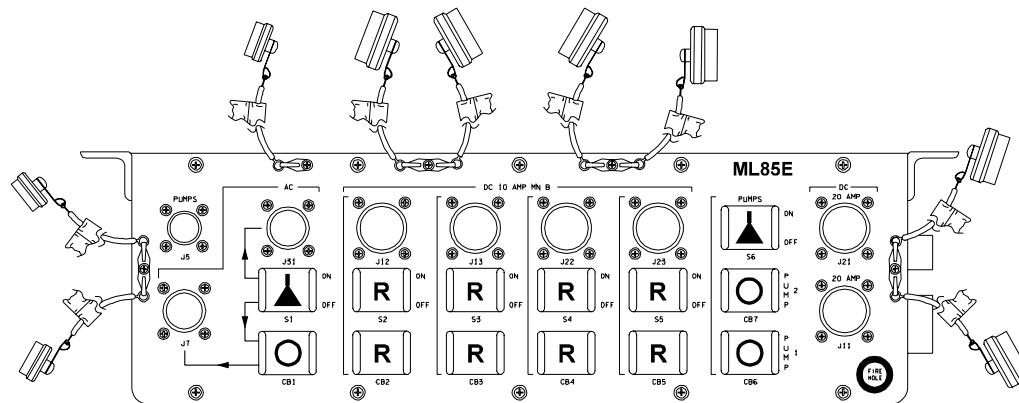


NOTE: ▷ NOT VISIBLE IF MAR FLOWN

PNL MD44F

CAB TEMP CNTL ACT LINKAGE - SECONDARY ACTUATOR

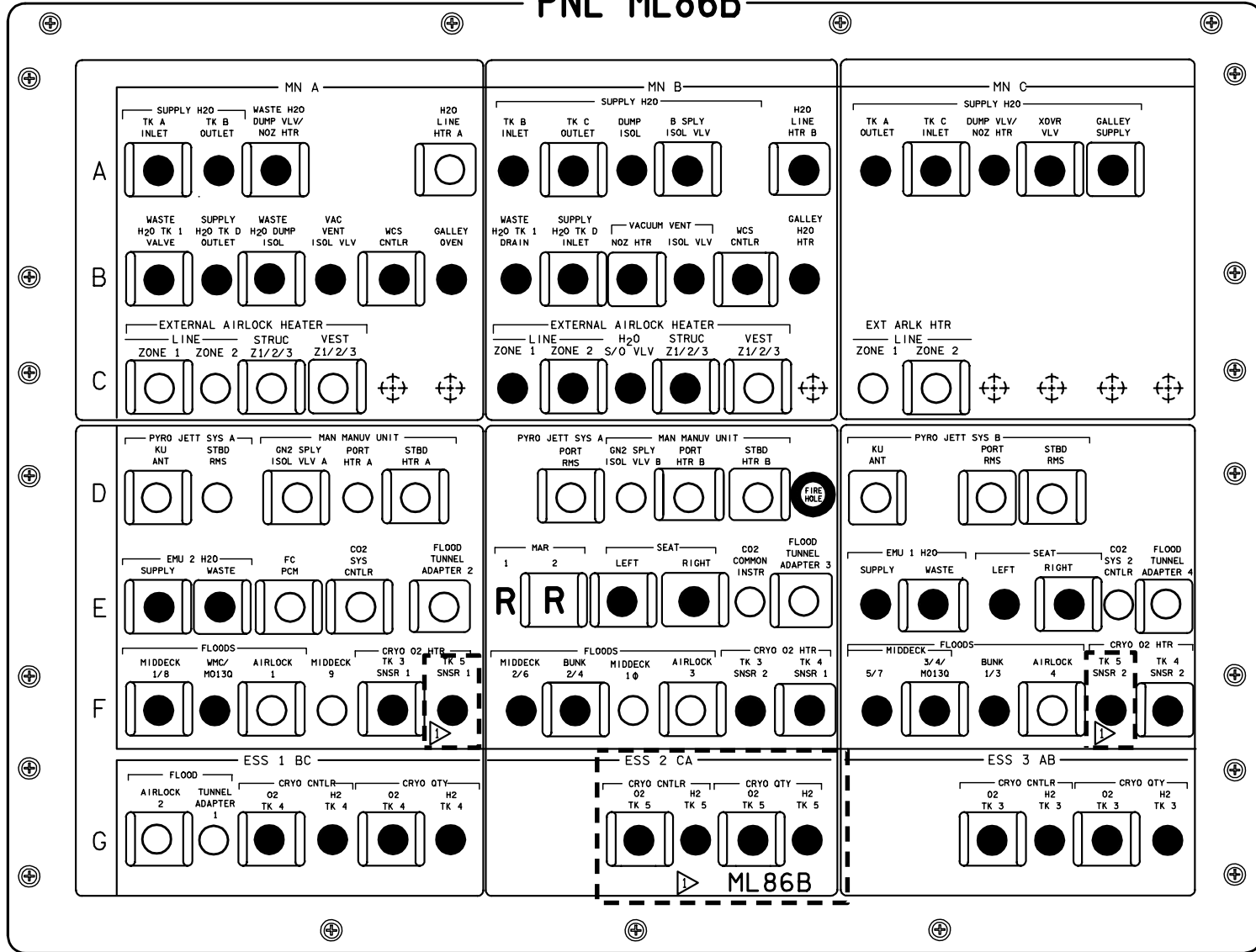
PNL ML85E



OV104

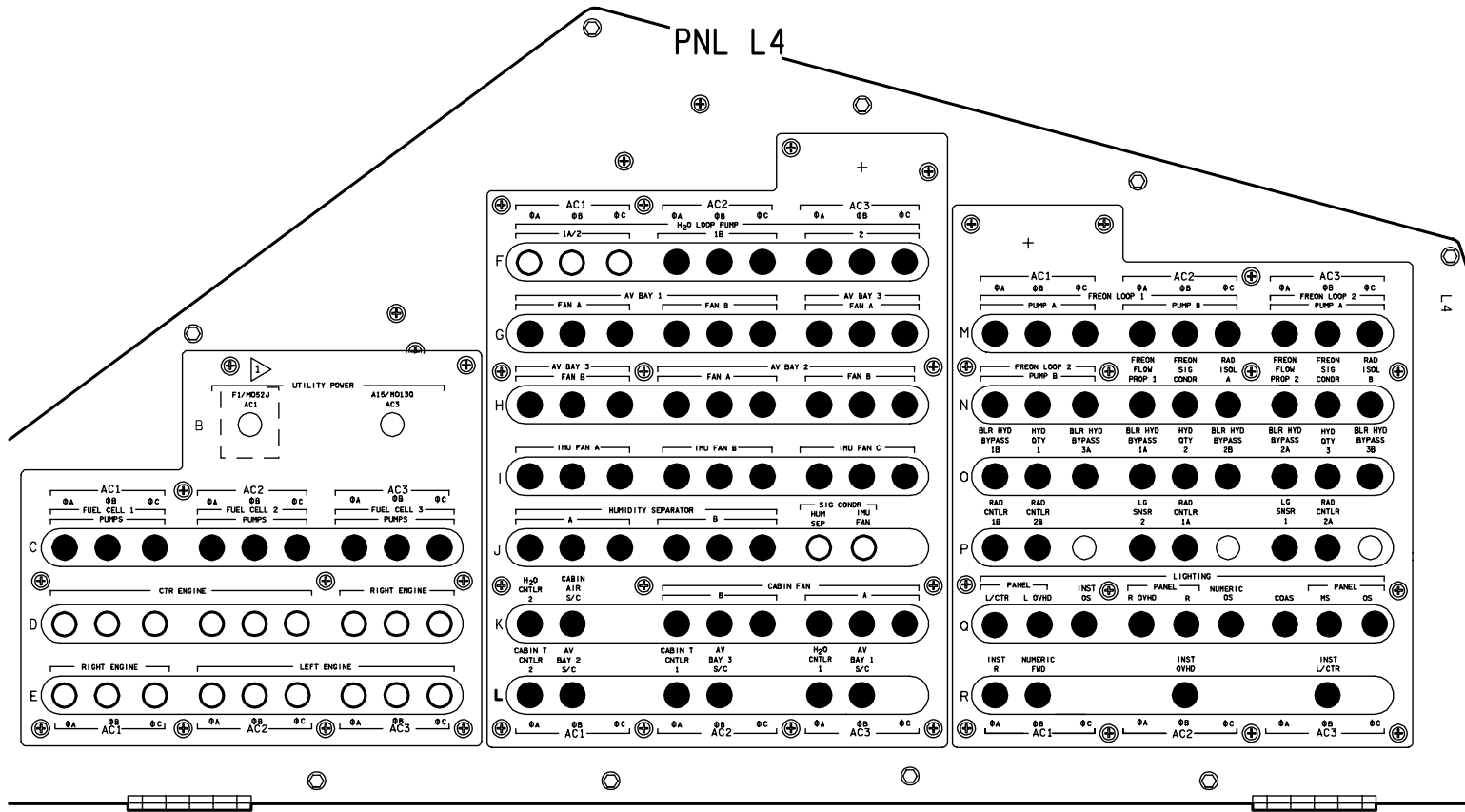
OV104

PNL ML86B

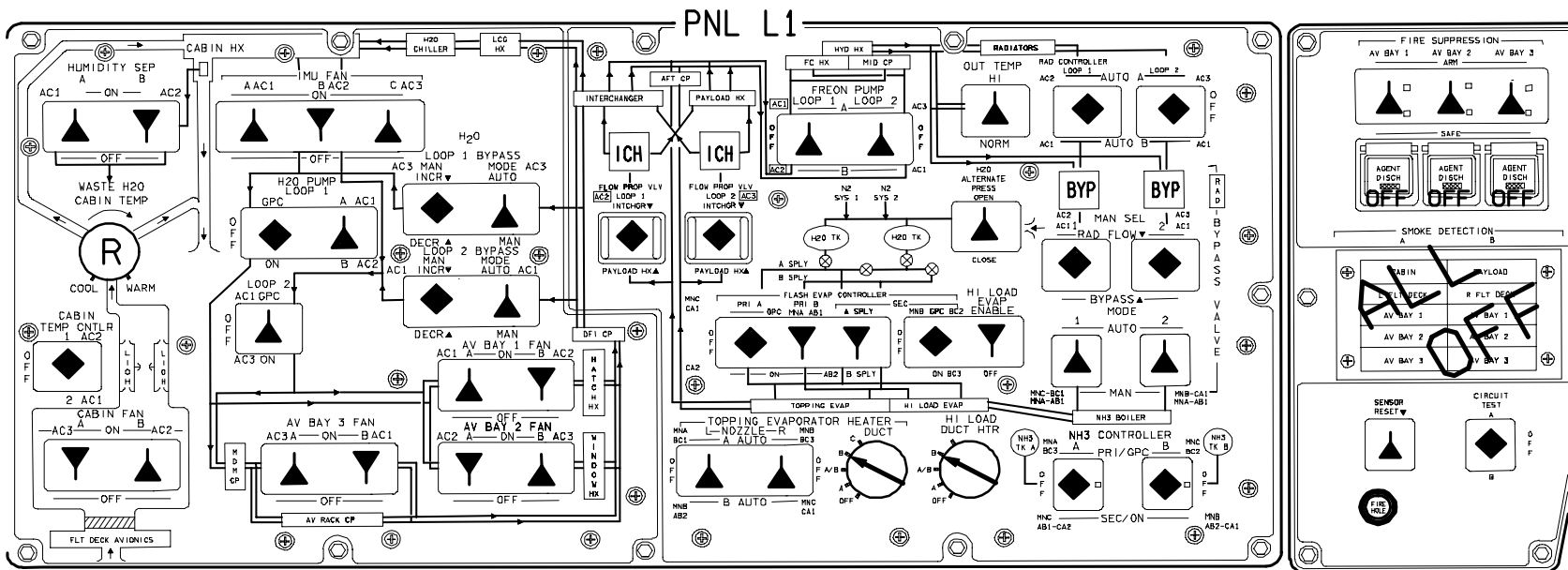


NOTE: ▷ OPEN IF TK 5 NOT FLOWN

OV104



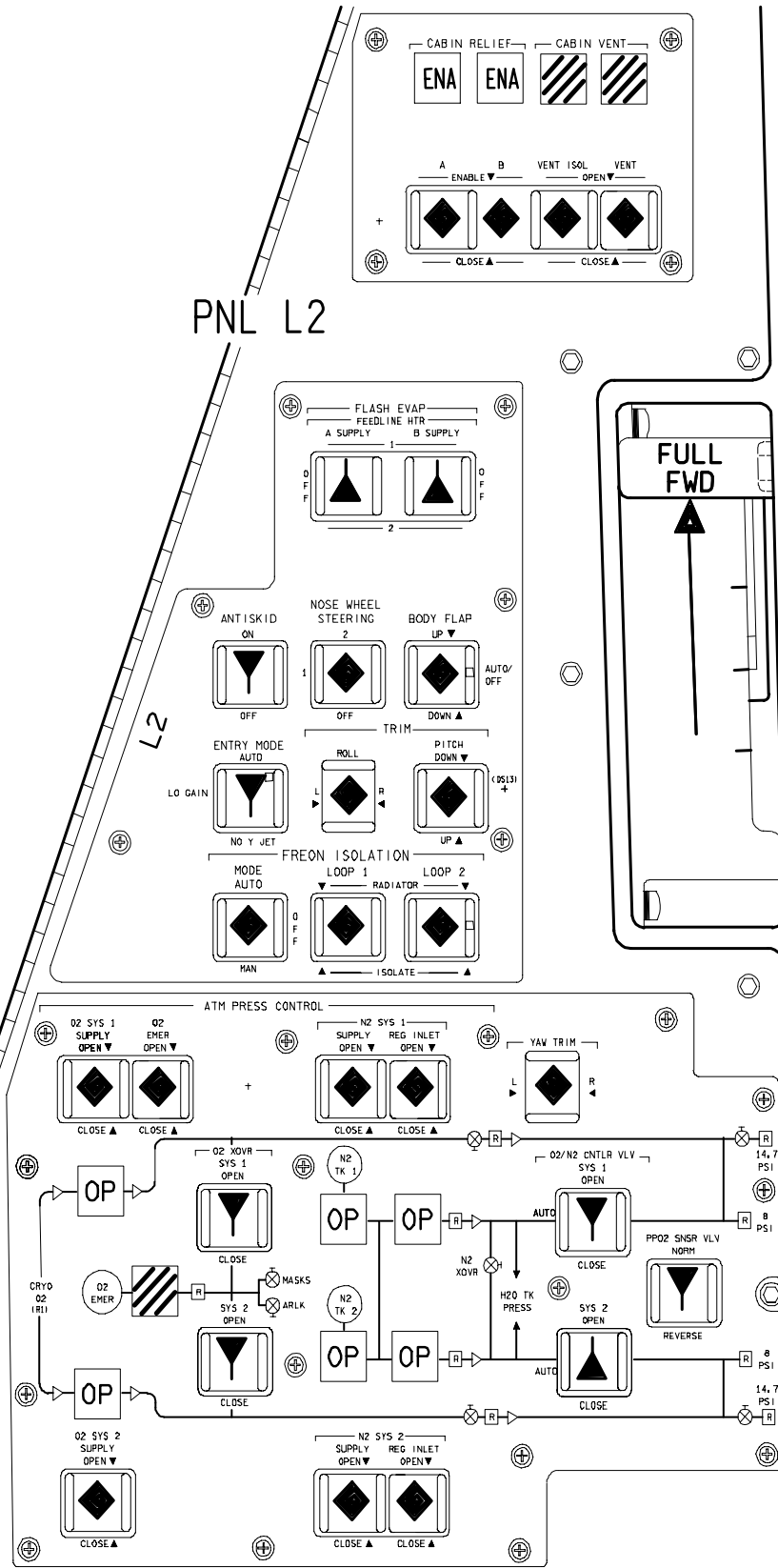
NOTE: ▷ CB CAN REMAIN CLOSED FOR AC PGSC USAGE.
 OPEN WHEN PGSC UNPOWERED/STOWED



OV104

OV104/DATE 12/10/02

PNL L2



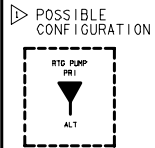
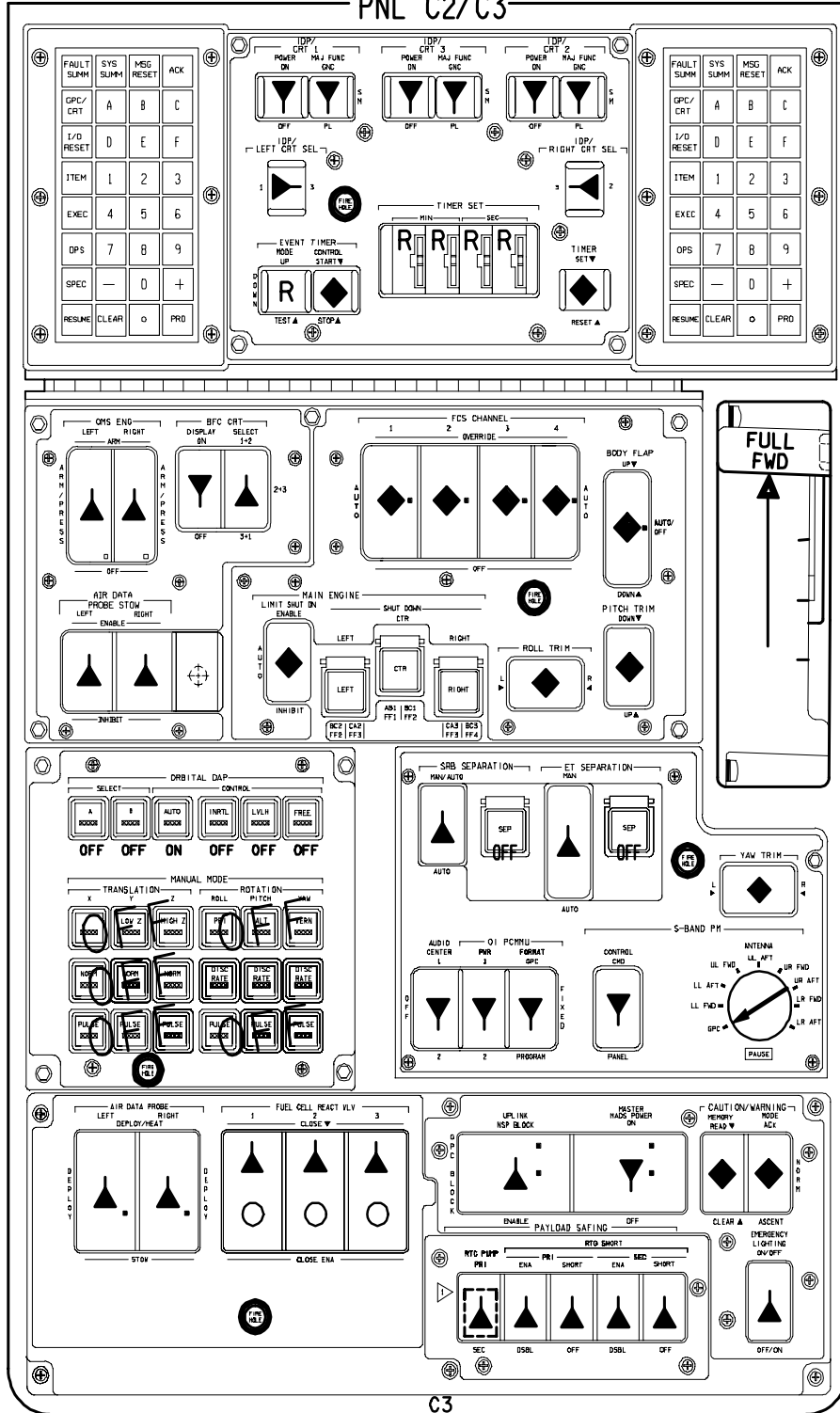
48015C315_114, PNL L2

OV104

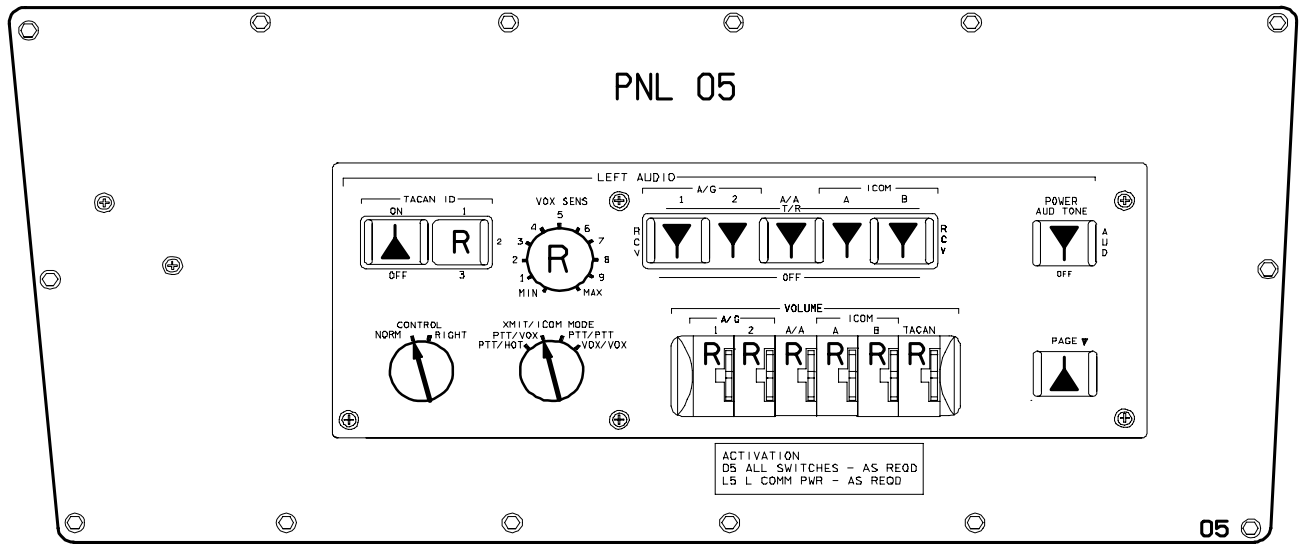
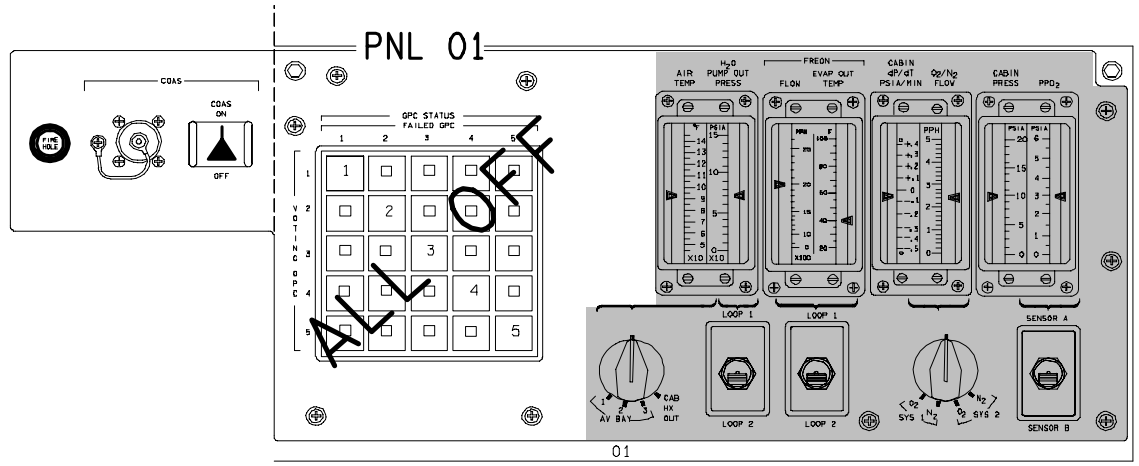
(OV104) B3-15

D/O/4/GEN P

PNL C2/C3

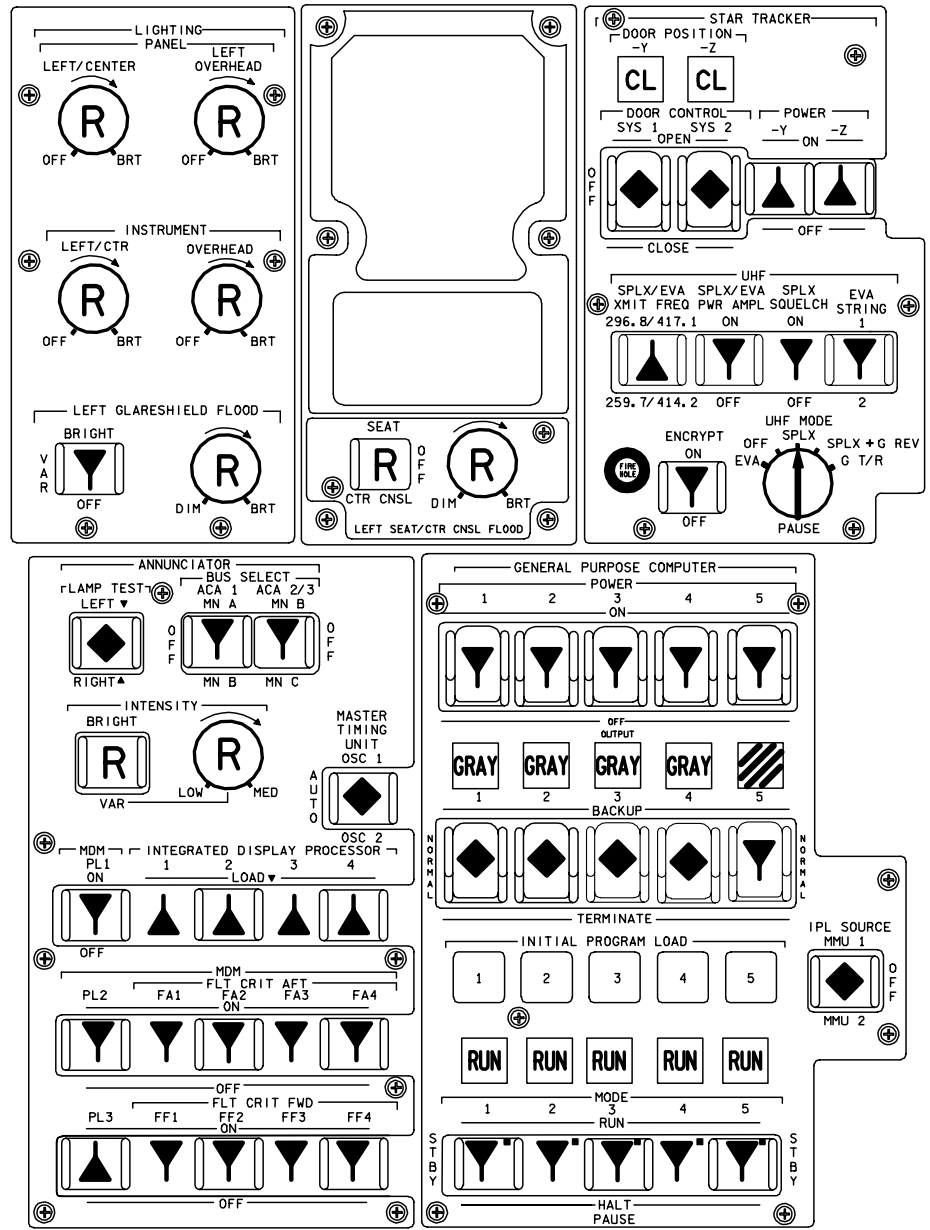


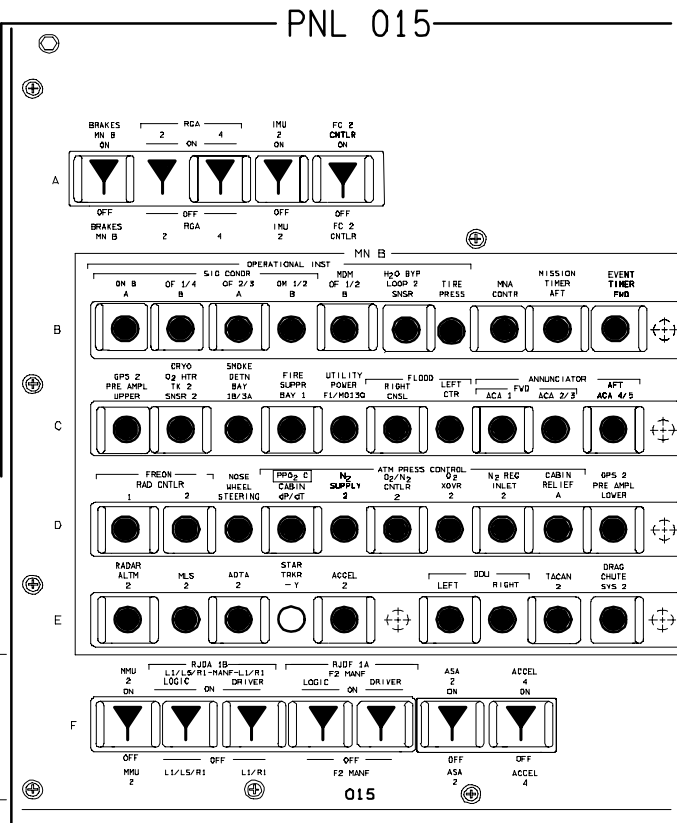
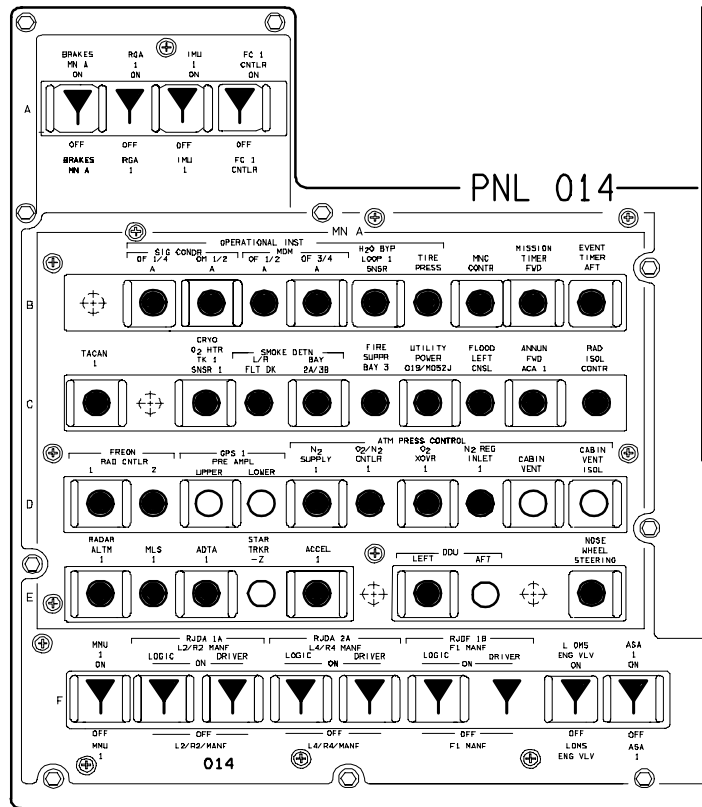
OV104/DATE 12/10/02
48015C315-11-4, PNL 1



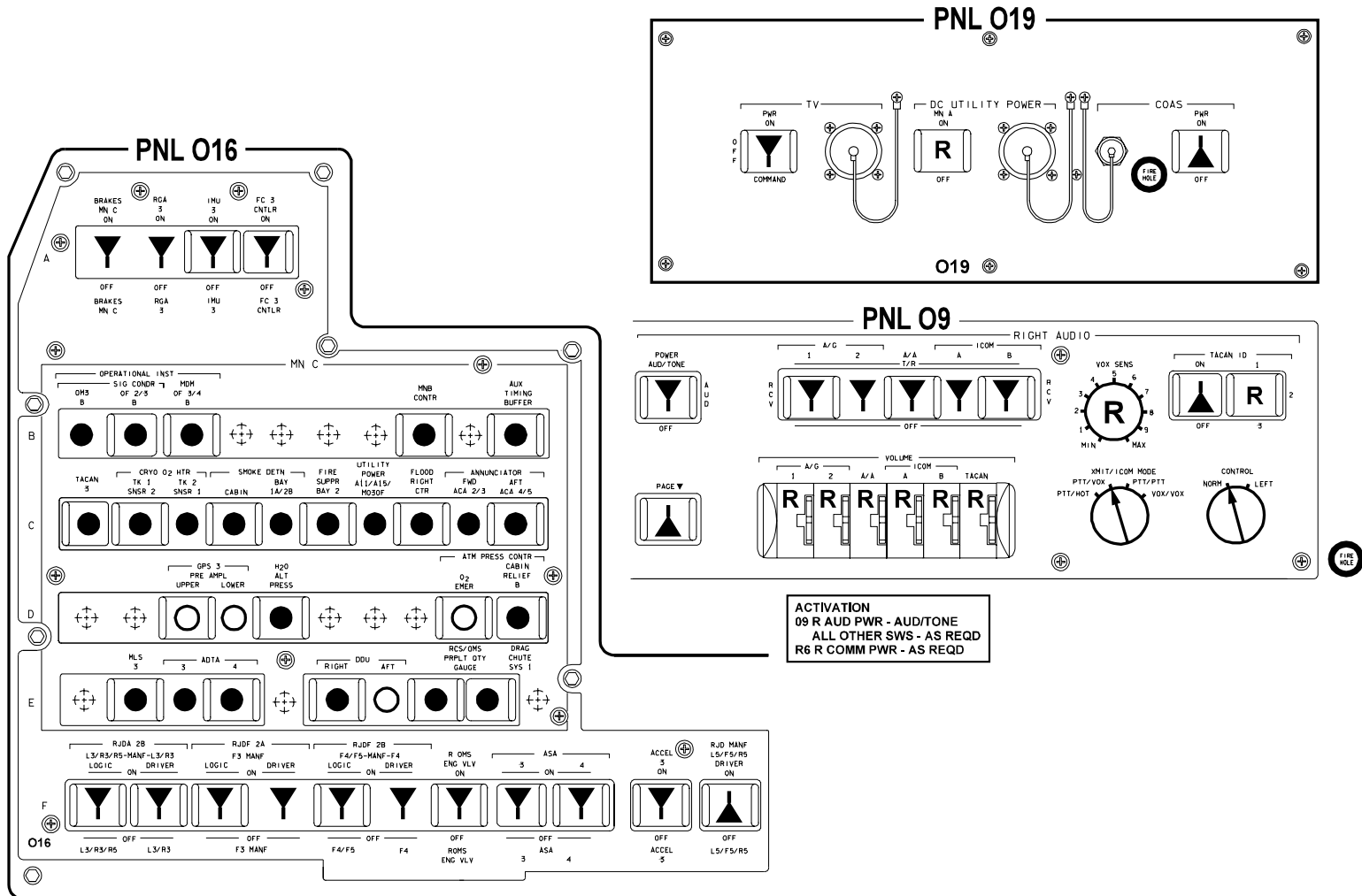
OV104

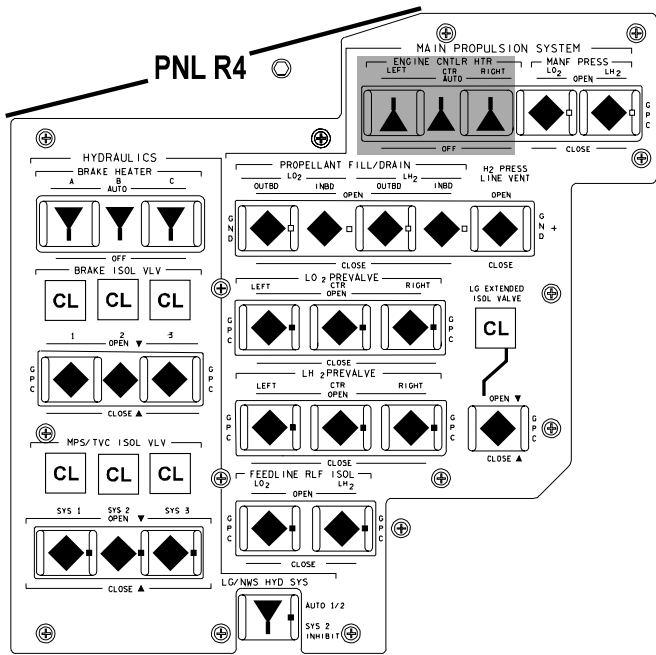
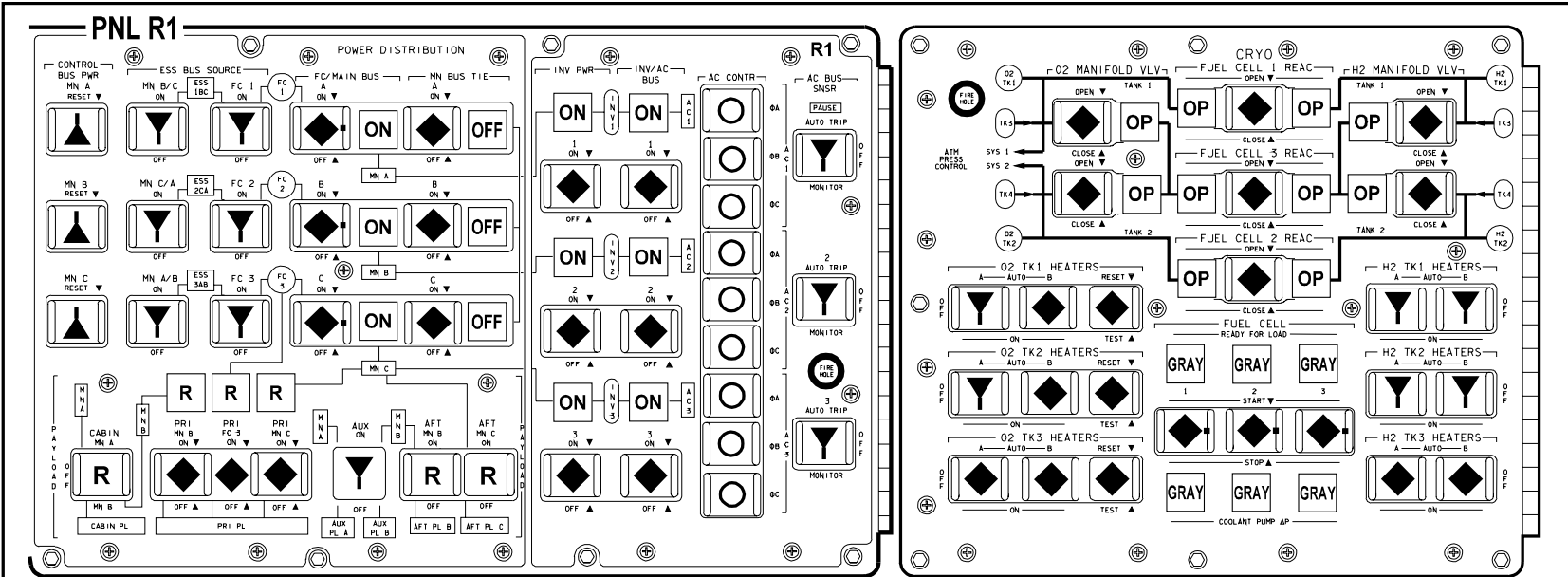
PNL 06





OV104





48015F321_115, PNL 1

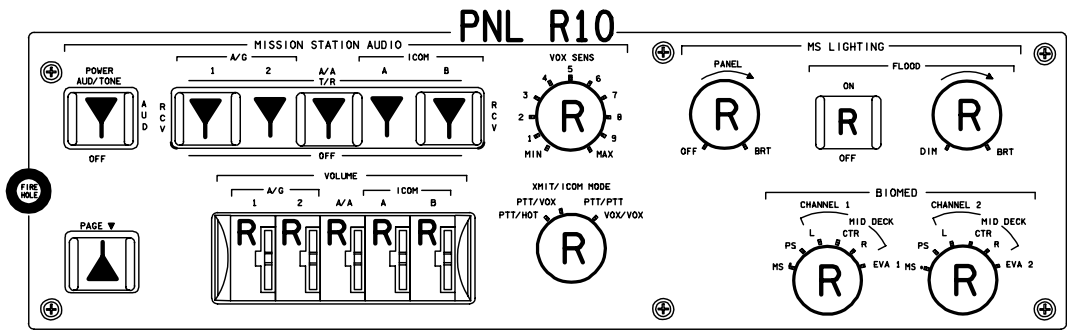
ALL VEH/DATE 06/27/06

(OV104) B3-21

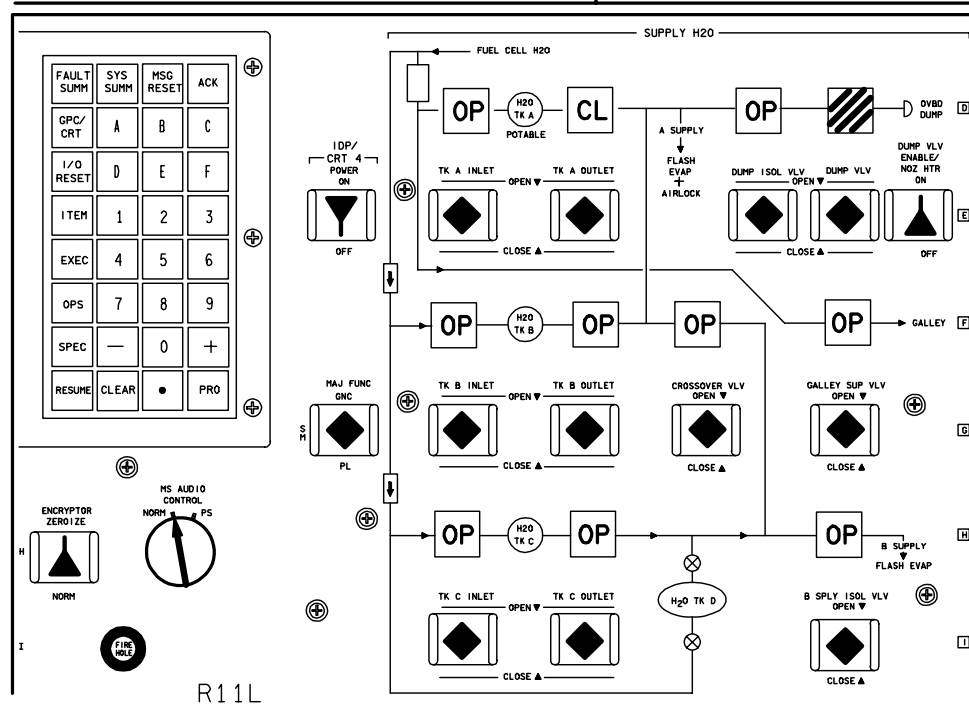
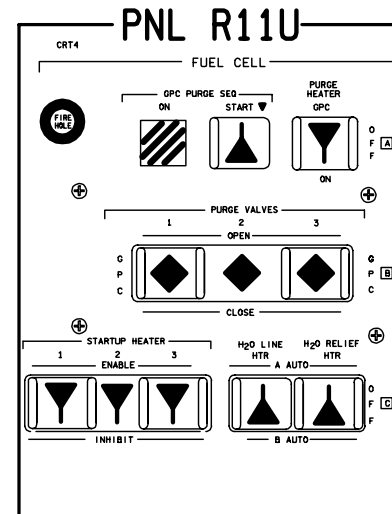
OV104

D/O/ALL/GEN P

OV104

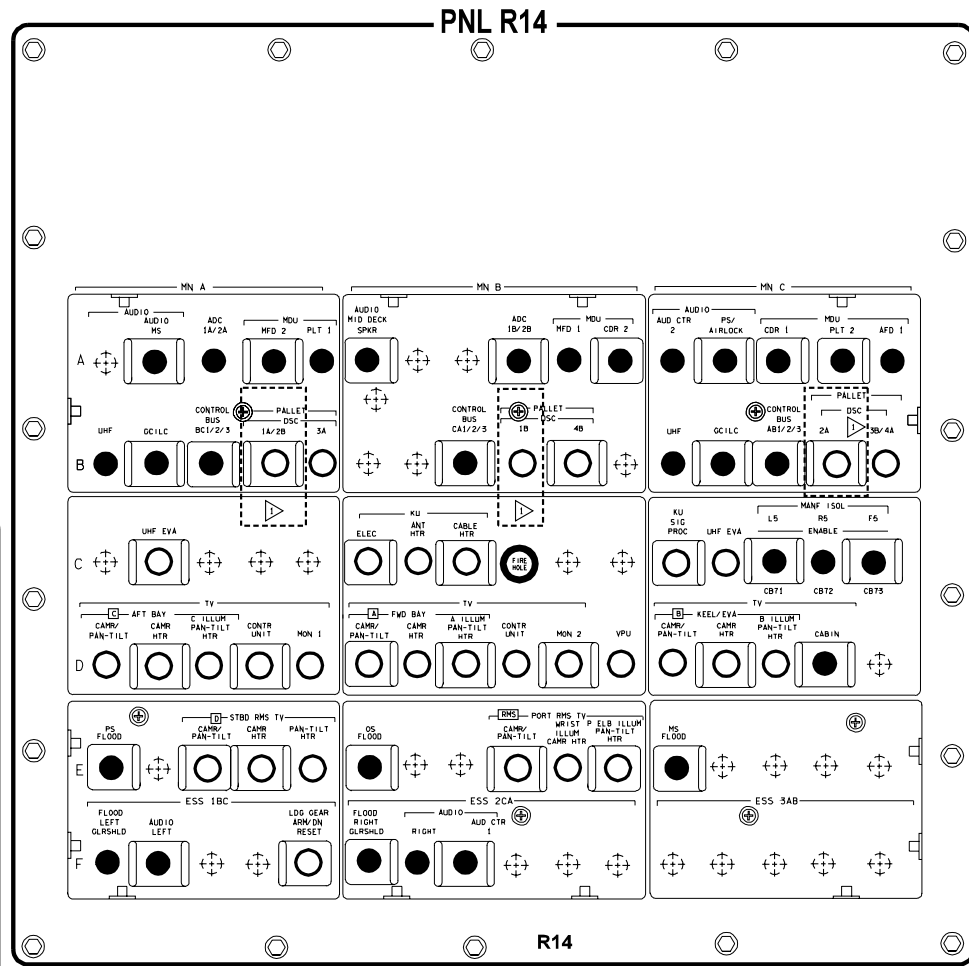
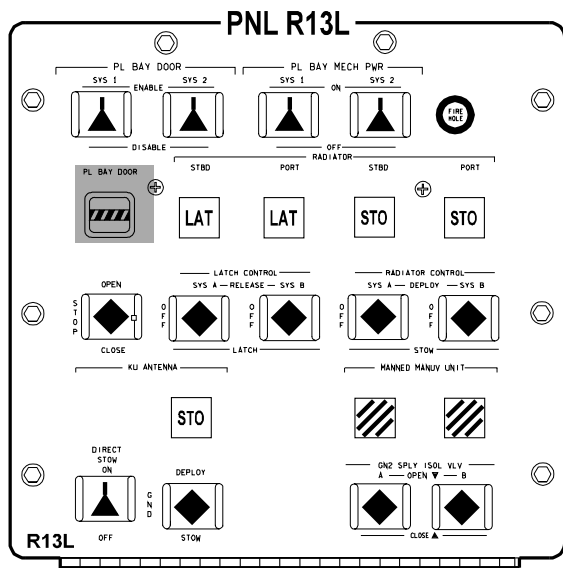


ACTIVATION
 R10 MS AUD PWR - AUD/TONE
 ALL OTHER SWS - AS REQD
 R12 MS AUD CONTL - NORM
 A11 MS COMM CCU PWR - ON

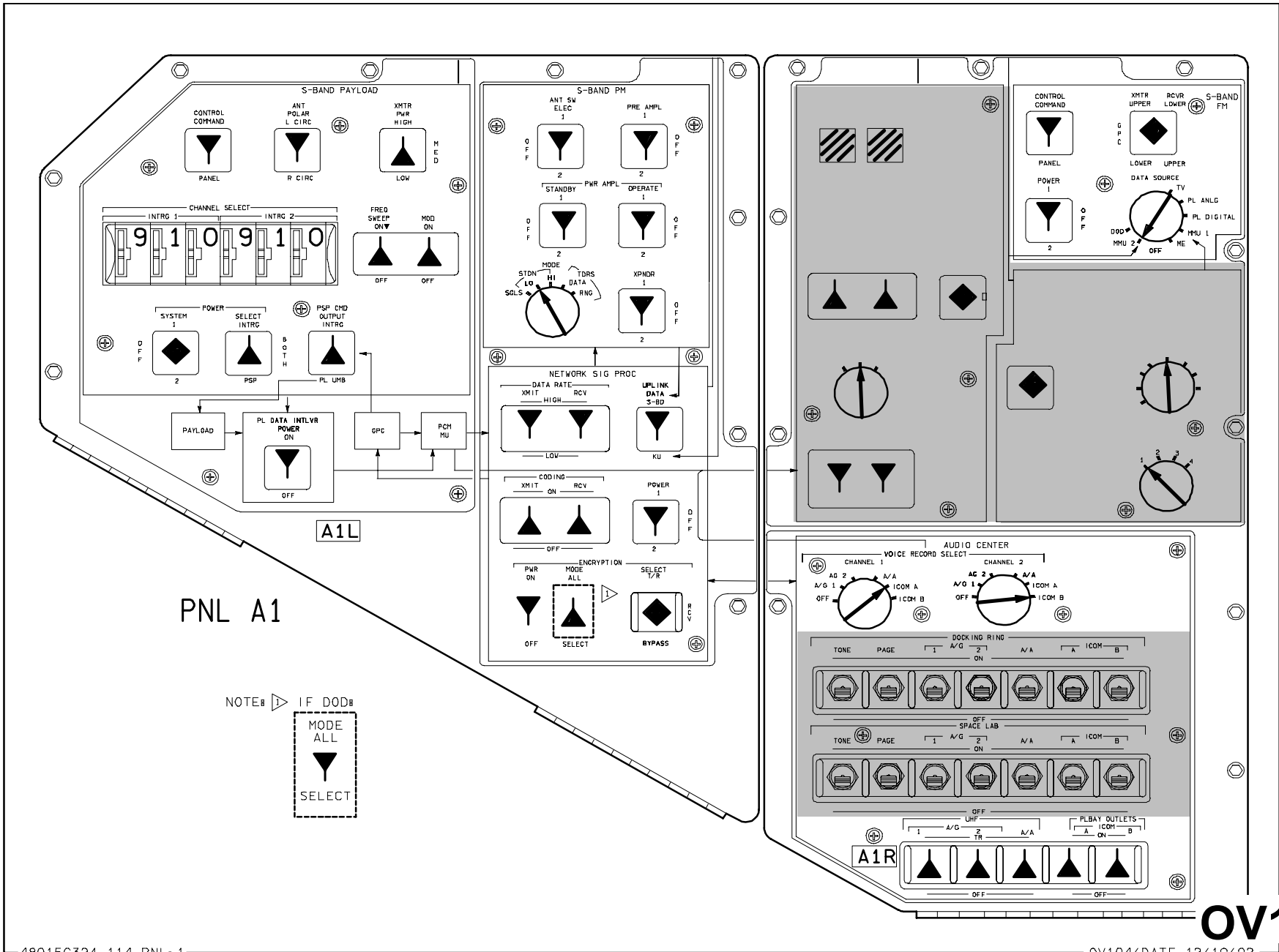


OV104

OV104



NOTE: ▷ CLOSED IF EDO

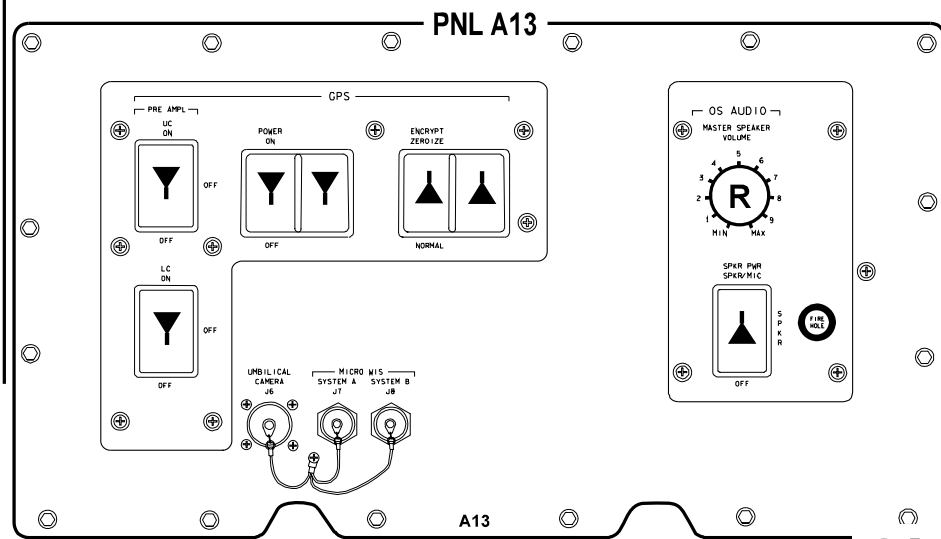
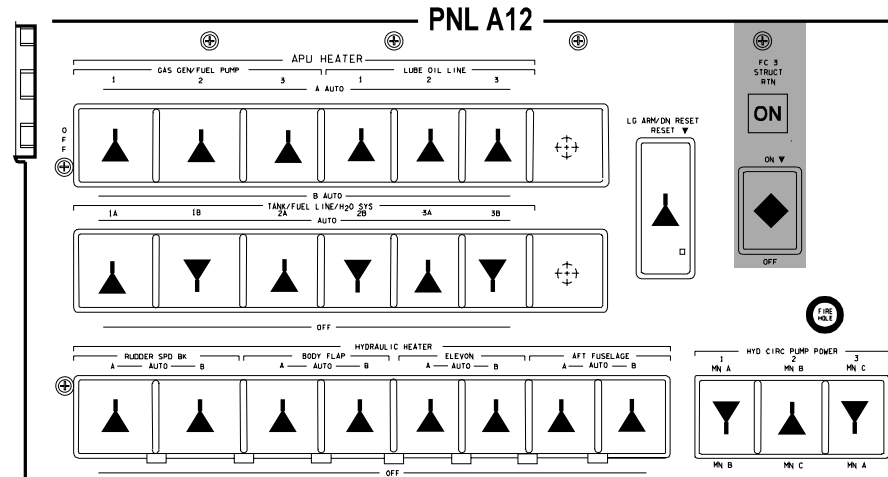
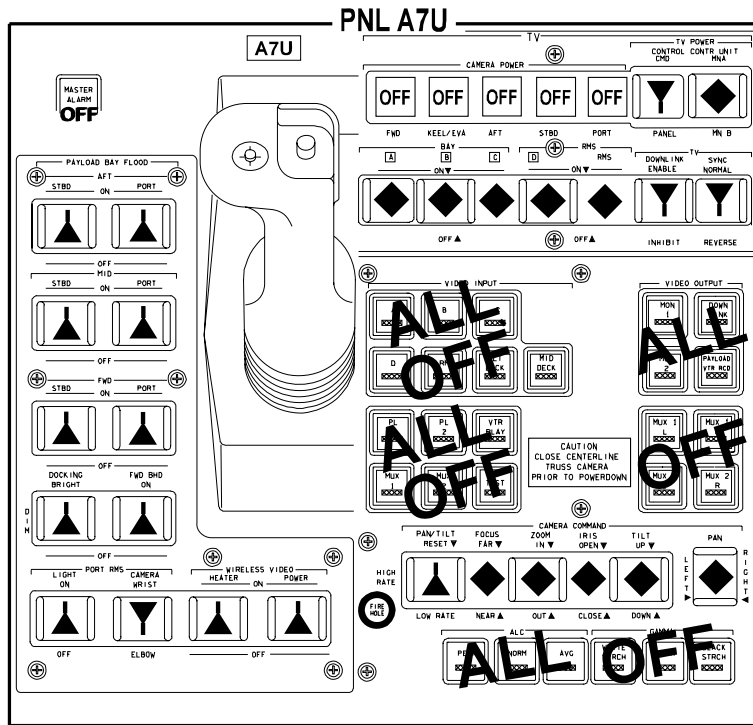


PNL A1

NOTE: IF DOD
 MODE ALL
 SELECT

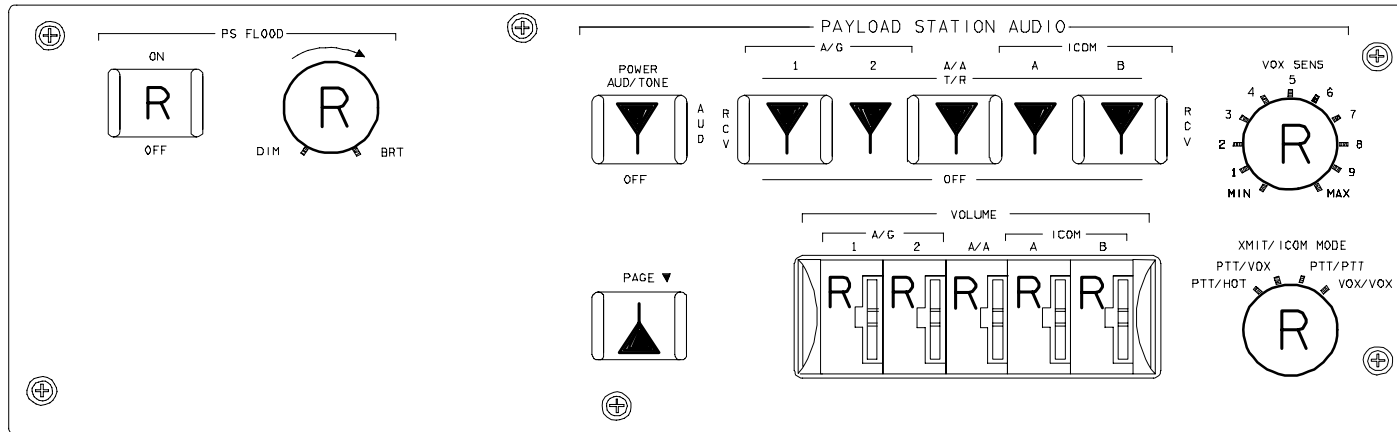
OV104

OV104



OV104

PNL L9



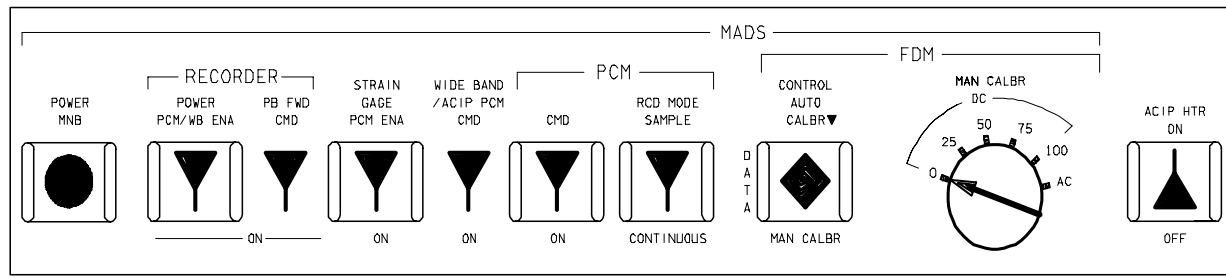
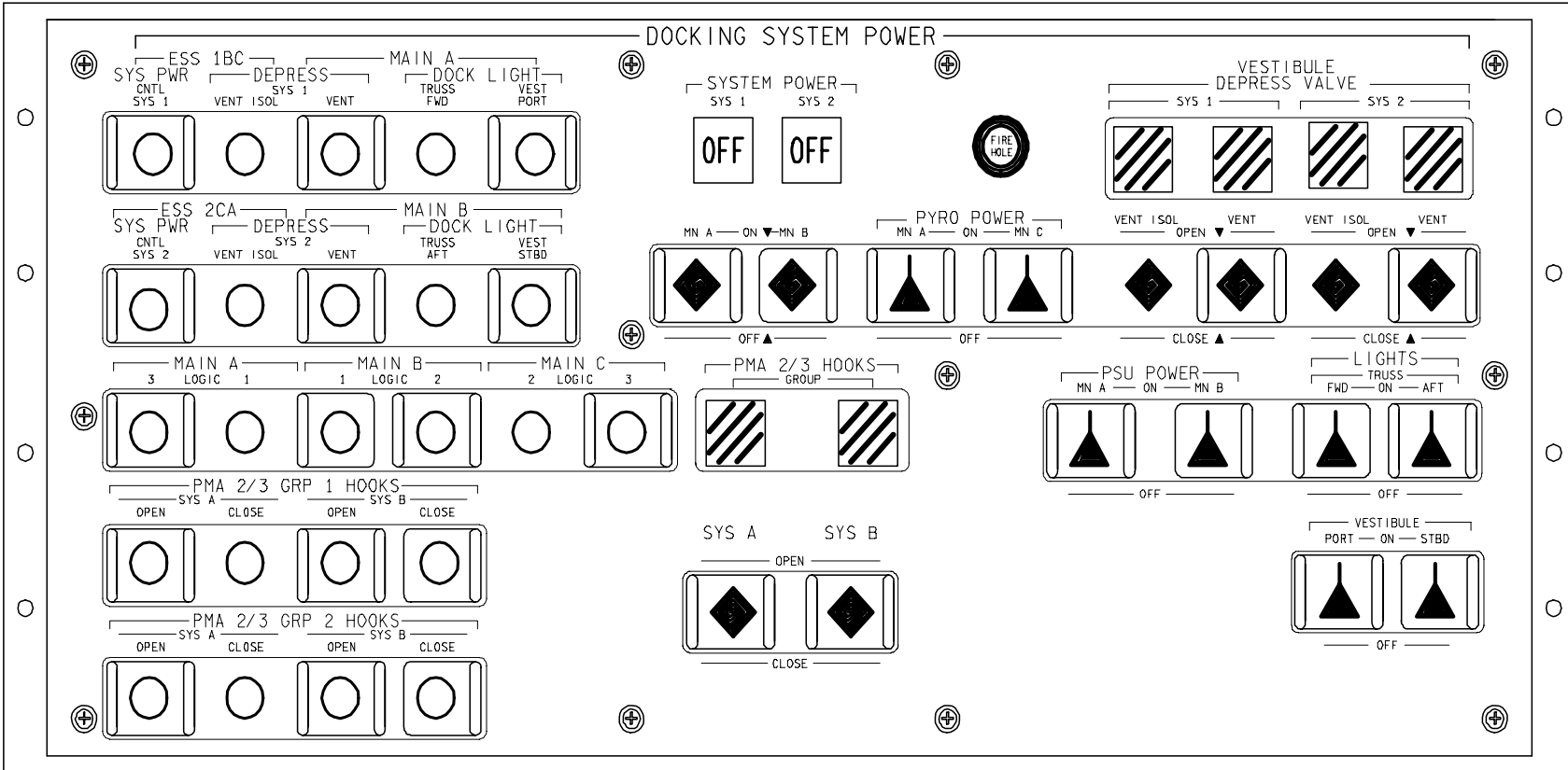
ACTIVATION
 L9 ALL SWITCHES - AS REQD
 A15 PS COMM CCU PWR - ON

L9

OV104

OV104

PNL A6L



OV104

OV104

CONTROL PANEL POWER

A ON OFF B ON OFF C ON OFF

HEATERS/DCU POWER

H1 ON OFF H2/DCU ON OFF H3/DCU ON OFF

APDS POWER

A_{Ds} ON OFF B_{Ds} ON OFF C_{Ds} ON OFF

STATUS

POWER	ON	INITIAL	CONTACT
APDS PROTECT	CIRCUIT OFF	CAPTURE	CAPTURE
RING	ALIGNED	RING	FORWARD POSITION
RING	INITIAL POSITION	TO HOOK	
FIXERS	OFF	INTER	SEALED
HOOKS 1	OPEN	HOOKS 1	CLOSED
HOOKS 2	OPEN	HOOKS 2	CLOSED
LATCHES	CLOSED	LATCHES	OPEN
UNDOCK	COMPLET	RING	FINAL POSITION

PYROS

A_p ON OFF B_p ON OFF C_p ON OFF

Ap OFF Cp

FIRE HOLE

PYRO PROTECT **CIRCUIT OFF**

PYRO COMMANDS

PYRO CIRC PROT OFF PYRO CIRC PROT ON

ACT HOOKS FIRING PAS HOOKS FIRING

APDS CONTROL COMMANDS

OPEN HOOKS OPEN LATCHES

UNDOCKING

A_{Ds} OFF B_{Ds} C_{Ds}

LAMP TEST

PNL A7L

APDS CONTROL COMMANDS

POWER ON	POWER OFF	RING OUT	RING IN
----------	-----------	----------	---------

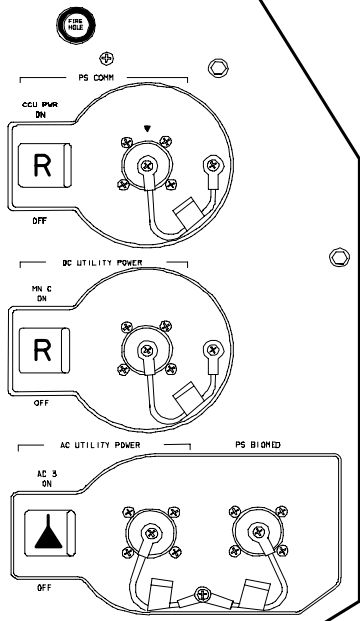
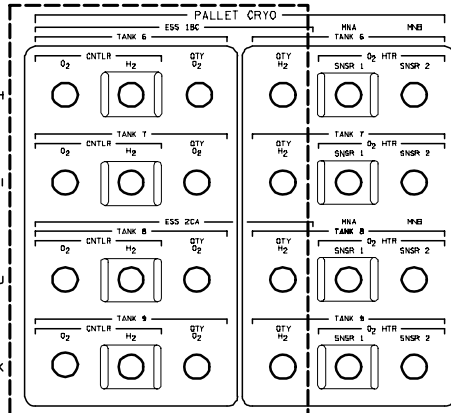
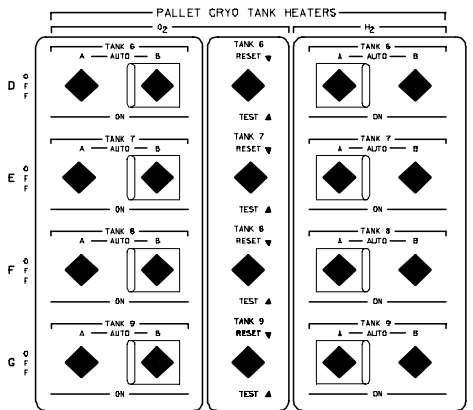
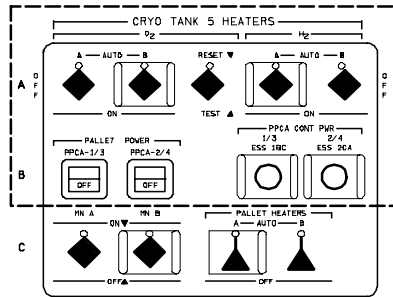
APDS CIRC PROT OFF	CLOSE HOOKS	CLOSE LATCHES	FIXER OFF
--------------------	-------------	---------------	-----------

APDS CONTROL PANEL

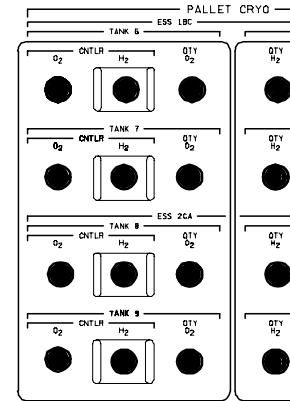
OV104

OV104

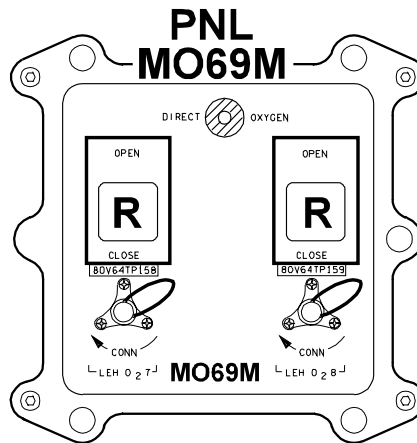
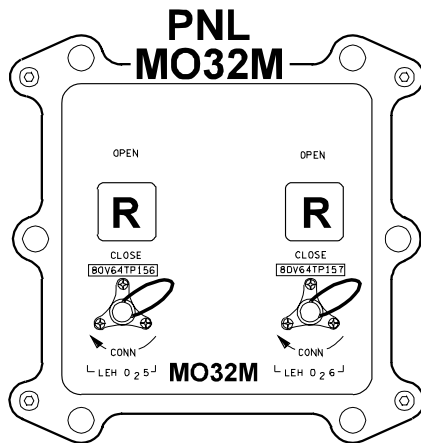
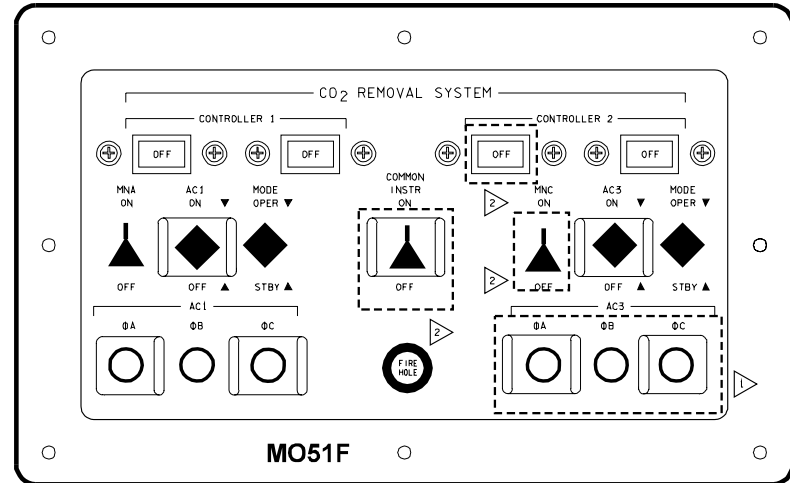
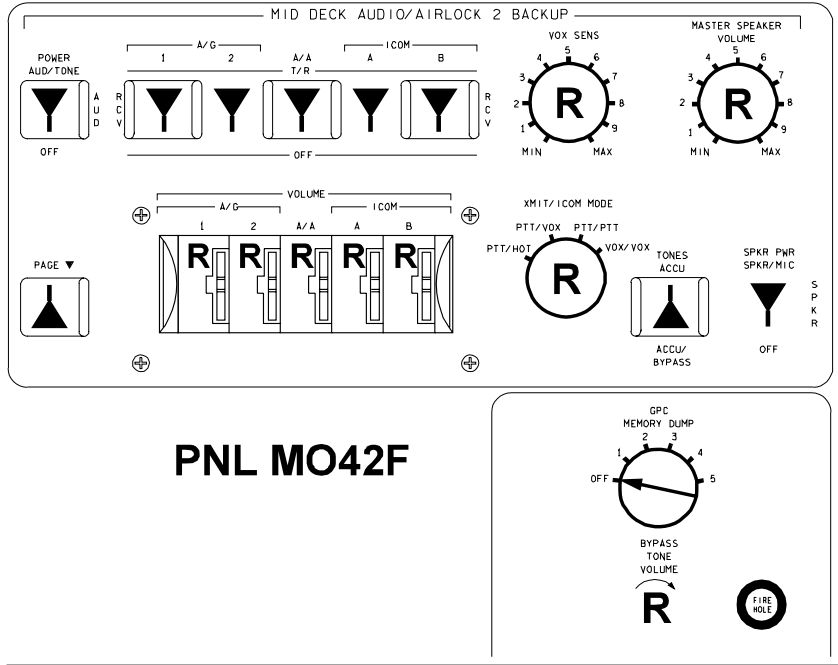
A15



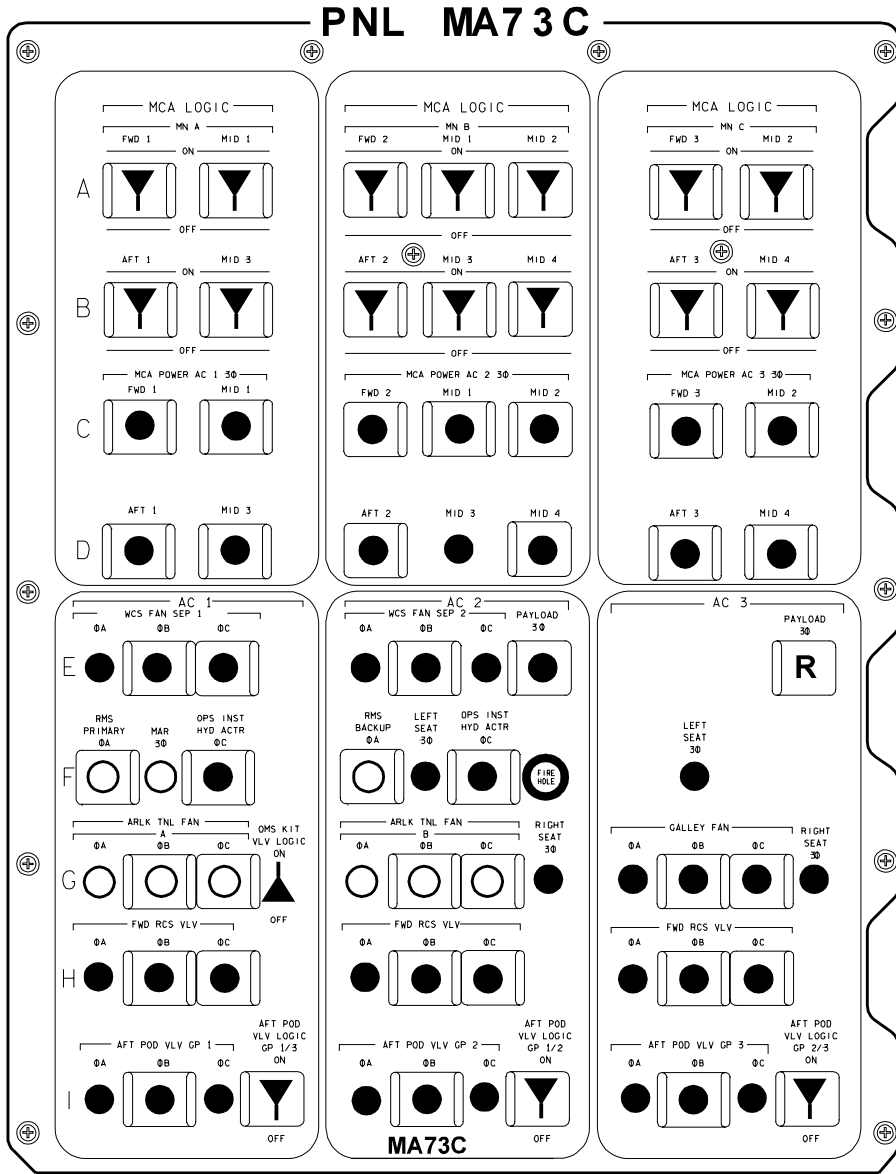
▶ cbs CLOSED FOR EDO MISSIONS

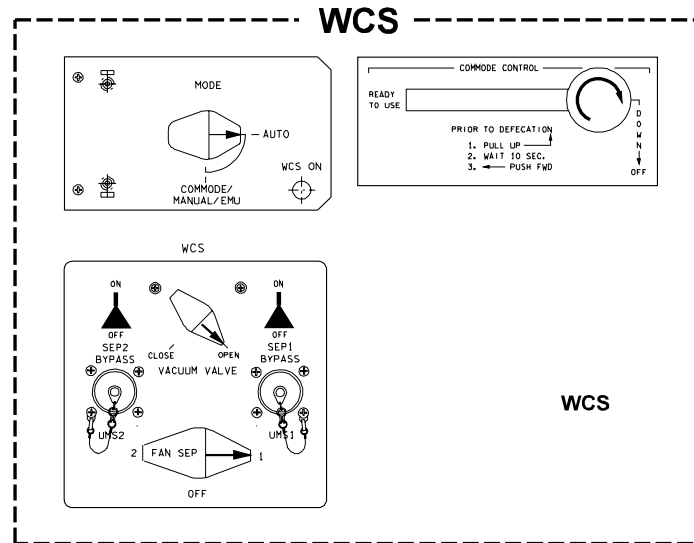
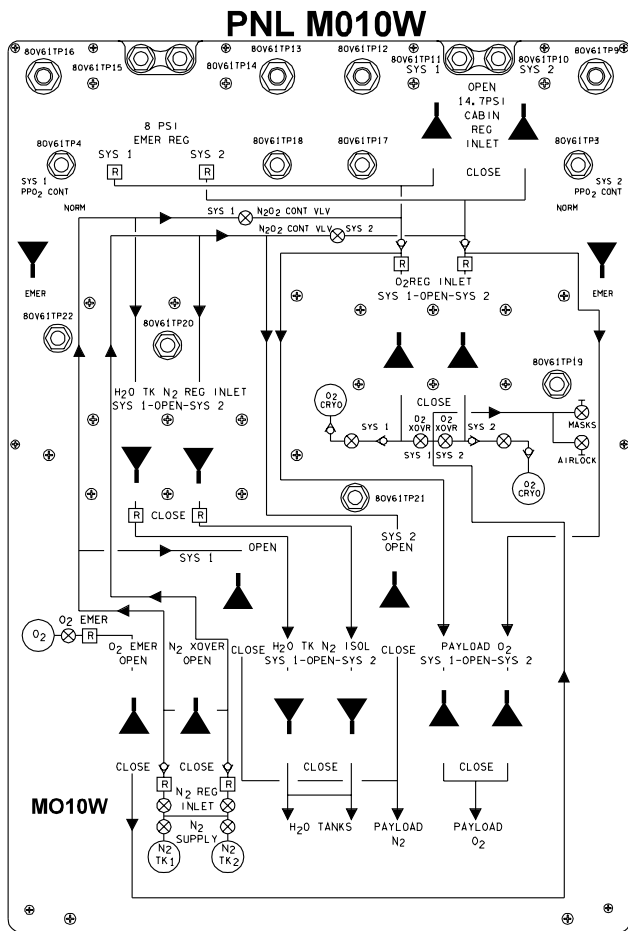


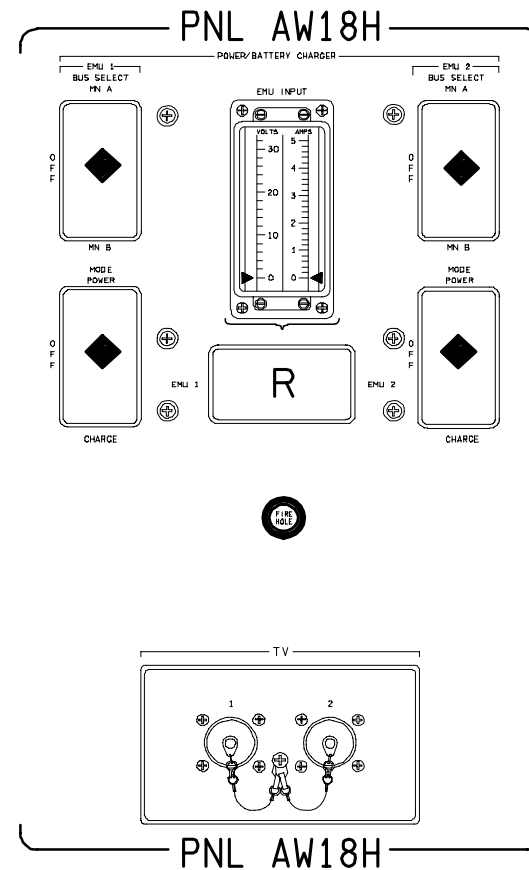
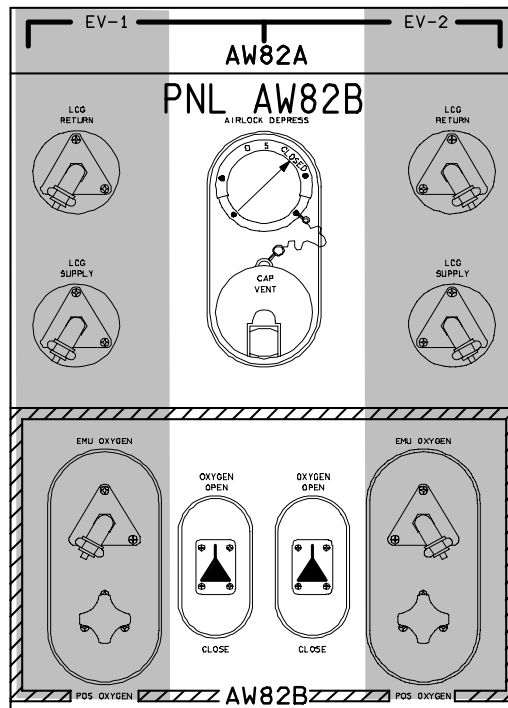
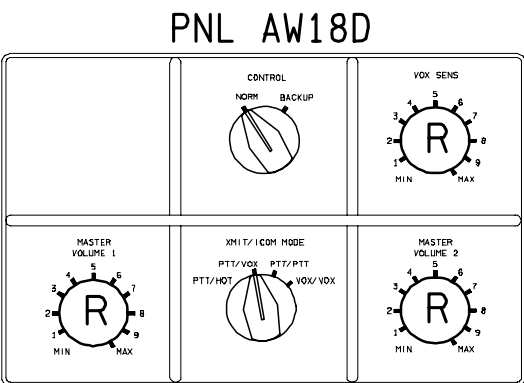
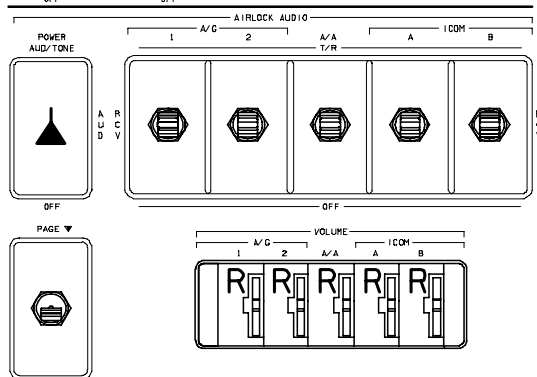
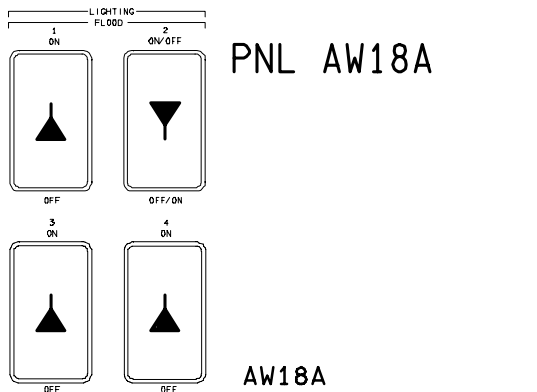
OV104



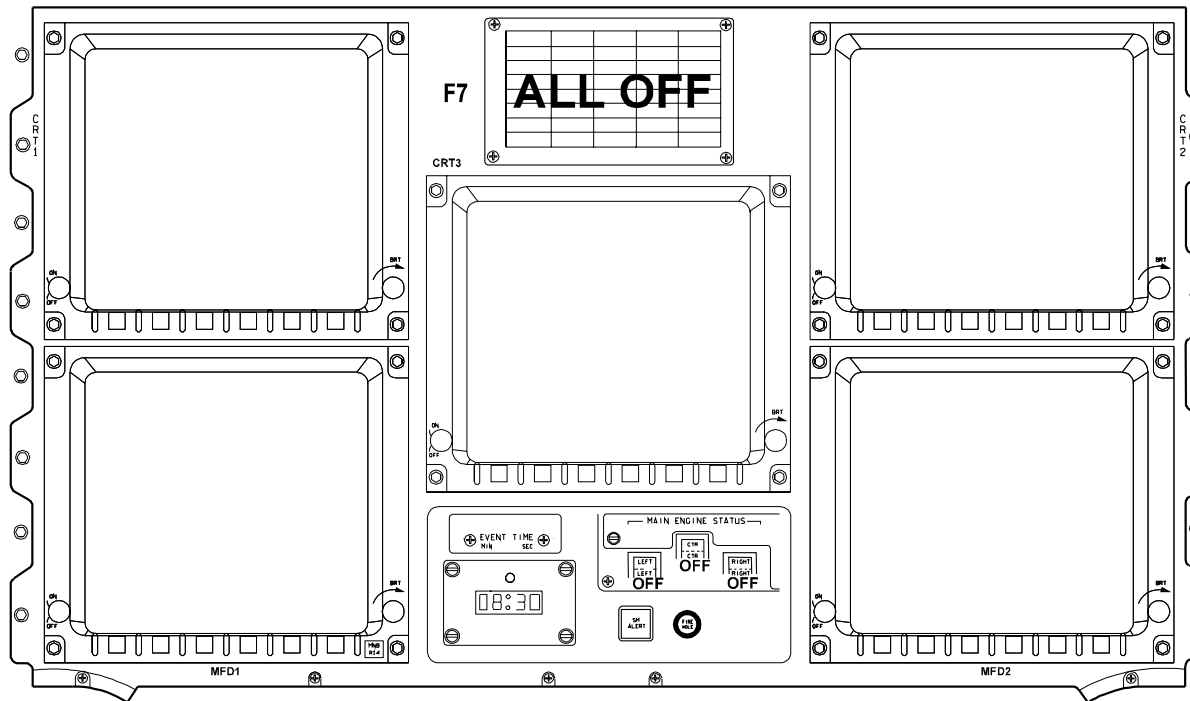
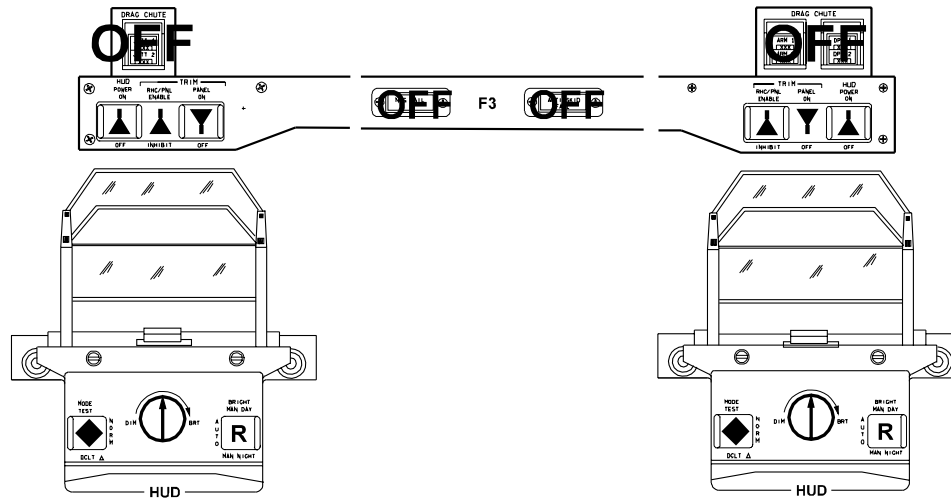
NOTES: ▷ CLOSED IF CO2 RMVL SYS FLOWN
▷ ON IF CO2 RMVL SYS FLOWN



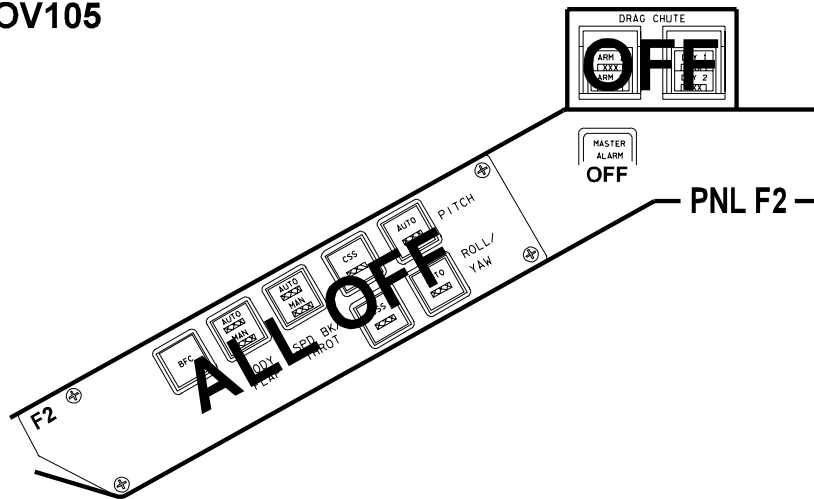




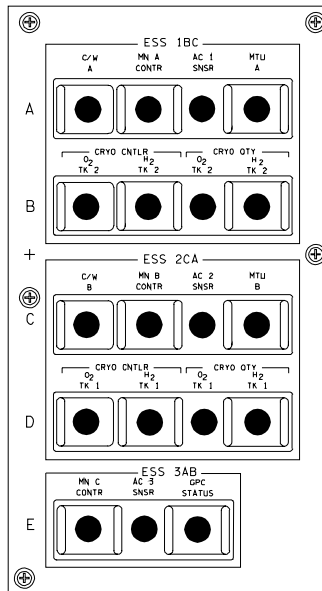
OV105



OV105

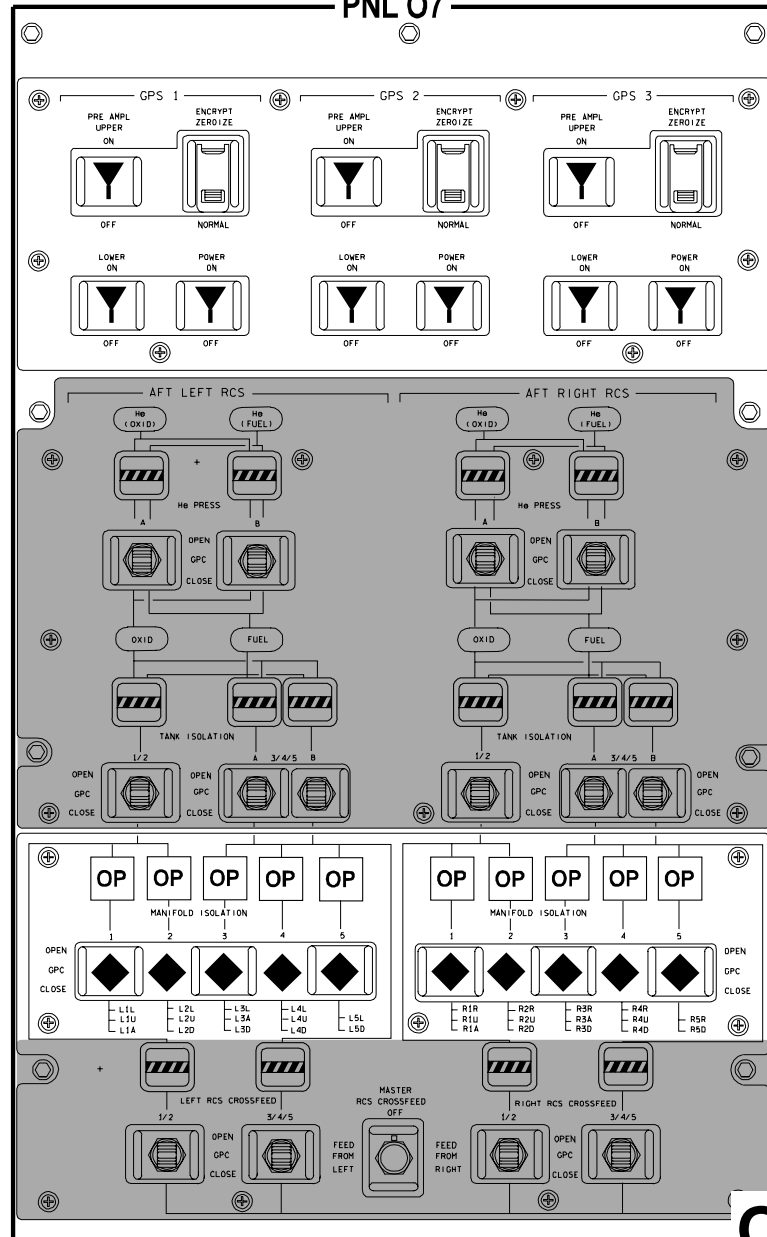


PNL 013



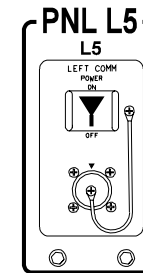
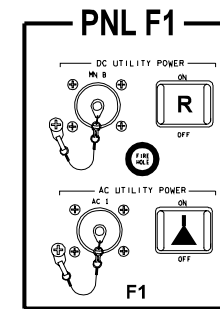
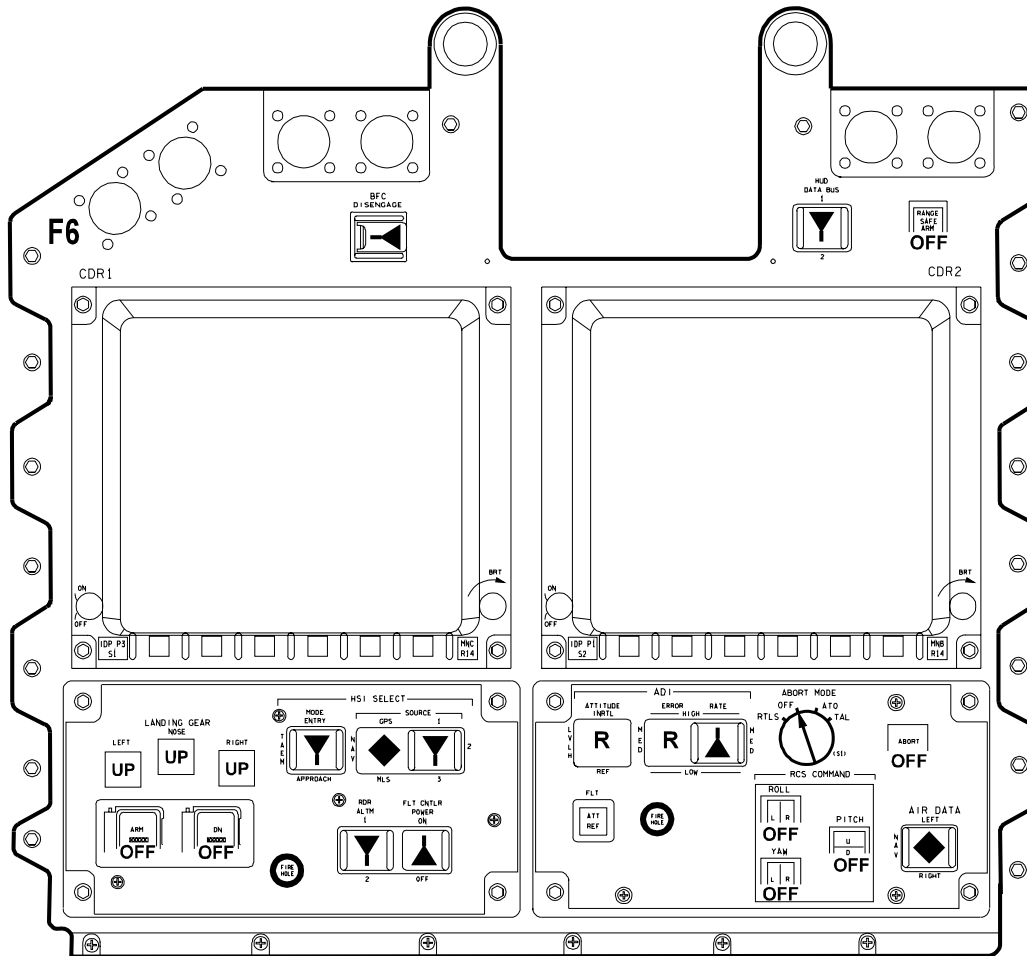
L side OVHD flood - R (MID)

PNL 07



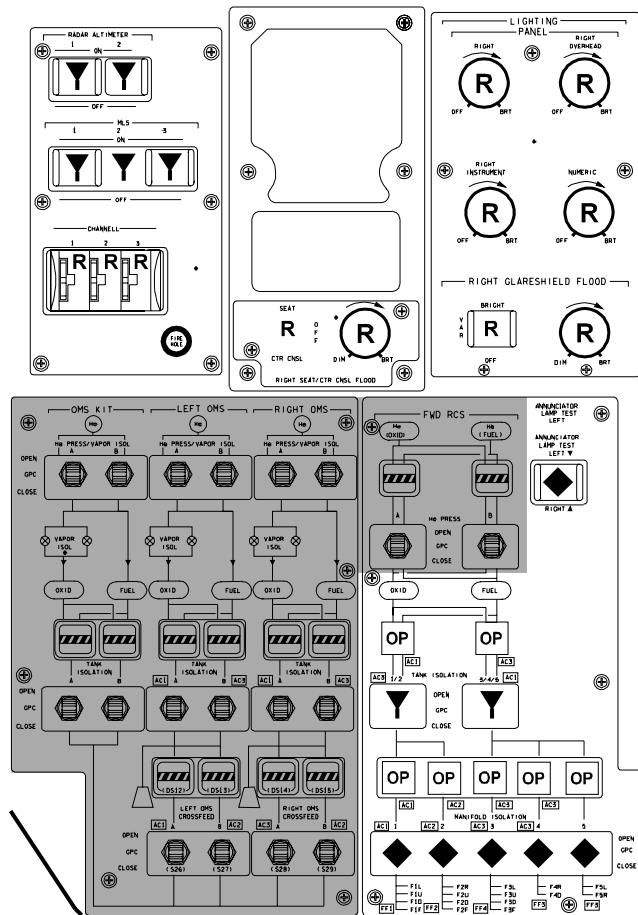
OV105

OV105

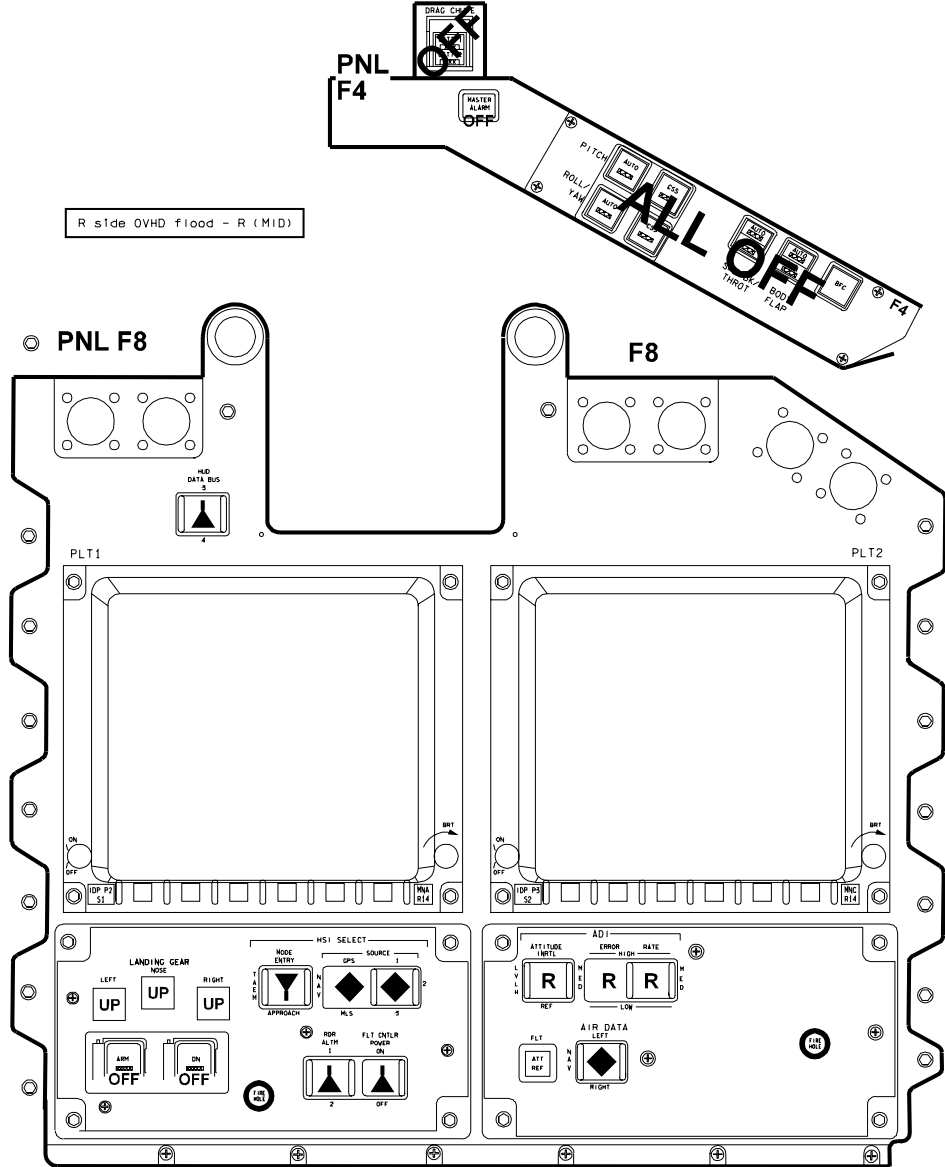


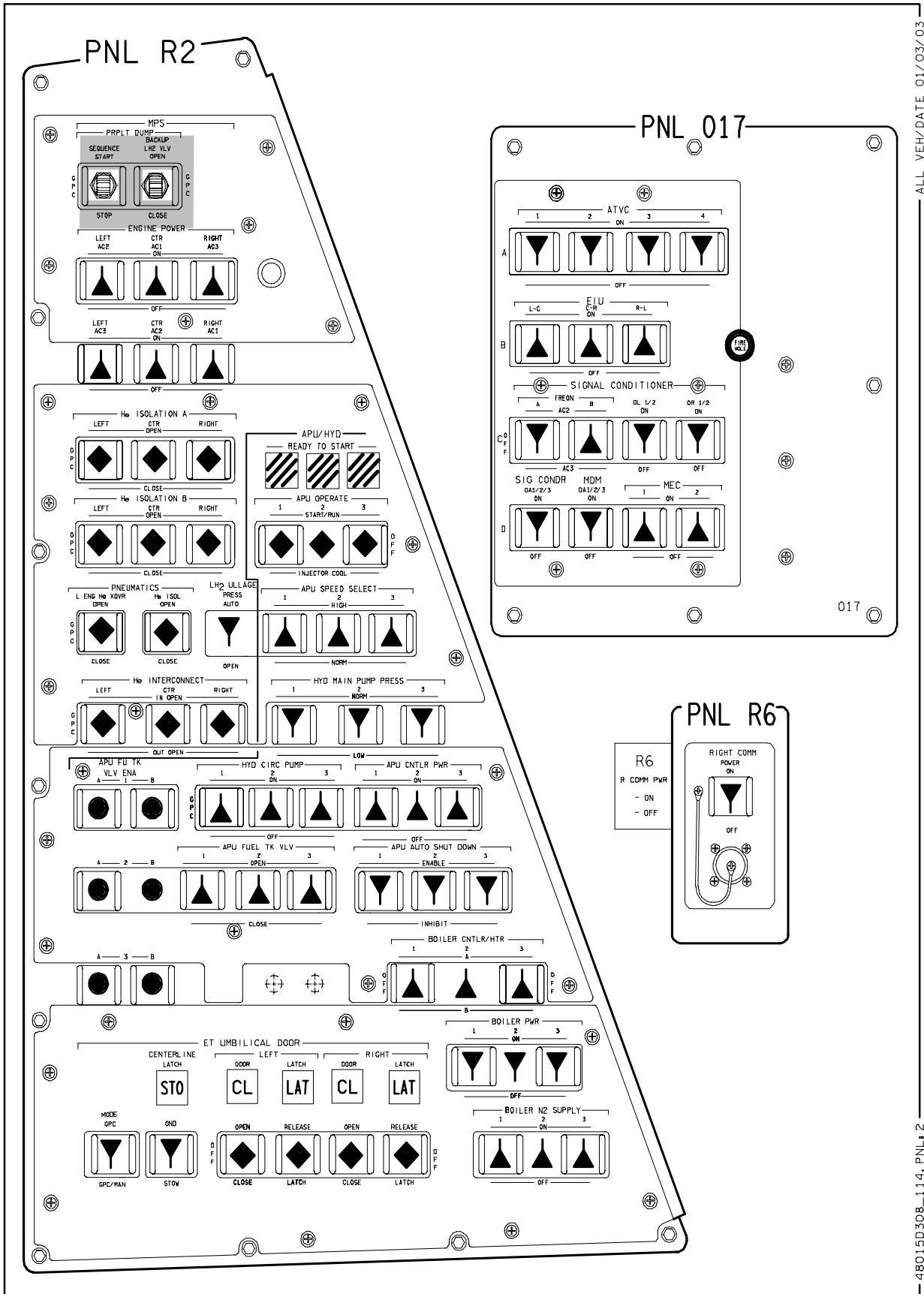
OV105

PNL O8



R side OVHD flood - R (MID)





ALL VEH/DATE 01/03/03

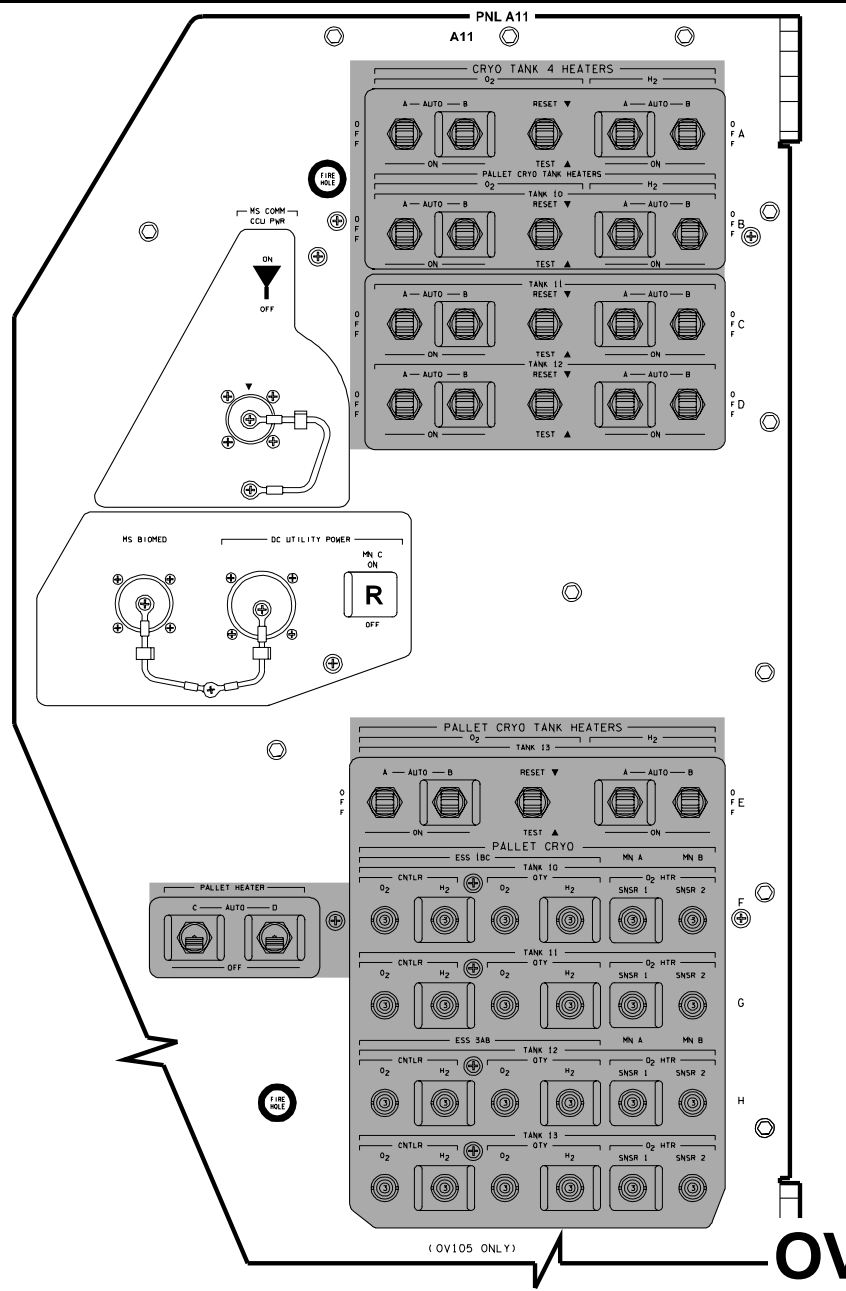
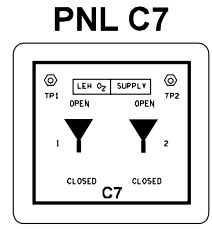
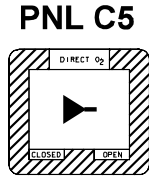
48015D308_114, PNL R 2

OV105

(OV105) C3-8

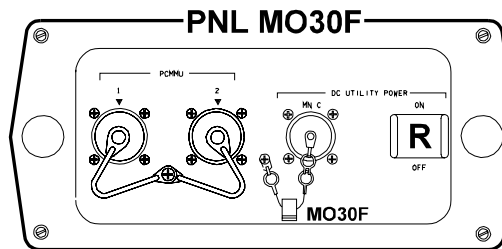
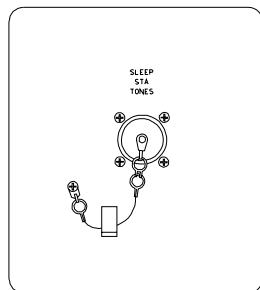
D/O/ALL/GEN P

OV105

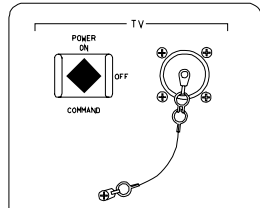


OV105

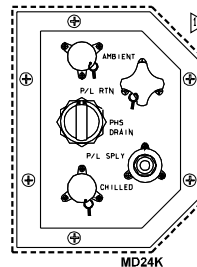
PNL MO58F



AIRLOCK HATCH
 ACTUATOR HANDLE - LATCHED
 LOCK LEVER - LOCKED
 EQUALIZATION VLV (TWO) - NORM
 -CAPS INSTALLED

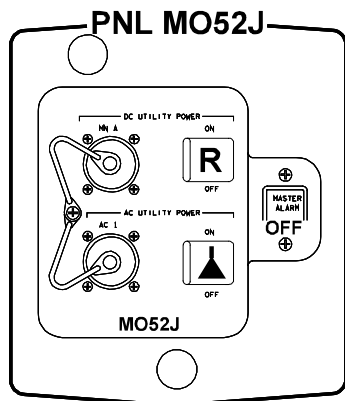
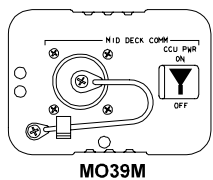


PNL MD24K



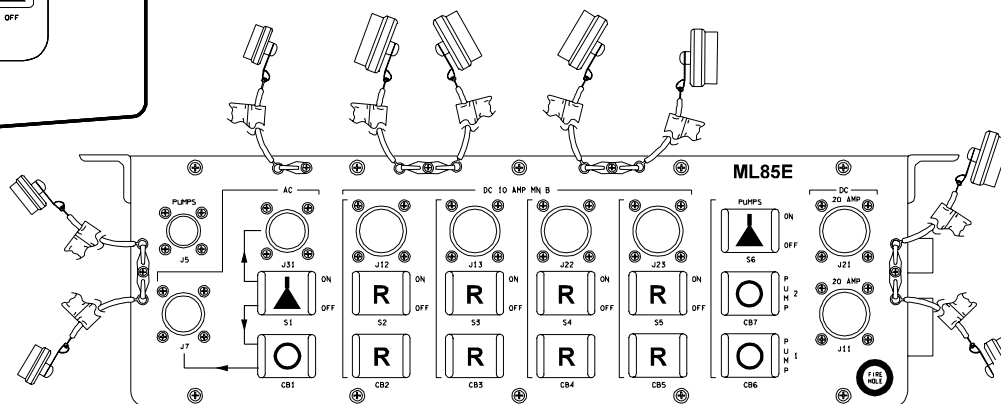
PNL MD44F
 CAB TEMP CNTL ACT LINKAGE - SECONDARY ACTUATOR

PNL MO39M



NOTE: NOT VISIBLE IF MAR FLOWN

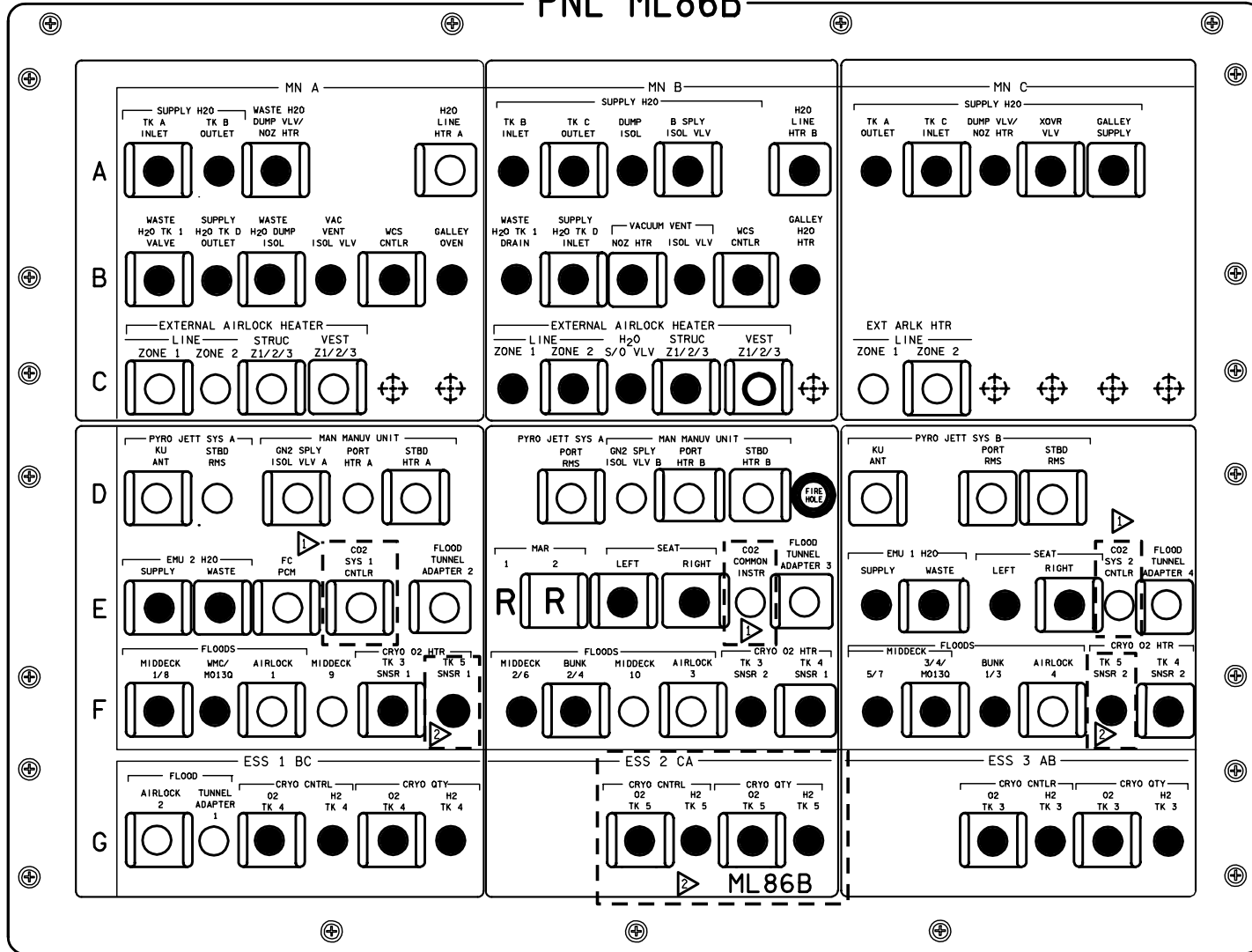
PNL ML85E



OV105

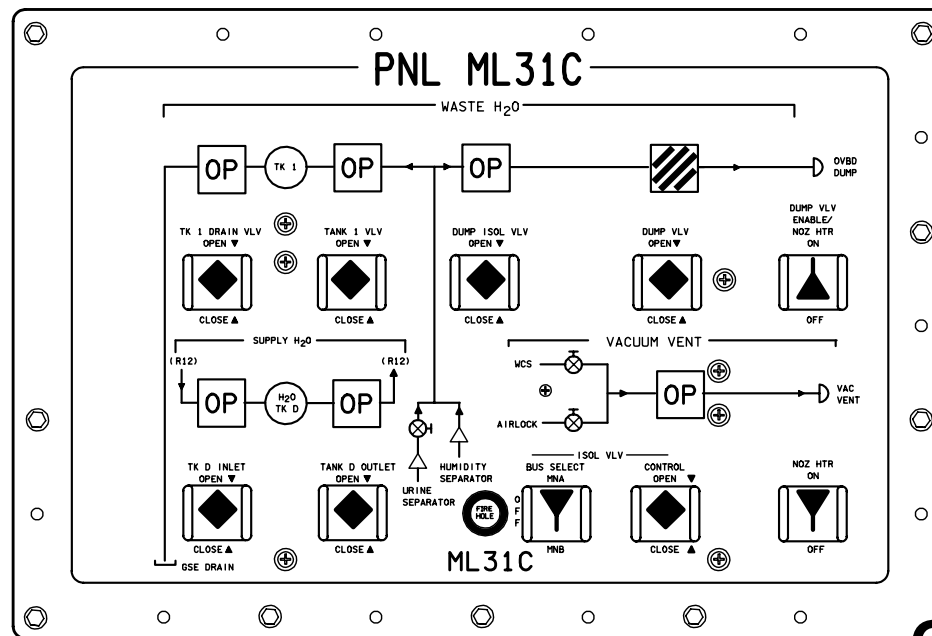
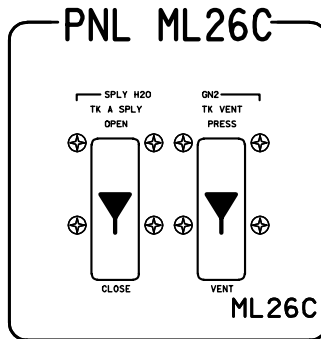
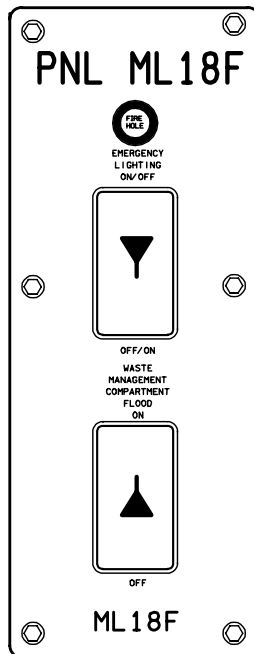
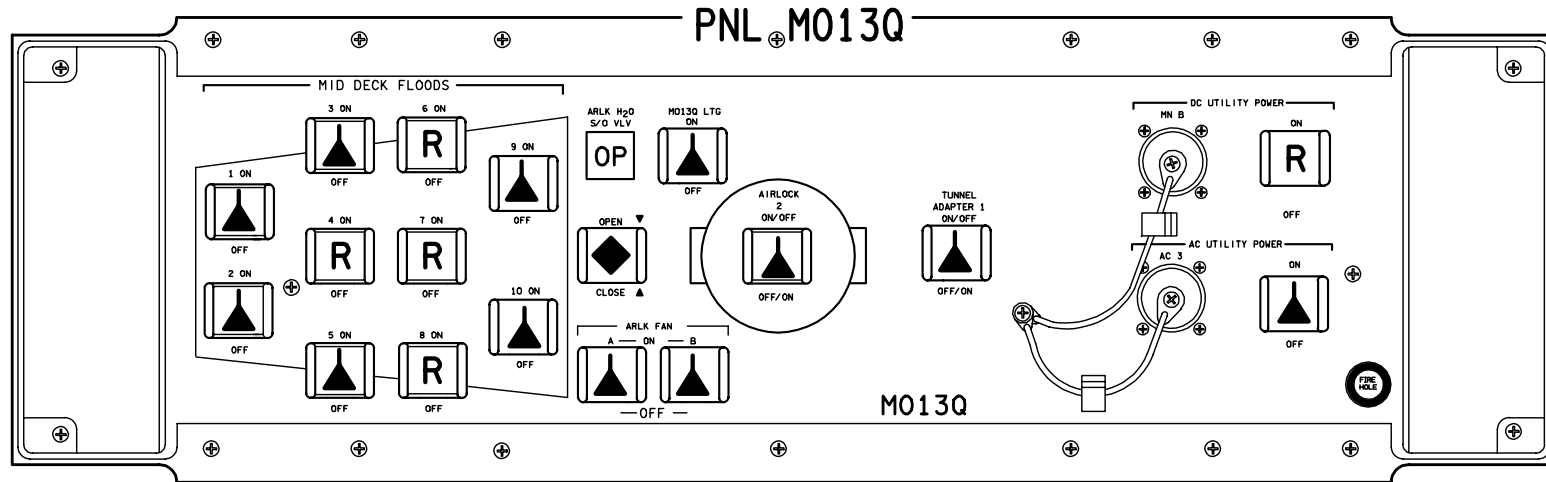
OV105

PNL ML86B



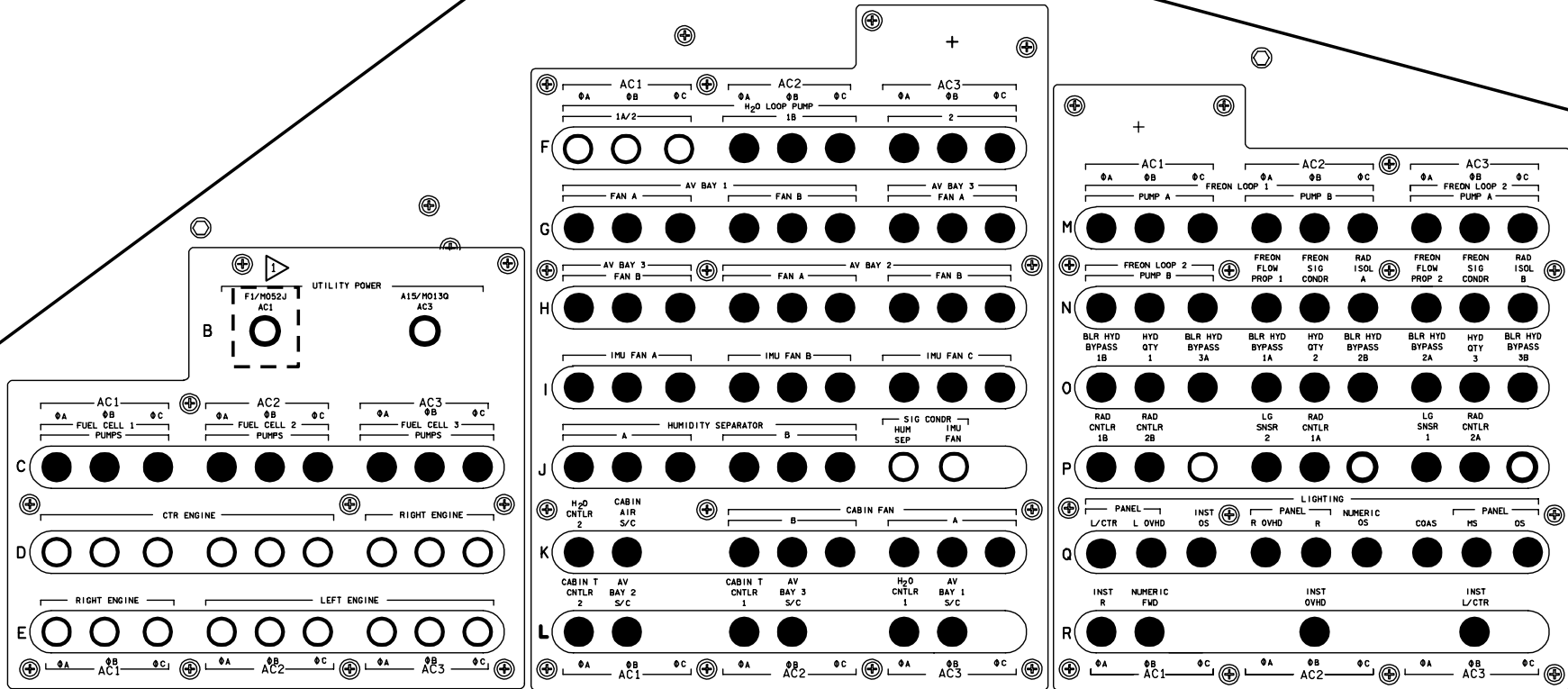
NOTES: ▷ CLOSED IF CO2 RMVL SYS FLOWN
 ▷ OPEN IF TK 5 NOT FLOWN


OV105



OV105

PNL L4



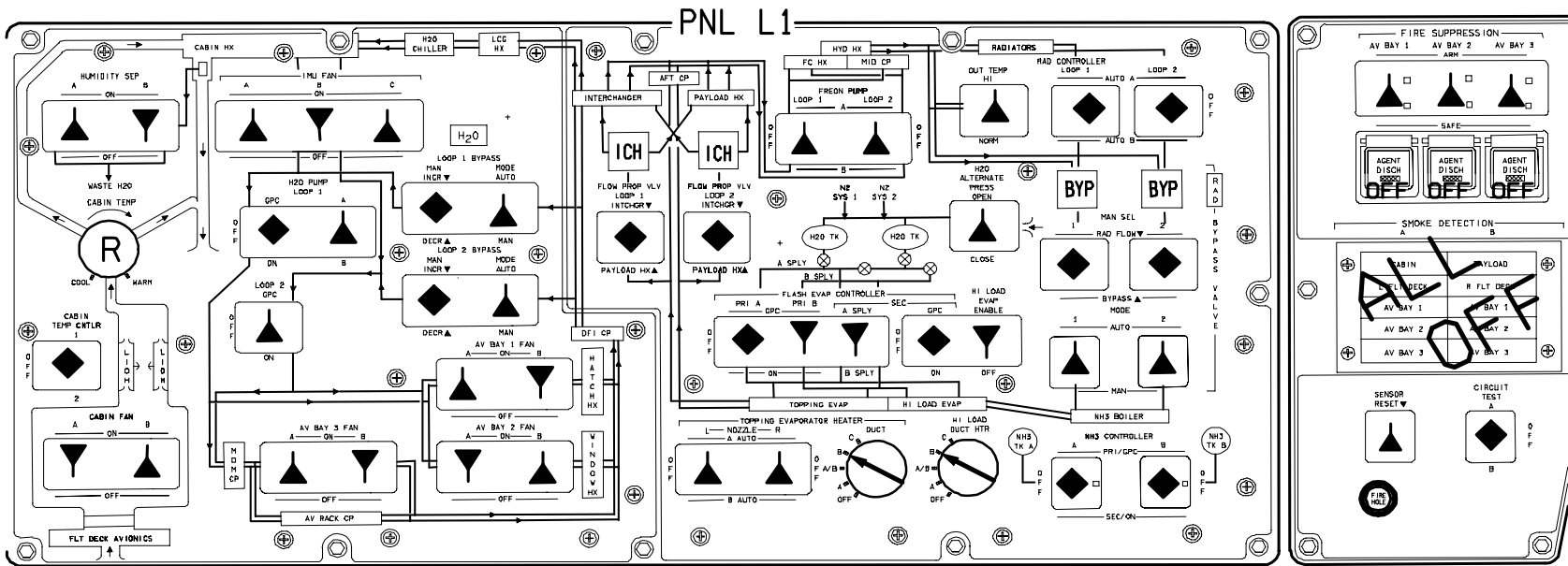
NOTE:  CB CAN REMAIN CLOSED FOR AC PGSC USAGE.
 OPEN WHEN PGSC UNPOWERED/STOWED

48015D313_114. PNL 3

OV105/DATE 11/23/04

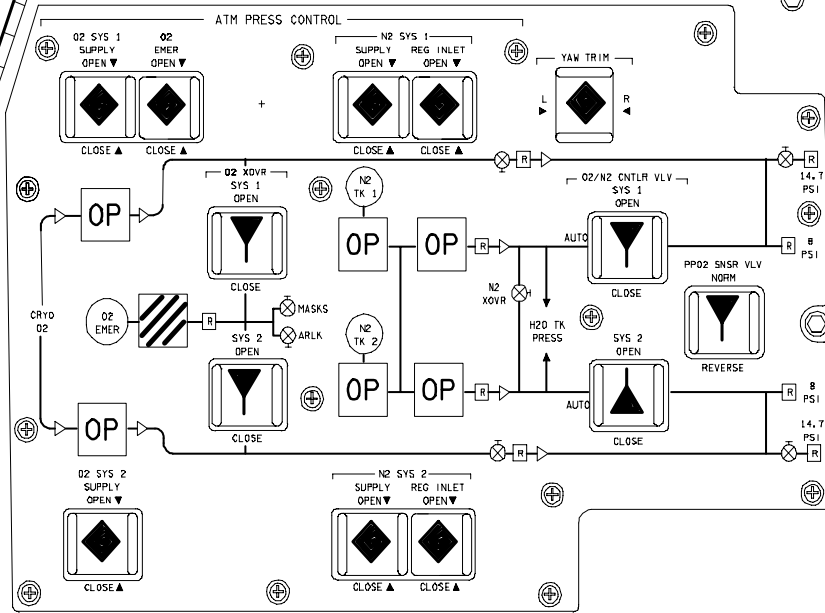
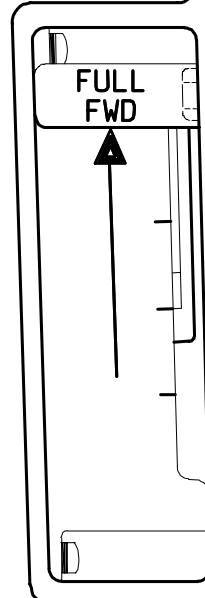
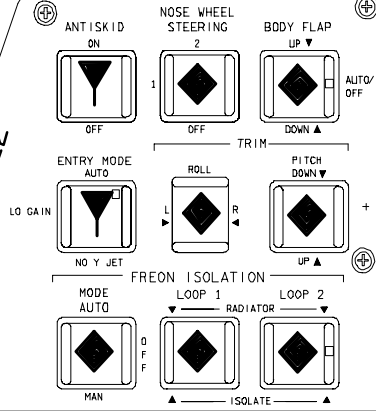
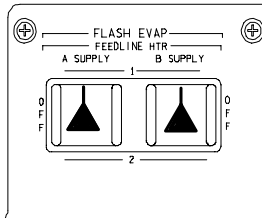
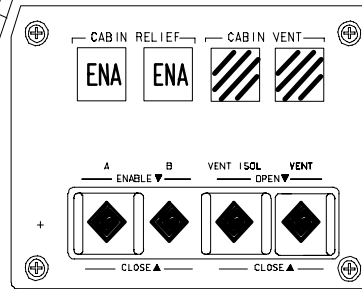
(OV105) C3-13

OV105
 D/O/5/GEN P



OV105

PNL L2



OV105/DATE 12/10/02

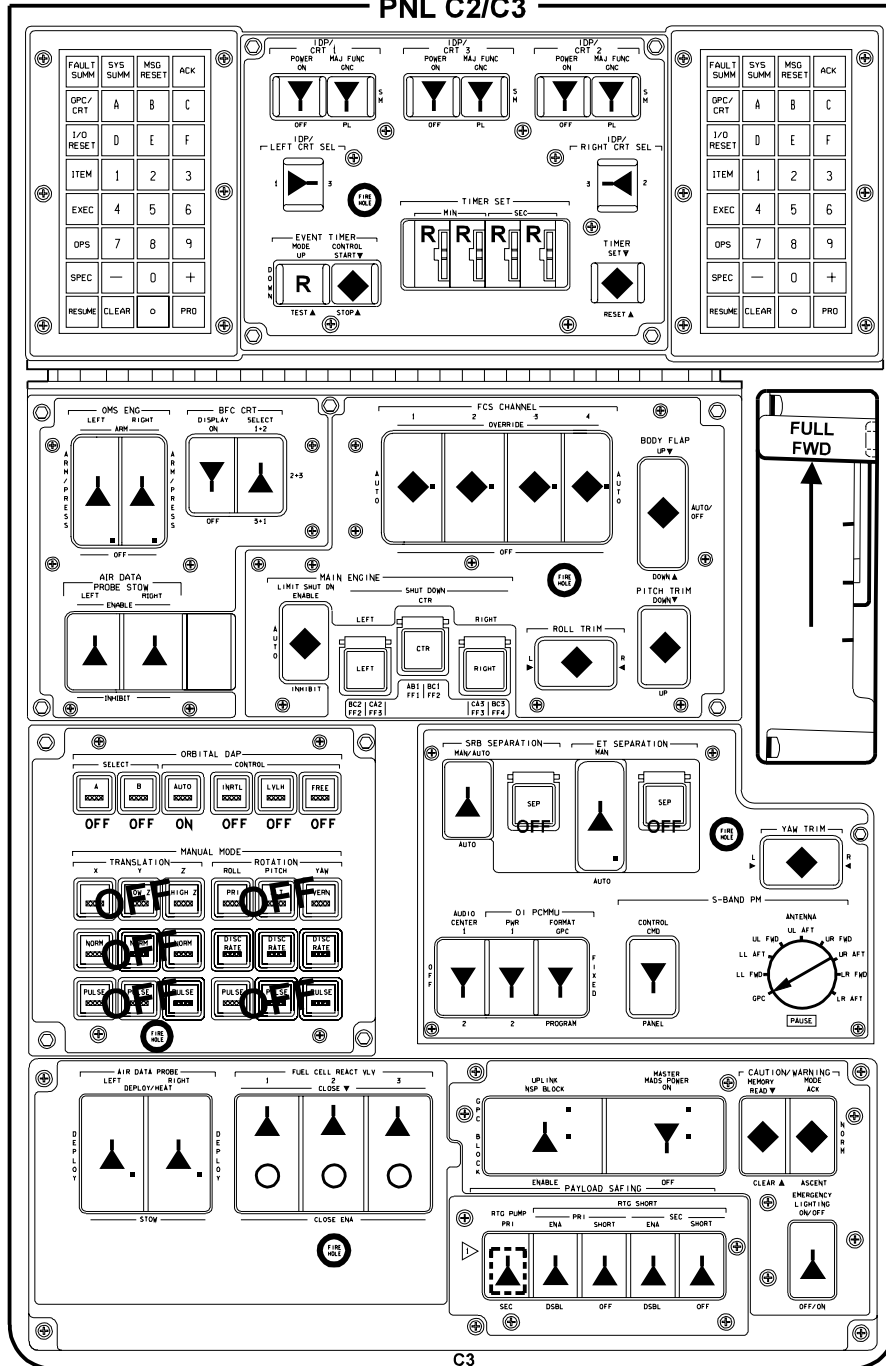
48015D315_114, PNL 9 1

OV105

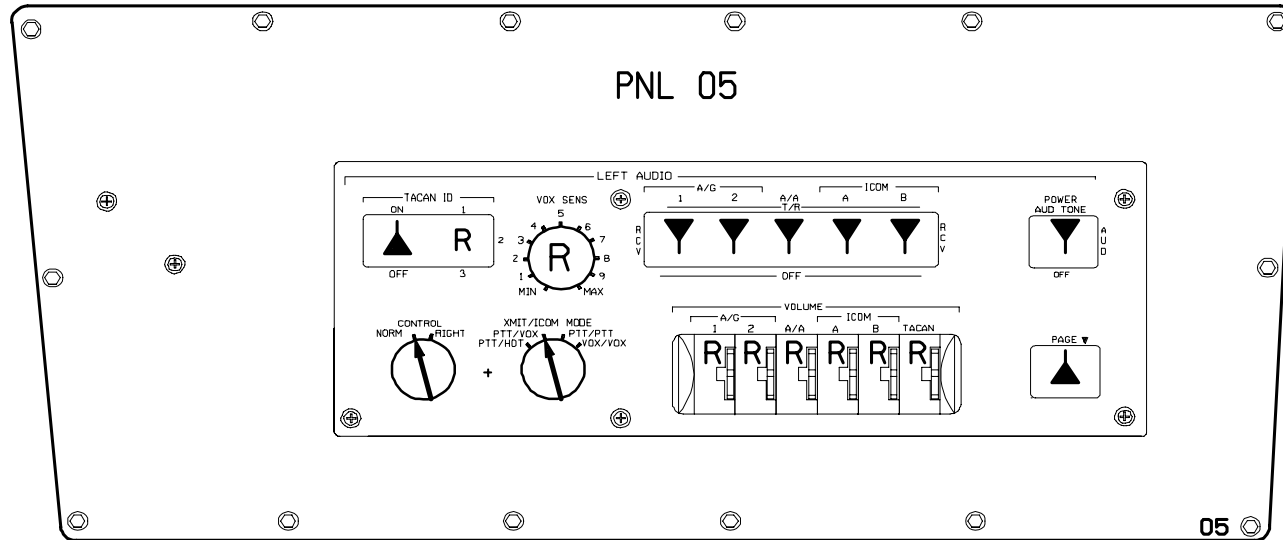
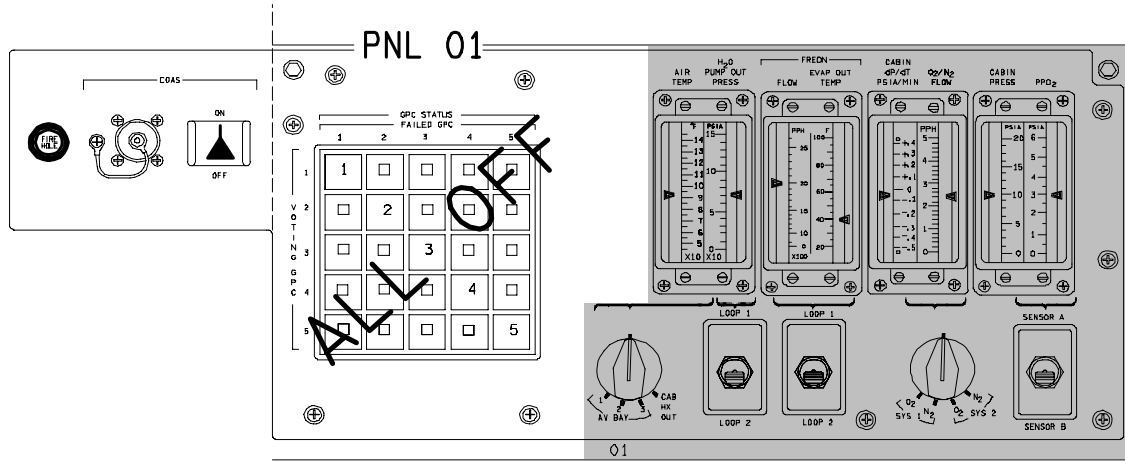
(OV105) C3-15

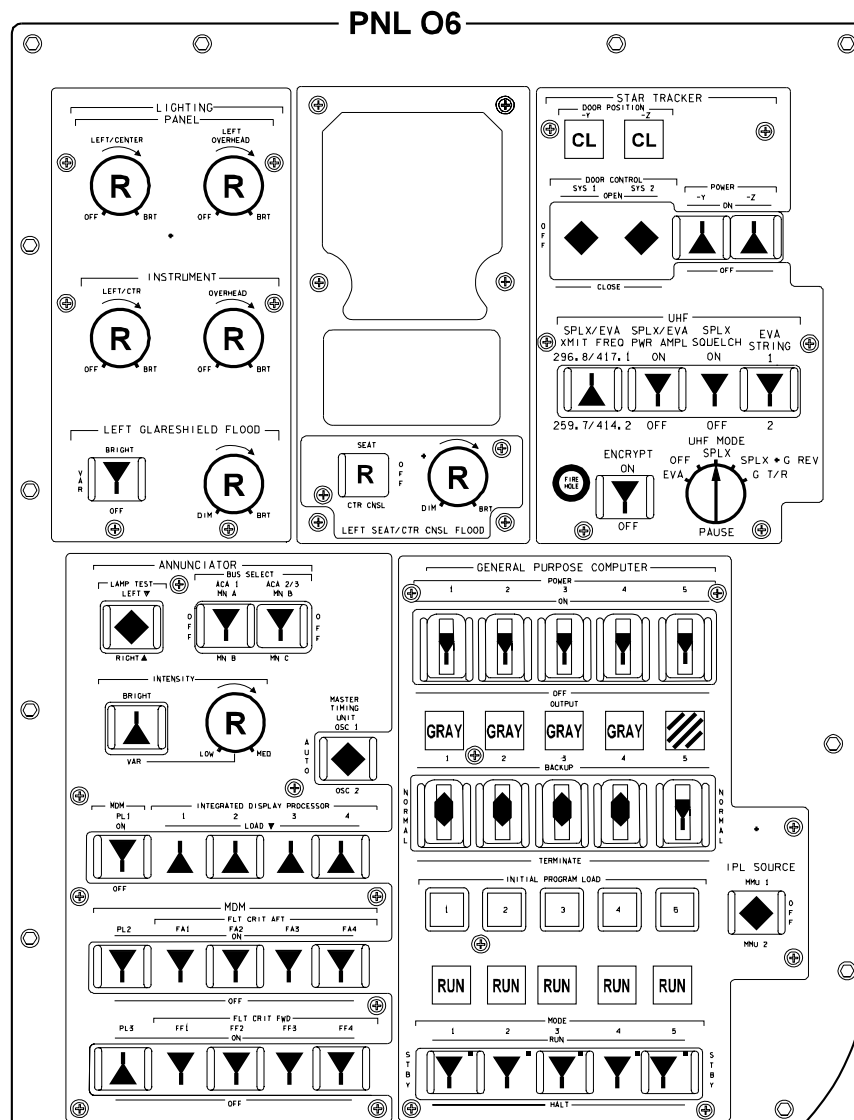
D/O/5/GEN P

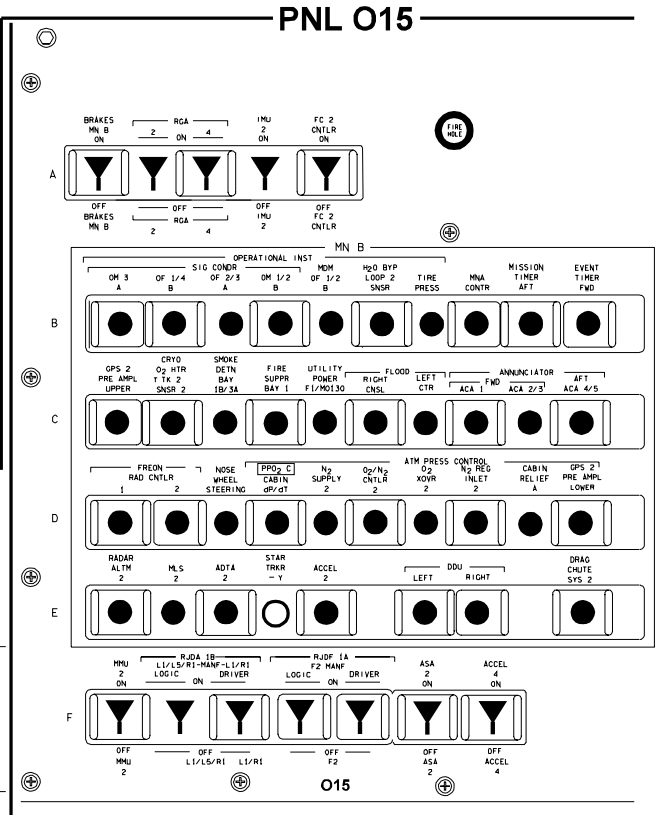
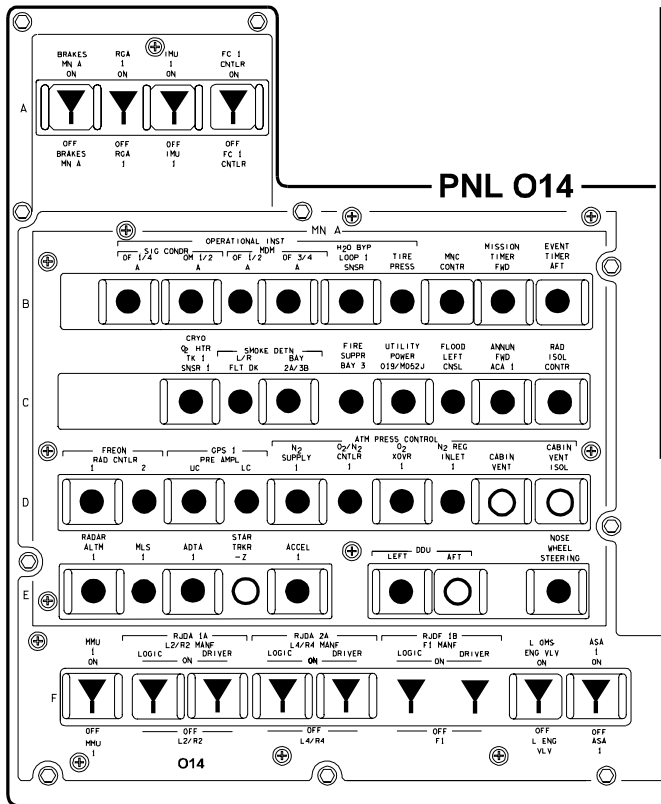
PNL C2/C3



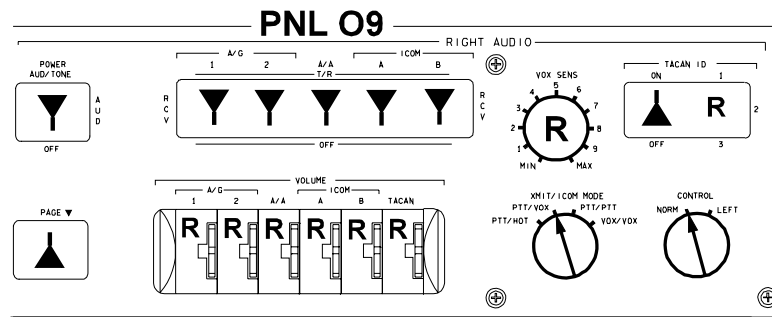
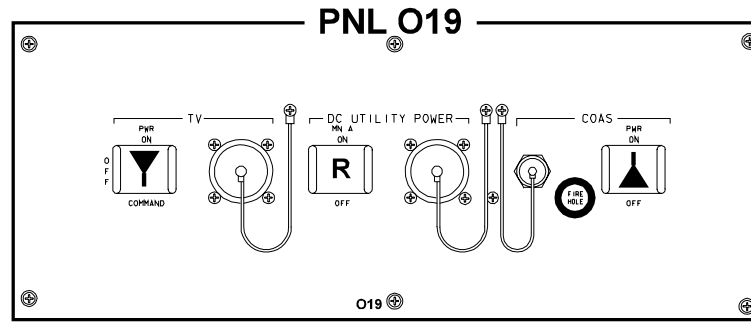
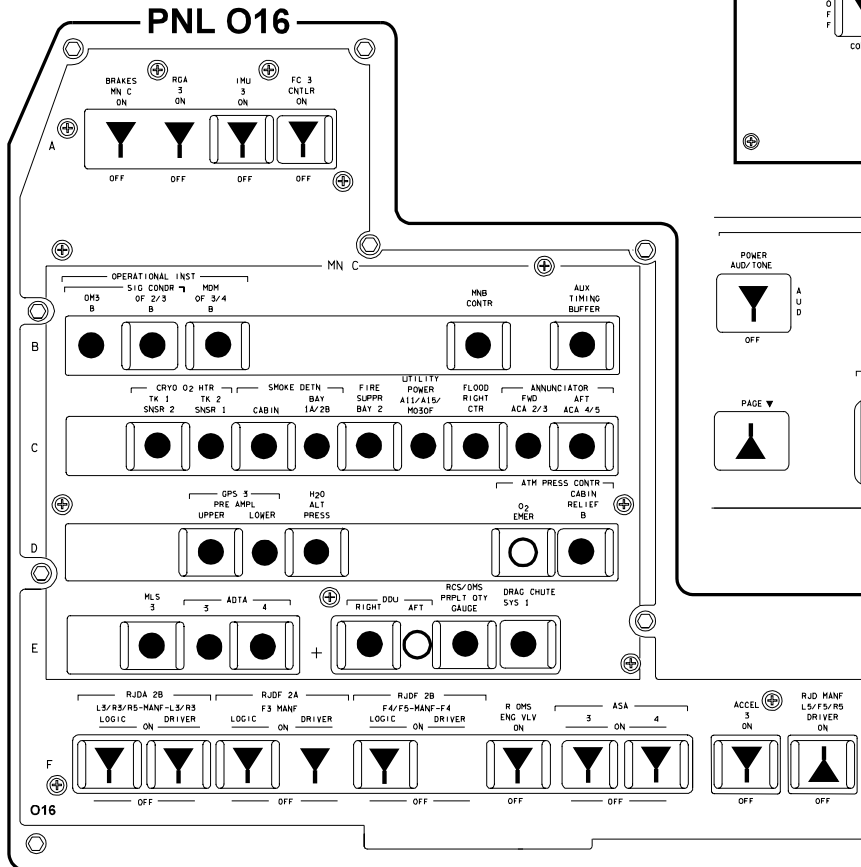
OV105

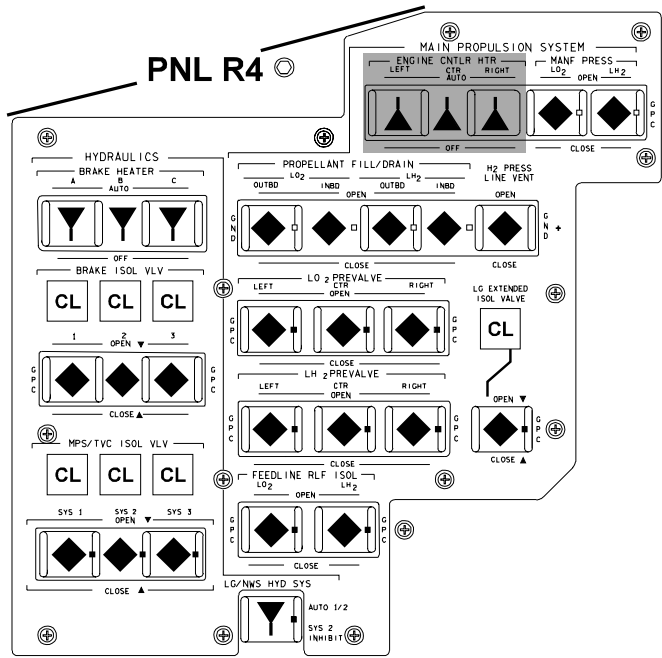
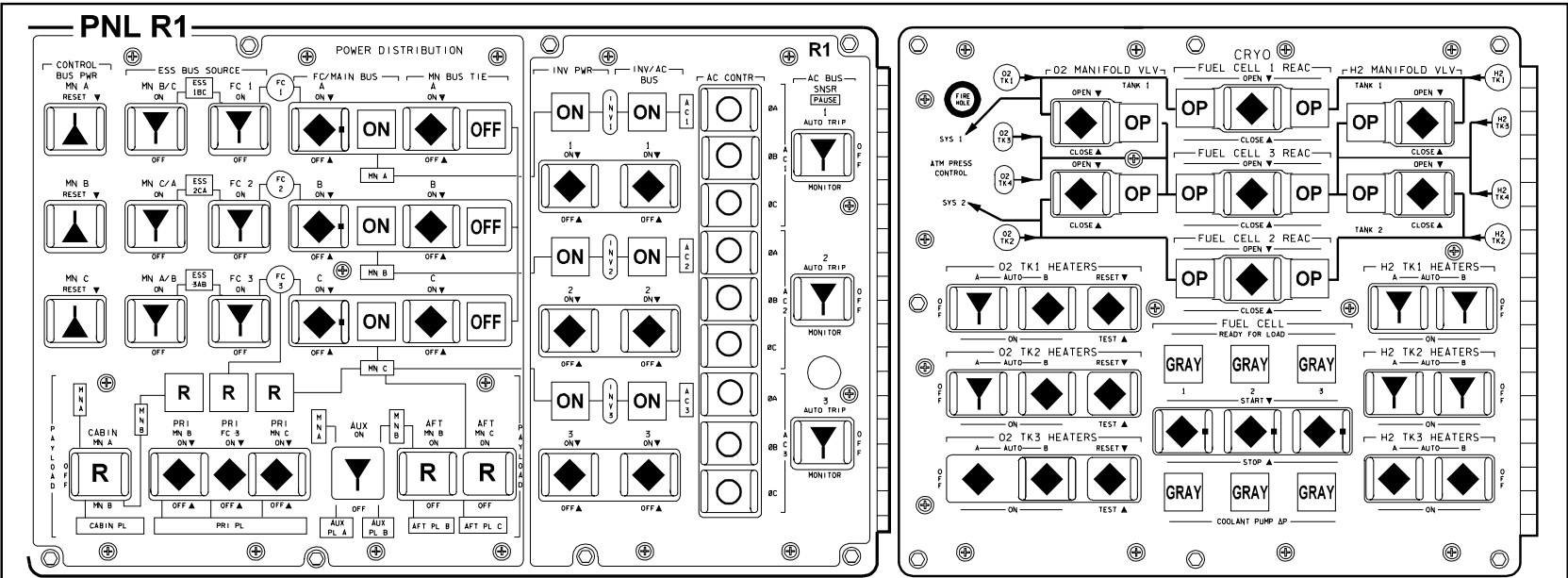




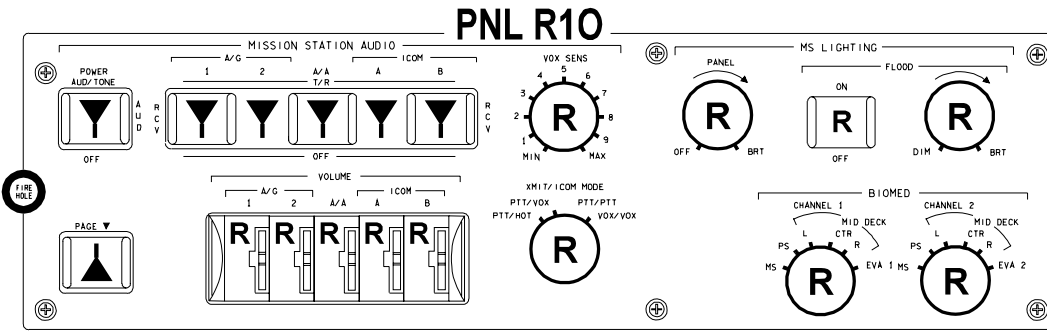


OV105

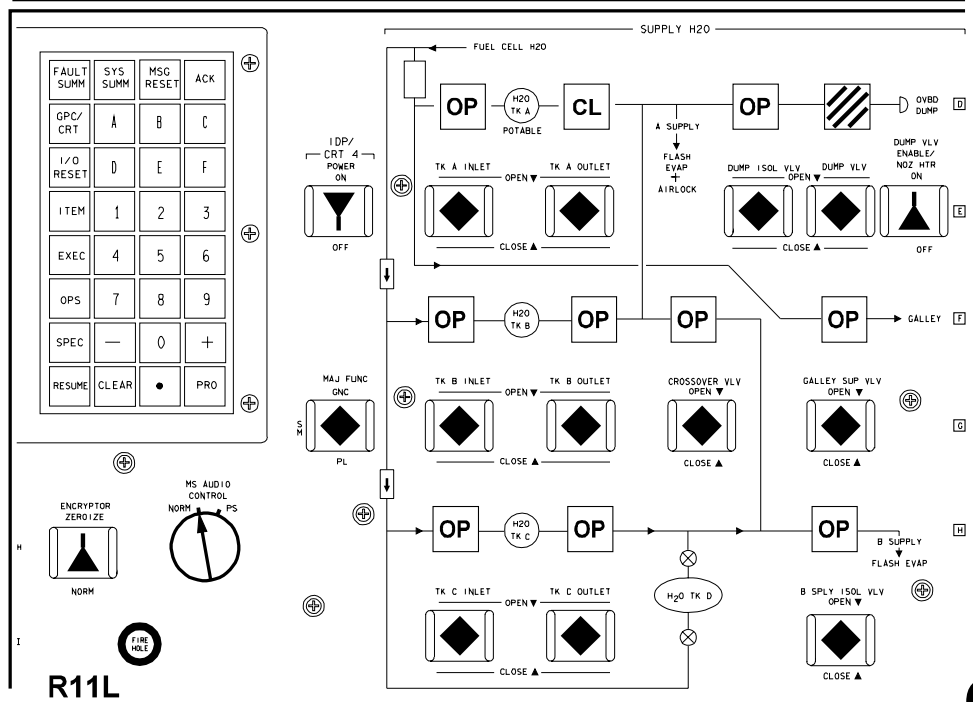
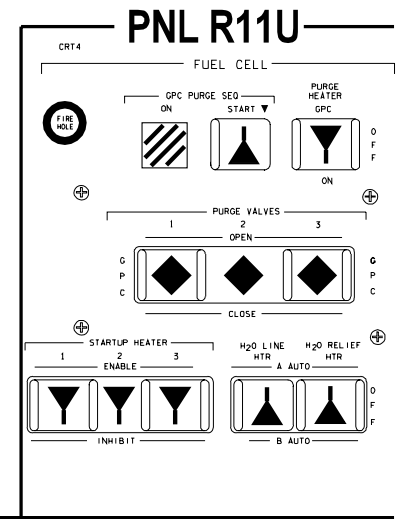


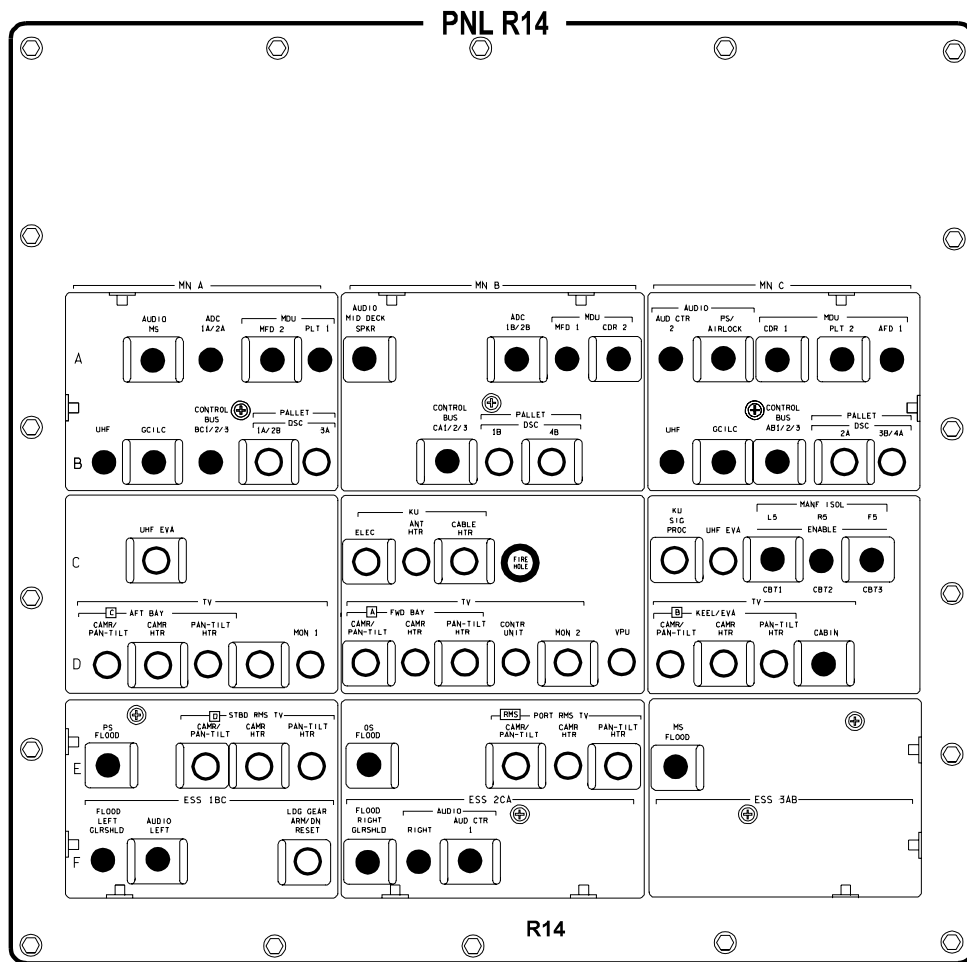
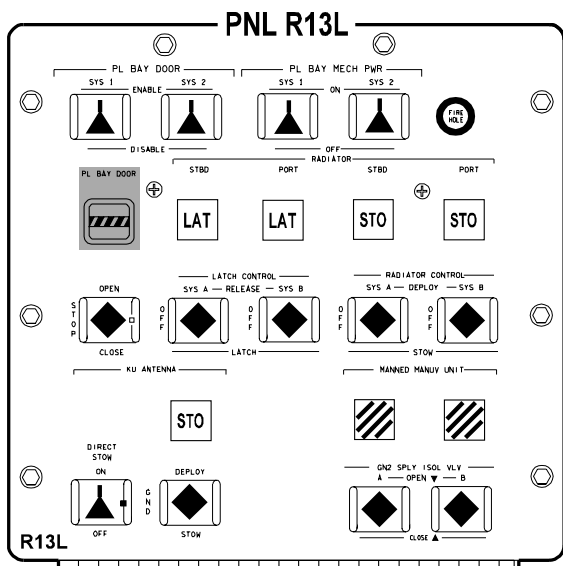


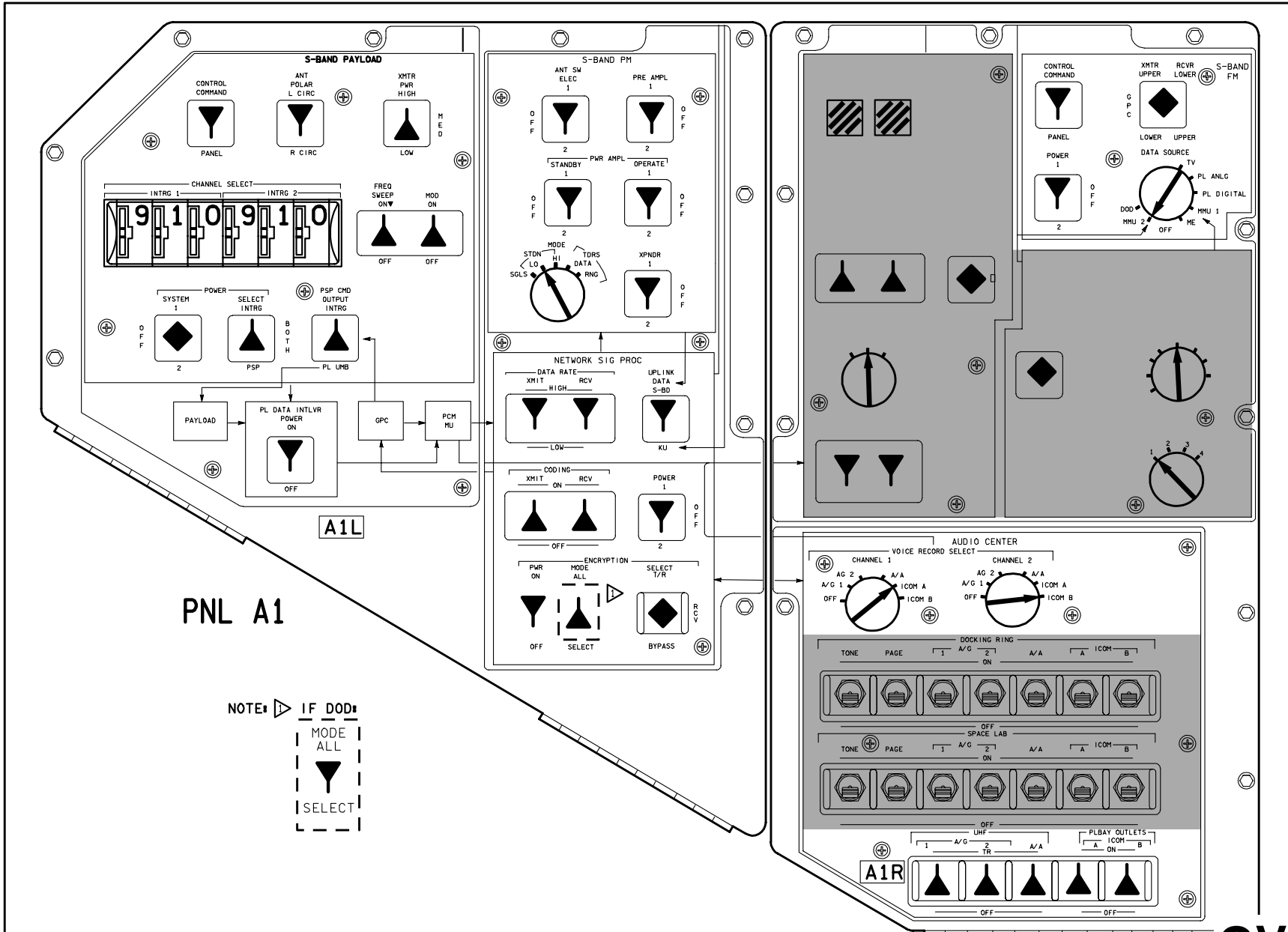
OV105



ACTIVATION
 R10 MS AUD PWR - AUD/TONE
 All other sws - as reqd
 R12 MS AUD CONTL - NORM
 A11 MS COMM CCU PWR - ON



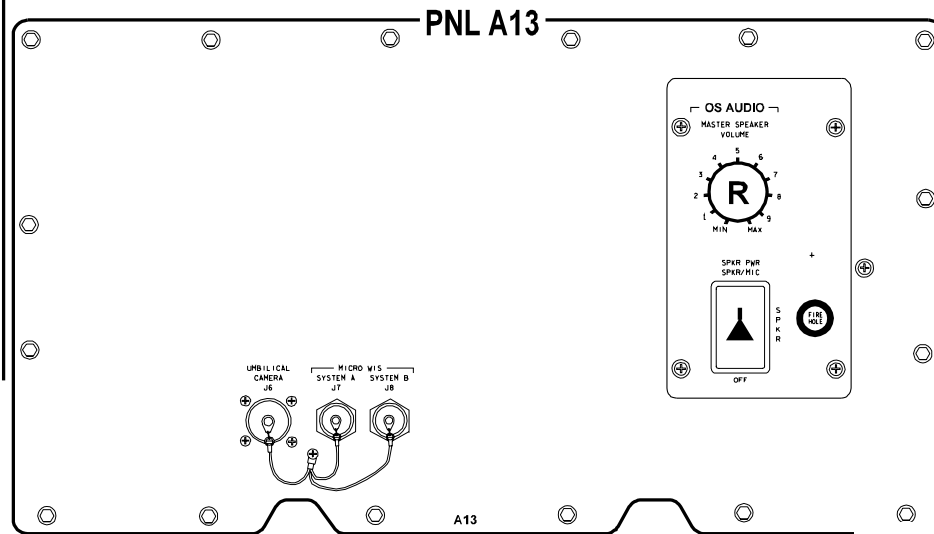
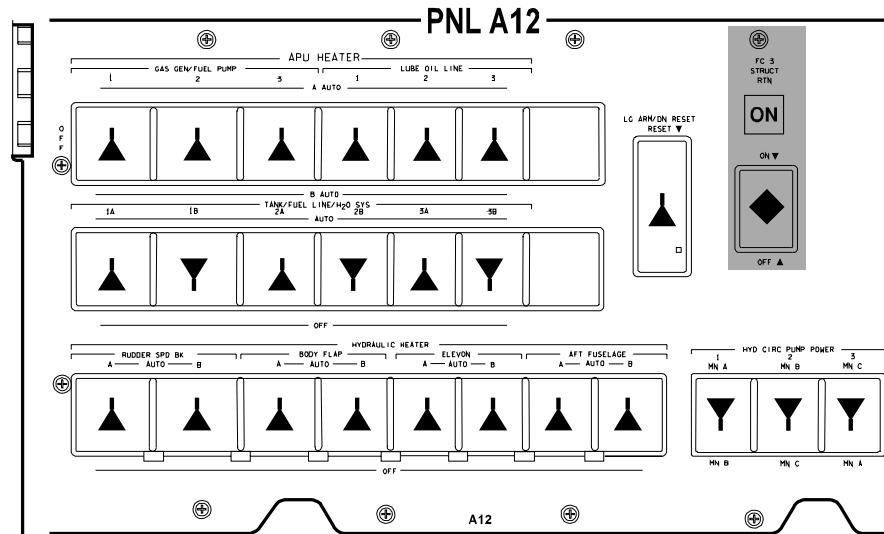
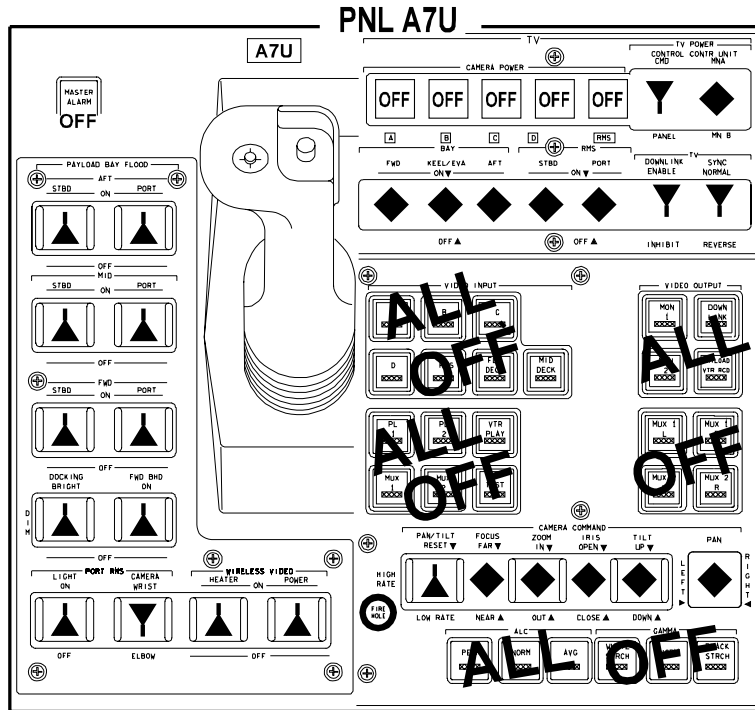




PNL A1

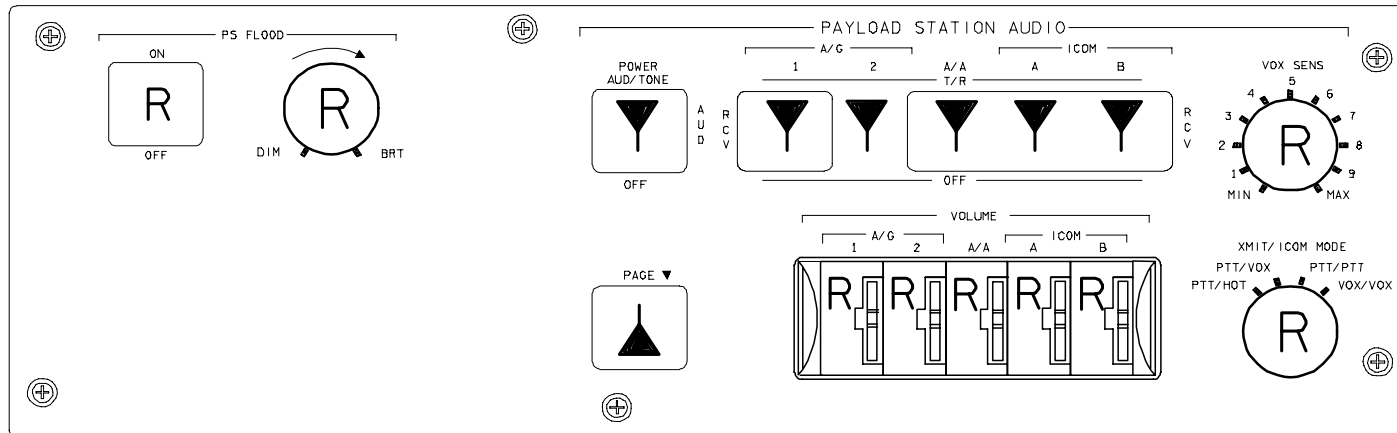
NOTE: IF DOD:
 MODE ALL
 SELECT

OV105



OV105

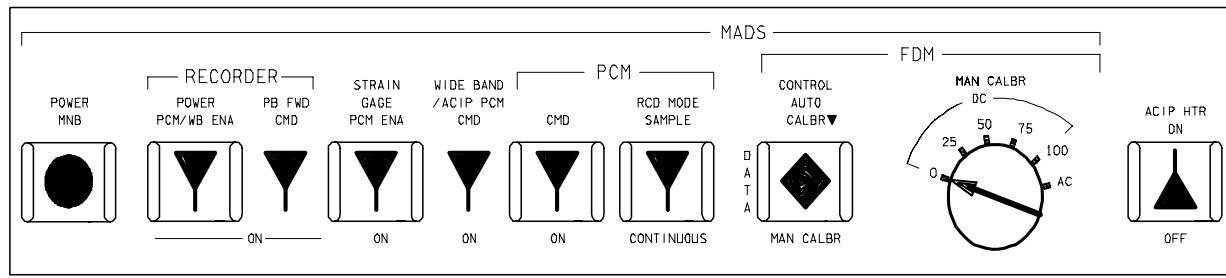
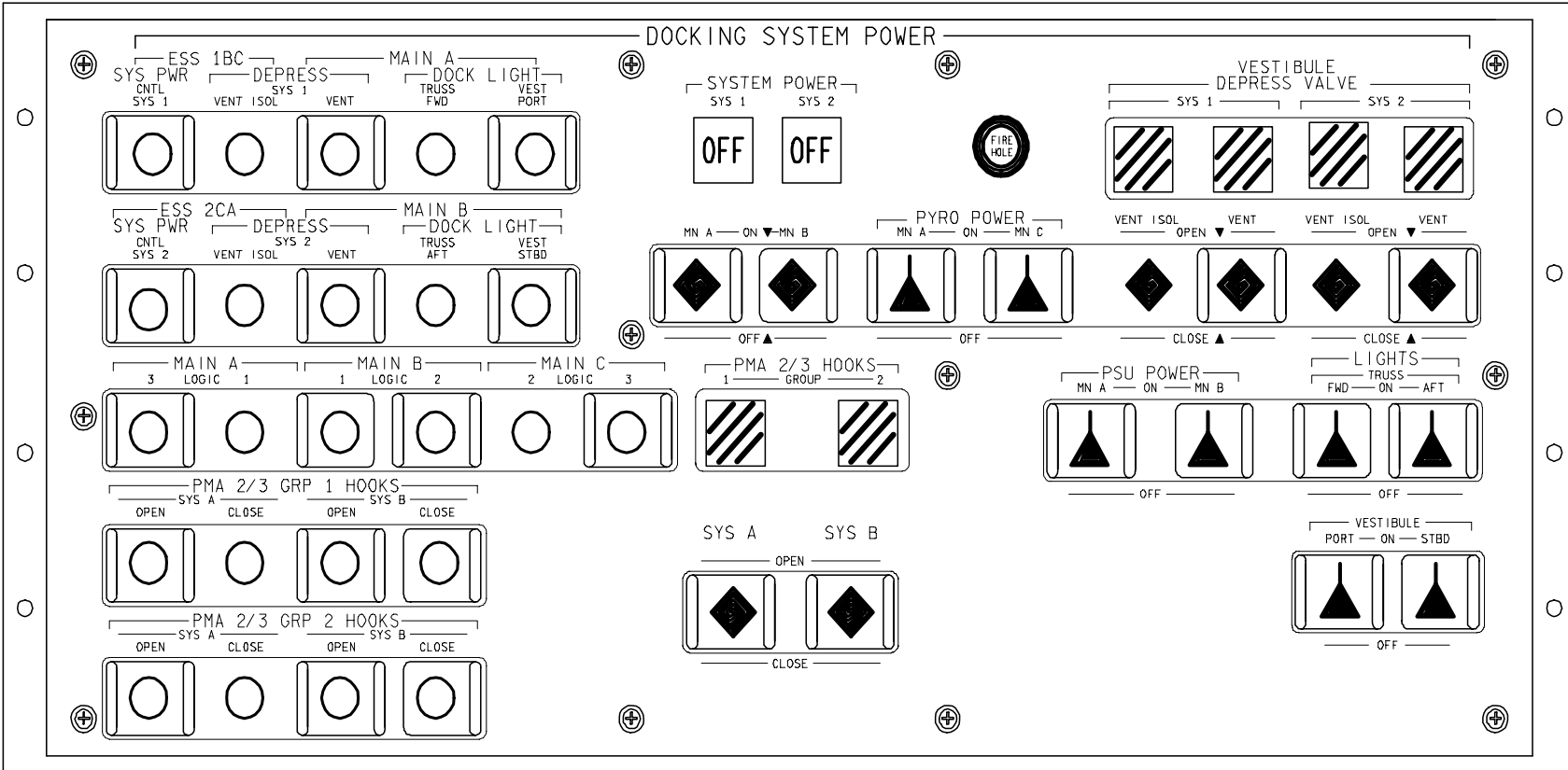
PNL L9



L9

OV105

PNL A6L



OV105

CONTROL PANEL POWER

A ON OFF B ON OFF C ON OFF

HEATERS/DCU POWER

H1 ON OFF H2/DCU ON OFF H3/DCU ON OFF

APDS POWER

A_DS ON OFF B_DS ON OFF C_DS ON OFF

STATUS

POWER	ON	INITIAL	CONTACT
APDS PROTECT	CIRCUIT OFF	CAPTURE	CAPTURE
RING	ALIGNED	RING	FORWARD POSITION
RING	INITIAL POSITION	TO HOOK	
FIXERS	OFF	INTER	SEALED
HOOKS 1	OPEN	HOOKS 1	CLOSED
HOOKS 2	OPEN	HOOKS 2	CLOSED
LATCHES	CLOSED	LATCHES	OPEN
UNDOCK	COMPLET	RING	FINAL POSITION

PYROS

A_p ON OFF B_p ON OFF C_p ON OFF

Ap OFF Cp

FIRE HOLE

OFF

OFF

PYRO COMMANDS

PYRO CIRC PROT OFF PYRO CIRC PROT ON

ACT HOOKS FIRING PAS HOOKS FIRING

APDS CONTROL COMMANDS

OPEN HOOKS OPEN LATCHES

UNDOCKING

A_DS OFF C_DS

LAMP TEST

PNL A7L

APDS CONTROL COMMANDS

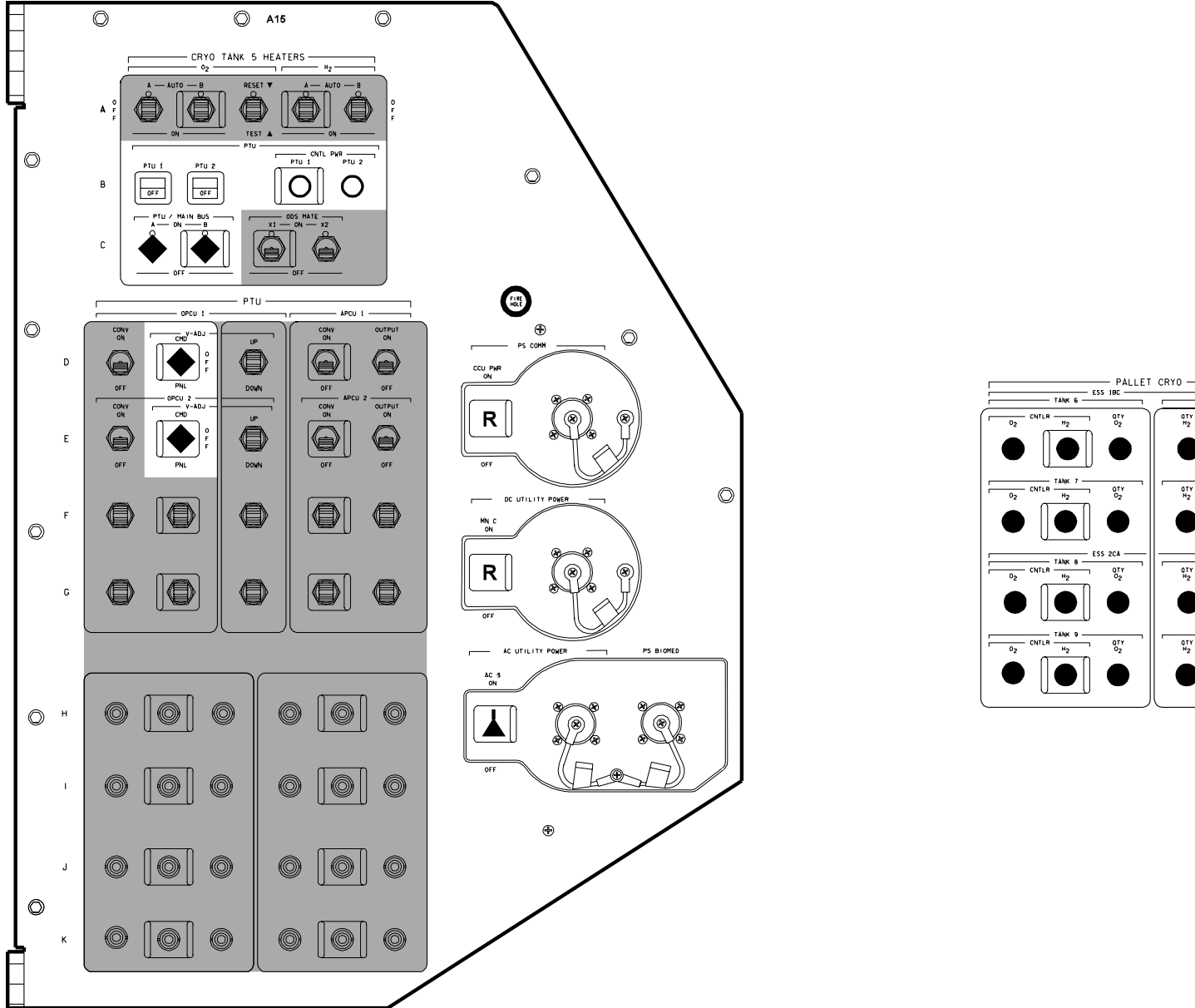
POWER ON POWER OFF RING OUT RING IN

APDS CIRC PROT OFF CLOSE HOOKS CLOSE LATCHES FIXER OFF

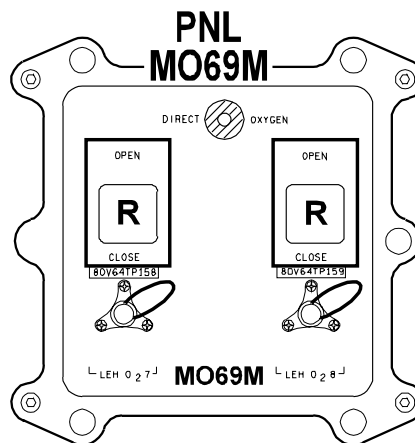
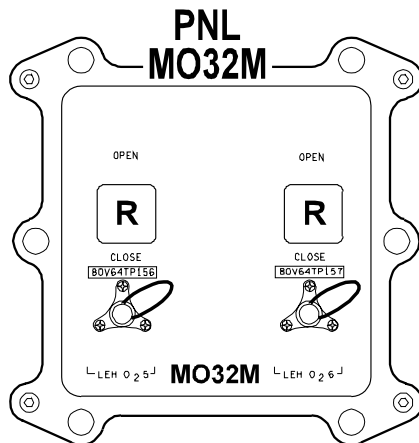
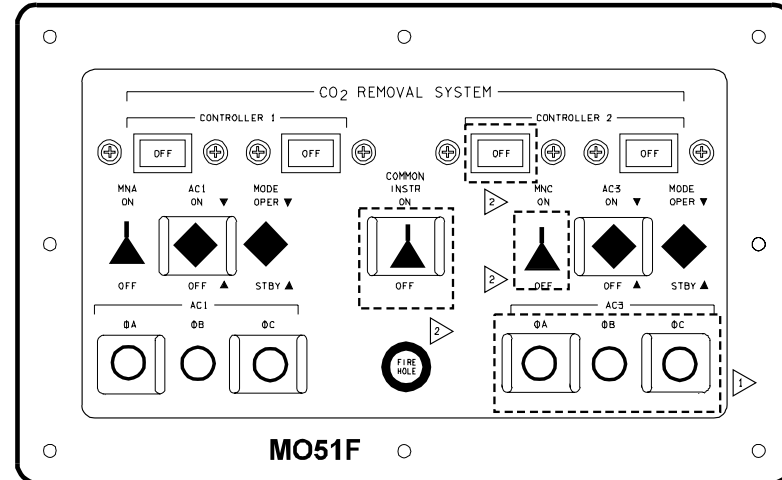
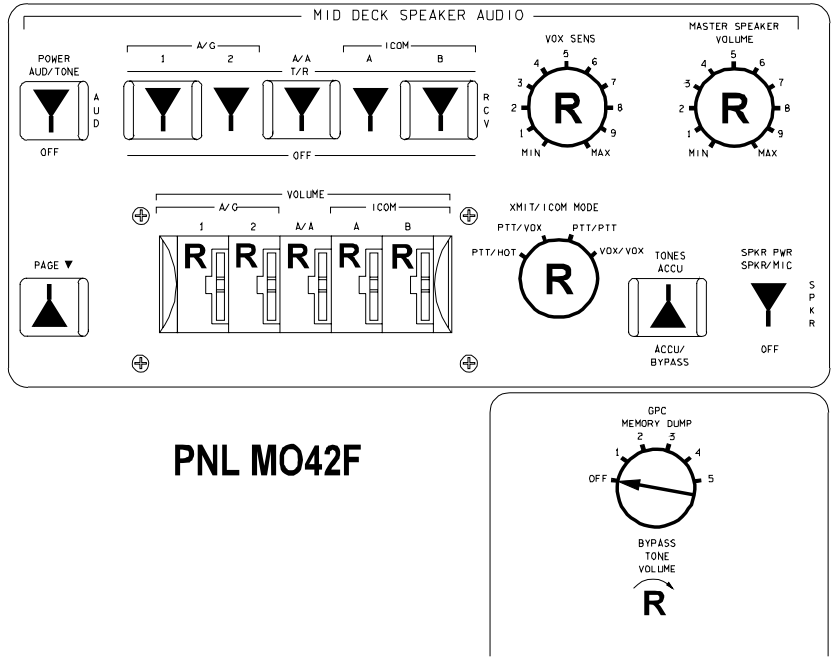
APDS CONTROL PANEL

OV105

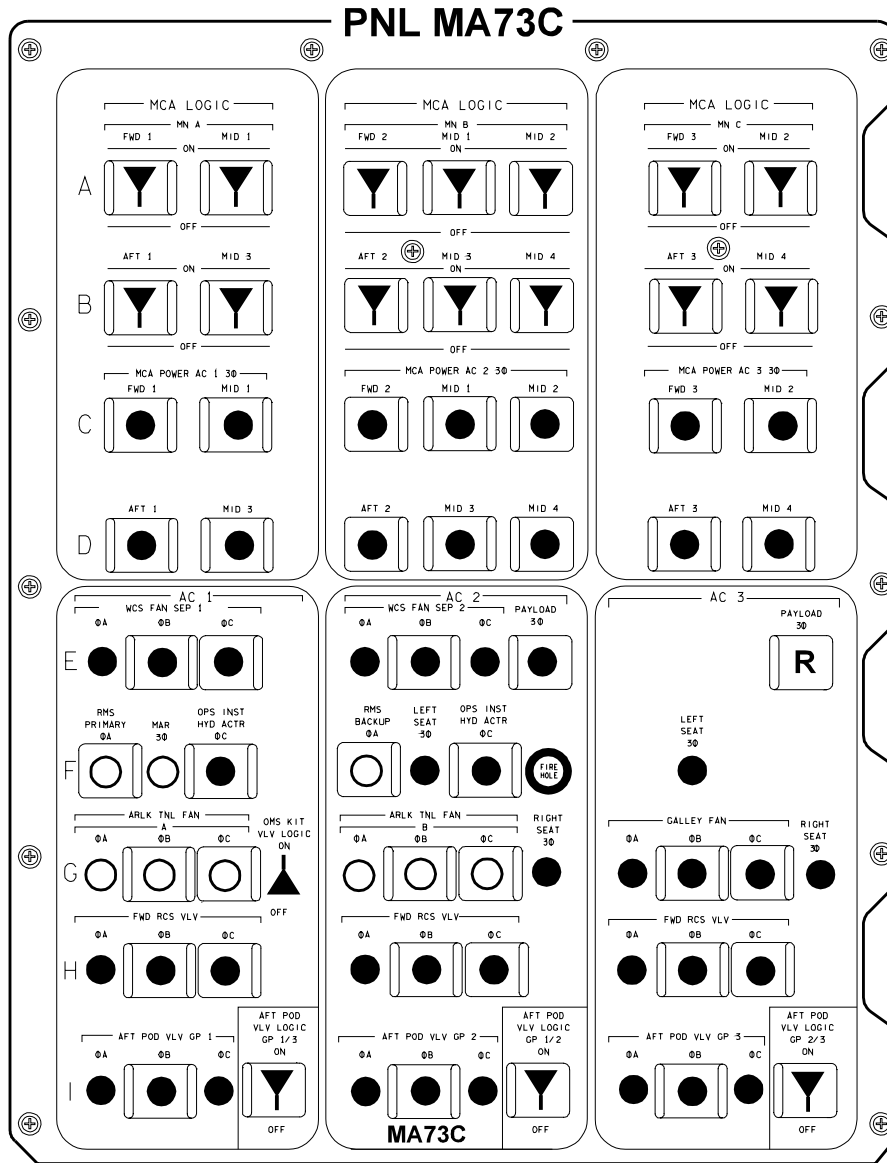
OV105

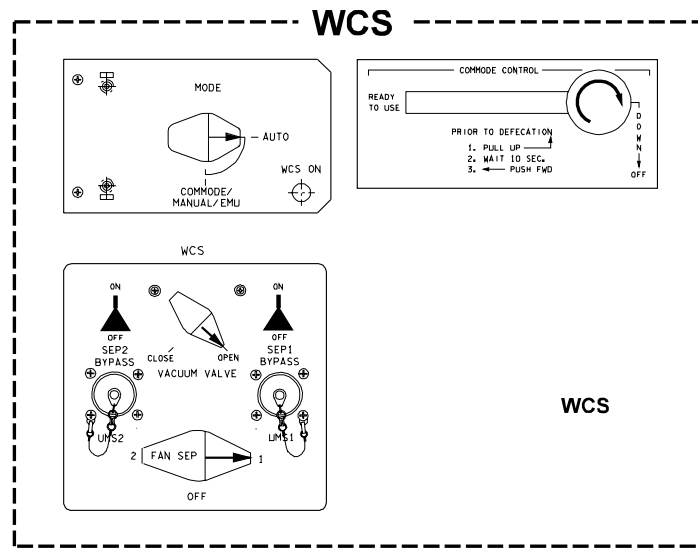
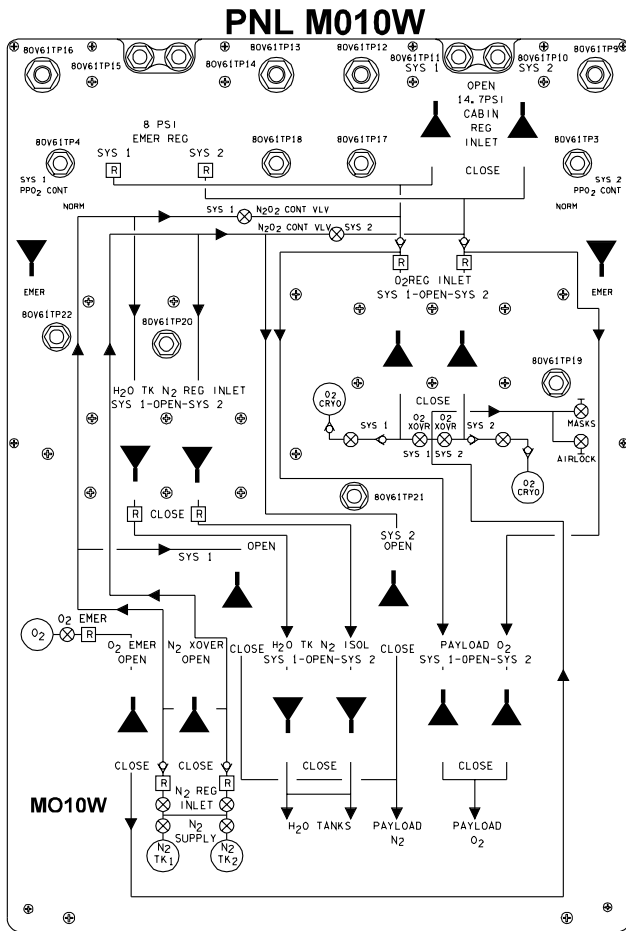


OV105



NOTES: CLOSED IF CO2 RMVL SYS FLOWN
 ON IF CO2 RMVL SYS FLOWN





BFS DEORBIT PREP NOTES

BFS DEORBIT PREP NOTES

BFS DEORBIT PREP NOTES

- 1) BFS cannot support COAS Cal or an IMU Align
- 2) No AUTO DAP or AUTO TVC is available with BFS.
After OPS 304 Transition, CSS must be used
- 3) BFS does not support MSN TIMER updates
- 4) BFS supports manual RCS to RCS Xfeed only
- 5) BFS follows PASS port moding via BFS I/O RESET
- 6) BFS does not support the following switches:

NOTE

Boldface indicates items affected during Entry (MM 304)

LEFT SEAT

- | | | |
|------|----|--|
| C | L1 | H2O PUMP LOOP 1 (GPC pos only) |
| F6 | | ADI ERR
RATE
HSI SEL MODE
SOURCE 1, 2, 3
RDR ALTM |
| C, P | C3 | DAP pb (six)
MAN MODE TRANSLATION pb (eight)
jet option PRI,ALT,VERN pb |
| O7 | | MSTR RCS XFEED
AFT L,R RCS TK ISOL (six) (GPC pos only)
XFEED (four) (GPC pos only) |

RIGHT SEAT

- | | | |
|------------|-----------|---|
| P | F8 | AIR DATA (slaved to CDRs)
ADI ERR
RATE
ATT (slaved to CDRs)
ATT REF pb
HSI SEL MODE
HSI SEL SOURCE TACAN (OV103,4),
GPS (OV105), MLS, NAV
(slaved to CDRs) |
| | F3 | RDR ALTM
R TRIM RHC/PNL |
| | R2 | HYD CIRC PUMP (three) (GPC pos only) |
| <u>AFT</u> | <u>MS</u> | R12U FC PURGE VLV (three) (GPC pos only)*
HTR (GPC pos only)*
GPC PURGE SEQ |

* FC PURGE valve and heater functions can be ground-commanded through BFS when switches are in GPC position. Therefore, place these switches in GPC for entry

CONTINGENCY DELTAS TO NOMINAL DEORBIT PREP

NOTE

Perform NOMINAL DEORBIT PREP procedure with
CONTINGENCY DELTAS for specific case

LOSS OF 2 CAB FANS 5-3

LOSS OF AV BAY AIR COOLING 5-4

8 PSI DEORBIT PREP 5-6

AV BAY FIRE 5-8

This Page Intentionally Blank

LOSS OF 2 CAB FANS

Assumes LOSS OF 2 CAB FANS (ORB PKT, PWRDN) accomplished

1. Minimize use of IDPs,MDUs,FLT CNTLR PWR,DDUs to reduce cabin heat load and to save for use during entry
2. Minimize lighting
3. Wipe off any visible moisture with towels
4. Use IDP/CRT 4 when possible. Use one IDP/CRT with two MDUs as reqd. Use two IDP/CRTs with two MDUs for DPS ENTRY CONFIG. Save two forward IDP/CRTs with four MDUs that interface with those IDPs for entry
5. In DED DISP ENT CONFIG, do not power DDUs unless reqd. Minimize use
6. In DPS ENTRY CONFIG, skip SM CKPT except UL CNTL ENA – ITEM 36 EXEC. Skip MC9 RECONFIG
7. In CLOTHING CONFIG, prepare ACESs for donning. Don QDM if cabin temp > 90 degF and discomfort occurs. If cabin temp > 95 degF and no evaporative cooling, don ACES, activate O2, and close visor. Inflate Anti-G Suit as needed for circulatory support
8. ENTRY SWITCH LIST/VER will not reflect pwrdrn items
9. FLUID LOADING: Continue drinking 8 oz container of water every 15 min with salt tablets every other 8 oz container through entry
10. Maintain tail Sun attitude/leave window shades installed until TIG-15 min

For ENTRY C/L deltas, go to LOSS OF 2 CAB FANS (ENT PKT, PWRDN)

LOSS OF AV BAY AIR COOLING

Assumes MAL, DPS, GPC FRP-7 accomplished

1. For Av Bay 1 or 2 loss, skip DPS CONFIG FOR D/O PREP [4a], but perform ENSURE BFS GPC CAN COMMAND AN IDP [4b]
 If Av Bay 3 loss, perform both DPS CONFIG FOR D/O PREP [4a] and ENSURE BFS GPC CAN COMMAND AN IDP [4b]
2. In APU/HYD CONFIG:
 If AV BAY 1 or 2 air cooling lost:
 | FCS CH (four) – ORIDE
 If AV BAY 3 air cooling lost:
 √FCS CH 1,2,3 (three) – AUTO
 4 – OFF
3. In DED DISP ENT CONFIG, delay activation of affected GPS,TACANs,MLSs,AAs,ADTAs (EQUIP COOLING MATRIX, ORB PKT, ECLS); deactivate if already activated
4. During DPS ENTRY CONFIG
 - a. If loss of AV BAY 3, do not activate GPC 3
 - b. In all cases, substitute appropriate NBAT in following activities:

TRANSITION GPC 1 & 2 TO GNC OPS 3

CONFIG GPC	LOSS OF		
	BAY 1	BAY 2	BAY 3
	3 02000	3 10000	3 12000
STR 1	2	1	1
2	2	1	2
3	2	1	1
4	2	1	2
PL 1/2	0	0	0
CRT 1	2	1	1
2	2	1	2
3	2	1	2
4	0	0	0
L 1	0	0	0
2	0	0	0
MM 1	2	1	1
2	2	1	2

TRANSITION GPC 1,2,3,4 TO GNC OPS 3

CONFIG GPC	LOSS OF		
	BAY 1	BAY 2	BAY 3
	3 02300	3 10040	3 12040
STR 1	3	1	1
2	2	4	2
3	3	1	4
4	2	4	2
PL 1/2	2	1	1
CRT 1	2	1	1
2	3	4	2
3	2	1	4
4	0	0	0
L 1	0	0	0
2	0	0	0
MM 1	2	1	1
2	3	4	2

Cont next page

LOSS OF AV BAY AIR COOLING (Cont)

RECONFIG MC 9 TABLE (GNC 9) FOR POST LANDING →

5. In C,P ENT FWD FLT DECK CONFIG:

- O14:A | If AV BAY 1 air cooling lost:
- O15:A | √BRAKES MNA – OFF
- O16:A | MNB – ON
- | √MNC – OFF
- O14:A | If AV BAY 2 air cooling lost:
- O15:A | BRAKES MNA – ON
- O16:A | √MNB – OFF
- | MNC – ON

6. ENT SWITCH LIST/VERIF will not reflect pwrdrn items

7. Incorporate following pen and inks to ENT MNVR

Cue Cards:

- EI: Power up affected air-cooled equipment except affected TACAN (OV103,4) (EQUIP COOLING MATRIX, ENT PKT, ECLS)

If OV103,4:

- V = 10K: If unaffected TACAN failed, Affected TACAN MODE – GPC

O7

8. If just prior to OPS 302 TRANSITION, affected GPCs have been in HALT for ≥ 3.5 hr, add to RS as follows:

- a. Modify MC3 per table →
- b. MODE affected GPCs to RUN
- c. BFC CRT DISP – OFF
OPS 301 PRO
BFC CRT DISP – ON
BFS GNC I/O RESET
- d. FCS CH (four) – AUTO

9. Update GPC/FCS CHANNEL CONFIGURATION (Cue Card)

CONFIG	LOSS OF		
	BAY 1	BAY 2	BAY 3
GPC	9	9	9
	02300	10040	12040
STR 1	3	1	1
2	2	4	2
3	3	1	4
4	2	4	2
PL 1/2	2	1	1
CRT 1	2	1	1
2	3	4	2
3	0	0	4
4	3	4	0
L 1	0	0	1
2	0	0	2
MM 1	2	1	1
2	3	4	2

CONFIG	LOSS OF		
	BAY 1	BAY 2	BAY 3
GPC	3	3	3
	12340	12045	12340
STR 1	1	1	1
2	2	2	2
3	3	4	4
4	4	5	3
PL 1/2	2	1	1
CRT 1	2	1	1
2	1	2	2
3	3	4	4
4	0	0	0
L 1	0	0	0
2	0	0	0
MM 1	2	1	1
2	3	4	2

8 PSI DEORBIT PREP

Assumes LOSS OF CABIN PRESS (ORB PKT, PWRDN) accomplished

If TIG < 4 hr: Begin NOMINAL DEORBIT PREP timeline at TIG-4 hr immediately and perform procedures as rapidly as possible with all following CONTINGENCY DELTAS except step 7

If TIG > 4 hr: Perform steps 1, 2, 3, and 4;

At TIG-4 hr, perform NOMINAL DEORBIT PREP with all remaining CONTINGENCY DELTAS

1. Back out of PRIORITY PWRDN, as reqd (ORB PKT, PRIOR PWRDN)
2. If previous FC PURGE was not accomplished within last 6 hr: Accomplish FC PURGE (ORB OPS, EPS) anytime prior to DPS ENTRY CONFIG
3. MS accomplish CABIN CONFIG/STOW (FLIGHT PLAN) as time permits
4. Perform IMU ALIGN-S TRK (ORB OPS, GNC)
√MCC for align attitudes or use STAR PAIRS PAD (ORB OPS FS, PTG)
5. Leave shades in until SEAT INGRESS
6. Minimize IDP/MDU use until TIG-20
7. Delay blocks 4a and 4b until immediately prior to DPS ENTRY CONFIG block 12. In block 4a activate GPC 1 stringing 1212
8. Replace RAD BYPASS/FES C/O with following:

	√DAP: A/AUTO/ALT (PRI)
ML86B:A	√cb MNC SPLY H2O XOVR VLV – cl
R11L	√SPLY H2O TK A OUTLET – CL (tb-CL) XOVR VLV – OP (tb-OP)
L1	√HI LOAD DUCT HTR – B EVAP – ENA RAD BYP VLV MODE (two) – MAN MAN SEL (two) – BYP (tb-BYP ~3 sec) RAD CNTLR LOOP (two) – OFF After 2.5 min:
O1	√FREON EVAP OUT TEMP ind: 39 ± 1 degF
L1	√FLOW PROP VLV LOOP 1,2 tb (two) – ICH RAD CNTLR OUT TEMP – NORM

Cont next page

8 PSI DEORBIT PREP (Cont)

9. In DED DISP ENT CONFIG, delay activation of ADTAs, GPS, TACANs, MLS, RAs, and DDU
10. In ENT FWD FLT DECK CONFIG block 14, skip panel L2 actions under PCS/ARS CONFIG
11. In ENT MIDDECK CONFIG block 16, skip all of MIDDECK PCS
12. Continue to manage cabin atmosphere per O2(N2) FLOW HIGH/CABIN P LOW/dP/dT (OPCL, ECLS) as reqd until just prior to WCS DEACT block 27. When ready to perform WCS DEACT, config PCS as follows:

MO10W	14.7 CABIN REG INLET SYS 1,2 – CL
	O2 REG INLET SYS 1,2 – CL
	H2O TK N2 REG INLET 1,2 VLV – OP
MO69M	LEH O2 8 VLV – CL
	Remove, stow Bleed Orifice
L2	O2/N2 CNTRL VLV SYS 1,2 – OP
	O2 XOVR SYS 1,2 – OP
C5	DIRECT O2 VLV – CL
	When PPO2 < 2.2
	DON ACES, open LEH O2 vlvs
	check tabs, visors – CL, Suit O2 – ON
13. ENTRY SWITCH LIST/VER will not reflect pwrnd items

IN ENT CL

14. At TIG-4, activate DDU
15. At EI-15, activate unpowered GPS. Work star block in step 2a of GPS TROUBLESHOOTING (EPCL, GNC) (any vehicle) |
16. At EI, activate ADTAs
17. At V=15K, activate TACANs (except OV105), MLSs, RAs

AV BAY FIRE

Assumes AV BAY FIRE (ORB PKT, PWRDN) and MAL, ECLS SSR-12, AV BAY FIRE RECOVERY/RECONFIG accomplished

1. For Av Bay 1 or 2 loss, skip DPS CONFIG FOR D/O PREP 4a , but perform ENSURE BFS GPC CAN COMMAND AN IDP 4b
If Av Bay 3 loss, perform both DPS CONFIG FOR D/O PREP 4a and ENSURE BFS GPC CAN COMMAND AN IDP 4b
2. In APU/HYD CONFIG:
If AV BAY 1 or 2 air cooling lost:
| FCS CH (four) – ORIDE
If AV BAY 3 air cooling lost:
√FCS CH 1,2,3 (three) – AUTO
4 – OFF
3. During DED DISP ENT CONFIG, power up only three ADTAs, three AAs, two MLSs, and two GPS (OV105) or two TACANs (OV103,4)

AV BAY FIRE (Cont)

4. During DPS ENTRY CONFIG
 - a. If loss of Av Bay 3, do not pwrap GPC 3
 - b. During SM CHECKPOINT, skip MMU 1 (if Av Bay 1) or MMU 2 (if Av Bay 2)
 - c. Using column for affected Av Bay, substitute appropriate NBAT in following activities

TRANSITION GPC 1 & 2 TO OPS 3

CONFIG GPC	LOSS OF		
	BAY 1	BAY 2	BAY 3
	3 02000	3 10000	3 12000
STR 1	2	1	1
2	2	1	2
3	2	1	1
4	2	1	2
PL 1/2	0	0	0
CRT 1	2	1	1
2	2	1	2
3	2	1	2
4	0	0	0
L 1	0	0	0
2	0	0	0
MM 1	2	1	1
2	2	1	2

TRANSITION GPC 1,2,3,4 TO OPS 3

CONFIG GPC	LOSS OF		
	BAY 1	BAY 2	BAY 3
	3 02300	3 10040	3 12040
STR 1	3	1	1
2	2	4	2
3	3	1	4
4	2	4	2
PL 1/2	2	1	1
CRT 1	2	1	1
2	3	4	2
3	2	1	4
4	0	0	0
L 1	0	0	0
2	0	0	0
MM 1	2	1	1
2	3	4	2

**RECONFIG MC 9 TABLE (GNC 9)
FOR POST LANDING**

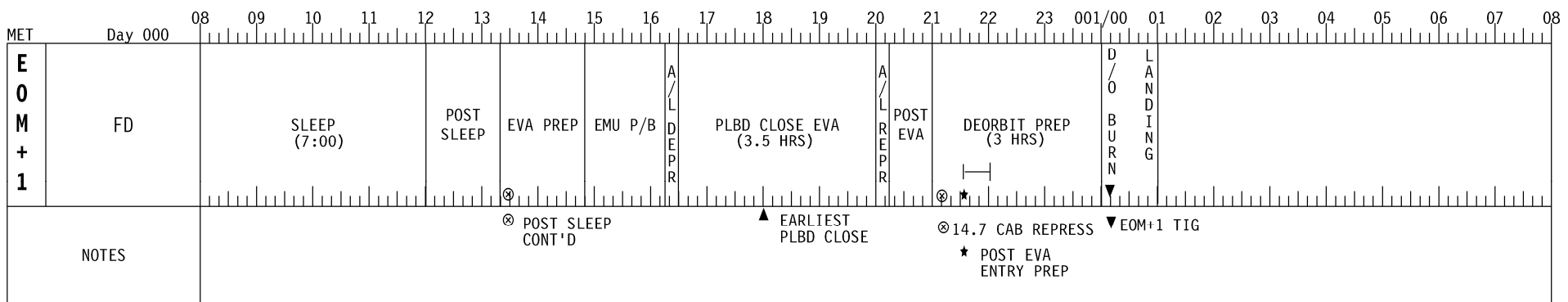
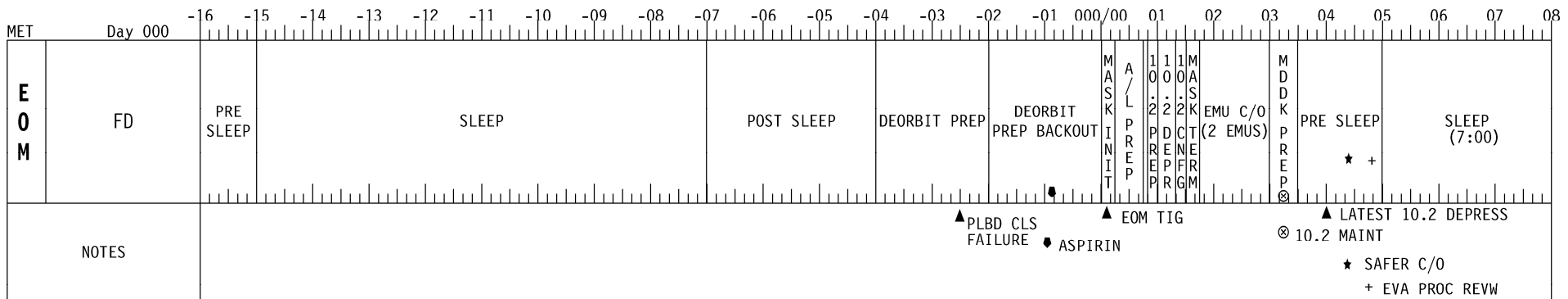
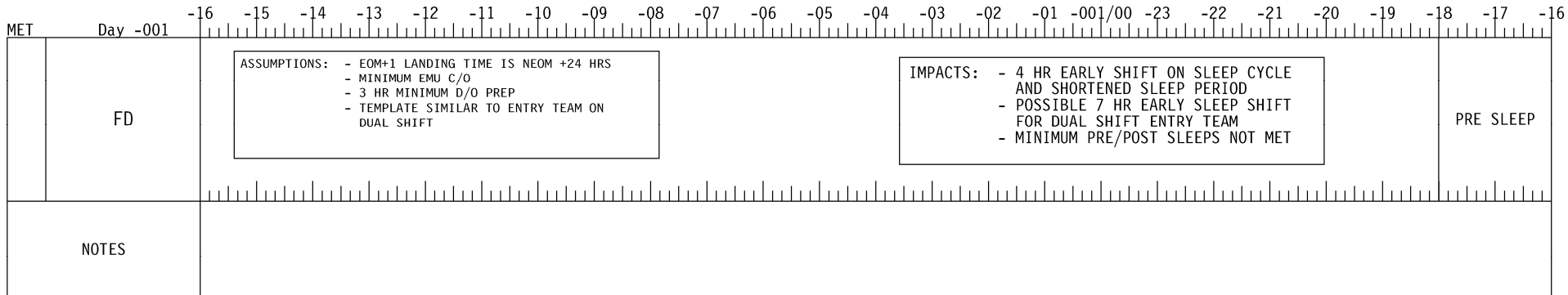
CONFIG GPC	LOSS OF		
	BAY 1	BAY 2	BAY 3
	9 02300	9 10040	9 12040
STR 1	3	1	1
2	2	4	2
3	3	1	4
4	2	4	2
PL 1/2	2	1	1
CRT 1	2	1	1
2	3	4	2
3	0	0	4
4	3	4	0
L 1	0	0	1
2	0	0	2
MM 1	2	1	1
2	3	4	2

5. ENT SWITCH LIST/VERIF pictorials will not reflect pwrn items

This Page Intentionally Blank

PLBD CONTINGENCY EVA TIMELINE

This Page Intentionally Blank

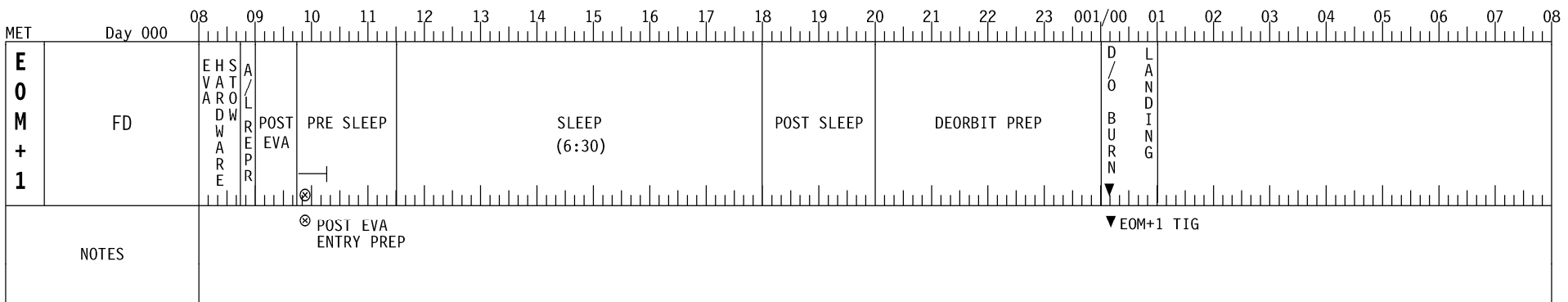
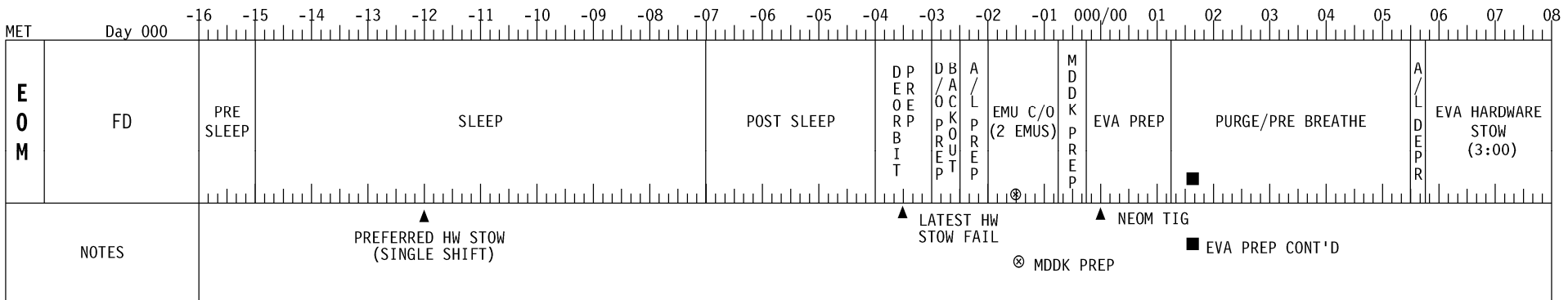
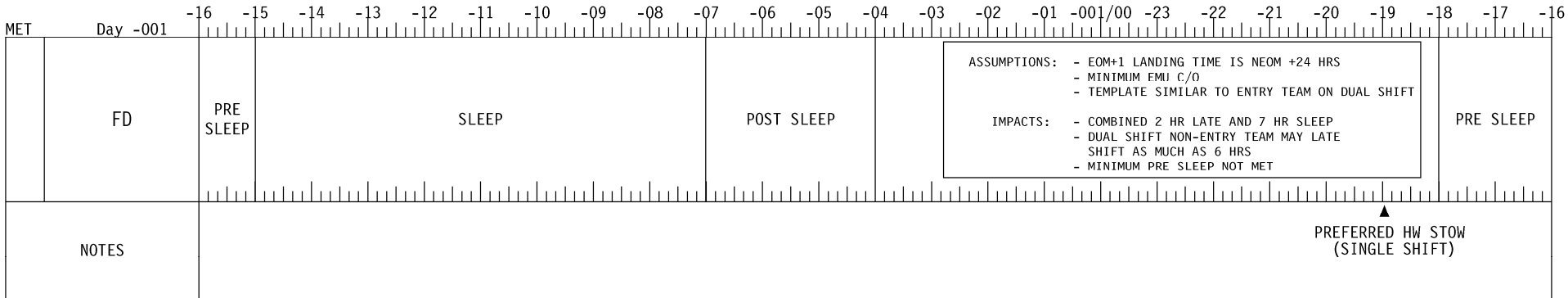


PLBD CONTINGENCY EVA NOTES

1. This timeline is an overview template that covers a payload bay door contingency EVA with a 10.2 cabin depress. The scenario starts from a closure failure 1.5 hr into the deorbit prep followed by a D/O PREP BACKOUT and cabin depress activities. The EVA and landing will occur on the EOM + 1 day
2. The timeline assumes that a two-crewmember 3.5 hr EVA to repair the problem is immediately followed by an entry to the prime landing site
3. Specific procedure block callouts for the EV and IV crewmembers during the EVA will be coordinated in real time
4. RCS hot fire testing, FCS C/O, and CABIN STOW are assumed to be previously accomplished
5. The timeline utilizes minimum activity durations for POST/PRE SLEEPS, EMU C/O, and DEORBIT PREP
6. The crew will be reqd to perform A/L PREP during Mask Pre-Breathe prior to cabin depress
7. Due to necessity of performing the EVA on the same day as landing, the crew is reqd to start their sleep period 3.5 hr earlier than the previous day
8. This template can be adapted for dual-shift timelines by scheduling Non-Entry team sleep with Entry team sleep in order to modify the timeline to single-shift operations
9. The MET scale on this timeline is actually a PET scale counting down to nominal deorbit TIG

HARDWARE CONTINGENCY EVA TIMELINE

This Page Intentionally Blank



HARDWARE CONTINGENCY EVA NOTES

1. This timeline is an overview template that covers KU antenna, RMS, and RAD stow contingency EVAs with a “no cabin depress” scenario starting from a stow failure as late as 30 min into deorbit prep. The Pre-Breathe and EVA will be performed after D/O BACKOUT is complete and a landing will occur on the EOM + 1 day
2. The timeline assumes a two-crewmember 3 hr EVA to repair the problem
3. Specific procedure block callouts for the EV and IV crewmembers during the EVA will be coordinated in real time
4. RCS hot fire testing, FCS C/O, and CABIN STOW are assumed to be previously accomplished
5. The timeline utilizes minimum activity durations for EMU C/O and PRE/POST SLEEP
6. Due to the necessity of the timeline, the crew is reqd to shorten their sleep to 7 hr and shift the sleep late by 2 hr
7. This template can be adapted for dual-shift timelines by scheduling Non-Entry team sleep with Entry team sleep in order to modify the timeline to single-shift operations
8. The MET scale on this timeline is actually a PET scale counting down to nominal deorbit TIG

CUE CARD CONFIGURATION

MS MIDDECK ACTIVITIES (Front).....	CC 8-2
(Back).....	CC 8-3
MS MIDDECK BACKOUT ACTIVITIES (Front)	CC 8-4
(Back).....	CC 8-5

CUE CARD
CONFIG

CUE CARD CONFIG

TOP

MS MIDDECK ACTIVITIES

NOTE

WAIT FOR GO FROM CDR OR PLT BEFORE STARTING ANY ACTIVITY ON THIS PAGE

TIME (TIG-)	MS MIDDECK ACTIONS
3:50	<u>ENT STOWAGE</u> [3]
3:50	<u>ENT AIRLOCK CONFIG</u> [3A], 1-32
3:35	<u>SPECIALIST SEAT INSTALLATION</u> Verify Leg Attach Collars (four) – DOWN/LOCKED Verify LiOH Door Latches (four) – ENGAGED
3:10	<u>PARTIAL ENT SWITCH LIST/VERIF (MID)</u> , 3-10 thru 3-12
1:55	<u>ENT MIDDECK CONFIG</u> [16]
1:50	<u>FINAL ENT SWITCH LIST/VERIF (MID)</u> , 3-30 thru 3-32
1:40	<u>ENTRY REVIEW</u>
1:28	DSO 603, if reqd (BIOMED, BIOMED DSOs)
1:10	<u>CLOTHING CONFIG</u> [20], 1-32
1:00	Begin Fluid Loading per individual prescription. Fluid Loading should be completed by EI For 1 rev waveoff, repeat half the protocol If > 1 rev waveoff, repeat entire protocol
0:55	Remove, stow Side Hatch UV Filter, Locking Device, and Pyro Box Safing Pin
0:51	<u>MD AUD SPKR CONFIG</u> [29], 1-32
0:35	<u>GALLEY DEACT</u> [26]
0:33	<u>WCS DEACT</u> [27], 1-32

<u>ENT MIDDECK CONFIG</u> [16]	
MO42F	<u>ENTRY COMM</u> MIDDECK SPKR AUD A/G 1 – T/R A/G 2 – T/R A/A – T/R ICOM (two) – T/R VOX SENS – R VOL tw (five) – R XMIT/ICOM MODE – R
MO10W	<u>MIDDECK PCS</u> 14.7 CAB REG INLET vlv (two) – CL H2O TK N2 REG INLET vlv (two) – OP O2 REG INLET vlv (two) – CL
MO32M	LEH O2 vlv (two) – R
MO69M	LEH O2 8 vlv – CL Remove, stow O2 Bleed Orifice LEH O2 8 vlv – R 7 vlv – R
SIDE HATCH	NEG PRESS RLF VLV COVER (two) – pull open to vent; push firmly to close
MA73C:F	<u>RMS PNL LTS</u> (if RMS onboard) cb RMS PRI ΦA – op B/U ΦA – op <u>AC UTILITY OUTLET</u> cb AC1 MAR 3Φ – op

<u>ENT STOWAGE</u> [3] <u>PERSONAL HYGIENE SYS STOWAGE</u> Stow: Personal Hygiene Kits Hose <u>AIRLOCK CLOSEOUT</u> Tether soft goods to EVA tether point or A/L Stowage Bag. Gray Tape to floor <u>POLE SETUP</u> Reinstall Stbd Pip Pin Reinstall large Port Pin: Retract and hold Locking Pin (Ring) Reinstall large Pin Release Locking Pin (Ring) Slide forward Safing Latch √Pole Straps secure <u>DFD STOWAGE</u> Stow FLIGHT PLAN <u>CABIN CONFIG</u> Stow: Backup PGSC Middeck Camrs, Accessories FWD/AFT Shades, Filters Exercise Equipment Quick Don Masks √Retention net is in ASC/ENT config <u>EGRESS ROUTE CONFIG</u> Tape Foot Loops in egress routes <p style="text-align: center;"><u>NOTE</u></p> Chemlights are middeck carry-on items. Activate green chemlights after TIG. Do not activate orange chemlights (slide ops only) Install green chemlights (8 ea) near egress hdw and egress routes Install orange chemlights (2 ea) above side hatch

<u>GALLEY DEACT</u> [26]	
GALLEY	OVEN/RHS – OFF H2O HTRS (two) – OFF √OVEN FAN – OFF √REHYD STA lever – cl (push in) √OVEN DOOR LATCH – latched
MA73C:G	cb AC3 GALLEY FAN (three) – op
ML86B:A	MNC SPLY H2O GALLEY SPLY – op
:B	MNA GALLEY OVEN – op
	MNB GALLEY H2O HTR – op

HOOK
VEL-
CRO

HOOK
VEL-
CRO

HOOK
VEL-
CRO

CC-8-2
(reduced copy)

D/O/ALL/GEN P, 6

D/O-1a/E/F

TOP
BACK OF "MS MIDDECK ACTIVITIES"

ENT AIRLOCK CONFIG 3A	
MIDDECK FLR	1. Disconnect Duct from aft middeck floor fitting and strap to Tunnel Extension wall
EXT A/L	2. Unstow, install diffuser cap on aft middeck floor fitting
	3. NEG PRESS RLF vlv cover (two) – pull open to vent; push firmly to close
AW18A	4. LTG FLOOD 1(3,4) – OFF
INNER HATCH	5. Perform AIRLOCK ENTRY SWITCH LIST/VERIFICATION, 3-3
	6. Close hatch: Position handle to preclosing posn per decal Hatch – rotate about hinge and push Handle – CCW to LATCH Lock lever to LOCKED
MIDDECK FLR	7. Equal vlv (two) – NORM, install caps
MO13Q	8. √EMU O2 ISOL vlv – CL
	9. AIRLK 2 – OFF/ON
ML86B:C	10. √AIRLK H2O S/O vlv – OP (tb-op)
:F	11. √cb MNB EXT ARLK HTR VEST Z1/2/3 – op
	12. cb MNA FLOODS AIRLK 1 – op MIDDECK 9 – op cb MNB FLOODS MIDDECK 10 – op AIRLK 3 – op cb MNC FLOODS AIRLK 4 – op
:G	13. cb ESS 1BC FLOOD AIRLK 2 – op

CLOTHING CONFIG 20	
	Unstow, don: ACES Harness Boots
	Verify ACES Gloves (Spare) available. Relocate as reqd
	Remove radiation dosimeter from inflight garments and insert in ACES; if waveoff, remove radiation dosimeter from ACES and insert in inflight garments
	NOTE Refer to flight specific utility outlet plug-in plan if reqd
	Connect middeck cooling units per PWR/DATA/VIDEO: ASCENT/ENTRY CONFIG (REF FS, UTIL PWR)
MO13Q, MO30F, MO52J, PDB J2(3,4), ML85E (MUP)	DC UTIL PWR MNA(B,C) – ON as reqd Cooling units – Hose Jumper Plug installed Pre-chill cooling units 10 min prior to seat ingress

WCS DEACT 27	
WCS	VAC VLV – CL √MODE sel – AUTO FAN SEP sel – OFF Unstow hose from cradle, attach hose to WCS housing via Velcro straps Stow: WCS Trash Can Mirror Privacy Curtain Foot/toe restraints – up, latched Close and latch door
ML31C	VAC VENT ISOL VLV BUS SEL – MNB CNTL – CL (tb-CL) NOZ HTR – OFF √Middeck lts as reqd

MD AUD SPKR CONFIG 29	
MO42F MO39M	MIDDECK AUD SPKR PWR – OFF MIDDECK COMM CCU PWR – OFF Disconnect and stow Handheld Mic Configure MHA to MID CCU per entry plug-in plan Connect Lightweight Headsets or ACES Comm Cap MIDDECK COMM CCU PWR – ON

HOOK
VEL-
CRO

HOOK
VEL-
CRO

HOOK
VEL-
CRO

CC-8-3

(reduced copy)

D/O/ALL/GEN P,X

D/O-1b/E/X

TOP

MS MIDDECK BACKOUT ACTIVITIES

NOTE
WAIT FOR GO FROM CDR OR PLT BEFORE STARTING ANY ACTIVITY ON THIS PAGE

TIME (ET)	MS MIDDECK ACTIONS
00:20	<u>SPECIALIST SEAT EGRESS</u>
00:21	MO32M LEH O2 vlv (two) – CL MO69M LEH O2 vlv (two) – CL
00:22	<u>PRELIM MIDDECK CONFIG</u> [7]
00:40	If reqd, PAYLOAD REACT. (PL OPS, DEORB PREP) or PAYLOAD REACTIVATION (SODF: ASSY OPS: DEORBIT PREP)
00:52	<u>MIDDECK CONFIG</u> [14]
01:00	<u>CLOTHING CONFIG</u> [15], 2-18
01:40	<u>ON-ORBIT PCS 2(1) CONFIG</u> [19], 2-18
01:42	<u>SPECIALIST SEAT REMOVAL/STOWAGE</u>
01:50	<u>AIRLOCK SETUP FOR INGRESS</u> [21], 2-18

<u>PRELIM MIDDECK CONFIG</u> [7]	
	<u>INSTALL FILTERS</u> Unstow,install: Side Hatch UV Filter and Locking Device Pyro Box Safing Pin
	<u>COMM CONFIG</u> Unstow: Headsets, Handheld Mics and/or Wireless Comm if flown (see <u>WCCS COMM PLAN</u> (Cue Card))
	If WCCS perform STD WCCS CONFIG (ORB OPS, <u>COMM/INST</u>) or see <u>WCCS COMM PLAN</u> (Cue Card)
	If middeck Handheld Mic/speaker operation:
MO42F	MIDDECK SPKR AUD SPKR PWR – SPKR/MIC A/G 1 – T/R, tw-2 A/G 2 – RCV, tw-2 A/A – RCV, tw-2 ICOM A – T/R, tw-2 ICOM B – RCV, tw-2 XMIT/ICOM MODE – PTT/PTT MSTR SPKR VOL – 8
MO39M	MIDDECK COMM CCU PWR – OFF Connect Handheld Mic to CCU MIDDECK COMM CCU PWR – ON
ML31C	<u>HTR CONFIG</u> VAC VENT ISOL VLV BUS SEL – MNA NOZ HTR – ON ISOL VLV CNTL – OP (tb-OP)
	* If VAC VENT ISOL VLV CNTL tb – CL or bp: *
	* VAC VENT ISOL VLV BUS SEL – MNB *
	* CNTL – OP (tb-OP) *
	* If VAC VENT ISOL VLV CNTL tb still CL or bp: *
	* √MCC for further actions *

<u>MIDDECK CONFIG</u> [14]	
ML86B:A	<u>GALLEY ACTIVATION</u>
:B	cb MNC SPLY H2O GALLEY SPLY – cl cb MNA GALLEY OVEN – cl cb MNB GALLEY H2O HTR – cl
R11L:G	√SPLY H2O GALLEY SPLY VLV – OP (tb-OP)
GALLEY	H2O HTRS (two) – ON OVEN/RHS – ON
MA73C:G	cb AC3 GALLEY FAN (three) – cl Unstow,install Personal Hygiene Hose
WCS	<u>WCS ACTIVATION</u> VAC VLV – OP
	Unstow Urinal Hose from Velcro strap, install hose in cradle
	√MODE – AUTO
	√CRADLE – AUTO
	FAN SEP SEL sw – 1
	Unstow hose from cradle (√airflow)
	√WCS ON It – ON
	Stow hose in cradle
	√WCS ON It – OFF
	Unstow,install: WCS Trash Can Mirror Urine Collection Cue Card Foot/Toe Restraint – down,locked
	(Cont next page)

HOOK
VEL-
CRO

HOOK
VEL-
CRO

HOOK
VEL-
CRO

CC 8-4

(reduced copy)

D/O/ALL/GEN P,6

D/O-2a/E/D

TOP
BACK OF "MS MIDDECK BACKOUT ACTIVITIES"

If PRIORITY PWRDN GROUP C not reqd:
PGSC ACTIVATION (backup PGSC) PGSC
ACTIVATION (ORB OPS, PGSC)

POLE STOWAGE

Remove large Port Pin:
Slide back Safing Latch
Retract and hold Locking Pin (Ring)
Remove large Pin
Release Locking Pin (Ring)
Remove Stbd Pip Pin
Stow Pole

FLOODLIGHT CONFIG

If TNL ADAPT flown:

ML86B:E	cb MNA FLOOD TNL ADAPT 2 – cl
	cb MNB FLOOD TNL ADAPT 3 – cl
	cb MNC FLOOD TNL ADAPT 4 – cl
ML86B:F	cb MNA FLOODS AIRLK 1 – cl
	MIDDECK 9 – cl
	cb MNB FLOODS MIDDECK 10 – cl
	AIRLK 3 – cl
	cb MNC FLOODS AIRLK 4 – cl
ML86B:G	cb ESS 1BC FLOOD AIRLK 2 – cl

If TNL ADAPT flown:
cb ESS 1BC FLOOD TNL ADAPT 1 – cl

CLOTHING CONFIG 15

Doff/stow:
Harness, Boots, ACES, UCD (if not used)

Remove radiation dosimeter from ACES and insert in inflight garments

Doff, stow in Wet Trash (if used):
UCD (clamp)
Emesis Bag (unstow new bag)

ON-ORBIT PCS 2(1) CONFIG 19

C	L2	√O2 XOVR SYS (two) – OP
		O2/N2 CNTLR VLV SYS 1(2) – CL
		2(1) – AUTO
	O1	O2/N2 FLOW sel – SYS 2(1) O2
	C7	√LEH O2 SPLY vlv (two) – OP
		Expect possible 'S66 CAB O2(N2) FLO 2(1)' msg
MS	MO10W	14.7 CAB REG INLET SYS 2(1) vlv – OP
		H2O TK N2 REG INLET SYS 1(2) vlv – CL
		O2 REG INLET SYS 2(1) vlv – OP
	MO69M	√LEH O2 8 vlv – CL
		Insert O2 Bleed Orifice Assembly into LEH O2 8 QD
		LEH O2 8 vlv – OP

AIRLOCK SETUP FOR INGRESS 21

INNER	1. Equal vlv caps (two) – remove, stow
HATCH	2. √Equal vlv (two) – NORM
	3. Open hatch per decal
AW18A	4. LTG FLOOD 1(3,4) – ON (as reqd)
MO13Q	5. AIRLK 2 – ON/OFF
	6. √AIRLK H2O S/O vlv – OP (tb-op)
MIDDECK FLR	7. √EMU O2 ISOL vlv – CL
	8. Remove, stow diffuser cap on middeck floor air fitting (mark)
	9. Unstow, install bypass duct to middeck floor fitting
	10. √Airflow at top of external airlock halo

If Spacehab flown and reingress desired:
11. Go to SPACEHAB INGRESS AFTER WAVEOFF
(SH OPS, ON-ORBIT)

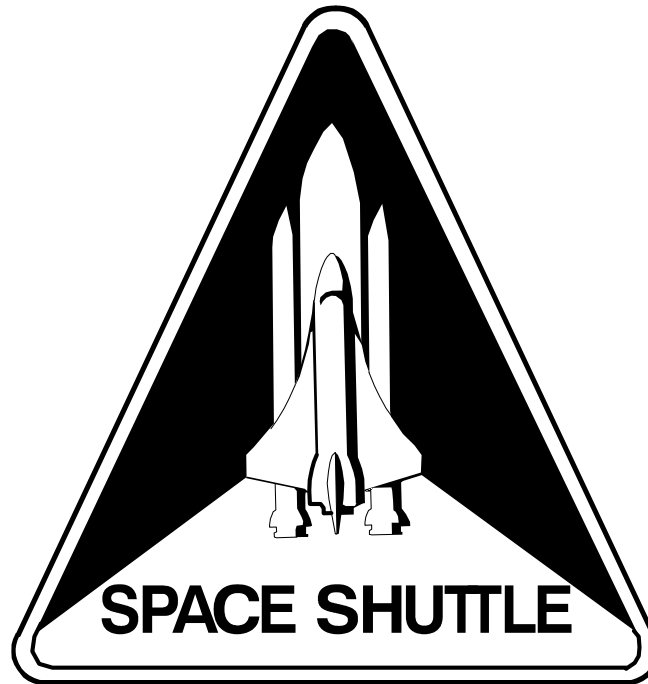
If orbiter only and Spacehab reingress not desired:
12. Unstow bypass duct from Tunnel Extension wall and install on middeck floor fitting

HOOK
VEL-
CRO

HOOK
VEL-
CRO

HOOK
VEL-
CRO

This Page Intentionally Blank



DEORBIT PREP

**STS
ALL**