

EVA Checklist

STS-114 Flight Supplement

**Mission Operations Directorate
EVA, Robotics, and Crew Systems
Operations Division**

**Final, Rev A
August 19, 2004**

NOTE

This supplement is to be integrated into the generic edition to provide a complete document for the specific flight. Some pages in the generic edition may be replaced with supplemental pages identified as 'TEMP'. These generic pages, if any, must be retained for use on future flights.

National Aeronautics and
Space Administration

Lyndon B. Johnson Space Center
Houston, Texas



MISSION OPERATIONS DIRECTORATE

**EVA CHECKLIST
STS-114 FLIGHT SUPPLEMENT**

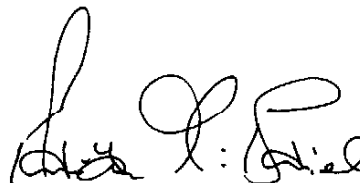
FINAL, REV A
August 19, 2004

PREPARED BY:

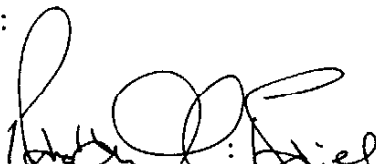


Matthew M. Myers
Book Manager


APPROVED BY:



for Mary A. Fitts
Lead, EVA Systems Group



Randall S. McDaniel
Lead, EVA Task Group



James V. Thornton
Chief, EVA and Crew Systems Operations Branch

This document is under the configuration control of the Crew Procedures Control Board (CPCB). Except for Discrepancy Notices (DN) approved at the flight operations review (FOR), all proposed changes must be submitted via FDF Workflow Crew Procedure Change Request (CR) to DO3/FDF Manager.

Additional distribution of this book, for official use only, may be requested in writing to DO3/FDF Manager. The request must include justification and requester's name, organization, position, and phone number. Contractor requests are made through the NASA or DOD organization supported. Deletions, reduction in quantity, or change of address may be submitted to DO3/FDF Management Office, 281-244-1184.

Incorporates the following:
482#: None – Establishes baseline

AREAS OF TECHNICAL RESPONSIBILITY

Book Manager	DX32/M. Myers	281-483-7501
Alternate Book Manager	DX32/C. Begley	281-483-7495

EVA CHECKLIST
STS-114 FLIGHT SUPPLEMENT

LIST OF EFFECTIVE PAGES

FINAL 12/06/02
REV A 08/19/04

Sign Off	*	114/FIN A	4-4	generic
FS ii	*	114/FIN A	4-5	generic
iii	*	generic	4-6	generic
iv	*	generic	4-7	generic
FS v	*	114/FIN A	4-8	generic
FS vi	*	114/FIN A	4-9	generic
FS vii	*	114/FIN A	4-10	generic
FS viii	*	114/FIN A	FS CC 4-11	114/FIN A
FS ix		114/FIN A	FS CC 4-12	114/FIN A
FS x		114/FIN A	5-1	generic
FS xi		114/FIN A	5-2	generic
FS xii		114/FIN A	5-3	generic
FS xiii		114/FIN A	5-4	generic
FS xiv		114/FIN A	A6-1	generic
1-1		generic	CC A6-2	generic
1-2		generic	6-3	generic
1-3		generic	CC 6-4	generic
1-4		generic	FS 7-1	114/FIN A
1-5		generic	FS 7-2	114/FIN A
1-6		generic	FS 7-3	114/FIN A
1-7		generic	FS 7-4	114/FIN A
1-8		generic	FS 7-5	114/FIN A
1-9		generic	FS 7-6	114/FIN A
1-10		generic	FS 7-7	114/FIN A
2-1		generic	FS 7-8	114/FIN A
2-2		generic	FS 7-9	114/FIN A
2-3		generic	FS 7-10	114/FIN A
2-4		generic	FS 7-11	114/FIN A
2-5		generic	FS 7-12	114/FIN A
2-6		generic	FS 7-13	114/FIN A
3-1		generic	FS 7-14	114/FIN A
3-2		generic	FS 7-15	114/FIN A
3-3		generic	FS 7-16	114/FIN A
3-4		generic	FS 7-17	114/FIN A
3-5		generic	FS 7-18	114/FIN A
3-6		generic	FS 7-19	114/FIN A
3-7		generic	FS 7-20	114/FIN A
3-8		generic	FS 7-21	114/FIN A
CC 3-9		generic	FS 7-22	114/FIN A
CC 3-10		generic	FS 7-23	114/FIN A
3-11		generic	FS 7-24	114/FIN A
3-12		generic	FS 7-25	114/FIN A
TEMP FS 4-1		114/FIN A	FS 7-26	114/FIN A
TEMP FS 4-2		ALL/FIN A	FS 7-27	114/FIN A
4-3		generic	FS 7-28	114/FIN A

* – Omit from flight book

FS 7-29	114/FIN A	12-17	generic
FS 7-30	114/FIN A	12-18	generic
FS 7-31	114/FIN A	13-1	generic
FS 7-32	114/FIN A	13-2	generic
FS 7-33	114/FIN A	13-3	generic
FS 7-34	114/FIN A	13-4	generic
FS 7-35	114/FIN A	14-1	generic
FS 7-36	114/FIN A	14-2	generic
8-1	generic	14-3	generic
8-2	generic	14-4	generic
8-3	generic	14-5	generic
8-4	generic	14-6	generic
8-5	generic	14-7	generic
8-6	generic	14-8	generic
9-1	generic	14-9	generic
9-2	generic	14-10	generic
9-3	generic	14-11	generic
9-4	generic	14-12	generic
9-5	generic	14-13	generic
9-6	generic	14-14	generic
10-1	generic	14-15	generic
10-2	generic	14-16	generic
10-3	generic	14-17	generic
10-4	generic	14-18	generic
10-5	generic	14-19	generic
10-6	generic	14-20	generic
10-7	generic	14-21	generic
10-8	generic	14-22	generic
10-9	generic	15-1	generic
10-10	generic	15-2	generic
11-1	generic	15-3	generic
11-2	generic	15-4	generic
11-3	generic	15-5	generic
11-4	generic	15-6	generic
12-i	generic	15-7	generic
12-ii	generic	15-8	generic
12-1	generic	15-9	generic
12-2	generic	15-10	generic
12-3	generic	15-11	generic
12-4	generic	15-12	generic
12-5	generic	15-13	generic
12-6	generic	15-14	generic
12-7	generic	16-i	generic
12-8	generic	16-ii	generic
12-9	generic	TEMP FS 16-1	114/FIN A
12-10	generic	TEMP FS 16-2	ALL/FIN A
12-11	generic	FS 16-3	114/FIN A
12-12	generic	FS 16-4	114/FIN A
12-13	generic	FS 16-5	114/FIN A
12-14	generic	FS 16-6	114/FIN A
12-15	generic	FS 16-7	114/FIN A
12-16	generic	FS 16-8	114/FIN A

FS 16-9	114/FIN A	FS 18-39.....	114/FIN A
FS 16-10	114/FIN A	FS 18-40.....	114/FIN A
FS 16-11	114/FIN A	FS 18-41.....	114/FIN A
FS 16-12	114/FIN A	FS 18-42.....	114/FIN A
FS 16-13	114/FIN A	FS 18-43.....	114/FIN A
FS 16-14	114/FIN A	FS 18-44.....	114/FIN A
FS 16-15	114/FIN A	FS 18-45.....	114/FIN A
FS 16-16	114/FIN A	FS 18-46.....	114/FIN A
FS 16-17	114/FIN A	19-i	generic
FS 16-18	114/FIN A	19-ii.....	generic
FS 16-19	114/FIN A	19-1	generic
FS 16-20	114/FIN A	19-2	generic
17-1.....*	generic	19-3.....	generic
17-2.....*	generic	19-4.....	generic
FS 18-1	114/FIN A	19-5.....	generic
FS 18-2	114/FIN A	19-6.....	generic
FS 18-3	114/FIN A	19-7	generic
FS 18-4	114/FIN A	19-8	generic
FS 18-5	114/FIN A	19-9	generic
FS 18-6	114/FIN A	19-10	generic
FS 18-7	114/FIN A	20-1	generic*
FS 18-8	114/FIN A	20-2	generic*
FS 18-9.....	114/FIN A		
FS 18-10	114/FIN A		
FS 18-11	114/FIN A		
FS 18-12	114/FIN A		
FS 18-13	114/FIN A		
FS 18-14	114/FIN A		
FS 18-15	114/FIN A		
FS 18-16	114/FIN A		
FS 18-17	114/FIN A		
FS 18-18	114/FIN A		
FS 18-19	114/FIN A		
FS 18-20	114/FIN A		
FS 18-21	114/FIN A		
FS 18-22	114/FIN A		
FS 18-23	114/FIN A		
FS 18-24	114/FIN A		
FS 18-25	114/FIN A		
FS 18-26	114/FIN A		
FS 18-27	114/FIN A		
FS 18-28	114/FIN A		
FS 18-29	114/FIN A		
FS 18-30	114/FIN A		
FS 18-31	114/FIN A		
FS 18-32	114/FIN A		
FS 18-33	114/FIN A		
FS 18-34	114/FIN A		
FS 18-35	114/FIN A		
FS 18-36	114/FIN A		
FS 18-37	114/FIN A		
FS 18-38	114/FIN A		

* – Omit from flight book

EVA CUE CARDS

<u>Title</u>	<u>Ref. Page</u>	<u>Card No.</u>
SAFER CHECKOUT RESULTS (Front).....	CC 3-9	generic
SAFER STATUS TROUBLESHOOTING (Back)	CC 3-10	generic
EVA PREBREATHE CUE CARD (Front).....	FS CC 4-11	EVA-5a/114/O/B
(Back)	FS CC 4-12	EVA-5b/114/O/B
DEPRESS/REPRESS		
Nominal Configuration		
(Front).....	CC A6-2	generic
FAILED LEAK CHECK		
(Back of DEPRESS/REPRESS).....	CC 6-4	generic

CONTENTS

PAGE

10.2 PSI CABIN	1-1
MASK PREBREATHE INITIATE	1-2
PREP FOR 10.2 PSI CABIN	1-3
CABIN DEPRESS TO 10.2 PSI.....	1-4
10.2 PSIA DEPRESS CHART.....	1-5
PSI CABIN CONFIG.....	1-6
MASK PREBREATHE TERMINATE	1-6
10.2 PSI MAINTENANCE.....	1-7
CABIN REPRESS TO 14.7 PSI.....	1-8
14.7 PSI CABIN CONFIG.....	1-9
AIRLOCK CONFIG	2-1
AIRLOCK PREP	2-2
EMU SWAP	2-3
BOOSTER FAN DEACTIVATION/REMOVAL.....	2-4
INSTALLATION/ACTIVATION.....	2-4
EVA TOOL TRANSFER	2-4
EMU REMOVAL	2-4
INSTALLATION.....	2-4
CHECKOUT PREP.....	2-5
LTA RESTRAINT STRAP REMOVAL	2-6
INSTALLATION	2-6
CHECKOUTS.....	3-1
EMU CHECKOUT	3-2
EMU POWERUP	3-2
COMM CHECK.....	3-2
PRIMARY REGULATOR/FAN/PUMP CHECK.....	3-3
SOP CHECK.....	3-5
BATTERY CHARGE CHECK INIT	3-5
TERM.....	3-6
EMU SWAP DURING CHECKOUT	3-6
POST EMU C/O RECONFIG.....	3-7
SAFER CHECKOUT	3-7
SELF TEST SEQUENCE	3-8
SAFER CHECKOUT RESULTS.....	CC 3-9
STATUS TROUBLESHOOTING	CC 3-10
REBA POWERED HARDWARE CHECKOUT	3-11
EVA PREP	TEMP FS 4-1
MIDDECK PREP	TEMP FS 4-2
EVA PREP.....	TEMP FS 4-2
PREP FOR DONNING	TEMP FS 4-2
EMU DONNING.....	4-4
CHECK	4-5
EMU PURGE.....	4-6
EMU PREBREATHE	4-6
SAFER DONNING.....	4-6
EVA COMM CONFIG.....	4-8
DECONFIG	4-8
CO2 RMVL SYS DEACT.....	4-9
ACT.....	4-9
EVA PREBREATHE CUE CARD	FS CC 4-11
EMU STATUS.....	5-1
EMU STATUS	5-2

DEPRESS/REPRESS	A6-1
DEPRESS/REPRESS (NOM A/L)	CC A6-2
FAILED LEAK CHECK	6-3
FAILED LEAK CHECK (5 PSI)	CC 6-4
(14.7/10.2 PSI)	CC 6-4
TIMELINES	FS 7-1
EVA 1 (TBD)	FS 7-3
EVA 2	
EVA 2 INHIBIT PAD	FS 7-5
NOTES, CAUTIONS, AND WARNINGS	FS 7-6
EVA 2 BRIEFING CARD	FS 7-7
SUMMARY TIMELINE	FS 7-8
TOOL CONFIG	FS 7-9
EGRESS/SETUP	FS 7-10
CMG R&R (HC)	FS 7-12
CLEANUP/INGRESS	FS 7-17
EVA 3	
EVA 3 INHIBIT PAD	FS 7-19
NOTES, CAUTIONS, AND WARNINGS	FS 7-20
EVA 3 BRIEFING CARD	FS 7-21
SUMMARY TIMELINE	FS 7-22
TOOL CONFIG	FS 7-23
EGRESS/SETUP	FS 7-24
ESPAD INSTALL (HC)	FS 7-25
PRIMARY CABLE ROUTING	FS 7-28
MISSE 1 AND 2 RETRIEVAL	FS 7-29
5 INSTALL	FS 7-30
SECONDARY CABLE ROUTING	FS 7-31
ESP2 INSTALLATION	FS 7-33
FRGF REMOVE AND STOW	FS 7-35
CLEANUP/INGRESS	FS 7-36
TOOLS AND STOWAGE	8-1
PGT CHECKOUT	8-3
760XD PGSC-PGT CONNECTION	8-4
PROGRAM PGT SETTINGS	8-4
DOWNLOAD/ERASE EVENT LOG	8-5
PGT CONTINGENCIES	8-6
POST EVA	9-1
POST EVA	9-2
SUIT DOFFING	9-2
SAFER DOFFING	9-2
EMU WATER RECHARGE	9-3
SAFER STOW	9-4
SUIT DRYING/SEAL WIPE	9-4
OXYGEN RECHARGE VERIFICATION	9-4
WATER FILL VERIFICATION	9-4
EMU POWERDOWN	9-5
EMU MAINT/RECHARGE	10-1
WATER RECHARGE	10-2
EMU POWERUP	10-2
WATER FILL	10-2
OXYGEN RECHARGE VERIFICATION	10-3
WATER FILL VERIFICATION	10-3

EMU LiOH CHANGEOUT	10-4
MIDDECK EMU BATTERY RECHARGE/LiOH REPLACEMENT	10-5
INITIATE	10-5
TERMINATE	10-5
IN-SUIT EMU BATTERY RECHARGE/CHARGE VERIFICATION	10-6
INITIATE	10-6
TERMINATE	10-6
EMU POWERDOWN.....	10-6
HELMET LIGHT/PGT BATTERY RECHARGE	10-7
INITIATE	10-7
TERMINATE	10-7
REBA BATTERY INSTALLATION.....	10-8
EMU BATTERY REMOVAL/INSTALL	10-8
HELMET LIGHT BULB CHANGEOUT	10-9
REBA BATTERY RECHARGE	10-10
INITIATE	10-10
TERMINATE	10-10
POST EVA ENTRY PREP	11-1
POST EVA ENTRY PREP	11-2
SAFER ENTRY STOW	11-2
POST ISS EVA ENTRY PREP	11-3
SAFER ENTRY STOW	11-3
<u>OFF-NOMINAL PROCEDURES</u>	12-i
EMU CONTINGENCY PROCS	12-1
DISPLAY LOSS DURING POWER TRANSFER	
(WARM RESTART)	12-2
VACUUM H2O RECHARGE (MANNED)	12-2
LlOH REPLACEMENT (MANNED)	12-3
BATTERY REPLACEMENT (MANNED)	12-4
WATER DUMP	12-5
SCU SWAP (UNMANNED)	12-6
(MANNED)	12-6
EMU COLD RESTART (MANNED).....	12-6
12.1 CHEMICAL CHECK/DECONTAMINATION	12-7
CONTAMINATION TEST	12-10
SAFER BATTERY CHANGEOUT	12-11
BENDS TREATMENT ADAPTER (BTA) INSTALLATION (IN-SUIT)	12-12
BTA PREP	12-12
TREATMENT	12-12
BENDS TREATMENT ADAPTER (BTA) INSTALLATION	
(POST SUIT DOFFING)	12-14
BTA PREP	12-14
TREATMENT	12-14
EMU RESIZE.....	12-17
DAP/EVA RESCUE/RETRIEVE	13-1
EVA ORBITER CONFIGURATION	13-2
RESCUE/RETRIEVE	13-4
ORBITER CONTINGENCY EVA	14-1
PAYLOAD BAY EVA NOMENCLATURE	14-2
RMS/PRLA CONTINGENCY EVA	14-3
96 BOLT PRE-EVA TOOL CONFIG	14-13
EVA TIMELINE	14-14
CAPTURE LATCH MANUAL RELEASE (ODS/PMA).....	14-19
96 BOLT EVA LAYOUT	14-21

EVA CUFF CHECKLIST (CIL)	15-1
NORMAL EVA STATUS	15-2
EVA COMM FREQUENCIES.....	15-2
EMU MAL INDEX.....	15-2
DECOMPRESSION SICKNESS (DCS)	15-3
ABORT EVA.....	15-3
TERMINATE EVA	15-3
SOP O2 ON	15-4
BATT AMPS HIGH.....	15-4
VDC LOW	15-4
SUIT P LOW	15-4
HIGH.....	15-5
SOP P LOW	15-5
O2 USE HIGH.....	15-5
SUBLM PRESS.....	15-5
H2O GP LOW	15-6
RESRV H2O ON	15-6
NO VENT FLOW	15-6
CO2.....	15-6
COMM FAILURE.....	15-7
MISC MSGS.....	15-7
AIR FLOW CONTAMINATION.....	15-7
RADIATOR ACTUATOR DISCONNECT	15-8
PLBD DRIVE CUT	15-8
DOOR DRIVE RESTRAINT	15-8
DISCONNECT.....	15-9
WINCH OPERATIONS	15-9
3-PT TOOL INSTALLATION	15-9
CL LATCH TOOL	15-10
TOOL RESET	15-10
AIRLOCK LATCH DISCONNECT	15-10
HINGE DISCONNECT	15-10
RMS JOINT ALIGN.....	15-10
SHOULDER BRACE RELEASE	15-10
MPM STOW/DEPLOY	15-10
RMS TIEDOWN	15-11
FLIGHT RELEASABLE GRAPPLE FIXTURE RELEASE	15-11
PRLA OPEN/CLOSE	15-11
KU ANTENNA STOW	15-12
AIRLOCK EGRESS	15-12
INGRESS	15-12
<u>FLIGHT SPECIFIC REFERENCE</u>	16-i
UNSCHEДУLED/CONTINGENCY EVA TASKS	TEMP FS 16-1
LF1 EVA FAILURE WORKAROUND CRIBSHEET.....	FS 16-3
RELEASE ROEU LATCHES	FS 16-10
LATCH ROEU LATCHES.....	FS 16-11
STOW ROEU ARM	FS 16-12
MATE ROEU ARM	FS 16-13
ROEU OVERVIEW.....	FS 16-14
MANUALLY OPEN/CLOSE CBM PETAL	FS 16-15
CLEAR/RESTRAIN CBM CAPTURE LATCH	FS 16-16
REMOVE/REPLACE CBM CONTROLLER ASSEMBLY	FS 16-17
MMOD CENTER COVER	FS 16-19
GENERIC EVA REFERENCE	NOT FLOWN

FLIGHT SPECIFIC EVA REFERENCE	FS 18-1
STS-114 PAYLOAD BAY LAYOUT	FS 18-3
ESP2 LAUNCH CONFIGURATION (TOP VIEW)	FS 18-4
(BOTTOM VIEW)	FS 18-5
ESPAD COMPONENTS.....	FS 18-6
ACTIVE ESPAD	FS 18-7
ESPAD LAUNCH BOLTS.....	FS 18-8
EUTAS COMPLIANT BOLTS.....	FS 18-9
ESPAD INSTALL.....	FS 18-10
EUTAS.....	FS 18-11
ESPAD STRUT	FS 18-12
DEPLOY.....	FS 18-13
V-GUIDE	FS 18-14
CLOSEUP	FS 18-15
ESP2 INSTALL.....	FS 18-16
POWER FROM ESP2 TO ORBITER	FS 18-17
ORBITER POWER CABLE STOWED	FS 18-18
ESP2 POWER CABLES.....	FS 18-19
FLIGHT CABLES	FS 18-20
CABLE TIES.....	FS 18-21
PRIMARY POWER CABLE ROUTING	FS 18-22
SECONDARY CABLE INSTALL – PANEL A119	FS 18-23
ROUTING	FS 18-24
ACTIVE ESPAD HR LABELS.....	FS 18-26
PASSIVE ESPAD HR LABELS	FS 18-27
HR AND WIF LAYOUT (ZENITH)	FS 18-28
(NADIR)	FS 18-29
MISSE LOCATIONS.....	FS 18-30
ESP2 FRGF.....	FS 18-31
LMC WITH CMG	FS 18-32
CMG NOMENCLATURE	FS 18-33
LOCATION.....	FS 18-34
AFT Z1 PRE-LAUNCH WITH BLANKET.....	FS 18-35
CMG ON Z1.....	FS 18-36
SHIMS AT Z1	FS 18-37
BLANKET CLOSED ON CMG IN FSE	FS 18-38
NEW CMG WITH BLANKET	FS 18-39
CMG IN FSE WITH MLI	FS 18-40
SHIMS ON FSE	FS 18-41
FSE WITHOUT MLI OR CMG.....	FS 18-42
SWAP IN PLB	FS 18-43
<u>EVA EMERGENCY</u>	19-i
EMERGENCY PROCEDURES.....	19-1
EMERGENCY AIRLOCK REPRESS	19-3
EMERGENCY AIRLOCK REPRESS.....	19-4
POST EMERGENCY AIRLOCK REPRESS.....	19-4
SAFER RESCUE.....	19-5
SAFER RESCUE.....	19-6
19.1 DCS TREATMENT	19-7
CUE CARD CONFIGURATION	20-1

This Page Intentionally Blank

EVA PREP

MIDDECK PREP..... TEMP FS 4-2
EVA PREP TEMP FS 4-2
 PREP FOR DONNING TEMP FS 4-2
 EMU DONNING..... 4-4
 CHECK..... 4-5
EMU PURGE 4-6
EMU PREBREATHE..... 4-6
 SAFER DONNING 4-6
EVA COMM CONFIG..... 4-8
 DECONFIG..... 4-8
CO2 RMVL SYS DEACT 4-9
 ACT 4-9
EVA PREBREATHE CUE CARD..... FS CC 4-11

<p>WARNING</p> <p>Payload bay floods exceed EMU thermal limits during operation. If EVA crew will be operating in vicinity of PLB floods, floods must be turned off now. Cooldown time may be as long as 6 hr</p>
--

MIDDECK PREP (30 min)

- | | |
|-------|---|
| AW18A | <ol style="list-style-type: none"> 1. LTG FLOOD (four) – ON 2. √EVA Bag installed in airlock 3. √REBA sw – OFF |
| | If EMU TV: |
| | <ol style="list-style-type: none"> 4. Demate EMU TV power cable; connect ground plug |
| HUT | <ol style="list-style-type: none"> 5. Disconnect helmets; Velcro to lockers 6. Remove Drink Bag restraint bag 7. Fill Drink Bag from galley, remove gas and insert Drink Bag in restraint bag 8. Install Drink Bag restraint bag in HUT and dispose of fill tool in wet trash 9. Apply anti-fog (EMU Servicing Kit), wipe off:
Helmets (not Fresnel lens)
EV glasses, attach to comm cap 10. Stow EMU Servicing Kit 11. Install Helmets; lock 12. Attach Cuff C/L to EMUs |

EVA PREP (90 min)

MET ____/____:____	MET ____/____:____	MET ____/____:____
--------------------	--------------------	--------------------

PREP FOR DONNING (30 min)

If internal airlock:

- | | |
|-------|---|
| ML31C | <input type="checkbox"/> <input type="checkbox"/> <input type="checkbox"/> <ol style="list-style-type: none"> 1. √VAC VENT ISOL VLV CNTL tb – OP
√NOZ HTR – ON |
|-------|---|

If external airlock:

- | | | |
|------|---------|--|
| BOTH | DCM | <input type="checkbox"/> <input type="checkbox"/> <input type="checkbox"/> <ol style="list-style-type: none"> 2. Retrieve, position SCU; remove DCM cover 3. Connect SCU to DCM, √locked |
| | AW82B | <input type="checkbox"/> <input type="checkbox"/> <input type="checkbox"/> <ol style="list-style-type: none"> 4. EV-1, EV-2 O2 vlv (two) – op |
| | MO13Q | <input type="checkbox"/> <input type="checkbox"/> <input type="checkbox"/> <ol style="list-style-type: none"> 5. √ARLK H2O S/O VLV – OP (tb-OP) |
| | MD(flr) | <input type="checkbox"/> <input type="checkbox"/> <input type="checkbox"/> <ol style="list-style-type: none"> 6. √EMU O2 ISOL VLV – OP |
| | ML86B:C | <input type="checkbox"/> <input type="checkbox"/> <input type="checkbox"/> <ol style="list-style-type: none"> 7. √cb MNC EXT ARLK HTR ZN 1,2 (two) – op |
| | L2 | <input type="checkbox"/> <input type="checkbox"/> <input type="checkbox"/> <ol style="list-style-type: none"> 8. √O2 XOVR SYS 1,2 (two) – OP |
| BOTH | DCM | <input type="checkbox"/> <input type="checkbox"/> <input type="checkbox"/> <ol style="list-style-type: none"> 9. PWR – BATT |

EVA PREP

<p>CAUTION</p> <p>EMU must be on BATT pwr when airlock power supply turned on</p>
--

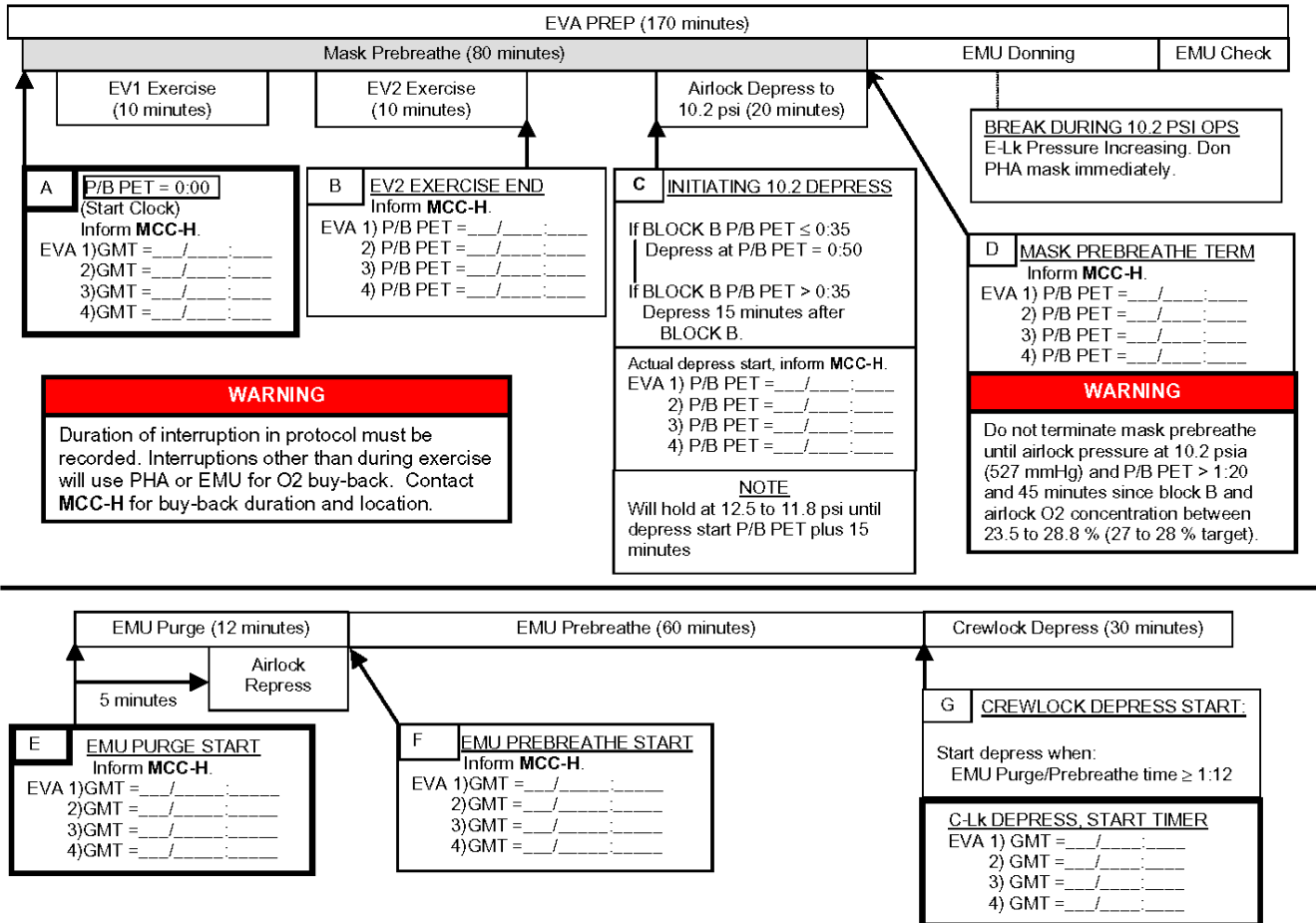
- | | |
|-------|--|
| AW18H | <input type="checkbox"/> <input type="checkbox"/> <input type="checkbox"/> <ol style="list-style-type: none"> 10. PWR/BATT CHGR EMU 1,2 MODE (two) – PWR
BUS SEL (two) – MNA(MNB) |
| DCM | <input type="checkbox"/> <input type="checkbox"/> <input type="checkbox"/> <ol style="list-style-type: none"> 11. PWR – SCU 12. Verify panels as shown next page |

TOP

HOOK
VELCRO

EVA PREBREATHE CUE CARD

EVA PREBREATHE EVENTS



EVA-5a/114/O/B

(reduced copy)

FS CC 4-11

EVA/114/FIN A

TOP
BACK OF 'EVA PREBREATHE CUE CARD'

HOOK
VELCRO

EVA PREBREATHE CUE CARD

EVA EXERCISE PRESCRIPTION

Start Exercise Protocol	When Exercise Complete
<p>DON EXERCISE EQUIPMENT:</p> <ol style="list-style-type: none"> Don Heart Rate Monitor chest strap and synchronize start of exercise with Heart Rate Watch and CEVIS Refer to {CEVIS ON LINE MODE OPERATIONS}, steps 2 and 4.2 to 4.4 (SODF: MED OPS: NOMINAL: CM), then: Configure bungees on CEVIS. <p>IF USING SHUTTLE O2, RECONFIGURE PHA TO 90 FT HOSE:</p> <ol style="list-style-type: none"> 90-ft hose from shuttle LEH Port → ← Special Tee Assembly 60-ft hose from PBA port ← → Special Tee Assembly Temporarily stow 60-ft hose for use after CEVIS ops. <p>INITIATE EXERCISE</p> <ol style="list-style-type: none"> Perform exercise per prescription below. Synchronize start of Heart Rate Watch with exercise. 	<p>TERMINATE EXERCISE</p> <ol style="list-style-type: none"> Press STOP on CEVIS display and stop heart rate watch. Record Exercise End PET (For EV2 record in Block B of Prebreathe Events). Momentarily pull mask away from face to verify positive O2 flow. If no O2 flow, contact MCC-H. If all EV crew have completed exercise Cycle ergometer Power Switch → OFF Remove PCMCIA card from CEVIS. Temporarily stow PCMCIA card. <p>DOFF EXERCISE EQUIPMENT</p> <ol style="list-style-type: none"> Doff Heart Rate Monitor chest strap. Clean with alcohol wipes (EMU Servicing Kit) avoiding electrodes. Doff Ergometer/CEVIS shoes <p>IF USING SHUTTLE O2, RECONFIGURE PHA TO 60 FT HOSE</p> <p>When 5 minutes have elapsed after exercise completion</p> <ol style="list-style-type: none"> 60-ft hose from PBA port → ← Special Tee Assembly 90-ft hose from Shuttle LEH Port ← → Special Tee Assembly

- NOTE**
- Maintain > 60 rpm and match arm/leg cadence (pedaling effort at < 60 rpm becomes noticeably more difficult). Use table values for workload and record heart rate. If heart rate exceeds the maximum indicated at the top of the table, decrease workload by 25-watt increments until heart rate falls below the maximum.
 - CEVIS timer will not increase while arrows remain displayed. Workload will change as soon as arrows are pressed.
 - If an interruption of either exercise or mask prebreathe < 2 minutes occurs during the 10-minute exercise, extend the 75 % max VO2 portion of the table for a duration equal to the interruption.

EXERCISE PRESCRIPTION		EV 1			EV 2			EV 3			EV 4						
		Heart Rate (bpm) (Not to exceed = ____)			Heart Rate (bpm) (Not to exceed = ____)			Heart Rate (bpm) (Not to exceed = ____)			Heart Rate (bpm) (Not to exceed = ____)						
Time	Max VO2	Workload (watts)	EVA#1	EVA#2	EVA#3	Workload (watts)	EVA#1	EVA#2	EVA#3	Workload (watts)	EVA#1	EVA#2	EVA#3	Workload (watts)	EVA#1	EVA#2	EVA#3
1 min	37.5 %																
1 min	50 %																
1 min	62.5 %																
7 min	75 %																
1 min	Cooldown																
Exercise End PET			:	:	:		:	:	:		:	:	:		:	:	:

EVA-5b/114/O/B

(reduced copy)

FS CC 4-12

EVA/114/FIN A

TIMELINES

EVA 1 (TBD) FS 7-3

EVA 2

 EVA 2 INHIBIT PAD FS 7-5

 NOTES, CAUTIONS, AND WARNINGS FS 7-6

 EVA 2 BRIEFING CARD FS 7-7

 SUMMARY TIMELINE FS 7-8

 TOOL CONFIG FS 7-9

 EGRESS/SETUP FS 7-10

 CMG R&R (HC) FS 7-12

 CLEANUP/INGRESS FS 7-17

EVA 3

 EVA 3 INHIBIT PAD FS 7-19

 NOTES, CAUTIONS, AND WARNINGS FS 7-20

 EVA 3 BRIEFING CARD FS 7-21

 SUMMARY TIMELINE FS 7-22

 TOOL CONFIG FS 7-23

 EGRESS/SETUP FS 7-24

 ESPAD INSTALL (HC) FS 7-25

 PRIMARY CABLE ROUTING FS 7-28

 MISSE 1 AND 2 RETRIEVAL FS 7-29

 5 INSTALL FS 7-30

 SECONDARY CABLE ROUTING FS 7-31

 ESP2 INSTALLATION FS 7-33

 FRGF REMOVE AND STOW FS 7-35

 CLEANUP/INGRESS FS 7-36

TIMELINES

This Page Intentionally Blank

EVA 1

TBD

EVA 1

This Page Intentionally Blank

EVA 2 INHIBIT PAD

MCS

- MCC-M
1. √FGB Main Engine Thruster Valves (4) – closed
 2. √FGB Manifold Valves (18) – closed
 3. √FGB MCS unpowered
 4. √SOYUZ manifolds (ten) closed
 5. √SOYUZ MCS unpowered

RCS

If EV crew < 27 ft from FRCS:

- IV
1. √DAP: √FREE, LO Z
- O14,15,16
2. √RJDF F1, F2, F3, F4 MANF DRIVER (four) – OFF
- MCC
3. √Above RCS config

Orbiter Antennas

NOTE

Possible loss of comm when forced LL FWD antenna

- IV
- If EV crew < 1.6 ft from S-Band antenna:
- A1R
1. S-BAND FM ANT – XMIT LOWER/RCVR UPPER
- O14,15,16
2. √MCC, lower antenna selected
- If no comm, or on MCC call:
- C3
3. S-BAND PM ANT – LL FWD
- When EVA crewmember at least 1.6 ft away from all S-Band upper antennas:
- C3
4. S-BAND PM ANT – GPC
- MCC-H
5. √KU-BAND Mask active

LAB Window

- IV
- If EV crew near window, close window shutter

FGB Antennas

- MCC-M
1. √TORU [TOPY] – Deactivate
 2. √TV System [TBC] – Deactivate
 3. √KURS P [Kurs] – Deactivate
 4. √KURS A [Kurs] – Deactivate
 5. √Sirius – Deactivate

SOYUZ Antennas

- MCC-M
1. √KURS – Deactivate

SM Antennas (MCC-M)

- MCC-M
1. Global Timing Sys 1 & 2 [GTS] – Deactivate

PCU

NOTE

PCUs may require up to 1 hr warm-up period before they are operational

- MCC-H
1. √PCUs (two) operational, in discharge mode
OR
√1 PCU operational in discharge mode
OR
√One solar arrays oriented at least 105 deg from velocity vector

USOS Antennas

- MCC-H
1. SGANT (KU) – Mask for EVA Worksites

CMG Inhibits

- MCC-H
1. Verify EA Power Removal and Inhibit
S0:EPS:RPCM S01A D: RPC 17
RPCM S01A D RPC 17
√RPC Position – Op
√Close Cmd – Inh
 2. Verify THA Power Removal and Inhibit
Z1:EPS:RPCM Z13B B: RPC 10
RPCM Z13B B RPC 10
√RPC Position – Op
√Close Cmd – Inh

NOTE: EV crew should not go more zenith than the IEA bulkhead to avoid S-band antenna high gain keep-out zone (3.6 ft in high gain, 1.3 ft in low gain)

NOTES, CAUTIONS, AND WARNINGS

NOTES

Verify connectors for debris, bent pins, and cable bend radii

CAUTION

Avoid inadvertent contact with:

- Grapple fixture shafts (have coating)
- Grapple fixture target pin
- SVS Targets
- SSRMS/MBS operating cameras & lights (heat source)
- MBSVDU, MCU, CRPCMs & Cameras (silver Teflon tape radiative surface)
- Passive UMA
- Deployed TUS cable
- PMA1 MDM sunshade
- PMA2 TCS Reflector
- EVA crane
- APAS hardware
- Deployed MISSEs (A/L)
- CID Switches
- Z1 PCU Cathode Ports
- Z1 heat pipe radiators/coldplates
- SASA – Antenna and Z-93 paint (Z1 & P6)
- P6 FPP
- S0 Radiators (silver Teflon tape)

Avoid inadvertent contact with:

- S0 GPS Antenna (Z-93 paint)
- Lights (Z-93 paint)

EVA 2

CAUTION (Cont)

EVA connectors may become hot if left uncovered. Limited handling may be needed

PMA handrails may be hot. Handling may need to be limited

Keepout zone:	EVA UHF PLB
Antenna (stbd sill)	Low power = 0.5 ft (nominal)
	High power = 2.3 ft above
	1.3 ft sides

Keepout zone:	WVS Antenna (stbd sill) – none
---------------	--------------------------------

For structural reasons:

- Avoid vigorous body motions, quick grabs, and kickoff tether restraints
- Avoid performing shaking motions (sinusoidal functions) more than four cycles

If any of these occur, wait 2-5 min to allow structural response to dissipate

Avoid contact with ROEU power connectors that are below the payload bay sill. Low impact force or contact can cause hardware damage

WARNING

PMA umbilical launch restraints have exposed bolt threads (sharp)

EVA connectors present a pinch hazard. Caution should be used when mating/locking connectors

Fuse tether buckles stowed in Node bag may have sharp edges

During Lab window shutter operations, the EV crew must be clear of the Lab window

EV side of crew lock hatch is a potential pinch point and snag hazard during hatch operations

Avoid inner edges of WIF sockets due to potential sharp edges

TBD PRLA grounding wiper is a sharp edge hazard

EVA 2 BRIEFING CARD

EV1 – Soichi EV2 – Steve IV – Andy
SSRMS: M1 – Wendy M2 – Vegas

EVA Prep start MET: ____ / ____ ____ : ____ ____
Start dressing at MET: ____ / ____ ____ : ____ ____ i.e., ____ hours after wake up

EVA Prep

- Get-up plan – Clothing and WCS usage in post-sleep period Food/Drink in A/L ?
- IDB fills (night before)
- Equipment lock activities – Overall big picture
- Prebreathe protocol review
- Suit donning plan – any special requests ? Boot Bladder Manipulation ?
- SAFER, MWS, tools, CL positions, bag stowage – any deviations from standard ?
- Airlock depress review
- EV/IV comm protocol
- SRMS/SSRMS initial position – any deviations from training ?
- Crib sheet review – only big ticket items (CMG rapid-safing, CIPAA gun safing)

EV Crew Procedure Review

- Overall Timeline – just talk big picture, initial tether config, critical ops
- Any deviations from trained plan ?
- Any late additions from the Ground ?
- Any unplanned constraints ?
- Any get ahead tasks ?
- RMS operations – comm protocol/clearances – any off-nominal operations ?
- Specific Items to remember (clearances, tether ops, interference opportunities, photos, etc)

Unplanned Activities

- Any late requests from ISS expected ?

Emergencies Review

- Lost comm. – check location, show cuff C/L in WVS or bend backwards
- EMU malfunctions – call it out, all get on same page
- Lost tools – don't rush, don't chase unless easy reach
- Lost crewmember – Call Code L, IV to give location directions etc.
- SAFER ops reminders
- DCS procedures – Call Cuff Checklist, or potential Cuff Checklist
- Incapacitated crewmember – work slow, bring him in, safe site

Post EVA

- Suit doffing responsibilities
- Post EVA plan
- Any special food/drink requests ?
- Make sure WCS and galley are available to EV crew

Any lessons learned from prior EVA's:

EVA 2 SUMMARY TIMELINE

PET TIME (HR : MIN)	EVA 2		
	IV/SSRMS	EV1 (SSRMS)	EV2 (FF)
00:00	SSRMS: APFR INGRESS	EVA 2 EGRESS/SETUP (01:15) <ul style="list-style-type: none"> ■ POST DEPRESS and EGRESS (00:15) ■ SETUP (01:00) SSRMS APFR setup and ingress	EVA 2 EGRESS/SETUP (01:15) <ul style="list-style-type: none"> ■ POST DEPRESS and EGRESS (00:15) ■ SETUP (01:00) Node gap spanner install
01:00	SSRMS: NODE LIGHT REMOVAL	CMG shroud removal	Temp stow Node Light Stanchion
02:00	SSRMS: Z1 ACCESS (GCA)	CMG R & R (04:15) <ul style="list-style-type: none"> ■ REMOVE FAILED CMG (00:40) Demate connectors Unbolt CMG, shims, remove from soft dock ■ REMOVE NEW CMG (01:30) SSRMS translation to PLB Temp stow failed CMG Unbolt new CMG, temp stow	CMG R & R (04:15) <ul style="list-style-type: none"> ■ REMOVE FAILED CMG (00:40) Unbolt CMG, shims ■ REMOVE NEW CMG (01:30) TPS durometer test Ballstack setup Temp stow failed CMG Unbolt new CMG, temp stow
03:00			
04:00	SSRMS: MANEUVERING TO Z1	<ul style="list-style-type: none"> ■ INSTALL FAILED CMG (01:00) Retrieve failed CMG Bolt failed CMG to FSE Retrieve new CMG SSRMS translation to Z1 CMG 	<ul style="list-style-type: none"> ■ INSTALL FAILED CMG (01:00) Retrieve failed CMG Bolt failed CMG to FSE PLB tool cleanup
05:00		<ul style="list-style-type: none"> ■ INSTALL NEW CMG (00:45) Bolt new CMG to Z1 Mate CMG connectors 	<ul style="list-style-type: none"> ■ INSTALL NEW CMG (00:45) Bolt new CMG to Z1 Mate CMG connectors
06:00	SSRMS: NODE LIGHT STANCHION INSTALLATION	CLEANUP/INGRESS (01:00) <ul style="list-style-type: none"> ■ CLEANUP (00:35) Install node light stanchion SSRMS APFR cleanup ■ INGRESS and PRE REPRESS (00:25) 	CLEANUP/INGRESS (01:00) <ul style="list-style-type: none"> ■ CLEANUP (00:35) Install node light stanchion ■ INGRESS and PRE REPRESS (00:25)
	SSRMS: APFR EGRESS		
	EVA Time 6:30		

EVA 2 TOOL CONFIG

Pre-EVA 2 Tool Configuration

AIRLOCK

- Fuse Tether
- Spare PGT
- WIF Extender w/Adj Tether
- (zenith HR)
- F5 Camera
- Digital Camera

- Crewlock EVA Bag #1 (Aft UIA D-ring)
- 11/16" box end wrench
- Durometer
- Ball Stack
- MUT EE (2)
- Trash Bag
- Gap Spanner (72-in) (2)
- Gap Spanner (21-in)
- RET (lg-sm) (2)
- Adj Tether (2)
- Safety Tether

- AL D-ring Extender
- RET

Crewlock Endcone Bags

- Staging Bag
- Connector Cleaner Tool Kit
- MUT EE
- Wire Tie Caddy (long and short)

- IV Bag
- ISS Contamination Sampler (2)
- Draeger Tubes (6)
- Gold Salt Kit
- Socket Caddy
- Socket, 6-in ext
- Socket, 1/2 in drive, 8-in ext
- GP Caddy (2)
- Thermal Mitten pairs (2)
- EVA Ratchet
- DCM plug
- Ziplock bag w/2 towels

PMA1-WIF 02

- Ballstack (on tool stanchion)

SSRMS

- APFR w/WIF adapter

EV1

- MWS
- Right Swing Arm
- PGT, RET
- T-Bar w/wire ties (2)
- Trash Bag (sm)
- Socket Caddy
- Socket, 12-in ext
- RAD, 2-in ext
- Socket, 6-in ext
- RET Tether (2)
- Adj Tether (2)
- BRT w/2 wire ties, RET
- RET (sm/lg)
- Adj Tether (2, each wrist)
- Waist Tether (2)
- D-ring Extenders (2)
- Safety Tether (L)
- Safety Tether (R)
- Ingress Aid

EV2

- MWS
- Right Swing Arm
- PGT w/6-in ext, RET
- T-Bar w/wire tie (2)
- Socket Caddy
- RET Tether (2)
- Adj Tether (2)
- BRT w/2 wire ties, RET
- Adj Tether (left wrist)
- Waist Tether (2)
- D-ring Extenders (2)
- Safety tether (85 ft) (R)

Record:

Spare PGT (serial _____, bat # _____)

EV1 PGT (serial _____, bat # _____)

EV2 PGT (serial _____, bat # _____)

RAD (serial # _____)

Post-EVA 2 Tool Configuration

AIRLOCK

- Fuse Tether
- Spare PGT
- Wire Tie Caddy
- F5 Camera (2)
- MUT EE

- Crewlock EVA Bag #1
- Durometer
- 11/16" box end wrench
- F5 Camera
- Adj Tether (2)
- MUT EE (2)
- Ball stack
- RET tether (lg/sm) (2)

PMA1-WIF 02

- Ballstack (on tool stanchion)

AIRLOCK TOOLBOX #1

- APFR

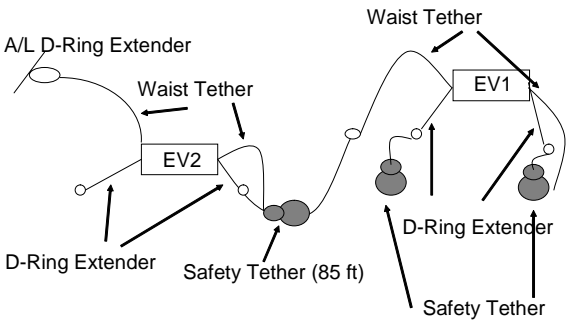
EV1

- MWS
- Right Swing Arm
- PGT, RET Tether
- T-Bar w/wire ties (2)
- Trash Bag (sm)
- Socket Caddy
- Socket, 12-in ext
- RAD, 2-in ext
- Socket, 6-in ext
- WIF Adapter, RET Tether (sm/lg)
- RET Tether (sm-sm) (2)
- Adj Tether (3)
- BRT w/2 wire ties, RET Tether
- Adj Tether (2)
- Waist Tether (2)
- D-ring Extenders (2)
- Safety Tether


EV2

- MWS
- Right Swing Arm
- PGT w/6-in ext, RET Tether
- T-Bar w/wire tie (2)
- Socket Caddy
- Trash Bag (sm)
- RET Tether (sm-sm) (2)
- Adj Tether (2)
- BRT w/1 Wire Tie, RET Tether
- Adj Tether (1 left wrist)
- Waist Tether (2)
- D-ring Extenders (2)
- Safety tether (85 ft)
- Safety tether

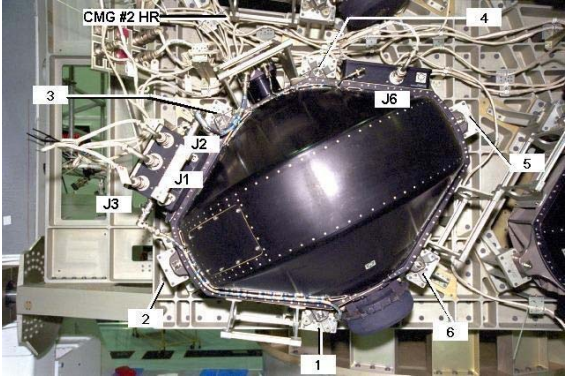
EVA 2 EGRESS/SETUP

IV/RMS	EV1 (SSRMS)	EV2 (FF)
<ol style="list-style-type: none"> 1. SSRMS: APFR INGRESS (<u>ROBOTICS FS, EVA 2</u>) 2. ISS views for Egress/Setup: PLB C, D  <ol style="list-style-type: none"> 3. ISS view for EV1 Ingress: PLB A, B 4. MCC-H: perform CMG Power Inhibits 5. SSRMS: NODE LIGHT REMOVAL (<u>ROBOTICS FS, EVA 2</u>) 	<p>Initial Configuration: Waist tether (L) to EV2 Safety Tether (R)</p> <p><u>POST DEPRESS</u> (00:05) Perform POST DEPRESS (EVA, <u>DEPRESS/REPRESS</u>)</p> <p><u>EGRESS</u> (00:10)</p> <ol style="list-style-type: none"> 1. Open A/L thermal cover 2. Egress airlock 3. Check SAFER valves (down) 4. Attach right safety tether to fwd external A/L D-ring, verify hook locked 5. Attach EV2 safety tether to aft external A/L D-ring, verify hook locked 6. Give EV2 GO for egress <p><u>SETUP</u> (01:00)</p> <ol style="list-style-type: none"> 7. Translate to SSRMS setup worksite (port Z1, via fwd A/L translation path) 8. Perform Safety tether swap to SSRMS, verify hook locked 9. Remove A/L safety tether from EV1 D-ring extender, stow on Node HR 6013 10. Configure SSRMS APFR[12,PP,F,4] 11. Install Ingress aid 12. Ingress APFR 13. Assist EV2 with Node stanchion light removal; light's white paint is no touch area 14. GCA SSRMS to shroud removal worksite 	<p>Initial Configuration: Waist tether (L) to A/L D-ring extender. Safety Tether (R) to EV1 Waist tether (L)</p> <p><u>POST DEPRESS</u> (00:05) Perform POST DEPRESS (EVA, <u>DEPRESS/REPRESS</u>)</p> <p><u>EGRESS</u> (00:10)</p> <ol style="list-style-type: none"> 1. Hold for EV1 GO 2. Release left waist tether from A/L D-ring extender 3. Retrieve Crewlock bag 4. Egress A/L w/Crewlock bag on BRT 5. Check SAFER valves (down) 6. Close hatch thermal cover <p><u>SETUP</u> (01:00)</p> <ol style="list-style-type: none"> 7. Verify Crewlock bag on BRT 8. Translate to Z1 worksite (via aft translation path) 9. Watch all SSRMS clearances at Z1 worksite as required 10. Temp stow Crewlock bag on Node HR 0122 11. Remove box end wrench from Crewlock bag; stow on Node HR 0122 w/RET from MWS 12. Remove gap spanners/trash bag from Crewlock bag; stow on MWS 13. Install gap spanners in series on Node HRs 0122 (aft standoff) and 0121 (aft standoff), adj. end towards middle. Rotate buckle of gap spanner 90 degrees to ensure tension load is not too great 14. Remove Node light stanchion, light's white paint is no touch area 15. PGT[B6, CCW2, 30.5]-6Ext-7/16: Release stanchion bolt, 11 turns, fold stanchion towards Node, tether stanchion to Node HR 0106 away from Z1 worksite

EVA 2 EGRESS/SETUP (Cont)

IV/RMS	EV1 (SSRMS)	EV2 (FF)
SSRMS: Z1 ACCESS (<u>ROBOTICS FS</u> , EVA 2)	<p>15. Remove Velcro and peel back Z1 CMG thermal shroud to gain access to CMG 1. Attach adj equip tether to MLI. Hand off to EV2</p> <p>16. Perform WVS survey of failed CMG on Z1</p> <p><input type="checkbox"/> WVS complete</p>  <p>CMG 0102</p>	<p>16. Restrain CMG thermal shroud by attaching adj equip tether to Z1 short HR 6002. Attach 2nd adj equip tether to MLI and stbd IAPFR</p> <p>17. Retrieve ball stack from TS on PMA1, WIF02, stow in crewlock bag. Inspect ball stack sleeve and report if the sleeve is torn; ball stack will be NO GO</p>

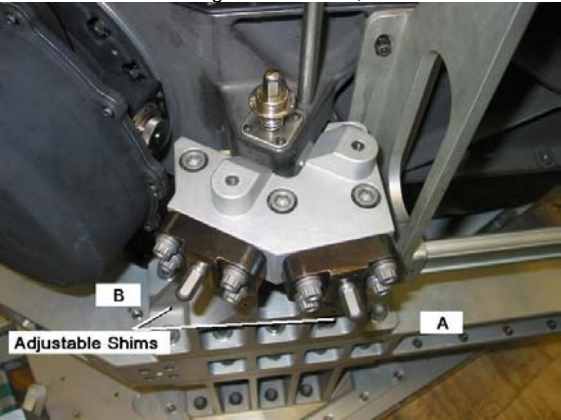
CMG R&R

IV/RMS	EV1 (SSRMS)	EV2 (FF)								
<p>1. IV: Verify with MCC inhibits for CMG 1 prior to EV1 action</p> <p>2. MCC: Confirm CMG EA/THA Power Removal and Inhibits from CMG R & R Task Data Sheet</p>  <p>3. SSRMS: On EVA GO, MANEUVERING TO PAYLOAD BAY (<u>ROBOTICS FS</u>, EVA 2)</p> <p>4. ISS views while in PLB: PLB A, B, no big picture needed</p> <p>5. Record STA-54 Hardness Check Results:</p> <table border="1" data-bbox="159 1188 571 1383"> <thead> <tr> <th>Reading #</th> <th>Reading</th> </tr> </thead> <tbody> <tr> <td>1</td> <td></td> </tr> <tr> <td>2</td> <td></td> </tr> <tr> <td>3</td> <td></td> </tr> </tbody> </table>	Reading #	Reading	1		2		3		<p><u>REMOVE FAILED CMG</u> (00:40)</p> <p>← <input type="checkbox"/></p> <ol style="list-style-type: none"> On IV GO, demate connector: <ul style="list-style-type: none"> <input type="checkbox"/> J6 – tuck behind CMG #2 HR Demate connectors: <ul style="list-style-type: none"> <input type="checkbox"/> J1 <input type="checkbox"/> J2 <input type="checkbox"/> J3 Temp stow connectors (3) with wire tie to Z1 HR 6021 PGT[B7, CCW2, 30.5] –12Ext-7/16: Loosen CMG bolts (4), 2 turns each, any order: <ul style="list-style-type: none"> <input type="checkbox"/> 3 <input type="checkbox"/> 4 <input type="checkbox"/> 1 <input type="checkbox"/> 2 PGT[A6, CCW2, 10.5] –12Ext-7/16: Remove shims (2), place in trash bag, expect 10-14 turns, any order <ul style="list-style-type: none"> <input type="checkbox"/> 3c <input type="checkbox"/> 3d Tether to CMG HR using lg/sm RET equip tether <u>before</u> removing last bolt PGT[B7, CCW2, 30.5] –12Ext-7/16: Remove CMG bolts (4), expect 9-13 turns, any order: <ul style="list-style-type: none"> <input type="checkbox"/> 3 <input type="checkbox"/> 4 <input type="checkbox"/> 1 <input type="checkbox"/> 2 Remove CMG from soft dock. Expect 16 lb force Replace CMG into soft dock and remove to verify alignment Give SSRMS GO to translate to LMC <p><u>REMOVE NEW CMG</u> (01:30)</p>	<p><u>REMOVE FAILED CMG</u> (00:40)</p> <ol style="list-style-type: none"> Assist EV1 as required BRT to CMG HR PGT[B7, CCW2, 30.5] –6Ext-7/16: Loosen CMG bolts (2), 2 turns each, any order: <ul style="list-style-type: none"> <input type="checkbox"/> 5 <input type="checkbox"/> 6 When all 6 bolts loosened, wiggle CMG PGT[A6, CCW2, 10.5] –6Ext-7/16: Remove shims (2), place in trash bag, expect 10-14 turns, any order <ul style="list-style-type: none"> <input type="checkbox"/> 6c <input type="checkbox"/> 6d Release BRT from CMG HR PGT[B7, CCW2, 30.5] –6Ext-7/16: Remove CMG bolts (2), expect 9-13 turns, any order: <ul style="list-style-type: none"> <input type="checkbox"/> 5 <input type="checkbox"/> 6 Assist EV1 until CMG clear of structure, verify EV1 has good EMU boot to APFR bootplate mate Perform WVS survey of CMG location after removal of failed CMG <ul style="list-style-type: none"> <input type="checkbox"/> WVS survey complete <p><u>REMOVE NEW CMG</u> (01:30)</p> <ol style="list-style-type: none"> Retrieve Crewlock bag from Node HR 0102, stow on BRT Translate to shuttle ODS truss, via stbd ISS Remove spare safety tether from Crewlock bag, attach to ODS truss, verify hook locked Attach spare safety tether to EMU D-ring extender, verify hook locked Remove A/L 85 ft safety tether from D-ring, stow on PMA structure Translate to LMC, fairlead safety tether on sill Temp stow Crewlock bag on LMC, retrieve durometer Remove pip pins (2) and open test port on DTO box Measure TPS repair hardness (3 readings) <p>← <input type="checkbox"/></p> <ol style="list-style-type: none"> Close test port, install pip pins (2) Stow durometer in Crewlock bag
Reading #	Reading									
1										
2										
3										

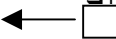
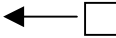
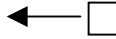
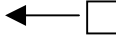
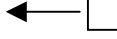
CMG R & R (Cont)

IV/RMS	EV1 (SSRMS)	EV2 (FF)
	<p>11. Hold failed CMG on lower inboard ball stack/MUT EE</p> <p>12. GCA SSRMS to new CMG</p> <p>13. PGT[B7, CCW2, 30.5] –12Ext-7/16: Loosen CMG bolts (4), 2 turns each, any order: <input type="checkbox"/>3 <input type="checkbox"/>4 <input type="checkbox"/>2</p> <p>14. PGT[A6, CCW2, 10.5] –12Ext-7/16: Remove shims (2), place in trash bag, expect 10-14 turns, any order <input type="checkbox"/>3c <input type="checkbox"/>3d</p> <p>15. Tether to CMG HR using lg/sm RET equip tether before last bolt</p> <p>16. PGT[B7, CCW2, 30.5] –12Ext-7/16: Remove CMG bolts (4), expect 9-13 turns, any order: <input type="checkbox"/>3 <input type="checkbox"/>4 <input type="checkbox"/>2</p> <p>17. Remove CMG 3 in from soft dock. Expect 16 lb force</p> <p>18. Replace CMG into soft dock and remove to verify alignment</p> <p>19. GCA SSRMS to temp stow location</p> <p>20. Hold new CMG on upper ball stack/MUT EE</p> <p>21. Remove tether from new CMG</p> <p><u>INSTALL FAILED CMG (01:00)</u></p> <p>22. GCA to failed CMG</p> <p>23. Tether to failed CMG</p> <p>24. Remove failed CMG from ball stack/MUT EE after EV2 releases MUT EE</p> <p>25. Insert CMG into FSE soft dock position on LMC, expect 16 lb force</p> <p>26. PGT[B7, CW2, 30.5] – 12Ext-7/16: Install CMG bolts (3), 2 turns each: <input type="checkbox"/>3 <input type="checkbox"/>4 <input type="checkbox"/>2</p> <p>27. Remove RET tether from CMG</p>	<p>21. Install ball stack and MUT EE to upper outboard LMC ECOM, attach lg/sm RET to LMC HR standoff, position ball stack 15 degrees to port</p> <p>22. Route safety tether over lower ball stack</p> <p>23. Install 2nd ball stack and MUT EE to lower inboard LMC ECOM, attach lg/sm RET to LMC HR standoff</p> <p>24. Assist EV1 with CMG temp stow, attach MUT EE to CMG, attach lg hook of RET to CMG</p> <p>25. Open CMG FSE thermal shroud, restrain as required</p> <p>26. PGT[B7, CCW2, 30.5] –6Ext-7/16: Loosen CMG bolts (2), 2 turns each, any order: <input type="checkbox"/>1 <input type="checkbox"/>5 <input type="checkbox"/>6</p> <p>27. PGT[A6, CCW2, 10.5] –6Ext-7/16: Remove shims (2), place in trash bag, expect 10-14 turns, any order <input type="checkbox"/>6c <input type="checkbox"/>6d</p> <p>28. PGT[B7, CCW2, 30.5] –6Ext-7/16: Remove CMG bolts (2), expect 9-13 turns, any order: <input type="checkbox"/>1 <input type="checkbox"/>5 <input type="checkbox"/>6</p> <div data-bbox="1423 743 1919 824" style="border: 1px solid black; padding: 5px; margin: 10px 0;"> <p style="text-align: center;">CAUTION</p> <p style="text-align: center;">Avoid CMG contact with orbiter aft bulkhead WVS antenna</p> </div> <p>29. GCA EV1 to avoid WVS antenna</p> <p>30. BRT to LMC, turn on left side, feet to sill</p> <p>31. Assist EV1 with CMG temp stow, attach MUT EE to CMG, attach lg hook of RET to CMG</p> <p>32. Release BRT, slide feet down on port side PLB</p> <p><u>INSTALL FAILED CMG (01:00)</u></p> <p>33. Release failed CMG RET tether from failed CMG after EV1 tether to CMG</p> <p>34. Release CMG from MUT EE</p> <p>35. Route safety tether under ballstack, translate to FSE</p> <p>36. GCA EV1 to avoid WVS antenna</p> <p>37. Assist EV1 as required</p> <p>38. PGT[B7, CW2, 30.5] –6Ext-7/16: Install CMG bolts (3), 2 turns each: <input type="checkbox"/>1 <input type="checkbox"/>5 <input type="checkbox"/>6</p>

CMG R & R (Cont)

IV/RMS	EV1 (SSRMS)	EV2 (FF)																																	
<p>6. IV: Record Installation values:</p> <table border="1" data-bbox="100 326 705 857"> <thead> <tr> <th>Bolt</th> <th>Turns</th> <th>Torque</th> </tr> </thead> <tbody> <tr><td>CMG02 Bolt 3</td><td></td><td></td></tr> <tr><td>CMG02 Bolt 4</td><td></td><td></td></tr> <tr><td>CMG02 Bolt 5</td><td></td><td></td></tr> <tr><td>CMG02 Bolt 6</td><td></td><td></td></tr> <tr><td>CMG02 Bolt 1</td><td></td><td></td></tr> <tr><td>CMG02 Bolt 2</td><td></td><td></td></tr> <tr><td>ADJ SHIM 3A</td><td></td><td></td></tr> <tr><td>ADJ SHIM 6A</td><td></td><td></td></tr> <tr><td>ADJ SHIM 3B</td><td></td><td></td></tr> <tr><td>ADJ SHIM 6B</td><td></td><td></td></tr> </tbody> </table>	Bolt	Turns	Torque	CMG02 Bolt 3			CMG02 Bolt 4			CMG02 Bolt 5			CMG02 Bolt 6			CMG02 Bolt 1			CMG02 Bolt 2			ADJ SHIM 3A			ADJ SHIM 6A			ADJ SHIM 3B			ADJ SHIM 6B			<p>28. PGT[B7, CW2, 30.5] –12Ext-7/16: Torque CMG bolts (3), expect 9-13 turns to a torque stall: <input type="checkbox"/>3 <input type="checkbox"/>4 <input type="checkbox"/>2 ← <input type="checkbox"/> Report torque/turns</p> <p>29. PGT: Swap 12Ext-7/16 to RAD, 2Ext-7/16</p> <p>30. PGT[A1, CCW1, 5.5] –RAD,2Ext-7/16: Drive adjustable shim bolts bolts (2) to contact or torque stall, no pattern: <input type="checkbox"/>3a <input type="checkbox"/>3b ← <input type="checkbox"/> Report torque/turns</p> <p>31. GCA to new CMG</p> <p>32. Tether to new CMG</p> <p>33. Give EV2 GO for ballstack release</p> <p>34. Retrieve new CMG (MUT EE/Ballstack w/RET remain on CMG) after EV2 releases ball stack from LMC</p> <p>35. Give SSRMS GO for Z1 install position</p> <p><u>INSTALL NEW CMG (00:45)</u></p> <p>36. Hold CMG for EV2 to remove ball stack/MUT EE</p> <p>37. Insert CMG into soft dock position on Z1. Expect 16 lb force</p> <p>38. PGT[B7, CW2, 30.5] –12Ext-7/16: Install CMG bolts (4), 2 turns each: <input type="checkbox"/>3 <input type="checkbox"/>4 <input type="checkbox"/>1 <input type="checkbox"/>2</p> <p>39. Remove tether from CMG</p>	<p>21. PGT[B7, CW2, 30.5] –6Ext-7/16: Torque CMG bolts (3), expect 9-13 turns to a torque stall: <input type="checkbox"/>1 <input type="checkbox"/>5 <input type="checkbox"/>6 ← <input type="checkbox"/> Report torque/turns</p> <p>22. PGT[A1, CCW1, 5.5] –6Ext-7/16: Drive adjustable shim bolts bolts (2) to contact or torque stall, no pattern: <input type="checkbox"/>6a <input type="checkbox"/>6b ← <input type="checkbox"/> Report torque/turns</p> <p>23. Move Ig/sm RET from LMC HR to ball stack on new CMG</p> <p>24. Release new CMG w/ball stack from LMC on EV1 GO</p> <p>25. Verify EV1 has good EMU boot to APFR bootplate mate</p> <p>26. Retrieve lower LMC ball stack/MUT EE and Ig/sm RET, stow in Crewlock bag</p> <p>27. Stow Crewlock bag on BRT</p> <p>28. Survey worksite for tool inventory, retrieve sill fairlead</p> <p><u>INSTALL NEW CMG (00:45)</u></p> <p>29. Translate to PMA, retrieve A/L 85ft safety tether, attach to EMU D-ring extender, verify locked</p> <p>30. Remove spare safety tether from ODS truss and EMU D-ring, stow in Crewlock bag</p> <p>31. Translate to Z1 worksite</p> <p>32. Watch all SSRMS clearances at Z1 worksite as required</p> <p>33. Temp stow Crewlock bag on Node HR 0122</p> <p>34. Remove Ballstack/MUT EE/RET from CMG. Temp stow</p> <p>35. Check for FOD in CMG receptacle before installation</p> <p>36. Assist EV1 with CMG soft dock</p> <p>37. PGT[B7, CW2, 30.5] –6Ext-7/16: Install CMG bolts (2), 2 turns each: <input type="checkbox"/>5 <input type="checkbox"/>6</p>
Bolt	Turns	Torque																																	
CMG02 Bolt 3																																			
CMG02 Bolt 4																																			
CMG02 Bolt 5																																			
CMG02 Bolt 6																																			
CMG02 Bolt 1																																			
CMG02 Bolt 2																																			
ADJ SHIM 3A																																			
ADJ SHIM 6A																																			
ADJ SHIM 3B																																			
ADJ SHIM 6B																																			
<p>7. SSRMS: On EVA GO, MANEUVER TO Z1 (ROBOTICS FS, EVA 2)</p> <p>8. ISS views while moving to Z1: PLB A, B</p> 																																			

CMG R & R (Cont)

IV/RMS	EV1 (SSRMS)	EV2 (FF)																					
<p>9. IV: Record installation values</p> <table border="1" data-bbox="100 326 703 654"> <thead> <tr> <th>Bolt</th> <th>Turns</th> <th>Torque</th> </tr> </thead> <tbody> <tr> <td>CMG05 Bolt 3</td> <td></td> <td></td> </tr> <tr> <td>CMG05 Bolt 4</td> <td></td> <td></td> </tr> <tr> <td>CMG05 Bolt 5</td> <td></td> <td></td> </tr> <tr> <td>CMG05 Bolt 6</td> <td></td> <td></td> </tr> <tr> <td>CMG05 Bolt 1</td> <td></td> <td></td> </tr> <tr> <td>CMG05 Bolt 2</td> <td></td> <td></td> </tr> </tbody> </table> <p>10. IV: Give MCC-H GO for THA power-up</p> <p>11. If MCC-H unable, ISS crew perform VERIFYING CMG THERMAL HOUSING ASSEMBLY (THA) CONNECTOR MATE (ASSY OPS, CMG 1 On Orbit Checkout, Steps 1-2)</p> <p>12. IV: Give MCC-H GO for EA power-up</p> <p>13. If MCC-H unable, ISS crew perform VERIFYING CMG ELECTRONICS ASSEMBLY (EA) CONNECTOR MATE (ASSY OPS, CMG 1 On Orbit Checkout, Step 3)</p> <p>14. IV: Report CMG R & R complete to MCC</p>	Bolt	Turns	Torque	CMG05 Bolt 3			CMG05 Bolt 4			CMG05 Bolt 5			CMG05 Bolt 6			CMG05 Bolt 1			CMG05 Bolt 2			<p>40. PGT[B7, CW2, 30.5] –12Ext-7/16: Torque CMG bolts (4), expect 9-13 turns to a torque stall: <input type="checkbox"/>3 <input type="checkbox"/>4 <input type="checkbox"/>1 <input type="checkbox"/>2  Report torque/turns</p> <p>41. De-configure PGT socket</p> <p>42. Demate connector caps (1), stow in trash bag: <input type="checkbox"/>J6</p> <p>43. Mate connector: <input type="checkbox"/>J6</p> <p>44. Confirm J6 complete, GO for THA power-up </p> <p>45. Demate connector caps (3), stow in trash bag: <input type="checkbox"/>J1 <input type="checkbox"/>J2 <input type="checkbox"/>J3</p> <p>46. Mate connectors: <input type="checkbox"/>J1 <input type="checkbox"/>J2 <input type="checkbox"/>J3</p> <p>47. Confirm J1, J2, J3 complete, GO for EA power-up </p> <p>48. Perform WVS survey of final CMG configuration <input type="checkbox"/> WVS survey complete</p> <p><u>REPLACE Z1 THERMAL SHROUD (00:20)</u></p> <p>49. Replace Z1 thermal shroud and attach Velcro</p> <p>50. Give IV CMG INSTALL COMPLETE </p>	<p>38. PGT[B7, CW2, 30.5] –6Ext-7/16: Torque CMG bolts (2), expect 9-13 turns to a torque stall: <input type="checkbox"/>5 <input type="checkbox"/>6  Report torque/turns</p> <p>39. Stow ball stack on PMA TS, MUT EE, and sm/lg RET in Crewlock bag</p> <p>40. Assist EV1 if required</p> <p>41. Retrieve 11/16" box end wrench from Node HR 0122</p> <p><u>REPLACE Z1 THERMAL SHROUD (00:20)</u></p> <p>42. Replace Z1 thermal shroud and attach Velcro (use box end wrench as required)</p>
Bolt	Turns	Torque																					
CMG05 Bolt 3																							
CMG05 Bolt 4																							
CMG05 Bolt 5																							
CMG05 Bolt 6																							
CMG05 Bolt 1																							
CMG05 Bolt 2																							

CMG R & R – TASK DATA

Tools:

EV1 (SSRMS)	EV2 (FF)
PGT	PGT
7/16 (wobble) socket-12 ext	7/16 (wobble) socket-6 ext
RAD	

EVA Fasteners:

Fastener Name	Label	Head Size	Qty	Install Torque (ft-lb)	Release Torque (ft-lb)	Failure Torque (ft-lb)	Turns
CMG at Z1 Bolts		7/16	6	22.92	21.7	26.7	10
CMG Shims (fixed, Z1)		7/16	4	5.0	8.0	9.17	10.9
CMG Shims (fixed, FSE)		7/16	4	5.0	8.0	9.17	10.9
CMG at FSE Bolts		7/16	6	22.92	21.7	26.7	10
CMG Shims (adjustable)		7/16	4	2.5	N/A	5.6	2-5
Node Light Stanchion Bolt		7/16	1	23.0	22.5	37.5	10, 16.5

EVA Connectors:

Harness	From	To	Conn Size	Function
CMG J6	Failed CMG, P6	New CMG, P6	15	PWR to THA
CMG J1	Failed CMG, P1	New CMG, P1	15	PWR to EA
CMG J2	Failed CMG, P2	New CMG, P2	15	Primary Data Bus, LB GNC-1, Channel A
CMG J3	Failed CMG, P3	New CMG, P3	15	Secondary Data Bus, LB GNC-1, Channel B

Foot Restraints:

Task	WIF	APFR Setting
ALL	SSRMS	12, PP, F, 4

Warnings:

1. The pop-up spring on the CMG captive EVA fasteners (CMG Bolts 1-6) presents a puncture hazard

Cautions:

1. Avoid inadvertent contact with CMG
2. CMG Shims must be removed within 2 hrs of CMG powerdown on Z1
3. Equal force should be exerted by crew in order to prevent binding when removing/installing the CMG from its mounting on Z1 and the FSE
4. CMG may have oily residue around the Torque Module Assembly, avoid contact (may cause damage to other ORUs through cross-contamination)
5. Avoid contact with Optical Solar Reflector Tiles on Z1 heat pipe radiators at the DDCU-HP and RPDAs. These items can be damaged by kick loads

CMG Inhibits:

- MCC-H
1. Verify EA Power Removal and Inhibit
S0:EPS:RPCM S01A D: RPC 17
RPCM S01A D RPC 17
√RPC Position – Op
√Close Cmd – Inh
 2. Verify THA Power Removal and Inhibit
Z1:EPS:RPCM Z13B B: RPC 10
RPCM Z13B B RPC 10
√RPC Position – Op
√Close Cmd – Inh

CLEANUP/INGRESS

IV/RMS	EV1	EV2										
<p>1. SSRMS: NODE LIGHT STANCHION INSTALLATION (ROBOTICS FS, EVA 2)</p> <table border="1" data-bbox="113 350 709 431"> <thead> <tr> <th>Bolt</th> <th>Turns</th> <th>Torque</th> </tr> </thead> <tbody> <tr> <td>Node Light</td> <td></td> <td></td> </tr> </tbody> </table> <p>2. SSRMS: APFR EGRESS (ROBOTICS FS, EVA 2)</p> <p>3. IV: Record WIF # where WIF extender is stowed:</p> <table border="1" data-bbox="113 602 522 683"> <thead> <tr> <th>Item</th> <th>WIF</th> </tr> </thead> <tbody> <tr> <td>WIF Extender</td> <td></td> </tr> </tbody> </table> <p>4. IV: Perform tool inventory</p>	Bolt	Turns	Torque	Node Light			Item	WIF	WIF Extender		<p><u>CLEANUP</u> (00:35)</p> <ol style="list-style-type: none"> Assist EV2 with node light install. Position stanchion as required Egress SSRMS Perform tether swap to A/L tether Configure APFR[6, XX,L,2] to low profile Receive WIF extender from EV2 Stow WIF extender in WIF _____ <p><u>INGRESS</u> (00:20)</p> <ol style="list-style-type: none"> Translate to Airlock Perform tool inventory Remove spare left safety tether, stow on aft external A/L D-ring and aft A/L HR, verify locked After EV2 GO, remove EV2 85 ft safety tether from aft external A/L D-ring, attach to EV1 left waist tether Remove EV1 right safety tether from EMU D-ring extender and stow on fwd A/L HR √Reels unlocked, retract cable slack Ingress A/L Connect SCU to DCM; check SCU locked Water – OFF Close thermal cover, attach Velcro strap <div data-bbox="835 1206 1312 1256" style="border: 1px solid black; padding: 5px; text-align: center;"> <p>CAUTION Do not close hatch until EMU water off for 2 min</p> </div> <ol style="list-style-type: none"> EV Hatch – close and lock Go to PRE REPRESS portion of {CREWLOCK DEPRESS/REPRESS CUE CARD} (SODF: ISS EVA SYS: EVA PREP/POST) 	<p><u>CLEANUP</u> (00:35)</p> <ol style="list-style-type: none"> Stow 11/16" box end wrench in Crewlock bag Install Node light stanchion: Release tether from HR 0106. Hand off stanchion to EV1 to posn PGT[B5, CW2 30.5]-6Ext-7/16: Install stanchion bolt, 11 turns to a torque stall – if required: PGT[B2, CW2 30.5]-RAD-6Ext-7/16: Install stanchion bolt, 11 turns to a torque stall Perform WVS survey of final Node Light configuration <input type="checkbox"/> WVS survey complete Retrieve Crewlock bag from Node HR 0102 <p><u>INGRESS</u> (00:20)</p> <ol style="list-style-type: none"> Translate to Airlock Perform tool inventory Open thermal cover Ingress A/L Retrieve WIF extender from A/L, hand to EV1 Attach left waist tether to A/L D-ring extender Give EV1 GO for tether ops Connect SCU to DCM; check SCU locked Water – OFF <ol style="list-style-type: none"> Go to PRE REPRESS portion of {CREWLOCK DEPRESS/REPRESS CUE CARD} (SODF: ISS EVA SYS: EVA PREP/POST)
Bolt	Turns	Torque										
Node Light												
Item	WIF											
WIF Extender												

This Page Intentionally Blank

EVA 3 INHIBIT PAD

MCS	
MCC-M	<ol style="list-style-type: none"> 1. √FGB Main Engine Thruster Valves (4) – closed 2. √FGB Manifold Valves (18) – closed 3. √FGB MCS unpowered 4. √SOYUZ manifolds (ten) closed 5. √SOYUZ MCS unpowered

RCS	
	If EV crew < 27 ft from FRCS:
IV	<ol style="list-style-type: none"> 1. √DAP: √FREE, LO Z
O14,15,16	<ol style="list-style-type: none"> 2. √RJDF F1, F2, F3, F4 MANF DRIVER (four) – OFF
MCC	<ol style="list-style-type: none"> 3. √Above RCS config

Orbiter Antennas	
	<u>NOTE</u> Possible loss of comm when forced LL FWD antenna
	If EV crew < 1.6 ft from S-Band antenna:
IV	<ol style="list-style-type: none"> 1. S-BAND FM ANT – XMIT LOWER/RCVR UPPER
O14,15,16	<ol style="list-style-type: none"> 2. √MCC, lower antenna selected
	If no comm, or on MCC call:
C3	<ol style="list-style-type: none"> 3. S-BAND PM ANT – LL FWD
	When EVA crewmember at least 1.6 ft away from all S-Band upper antennas:
C3	<ol style="list-style-type: none"> 4. S-BAND PM ANT – GPC
MCC-H	<ol style="list-style-type: none"> 5. √KU-BAND Mask active

LAB Window	
IV	If EV crew near window, close window shutter

FGB Antennas	
MCC-M	<ol style="list-style-type: none"> 1. √TORU [TOPY] – Deactivate 2. √TV System [TBC] – Deactivate 3. √KURS P [Kurs] – Deactivate 4. √KURS A [Kurs] – Deactivate 5. √Sirius – Deactivate
SOYUZ Antennas	
MCC-M	<ol style="list-style-type: none"> 1. √KURS – Deactivate

SM Antennas (MCC-M)	
MCC-M	<ol style="list-style-type: none"> 1. Global Timing Sys 1 & 2 [GTS] – Deactivate

PCU	
	<u>NOTE</u> PCUs may require up to 1 hr warm-up period before they are operational
MCC-H	<ol style="list-style-type: none"> 1. √PCUs (two) operational, in discharge mode <p style="text-align: center;">OR</p> <ol style="list-style-type: none"> √1 PCU operational in discharge mode <p style="text-align: center;">OR</p> <ol style="list-style-type: none"> √One solar arrays oriented at least 105 deg from velocity vector

ESP2 Primary Power																						
MCC-H	<table style="width: 100%; border: none;"> <tr> <td style="width: 33%;">√RPCM N1RS2 B RPC 1 – Open</td> <td style="width: 33%;">√RPCM N1RS2 B RPC 10 – Open</td> <td style="width: 33%;">√RPCM N1RS2 B RPC 11 – Open</td> </tr> <tr> <td>√RPCM N1RS2 B RPC 2 – Open</td> <td>√RPCM N1RS2 B RPC 12 – Open</td> <td>√RPCM N1RS2 B RPC 13 – Open</td> </tr> <tr> <td>√RPCM N1RS2 B RPC 3 – Open</td> <td>√RPCM N1RS2 B RPC 14 – Open</td> <td>√RPCM N1RS2 B RPC 15 – Open</td> </tr> <tr> <td>√RPCM N1RS2 B RPC 4 – Open</td> <td>√RPCM N1RS2 B RPC 16 – Open</td> <td></td> </tr> <tr> <td>√RPCM N1RS2 B RPC 5 – Open</td> <td></td> <td></td> </tr> <tr> <td>√RPCM N1RS2 B RPC 6 – Open</td> <td></td> <td></td> </tr> <tr> <td>√RPCM N1RS2 B RPC 7 – Open</td> <td></td> <td></td> </tr> </table>	√RPCM N1RS2 B RPC 1 – Open	√RPCM N1RS2 B RPC 10 – Open	√RPCM N1RS2 B RPC 11 – Open	√RPCM N1RS2 B RPC 2 – Open	√RPCM N1RS2 B RPC 12 – Open	√RPCM N1RS2 B RPC 13 – Open	√RPCM N1RS2 B RPC 3 – Open	√RPCM N1RS2 B RPC 14 – Open	√RPCM N1RS2 B RPC 15 – Open	√RPCM N1RS2 B RPC 4 – Open	√RPCM N1RS2 B RPC 16 – Open		√RPCM N1RS2 B RPC 5 – Open			√RPCM N1RS2 B RPC 6 – Open			√RPCM N1RS2 B RPC 7 – Open		
√RPCM N1RS2 B RPC 1 – Open	√RPCM N1RS2 B RPC 10 – Open	√RPCM N1RS2 B RPC 11 – Open																				
√RPCM N1RS2 B RPC 2 – Open	√RPCM N1RS2 B RPC 12 – Open	√RPCM N1RS2 B RPC 13 – Open																				
√RPCM N1RS2 B RPC 3 – Open	√RPCM N1RS2 B RPC 14 – Open	√RPCM N1RS2 B RPC 15 – Open																				
√RPCM N1RS2 B RPC 4 – Open	√RPCM N1RS2 B RPC 16 – Open																					
√RPCM N1RS2 B RPC 5 – Open																						
√RPCM N1RS2 B RPC 6 – Open																						
√RPCM N1RS2 B RPC 7 – Open																						

ESP2 Secondary Power							
MCC-H	<table style="width: 100%; border: none;"> <tr> <td style="width: 50%;">√RPCM S04B F RPC 10 – Open</td> <td style="width: 50%;">√RPCM S04B F RPC 11 – Open</td> </tr> <tr> <td>√RPCM S04B F RPC 12 – Open</td> <td>√RPCM S04B F RPC 13 – Open</td> </tr> <tr> <td>√RPCM S04B F RPC 14 – Open</td> <td></td> </tr> </table>	√RPCM S04B F RPC 10 – Open	√RPCM S04B F RPC 11 – Open	√RPCM S04B F RPC 12 – Open	√RPCM S04B F RPC 13 – Open	√RPCM S04B F RPC 14 – Open	
√RPCM S04B F RPC 10 – Open	√RPCM S04B F RPC 11 – Open						
√RPCM S04B F RPC 12 – Open	√RPCM S04B F RPC 13 – Open						
√RPCM S04B F RPC 14 – Open							

NOTE: EV crew should not go more zenith than the IEA bulkhead to avoid S-band antenna high gain keep-out zone (3.6 ft in high gain, 1.3 ft in low gain)

EVA 3

NOTES, CAUTIONS, AND WARNINGS

NOTES

Verify connectors for debris, bent pins, and cable bend radii.

If EV crewmember within 10 ft of lab window, window shutter must be closed

CAUTION

Avoid inadvertent contact with:

- Grapple fixture shafts (have coating)
- Grapple fixture target pin
- SVS Targets
- SSRMS/MBS operating cameras & lights (heat source)
- MBSVDU, MCU, CRPCMs & Cameras (silver Teflon tape radiative surface)
- Passive UMA
- Deployed TUS cable
- PMA1 MDM sunshade
- PMA2 TCS Reflector
- EVA crane
- APAS hardware
- Deployed MISSEs (A/L)
- CID Switches
- Z1 PCU Cathode Ports
- Z1 heat pipe radiators/coldplates
- SASA – Antenna and Z-93 paint (Z1 & P6)
- P6 FPP
- S0 Radiators (silver Teflon tape)

Avoid inadvertent contact with:

- S0 GPS Antenna (Z-93 paint)
- Lights (Z-93 paint)

EVA 3

CAUTION (Cont)

EVA connectors may become hot if left uncovered. Limited handling may be needed

PMA handrails may be hot. Handling may need to be limited

Keepout zone:	EVA UHF PLB
Antenna (stbd sill)	Low power = 0.5 ft (nominal)
	High power = 2.3 ft above
	1.3 ft sides

Keepout zone:	WVS Antenna (stbd sill) – none
---------------	--------------------------------

For structural reasons:

- Avoid vigorous body motions, quick grabs, and kickoff tether restraints
- Avoid performing shaking motions (sinusoidal functions) more than four cycles

If any of these occur, wait 2-5 min to allow structural response to dissipate

Avoid contact with ROEU power connectors that are below the payload bay sill. Low impact force or contact can cause hardware damage

WARNING

PMA umbilical launch restraints have exposed bolt threads (sharp)

EVA connectors present a pinch hazard. Caution should be used when mating/locking connectors

Fuse tether buckles stowed in Node bag may have sharp edges

During Lab window shutter operations, the EV crew must be clear of the Lab window

EV side of crew lock hatch is a potential pinch point and snag hazard during hatch operations

Avoid inner edges of WIF sockets due to potential sharp edges

TBD PRLA grounding wiper is a sharp edge hazard

EVA 3 BRIEFING CARD

EV1 – Soichi EV2 – Steve IV – Andy
SSRMS: M1 – Wendy M2 – Vegas

EVA Prep start MET: ____ / ____ ____ : ____ ____
Start dressing at MET: ____ / ____ ____ : ____ ____ i.e., ____ hours after wake up

EVA Prep

- Get-up plan – Clothing and WCS usage in post-sleep period Food/Drink in A/L ?
- IDB fills (night before)
- Equipment lock activities – Overall big picture
- Prebreathe protocol review
- Suit donning plan – any special requests ? Boot Bladder Manipulation ?
- SAFER, MWS, tools, CL positions, bag stowage – any deviations from standard ?
- Airlock depress review
- EV/IV comm protocol
- SRMS/SSRMS initial position – any deviations from training ?
- Crib sheet review – only big ticket items (CMG rapid-safing, CIPAA gun safing)

EV Crew Procedure Review

- Overall Timeline – just talk big picture, initial tether config, critical ops
- Any deviations from trained plan ?
- Any late additions from the Ground ?
- Any unplanned constraints ?
- Any get ahead tasks ?
- RMS operations – comm protocol/clearances – any off-nominal operations ?
- Specific Items to remember (clearances, tether ops, interference opportunities, photos, etc)

Unplanned Activities

- Any late requests from ISS expected ?

Emergencies Review

- Lost comm. – check location, show cuff C/L in WVS or bend backwards
- EMU malfunctions – call it out, all get on same page
- Lost tools – don't rush, don't chase unless easy reach
- Lost crewmember – Call Code L, IV to give location directions etc.
- SAFER ops reminders
- DCS procedures – Call Cuff Checklist, or potential Cuff Checklist
- Incapacitated crewmember – work slow, bring him in, safe site

Post EVA

- Suit doffing responsibilities
- Post EVA plan
- Any special food/drink requests ?
- Make sure WCS and galley are available to EV crew

Any lessons learned from prior EVA's:

EVA 3 SUMMARY TIMELINE

PET TIME (HR : MIN)	EVA 3		
	IV/SSRMS	EV1 (FF)	EV2 (SSRMS)
00:00 --- --- --- --- ---	SSRMS: MANEUVERING TO AIRLOCK EGRESS SSRMS: APFR RECONFIG/INGRESS	<u>EVA 3 EGRESS/SETUP</u> (00:50) ■ POST DEPRESS and EGRESS (00:25) ■ SETUP (00:25)	<u>EVA 3 EGRESS/SETUP</u> (00:50) ■ POST DEPRESS and EGRESS (00:25) ■ SETUP (00:25)
01:00 --- --- ---	SSRMS: MANEUVERING TO ESP2 FOR ESPAD REMOVAL SSRMS: MANEUVERING TO A/L TRUNNION FOR ESPAD INSTALL	<u>PRIMARY CABLE ROUTING</u> (00:45) <u>MISSE 1 AND 2 RETRIEVAL</u> (01:00)	<u>ESPAD INSTALL</u> (01:45) ■ ESPAD REMOVAL (00:45) ■ ESPAD INSTALL (01:00)
02:00 --- --- ---	SSRMS: MANEUVER TO APFR EGRESS/REMOVAL SSRMS: ESP2 GRAPPLE	<u>MISSE 5 INSTALL</u> (01:00)	<u>MISSE 5 INSTALL</u> (01:00)
03:00 --- --- ---			
04:00 --- --- ---	SSRMS: ESP2 PRE-INSTALL	<u>SECONDARY CABLE ROUTING</u> (01:00)	<u>SECONDARY CABLE ROUTING</u> (01:00)
05:00 --- --- ---		<u>ESP2 INSTALL</u> (00:45) ■ GCA ESP2 TO BERTHING (00:15) ■ ATTACH ESP2 TO ESPAD (00:30)	<u>ESP2 INSTALL</u> (00:45) ■ GCA ESP2 TO BERTHING (00:15) ■ ATTACH ESP2 TO ESPAD (00:30) ■ CONNECT ESP2 POWER (00:40)
06:00 --- ---		<u>ESP2 FRGF REMOVE AND STOW</u> (00:40)	
---		<u>CLEANUP/INGRESS</u> (00:30) ■ INGRESS and PRE REPRESS (00:15)	<u>CLEANUP/INGRESS</u> (00:30) ■ INGRESS and PRE REPRESS (00:15)
---	EVA Time 6:30		

EVA 3 TOOL CONFIG

Pre-EVA 3 Tool Configuration

AIRLOCK

- Fuse Tether #2 (Fwd W-bungee)
- Spare PGT
- Wire Tie Caddy (with long and short)
- Fuse Tether #1 (Aft UIA D-ring, aft UIA HR)
- F5 Camera (2, 28mm)
- Ratchet
- 2-in ext
- Wire tie caddy
- MISSE PEC 5 on Stbd zenith bungee
- RET
- Adj
- MISSE Clamp Assembly # 3
- Adj

- D-ring extender

- ESP2 Power cables (2)
- Adj Tether (2)
- Wire Ties (4)

- IV Bag
- ISS Contamination Sampler (2)
- Drager Tubes (6)
- Gold Salt Kit
- Socket Caddy
- Socket, 6-in ext
- Socket, 1/2 in drive, 8-in ext
- GP Caddy (2)
- Thermal Mitten pairs (2)
- EVA Ratchet
- DCM plug
- Ziplock bag w/2 towels

Record:

Spare PGT (serial # _____, bat # _____)

EV1 PGT (serial # _____, bat # _____)

EV2 PGT (serial # _____, bat # _____)

RAD (serial # _____)

EV1

- MWS
- Right Swing Arm
- PGT w/6-in ext, RET
- Trash Bag
- T-Bar w/wire tie (2)
- Socket Caddy
- RAD
- Adj Tether (2)
- RET (2) (one to D-ring extender)
- BRT w/wire ties (2) w/RET, adj
- D-ring Extender (2)
- Waist Tether (2)
- Adj Tether (2) (1 each wrist)
- Safety tether (85 ft)

EV2

- MWS
- Right Swing Arm
- PGT w/6-in ext, RET
- T-Bar w/wire tie (2) w/RET to wire tie
- Trash bag
- Socket Caddy
- Adj Tether (2)
- RET (2)
- BRT w/wire ties (2) w/RET
- D-ring Extender (2)
- Waist Tether (2)
- Safety Tether (R)

SSRMS

- APFR [6,XX,L,2]
- WIF Adapter

Post-EVA 3 Tool Configuration

AIRLOCK

- Fuse Tether #2
- Spare PGT
- Wire Tie Caddy
- Fuse Tether #1
- F5 Camera (2, 28mm)
- WIF Adapter
- A/L trunnion thermal covers (2)
- Wire Tie Caddy
- PEC 1, 2
- RET
- D-ring extender with crew hook lock

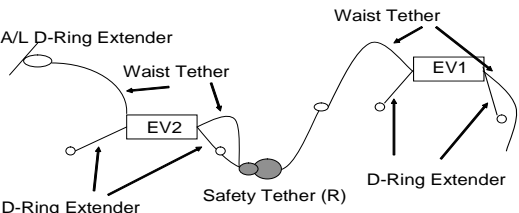
EV1

- MWS
- Right Swing Arm
- PGT w/6-in ext, RET
- T-Bar w/wire tie (2)
- Round Scoop
- Trash Bag
- Socket Caddy
- RAD
- Adj Tether (2)
- RET (2)
- BRT w/wire ties (2) w/RET
- D-ring Extender (2)
- Waist Tether (2)
- Adj Tether (2) (1 each wrist)

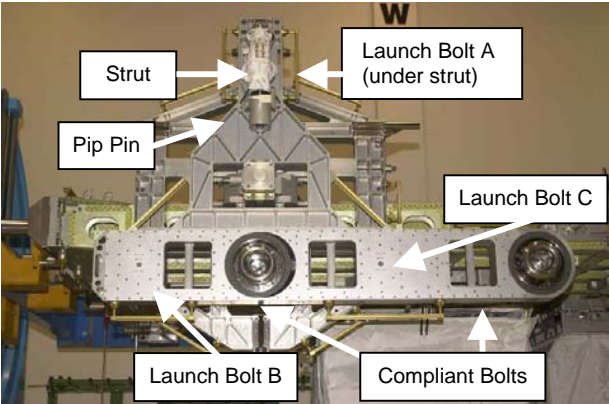
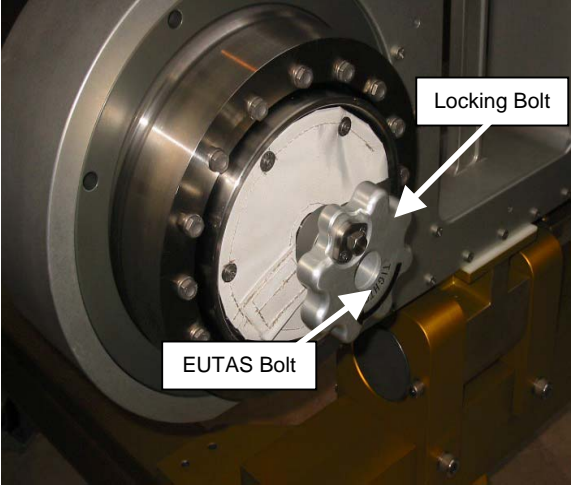
EV2

- MWS
- Right Swing Arm
- PGT w/6-in ext, RET
- Trash Bag
- T-Bar w/wire tie (2)
- Socket Caddy
- BRT w/wire ties (2) w/RET
- RET (sm-sm) (3)
- Adj Tether (2)
- D-ring Extender (2)
- Waist Tether (2)
- Safety Tether

EVA 3 EGRESS/SETUP

IV/RMS	EV1 (FF)	EV2 (SSRMS)
<ol style="list-style-type: none"> 1. SSRMS: MANEUVERING TO AIRLOCK EGRESS (<u>ROBOTICS FS, EVA 3</u>) 2. ISS views: PLB B on monitor 2, focus on ESPAD PLB C on downlink, focus at A/L  <ol style="list-style-type: none"> 3. IV: When EV1 complete with step 5, give SSRMS GO for APFR RECONFIG/INGRESS maneuver 4. SSRMS: After EVA GO, APFR RECONFIG/INGRESS (<u>ROBOTICS FS, EVA 3</u>) <ol style="list-style-type: none"> 5. SSRMS: After EVA GO, MANEUVERING TO ESP2 FOR ESPAD REMOVAL (<u>ROBOTICS FS, EVA 3</u>) 	<p>Initial Configuration: Waist tether (L) to EV2 Safety tether</p> <p><u>POST DEPRESS</u> (00:05) Perform POST DEPRESS (<u>DEPRESS/REPRESS</u> Cue Card)</p> <p><u>EGRESS</u> (00:20)</p> <ol style="list-style-type: none"> 1. Open A/L thermal cover 2. Egress airlock 3. Check SAFER valves down 4. Attach safety tether (85 ft) to A/L ring, verify hook locked 5. Attach EV2 Safety Tether to SSRMS, verify locked 6. Give EV2 GO for EV2 step 2 <ol style="list-style-type: none"> 7. Receive fuse tether #1 and primary and secondary ESP2 cables (2) from EV2; temp stow at A/L HR 0554 <p><u>SETUP</u> (00:25)</p> <ol style="list-style-type: none"> 8. Remove A/L trunnion covers (2). Temp stow covers on fuse tether 9. Retrieve ESP2 primary cable 10. Translate to primary cable worksite on Node endcone, connector J602 	<p>Initial Configuration: Waist tether (L) to A/L D-ring extender, Safety tether (R) to EV1 Waist tether (L)</p> <p><u>POST DEPRESS</u> (00:05) Perform POST DEPRESS (<u>DEPRESS/REPRESS</u> Cue Card)</p> <p><u>EGRESS</u> (00:20)</p> <ol style="list-style-type: none"> 1. Hold for EV1 GO 2. Release Waist tether from A/L D-ring 3. Hand out fuse tether #1 and primary and secondary ESP2 cables (2) to EV1 4. Egress A/L 5. Check SAFER valves down 6. Close thermal hatch <p><u>SETUP</u> (00:25)</p> <ol style="list-style-type: none"> 7. Verify/configure SSRMS APFR[12,PP, F, 6] 8. Ingress SSRMS 9. Verify feet in APFR 10. Give SSRMS GO for motion to ESPAD REMOVAL

ESPAD INSTALL

IV/RMS		EV2 (SSRMS)															
<ol style="list-style-type: none"> IV: Verify orbiter ESP 2 power cable inhibited L12U √APCU 1, 2 CONV (two) – OFF (tb-bp) √OUTPUT RLY tb (two) – bp √OUTPUT RLY (two) – OP ISS views: PLB B for ESPAD Removal SSRMS: MANEUVERING TO A/L TRUNNION FOR ESPAD INSTALL (<u>ROBOTICS FS, EVA 3</u>), confirm in position hold prior to ESPAD soft docking ISS views: PLB C for ESPAD Install IV: Record final torque values: 	 	<p><u>ESPAD REMOVAL</u> (00:45)</p> <ol style="list-style-type: none"> GCA SSRMS to ESP2 pwr cable On IV GO, demate orbiter power cable from ESP2 □ P1 from J1 Mate connector to dummy panel on KYA, stow cable slack on bracket □ P1 to dummy panel J3 Verify ESPAD claw open GCA SSRMS to ESPAD Deploy ESPAD strut clear of launch bolt A. Remove wire ties (2) and stow in trash bag. Remove pip pin from strut FSE PGT[B7, CCW2, 30.5] –6Ext-7/16: Release Launch Bolt A. Expect 9 turns Stow ESPAD strut, insert pip pin PGT[B7, CCW2, 30.5] –6Ext-7/16: Release EUTAS primary compliant mount lock release. Expect approx 25 turns PGT[B7, CCW2, 30.5] –6Ext-7/16: Release Launch Bolt C. Expect 9 turns Tether to active ESPAD HR 8032 inboard using ret PGT[B7,CCW2,30.5] –6Ext-7/16: Release EUTAS secondary compliant mount lock release. Expect approx 7 turns PGT[B7, CCW2, 30.5] –6Ext-7/16: Release Launch Bolt B. Expect 9 turns Remove active ESPAD from passive ESPAD. Expect to overcome 8 lb of soft dock force Positively control ESPAD and give GO to IV/SSRMS Flip ESPAD into A/L mating position If required, fold down MWS <p><u>ESPAD INSTALL</u> (01:00)</p> <ol style="list-style-type: none"> On SSRMS GO, soft dock ESPAD into A/L trunnion. Expect soft dock force of 46 lb Hand tighten port and starboard EUTAS center bolts with hand knobs ← □ Report torque and turns PGT[B7, CW2, 30.5] –6Ext-7/16: Torque down port EUTAS bolt to a torque stall PGT[B7, CW2, 30.5] –6Ext-7/16: Torque down stbd EUTAS bolt to a torque stall PGT[A6, CW2, 10.5] –6Ext-7/16: Lock down stbd EUTAS lock bolt to a torque stall 															
<table border="1"> <thead> <tr> <th>Bolt</th> <th>Turns</th> <th>Torque</th> </tr> </thead> <tbody> <tr> <td>Port EUTAS</td> <td></td> <td></td> </tr> <tr> <td>Port EUTAS lock bolt</td> <td></td> <td></td> </tr> <tr> <td>Stbd EUTAS</td> <td></td> <td></td> </tr> <tr> <td>Stbd EUTAS lock bolt</td> <td></td> <td></td> </tr> </tbody> </table>	Bolt	Turns	Torque	Port EUTAS			Port EUTAS lock bolt			Stbd EUTAS			Stbd EUTAS lock bolt				
Bolt	Turns	Torque															
Port EUTAS																	
Port EUTAS lock bolt																	
Stbd EUTAS																	
Stbd EUTAS lock bolt																	

ESPAD INSTALL (Cont)

IV/RMS		EV2 (SSRMS)
<p>6. SSRMS: On EVA GO, maneuver to APFR EGRESS/REMOVAL (<u>ROBOTICS FS</u>, EVA 3)</p> <p>7. SSRMS: On EVA GO, CLEAR STRUCTURE and perform ESP2 GRAPPLE (<u>ROBOTICS FS</u>, EVA 3)</p>		<p>23. PGT[A6, CW2, 10.5] –6Ext-7/16: Lock down port EUTAS lock bolt to a torque stall</p> <p>24. Open starboard and port V guide latches</p> <p>25. Perform WVS survey of ESPAD <input type="checkbox"/> WVS survey complete</p> <p>26. Give SSRMS GO to APFR EGRESS/RECONFIG</p> <p>27. Egress APFR</p> <p>28. Verify A/L toolbox # 2 WIF is [6, GG]</p> <p>29. Tether to APFR, remove from SSRMS</p> <p>30. Stow APFR in A/L Toolbox # 2 WIF[6, PP, C, 12]</p> <p>31. Remove WIF adapter from SSRMS</p> <p>32. Place waist tether on A/L HR, verify hook locked</p> <p>33. Remove safety tether from SSRMS, attach to A/L HR, verify hook locked</p> <p>34. Remove waist tether from A/L HR</p> <p>35. Give SSRMS GO for ESP2 GRAPPLE</p> <p>36. Stow WIF adapter on fuse tether</p> <p>37. Open socket access flap on A/L FRGF thermal cover</p> <p>38. Deploy ESPAD strut and connect to A/L FRGF. Move slidelocks into locked position (2)</p> <p>39. Close MLI flap around strut and A/L FRGF</p> <p>40. Open nadir V guide latch</p>

ESPAD INSTALL – TASK DATA

Estimated Task Duration:

	With SSRMS	Without SSRMS
Two EV Crew	1:45	N/A

Tools:

EV1 (FF)	EV2 (SSRMS)
	PGT
	7/16 (wobble) socket-6 ext

EVA Fasteners:

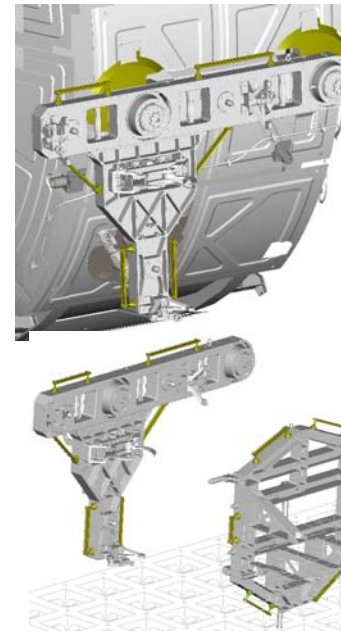
Fastener Name	Head Size	Qty	Install Torque (ft-lb)	Release Torque (ft-lb)	Failure Torque (ft-lb)	Turns
ESPAD Launch Bolts	7/16	3	20.8	21.6		9
ESPAD Comp. Bolt (primary)	7/16	1	8.3	12.5		7
ESPAD Comp. Bolt (secondary)	7/16	1	8.3	12.5		25
ESPAD EUTAS Bolts	7/16	2	25.5	25.0	101.7	7.5
EUTAS lock down bolts	7/16	2	8.3	8.3	23.6	2.6
ESPAD Claw	7/16	1	20.8	20.8		60

EVA Connectors:

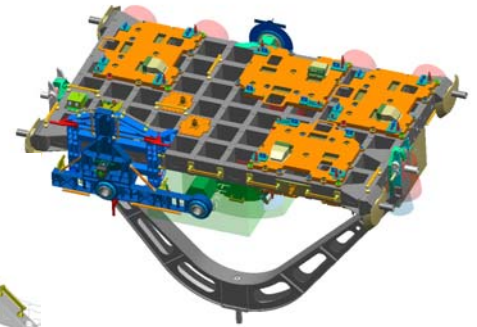
Harness	From	To	Conn Size	Function
ESP2 Shuttle Pwr	ESP2	ICC Keel	25	ESP2 Orbiter Power
ESP2 Primary Power Cable	Dust Cap	Node J602	21	ESP2 Prime Power

Foot Restraints:

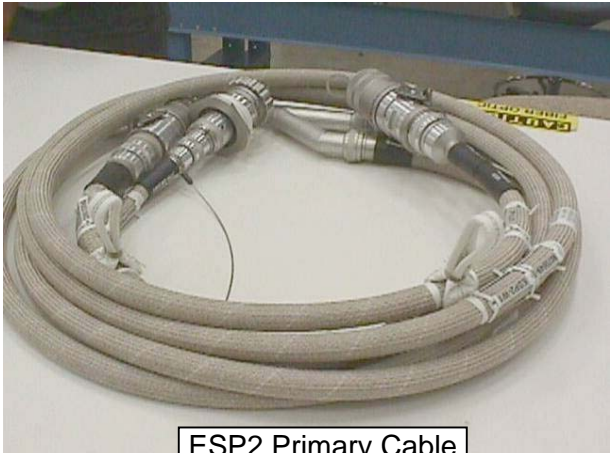
Task	WIF	APFR Setting
ALL	SSRMS	12, PP, F, 6



ESPAD/ESP2



PRIMARY CABLE ROUTING

IV/RMS	EV1 (FF)	
<p>1. IV: Verify with MCC-H ISS ESP2 power inhibits in place per EVA Inhibit pad ESP2 ISS power, primary and secondary inhibits</p>	<p><u>PRIMARY CABLE ROUTING</u> (00:30)</p> <ol style="list-style-type: none"> 1. Translate to Node J602 2. Remove dust covers, stow in trash bag ☐ P602 (ESP2 cable) ☐ J602 (Node) 3. On IV GO, mate connector: ☐ ESP2 P602 to Node J602 4. Wire tie J602 pig tail as required, route primary cable using wire ties as required ☐ Node 0134 ☐ Node 0135 ☐ A/L 0519 5. Temp stow cable bundle on A/L 0531 	 <p data-bbox="1535 699 1822 737">ESP2 Primary Cable</p>

PRIMARY CABLE ROUTING – TASK DATA

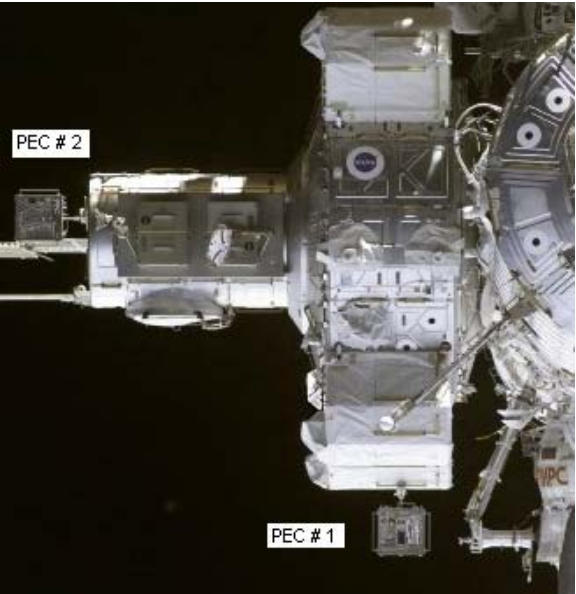
Tools:

EV1 (FF)
Wire ties
Trash Bag

EVA Connectors:

Harness	From	To	Conn Size	Function
ESP2 P602	Dust Cap	Node J602		Power
ESP2 J602	Dust Cap	Node HR (wire tie)		Future Use

MISSE 1 AND 2 RETRIEVAL

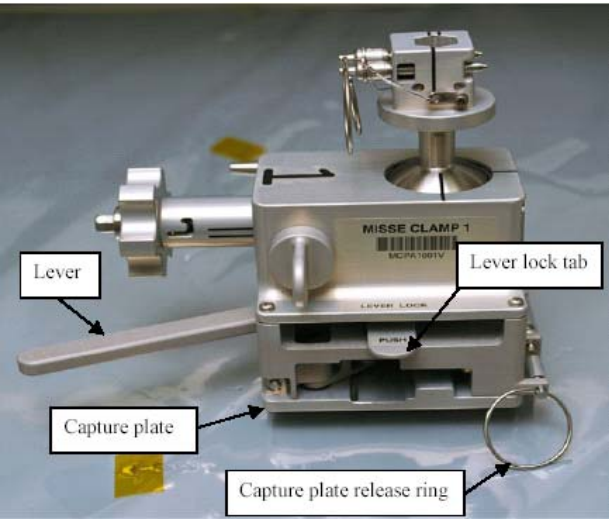
IV/RMS	EV1 (FF)	
	<p><u>MISSE #1 RETRIEVE</u></p> <ol style="list-style-type: none"> 1. Translate to MISSE #1 on ONTO #2 (equipment lock nadir) 2. Provide WVS survey of MISSE #1 3. Release pip pins (2) securing MISSE #1 open 4. Close MISSE #1; reinsert pip pins (2) to secure MISSE #1 closed 5. Tether to MISSE #1 6. Release probe pip pins (2) on handrail clamp 7. Remove MISSE #1 from HR clamp 8. Translate to airlock hatch; temp stow <p><u>MISSE #2 RETRIEVE</u></p> <ol style="list-style-type: none"> 9. Translate to MISSE #2 on C-Lk endcone 10. Provide WVS survey of MISSE #2 11. Release pip pins (2) securing MISSE #2 open 12. Close MISSE #2; reinsert pip pins (2) to secure MISSE #2 closed 13. Tether to MISSE #2 14. Release probe pip pins (2) on handrail clamp 15. Remove MISSE #2 from HR clamp 16. Translate to airlock, open thermal cover 17. Stow MISSE (2) in A/L 	

MISSE 1 AND 2 RETRIEVAL – TASK DATA

EVA Fasteners (contingency bolts only):

Fastener Name	Head Size	Qty	Install Torque (ft-lb)	Release Torque (ft-lb)	Failure Torque (ft-lb)	Turns
MISSE Stem Contingency Bolt	7/16	2	1.7	2.1	6.0	16

MISSE 5 INSTALL

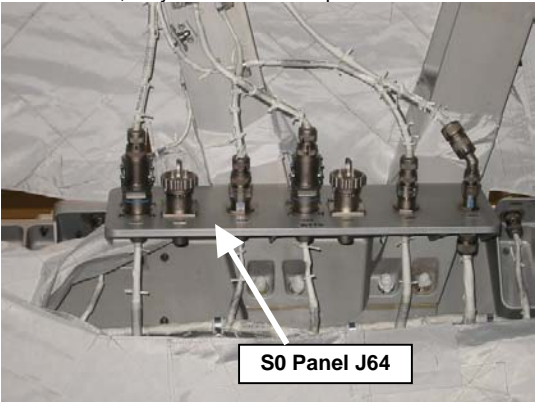
IV/RMS	EV1 (FF)	EV2 (FF)
 <p style="text-align: center;">MISSE CLAMP ASSEMBLY</p>	<p><u>MISSE #5 INSTALL</u></p> <ol style="list-style-type: none"> 1. Retrieve MISSE clamp assembly #3 from A/L, hand to EV2 2. Retrieve MISSE 5 3. Place MISSE 5 in BRT 4. Egress A/L, close thermal cover 5. Retrieve safety tether from A/L ring 6. Translate to P6 handrail 5312 7. Perform safety tether swap 8. Attach extra safety tether to HR 5312 and right D-ring extender; verify both hooks locked 9. Temp stow airlock safety tether on HR 5312 10. Translate to P6 aft trunnion HR 5389 <ol style="list-style-type: none"> 11. Install MISSE #5 into handrail clamp pointer; check alignment 12. Insert probe pip pins (2) 13. Release pip pins (2) securing MISSE #5 closed 14. Open MISSE #5; reinsert pip pins (2) to secure MISSE open 15. Install grounding strap into handrail standoff 16. Release antenna Velcro restraints; deploy antennas 17. Verify electronics switch – OFF 18. Swap MISSE safe and arm plugs 19. Move electronics switch to ON 20. Provide WVS survey of MISSE #5 and clamp assy 21. Translate to P6 handrail 5312 22. Perform safety tether swap to airlock safety tether; verify hook locked 23. Remove spare safety tether from HR 24. Translate to joint airlock; stow spare safety tether 	<p><u>MISSE #5 INSTALL</u></p> <ol style="list-style-type: none"> 1. Translate to A/L 2. Retrieve safety tether from A/L ring 3. Receive MISSE clamp assembly #3 4. Stow clamp and safety tether on MWS 5. Translate to P6 handrail 5309 6. Perform safety tether swap 7. Attach extra safety tether to HR 5309 and right D-ring extender; verify both hooks locked 8. Temp stow airlock safety tether on HR 5309 9. Translate to P6 aft trunnion HR 5389 10. Verify clamp assy handle in UNLOCK 11. Release capture plate (1 pip pin); open 12. Install clamp pointer around HR 5389 13. Verify capture plate pip pin installed 14. Push LEVER LOCK; place clamp assy lever to LOCK 15. Pull MISSE probe latching pip pins (2) 16. Assist EV1 w/MISSE deploy <ol style="list-style-type: none"> 17. Translate to P6 handrail 5309 18. Perform safety tether swap onto airlock safety tether; verify hook locked 19. Remove spare safety tether from HR 20. Translate to joint airlock; stow spare safety tether

MISSE 5 INSTALL – TASK DATA

EVA Fasteners (contingency bolts only):

Fastener Name	Head Size	Qty	Install Torque (ft-lb)	Release Torque (ft-lb)	Failure Torque (ft-lb)	Turns
MISSE Stem contingency Bolts	7/16	2	1.7	2.1	6.0	16

SECONDARY CABLE ROUTING

IV/RMS	EV1 (FF)	EV2 (FF)
	<p><u>SECONDARY CABLE ROUTING</u> (01:00)</p> <ol style="list-style-type: none"> 1. Translate to S0 face 1, bay 3 (stbd) 2. Uncouple CETA cart from MT 3. Reposition CETA carts for bay 3 ingress, set brake 4. Enter bay 3, BRT to HR 3421 5. Receive pigtail cable from EV2; temp stow 6. Verify enough slack for connector operations, give EV2 GO for cable routing 7. Release TA clamps on P59 and P57 if required 8. Remove dust caps from ESP2 cable P57A and J57A and stow in trash bag 9. On IV GO, demate connector: <ul style="list-style-type: none"> <input type="checkbox"/> S0 P57 from S0 panel J64 10. Mate connectors: <ul style="list-style-type: none"> <input type="checkbox"/> ESP2 J57A to S0 P57 <input type="checkbox"/> ESP2 P57A to S0 panel J64 11. Restow P59 and P57 in TA clamps if required 12. Restrain remaining slack and perform WVS closeout <ul style="list-style-type: none"> <input type="checkbox"/> WVS survey complete 13. Egress bay and replace CETA carts. Confirm brakes released 14. Assist EV2 as required, watch for helmet and PLSS clearance, stay stbd on CETA spur  <p style="text-align: center;">S0 Panel J64</p>	<p><u>SECONDARY CABLE ROUTING</u> (01:00)</p> <ol style="list-style-type: none"> 1. Retrieve wire tie caddy from fuse tether 2. Retrieve secondary power cable bundle from A/L 3. Fair lead at A/L end of CETA spur, stay port on CETA spur 4. Translate to S0 face 6, bay 3, near HR 3423 5. Feed cable with pigtail end to EV1 6. Route secondary power cable. Restrain with wire ties as required <ul style="list-style-type: none"> <input type="checkbox"/> Keel strut HR (stbd end) <input type="checkbox"/> S0 3437 (stbd end) <input type="checkbox"/> MTS strut very short HR (stbd end) <input type="checkbox"/> MTS strut long HR (stbd end) <input type="checkbox"/> MTS strut short HR (port end) <input type="checkbox"/> Very short HR on Lab at port end of MTS strut <input type="checkbox"/> Lab 0215 (zenith end) <input type="checkbox"/> A/L 0519 (zenith end) 7. Temp stow remaining cable at A/L HR 0519

SECONDARY CABLE ROUTING – TASK DATA

	With SSRMS	Without SSRMS
Two EV Crew	N/A	1:00

Tools:

EV1 (FF)	EV2 (FF)
Wire ties	Wire ties
Trash Bag	

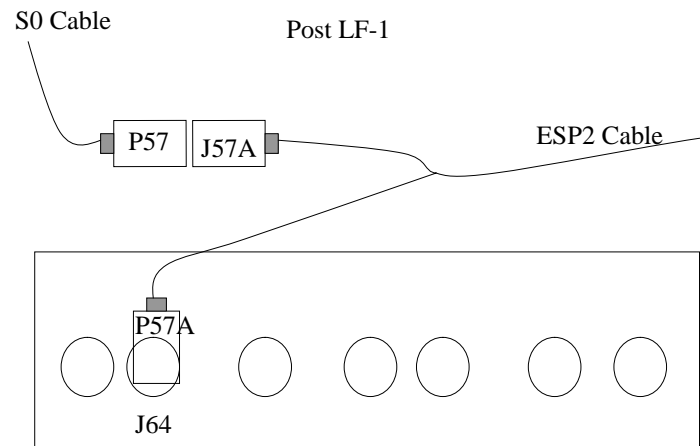
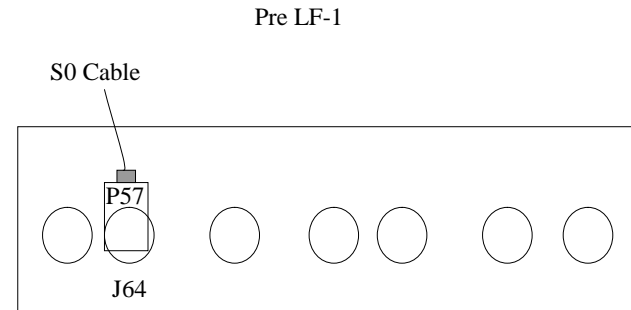
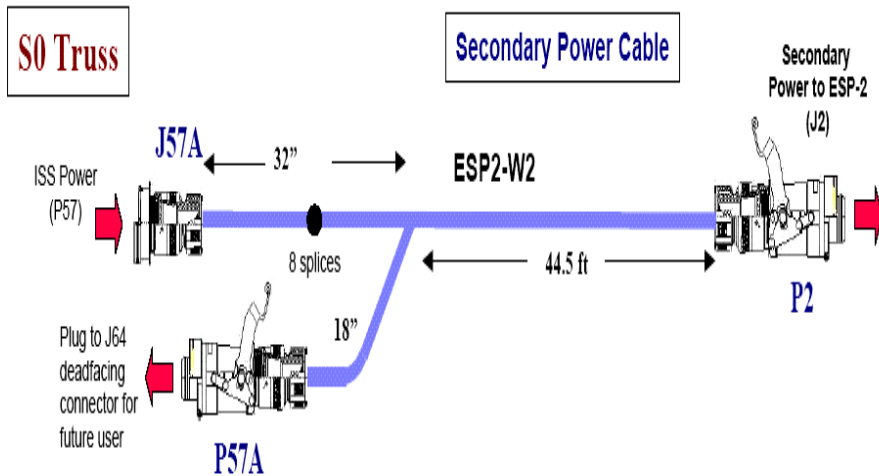
EVA Fasteners:

EVA Connectors:

Harness	From	To	Conn Size	Function
ESP2 P57A	Dust Cap	S0 panel J64	15	Power
ESP2 J57A	Dust Cap	S0 P57	15	Power
S0 P59	S0 J59	S0 panel J65	15	Power
S0 P57	S0 panel J57	ESP2 J57A	15	Power

Foot Restraints:

Task	WIF	APFR Setting
S0 connector mates (if required)	S0-	12, YY, G, 12



ESP2 INSTALLATION

IV/RMS	EV1 (FF)	EV2 (FF)												
<ol style="list-style-type: none"> SSRMS: When 10 min from ESP2 PRE-INSTALL, give EVA a ten-min warning ISS views: PLB C for ESP2 Install SSRMS: Give IV GO to close capture claw to capture bar contact IV: Record number of turns: _____ IV: Give SSRMS GO for limp mode after capture claw contact and EV1 and EV2 verifications SSRMS: On IV GO, go to limp mode, give IV GO for final capture claw close, remind EV1 to stop if SSRMS calls brakes on Comm protocol: EV1 "Comm check"; "IV GO"; "M1 GO" IV: Record number of turns: _____ SSRMS: On IV GO, apply brakes, give IV GO for guide vanes Give EV GO for guide vanes IV: Record final torque values: _____ Record number of turns: _____ IV: Give SSRMS GO for ESP2 ungrapple when torque/turn values are recorded 	<p><u>GCA ESP2 BERTHING (00:15)</u></p> <ol style="list-style-type: none"> Translate to A/L HR 0502 location for ESP2 berthing (stbd nadir of the ESPAD) Confirm in position and safety tethers clear, verify ESPAD claw and latches open Provide GCA to SSRMS, verify nadir RTL indicators <p><u>ATTACH ESP2 TO ESPAD (00:30)</u></p> <ol style="list-style-type: none"> BRT to A/L HR 0503 PGT[B7, CW2, 30.5] –6Ext-7/16: On IV GO, close capture claw to contact, inform IV GO for limp mode ← <input type="checkbox"/> Report Turns Verify ESP2 still within V-guides PGT[A3, CW1, 30.5] –6Ext-7/16: On SSRMS GO, close capture claw to hard stop, using pulses of 1.5 turns and verify comm after each pulse (EV1 "Comm check", "IV GO", "M1 GO") ← <input type="checkbox"/> Report Turns Give IV GO for brakes On IV GO, manually close nadir guide vane lock down bar PGT[B7, CW2, 30.5] –6Ext-7/16: Torque down nadir guide vane lock down bar to a hard stop, lock knob ← <input type="checkbox"/> Report Torque and Turns PGT[B1, CCW2, 30.5] –6Ext-7/16: After EV2 GO, back off ESPAD capture claw 30 turns ← <input type="checkbox"/> Report Turns Perform WVS survey of ESPAD/ESP2 <input type="checkbox"/> WVS survey complete 	<p><u>GCA ESP2 BERTHING (00:15)</u></p> <ol style="list-style-type: none"> Translate to MT strut HR location for ESP2 berthing (ESPAD port zenith, on Lab) Confirm in position and safety tethers clear, verify ESPAD claw and latches open Provide GCA to SSRMS, verify port and stbd RTL indicators (2) <p><u>ATTACH ESP2 TO ESPAD (00:30)</u></p> <ol style="list-style-type: none"> Verify ESP2 still within V-guides On IV GO, manually close port guide vane lock down bar Manually close starboard guide vane lock down bar PGT[B7, CW2, 30.5] –6Ext-7/16: Torque starboard guide vane lock down bar to a hard stop, lock knob ← <input type="checkbox"/> Report Torque and Turns PGT[B7, CW2, 30.5] –6Ext-7/16: Torque port guide vane lock down bar to a hard stop, lock knob Give EV1 GO for claw ops <p><u>CONNECT ESP2 POWER</u></p> <ol style="list-style-type: none"> Retrieve and route primary and secondary ESP2 cables (2) to ESPAD HR Remove dust covers <input type="checkbox"/> P1 (Pri Cable) <input type="checkbox"/> P2 (Sec Cable) <input type="checkbox"/> J2 (ESP2) Mate connectors: <input type="checkbox"/> P1 (Cable) to J1 (ESP2) <input type="checkbox"/> P2 (Cable) to J2 (ESP2) Perform WVS closeout of connectors <input type="checkbox"/> WVS survey complete Cleanup, coil remaining cable at HR 8032 Retrieve adj tethers, stow on fuse tether Give IV GO for ESP2 power 												
<table border="1"> <thead> <tr> <th>Bolt</th> <th>Turns</th> <th>Torque</th> </tr> </thead> <tbody> <tr> <td>Stbd Guide Vane</td> <td></td> <td></td> </tr> <tr> <td>Port Guide Vane</td> <td></td> <td></td> </tr> <tr> <td>Nadir Guide Vane</td> <td></td> <td></td> </tr> </tbody> </table>	Bolt	Turns	Torque	Stbd Guide Vane			Port Guide Vane			Nadir Guide Vane				
Bolt	Turns	Torque												
Stbd Guide Vane														
Port Guide Vane														
Nadir Guide Vane														

ESP2 INSTALLATION – TASK DATA

Estimated Task Duration:

	With SSRMS	Without SSRMS
Two EV Crew	0:45	N/A

Tools:

EV1 (FF)	EV2 (FF)
PGT	PGT
7/16 (wobble) socket-6 ext	7/16 (wobble) socket-6 ext
Wire ties	Wire ties

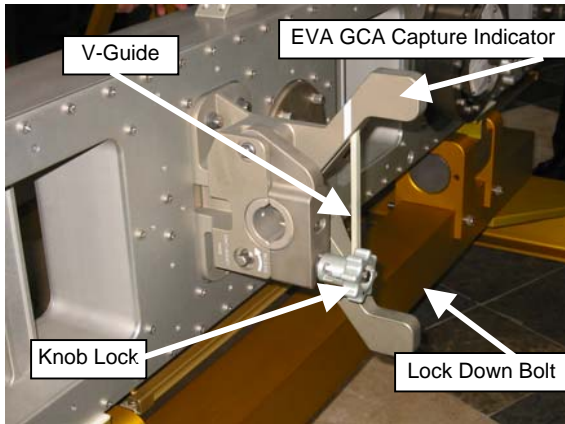
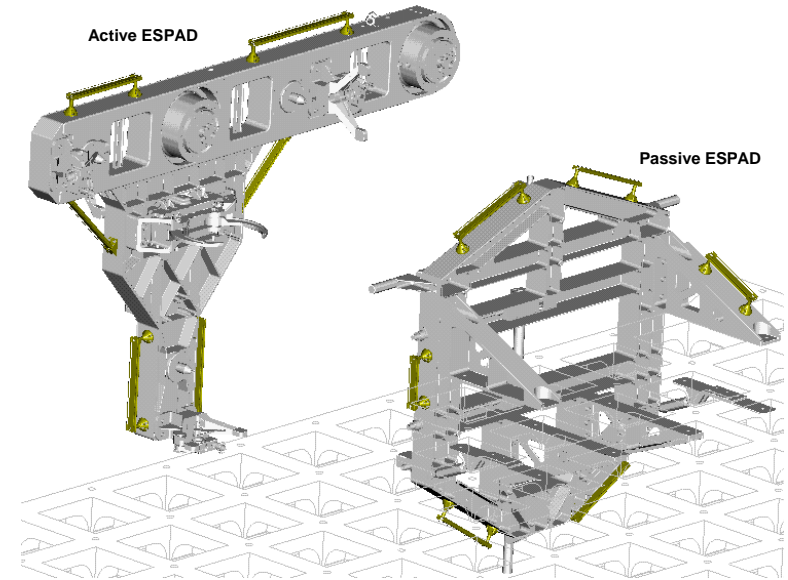
EVA Fasteners:

Fastener Name	Head Size	Qty	Install Torque (ft-lb)	Failure Torque (ft-lb)	Turns
ESPAD Lock down bolts	7/16	3	25.0		N/A
ESPAD Claw	7/16	1	10.0		10

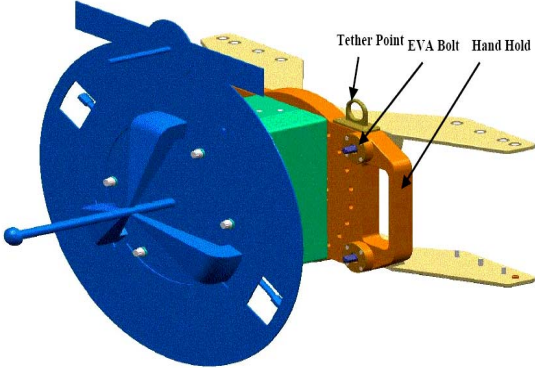
EVA Connectors:

Harness	From	To	Conn Size	Function
ESP2 cable P1	Dust cover	ESP2 J1	25	Power (prime)
ESP2 cable P2	Dust cover	ESP2 J2	25	Power (secondary)

ESPAD Components



ESP2 FRGF REMOVE AND STOW

IV/RMS	EV1 (FF)											
<p>1. IV: Record number of turns RAD is used:</p> <table border="1" data-bbox="176 472 543 703"> <thead> <tr> <th>Bolt</th> <th>Turns</th> </tr> </thead> <tbody> <tr> <td>FRGF 1</td> <td></td> </tr> <tr> <td>FRGF 2</td> <td></td> </tr> <tr> <td>FRGF 3</td> <td></td> </tr> <tr> <td>FRGF 4</td> <td></td> </tr> </tbody> </table>	Bolt	Turns	FRGF 1		FRGF 2		FRGF 3		FRGF 4		<p><u>ESP2 FRGF REMOVE</u></p> <ol style="list-style-type: none"> Retrieve ratchet w/2-in ext from A/L fuse tether Translate to ESP2 FRGF BRT to ESP2 HR 8011 Ratchet: Break torque on ESP2 FRGF stbd bolts (2). Expect 10 turns PGT[B1, CCW2, 30.5] –RAD-2Ext-7/16: Release ESP2 FRGF stbd bolts (2). Expect 12 turns <p>← <input type="checkbox"/> Report # of RAD turns</p> <ol style="list-style-type: none"> BRT to ESP2 HR 8012 Tether to ESP2 FRGF Ratchet: Break torque on ESP2 port FRGF bolts (2) PGT[B1, CCW2, 30.5] –RAD-2Ext-7/16: Release ESP2 FRGF port bolts (2). Expect 12 turns <p>← <input type="checkbox"/> Report # of RAD turns</p> <ol style="list-style-type: none"> Temp stow ratchet on ESP2 HR Place FRGF in BRT Translate to stbd TSA <p><u>ESP2 FRGF STOW</u></p> <ol style="list-style-type: none"> Open stbd TSA latches (4) Stow FRGF Close TSA latches (4) Translate to A/L 	<p>ESP2 FRGF</p> 
Bolt	Turns											
FRGF 1												
FRGF 2												
FRGF 3												
FRGF 4												

ESP2 FRGF REMOVE AND STOW – TASK DATA

EVA Fasteners:

Fastener Name	Head Size	Qty	Install Torque (ft-lb)	Release Torque (ft-lb)	Failure Torque (ft-lb)	Turns
FRGF Bolts	7/16	4				12

CLEANUP/INGRESS

IV/RMS	EV1 (FF)	EV2 (FF)
<p>1. Perform EV1 and EV2 tool inventory</p>	<p><u>CLEANUP</u> (00:15)</p> <ol style="list-style-type: none"> 1. Photo ops <p><u>INGRESS</u> (00:15)</p> <ol style="list-style-type: none"> 2. Translate to hatch 3. Perform tool inventory 4. Hand in fuse tether 5. On EV2 GO, remove EV2 safety tether, attach to left waist tether 6. Remove safety tether from A/L ring and stow on MWS 7. Ingress A/L 8. Connect SCU to DCM; check SCU locked 9. Water – OFF 10. Close thermal cover, attach Velcro strap <div style="border: 1px solid black; padding: 5px; text-align: center;"> <p>CAUTION Do not close hatch until EMU water off for 2 min</p> </div> <ol style="list-style-type: none"> 11. EV Hatch – close and lock 12. Go to PRE REPRESS portion of {CREWLOCK <u>DEPRESS/REPRESS</u> CUE CARD} (SODF: ISS EVA SYS: EVA PREP/POST) 	<p><u>CLEANUP</u> (00:15)</p> <ol style="list-style-type: none"> 1. Photo ops <p><u>INGRESS</u> (00:15)</p> <ol style="list-style-type: none"> 2. Translate to hatch 3. Open thermal cover 4. Perform tool inventory 5. Ingress A/L 6. Attach left waist tether to A/L D-ring 7. Give EV1 GO for tether ops 8. Connect SCU to DCM; check SCU locked 9. Water – OFF <ol style="list-style-type: none"> 10. Go to PRE REPRESS portion of {CREWLOCK <u>DEPRESS/REPRESS</u> CUE CARD} (SODF: ISS EVA SYS: EVA PREP/POST)

UNSCHEDULED/CONTINGENCY EVA TASKS

LF1 EVA FAILURE WORKAROUND CRIBSHEET	FS 16-3
RELEASE ROEU LATCHES	FS 16-10
LATCH ROEU LATCHES	FS 16-11
STOW ROEU ARM.....	FS 16-12
MATE ROEU ARM.....	FS 16-13
ROEU OVERVIEW	FS 16-14
MANUALLY OPEN/CLOSE CBM PETAL.....	FS 16-15
CLEAR/RESTRAIN CBM CAPTURE LATCH.....	FS 16-16
REMOVE/REPLACE CBM CONTROLLER ASSEMBLY.....	FS 16-17
MMOD CENTER COVER.....	FS 16-19

UNSCH/CONT
EVA TASKS

This Page Intentionally Blank

LF1 EVA FAILURE WORKAROUND CRIBSHEET

Procedure	Failure	Work-Around Steps	Comments
I. GENERIC	A. TA clamps fail to release	Use tether hook for additional leverage to open clamp	
	B. Connector fails to mate	Detach from soft dock and inspect, cycle disengaged connector: <ul style="list-style-type: none"> ▪ Bent pins ▪ FOD ▪ EMI band ▪ Cable bend radius ▪ Bail linkages/rivets (both passive and active connector sides) ▪ Soft dock spring ▪ O-ring seal on non-active side ▪ Connector keying features 	
	C. Connector pin bent	1. Describe bent pin location to MCC <ul style="list-style-type: none"> ▪ Rotate connector to bail up position, describe pin condition ▪ If possible, obtain WVS view of interface 	
		2. On MCC GO, Obtain connector pin straightener (16,21,22 gage) or needle nose pliers. Attempt pin repair	MCC determine if repair is necessary. Repair may damage other pins
	D. Connector FOD	On MCC GO, obtain connector cleaner tool from A/L staging bag. Attempt removal of FOD	MCC determine necessity of time to retrieve tools
	E. Connector EMI band bent	On MCC GO, obtain needle nose pliers or forceps. Remove EMI band from connector	MCC determine necessity of time to retrieve tools
	F. Connector bail linkage failure	On MCC GO, re-attempt connector mate with broken bail. Vice grips may be used for additional leverage	MCC determine potential safety hazards and necessity of time to retrieve tools
	G. Connector soft dock spring bent	On MCC GO, obtain needle nose pliers. Attempt to remove bent spring	MCC determine necessity of time to retrieve tools. Low probability of success
	H. Connector O-ring seal loose	1. Remove seal with tether hook	Common occurrence
2. On MCC GO, obtain needle nose pliers. Attempt to remove seal		MCC determine necessity of time to retrieve tools	

LF1 EVA FAILURE WORKAROUND CRIBSHEET (Cont)

Procedure	Failure	Work-Around Steps	Comments
	I. MMOD shield fastener fails to release	<p>On MCC GO,</p> <div style="border: 3px double black; padding: 5px; text-align: center;"> <p>WARNING</p> <p>Do not touch back side of MMOD Shields or handle any fastener fragments due to sharp edges</p> <p>Fastener and Shield/Tool interface must be covered to avoid potential projectiles</p> </div> <ul style="list-style-type: none"> ▪ Retrieve ISS prybar from Node Bag and RPCM MLI ▪ Release all other fasteners on MMOD shield ▪ Assess clearance between the MMOD shield and the tools ▪ If possible, rotate fastener to position tangs off of wire (unlock) ▪ Place MLI cover over MMOD shield and tool interface ▪ Insert tool under MMOD shield by failed fastener and pry the shield away from the structure until the fastener is freed ▪ If required, place tape over the failed fastener 	Concurrence obtained post 5A via EVA AIT
	J. MMOD shield fastener doesn't engage	Use alternate fastener(s). Two total fasteners per shield should be engaged. For non-overlapping shields, fasteners should be diagonally opposite. Overlapping shields should use fasteners opposite of the overlapping end	
	K. T-handle tool fails to engage shield for handling	<ol style="list-style-type: none"> 1. Remove adjacent fasteners, attempt reinstallation of tool into shield 2. Use only one shield tool for handling 	
	L. PAD release knob fails to rotate to close	<ol style="list-style-type: none"> 1. Verify knob in release position 2. Stow PAD, retrieve backup PAD from Node bag 	
	M. PAD release knob fails to rotate to open	<ol style="list-style-type: none"> 1. Verify knob in release position 2. Attempt to rotate release knob using 7/16" ratchet on knob's 7/16" hex stud 3. To remove PAD from SRMS, release contingency release bar by rotating 7/16" captive release bolts (2) ccw 	

LF1 EVA FAILURE WORKAROUND CRIBSHEET (Cont)

Procedure	Failure	Work-Around Steps	Comments
	N. APFR doesn't install in WIF	1. Verify APFR collar in install position	
		2. Attempt APFR installation in adjacent WIF	
		3. If APFR installs in adjacent WIF, use backup WIF	
		4. If APFR doesn't install in adjacent WIF, use alternate APFR	
	O. Safety tether doesn't tend	1. Pull out small amount of cable, allow reel to retract while holding cable slightly tensioned	
		2. Use alternate safety tether	
	P. TSA latch failed closed	Release 7/16" EVA bolt on latch bracket, rotate bracket clear of latch tongue	
Q. TSA latch failed open	Close remaining latches (3 of 4 required for landing)		
II. INSTALL HANDRAIL	A. Handrail will not install in seat track	1. Verify rigid BRT	
		2. Verify handrail shoe is completely released	
		3. PGT[A4 5.0ft-lb, CCW2 30RPM]-6Ext-7/16: Verify handrail bolt completely released	
B. Fastener will not engage completely	Release bolt, verify alignment, re-attempt nominal installation		
III. ESPAD INSTALL	A. EUTAS compliant mount lock fastener (outboard) fails to release	1. If less than one turn, set PGT to manual ratchet mode	One turn is sufficient to achieve compliance for installation
		2. If less than one turn, use ratchet with cheater bar	
		3. If less than one turn, do not remove from FSE	
	B. EUTAS compliant mount lock fastener (inboard) fails to release	1. If less than 15 turns, set PGT to manual ratchet mode	15 turns is sufficient to achieve compliance for installation
		2. If less than 15 turns, use ratchet with cheater bar	
		3. If less than 15 turns, do not remove from FSE	
	C. ESPAD Launch bolt (A, B or C) fail to release	1. Increase PGT torque setting to B7, ensure locking sleeve is fully depressed	2. Contingency Release: Remove contingency bolt from pallet side of passive ESPAD PGT[B7, CC2, 30.5] , expect 12 turns. Ball socket housing remains attached to ESPAD After installation to A/L, remove FSE housing from ESPAD. Retrieve ratchet, cheater bar (Z1 ETSD) and release 4 contingency bolts. Expect 38 ft-lb and 14 CCW turns
		2. Contingency Release:	

LF1 EVA FAILURE WORKAROUND CRIBSHEET (Cont)

Procedure	Failure	Work-Around Steps	Comments
	D. Unable to mate ESPAD to A/L	1. Back off and reattempt. Confirm ESPAD compliant bolts release and no jamming has occurred	
		2. Manipulate/rotate EUTAS by hand to push over trunnion	EUTAS has 3 shear pins that engage with mating holes in the tip of the trunnion. EUTAS is mounted on a compliant mount which allows for 5 degrees of rotational freedom as well as 6 degrees of coning angle provided by the EUTAS gimbal mount
		3. Allow 5-10 minute thermal equalization	ESPAD may require thermal dwell time
		4. Retrieve PRDs (2) and strap down ESPAD to engage EUTAS: Stbd: PRD strap from A/L HR 0501 to ESPAD HR 8033 nadir under ESPAD HR 8031 through the opening in ESPAD then back to A/L HR 0502, hook the ends of the PRD together Port: PRD box hook to A/L HR 0531 then strap nadir over front of ESPAD in between 8036 and port EUTAS then nadir to hook (strap end) on A/L HR 0530	
	E. Unable to deploy strut	1. Verify both wire ties are released	Wire ties installed at CEIT
		2. Release hinge bolt: PGT[B7, CCW2, 30.5] Expect 14 ft-lb and 21 turns	
	F. Unable to engage EUTAS locking bolt	1. Install wire ties: ESPAD HR 8036 (port) or 8035 (stbd) attach 2 wire ties together then attach to lock nut	
	F. Unable to mate strut to A/L	Adjust strut length: Open MLI Disengage two slide locks at end of adjustment handle Rotate CW to extend, CCW to retract Engage locks and replace MLI	
	G. Unable to open V-guides	Loosen tie down pin: PGT[B7, CCW2, 30.5] Expect 22 turns. After installation of ESP2, V-guide will be attached in reverse order: PGT[B7, CW2, 30.5] 22 turns	

LF1 EVA FAILURE WORKAROUND CRIBSHEET (Cont)

Procedure	Failure	Work-Around Steps	Comments
IV. ESP2 DEPLOY	A. ESP2 PRLAs will not release	Perform contingency override on PRLA. Refer to generic PRLA release procedure	
	B. ESP2 will not release from KYA	1. Close PRLAs (IV) then EVA perform: Release Lock Bolt, PGT[B5(21 ft-lb), CCW1, 30.5] 8 turns Turn shaft bolt from ENGAGE to DISENGAGE: PGT[B7(25 ft-lb), CCW1, 30.5] ¼ turn Lock down Lock Bolt, PGT[B5(21 ft-lb), CW2, 30.5] 8 turns Open PRLAs	
		2. Close PRLAs (IV) then EVA perform: Release Fork Bearing Release PGT[B2(13.5 ft-lb), CCW2, 30.5] 9.5 turns Open PRLAs, fwd aft sequence, release ESP2 (SSRMS) Release fork bearing protection cover from KYA and secure fork bearing on shaft	
V. ESP2 BERTHING	A. Unable to achieve capture envelope	1. Back off and reattempt	
		2. TBD other method	
		3. Return ESP2 to PLB. EVA required to verify ESP2 within capture envelope using marks on the keel yoke assembly	
	B. ESPAD claw fails to close	1. If possible, close V guide latches	
		2. GCA SSRMS to full capture	
		3. Retrieve PRD: PRD box hook to A/L HR 0502 over capture bar to port A/L 0534 (inside diagonal HR on ESPAD 8031 and 8000)	
	C. Unable to close V-guide latch	1. Nadir: PRD from ESPAD HR 8029 to ESPAD HR 8030 Stbd: around the pin near ESPD HR 8033, box aft of ESPAD on back face, hooks together Port: around the pin under ESPAD HR 8032, box aft of ESPAD on aft face, hooks together	
D. Unable to close V-guide locks	1. If J-slot lock fails to engage, torque down report to MCC		
D. ESPAD claw fails to open	1. Increase torque setting to PGT[B7(25.5), CCW2, 30.5]	Bar may or may not come free	
	2. Tether to and loosen capture bar, 10 to 12 turns on each passive ESPAD capture bar contingency release bolt (2)		

LF1 EVA FAILURE WORKAROUND CRIBSHEET (Cont)

Procedure	Failure	Work-Around Steps	Comments
VI. ESP2 CABLES	A. Unable to reach ESP2 with primary cable	1. Reroute as required	
		2. Only secondary cable is required-no action necessary	
VII. MISSE	A. Unable to release PEC from MISSE clamp	1. Remove clamp from HR, report to MCC	
VIII.VSSA Node Light Stanchion Release	A. Unable to release Node light stanchion	Contact MCC. Light will not be temporarily removed	
IX. CMG Removal from Z1	A. Unable to release fixed shim bolt	1. Increase PGT torque setting to PGT[A7(9.2 ft-lb), CCW1, 30.5]	Bolt may shear, causing loose hardware
		2. Increase PGT torque setting to PGT[B7(25.5 ft-lb), CCW1, 30.5]	
	B. Unable to remove fixed shim	1. Remove other shims first, reattempt	
		2. Tether shim, continue with nominal plan, remove shim after CMG is removed	
		3. Use bolt puller to pry shim out	
	C. Unable to release CMG bolt	1. Re-tighten all bolts and attempt stuck bolt first, continue nominal plan if successful	Insert in Z1 stanchion may torque out. This will cause an interference with the FSE installation
		2. Set PGT to manual ratchet, contact MCC	
		3. Use ratchet wrench with cheater bar	
	D. Unable to remove CMG	1. Verify all bolts, connectors released	
		2. Use bolt puller and pry CMG out, contact MCC	
X. CMG REMOVAL FROM FSE	A. Unable to release fixed shim bolt	1. Increase PGT torque setting to PGT[A7(9.2 ft-lb), CCW1, 30.5]	Bolt may shear, causing loose hardware
		2. Increase PGT torque setting to PGT[B7(25.5 ft-lb), CCW1, 30.5]	
	B. Unable to remove fixed shim	1. Remove other shims first, reattempt	
		2. Tether shim, continue with nominal plan, remove shim after CMG is removed	
	C. Unable to release CMG bolt	1. Re-tighten all bolts and attempt stuck bolt first, continue nominal plan if successful	
		2. Set PGT to manual ratchet, contact MCC	
	D. Unable to remove CMG	1. Verify all bolts released, MLI clear	
		2. Use bolt puller and pry out CMG, contact MCC	

LF1 EVA FAILURE WORKAROUND CRIBSHEET (Cont)

Procedure	Failure	Work-Around Steps	Comments
XI. CMG INSTALL AT THE FSE	A. Unable to drive CMG bolt	1. If 5 of 6 bolts complete, notify MCC and continue	
		2. Verify alignment, release other bolts, reattempt bolt first	
		3. Remove CMG and verify no obstruction, reinstall	
		4. Contact MCC	
	B. Unable to drive adjustable shim bolt	1. Increase torque setting to PGT[B7 (25.5 ft-lb), CCW1, 30.5] ½ turn only, return to nominal setting	
		2. Contact MCC, TBD temp stow	
C. Unable to release ball stack from LMC	1. PGT[TBD] remove contingency bolts (4) from LMC	ECOM will release from LMC	
XII. CMG INSTALL AT Z1	A. Unable to drive CMG bolt	1. If 4 of 6 bolts complete, notify MCC and continue	
		2. Verify alignment, release other bolts, reattempt bolt first	
		3. Remove CMG and verify no obstruction, reinstall	
		4. Contact MCC	
XIII. Z1 THERMAL SHROUD INSTALL	A. Unable to reattach shroud	1. Notify MCC of condition and continue	
XVIII. ESP2 FRGF REMOVE	A. Unable to release bolt	1. Ratchet collar to RCCW, apply manual torque	
		2. Retrieve cheater bar and ratchet from Z1 ETSD, manually break torque	

RELEASE ROEU LATCHES

	IV	EV
R13L A6U	1. √MPLM ROEU DEACT complete (TBD book) 2. <u>ROEU SAFING</u> √PL BAY MECH PWR SYS 1,2 (two) – OFF √RETEN LOGIC PWR SYS 1,SYS 2 (two) – OFF PL SEL – 3 √LAT 1,2,3 (three) – OFF √1 tb – REL (LAT) √2 tb – bp Give EV GO to release ROEU	Tools reqd: Ratchet with 3-in Ext (Airlock) <div style="border: 3px double black; padding: 5px; text-align: center;"> <p>WARNING</p> <p>For release, do not close access cover until ROEU stowed. Latches may not snap back to closed posn</p> </div>
A6U	3. <u>VERIFY TALKBACKS</u> √PL RETEN LAT 1 tb – REL √2 tb – bp √3 tb – REL	1. On IV GO, open latch drive access cover: Break safety cord, release access cover (3/4 turn ccw) Open access cover (~120°) Manual drive to RELEASE: Rotate control lever to RELEASE Rotate latch drive cw (~9 ft-lb) to hard stop (~3/4 turn) Remove drive ratchet, clear worksite
R13L A6U	4. <u>DEMATE ROEU</u> PL BAY MECH PWR SYS 1,2 (two) – ON RETEN LOGIC PWR SYS 1,SYS 2 (two) – ON LAT 2 – REL (tb-REL, 36 sec max) – OFF RETEN LOGIC PWR SYS 1, SYS 2 (two) – OFF BAY MECH PWR SYS 1,2 (two) – OFF	<div style="border: 3px double black; padding: 5px; text-align: center;"> <p>WARNING</p> <p>For release, remain clear of latches during access cover closing. Latches may snap back to closed posn</p> </div>
R13L		2. Reengage latch actuator: Rotate control lever to neutral posn Close, secure access cover (3/4 turn cw) Clear worksite

LATCH ROEU LATCHES

	IV	EV
R13L A6U	1. √MPLM ROEU DEACT complete (TBD book) 2. <u>MATE ROEU</u> √PL BAY MECH PWR SYS 1,2 (two) – OFF RETEN LOGIC PWR SYS 1, SYS 2 (two) – ON PL SEL – 2 LAT 2 – LAT (tb-LAT, 60 sec max) LAT 2 – OFF	Tools reqd: Ratchet with 3-in Ext (Airlock)
R13L A6U	3. <u>ROEU SAFING</u> PL BAY MECH PWR SYS 1,2 (two) – OFF RETEN LOGIC PWR SYS 1, SYS 2 (two) – OFF √LAT 1,2,3 (three) – OFF √1 tb – bp √2 tb – LAT Give EV GO to release ROEU	
A6U	4. <u>VERIFY TALKBACKS</u> √PL RETEN LAT 1 tb – bp √2 tb – LAT √3 tb – LAT √RDY 3 tb – gray	1. On IV GO, open latch drive access cover: Break safety cord, release access cover (3/4 turn ccw) Open access cover (~120°) Manual drive to LATCH: Rotate control lever to LATCH Rotate latch drive ccw (~9 ft-lb) to hard stop (~3/4 turn) Remove drive ratchet, clear worksite
R13L A6U	5. <u>RELAX ROEU</u> PL BAY MECH PWR SYS 1,2 (two) – ON RETEN LOGIC PWR SYS 1, SYS 2 (two) – ON LAT 1 – REL (tb-REL, 24 sec max) – OFF √2 tb – bp LOGIC PWR SYS 1,2 (two) – OFF	
R13L	BAY MECH PWR SYS 1,2 (two) – OFF	2. Reengage latch actuator: Rotate control lever to neutral posn Close, secure access cover (3/4 turn cw) Clear worksite

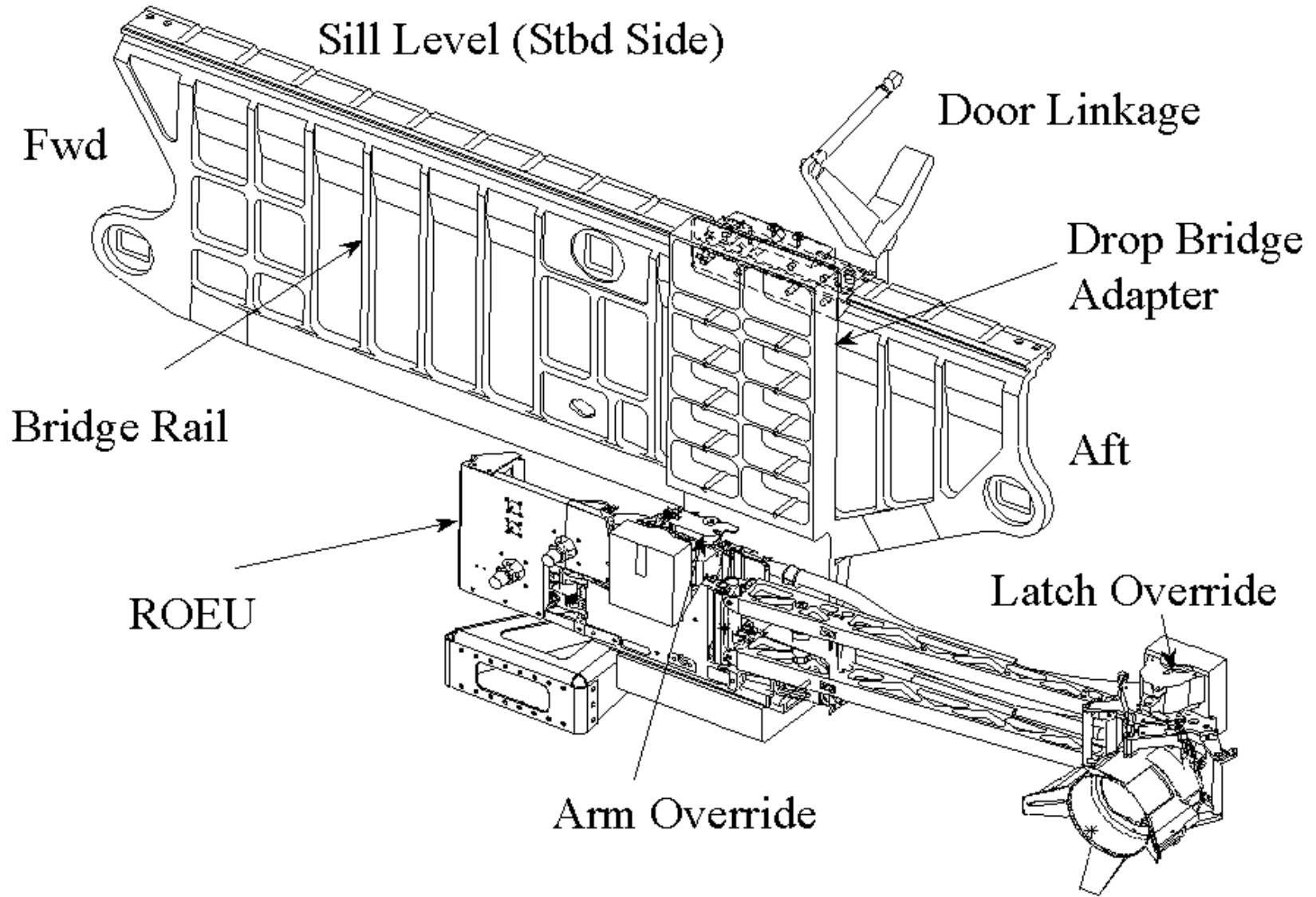
STOW ROEU ARM

	IV	EV
<p>R13L A6U</p> <p>1. √MPLM ROEU DEACT complete (TBD book)</p> <p>2. <u>RELEASE ROEU LATCHES</u> √PL BAY MECH PWR SYS 1,2 (two) – ON RETEN LOGIC PWR SYS 1, SYS 2 (two) – ON PL SEL – 2 LAT 3 – REL (tb-REL, 40 sec max) – OFF</p> <p>R13L A6U</p> <p>3. <u>ROEU SAFING</u> PL BAY MECH PWR SYS 1,2 (two) – OFF RETEN LOGIC PWR SYS 1, SYS 2 (two) – OFF √LAT 1,2,3 (three) – OFF √1 tb – REL √2 tb – bp √3 tb – REL</p> <p>Give EV GO to stow ROEU</p>		<p>Tools reqd: Ratchet with 3-in Ext (Airlock)</p>
<p>A6U</p> <p>4. <u>VERIFY TALKBACKS</u> √PL RETEN LAT 1 tb – REL √2 tb – bp √3 tb – REL</p>		<p>1. On IV GO, open latch drive access cover: Break safety cord, release access cover (3/4 turn ccw) Open access cover (~120°) Manual drive to STOW: Rotate control lever to STOW Rotate arm drive ccw (~23 ft-lb) to hard stop and pull arm inboard to verify Remove drive ratchet</p> <p>2. Reengage arm actuator: Rotate control lever to neutral posn Close, secure access cover (3/4 turn cw) Clear worksite</p>

MATE ROEU ARM

	IV	EV
<p>R13L A6U</p> <ol style="list-style-type: none"> MPLM ROEU DEACT complete (TBD book) <u>ROEU SAFING</u> <ul style="list-style-type: none"> √PL BAY MECH PWR SYS 1,2 (two) – OFF √RETEN LOGIC PWR SYS 1,SYS 2 (two) – OFF PL SEL – 2 √LAT 1,2,3 (three) – OFF <ul style="list-style-type: none"> √1 tb – REL √2 tb – REL (bp) √3 tb – REL <p>Give EV GO to mate ROEU</p>	<p>Tools reqd: Ratchet with 3-in Ext (Airlock)</p> <ol style="list-style-type: none"> On IV GO, open arm drive access cover: <ul style="list-style-type: none"> Break safety cord, release access cover (3/4 turn ccw) Open access cover (~120°) <p>Manual drive to MATE:</p> <ul style="list-style-type: none"> Rotate control lever to MATE Ratchet arm drive cw (~25 ft-lb) until "READY TO LATCH" posn indicated on interface guide <p>Remove drive ratchet Clear worksite (for latching)</p>	
<p>A6U</p> <ol style="list-style-type: none"> <u>VERIFY TALKBACKS</u> <ul style="list-style-type: none"> √PL RETEN LAT 1 tb – bp <ul style="list-style-type: none"> √2 tb – LAT √3 tb – REL 		
<p>R13L A6U</p> <ol style="list-style-type: none"> <u>LATCH ROEU LATCHES</u> <ul style="list-style-type: none"> PL BAY MECH PWR SYS 1,2 (two) – ON RETEN LOGIC PWR SYS 1,SYS 2 (two) – ON LAT 3 – LAT (tb-LAT, 40 sec max) – OFF √RDY 3 tb – gray LOGIC PWR SYS 1,SYS 2 (two) – OFF 		
<p>R13L</p> <ol style="list-style-type: none"> <u>RELAX ROEU (EVA)</u> <ul style="list-style-type: none"> Monitor PL RETEN LAT 1 tb Give EV GO to STOW arm, halt once LAT 1 tb – REL 	<ol style="list-style-type: none"> <u>RELAX ROEU (EVA)</u> <ul style="list-style-type: none"> On IV GO, Rotate control lever to STOW: <ul style="list-style-type: none"> Ratchet arm drive ccw until IV receives LAT 1 tb – REL. Remove drive ratchet Reengage arm actuator: <ul style="list-style-type: none"> Rotate control lever to neutral posn Close, secure access cover (3/4 turn cw) <p>Clear worksite</p>	

ROEU OVERVIEW



MANUALLY OPEN/CLOSE CBM PETAL (00:30)

TIME (HR:MN)	IV/RMS	EV1	EV2
<p>00:00</p> <p>00:20</p> <p>00:00</p> <p>00:10</p>	<div style="border: 1px solid black; padding: 5px; margin-bottom: 10px;"> <p style="text-align: center;">CAUTION</p> <p>During any CBM operation, avoid contact with sealing surface</p> </div> <p>Tools reqd: PGT (or EVA ratchet) w/6-in ext</p> <p style="text-align: center;">NOTE</p> <p>For stbd, nadir, or zenith CBM, EV1 will operate from RMS: CBM ACCESS (PDRS OPS, <u>CONTINGENCY EVA</u>).</p> <p>For port CBM, EV1 will operate from APFR, using following settings: For fwd half of CBM use WIF: NOD1/03-05, C=11:00, P=RR, R=G, Y=12:00 For aft half of CBM use WIF: NOD1/03-03, C=11:00, P=QQ, R=G, Y=1:00</p>	<p>PETAL OPEN</p> <ol style="list-style-type: none"> 1. Configure/set up APFR, TS, tools as reqd; transfer to worksite 2. √Launch restraints (two) for failed petal locked (button pushed in) 3. Disengage petal mechanism from capture latch: Turn innermost bolt (one going thru petal) w/PGT ccw until capture latch disengaged (~6-8 turns) Turn innermost bolt cw to retighten 4. While holding petal, release launch restraint 5. Slowly, allow petal to open 6. Clean up worksite <p>PETAL CLOSE</p> <ol style="list-style-type: none"> 7. Close petal, hold 8. Reengage launch restraint (push in button) 	<p>PETAL OPEN</p> <ol style="list-style-type: none"> 1. Configure/set up APFR, TS, tools as reqd; transfer to worksite 2. √Launch restraints (two) for failed petal locked (button pushed in) 3. Assist EV1 as reqd 4. While holding petal, release 2nd launch restraint 5. Slowly, allow petal to open 6. Clean up worksite <p>PETAL CLOSE</p> <ol style="list-style-type: none"> 7. Close petal, hold 8. Reengage 2nd launch restraint (push in button)

REMOVE/REPLACE CBM CONTROLLER ASSEMBLY (02:00)

TIME (HR:MN)	IV/RMS	EV1	EV2
00:00	<div data-bbox="285 358 667 443" style="border: 1px solid black; padding: 5px; margin-bottom: 10px;"> <p align="center">CAUTION</p> <p>During any CBM operation, avoid contact with sealing surface</p> </div> <p>Tools reqd: Airlock: PGT RAD 6-in ext 5/32-in Allen Driver Seat Track Tether Points (2) Connector Tool TSA: EVA Ratchet</p> <p align="center">NOTE</p> <p>For stbd, nadir, or zenith CBM, EV1 will operate from the RMS: CBM ACCESS (PDRS OPS, <u>CONTINGENCY EVA</u>).</p> <p>For Lab stbd, zenith, nadir CBM, EV1 will operate from RMS. LAB FWD CBM ACCESS (PDRS OPS, <u>EVA CONTINGENCY</u>).</p> <p>For port CBM, EV1 will operate from APFR, using following settings: For fwd half of CBM use WIF: NOD1/03-05, C=11:00, P=RR, R=G, Y=12:00 For aft half of CBM use WIF: NOD1/03-03, C=11:00, P=QQ, R=G, Y=1:00.</p> <p>For Lab, port CBM, EV1 will operate from APFR using following settings: WIF: LAB-13, C=2, P=XX, R=F, Y=12</p>	<p align="center"><u>CONTROLLER REMOVAL</u></p> <p>1. Configure/set up APFR, TS, tools as reqd; transfer to worksite</p>	<p align="center"><u>CONTROLLER REMOVAL</u></p> <p>1. Configure/set up APFR, TS, tools as reqd; transfer to worksite</p>

REMOVE/REPLACE CBM CONTROLLER ASSEMBLY (02:00) (Cont)

TIME (HR:MN)	IV/RMS	EV1	EV2
01:00 00:00		<ol style="list-style-type: none"> 2. Remove MMOD center cover as reqd: REMOVE/REPLACE MMOD CENTER COVER (EVA, ISS EVA CONTINGENCIES), COVER REMOVAL, steps 1-6 3. Attach tether point to seat track on failed controller 4. Disconnect cable connectors J1-J9 on controller (use connector tool as reqd) 5. Disconnect grounding straps (two) from controller with EVA ratchet, 5/32-in Allen Driver 6. Tether to tether point on controller 7. Release fasteners (five) on controller assembly with PGT, 5/32-in Allen Driver (15 ft-lb, 7-8 turns ccw; PGT: A5,CCW2,15.5); detach from bulkhead 8. Stow controller <p>CONTROLLER REPLACE</p> <ol style="list-style-type: none"> 9. Install new controller; tighten fasteners (five) on controller assembly with PGT, 5/32-in Allen Driver (10 ft-lb, 7-8 turns cw, PGT: A5,CW2,10.5) 	<ol style="list-style-type: none"> 2. Assist EV1 as reqd <p>CONTROLLER REPLACE</p> <ol style="list-style-type: none"> 3. Assist EV1 as reqd
01:00		<ol style="list-style-type: none"> 10. Remove tether point 11. Connect grounding straps (two) to controller assembly with EVA ratchet, 5/32-in Allen Driver 12. Mate cable connectors J1-J9 to controller (use connector tool as reqd) 13. Reinstall MMOD center cover as reqd: REMOVE/REPLACE MMOD CENTER COVER (EVA, ISS EVA CONTINGENCIES), COVER REINSTALL, steps 1-7 	<ol style="list-style-type: none"> 4. Clean up worksite
		<ol style="list-style-type: none"> 14. Clean up worksite 	

REMOVE/REPLACE MMOD CENTER COVER (00:30)

TIME (HR:MN)	IV/RMS	EV1	EV2
00:00	<div style="border: 1px solid black; padding: 5px; margin-bottom: 10px; text-align: center;"> <p>CAUTION During any CBM operation, avoid contact with sealing surface</p> </div> <p>Tools reqd: Airlock: Wire-tie caddy Sm-sm retract tethers (2) Adj equip tethers (2) TSA: Large cable cutters Velcro/Tape caddy</p> <p style="text-align: center;"><u>NOTE</u></p> <p>For stbd, nadir, or zenith CBM, EV1 will operate from RMS: <u>CBM ACCESS (PDRS OPS, CONTINGENCY EVA)</u>.</p> <p>For port CBM, EV1 will operate from APFR, using following settings: For fwd half of CBM use WIF: NOD1/03-05, C=11:00, P=RR, R=G, Y=12:00 For aft half of CBM use WIF: NOD1/03-03, C=11:00, P=QQ, R=G, Y=1:00</p>	<p><u>COVER REMOVAL</u></p> <ol style="list-style-type: none"> 1. Configure/set up APFR, TS, tools as reqd; transfer to worksite 2. Attach Adj Eqp Tether to cover near cut point and at an additional location on cover 3. Cut cable at pulley opening: Cut cable next to pulley using large cable cutter 4. Release cover quadrant near affected area: Remove pip pins on pulleys (1 per pulley) Push pulley towards CBM ring, slide pulley toward hatch from slot; repeat for adjacent pulley Cinch tether to pull cover away from mating surface Remove pip pins on each end of standoff bar (2 per standoff) Rotate standoff bar towards hatch center 45 deg, unhook from receptacles Cinch tether to restrain cover for worksite access 	<p><u>COVER REMOVAL</u></p> <ol style="list-style-type: none"> 1. Configure/set up APFR, TS, tools as reqd; transfer to worksite 2. Assist EV1 as reqd

REMOVE/REPLACE MMOD CENTER COVER (00:30) (Cont)

TIME (HR:MN)	IV/RMS	EV1	EV2
<p>00:15 00:00</p> <p>00:30</p>		<p>5. Repeat step 6 as reqd for other CBM quadrants; restrain cover open with sm-sm retract tethers or adj equip tethers</p> <p><u>COVER REINSTALL</u></p> <p>6. Release/stow tethers used to restrain cover</p> <p>7. Reinstall cover quadrant: Reattach standoff bar, rotate outward 45 deg; reinstall pip pins if time permits (2 per standoff) Insert pullies (two) back into slots (two); reinstall pip pins if times permits (1 per pulley)</p> <p>8. Repeat step 3 as reqd for other removed CBM quadrants</p> <p>9. Secure cover using tethers or wire ties as reqd</p> <p>10. Clean up worksite</p>	<p><u>COVER REINSTALL</u></p> <p>3. Assist EV1 as reqd</p> <p>4. Clean up worksite</p>

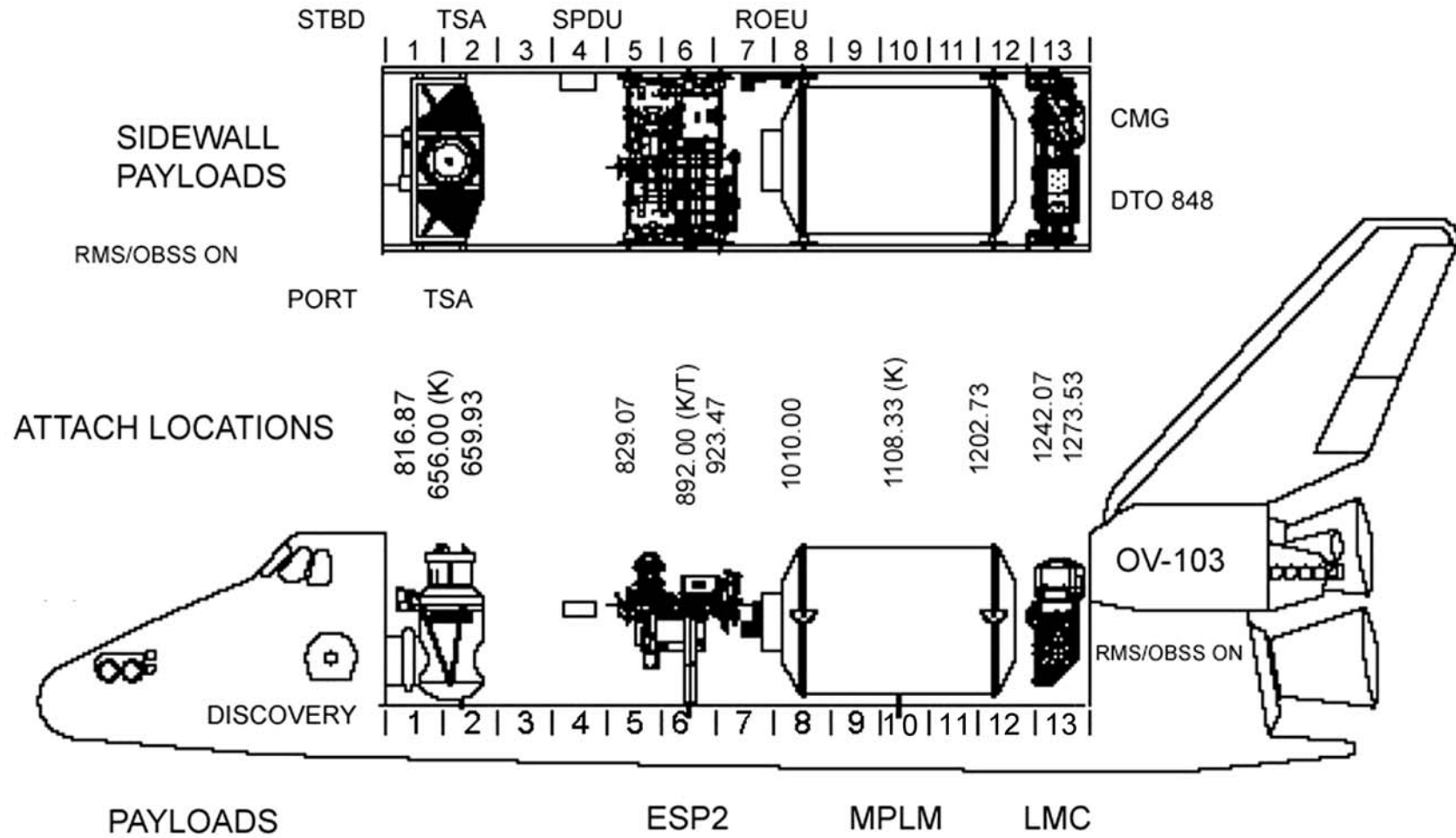
FLIGHT SPECIFIC EVA REFERENCE

STS-114 PAYLOAD BAY LAYOUT	FS 18-3
ESP2 LAUNCH CONFIGURATION (TOP VIEW)	FS 18-4
(BOTTOM VIEW)	FS 18-5
ESPAD COMPONENTS	FS 18-6
ACTIVE ESPAD	FS 18-7
ESPAD LAUNCH BOLTS	FS 18-8
EUTAS COMPLIANT BOLTS	FS 18-9
ESPAD INSTALL	FS 18-10
EUTAS	FS 18-11
ESPAD STRUT	FS 18-12
DEPLOY	FS 18-13
V-GUIDE	FS 18-14
CLOSEUP	FS 18-15
ESP2 INSTALL	FS 18-16
POWER FROM ESP2 TO ORBITER	FS 18-17
ORBITER POWER CABLE STOWED	FS 18-18
ESP2 POWER CABLES	FS 18-19
FLIGHT CABLES	FS 18-20
CABLE TIES	FS 18-21
PRIMARY POWER CABLE ROUTING	FS 18-22
SECONDARY CABLE INSTALL – PANEL A119	FS 18-23
ROUTING	FS 18-24
ACTIVE ESPAD HR LABELS	FS 18-26
PASSIVE ESPAD HR LABELS	FS 18-27
HR AND WIF LAYOUT (ZENITH)	FS 18-28
(NADIR)	FS 18-29
MISSE LOCATIONS	FS 18-30
ESP2 FRGF	FS 18-31
LMC WITH CMG	FS 18-32
CMG NOMENCLATURE	FS 18-33
LOCATION	FS 18-34
AFT Z1 PRE-LAUNCH WITH BLANKET	FS 18-35
CMG ON Z1	FS 18-36
SHIMS AT Z1	FS 18-37
BLANKET CLOSED ON CMG IN FSE	FS 18-38
NEW CMG WITH BLANKET	FS 18-39
CMG IN FSE WITH MLI	FS 18-40
SHIMS ON FSE	FS 18-41
FSE WITHOUT MLI OR CMG	FS 18-42
SWAP IN PLB	FS 18-43

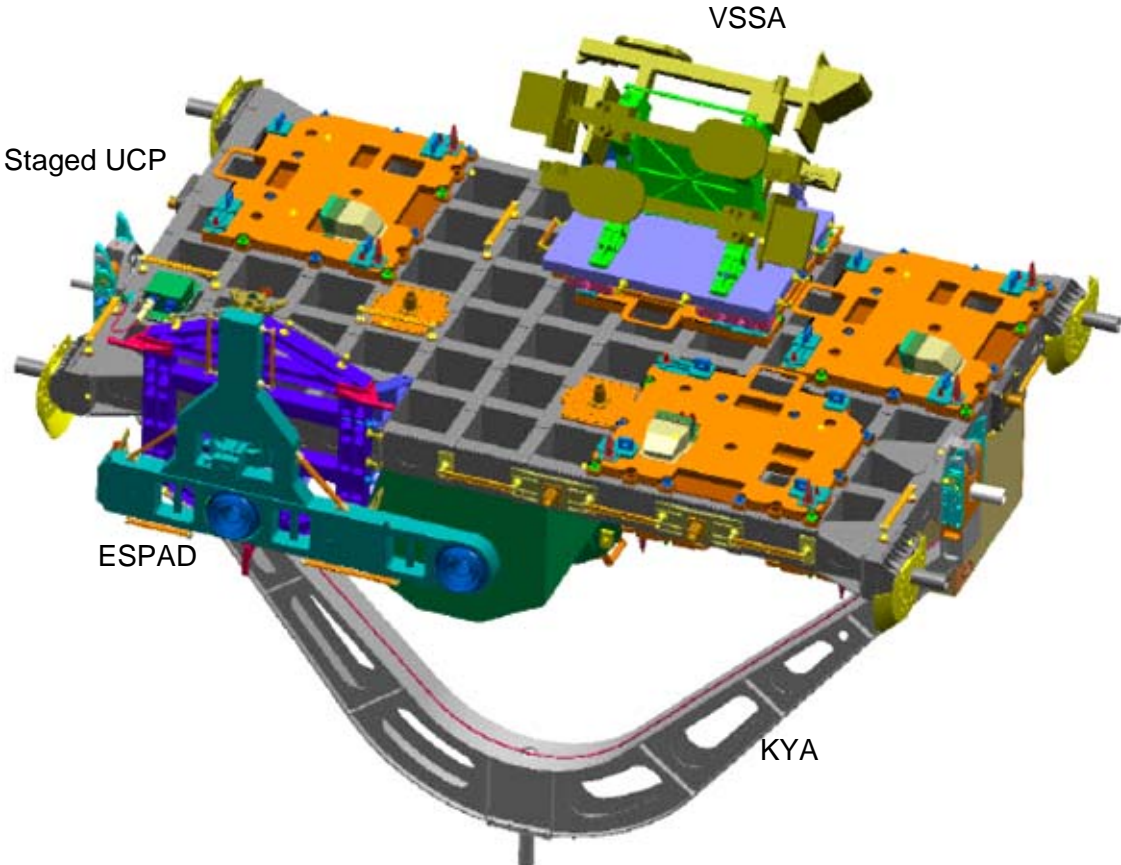
**FLIGHT SPECIFIC
EVA REF**

This Page Intentionally Blank

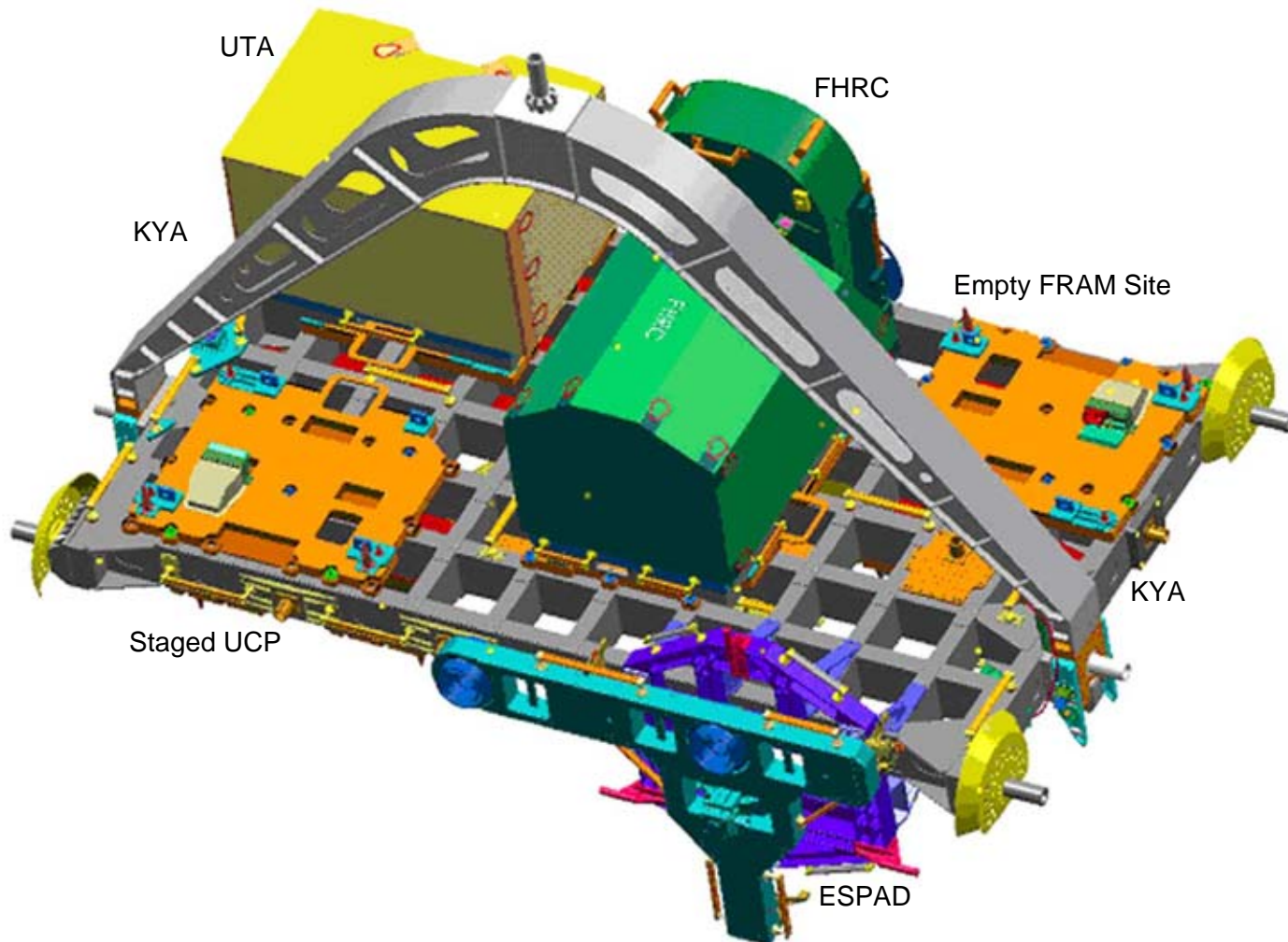
STS-114 PAYLOAD BAY LAYOUT



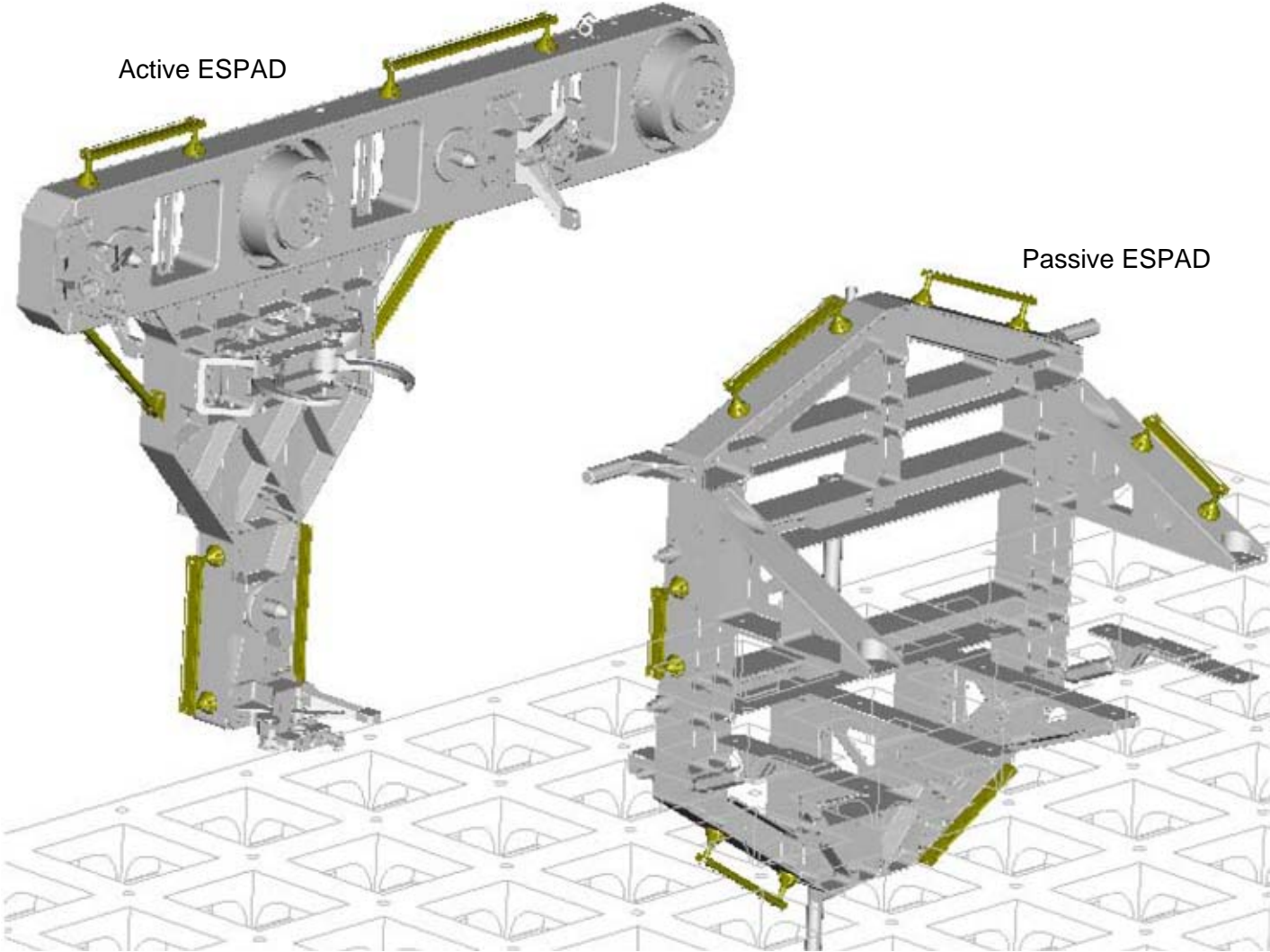
ESP2 LAUNCH CONFIGURATION (TOP VIEW)



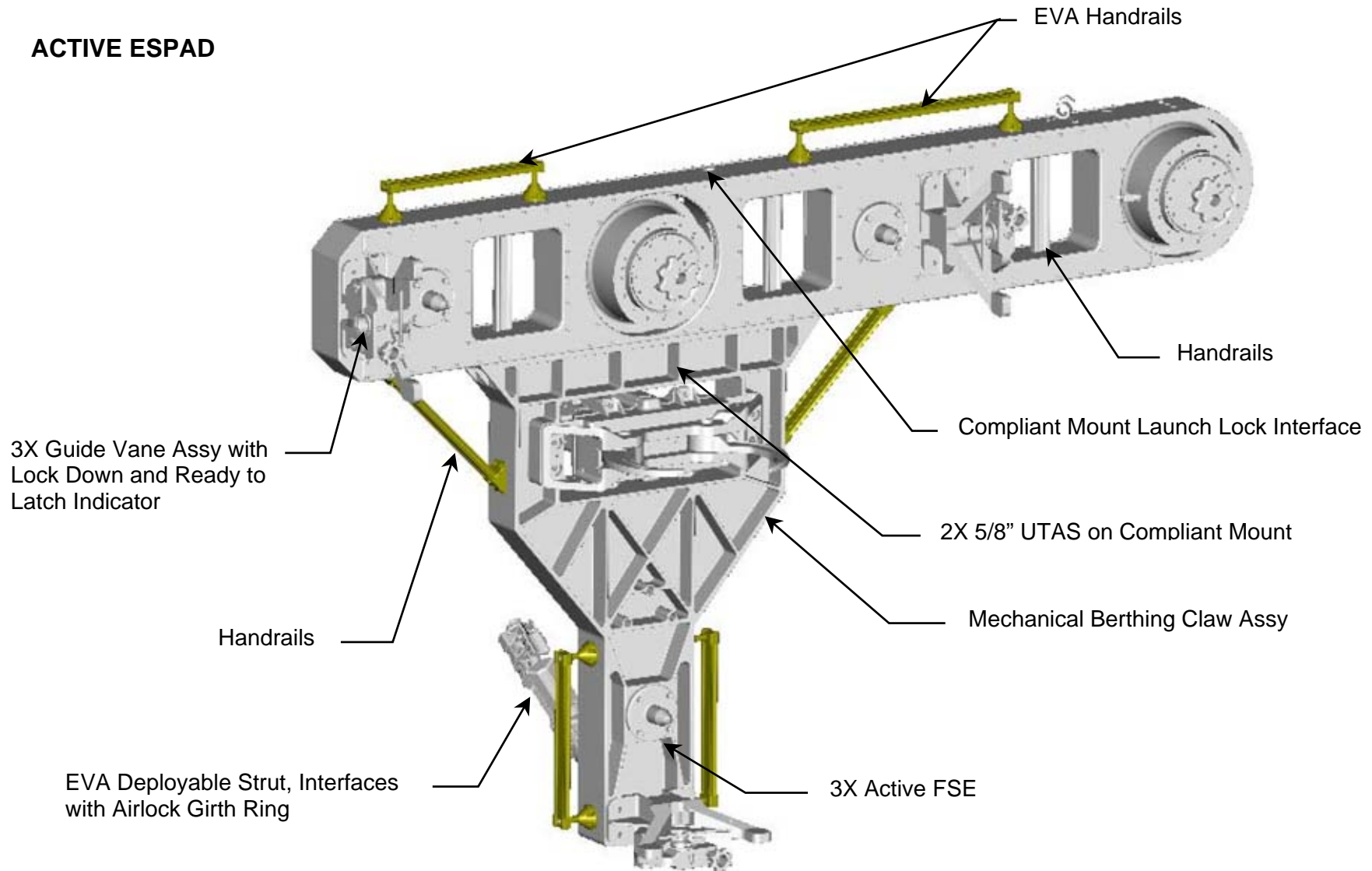
ESP2 LAUNCH CONFIGURATION (BOTTOM VIEW)



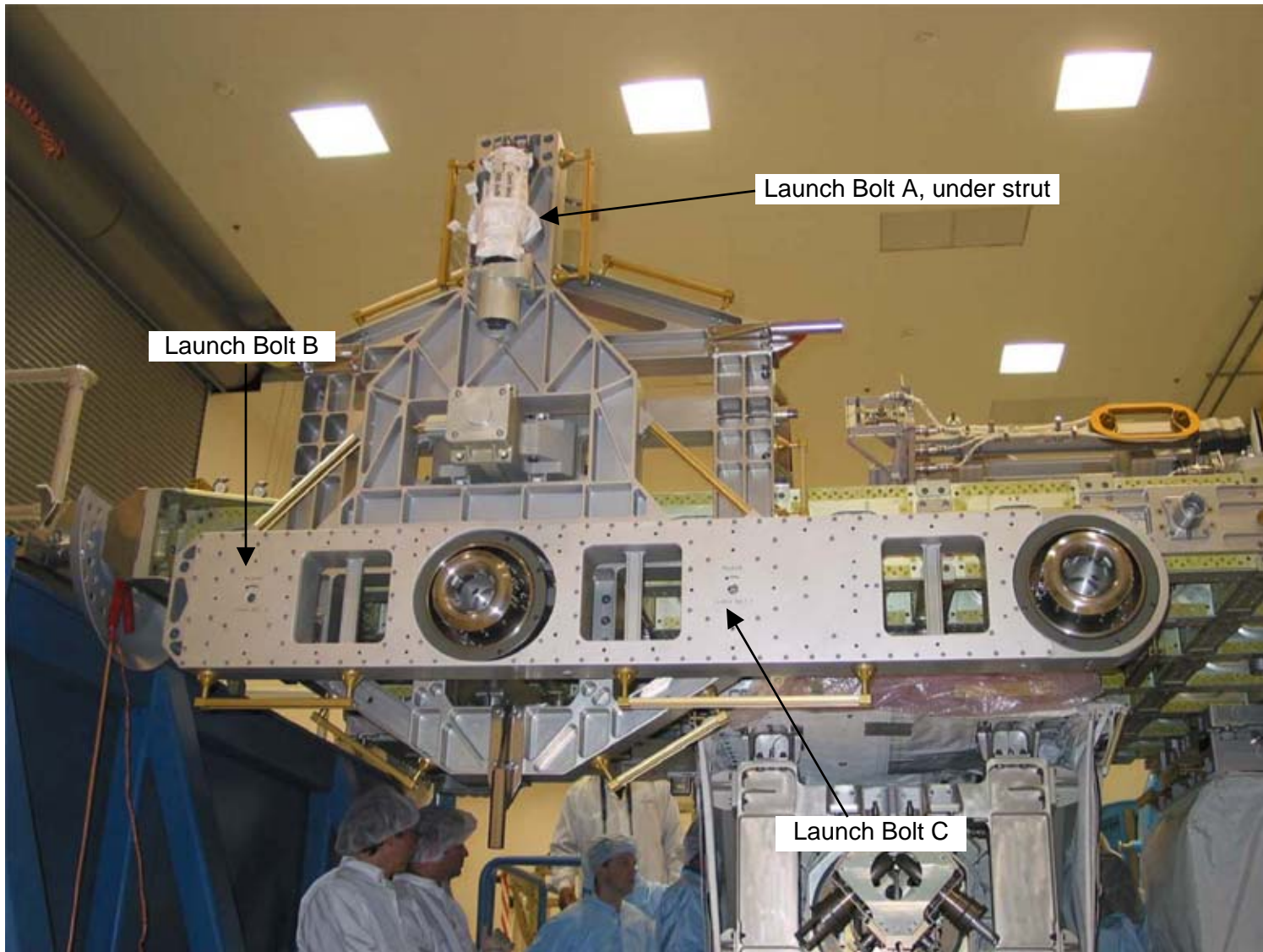
ESPAD COMPONENTS



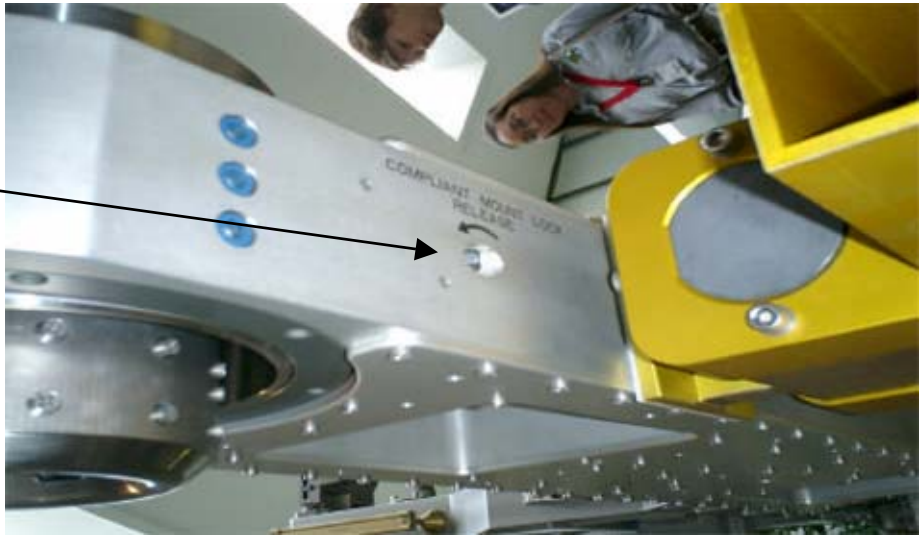
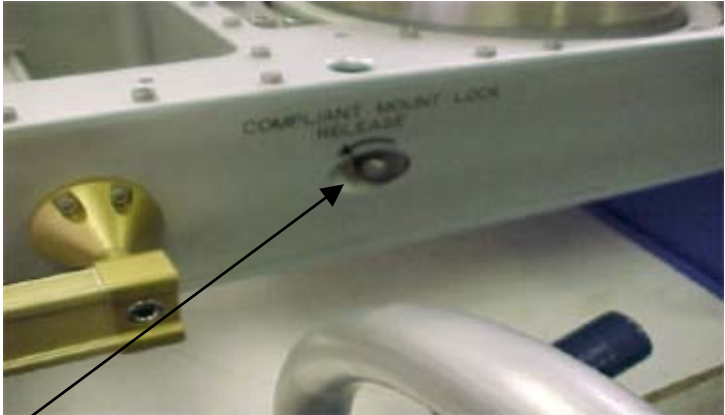
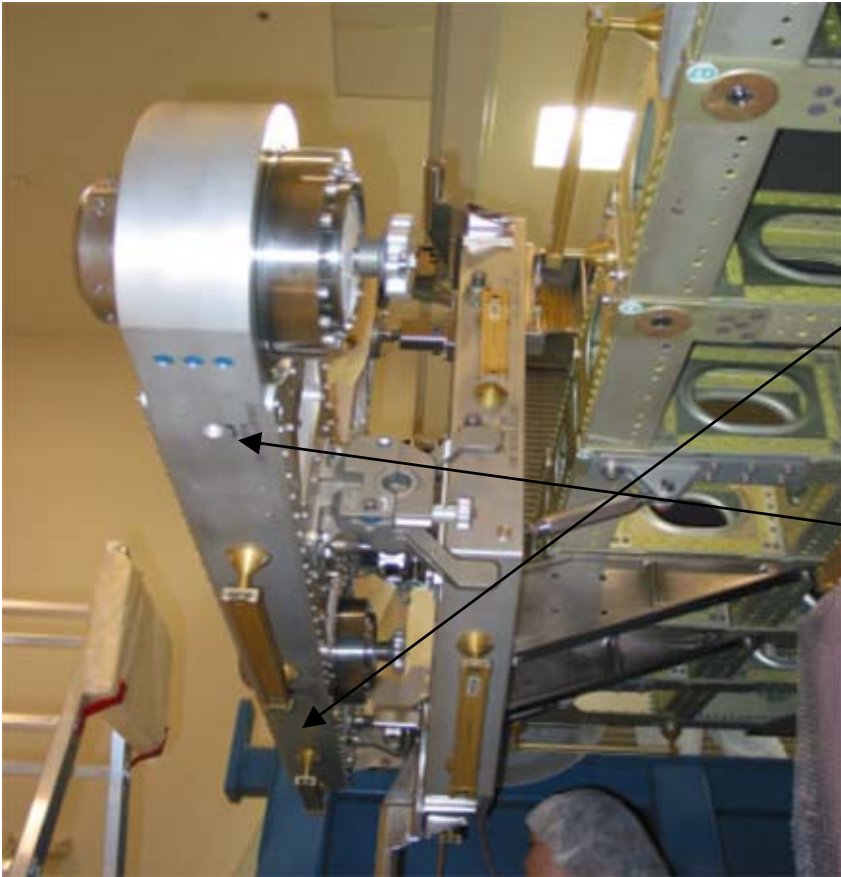
ACTIVE ESPAD



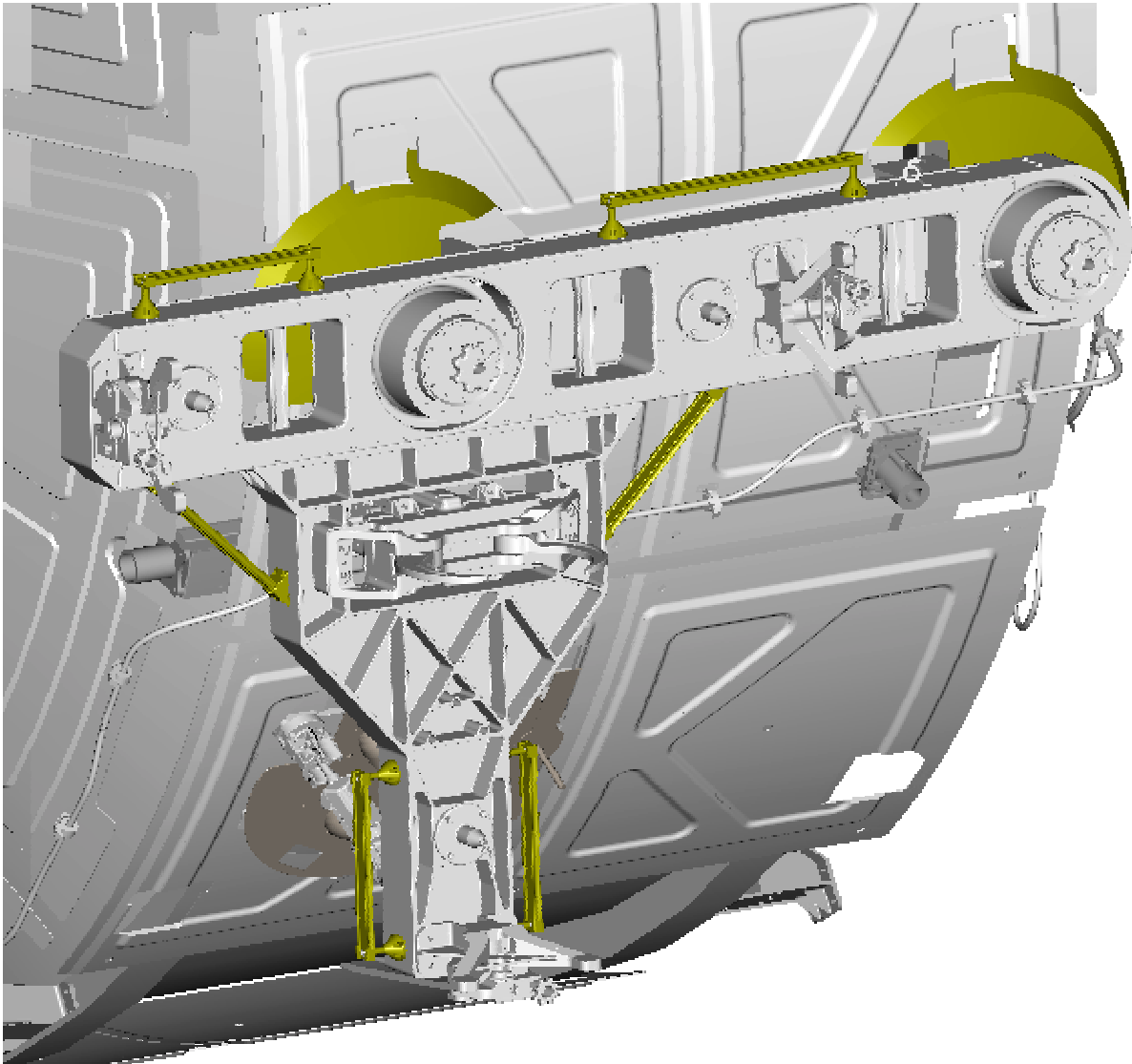
ESPAD LAUNCH BOLTS



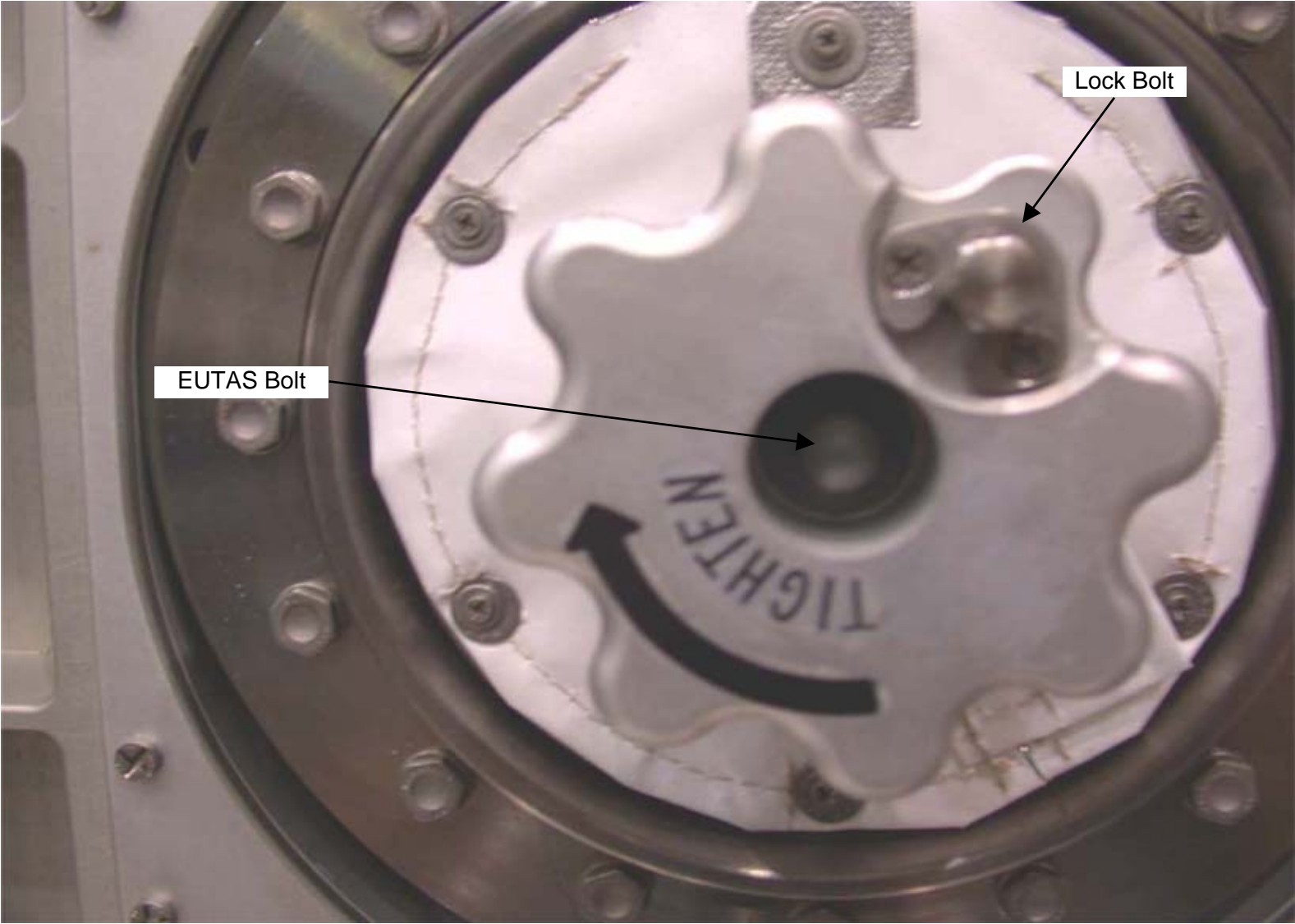
EUTAS COMPLIANT BOLTS



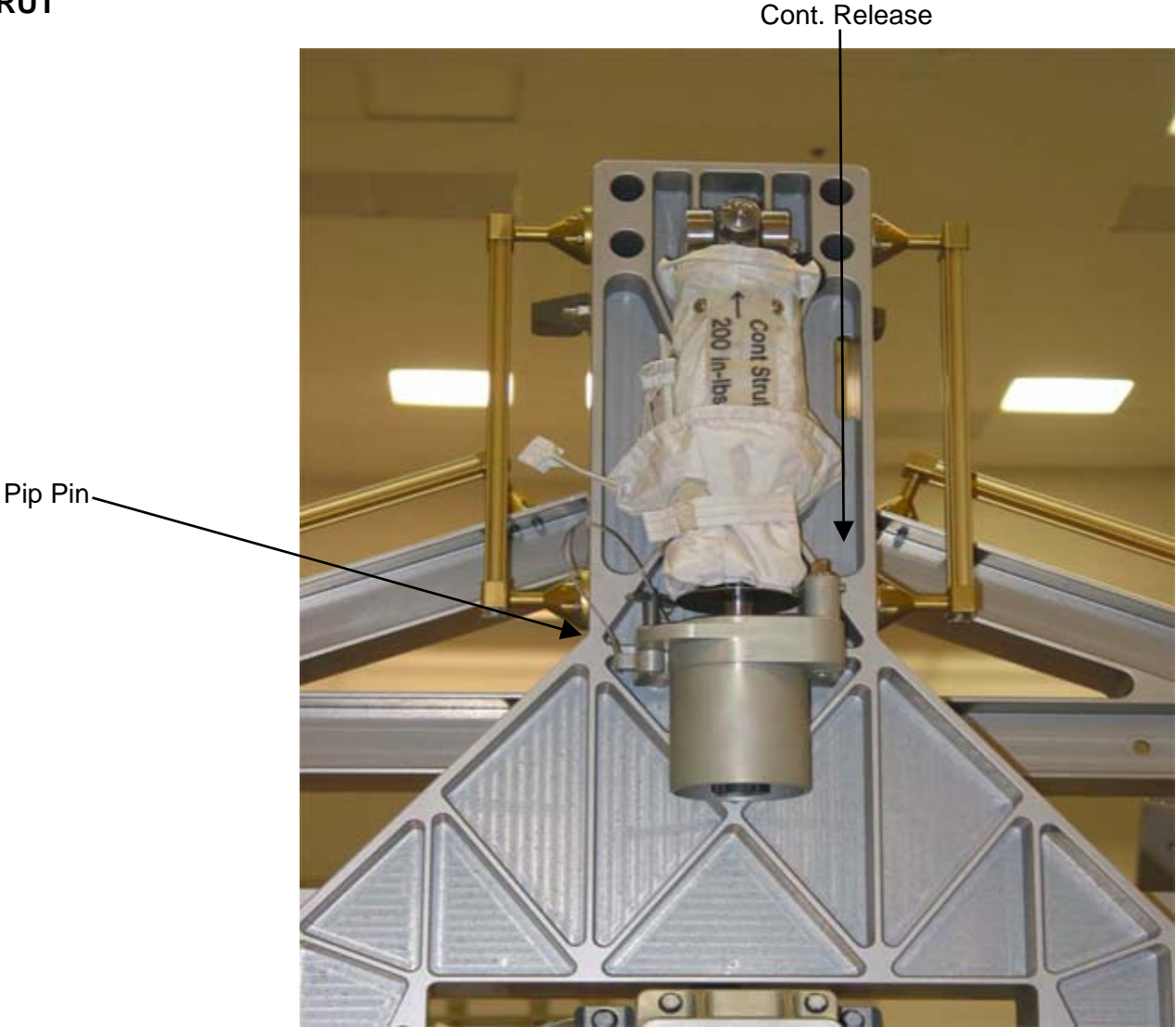
ESPAD INSTALL



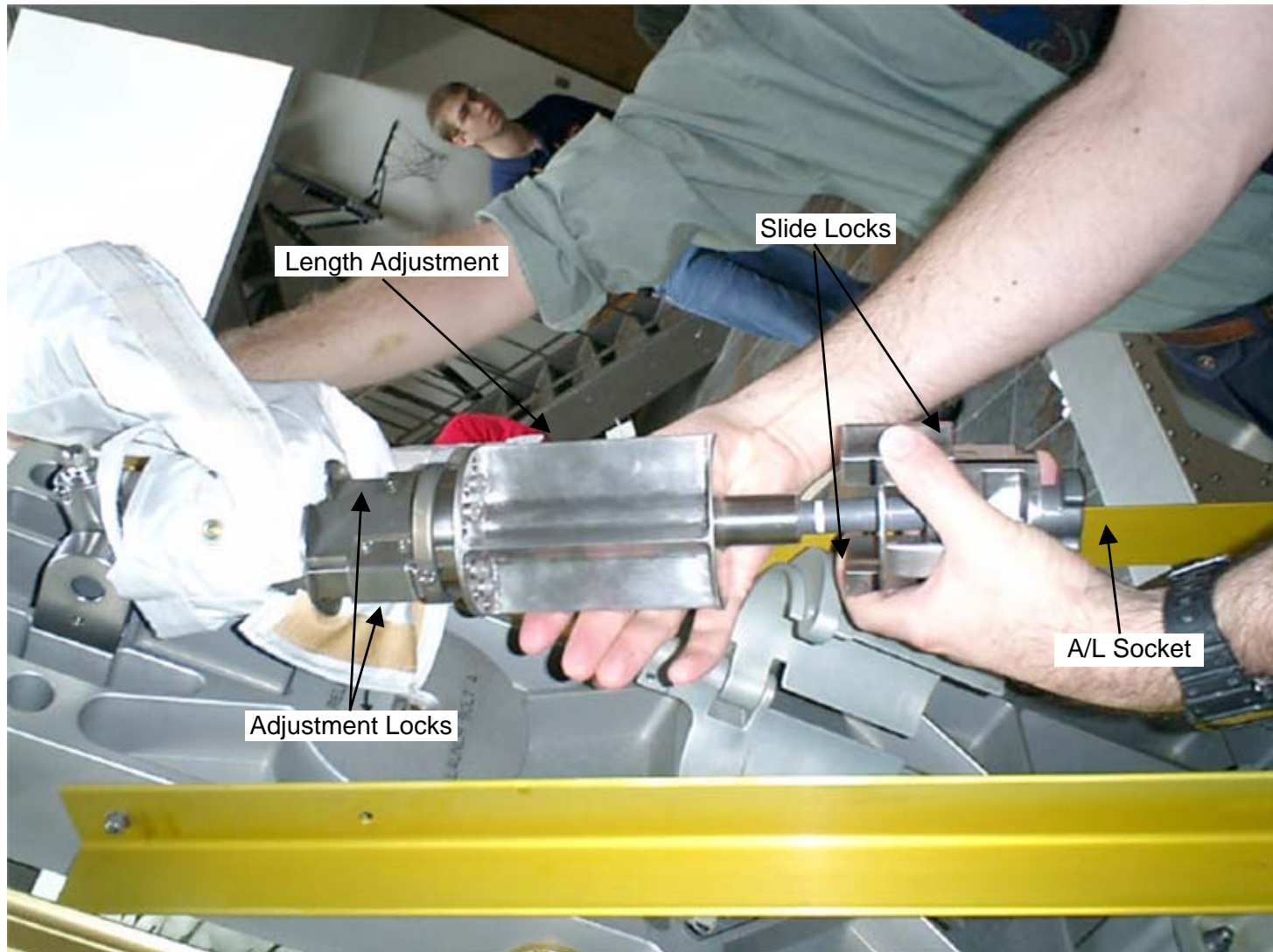
EUTAS



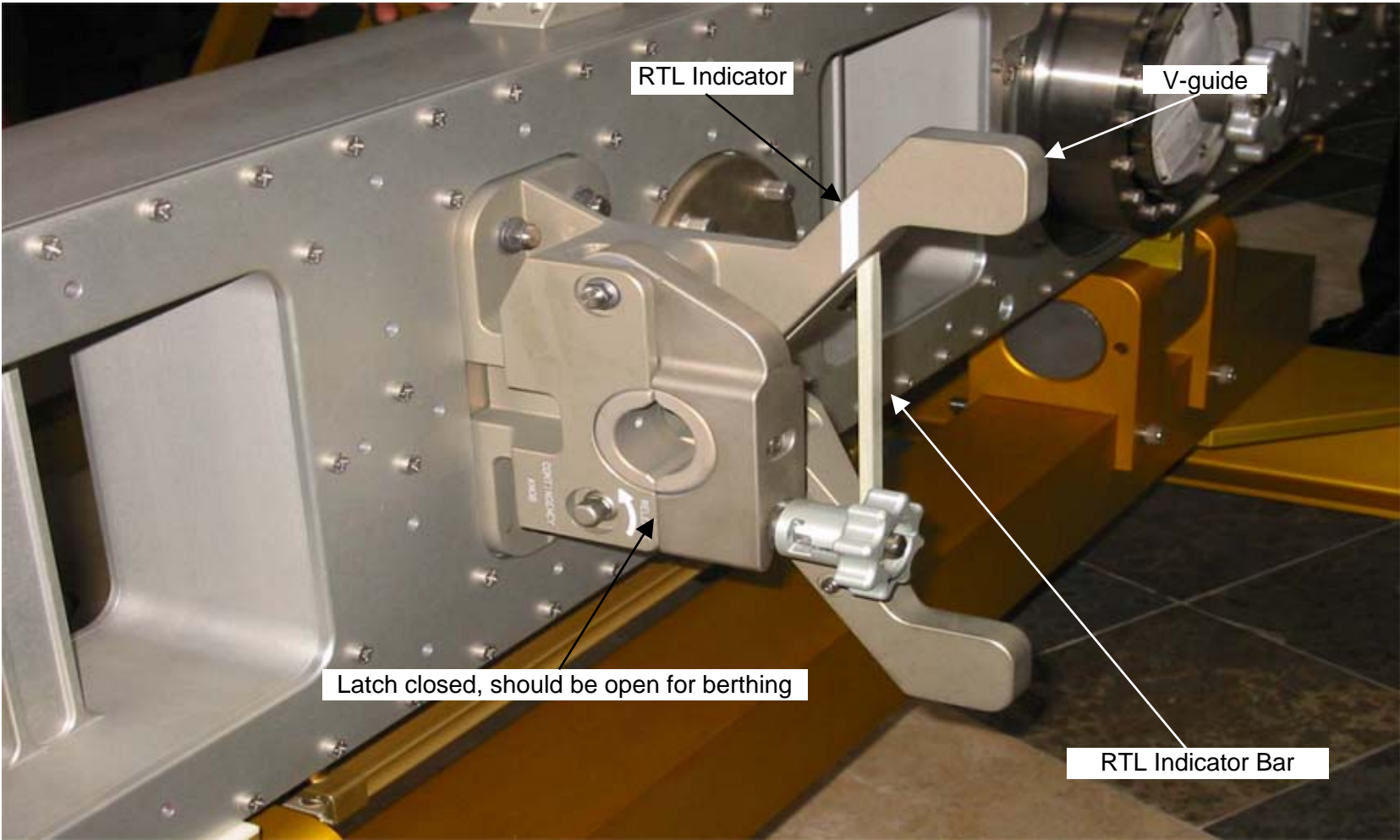
ESPAD STRUT



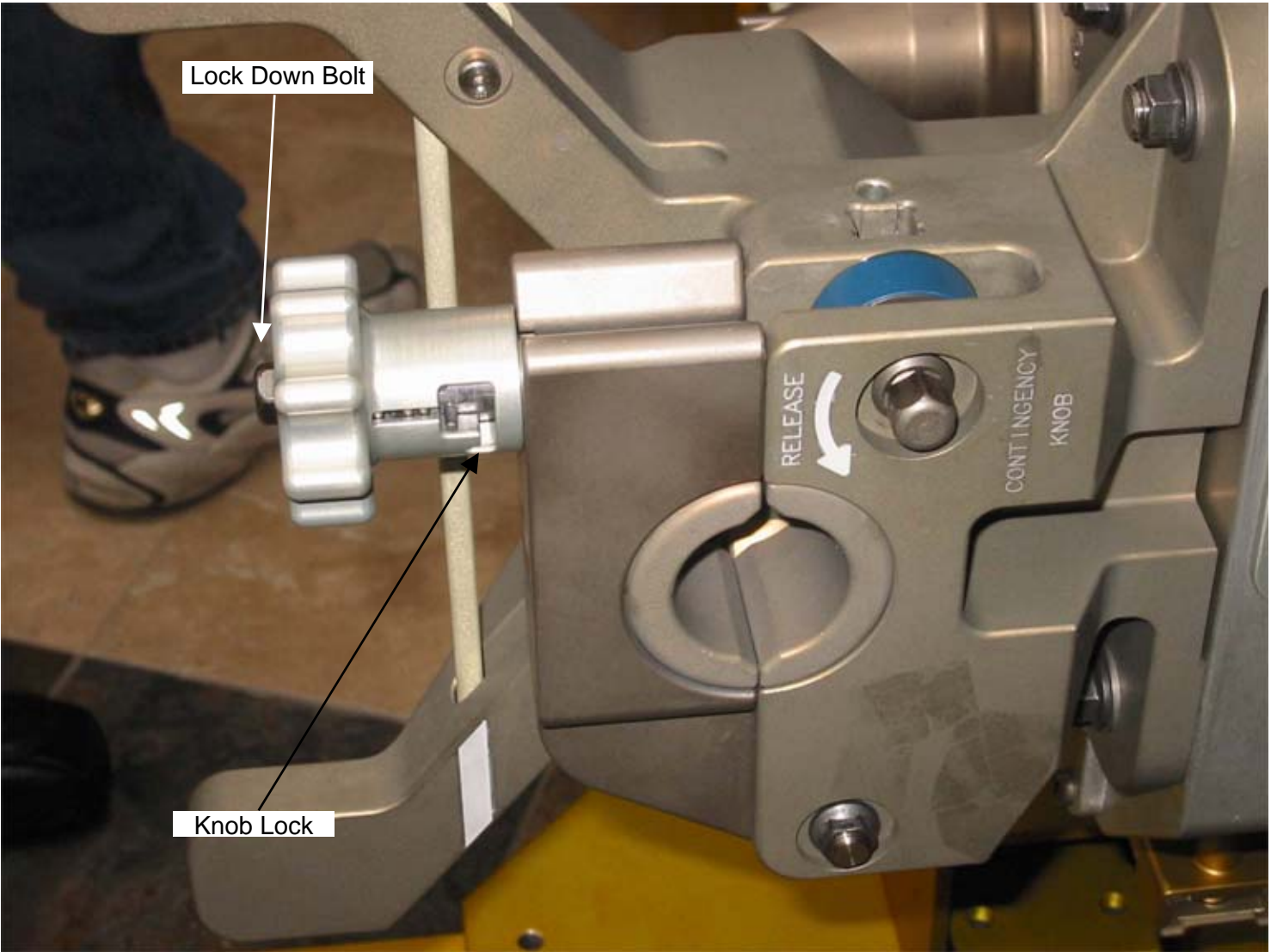
ESPAD STRUT DEPLOY



ESPAD V-GUIDE



ESPAD V-GUIDE CLOSEUP



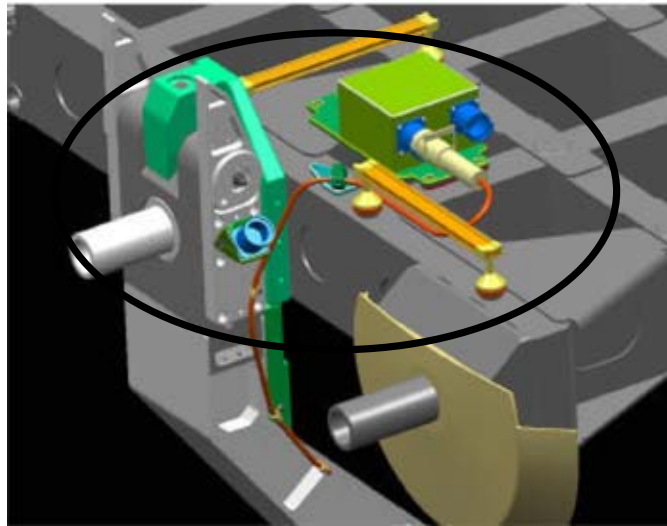
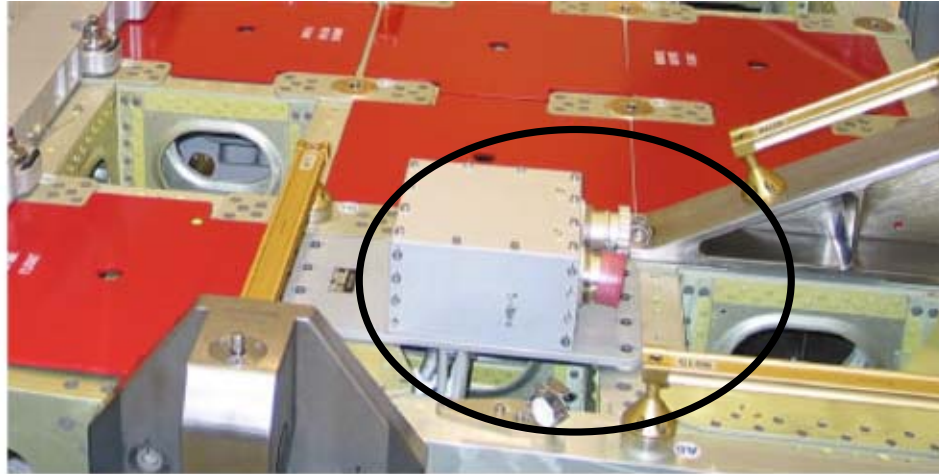
ESP2 INSTALL



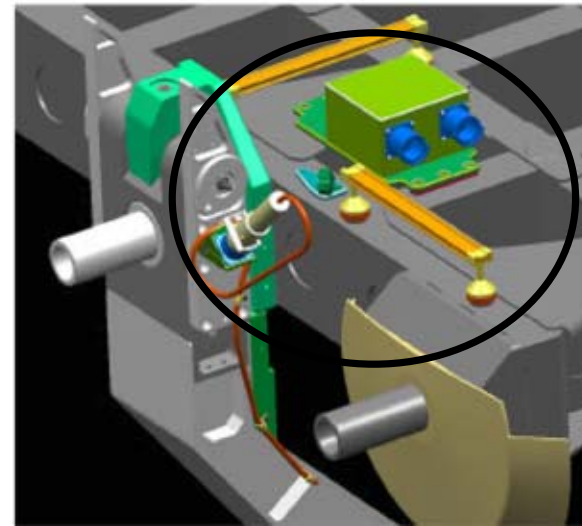
Claw

Claw Bolt

ESP2 POWER FROM ESP2 TO ORBITER

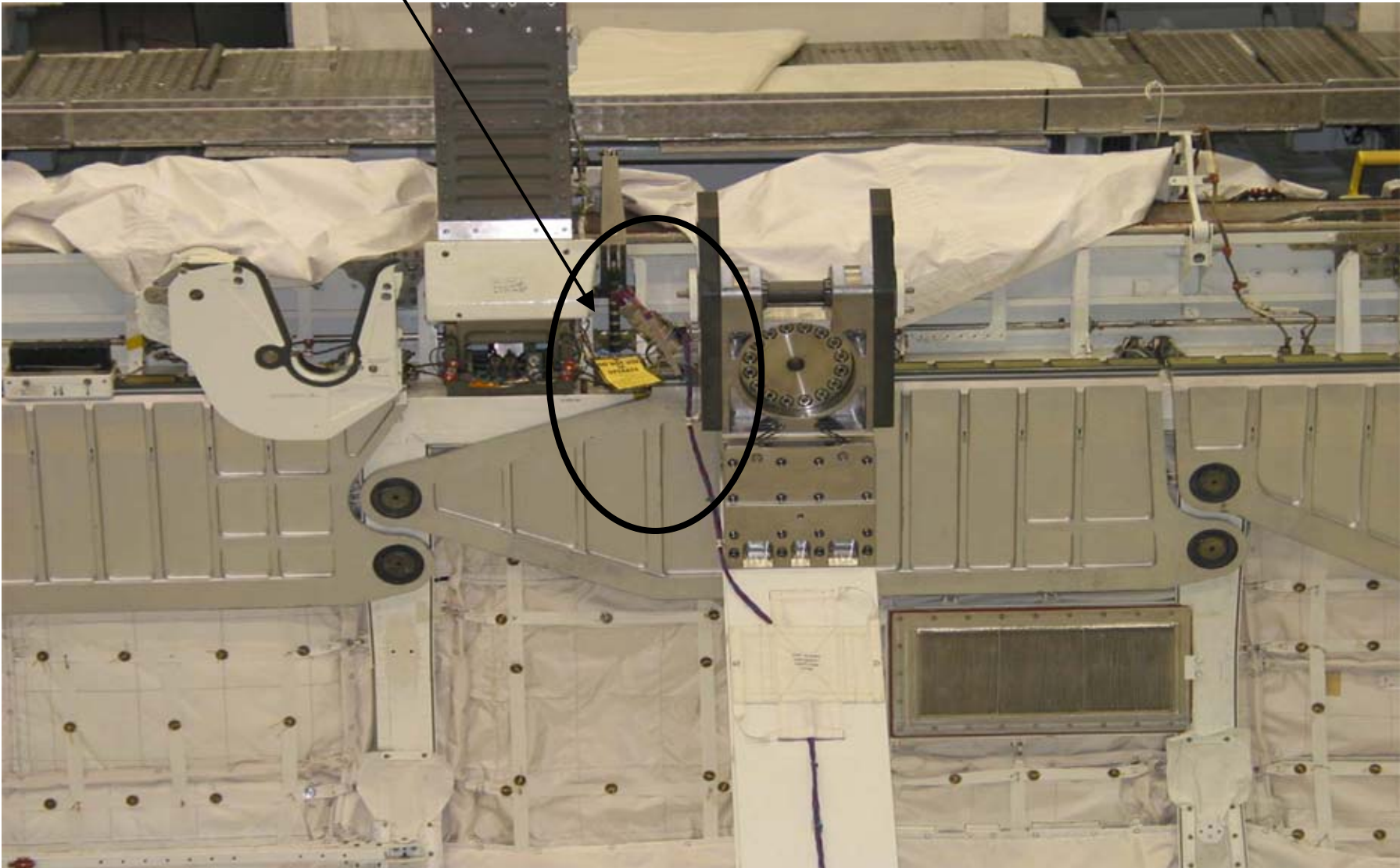


Launch Configuration

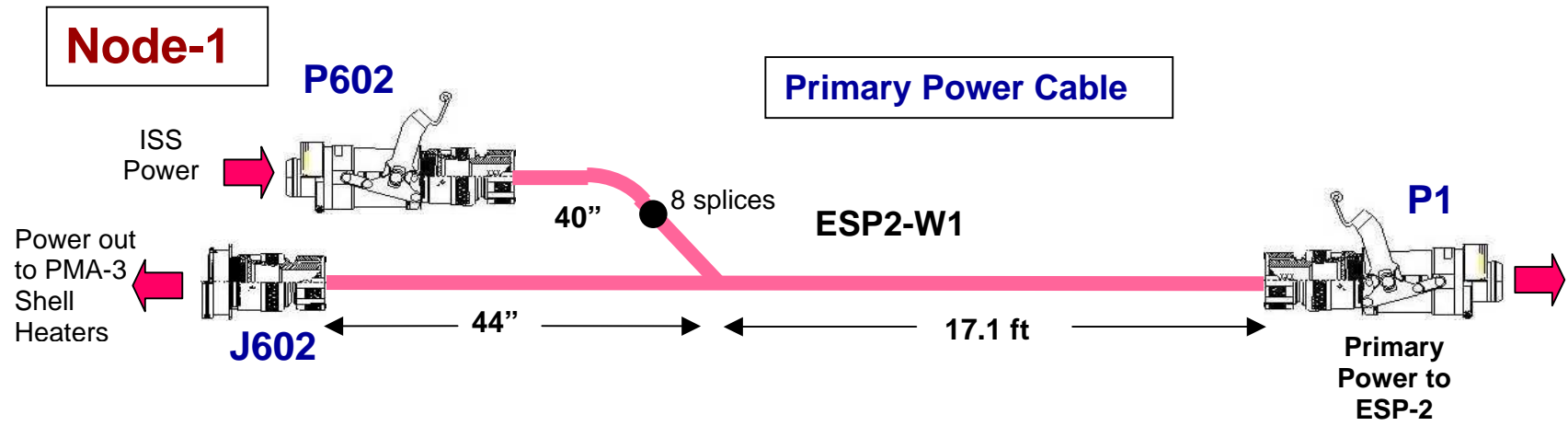


Landing Configuration

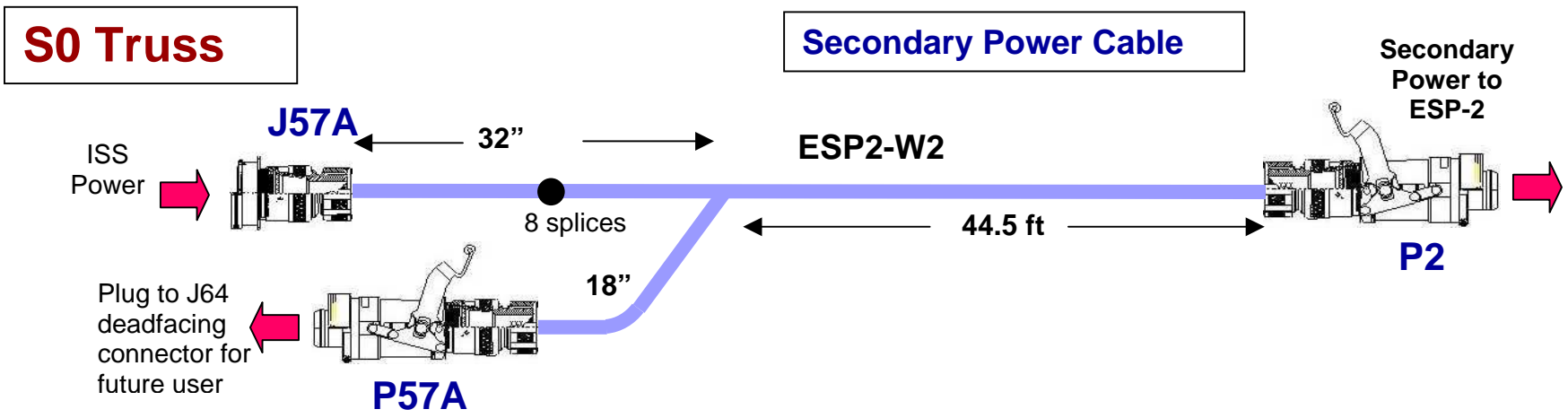
ESP2 ORBITER POWER CABLE STOWED



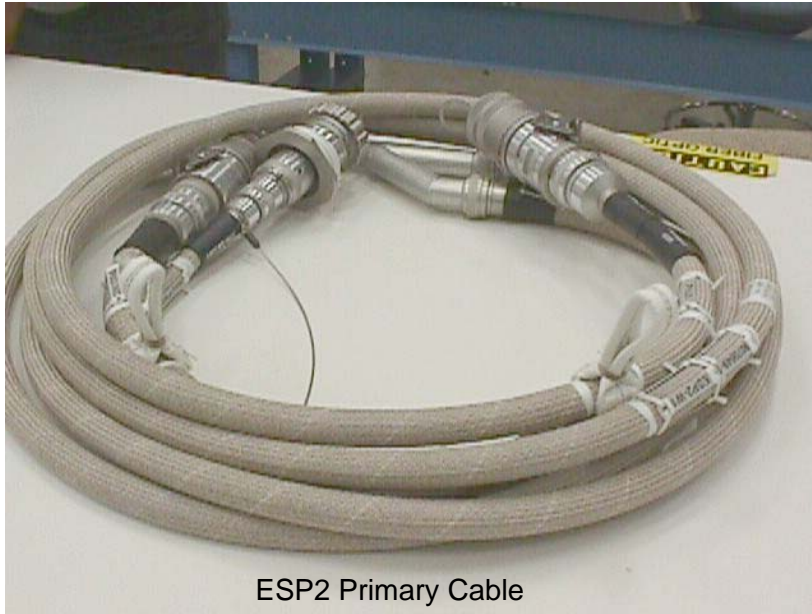
ESP2 POWER CABLES



ESP2



ESP2 FLIGHT CABLES



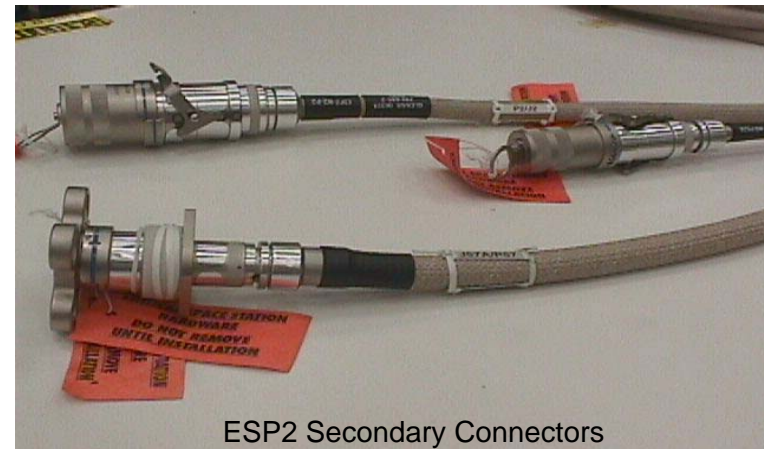
ESP2 Primary Cable



ESP2 Primary Connectors

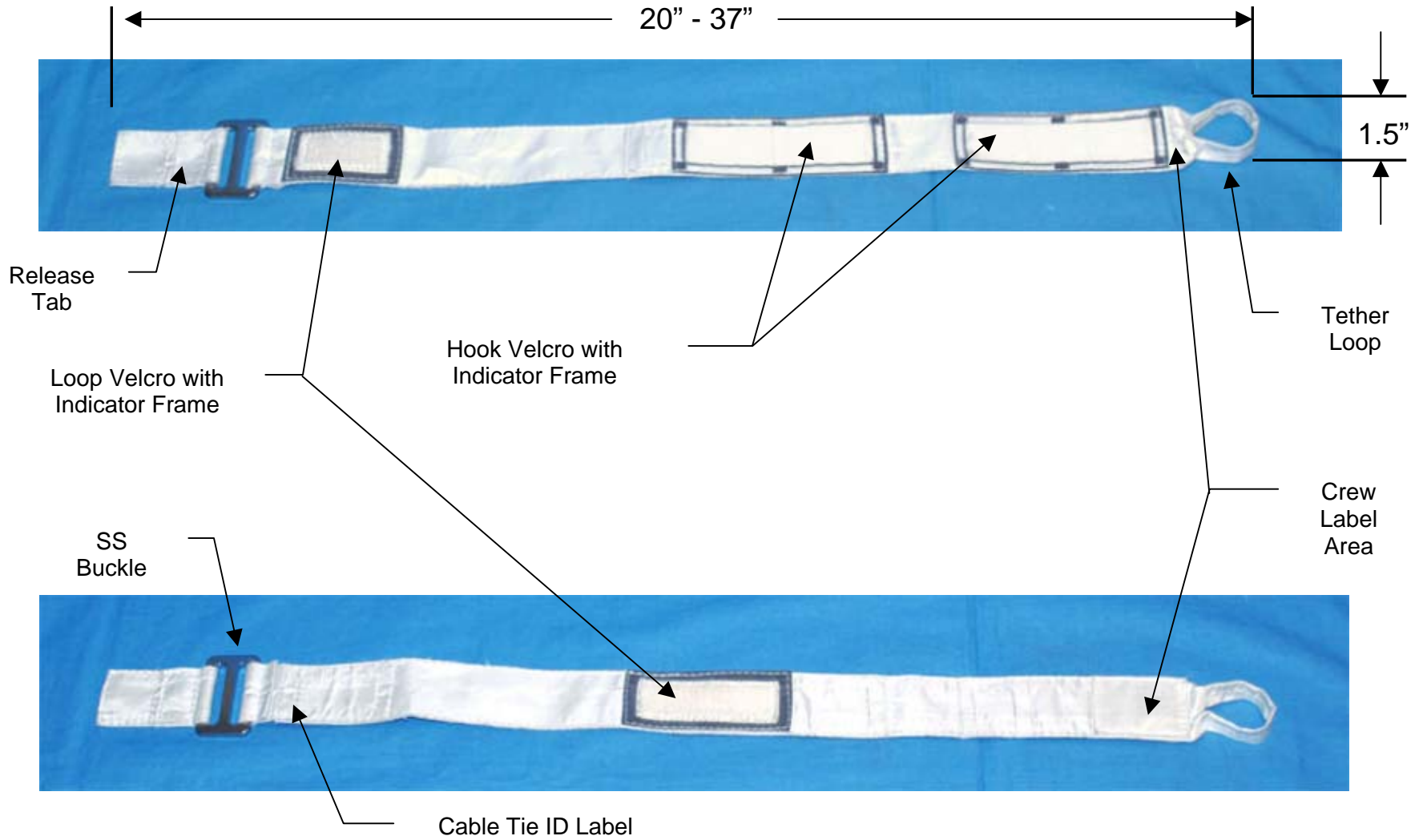


ESP2 Secondary Cable

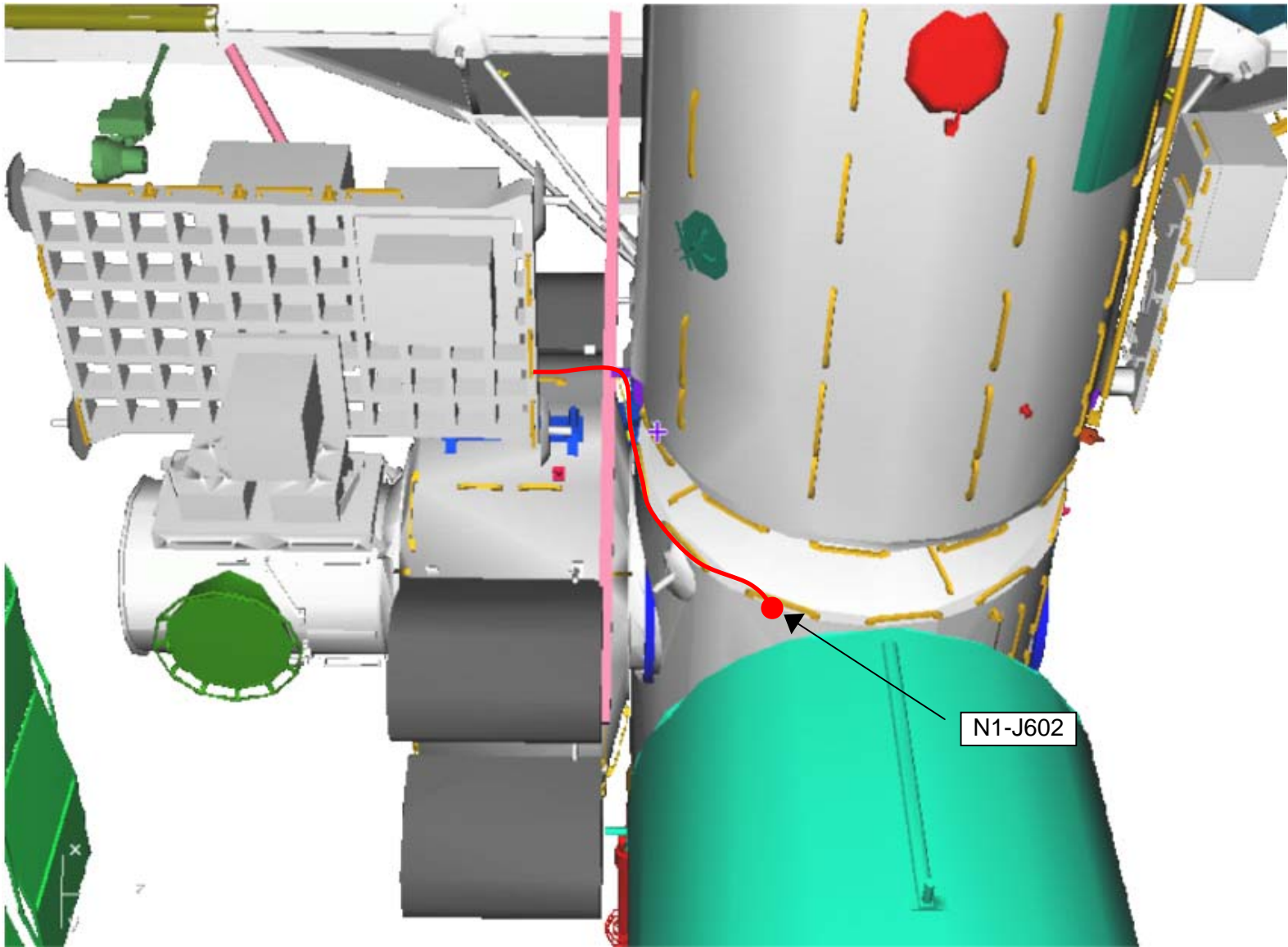


ESP2 Secondary Connectors

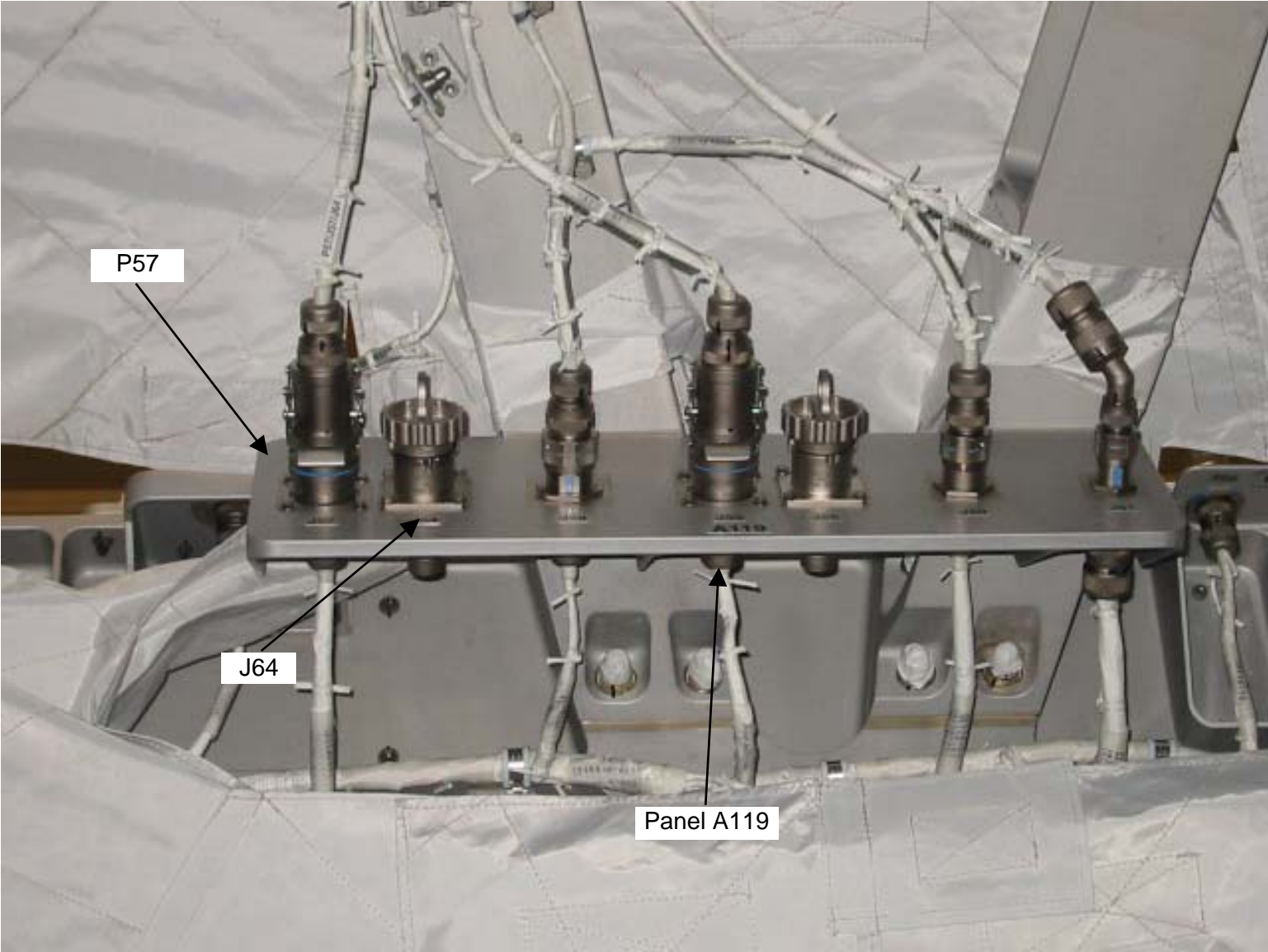
ESP2 CABLE TIES



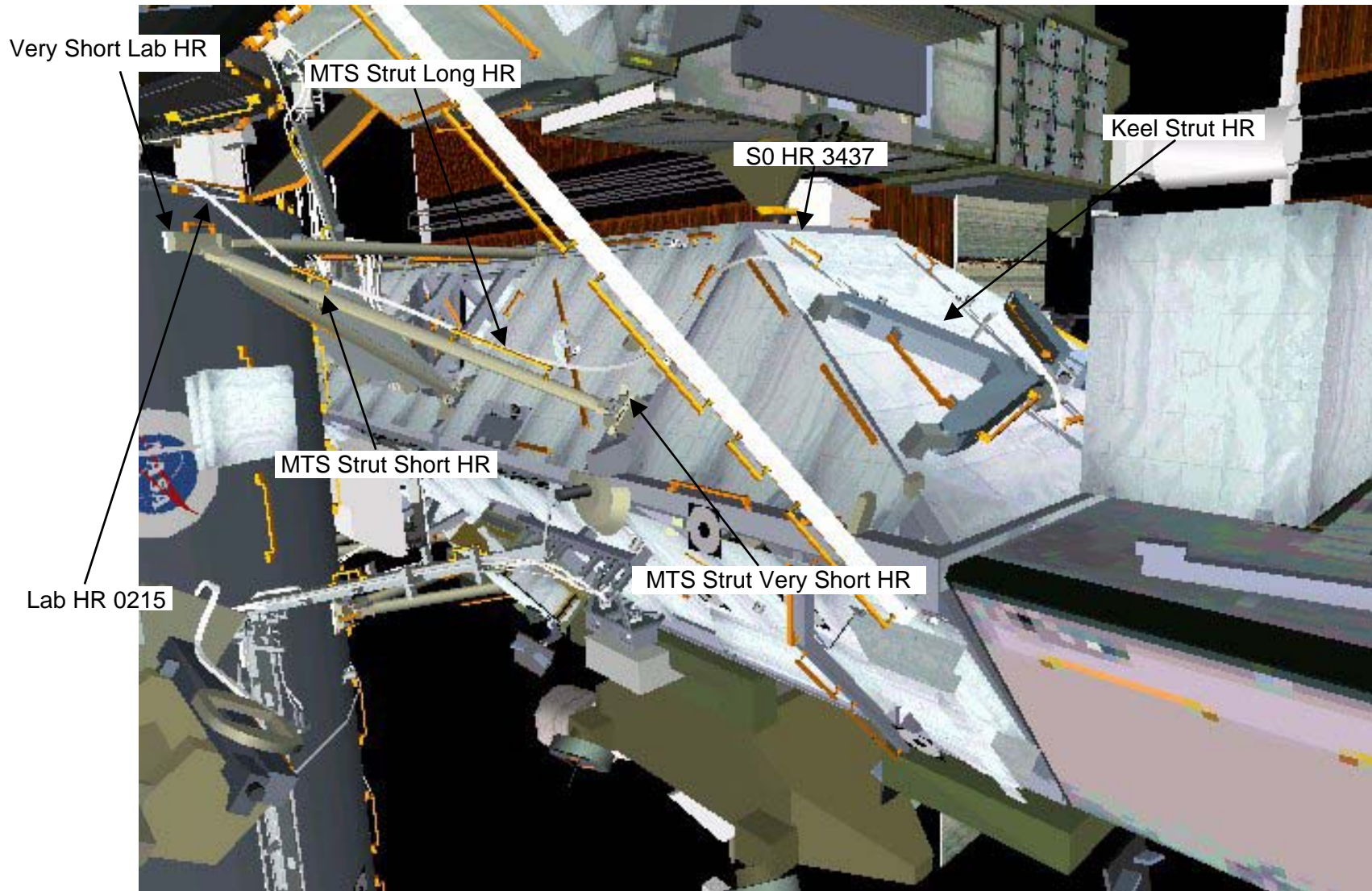
PRIMARY POWER CABLE ROUTING



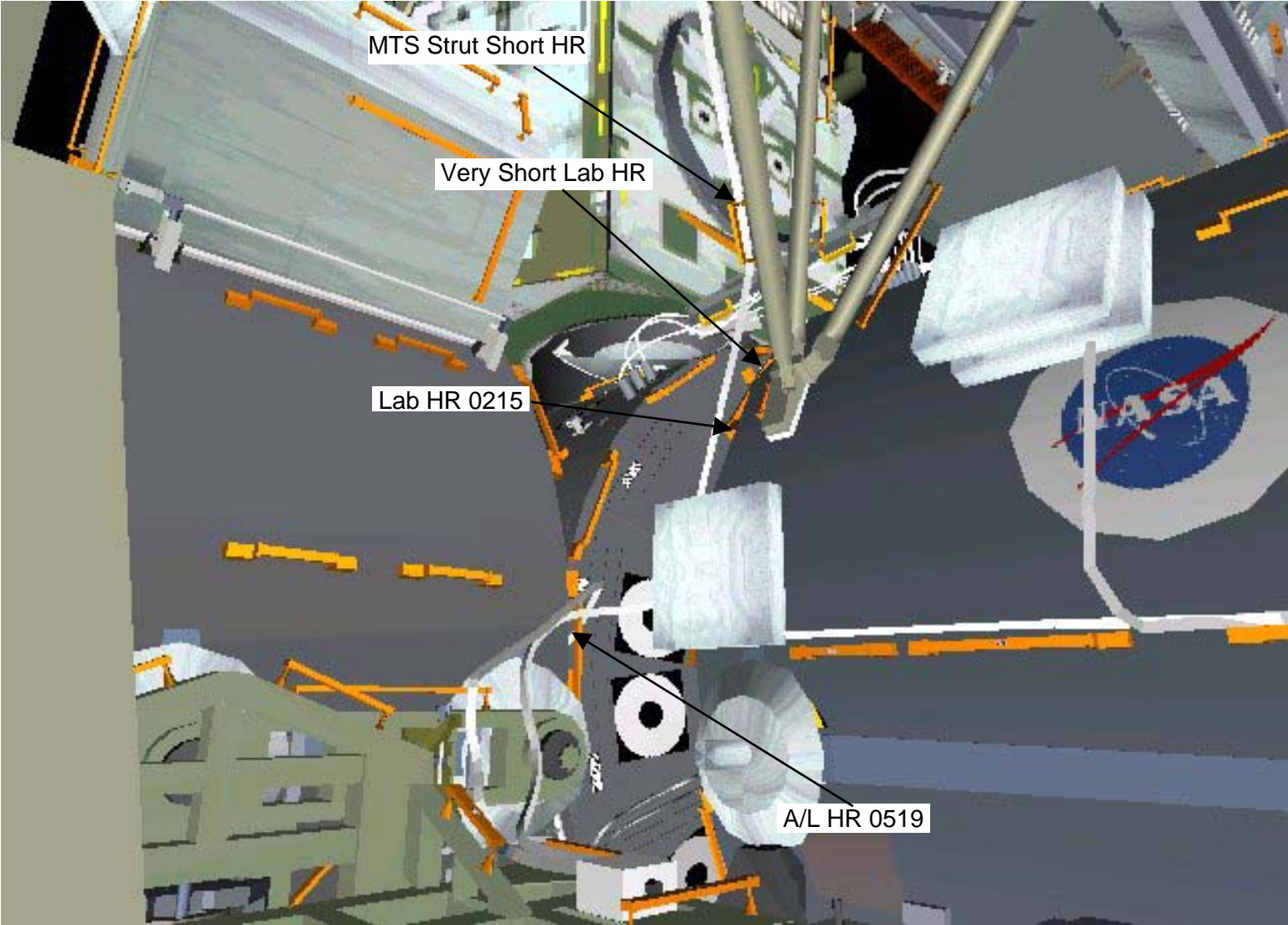
SECONDARY CABLE INSTALL – PANEL A119



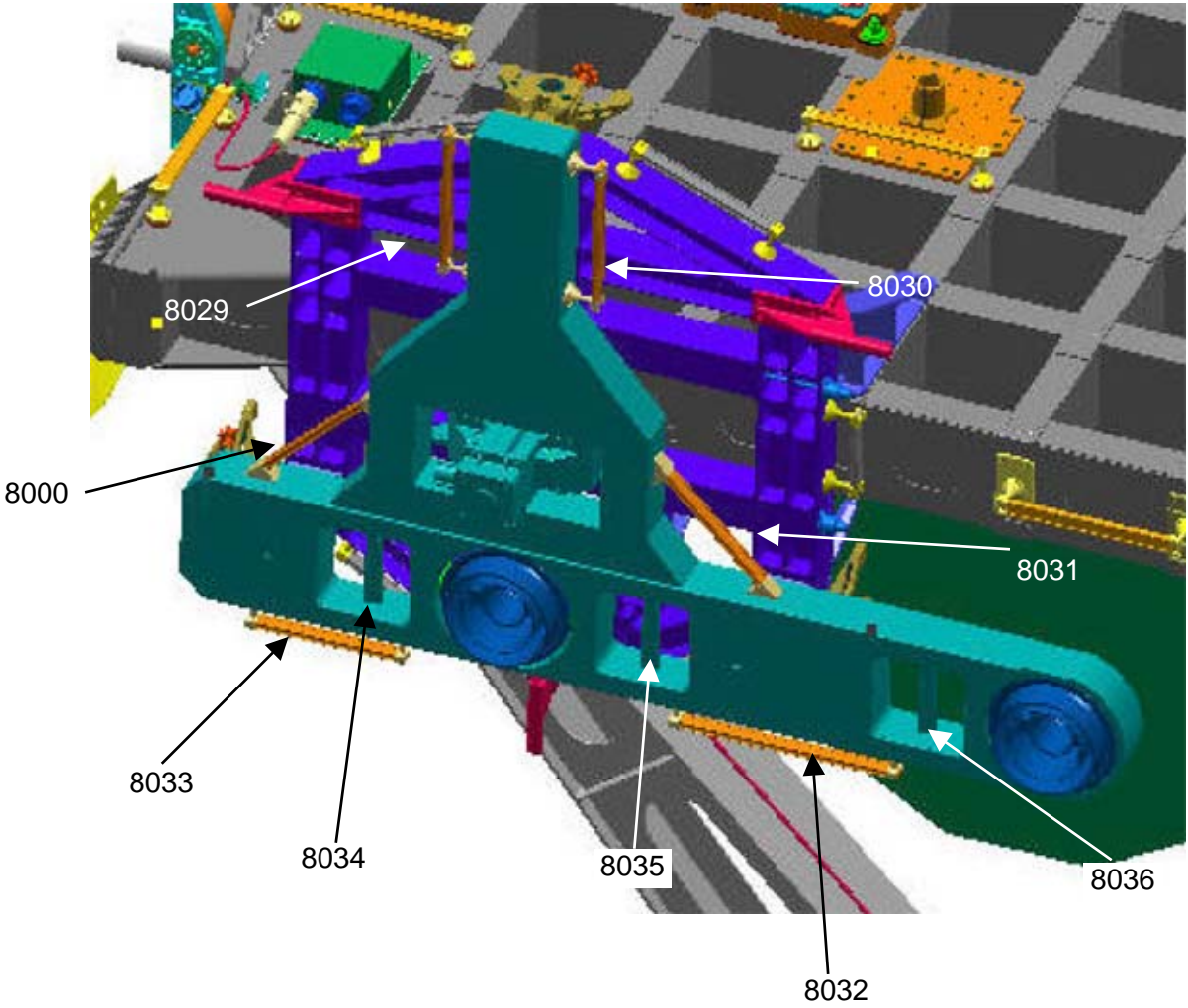
SECONDARY CABLE ROUTING



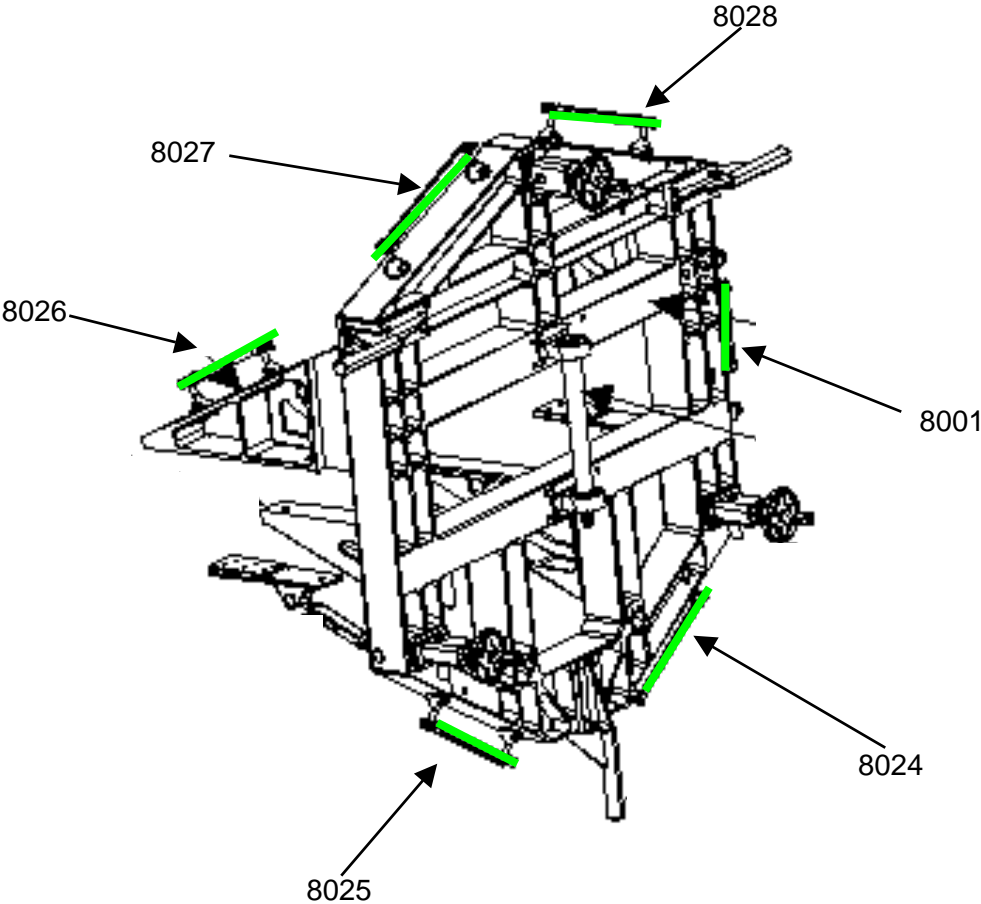
SECONDARY CABLE ROUTING (Cont)



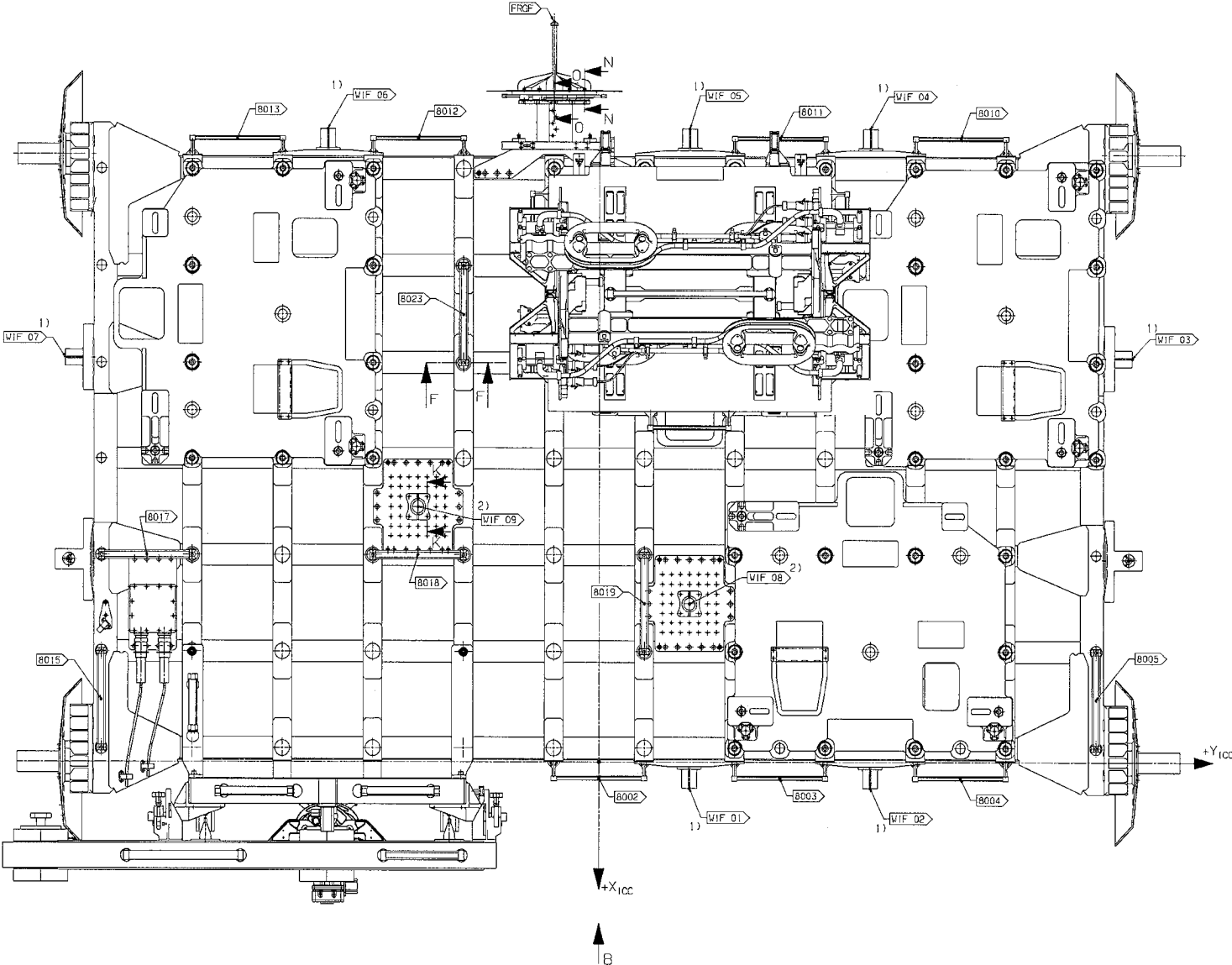
ACTIVE ESPAD HR LABELS



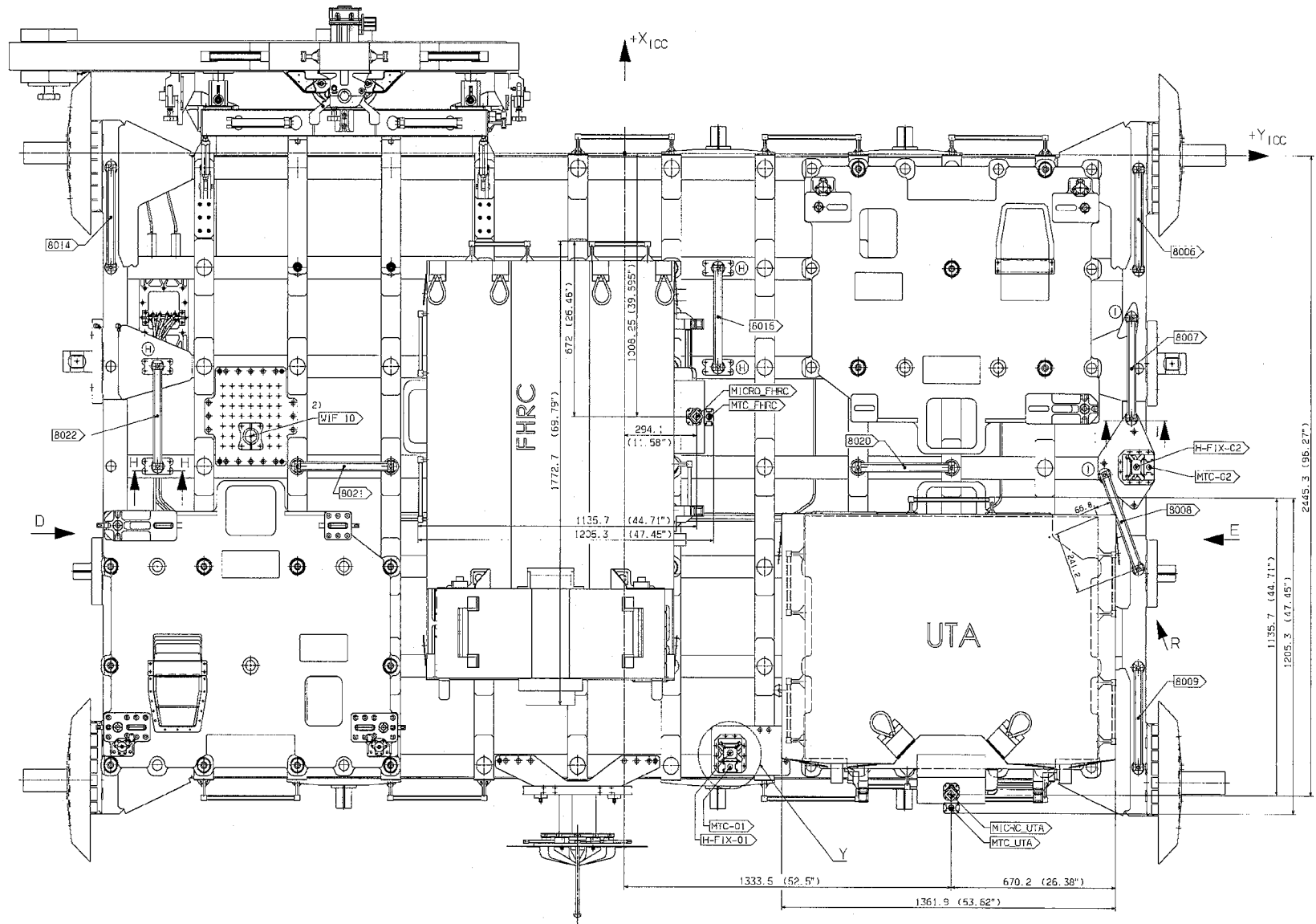
PASSIVE ESPAD HR LABELS



HR AND WIF LAYOUT (ZENITH)

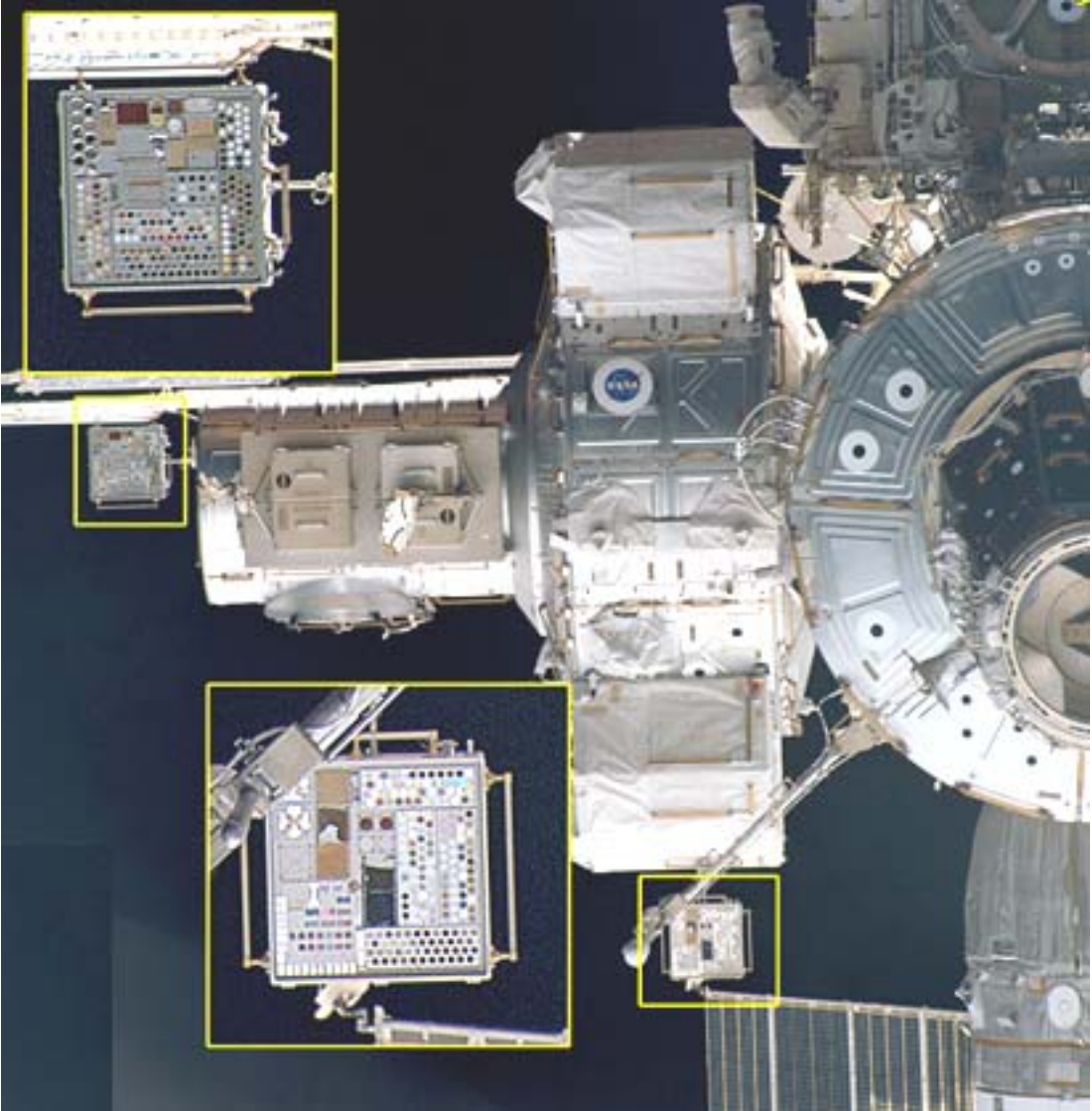


HR AND WIF LAYOUT (NADIR)



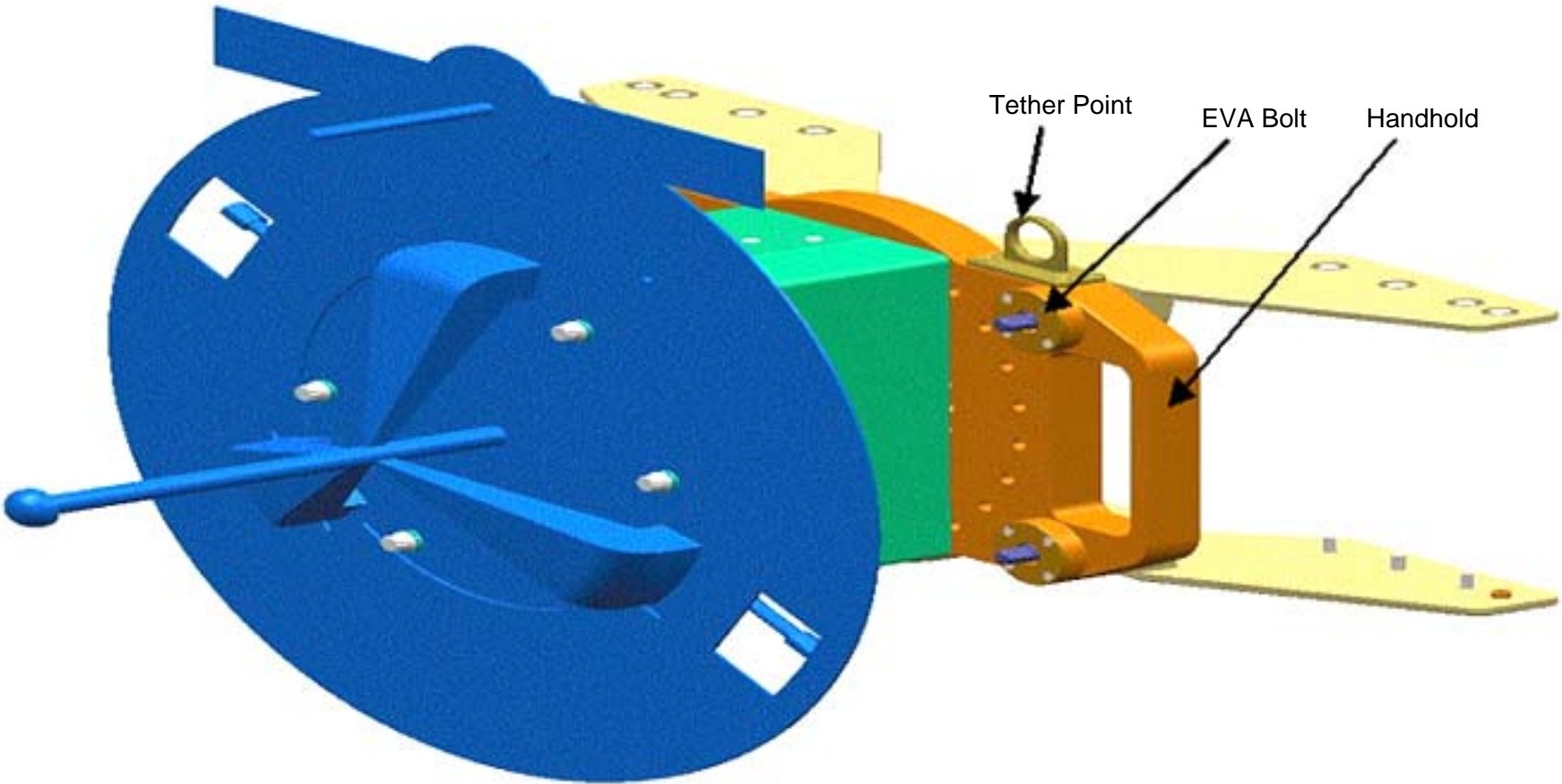
MISSE LOCATIONS

PEC # 2

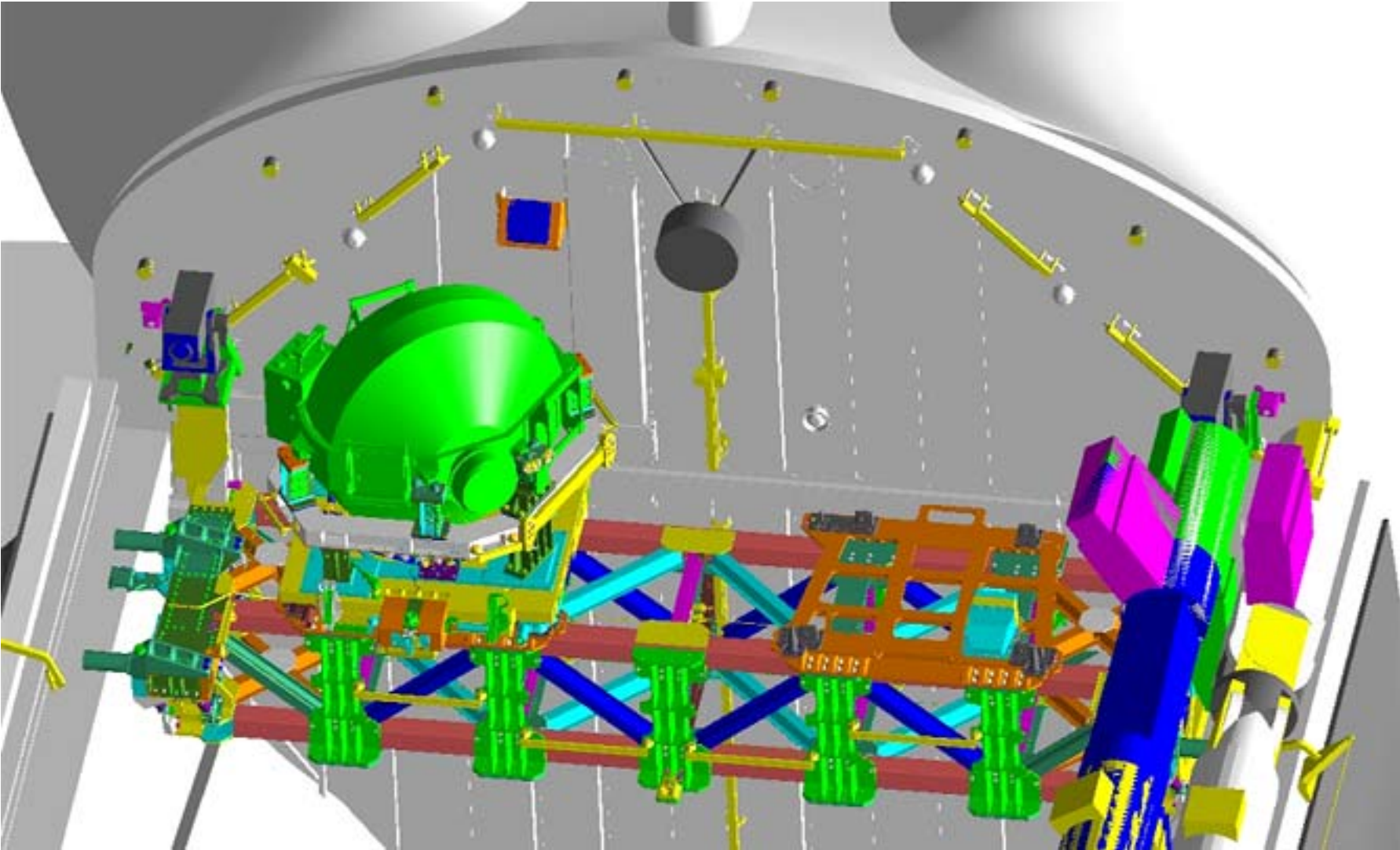


PEC # 1

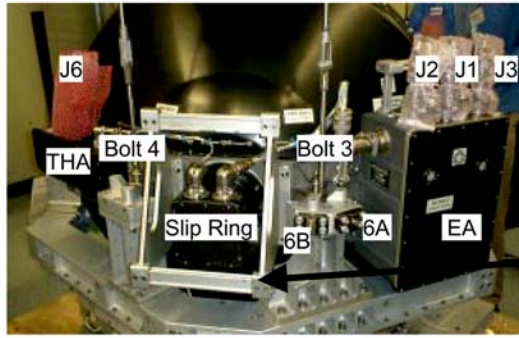
ESP2 FRGF



LMC WITH CMG



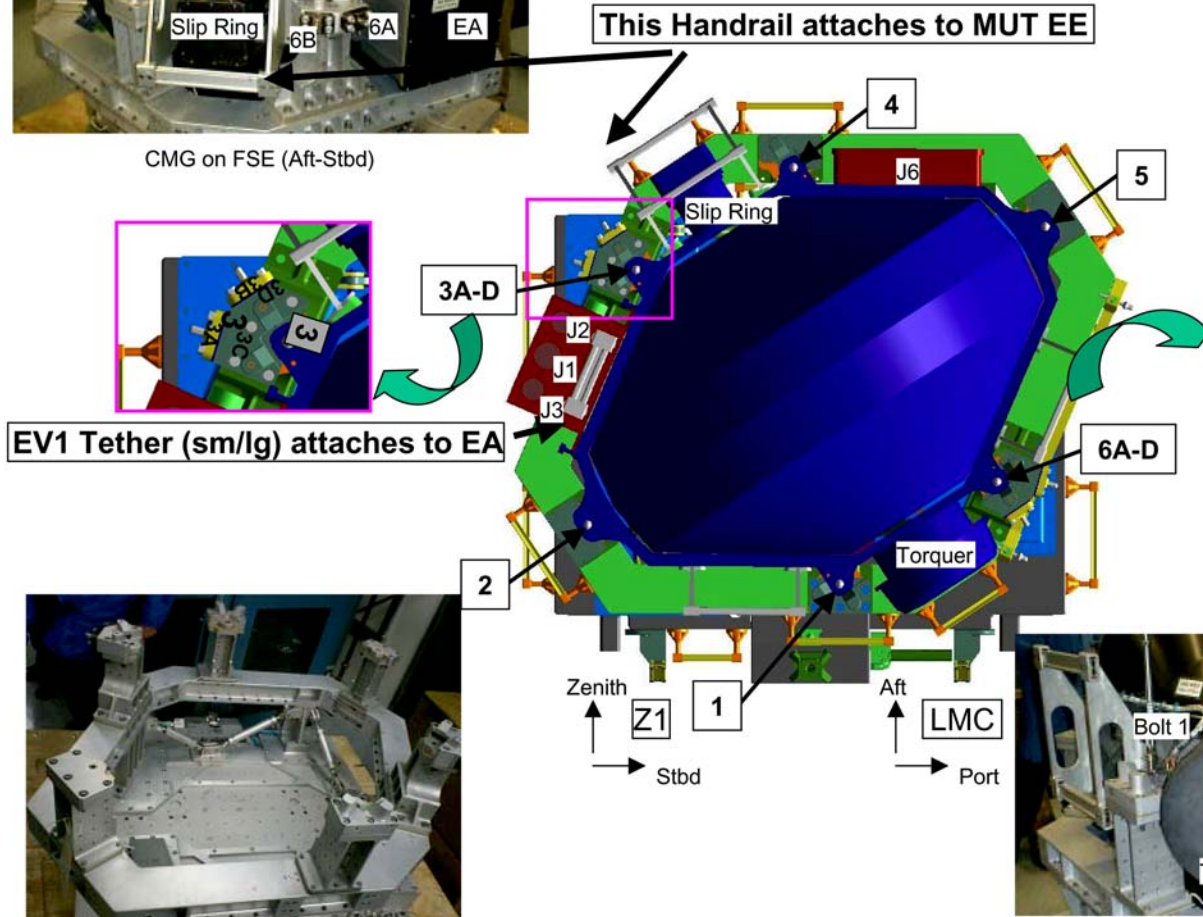
CMG NOMENCLATURE



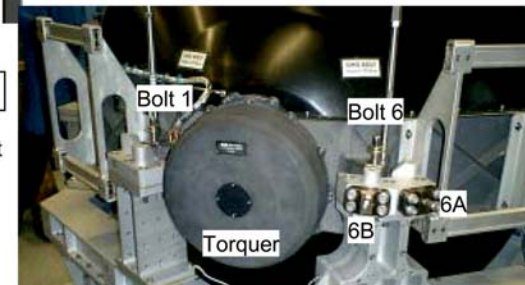
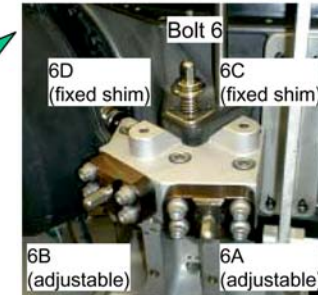
CMG on FSE (Aft-Stbd)



Simulated CCTV B view
(From orbiter Aft-Port looking Stbd)

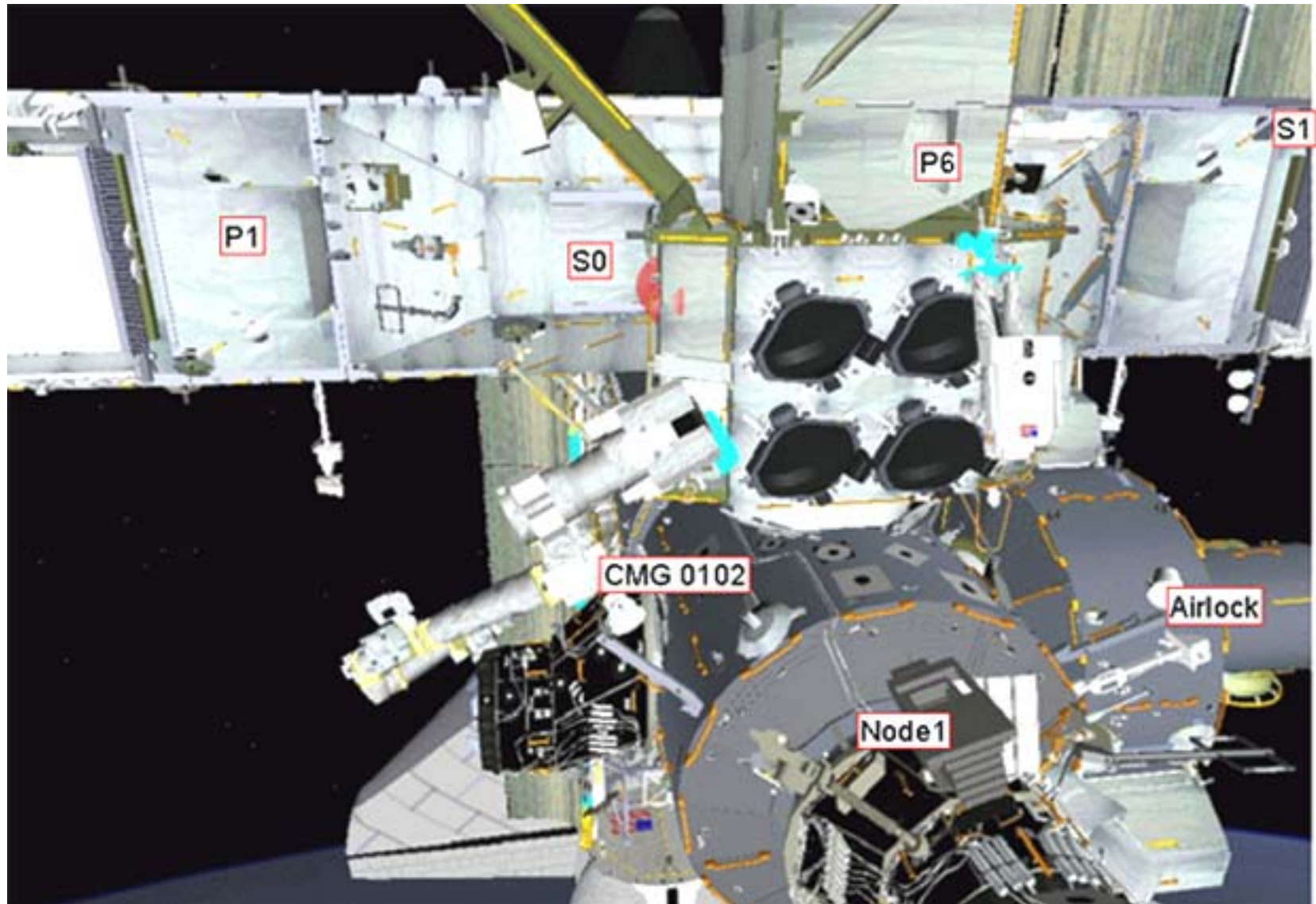


EV1 Tether (sm/lg) attaches to EA



CMG on FSE (Fwd-Port)

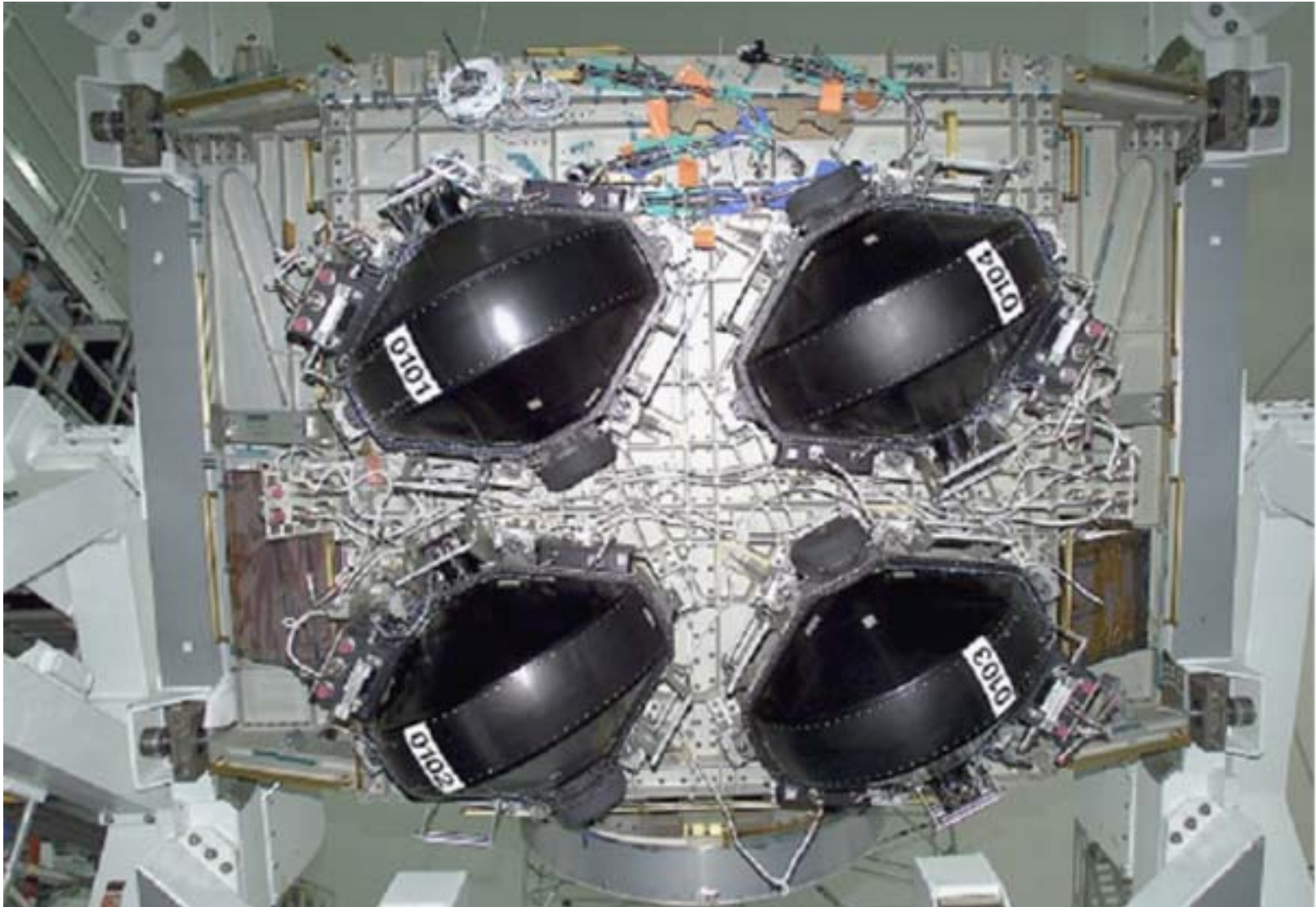
CMG LOCATION



AFT Z1 PRE-LAUNCH WITH BLANKET



CMG ON Z1



CMG SHIMS AT Z1



BLANKET CLOSED ON CMG IN FSE



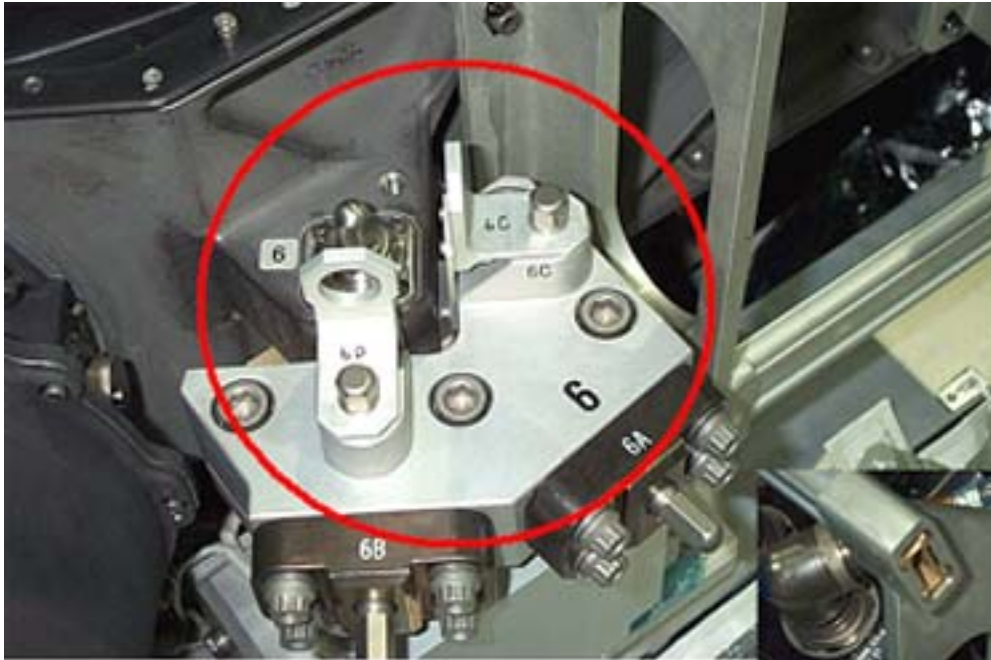
NEW CMG WITH BLANKET



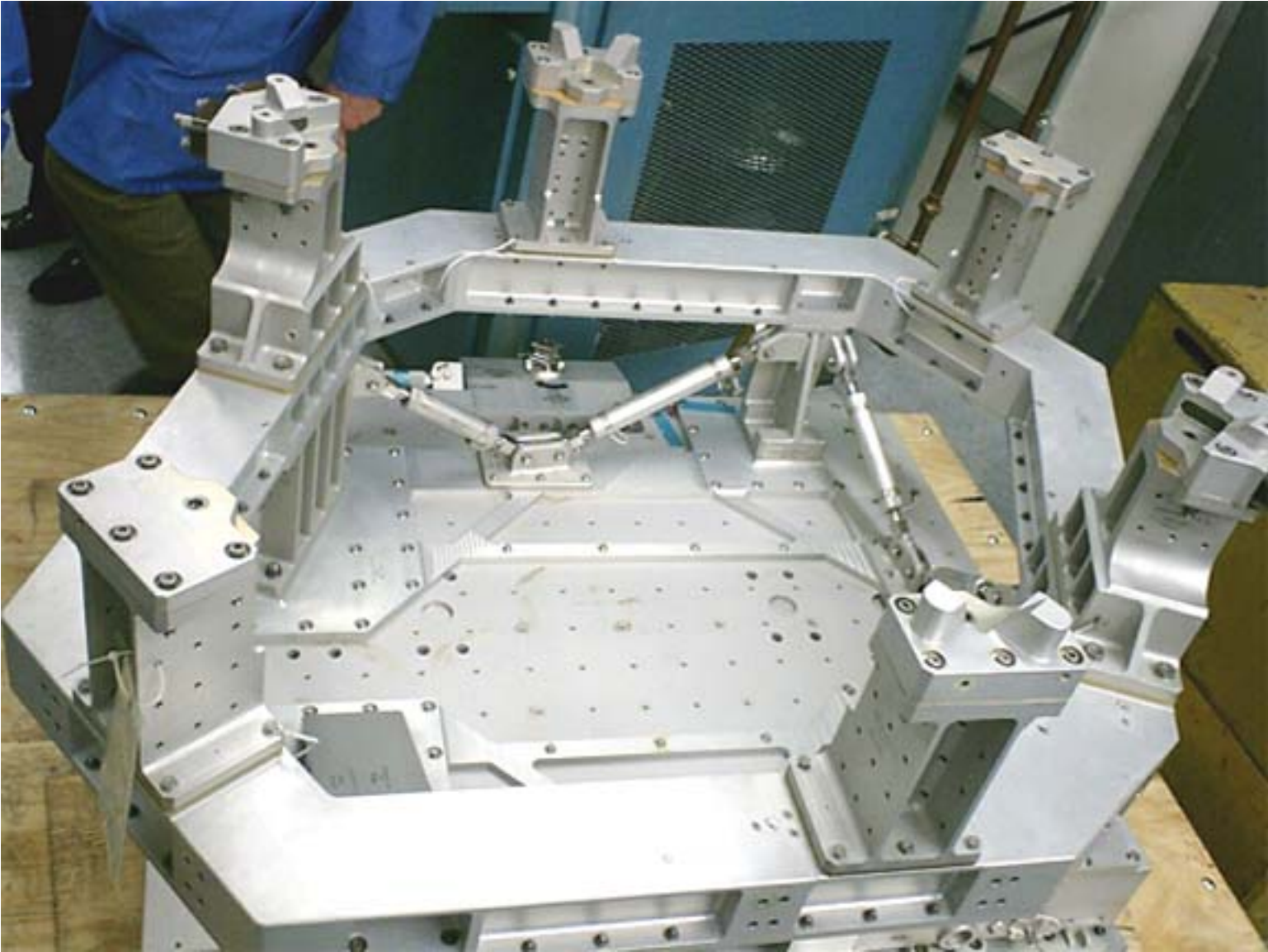
CMG IN FSE WITH MLI



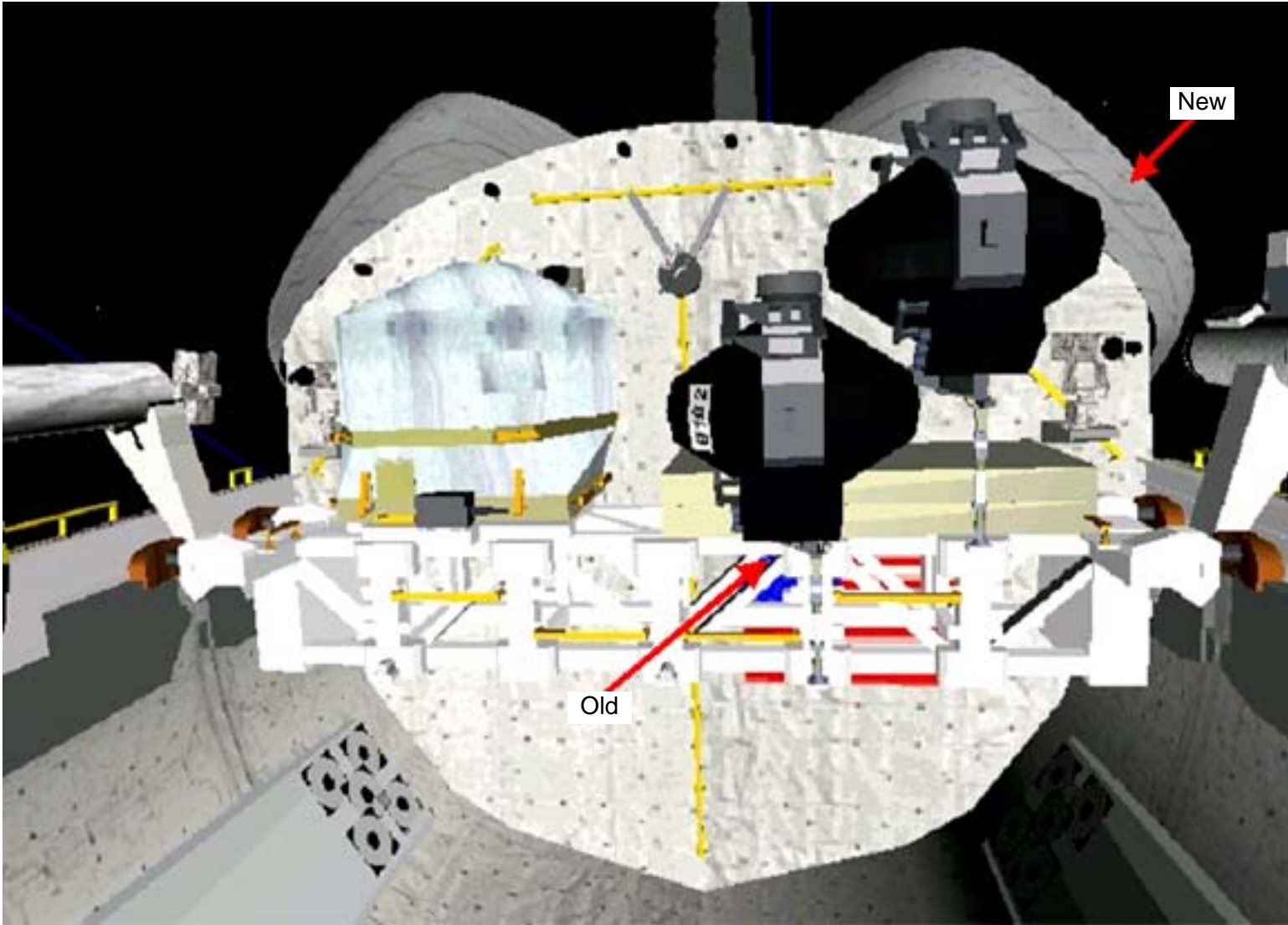
CMG SHIMS ON FSE



CMG FSE WITHOUT MLI OR CMG



CMG SWAP IN PLB



This Page Intentionally Blank



**EVA
CHECKLIST**

**STS
114**