

Entry Checklist

STS-127 Flight Supplement

**Mission Operations Directorate
Flight Design and Dynamics Division**

**Final
February 19, 2009**

National Aeronautics and
Space Administration

Lyndon B. Johnson Space Center
Houston, Texas

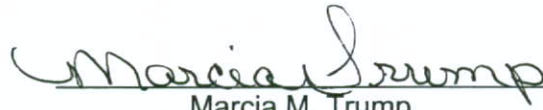


MISSION OPERATIONS DIRECTORATE

**ENTRY CHECKLIST
STS-127 FLIGHT SUPPLEMENT**

FINAL
February 19, 2009

PREPARED BY:



Marcia M. Trump
Book Manager

APPROVED BY:



Joe H. Jones
Lead Entry GPO



P. J. Bertsch
Chief, Ascent/Descent
Dynamics Branch

This document is under the configuration control of the Crew Procedures Control Board (CPCB). All proposed changes must be submitted via FDF Workflow Crew Procedure Change Request (CR) to DO3/FDF Manager.

Additional distribution of this book, for official use only, may be requested in writing to DO3/PMO Administrator. The request must include justification and requester's name, organization, position, and phone number. Contractor requests are made through the NASA or DOD organization supported. Deletions, reduction in quantity, or change of address may be submitted to DO3/FDF Management Office, 281-244-1184.

Incorporates the following:
482#: NONE – Establishes baseline

AREAS OF TECHNICAL RESPONSIBILITY

Book Manager	DM43/M. Trump	281-483-8029
Deorbit Burn to Entry Interface	DM43/G. Pogue	281-483-8067
Contingency Procedures and Entry Interface thru Rollout	DM43/G. Pogue	281-483-8067

NOTE

This Flight Supplement must be integrated into the generic Entry Checklist to have a complete document for flight. Insert the Flight Supplement (FS) pages in the proper numerical order in the generic Entry Checklist by using the List of Effective Pages (LOEP) which provides the sequence for merging pages to create a complete Entry Checklist.

ENTRY CHECKLIST
STS-127 FLIGHT SUPPLEMENT

LIST OF EFFECTIVE PAGES

FINAL 02/19/09

Sign Off	* generic	3-9	generic
ii	* generic	3-10	generic
Sign Off	* 127/FIN	3-11	generic
FS iv	* 127/FIN	3-12	generic
v	* generic	3-13	generic
vi	* generic	3-14	generic
vii	* generic	FS 3-15	127/FIN
viii	* generic	FS 3-16	127/FIN
ix	* generic	FS 3-17	127/FIN
x	* generic	FS 3-18	127/FIN
FS xi	* 127/FIN	3-19	generic
FS xii	* 127/FIN	3-20	generic
FS xiii	* 127/FIN	3-21	generic
FS xiv	* 127/FIN	3-22	generic
xv	generic	3-23	generic
xvi	generic	3-24	generic
1-1 (3 pgs)	† generic	3-25	generic
1-2 (3 pgs)	† generic	3-26	generic
2-1	generic	3-27	generic
2-2 (6 pgs)	† generic	3-28	generic
2-3 (6 pgs)	† generic	FS 3-29	127/FIN
2-4	generic	FS 3-30	127/FIN
FS 2-5	127/FIN	3-31	generic
FS 2-6	127/FIN	3-32	generic
FS 3-1	127/FIN	FS 3-33	127/FIN
FS 3-2	127/FIN	FS 3-34	127/FIN
FS 3-3	127/FIN	3-35	generic
FS 3-4	127/FIN	3-36	generic
3-5	generic	3-37	generic
3-6	generic	3-38	generic
FS 3-7	127/FIN	3-39	generic
FS 3-8	127/FIN	3-40	generic

* – Omit from flight book

† – Extra pages in crew copy only

FS xi

ENT/127/FIN

3-41.....	generic	5-23.....	generic
3-42.....	generic	5-24.....	generic
3-43.....	generic	6-1.....	generic
3-44.....	generic	6-2.....	generic
4-1.....	generic	6-3.....	generic
4-2.....	generic	6-4.....	generic
4-3.....	generic	7-1.....*	generic
4-4.....	generic	7-2.....*	generic
FS 4-5.....	127/FIN	FS 8-1.....*	127/FIN
FS 4-6.....	127/FIN	FS CC 8-2.....*	127/FIN
FS 4-7.....	127/FIN	FS CC 8-3.....*	127/FIN
FS 4-8.....	127/FIN	FS CC 8-4.....*	127/FIN
FS 4-9.....	127/FIN	CC 8-5.....*	generic
FS 4-10.....	127/FIN	CC 8-6.....*	generic
4-11.....	generic	CC 8-7.....*	generic
4-12.....	generic	CC 8-8.....*	generic
5-1.....	generic	CC 8-9.....*	generic
5-2.....	generic	CC 8-10.....*	generic
5-3.....	generic	CC 8-11.....*	generic
5-4.....	generic	CC 8-12.....*	generic
5-5.....	generic	CC 8-13.....*	generic
5-6.....	generic	CC 8-14.....*	generic
5-7.....	generic	CC 8-15.....*	generic
5-8.....	generic	CC 8-16.....*	generic
5-9.....	generic	FS CC 8-17.....*	127/FIN
5-10.....	generic	FS CC 8-18.....*	127/FIN
5-11.....	generic	CC 8-19.....*	generic
5-12.....	generic	8-20.....*	generic
5-13.....	generic	CC 8-21.....*	generic
5-14.....	generic	CC 8-22.....*	generic
5-15.....	generic	FS CC 8-23.....*	127/FIN
5-16.....	generic	FS CC 8-24.....*	127/FIN
5-17.....	generic		
5-18.....	generic		
FS 5-19.....	127/FIN		
FS 5-20.....	127/FIN		
5-21.....	generic		
5-22.....	generic		

* – Omit from flight book

ENTRY CUE CARDS

<u>Title</u>	<u>Ref. Page</u>	<u>Card No.</u>
DEORBIT BURN FLIGHT		
RULES (Front).....	FS CC 8-2	ENT-1a/127/D/A
(Back).....	FS CC 8-3	ENT-1b/127/D/A
DEORBIT BURN (RCS)		
(Front)	FS CC 8-4	ENT-3a/D/L
(Back).....	CC 8-6	generic
DEORBIT BURN (2 ENG)		
(Front)	CC 8-8	generic
DEORBIT BURN (1 ENG)		
(Back).....	CC 8-10	generic
UNBALANCED PRPLT		
DEORBIT BURN		
(Front)	CC 8-12	generic
DEORBIT BURN (MIXED		
XFEED) (Back).....	CC 8-14	generic
ENTRY MANEUVERS		
(Front)	CC 8-16	generic
(Back).....	FS CC 8-17	ENT-6b/127/E/A
ENTRY NO-GO CHECKLIST		
(Front)	FS CC 8-18	ENT-7a/E/K
EMERGENCY EGRESS		
(Back).....	CC 8-19	generic
ENTRY CONTROL		
(Front)	CC 8-21	generic
(Back).....	CC 8-22	generic
DEORBIT BURN MONITOR		
(Front)	FS CC 8-23	ENT-2a/127/A,O,D,E/A
OMS FAILURES (Back)	FS CC 8-24	ENT-2b/127/A,O,D,E/A



This Page Intentionally Blank





OMS/
RCS ΔV

OMS/RCS ΔV

FS 2-5

ENT/127/FIN



OMS He PRESS/ Δ V/BURN TIME

OMS/
RCS Δ V

OMS% GAGE	OMS He Press *	OMS Δ V	RCS Δ V	RCS BURN MIN:SEC
50	3210	262	219	7:19
40	2810	205	171	5:43
38	2730	194	162	5:24
36	2650	182	152	5:05
34	2570	171	143	4:46
32	2490	159	133	4:26
30	2410	148	124	4:07
28	2330	136	114	3:48
26	2250	124	105	3:29
24	2170	113	95	3:10
22	2090	101	86	2:51
20	2010	90	76	2:31
18	1930	78	66	2:12
16	1850	66	56	1:53
14	1770	55	46	1:33
12	1690	43	36	1:13
10	1610	31	27	0:53
8	1530	20	17	0:34
6	1450	8	7	0:14
5	1410	2	2	0:04

* He pressure not valid until 1 hr after last burn

ΔV CAPABILITY	
ARCS Δ V fps =	$\boxed{0.8} \times [L\% + R\% - \text{AFT QTY } 1]$
FRCS Δ V fps =	$\boxed{0.9} \times \text{FRCS } \%$
OMS Δ V fps =	$\boxed{5.7} \times \text{OMS } \%$

NOTE: Uses assumed vehicle weight of 227,818 lb



DEORBIT BURN

DEORBIT
BURN



FS 3-1

ENT/127/FIN

DEORBIT
BURN

**STS-127 LANDING SITE TABLE
(50° to 63.5° INCLINATION)**

S I T E	LOCATION	RWY	MLS CH	LG	+ OVR RUN
1	KSC	KSC 15 KSC 33	8 6	15000 15000	1000 1000
2	BEN GUERIR	BEN 36 BEN 18	- -	13720 13220	0 1000
3	MORON AB	MRN 20 MRN 02	◆6 -	11730 11730	1000 1000
4	ZARAGOZA	ZZA 30L ZZA 12R	◆6 -	12200 12200	1000 1010
5	MYRTLE BEACH	MYR 36 MYR 18	- -	9500 9500	1000 1000
6	WILMINGTON	ILM 06 ILM 24	- -	7500 7500	0 0
7	CHERRY POINT	NKT 32L NKT 23R	- -	7110 7100	800 880
8	OCEANA NAS	NTU 32R NTU 23L	- -	7500 11500	0 0
9	WALLOPS	WAL 28 WAL 04	- -	7510 8750	0 0
10	DOVER AFB	DOV 32 DOV 19	- -	12400 9100	0 0
11	ATLANTIC CITY	ACY 31 ACY 13	- -	9500 9500	0 0
12	BEN GUERIR	BEN 36 BEN 18	- -	13720 13220	0 1000
13	*MORON AB	MRN 20 MRN 02	◆6 -	11730 11730	1000 1000
14	*ZARAGOZA	ZZA 30L ZZA 12R	◆6 -	12200 12200	1000 1010
15	GABRESKI	FOK 06 FOK 24	- -	8500 8500	1000 1000

◆ Available for TAL Only

* LO XRNG TAL Site **Length** after displaced threshold

**STS-127 LANDING SITE TABLE
(50° to 63.5° INCLINATION)**

S I T E	LOCATION	RWY	MLS CH	LG	+ OVR RUN
16	OTIS ANGB	FMH 32	-	9000	0
		FMH 23	-	7500	0
17	PEASE INT'L	PSM 34	-	10020	0
		PSM 16	-	10020	0
18	HALIFAX INT'L	YHZ 23	-	8800	0
		YHZ 32	-	7700	0
19	STEPHEVILLE	YJT 09	-	9500	0
		YJT 27	-	9500	0
20	ST JOHNS INT'L	YYT 29	-	8500	0
		YYT 11	-	8500	0
21	GANDER INT'L	YQX 21	-	9700	0
		YQX 31	-	8900	0
22	GOOSE BAY	YYR 26	-	10550	0
		YYR 34	-	9080	0
23	LAJES	LAJ 15	-	10870	970
		LAJ 33	-	10870	990
24	BEJA	BEJ 01L	-	10820	0
		BEJ 19R	-	10820	900
25	KEFLAVIK	IKF 20	-	9520	0
		IKF 29	-	9560	0
26	SHANNON	INN 06	-	9540	0
		INN 24	-	9540	0
27	FAIRFORD	FFA 27	-	9490	990
		FFA 09	-	9490	970
28	KOLN-BONN	KBO 14L	-	12020	0
		KBO 32R	-	12020	0
29	ISTRES AB	FMI 33	◆6	11300	3960
		FMI 15	-	12300	0
30	ESENBOGA	ESN 03R	-	11800	0
		ESN 21L	-	11800	0

◆ Available for TAL Only

Length after displaced threshold

**STS-127 LANDING SITE TABLE
(50° to 63.5° INCLINATION)**

S I T E	LOCATION	RWY	MLS CH	LG	+ OVR RUN
31	KING KHALID	KKI 15R	-	13300	0
		KKI 33L	-	13300	0
32	DIEGO GARCIA	JDG 31	-	12000	950
		JDG 13	-	12000	950
33	AMBERLEY TINDAL RAAF	AMB 15	-	9500	0
		PTN 14	-	8500	0
34	YOKOTA AB	JTY 36	-	11000	1000
		JTY 18	-	11000	1000
35	ANDERSEN AFB	GUA 06L	-	10560	1050
		GUA 24R	-	10560	1000
36	WAKE ISLAND	WAK 28	-	9360	0
		WAK 10	-	9360	0
37	HONOLULU	HNL 08R	-	11500	0
		HNL 26L	-	11500	0
38	ELMENDORF	EDF 24	-	9500	0
		EDF 06	-	9500	0
39	HAO ATOLL	HAO 12	-	10390	0
		HAO 30	-	10390	0
40	EDW TEMP	EDT 22R	-	12000	1000
		EDT 04L	-	12000	1000
41	ASCENSION	HAW 13	-	9520	0
		HAW 31	-	9520	0
42	NORTHROP	NOR 17	6	15000	Lkbd
		NOR 23	6	15000	Lkbd
43	NORTHROP	NOR 05	-	15000	Lkbd
		NOR 35	-	15000	Lkbd
44	EDWARDS AFB	EDW 15	-	16300	Lkbd
		EDW 18L	-	15000	Lkbd
45	EDWARDS AFB	EDW 22	8/†	15010	0
		EDW 04	6	14010	1800

† MSBLS Jr. Ch 8 - Requires Uplink

Length after displaced threshold

1: GNC DEORB MNVR COAST	2: GNC 50 HORIZ SIT
3: BFS, GNC 50 HORIZ SIT	

HORIZ SIT CONFIG

ALTM – ITEM 9 + .

	<u>PASS ITEM</u>		<u>BFS ITEM</u>	
PTI	INH	√1		
LAND SITE (DEL PAD)		√41		√41
RWY (DEL PAD)		√3		√3
		√4		√4
TAEM TGT				
G&N	OVHD	√6	blank	
HSI	blank		blank	
XEP	NEP	√7	NEP	√7
AIM (DEL PAD)	NOM	√8	NOM	√8
	(or CLSE)		or (CLSE)	
SPDBK	NOM	√39		
NAV				
GPS	INH	√43	INH	√43
DRAG H	AUT	√22	AUT	√22
ADTA H	INH	√26	INH	√26
MLS	AUT	√50		
G&C				
GPS	INH	√48		
ADTA	INH	√29	AUT	√28

- * If BFS engaged: *
- * Set BFS HSD ITEMS to PASS config *

G51 SEL ATMOSPHERE:
 incl ≤ 50° ITEM 22 EXEC
 incl > 50° SEL ITEM NR (table)

Hemi	Jan	Feb	Mar	Apr	May	Jun	Jul	Aug	Sep	Oct	Nov	Dec
N Desc	23	23	23	23	22	24	24	24	22	23	23	23
S Asc	24	24	22	23	23	23	23	23	23	23	22	24
N Asc	22											
S Desc												

1: GNC DEORB MNVR COAST | 2: GNC 50 HORIZ SIT

3: GNC 51 OVERRIDE

- √ELEVON AUTO – ITEM 17 (*)
- √SSME REPOS – ITEM 19 (ENA)
- √WRAP MODE – ITEM 45 (ENA)
- If PLB holding > 10K lb:
 - FILTER ALT – ITEM 21 EXEC (*)

3: BFS, GNC 51 OVERRIDE

- √ELEVON AUTO – ITEM 17 (*)
- √SSME REPOS – ITEM 19 (ENA)
- √WRAP MODE – ITEM 45 (ENA)
- If PLB holding > 10K lb:
 - √FILTER ALT – ITEM 21 (*)

- * DES any failed/comm faulted *
- * IMU, RGA, AA, or SURF feedback *

2: GNC DEORB MNVR COAST

3: BFS, GNC DEORB MNVR COAST

- √BFS GMBL sel config same as PASS GMBL sel config



DEORBIT BURN CARDS

**BURN
CARDS**



MS ONLY

FS 3-15

ENT/127/FIN



DEORBIT BURN FLIGHT RULES
ONE-ORBIT LATE AVAILABLE ENT-1a/127/D/A

**BURN
CARDS**

FAILURE	PRE TIG		POST TIG
	Delay (max)		Stop Burn, > Safe HP
	One Orbit	One Day	
APU/HYD			
1 No APU operating X	
DPS			
2 RDNT fail, Split.....X...X
3 1 GPC.....	... X	
4 BFSX...	
5 GPC BITE (Multiple GPCs)X...	
ECLS			
6 2 Av Bay Fans in Bay 3.....	... X	
7 2 Av Bay Fans in Bay 1 or 2.....X...	
ELEC			
8 H2 Manf or TK leak (not in depleted tk(s) X	
9 2 MN Buses.....X...X
10 CNTL CA1 (No BFS Engage in GPC 3/5).....X...	
11 Multi Φ AC BUS (unshorted) X	
GNC			
12 1 MLS (if reqd), IMU, or GPS (C-band not avail).....	... X	
13 IMU Dilemma.....X...X
14 RHC Dilemma X	
15 2 IMUs (Not targeting EDW/NOR)X...	
16 2 ADTAs (Winds > 80kts or Dynamic Wx)....	... X	
HOOK VELCRO			HOOK VELCRO
17 2 FCS Channels (same surface) (Not targeting NOR/EDW) X	
18 2 AAs, RGAs (Not targeting EDW/NOR) X	
OMS			
19 Prplt Tank XX ①
20 Ignition (neither eng ignites).....	... X	
21 Both OMS Eng fail.....X ②
22 Prplt Lk after LAST LOS.....	perigee adjust		
AFT RCS			
23 2 jets, same direction, same pod X	
24 Prplt Lk after LAST LOS.....	... X	
25 1 AFT RCS PROP TK fail X	
COMM			
26 MCC GO for DEORBIT not rcvdX...	

① Stop Burn > OMS PRPLT FAIL HP (Ref: DEL PAD/BURN Card)
 ② Stop Burn > OMS ENG FAIL HP (Ref: DEL PAD/BURN Card)

DEORBIT BURN FLIGHT RULES
ONE-ORBIT LATE NOT AVAILABLE ENT-1b/127/D/A

FAILURE	PRE TIG	POST TIG
	Delay (max)	Stop Burn, > Safe HP
	One Day	
APU/HYD		
1 No APU operating X	
DPS		
2 RDNT fail, Split..... XX
3 1 GPC..... X	
4 BFS X	
5 GPC BITE (Multiple GPCs) X	
ECLS		
6 2 Av Bay Fans in Bay 3..... X	
7 2 Av Bay Fans in Bay 1 or 2..... X	
ELEC		
8 H2 Manf or TK leak (not in depleted tk(s) X	
9 2 MN Buses..... XX
10 CNTL CA1 (No BFS Engage in GPC 3/5)..... X	
11 Multi Φ AC BUS (unshorted) X	
GNC		
12 1 MLS (if reqd), IMU, or GPS (C-band not avail) X	
13 IMU Dilemma..... XX
14 RHC Dilemma X	
15 2 IMUs (Not targeting EDW/NOR) X	
16 2 ADTAs (Winds > 80kts or Dynamic Wx) X	
HOOK VELCRO		HOOK VELCRO
17 2 FCS Channels (same surface) (Not targeting NOR/EDW) X	
18 2 AAs, RGAs (Not targeting EDW/NOR) X	
OMS		
19 Prplt Tank..... XX ①
20 Ignition (neither eng ignites)..... XX ②
21 Both OMS Eng fail..... XX ②
22 Prplt Lk after LAST LOS.....	perigee adjust	
AFT RCS		
23 2 jets, same direction, same pod X	
24 Prplt Lk after LAST LOS..... X	
25 1 AFT RCS PROP TK fail X	
COMM		
26 MCC GO for DEORBIT not rcvd X	

① Stop Burn > OMS PRPLT FAIL HP (Ref: DEL PAD/BURN Card)
 ② Stop Burn > OMS ENG FAIL HP (Ref: DEL PAD/BURN Card)

DEORBIT BURN MONITOR

OMS TEMP* FU IN P \geq <table border="1" style="display: inline-table; vertical-align: middle;"><tr><td style="padding: 2px;">L</td><td style="padding: 2px;">R</td></tr><tr><td style="padding: 2px;">219</td><td style="padding: 2px;">220</td></tr><tr><td style="padding: 2px;">201</td><td style="padding: 2px;">208</td></tr></table> or No FU IN P	L	R	219	220	201	208	OMS ENG FAIL OMS PRPLT FAIL
L	R						
219	220						
201	208						
OMS PC* & OMS ↓ (BFS: $\sqrt{\text{accel}}$) ENG VLV 1 or 2 < 70 or OX IN P > 227 OX IN P \leq 227 or No OX IN P	OMS ENG FAIL OMS PRPLT FAIL						
OMS OX/FU TK P ($\sqrt{\text{ENG IN P}}$) OX/FU LOW OX & FU HIGH	He PRESS/VAP ISOL (two) – OP If aff TK P not incr: He PRESS/VAP ISOL (two) – CL At PC < 72 or OMS TEMP: OMS PRPLT FAIL He PRESS/VAP ISOL (two) – CL Cycle He A(B) to maintain TK P 234-284						
OMS GMBL PRI fail SEC fail	L(R) OMS GMBL – SEC If high RCS usage: OMS ENG FAIL						
GPC 1(4) & Burning OMS aff SEC GMBL lost 2 FAs lost	aff GPC PWR – OFF If SEC GMBL avail: aff MDM FF 1(4) – OFF,ON L(R) OMS GMBL – SEC If high RCS usage: OMS ENG FAIL $\sqrt{\text{MAN SHUTDN}}$						
I/O ERROR FA 1(4) 2 FAs lost	L(R) OMS GMBL – SEC ♦ I/O RESET (if recov: BFS I/O RESET) If high RCS usage: OMS ENG FAIL $\sqrt{\text{MAN SHUTDN}}$						
BCE STRG D 1(4)	I/O RESET (if recov: >>) If high RCS usage: L(R) OMS GMBL – SEC						
RM DLMA IMU or ABOVE SAFE HP \Rightarrow <table border="1" style="display: inline-table; vertical-align: middle;"><tr><td style="width: 20px; height: 15px;"></td><td style="width: 20px; height: 15px;"></td></tr></table> GPC SET SPLIT or 2 MN BUSES BELOW SAFE HP \Rightarrow			STOP BURN: OMS ENG(s) – OFF >> IMU DLMA: After C/O: $\sqrt{\text{timer}}$ G21 If any IMU ACC > 0.03: aff IMU – desel I'cnct OMS to RCS ($\sqrt{\text{RCS Burn Time}}$) THC +X to TGT HP (EOM) or 3.5 x timer at C/O (AOA) SET SPLIT: Go to "GPC" above				
I/O ERROR PCM	OI PCMMU PWR – 2(1)						

*If XFD, BLDN, or sensor fail, monitor ENG IN P for off-nominal performance

ENT-2a/127/A,O,D,E/A

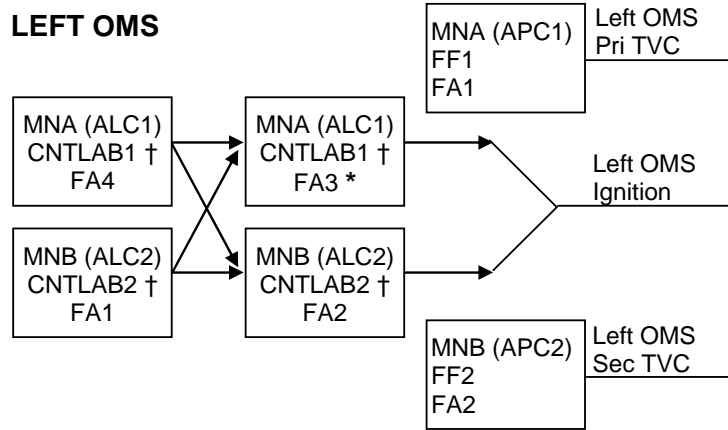
MS ONLY

FS 3-29

ENT/127/FIN

OMS FAILURES

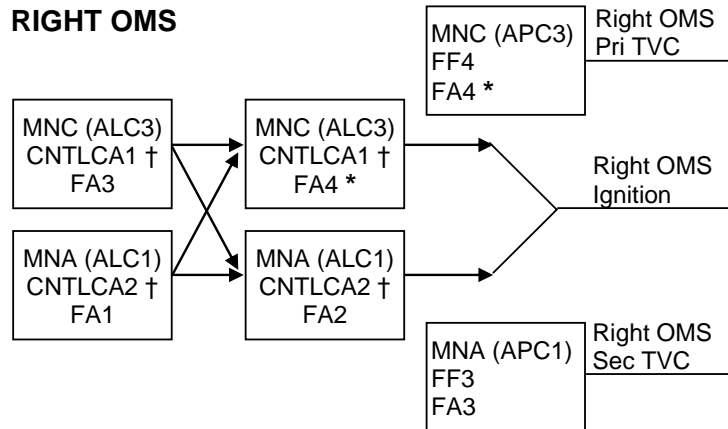
LEFT OMS



† If CNTL AB1 or AB2 (CA1 or CA2) failed and ign path still exists at OMS fail, assume L(R) OMS ↓ is PRPLT FAIL

* If L(R) P_C failed high during burn, or FA3(4) failed, at L(R) OMS fail, no guidance downmode after L(R) OMS ENG switch OFF (TGO slow, ADI needles in error, 6 ft/s underburn)

RIGHT OMS



If two FA MDMs lost		
MDMs	Preburn: ENG – OFF	During burn: MAN SHUTDN
1,2	LEFT (TVC)	BOTH
1,3	RIGHT (IGN)	LEFT
1,4	LEFT (IGN)	RIGHT
2,3	LEFT (IGN)	RIGHT
2,4	RIGHT (IGN)	LEFT
3,4	RIGHT (TVC)	BOTH

ENT-2b/127/A,O,D,E/A

MS ONLY

FS 3-30

ENT/127/FIN

1: GNC DEORB MNVR EXEC	2: GNC DEORB MNVR EXEC
3: BFS, GNC SYS SUMM 2	

- * **UNDERBURN** *
- * Determine ΔHP (CUR HP – TGT HP) *
- * Record prebank on ENTRY MANEUVERS Cue Card *

* PREBANK TABLE EDW (HA = 191 NM) *									
* EDW *									
ΔHP	0	4	7	11	REDES.	12	13	(14)	REDES.
PREBANK	0	75	100	120	NOR ELS	125	135	145	YR
* NOR					IF NOR NOGO				
* <u>G50</u> ITEM 41 +4 2, √RWY 17									
ΔHP		8	10	12	13	15	17	(18)	REDES.
PREBANK		95	105	115	120	130	150	165	YR
* YR									
* <u>G50</u> ITEM 41 +2 2, √RWY 26									
ΔHP					15	17	19	23	(26) 28
PREBANK					65	80	90	115	145 180
* PREBANK TABLE KSC (HA = 191 NM) *									
* KSC *									
ΔHP	0	3	5	7	9	11	13	(15)	REDES.
PREBANK	0	65	85	100	110	120	130	155	YQX
* YQX									
* <u>G50</u> ITEM 41 +2 1, √RWY 21									
ΔHP							16	22	(25) RED.
PREBANK							95	135	170 INN
* INN									
* <u>G50</u> ITEM 41 +2 6, √RWY 06									
ΔHP									26 28
PREBANK									135 180

127 oct11

1: GNC DEORB MNVR EXEC	2: GNC DEORB MNVR EXEC
3: BFS, GNC SYS SUMM 2	

C CRT1 **GNC, OPS 303 PRO**

1: GNC DEORB MNVR COAST	2: GNC DEORB MNVR COAST
-------------------------	-------------------------

C CRT1 √Uplinked INRTL EI-5 MM303 ATT with DEL PAD

- * If no deorbit TGT uplink, enter INRTL EI-5 *
- * MM303 ATT from DEL PAD *
- * R – ITEM 24 + _____ *
- * P – ITEM 25 + _____ *
- * Y – ITEM 26 + _____ *

Mnvr to EI-5 ATT – ITEM 27 EXEC (*)	TIME to EI (min)	LVLH PITCH (deg)
	20	339
		343
		347
* If UNDERBURN or no *		351
* DEL PAD, manually *		355
* mnvr to LVLH R 001, *	15	359
* Y 358, P per table *		3
		7
		11
		15
	10	19
		23
		27
		31
		35
	5	39

C **OMS GMBL PWRDN (PASS ONLY)**

CRT1 Verify GMBL positions:

	<u>L</u>	<u>R</u>
P	+5.9	+5.9
Y	+6.4	-6.4

GMBL OFF – ITEM 32 EXEC
– ITEM 33 EXEC

FLIGHT CONDITIONS	MANEUVER			
V = 7K	G50 √GPS, INCORPORATE * If ELS: UHF MODE – G T/R *			
V = 5K	ADTA PROBES – DEPLOY (√HEAT) Begin AIL and RUD trim monitoring			
M = 3.5	If previous OMS OX TK, He TK, or RCS OX TK leak: G51 VENT DOOR CNTL OPEN – ITEM 43 EXEC			
M = 2.7	√APUs HUD PWR (two) – ON			
* If M < 2.5; P CSS for ADTA to G&C incorp *				
M = 2.0	Ensure ADTA to G&C else √Theta limits			
M < 1.0	√R FLT CNTLR – ON P,R/Y – CSS as reqd √SPDBK CMD vs POS √NWS – 1 Lock Inertia Reels MAX N _z <table border="1" style="display: inline-table; vertical-align: middle;"><tr><td style="width: 20px; height: 15px;"></td><td style="width: 20px; height: 15px;"></td><td style="width: 20px; height: 15px;"></td></tr></table>			
M = 0.7	√LG EXTD ISO VLV – OP			
h = 15K	√MLS			
h = 10K	√A/L (KSC – Tabs, Visors, Suit O2)			
h = 2K	LDG GEAR ARM pb – push (ARM It on)			
h = 300	LDG GEAR DN pb – push (DN It on)			
MAIN GEAR TD	√SPDBK – 100%			
V = 195 KEAS	DRAG CHUTE ARM, DPY pb (two) – push (simo) (All Its on)			
V = 185 KEAS	DEROTATE			
NOSE GEAR TD	SRB SEP – MAN/AUTO and depress pb √Auto Load Relief √HYD BK ISOL VLV (three) – OP			
V < 120 KGS or 5K' remaining	BRAKE as required (8-10 fps ² , -0.25 to -0.3G)			
* If 5K' remaining and V > 140 KGS – MAX BRAKING *				
V = 60 KGS	DRAG CHUTE JETT pb – push (JETT1,JETT2 It on)			
V = 40 KGS	BRAKE < 6 fps ² (-0.2G) (Antiskid cutout)			
WHEEL STOP	Go to ENT C/L, <u>POST LANDING PROCEDURES</u>			

ENT-6b/127/E/A
(Partial)

MS ONLY

FS 4-5

ENT/127/FIN



This Page Intentionally Blank



MS ONLY

FS 4-6

ENT/127/FIN



DRAG CHUTE DEPLOY

MCC Call	Flight Condition
Early	Main Gear TD
NOMINAL	195 KEAS
Late	Post-Nose Gear TD Xwind DTO
Emergency Only	No Deploy Except CDR call
NO DEPLOY prior to MGTD > 230 KEAS < 80 KGS Xwind > 15 kts	

FAILED TIRE TECHNIQUE

Post-MGTD	P – AUTO
185 KEAS	Deploy drag chute
180 KEAS	√Auto derotation
NGTD	Max RHC roll away from failed tire

50K	/
38K	/
28K	/
20K	/
12K	/
7K	/
3K	/
1K	/
SURF	/

ENT-6b/127/E/A
(Partial)

ENTRY
MISC

This Page Intentionally Blank

MS ONLY

FS 4-8

ENT/127/FIN

ENTRY ALPHA

VR	α ref	R	H	Href	Rref
25	HI 40 LO 4427	400			
24	HI 40 LO 2608	246	-46	L79	
23	43 40 37 2149	239	-64	69	
22	43 40 37 1792	233	-83	63	
21	43 40 37 1510	227	-106	60	
20	43 40 37 1292	220	-123	59	
19	43 40 37 1115	213	-147	59	
18	43 40 37 970	206	-171	61	
17	43 40 37 856	200	-191	62	
16	43 40 37 764	193	-201		R63

KSC 15

MAX L/D	
M	α
3	17
2	15
1	12

(127 OCFR1 CY)

HOOK
VELCRO

ASC-14b/127/A,E/A

HOOK
VELCRO

HOOK
VELCRO

15	43 40 37	687	191	-118	61
14	43 40 37	616	185	-126	59
13	43 40 37	548	180	-135	58
12	43 40 37	485	176	-151	56
11	43 40 37	427	170	-193	55
10	41 38 35	371	164	-175	51
9	39 36 33	321	158	-209	46
8	37 34 31	276	152	-241	L41
7	33 30 27	229	143	-267	38
6	30 27 24	185	131	-270	39
5	26 23 20	142	118	-272	40
4	23 20 18	106	104	-264	41
3	19 16 15	74	90	-247	R35
2.5	14	61	82	-269	
2	12	50	76	-264	
1.5	10	38	67	-321	
1	8	27	52	-269	

HOOK VELCRO

MS ONLY

FS 4-9

ENT/127/FIN



This Page Intentionally Blank



MS ONLY

FS 4-10

ENT/127/FIN



1:	2:
3:	

POST LANDING PAYLOAD ACTIVITIES

N/A



This Page Intentionally Blank



CUE CARD
CONFIG

ENTRY CUE CARD CONFIG

FAB USE ONLY

FS 8-1

ENT/127/FIN

DEORBIT BURN FLIGHT RULES
ONE-ORBIT LATE AVAILABLE ENT-1a/127/D/A

FAILURE	PRE TIG		POST TIG
	Delay (max)		Stop Burn, > Safe HP
	One Orbit	One Day	
APU/HYD			
1 No APU operating X	
DPS			
2 RDNT fail, Split.....X...X
3 1 GPC.....	... X	
4 BFSX...	
5 GPC BITE (Multiple GPCs).....X...	
ECLS			
6 2 Av Bay Fans in Bay 3.....	... X	
7 2 Av Bay Fans in Bay 1 or 2.....X...	
ELEC			
8 H2 Manf or TK leak (not in depleted tk(s)).....	... X	
9 2 MN Buses.....X...X
10 CNTL CA1 (No BFS Engage in GPC 3/5).....X...	
11 Multi Φ AC BUS (unshorted) X	
GNC			
12 1 MLS (if reqd), IMU, or GPS (C-band not avail).....	... X	
13 IMU Dilemma.....X...X
14 RHC Dilemma X	
15 2 IMUs (Not targeting EDW/NOR)X...	
16 2 ADTAs (Winds > 80kts or Dynamic Wx)....	... X	
HOOK VELCRO			
17 2 FCS Channels (same surface) (Not targeting NOR/EDW) X	
18 2 AAs, RGAs (Not targeting EDW/NOR) X	
OMS			
19 Prplt Tank.....	... XX ①
20 Ignition (neither eng ignites).....	... X	
21 Both OMS Eng fail.....X ②
22 Prplt Lk after LAST LOS.....	perigee adjust		
AFT RCS			
23 2 jets, same direction, same pod X	
24 Prplt Lk after LAST LOS.....	... X	
25 1 AFT RCS PROP TK fail X	
COMM			
26 MCC GO for DEORBIT not rcvdX...	

① Stop Burn > OMS PRPLT FAIL HP (Ref: DEL PAD/BURN Card)
② Stop Burn > OMS ENG FAIL HP (Ref: DEL PAD/BURN Card)

(reduced copy)

TOP
BACK OF 'DEORBIT BURN FLIGHT RULES'

DEORBIT BURN FLIGHT RULES
ONE-ORBIT LATE NOT AVAILABLE ENT-1b/127/D/A

FAILURE	PRE TIG	POST TIG
	Delay (max)	Stop Burn, > Safe HP
	One Day	
APU/HYD		
1 No APU operating X	
DPS		
2 RDNT fail, Split..... XX
3 1 GPC..... X	
4 BFS X	
5 GPC BITE (Multiple GPCs)..... X	
ECLS		
6 2 Av Bay Fans in Bay 3..... X	
7 2 Av Bay Fans in Bay 1 or 2..... X	
ELEC		
8 H2 Manf or TK leak (not in depleted tk(s).....) X	
9 2 MN Buses..... XX
10 CNTL CA1 (No BFS Engage in GPC 3/5)..... X	
11 Multi Φ AC BUS (unshorted) X	
GNC		
12 1 MLS (if reqd), IMU, or GPS (C-band not avail) X	
13 IMU Dilemma..... XX
14 RHC Dilemma X	
15 2 IMUs (Not targeting EDW/NOR) X	
16 2 ADTAs (Winds > 80kts or Dynamic Wx) X	
HOOK VELCRO		HOOK VELCRO
17 2 FCS Channels (same surface) (Not targeting NOR/EDW) X	
18 2 AAs, RGAs (Not targeting EDW/NOR) X	
OMS		
19 Prplt Tank..... XX ①
20 Ignition (neither eng ignites)..... XX ②
21 Both OMS Eng fail..... XX ②
22 Prplt Lk after LAST LOS.....	perigee adjust	
AFT RCS		
23 2 jets, same direction, same pod X	
24 Prplt Lk after LAST LOS..... X	
25 1 AFT RCS PROP TK fail X	
COMM		
26 MCC GO for DEORBIT not rcvd X	

① Stop Burn > OMS PRPLT FAIL HP (Ref: DEL PAD/BURN Card)

② Stop Burn > OMS ENG FAIL HP (Ref: DEL PAD/BURN Card)

(reduced copy)

FAB USE ONLY

FS CC 8-3

ENT/127/FIN

TOP



✓MM302 ✓RCS SEL
 ✓RCS BURN CONFIG (L OMS I'CNCT)
 L,R OMS He PRESS/VAP ISOL A (two) – OP
 Wait 2 sec B (two) – OP
 ✓DAP – INRTL/DISC
 ADI – LVLH(REF)/MED/MED
 FLT CNTLR PWR (two) – ON

TIG THC +X (No Deorbit > TIG + :)
 Maintain PITCH ATT ERR ± 3°
 Monitor ΔVTOT:
 RCS I'CNCT TK SW at ΔVTOT =
 R OMS XFEED (two) – OP
 L OMS XFEED (two) – CL

OMS PRPLT LOW
 AFT RCS RECONFIG AT ΔVTOT =
 RCS COMPLETION

* **OMS PRPLT FAIL (MULTIPLE JETS FAIL OFF):** *
 * Secure aff OMS *
 * STOP BURN: *
 * SAFE APU_s – SHUT DN *
 * HP ----- *
 * CONTINUE BURN: *
 * ITEM 18 +0 EXEC *
 * Resel jets *
 * Interconnect good OMS to RCS *
 * THC +X (✓OMS% vs RCS Burn Time) *
 * AFT RCS RECONFIG *
 * RCS COMPLETION *
 * **RCS +X JET FAIL OFF:** *
 * STOP BURN: *
 * SAFE APU_s – SHUT DN *
 * HP ----- *
 * CONTINUE BURN: *
 * ITEM 18 +0 EXEC *
 * Resel jets *

ENT-3a/D/L

HINGE

(reduced copy)

FAB USE ONLY

FS CC 8-4

ENT/127/FIN

TOP
BACK OF 'ENTRY MANEUVERS'

	FLIGHT CONDITIONS	MANEUVER	MCC Call	Flight Condition	
HOOK VELCRO	V = 7K	<input type="checkbox"/> G50 √GPS, INCORPORATE * If ELS: UHF MODE – G T/R *	Early	Main Gear TD	
	V = 5K	ADTA PROBES – DEPLOY (√HEAT) Begin ALL and RUD trim monitoring	NOMINAL	195 KEAS	
	M = 3.5	If previous OMS OX TK, He TK, or RCS OX TK leak: <input type="checkbox"/> G51 VENT DOOR CNTL OPEN – ITEM 43 EXEC	Late	Post-Nose Gear TD Xwind DTO	
	M = 2.7	√APUs HUD PWR (two) – ON	Emergency Only	No Deploy Except CDR call	
	* If M < 2.5, P CSS for ADTA to G&C incorp *		NO DEPLOY		
	M = 2.0	Ensure ADTA to G&C else √Theta limits	prior to MGTD > 230 KEAS < 80 KGS Xwind > 15 kts		
	M < 1.0	√R FLT CNTLR – ON P,R/Y – CSS as reqd √SPDBK CMD vs POS √NWS – 1 Lock Inertia Reels MAX N ₂ <input style="width: 20px;" type="text"/> . <input style="width: 20px;" type="text"/>	FAILED TIRE TECHNIQUE		
	M = 0.7	√LG EXTD ISO VLV – OP	Post-MGTD	P – AUTO Deploy drag chute √Auto derotation Max RHC roll away from failed tire	
	h = 15K	√MLS	185 KEAS		
	h = 10K	√A/L (KSC – Tabs, Visors, Suit O2)	180 KEAS		
	h = 2K	LDG GEAR ARM pb – push (ARM It on)	NGTD		
	h = 300	LDG GEAR DN pb – push (DN It on)			
	MAIN GEAR TD	√SPDBK – 100%			
	V = 195 KEAS	DRAG CHUTE ARM, DPY pb (two) – push (simo) (All Its on)	50K	/	
	V = 185 KEAS	DEROTATE	38K	/	
NOSE GEAR TD	SRB SEP – MAN/AUTO and depress pb √Auto Load Relief √HYD BK ISOL VLV (three) – OP	28K	/		
V < 120 KGS or 5K' remaining	BRAKE as required (8-10 fps ² , -0.25 to -0.3G)	20K	/		
* If 5K' remaining and V > 140 KGS – MAX BRAKING *		12K	/		
V = 60 KGS	DRAG CHUTE JETT pb – push (JETT1,JETT2 It on)	7K	/		
V = 40 KGS	BRAKE < 6 fps ² (-0.2G) (Antiskid cutout)	3K	/		
WHEEL STOP	Go to ENT C/L, <u>POST LANDING PROCEDURES</u>	1K	/		
		SURF	/		

ENT-6b/127/E/A

(reduced copy)

FAB USE ONLY

FS CC 8-17

ENT/127/FIN

TOP

HOOK
VELCRO

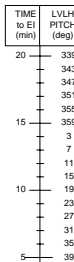
HOOK
VELCRO

ENTRY NO-GO CHECKLIST

FAILURE OF:	AERO PTI DTO	AUTO FCS MODE	XWIND DTC ①
APU/HYD: 1 APU.....			X
2 APUs.....			X
DISPLAYS: 2 ADIs.....	X		
CDR HUD.....			X ②
CONTROLLERS:			
RHC: 1L.....			X
2L & 2R.....	X		X
RPTA: 2L or 2R.....	X		X
SNC: 2 AAs (LAT).....	X	X ③	X
2 RAs.....	X (M < 2.5)		X
2 RAs (NORM).....		X ④	X
2 RAs.....			X
2 R DDU PWIR SPLY.....			X
2 IMU (or 1 IMU + BITE).....	X		X
2 ADTAs.....			X
ADTA NOT INCORP OR DLMA.....	X (M < 2)		X
MLS NOT INCORP.....	X (< 6K ft)		X
DPS: 2 FCS CH (same surface).....	X		X ⑤
1 GPC (not restrung).....			X ⑥
2 GPC (restrung).....	X	X ⑦	X ⑧
2 GPC (not restrung).....	X	X ⑨	X ⑩
1 FF.....	X		X
2 FF.....	X	X ⑪	X
RCS: 2 FA.....	X		X
LEAK (AFT - during ENT).....	X		X
2 YAW JETs (same side).....	X		X
MIN RCS QTY.....	X		X
TRIM: All > ± 2.0 deg.....	X		X
DOWNMODE:			
FCS problem.....	X	X	X
ADA.....	X		X
PLB: PLBD Latch Gang.....	X		X
LDC/DECEL:			
Tire Leak.....			X
HYD BRAKE ISOL VLV.....			X
< 100% Brake.....			X
NWS.....			X
ENERGY - OFF NOMINAL:			
Roll Ref Alert.....	X		X
Above Upper Traj Line.....	X		X
MCC GCA, or VEL & PSN update.....	X	X	X
No AL by 6K ft.....	X		X
DATA: SOLID STATE RECORDERS... X (LOS)			X
XWIND:			
< 10 Knots Peak.....			X
> 15 Knots Peak.....			X
> 10 Knots Gust.....			X
GROUND SYSTEMS:			
No Runway Aim Point.....			X

NOTES

- ① Consider runway redesignation (M > 6) to avoid Xwind landing
- ② GO if PAPI and BALL BAR available
- ③ Pitch AUTO mode NO-GO for M < 2.5
- ④ GO if only string 4 affected



ENT-7a/E/K

(reduced copy)

FAB USE ONLY

FS CC 8-18

ENT/127/FIN

TOP

HOOK
VELCRO

HOOK
VELCRO

**DEORBIT
BURN
MONITOR**

OMS TEMP* FU IN P	<table border="1"> <tr> <td></td> <td>L</td> <td>R</td> </tr> <tr> <td>≥</td> <td>219</td> <td>220</td> </tr> <tr> <td>≤</td> <td>201</td> <td>208</td> </tr> </table>		L	R	≥	219	220	≤	201	208	OMS ENG FAIL
	L	R									
≥	219	220									
≤	201	208									
or No FU IN P		OMS PRPLT FAIL									
OMS PC* & OMS ↓ (BFS: √accel) ENG VLV 1 or 2 < 70 or OX IN P > 227 OX IN P ≤ 227 or No OX IN P		OMS ENG FAIL									
		OMS PRPLT FAIL									
OMS OX/FU TK P (√ENG IN P) OX/FU LOW		He PRESS/VAP ISOL (two) – OP If aff TK P not incr: He PRESS/VAP ISOL (two) – CL At PC < 72 or OMS TEMP: OMS PRPLT FAIL									
OX & FU HIGH		He PRESS/VAP ISOL (two) – CL Cycle He A(B) to maintain TK P 234-284									
OMS GMBL	PRI fail SEC fail	L(R) OMS GMBL – SEC If high RCS usage: OMS ENG FAIL									
GPC	1(4) & Burning OMS aff	aff GPC PWR – OFF If SEC GMBL avail: aff MDM FF 1(4) – OFF,ON L(R) OMS GMBL – SEC									
	SEC GMBL lost 2 FAs lost	If high RCS usage: OMS ENG FAIL √MAN SHUTDN									
I/O ERROR FA	1(4)	L(R) OMS GMBL – SEC ♦ I/O RESET (if recov: BFS I/O RESET) If high RCS usage: OMS ENG FAIL									
	2 FAs lost	√MAN SHUTDN									
BCE STRG D	1(4)	I/O RESET (if recov: >>) If high RCS usage: L(R) OMS GMBL – SEC									
RM DLMA IMU or GPC SET SPLIT or 2 MN BUSES	ABOVE SAFE HP ⇒ <input type="checkbox"/> <input type="checkbox"/> BELOW SAFE HP ⇒	STOP BURN: OMS ENG(s) – OFF >> IMU DLMA: After C/O: √timer <input type="checkbox"/> G21 If any IMU ACC > 0.03: aff IMU – desel I'cnct OMS to RCS (√RCS Burn Time) THC +X to TGT HP (EOM) or 3.5 x timer at C/O (AOA) SET SPLIT: Go to "GPC" above									
I/O ERROR PCM		OI PCMMU PWR – 2(1)									

*If XFD, BLDN, or sensor fail, monitor ENG IN P for off-nominal performance

ENT-2a/127/A,O,D,E/A

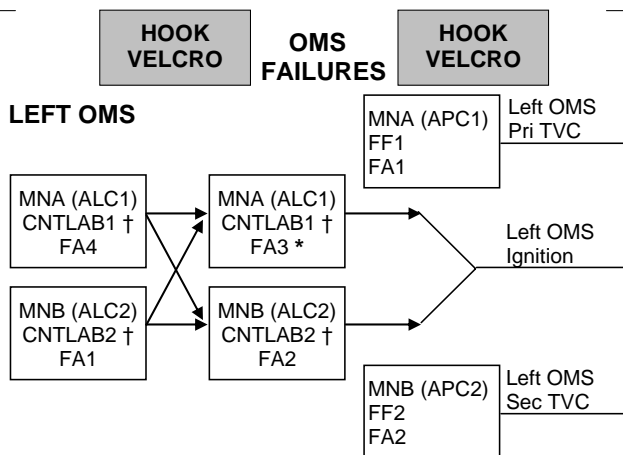
(reduced copy)

FAB USE ONLY

FS CC 8-23

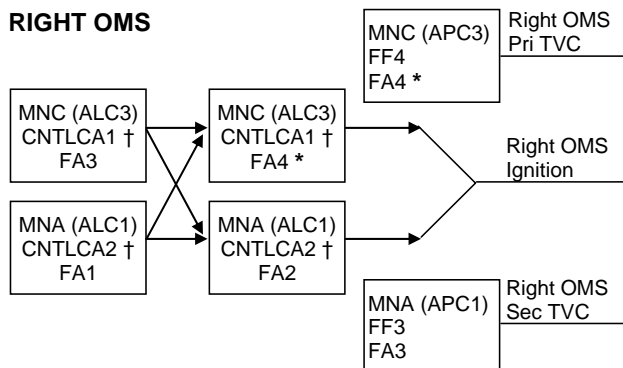
ENT/127/FIN

TOP
BACK OF 'DEORBIT BURN MONITOR'



† If CNTL AB1 or AB2 (CA1 or CA2) failed and ign path still exists at OMS fail, assume L(R) OMS ↓ is PRPLT FAIL

* If L(R) P_c failed high during burn, or FA3(4) failed, at L(R) OMS fail, no guidance downmode after L(R) OMS ENG switch OFF (TGO slow, ADI needles in error, 6 ft/s underburn)



If two FA MDMs lost		
MDMs	Preburn: ENG – OFF	During burn: MAN SHUTDN
1,2	LEFT (TVC)	BOTH
1,3	RIGHT (IGN)	LEFT
1,4	LEFT (IGN)	RIGHT
2,3	LEFT (IGN)	RIGHT
2,4	RIGHT (IGN)	LEFT
3,4	RIGHT (TVC)	BOTH

ENT-2b/127/A,O,D,E/A

(reduced copy)

FAB USE ONLY

FS CC 8-24

ENT/127/FIN

Space Shuttle Program
FLIGHT DATA FILE

JSC-48020-127
FINAL



ENTRY CHECKLIST

STS
127

Flight Cover (trim bottom to expose tabs)