

# Entry Checklist

## STS-133 Flight Supplement

---

**Mission Operations Directorate  
Flight Design and Dynamics Division**

**Final  
July 15, 2010**

National Aeronautics and  
Space Administration

**Lyndon B. Johnson Space Center**  
Houston, Texas





MISSION OPERATIONS DIRECTORATE


**ENTRY CHECKLIST  
STS-133 FLIGHT SUPPLEMENT**

FINAL  
July 15, 2010

PREPARED BY:

  
Gwendolyn D. Jordan-Moore  
Book Manager

APPROVED BY:

  
John W. Gowan *sp.*  
Lead Entry GPO

  
Barbara A. Conte  
Chief, Ascent/Descent  
Dynamics Branch

This document is under the configuration control of the Crew Procedures Control Board (CPCB). All proposed changes must be submitted via Change Request Workflow (CRW) to DO3/FDF Manager.

Additional distribution of this book, for official use only, may be requested in writing to DO3/PMO Administrator. The request must include justification and requester's name, organization, position, and phone number. Contractor requests are made through the NASA or DOD organization supported. Deletions, reduction in quantity, or change of address may be submitted to DO3/FDF Management Office, 281-244-1184.

Incorporates the following:
482#: NONE – Establishes baseline

AREAS OF TECHNICAL RESPONSIBILITY

Book Manager	DM43/G. Jordan-Moore	281-483-1261
Deorbit Burn to Entry Interface	DM43/G. Pogue	281-483-8067
Contingency Procedures and Entry Interface thru Rollout	DM43/G. Pogue	281-483-8067

NOTE

This Flight Supplement must be integrated into the generic Entry Checklist to have a complete document for flight. Insert the Flight Supplement (FS) pages in the proper numerical order in the generic Entry Checklist by using the List of Effective Pages (LOEP) which provides the sequence for merging pages to create a complete Entry Checklist.

ENTRY CHECKLIST  
STS-133 FLIGHT SUPPLEMENT

**LIST OF EFFECTIVE PAGES**

FINAL 07/15/10

Sign Off .....	* generic	3-9 .....	generic
ii .....	* generic	3-10 .....	generic
Sign Off .....	* 133/FIN	3-11 .....	generic
FS iv .....	* 133/FIN	3-12 .....	generic
v .....	* generic	3-13 .....	generic
vi .....	* generic	3-14 .....	generic
vii .....	* generic	FS 3-15 .....	133/FIN
viii .....	* generic	FS 3-16 .....	133/FIN
ix .....	* generic	FS 3-17 .....	133/FIN
x .....	* generic	FS 3-18 .....	133/FIN
FS xi .....	* 133/FIN	3-19 .....	generic
FS xii .....	* 133/FIN	3-20 .....	generic
FS xiii .....	* 133/FIN	3-21 .....	generic
FS xiv .....	* 133/FIN	3-22 .....	generic
xv .....	generic	3-23 .....	generic
xvi .....	generic	3-24 .....	generic
1-1 (3 pgs) .....	† generic	3-25 .....	generic
1-2 (3 pgs) .....	† generic	3-26 .....	generic
2-1 .....	generic	3-27 .....	generic
2-2 (6 pgs) .....	† generic	3-28 .....	generic
2-3 (6 pgs) .....	† generic	FS 3-29 .....	133/FIN
2-4 .....	generic	FS 3-30 .....	133/FIN
FS 2-5 .....	133/FIN	3-31 .....	generic
FS 2-6 .....	133/FIN	3-32 .....	generic
FS 3-1 .....	133/FIN	FS 3-33 .....	133/FIN
FS 3-2 .....	133/FIN	FS 3-34 .....	133/FIN
FS 3-3 .....	133/FIN	3-35 .....	generic
FS 3-4 .....	133/FIN	3-36 .....	generic
3-5 .....	generic	3-37 .....	generic
3-6 .....	generic	3-38 .....	generic
FS 3-7 .....	133/FIN	3-39 .....	generic
FS 3-8 .....	133/FIN	3-40 .....	generic

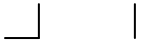
\* – Omit from flight book  
† – Extra pages in crew copy only

3-41.....	generic	5-23.....	generic
3-42.....	generic	5-24.....	generic
3-43.....	generic	6-1.....	generic
3-44.....	generic	6-2.....	generic
4-1.....	generic	6-3.....	generic
4-2.....	generic	6-4.....	generic
4-3.....	generic	7-1.....*	generic
4-4.....	generic	7-2.....*	generic
FS 4-5.....	133/FIN	FS 8-1.....*	133/FIN
FS 4-6.....	133/FIN	FS CC 8-2.....*	133/FIN
FS 4-7.....	133/FIN	FS CC 8-3.....*	133/FIN
FS 4-8.....	133/FIN	FS CC 8-4.....*	133/FIN
FS 4-9.....	133/FIN	CC 8-5.....*	generic
FS 4-10.....	133/FIN	CC 8-6.....*	generic
4-11.....	generic	CC 8-7.....*	generic
4-12.....	generic	CC 8-8.....*	generic
5-1.....	generic	CC 8-9.....*	generic
5-2.....	generic	CC 8-10.....*	generic
5-3.....	generic	CC 8-11.....*	generic
5-4.....	generic	CC 8-12.....*	generic
5-5.....	generic	CC 8-13.....*	generic
5-6.....	generic	CC 8-14.....*	generic
5-7.....	generic	CC 8-15.....*	generic
5-8.....	generic	CC 8-16.....*	generic
5-9.....	generic	FS CC 8-17.....*	133/FIN
5-10.....	generic	FS CC 8-18.....*	133/FIN
5-11.....	generic	CC 8-19.....*	generic
5-12.....	generic	8-20.....*	generic
5-13.....	generic	CC 8-21.....*	generic
5-14.....	generic	CC 8-22.....*	generic
5-15.....	generic	FS CC 8-23.....*	133/FIN
5-16.....	generic	FS CC 8-24.....*	133/FIN
5-17.....	generic		
5-18.....	generic		
FS 5-19.....	133/FIN		
FS 5-20.....	133/FIN		
5-21.....	generic		
5-22.....	generic		

\* – Omit from flight book

## ENTRY CUE CARDS

<u>Title</u>	<u>Ref. Page</u>	<u>Card No.</u>
DEORBIT BURN FLIGHT		
RULES (Front).....	FS CC 8-2	ENT-1a/133/D/A
(Back).....	FS CC 8-3	ENT-1b/133/D/A
DEORBIT BURN (RCS)		
(Front) .....	FS CC 8-4	ENT-3a/D/L
(Back).....	CC 8-6	generic
DEORBIT BURN (2 ENG)		
(Front) .....	CC 8-8	generic
DEORBIT BURN (1 ENG)		
(Back).....	CC 8-10	generic
UNBALANCED PRPLT		
DEORBIT BURN		
(Front) .....	CC 8-12	generic
DEORBIT BURN (MIXED		
XFEED) (Back).....	CC 8-14	generic
ENTRY MANEUVERS		
(Front) .....	CC 8-16	generic
(Back).....	FS CC 8-17	ENT-6b/133/E/A
ENTRY NO-GO CHECKLIST		
(Front) .....	FS CC 8-18	ENT-7a/E/K
EMERGENCY EGRESS		
(Back).....	CC 8-19	generic
ENTRY CONTROL		
(Front) .....	CC 8-21	generic
(Back).....	CC 8-22	generic
DEORBIT BURN MONITOR		
(Front) .....	FS CC 8-23	ENT-2a/133/A,O,D,E/A
OMS FAILURES (Back) ....	FS CC 8-24	ENT-2b/133/A,O,D,E/A



This Page Intentionally Blank







OMS/  
RCS ΔV

OMS/RCS ΔV

FS 2-5

ENT/133/FIN



**OMS He PRESS/ $\Delta$ V/BURN TIME**

**OMS/  
RCS  $\Delta$ V**

OMS% GAGE	OMS He Press *	OMS $\Delta$ V	RCS $\Delta$ V	RCS BURN MIN:SEC
50	3210	279	231	7:18
40	2810	218	181	5:42
38	2730	206	171	5:23
36	2650	194	161	5:04
34	2570	182	151	4:45
32	2490	169	141	4:26
30	2410	157	131	4:07
28	2330	145	121	3:48
26	2250	132	111	3:28
24	2170	120	100	3:09
22	2090	108	90	2:50
20	2010	95	80	2:31
18	1930	83	70	2:12
16	1850	71	59	1:52
14	1770	58	49	1:33
12	1690	46	39	1:13
10	1610	33	28	0:53
8	1530	21	18	0:34
6	1450	8	7	0:14
5	1410	2	2	0:04

\* He pressure not valid until 1 hr after last burn

<b><math>\Delta</math>V CAPABILITY</b>	
ARCS $\Delta$ V fps =	$\boxed{0.9} \times [L\% + R\% - \text{AFT QTY } 1]$
FRCS $\Delta$ V fps =	$\boxed{0.9} \times \text{FRCS } \%$
OMS $\Delta$ V fps =	$\boxed{6.1} \times \text{OMS } \%$

NOTE: Uses assumed vehicle weight of 216,125 lb



DEORBIT BURN

DEORBIT  
BURN



FS 3-1

ENT/133/FIN

**STS-133 LANDING SITE TABLE  
(50° to 63.5° INCLINATION)**

**DEORBIT  
BURN**

SITE	LOCATION	RWY	TACANS		MLS CH	LG	+ OVR RUN
				ITEM 5			
1	KSC	KSC 15 KSC 33	TTS 59Y	COF 97	8 6	15000 15000	1000 1000
2	BEN GUERIR	BEN 36 BEN 18	MAK 80 ■	CBA 116 ■	- -	13720 13220	0 1000
3	MORON AB	MRN 20 MRN 02	MRN 100	AOG 23	◆6 -	11730 11730	1000 1000
4	ZARAGOZA	ZZA 30L ZZA 12R	ZZA 64	ZAR 77 ■	◆6 -	12200 12200	1000 1010
5	MYRTLE BEACH	MYR 36 MYR 18	ILM 117	FLO 99	- -	9500 9500	1000 1000
6	WILMINGTON	ILM 06 ILM 24	ILM 117	DIW 107 ■	- -	7500 7500	0 0
7	CHERRY POINT	NKT 32L NKT 23R	EWN 83 ■	NCA 101	- -	7110 7100	800 880
8	OCEANA NAS	NTU 32R NTU 23L	NGU 86Y	ORF 116	- -	7500 11500	0 0
9	WALLOPS	WAL 28 WAL 04	SBY 49	SWL 71	- -	7510 8750	0 0
10	DOVER AFB	DOV 32 DOV 19	SIE 95	CYN 81	- -	12400 9100	0 0
11	ATLANTIC CITY	ACY 31 ACY 13	CYN 81	SIE 95	- -	9500 9500	0 0
12	BEN GUERIR	BEN 36 BEN 18	MAK 80 ■	CBA 116 ■	- -	13720 13220	0 1000
13	*MORON AB	MRN 20 MRN 02	MRN 100	AOG 23	◆6 -	11730 11730	1000 1000
14	*ZARAGOZA	ZZA 30L ZZA 12R	ZZA 64	ZAR 77 ■	◆6 -	12200 12200	1000 1010
15	GABRESKI	FOK 06 FOK 24	HTO 83	GON 45Y ■	- -	8500 8500	1000 1000

◆ Available for TAL Only

\* LO XRNG TAL Site

■ DME

Length after displaced threshold

**STS-133 LANDING SITE TABLE  
(50° to 63.5° INCLINATION)**

S I T E	LOCATION	RWY	TACANS		MLS CH	LG	+ OVR RUN
				ITEM 5			
16	CAPE COD CGAS	FMH 32 FMH 23	PVD 103	ACK 109 ■	- -	9000 7500	0 0
17	PEASE INT'L	PSM 34 PSM 16	ENE 118	BOS 74 ■	- -	10020 10020	0 0
18	HALIFAX INT'L	YHZ 23 YHZ 32	UAW 38	YHZ 98 ■	- -	8800 7700	0 0
19	STEPHEENVILLE	YJT 09 YJT 27	YJT 78	YDF 80 ■	- -	9500 9500	0 0
20	ST JOHNS INT'L	YYT 29 YYT 11	UYT 23	YYT 82 ■	- -	8500 8500	0 0
21	GANDER INT'L	YQX 21 YQX 31	YQX 74	IQX 32 ■	- -	9700 8900	0 0
22	GOOSE BAY	YYR 26 YYR 34	UYR 40	YYR 120 ■	- -	10550 9080	0 0
23	LAJES AB	LAJ 15 LAJ 33	TRM 109	LAJ 45	- -	10870 10870	970 990
24	BEJA AB	BEJ 01L BEJ 19R	MOJ 37	BEJ 105	- -	10820 10820	0 900
25	KEFLAVIK INT'L	IKF 20 IKF 29	KEF 57	HL 44 ■	- -	9520 9560	0 0
26	SHANNON	INN 06 INN 24	SHA 80 ■	CRK 93 ■	- -	9540 9540	0 0
27	FAIRFORD	FFA 27 FFA 09	FFA 81	BZN 56	- -	9490 9490	990 970
28	KOLN-BONN	KBO 14L KBO 32R	GIX 18	DOR 23Y ■	- -	12020 12020	0 0
29	ISTRES AB	FMI 33 FMI 15	◆FMI 16	NIM 53	◆6 -	11300 12300	3960 0
30	ESENBAGA	ESN 03R ESN 21L	BAG 78 ■	BUK 90 ■	- -	11800 11800	0 0

◆ Available for TAL Only

■ DME  
Length after displaced threshold

**STS-133 LANDING SITE TABLE  
(50° to 63.5° INCLINATION)**

S I T E	LOCATION	RWY	TACANS		MLS CH	LG	+ OVR RUN
				ITEM 5			
31	KING KHALED	KKI 15R KKI 33L	RIY 92	KIA 80	-	13300	0
					-	13300	0
32	DIEGO GARCIA	JDG 31 JDG 13	NKW 57	NKW 57	-	12000	950
					-	12000	950
33	AMBERLEY TINDAL RAAF	AMB 15 PTN 14	AMB 94 -	- TDL 70	-	9500	0
					-	8500	0
34	YOKOTA AB	JTY 36 JTY 18	SHT 19	NJA 98	-	11000	1000
					-	11000	1000
35	ANDERSEN AFB	GUA 06L GUA 24R	UAM 54	UNZ 105	-	10560	1050
					-	10560	1000
36	WAKE ISLAND	WAK 28 WAK 10	AWK 82	AWK 82	-	9340	0
					-	9340	0
37	HONOLULU	HNL 08R HNL 26L	HNL 95	NGF 93	-	11500	0
					-	11500	0
38	ELMENDORF	EDF 24 EDF 06	EDF 81	BGQ 72	-	9500	0
					-	9500	0
39	HAO ATOLL	HAO 12 HAO 30	HAO 85 ■	HAO 85 ■	-	10690	0
					-	10690	0
40	EDW TEMP	EDT 22R EDT 04L	EDW 111	LHS 21	8	12000	1000
					6	12000	1000
41	ASCENSION	HAW 13 HAW 31	ASI 59	ASI 59	-	9520	0
					-	9520	0
42	NORTHROP	NOR 17 NOR 23	SNG 121Y	HMN 92	6	15000	Lkbd
					6	15000	Lkbd
43	NORTHROP	NOR 05 NOR 35	SNG 121Y	HMN 92	-	15000	Lkbd
					-	15000	Lkbd
44	EDWARDS AFB	EDW 15 EDW 18L	EDW 111	LHS 21	-	16300	Lkbd
					-	15000	Lkbd
45	EDWARDS AFB	EDW 22 EDW 04	EDW 111	LHS 21	8/†	15020	0
					6	14020	1800

† MSBLS Jr. Ch 8 - Requires Uplink

■ DME  
Length after displaced threshold

1: GNC DEORB MNVR COAST	2: GNC 50 HORIZ SIT
3: BFS, GNC 50 HORIZ SIT	

**HORIZ SIT CONFIG**

ALTM – ITEM 9 + 

		.		
--	--	---	--	--

	<u>PASS ITEM</u>	<u>BFS ITEM</u>
PTI	INH √1	
LAND SITE (DEL PAD)	√41	√41
RWY (DEL PAD)	√3	√3
	√4	√4
TACAN (DEL PAD)	√5	√5
RA	blank √46	
TAEM TGT		
G&N	OVHD √6	blank
HSI	blank	blank
XEP	NEP √7	NEP √7
AIM (DEL PAD)	NOM √8	NOM √8
	(or CLSE)	or (CLSE)
SPDBK	NOM √39	
TAC	INH √20	INH √20
GPS	INH √43	INH √43
DRAG H	AUT √22	AUT √22
ADTA H	INH √26	INH √26
ADTA TO G&C	INH √29	AUT √28
DES any failed TACANs	√	√
TAC	DELTA √35	
AIF_G	INH √48	

- \* If BFS engaged: \*
- \* Set BFS HSD ITEMS to PASS config \*

**G51** SEL ATMOSPHERE:  
 incl ≤ 50° ITEM 22 EXEC  
 incl > 50° SEL ITEM NR (table)

Hemi	Jan	Feb	Mar	Apr	May	Jun	Jul	Aug	Sep	Oct	Nov	Dec
<b>N Desc</b>	23	23	23	23	22	24	24	24	22	23	23	23
<b>S Asc</b>	24	24	22	23	23	23	23	23	23	23	22	24
<b>N Asc</b>	22											
<b>S Desc</b>	22											

1: GNC DEORB MNVR COAST | 2: GNC 50 HORIZ SIT

3: GNC 51 OVERRIDE

√ELEVON AUTO – ITEM 17 (\*)

√SSME REPOS – ITEM 19 (ENA)

√WRAP MODE – ITEM 45 (ENA)

If PLB holding > 10K lb:

FILTER ALT – ITEM 21 EXEC (\*)

3: BFS, GNC 51 OVERRIDE

√ELEVON AUTO – ITEM 17 (\*)

√SSME REPOS – ITEM 19 (ENA)

√WRAP MODE – ITEM 45 (ENA)

If PLB holding > 10K lb:

√FILTER ALT – ITEM 21 (\*)

\* DES any failed/comm faulted \*

\* IMU, RGA, AA, or SURF feedback \*

2: GNC DEORB MNVR COAST

3: BFS, GNC DEORB MNVR COAST

√BFS GMBL sel config same as PASS GMBL  
sel config





**DEORBIT BURN CARDS**

**BURN  
CARDS**

MS ONLY

FS 3-15

ENT/133/FIN



**DEORBIT BURN FLIGHT RULES**  
**ONE-ORBIT LATE AVAILABLE** ENT-1a/133/D/A

**BURN CARDS**

FAILURE	PRE TIG		POST TIG
	Delay (max)		Stop Burn, > Safe HP
	One Orbit	One Day	
<b>APU/HYD</b>			
1 No APU operating .....	... X ...	.....	
<b>DPS</b>			
2 RDNT fail, Split.....	.....	...X...	.....X
3 1 GPC.....	... X ...	.....	
4 BFS .....	.....	...X...	
5 GPC BITE (Multiple GPCs) .....	.....	...X...	
<b>ECLS</b>			
6 2 Av Bay Fans in Bay 3.....	... X ...	.....	
7 2 Av Bay Fans in Bay 1 or 2.....	.....	...X...	
<b>ELEC</b>			
8 H2 Manf or TK leak (not in depleted tk(s) _____).....	... X ...	.....	
9 2 MN Buses.....	.....	...X...	.....X
10 CNTL CA1 (No BFS Engage in GPC 3/5).....	.....	...X...	
11 Multi $\Phi$ AC BUS (unshorted) .....	... X ...	.....	
<b>GNC</b>			
12 1 MLS (if reqd), IMU, or TACAN (C-band not avail).....	... X ...	.....	
13 IMU Dilemma.....	.....	...X...	.....X
14 RHC Dilemma .....	... X ...	.....	
15 2 IMUs (Not targeting EDW/NOR) .....	.....	...X...	
16 2 ADTAs (Winds>80kts or Dynamic Wx) .....	... X ...	.....	
<b>HOOK VELCRO</b>			<b>HOOK VELCRO</b>
17 2 FCS Channels (same surface) (Not targeting NOR/EDW) .....	... X ...	.....	
18 2 AAs, RGAs (Not targeting EDW/NOR) .....	... X ...	.....	
<b>OMS</b>			
19 Prplt Tank.....	... X ...	.....	.....X ①
20 Ignition (neither eng ignites).....	... X ...	.....	.....X ②
21 Both OMS Eng fail.....	.....	.....	.....X ②
22 Prplt Lk after LAST LOS.....	perigee adjust		
<b>AFT RCS</b>			
23 2 jets, same direction, same pod .....	... X ...	.....	
24 Prplt Lk after LAST LOS.....	... X ...	.....	
25 1 AFT RCS PROP TK fail .....	... X ...	.....	
<b>COMM</b>			
26 MCC GO for DEORBIT not rcvd .....	.....	...X...	

① Stop Burn > OMS PRPLT FAIL HP (Ref: DEL PAD/BURN Card)  
 ② Stop Burn > OMS ENG FAIL HP (Ref: DEL PAD/BURN Card)

**DEORBIT BURN FLIGHT RULES**  
**ONE-ORBIT LATE NOT AVAILABLE** ENT-1b/133/D/A

FAILURE	PRE TIG	POST TIG
	Delay (max)	Stop Burn, > Safe HP
	One Day	
<b>APU/HYD</b>		
1 No APU operating .....	..... X .....	
<b>DPS</b>		
2 RDNT fail, Split.....	..... X .....	.....X
3 1 GPC.....	..... X .....	
4 BFS .....	..... X .....	
5 GPC BITE (Multiple GPCs) .....	..... X .....	
<b>ECLS</b>		
6 2 Av Bay Fans in Bay 3.....	..... X .....	
7 2 Av Bay Fans in Bay 1 or 2.....	..... X .....	
<b>ELEC</b>		
8 H2 Manf or TK leak (not in depleted tk(s) .....	..... X .....	
9 2 MN Buses.....	..... X .....	.....X
10 CNTL CA1 (No BFS Engage in GPC 3/5).....	..... X .....	
11 Multi Φ AC BUS (unshorted) .....	..... X .....	
<b>GNC</b>		
12 1 MLS (if reqd), IMU, or TACAN (C-band not avail) .....	..... X .....	
13 IMU Dilemma.....	..... X .....	.....X
14 RHC Dilemma .....	..... X .....	
15 2 IMUs (Not targeting EDW/NOR) .....	..... X .....	
16 2 ADTAs (Winds>80kts or Dynamic Wx) .....	..... X .....	
<b>HOOK VELCRO</b>		<b>HOOK VELCRO</b>
17 2 FCS Channels (same surface) (Not targeting NOR/EDW) .....	..... X .....	
18 2 AAs, RGAs (Not targeting EDW/NOR) .....	..... X .....	
<b>OMS</b>		
19 Prplt Tank.....	..... X .....	.....X ①
20 Ignition (neither eng ignites).....	..... X .....	.....X ②
21 Both OMS Eng fail.....	..... X .....	.....X ②
22 Prplt Lk after LAST LOS.....	perigee adjust	
<b>AFT RCS</b>		
23 2 jets, same direction, same pod .....	..... X .....	
24 Prplt Lk after LAST LOS.....	..... X .....	
25 1 AFT RCS PROP TK fail .....	..... X .....	
<b>COMM</b>		
26 MCC GO for DEORBIT not rcvd .....	..... X .....	

① Stop Burn > OMS PRPLT FAIL HP (Ref: DEL PAD/BURN Card)

② Stop Burn > OMS ENG FAIL HP (Ref: DEL PAD/BURN Card)



## DEORBIT BURN MONITOR

<b>OMS TEMP*</b> FU IN P $\geq$ <table border="1" style="display: inline-table; vertical-align: middle;"> <tr><td style="padding: 2px;">L</td><td style="padding: 2px;">R</td></tr> <tr><td style="padding: 2px;">225</td><td style="padding: 2px;">220</td></tr> <tr><td style="padding: 2px;">205</td><td style="padding: 2px;">204</td></tr> </table> or No FU IN P	L	R	225	220	205	204	OMS ENG FAIL OMS PRPLT FAIL
L	R						
225	220						
205	204						
<b>OMS PC* &amp; OMS ↓</b> (BFS: $\sqrt{\text{accel}}$ ) ENG VLV 1 or 2 < 70 or OX IN P > 227 OX IN P $\leq$ 227 or No OX IN P	OMS ENG FAIL OMS PRPLT FAIL						
<b>OMS OX/FU TK P</b> ( $\sqrt{\text{ENG IN P}}$ ) OX/FU LOW  OX & FU HIGH	He PRESS/VAP ISOL (two) – OP If aff TK P not incr: He PRESS/VAP ISOL (two) – CL At PC < 72 or OMS TEMP: OMS PRPLT FAIL  He PRESS/VAP ISOL (two) – CL Cycle He A(B) to maintain TK P 234-284						
<b>OMS GMBL</b> PRI fail SEC fail	L(R) OMS GMBL – SEC If high RCS usage: OMS ENG FAIL						
<b>GPC</b> <b>1(4) &amp;</b> Burning OMS aff  SEC GMBL lost 2 FAs lost	aff GPC PWR – OFF If SEC GMBL avail: aff MDM FF 1(4) – OFF,ON L(R) OMS GMBL – SEC  If high RCS usage: OMS ENG FAIL  $\sqrt{\text{MAN SHUTDN}}$						
<b>I/O ERROR FA</b> <b>1(4)</b>  2 FAs lost	L(R) OMS GMBL – SEC  ♦ I/O RESET (if recov: BFS I/O RESET) If high RCS usage: OMS ENG FAIL  $\sqrt{\text{MAN SHUTDN}}$						
<b>BCE STRG D</b>  <b>1(4)</b>	I/O RESET (if recov: >>) If high RCS usage: L(R) OMS GMBL – SEC						
<b>RM DLMA IMU</b> or <b>ABOVE SAFE</b> HP $\Rightarrow$ <table border="1" style="display: inline-table; vertical-align: middle;"> <tr><td style="width: 20px; height: 15px;"></td><td style="width: 20px; height: 15px;"></td></tr> </table> <b>GPC SET SPLIT</b> or <b>2 MN BUSES</b> <b>BELOW SAFE</b> HP $\Rightarrow$			STOP BURN: OMS ENG(s) – OFF >>  IMU DLMA: After C/O: $\sqrt{\text{timer}}$ <b>G21</b> If any IMU ACC > 0.03: aff IMU – desel I'cnct OMS to RCS ( $\sqrt{\text{RCS Burn Time}}$ ) THC +X to TGT HP (EOM) or 3.5 x timer at C/O (AOA) SET SPLIT: Go to "GPC" above				
<b>I/O ERROR PCM</b>	OI PCMMU PWR – 2(1)						

\*If XFD, BLDN, or sensor fail, monitor ENG IN P for off-nominal performance

ENT-2a/133/A,O,D,E/A

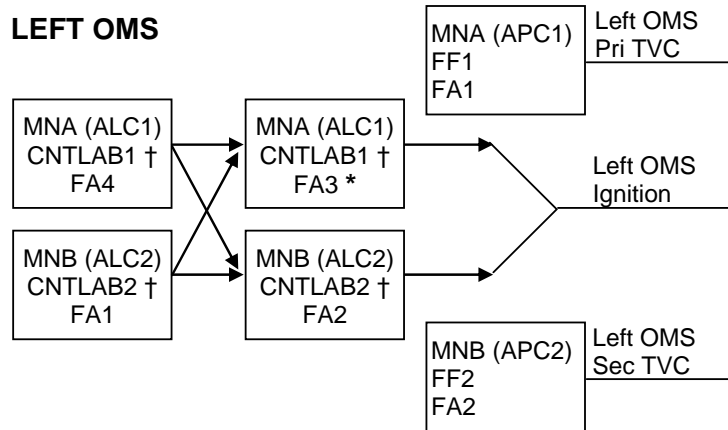
MS ONLY

FS 3-29

ENT/133/FIN

## OMS FAILURES

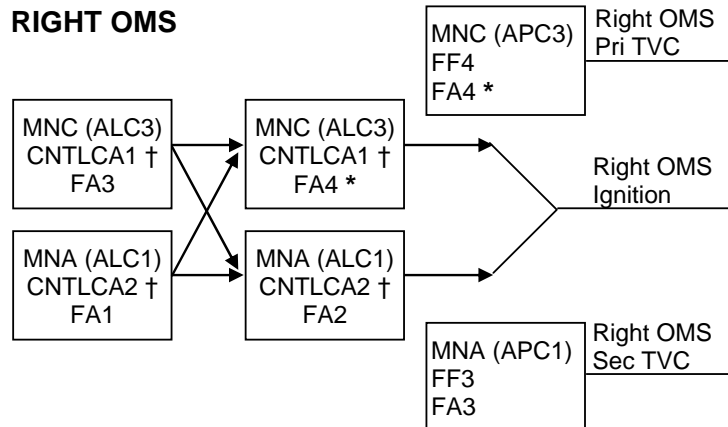
### LEFT OMS



† If CNTL AB1 or AB2 (CA1 or CA2) failed and ign path still exists at OMS fail, assume L(R) OMS ↓ is PRPLT FAIL

\* If L(R) P<sub>C</sub> failed high during burn, or FA3(4) failed, at L(R) OMS fail, no guidance downmode after L(R) OMS ENG switch OFF (TGO slow, ADI needles in error, 6 ft/s underburn)

### RIGHT OMS



If two FA MDMs lost		
MDMs	Preburn: ENG – OFF	During burn: MAN SHUTDN
1,2	LEFT (TVC)	BOTH
1,3	RIGHT (IGN)	LEFT
1,4	LEFT (IGN)	RIGHT
2,3	LEFT (IGN)	RIGHT
2,4	RIGHT (IGN)	LEFT
3,4	RIGHT (TVC)	BOTH

ENT-2b/133/A,O,D,E/A

MS ONLY

FS 3-30

ENT/133/FIN

1: GNC DEORB MNVR EXEC	2: GNC DEORB MNVR EXEC
3: BFS, GNC SYS SUMM 2	

- \* **UNDERBURN** \*
- \* Determine ΔHP (CUR HP – TGT HP) \*
- \* Record prebank on ENTRY MANEUVERS Cue Card \*

* <b>PREBANK TABLE EDW (HA = 201 NM)</b> *										
* <b>EDW</b> *										
ΔHP	0	3	6	9	12	REDES.	13	(14)	REDES.	
PREBANK	0	70	100	115	135	NOR ELS	150	170	YR	
<b>NOR</b>								IF NOR NOGO		
* <u>G50</u> ITEM 41 + <u>4</u> <u>2</u> , √RWY 17 SET TACAN tw (three) 121Y *										
ΔHP			10	11	12	13	15	17	(18)	REDES.
PREBANK			105	105	110	120	135	165	180	YR
* <b>YR</b> *										
* <u>G50</u> ITEM 41 + <u>2</u> <u>2</u> , √RWY 26 SET TACAN tw (three) 040X *										
ΔHP						15	19	22	24	(26) 28
PREBANK						65	90	105	125	145 180
* <b>PREBANK TABLE KSC (HA = 201 NM)</b> *										
* <b>KSC</b> *										
ΔHP	0	2	5	7	9	12	14	(15)	REDES.	
PREBANK	0	50	90	105	110	130	155	175	YQX	
* <b>YQX</b> *										
* <u>G50</u> ITEM 41 + <u>2</u> <u>1</u> , √RWY 21 SET TACAN tw (three) 074X *										
ΔHP							16	22	(25)	RED.
PREBANK							95	135	170	INN
* <b>INN</b> *										
* <u>G50</u> ITEM 41 + <u>2</u> <u>6</u> , √RWY 06 SET TACAN tw (three) 080X *										
ΔHP									26	28
PREBANK									135	180

133 of

1: GNC DEORB MNVR EXEC	2: GNC DEORB MNVR EXEC
3: BFS, GNC SYS SUMM 2	

C CRT1 **GNC, OPS 303 PRO**

1: GNC DEORB MNVR COAST	2: GNC DEORB MNVR COAST
-------------------------	-------------------------

C CRT1 √Uplinked INRTL EI-5 MM303 ATT with DEL PAD

- \* If no deorbit TGT uplink, enter INRTL EI-5 \*
- \* MM303 ATT from DEL PAD \*
- \* R – ITEM 24 + \_\_\_\_\_ \*
- \* P – ITEM 25 + \_\_\_\_\_ \*
- \* Y – ITEM 26 + \_\_\_\_\_ \*

Mnvr to EI-5 ATT – ITEM 27 EXEC (*)	TIME to EI (min)	LVLH PITCH (deg)
	20	339
		343
		347
* If UNDERBURN or no *		351
* DEL PAD, manually *		355
* mnvr to LVLH R 001, *	15	359
* Y 358, P per table *		3
		7
		11
		15
	10	19
		23
		27
		31
		35
	5	39

C **OMS GMBL PWRDN (PASS ONLY)**

CRT1 Verify GMBL positions:

	<u>L</u>	<u>R</u>
P	+5.9	+5.9
Y	+6.4	-6.4

GMBL OFF – ITEM 32 EXEC  
 – ITEM 33 EXEC



FLIGHT CONDITIONS	MANEUVER			
V = 7K	<b>G50</b> √TACAN and GPS, INCORPORATE * If ELS: UHF MODE – G T/R *			
V = 5K	ADTA PROBES – DEPLOY (√HEAT) Begin AIL and RUD trim monitoring			
M = 3.5	If previous OMS OX TK, He TK, or RCS OX TK leak: <b>G51</b> VENT DOOR CNTL OPEN – ITEM 43 EXEC			
M = 2.7	√APUs HUD PWR (two) – ON			
* If M < 2.5; P CSS for ADTA to G&C incorp *				
M = 2.0	Ensure ADTA to G&C else √Theta limits			
M < 1.0	√R FLT CNTLR – ON P,R/Y – CSS as reqd √SPDBK CMD vs POS      MAX N <sub>z</sub> <table border="1" style="display: inline-table; vertical-align: middle;"><tr><td> </td><td>.</td><td> </td></tr></table> √NWS – 1 Lock Inertia Reels		.	
	.			
M = 0.7	√LG EXTD ISO VLV – OP			
h = 15K	√MLS			
h = 10K	√A/L (KSC – Tabs, Visors, Suit O2)			
h = 2K	LDG GEAR ARM pb – push (ARM It on)			
h = 300	LDG GEAR DN pb – push (DN It on)			
MAIN GEAR TD	√SPDBK – 100%			
V = 195 KEAS	DRAG CHUTE ARM, DPY pb (two) – push (simo) (All Its on)			
V = 185 KEAS	DEROTATE			
NOSE GEAR TD	SRB SEP – MAN/AUTO and depress pb √Auto Load Relief √HYD BK ISOL VLV (three) – OP			
V < 120 KGS or 5K' remaining	BRAKE as required (8-10 fps <sup>2</sup> , -0.25 to -0.3G)			
* If 5K' remaining and V > 140 KGS – MAX BRAKING *				
V = 60 KGS	DRAG CHUTE JETT pb – push (JETT1,JETT2 It on)			
V = 40 KGS	BRAKE < 6 fps <sup>2</sup> (-0.2G) (Antiskid cutout)			
WHEEL STOP	Go to ENT C/L, <u>POST LANDING PROCEDURES</u>			

ENT-6b/133/E/A  
(Partial)

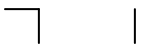
MS ONLY

FS 4-5

ENT/133/FIN



This Page Intentionally Blank



MS ONLY

FS 4-6

ENT/133/FIN



**DRAG CHUTE DEPLOY**

MCC Call	Flight Condition
Early	Main Gear TD
<b>NOMINAL</b>	<b>195 KEAS</b>
Late	Post-Nose Gear TD Xwind DTO
Emergency Only	No Deploy Except CDR call
NO DEPLOY prior to MGTD > 230 KEAS < 80 KGS Xwind > 15 kts	

**FAILED TIRE TECHNIQUE**

Post-MGTD	P – AUTO
185 KEAS	Deploy drag chute
180 KEAS	√Auto derotation
NGTD	Max RHC roll away from failed tire

50K	/
38K	/
28K	/
20K	/
12K	/
7K	/
3K	/
1K	/
SURF	/

ENT-6b/133/E/A  
(Partial)

ENTRY  
MISC

This Page Intentionally Blank

MS ONLY

FS 4-8

ENT/133/FIN

### ENTRY ALPHA

VR	$\alpha$	ref	R	H	Href	Rref
25	HI	40 LO	4404	400		
24	HI	40 LO	2596	248	-47	L79
23	43	40 37	2134	240	-64	69
22	43	40 37	1782	233	-84	63
21	43	40 37	1509	227	-106	60
20	43	40 37	1288	222	-124	R59
19	43	40 37	1114	214	-146	60
18	43	40 37	976	207	-169	62
17	43	40 37	862	200	-188	63
16	43	40 37	764	193	-201	65

## KSC 15

MAX L/D	
M	$\alpha$
3	17
2	15
1	12

(133 OCF CY)

HOOK  
VELCRO

ASC-14b/133/A,E/A

HOOK  
VELCRO

HOOK  
VELCRO

15	43	40 37	686	187	-118	64
14	43	40 37	613	183	-127	63
13	43	40 37	546	180	-136	60
12	43	40 37	484	175	-152	59
11	42	39 36	429	171	-192	L56
10	41	38 35	376	166	-174	47
9	39	36 33	327	160	-206	43
8	37	34 31	278	153	-238	39
7	33	30 27	230	143	-267	38
6	30	27 24	185	132	-272	40
5	26	23 20	142	119	-273	41
4	23	20 18	107	106	-262	R38
3	19	16 15	74	91	-248	35
2.5	14		61	83	-251	
2	13		50	78	-257	
1.5	10		39	69	-311	
1	8		28	54	-261	

HOOK VELCRO

MS ONLY

FS 4-9

ENT/133/FIN



This Page Intentionally Blank



MS ONLY

FS 4-10

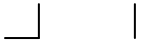
ENT/133/FIN



1:	2:
3:	

**POST LANDING PAYLOAD ACTIVITIES**

N/A



This Page Intentionally Blank





CUE CARD  
CONFIG

**ENTRY CUE CARD CONFIG**

FAB USE ONLY

FS 8-1

ENT/133/FIN

**DEORBIT BURN FLIGHT RULES**  
**ONE-ORBIT LATE AVAILABLE ENT-1a/133/D/A**

FAILURE	PRE TIG		POST TIG
	Delay (max)		Stop Burn, > Safe HP
	One Orbit	One Day	
<b>APU/HYD</b>			
1 No APU operating .....	... X ...	.....	
<b>DPS</b>			
2 RDNT fail, Split.....	.....	...X...	.....X
3 1 GPC.....	... X ...	.....	
4 BFS .....	.....	...X...	
5 GPC BITE (Multiple GPCs).....	.....	...X...	
<b>ECLS</b>			
6 2 Av Bay Fans in Bay 3.....	... X ...	.....	
7 2 Av Bay Fans in Bay 1 or 2.....	.....	...X...	
<b>ELEC</b>			
8 H2 Manf or TK leak (not in depleted tk(s) .....).....	... X ...	.....	
9 2 MN Buses.....	.....	...X...	.....X
10 CNTL CA1 (No BFS Engage in GPC 3/5).....	.....	...X...	
11 Multi $\Phi$ AC BUS (unshorted).....	... X ...	.....	
<b>GNC</b>			
12 1 MLS (if reqd), IMU, or TACAN (C-band not avail).....	... X ...	.....	
13 IMU Dilemma.....	.....	...X...	.....X
14 RHC Dilemma .....	... X ...	.....	
15 2 IMUs (Not targeting EDW/NOR) .....	.....	...X...	
16 2 ADTAs (Winds>80kts or Dynamic Wx).....	... X ...	.....	
<b>HOOK VELCRO</b>			<b>HOOK VELCRO</b>
17 2 FCS Channels (same surface) (Not targeting NOR/EDW) .....	... X ...	.....	
18 2 AAs, RGAs (Not targeting EDW/NOR) .....	... X ...	.....	
<b>OMS</b>			
19 Prplt Tank.....	... X ...	.....	.....X ①
20 Ignition (neither eng ignites).....	... X ...	.....	
21 Both OMS Eng fail.....	.....	.....	.....X ②
22 Prplt Lk after LAST LOS.....	perigee adjust		
<b>AFT RCS</b>			
23 2 jets, same direction, same pod .....	... X ...	.....	
24 Prplt Lk after LAST LOS.....	... X ...	.....	
25 1 AFT RCS PROP TK fail .....	... X ...	.....	
<b>COMM</b>			
26 MCC GO for DEORBIT not rcvd .....	.....	...X...	

① Stop Burn > OMS PRPLT FAIL HP (Ref: DEL PAD/BURN Card)

② Stop Burn > OMS ENG FAIL HP (Ref: DEL PAD/BURN Card)

(reduced copy)

TOP  
BACK OF 'DEORBIT BURN FLIGHT RULES'

**DEORBIT BURN FLIGHT RULES**  
**ONE-ORBIT LATE NOT AVAILABLE** ENT-1b/133/D/A

FAILURE	PRE TIG	POST TIG
	Delay (max)	Stop Burn, > Safe HP
	One Day	
<b>APU/HYD</b>		
1 No APU operating .....	..... X .....	
<b>DPS</b>		
2 RDNT fail, Split.....	..... X .....	.....X
3 1 GPC.....	..... X .....	
4 BFS .....	..... X .....	
5 GPC BITE (Multiple GPCs).....	..... X .....	
<b>ECLS</b>		
6 2 Av Bay Fans in Bay 3.....	..... X .....	
7 2 Av Bay Fans in Bay 1 or 2.....	..... X .....	
<b>ELEC</b>		
8 H2 Manf or TK leak (not in depleted tk(s) .....).....	..... X .....	
9 2 MN Buses.....	..... X .....	.....X
10 CNTL CA1 (No BFS Engage in GPC 3/5).....	..... X .....	
11 Multi $\Phi$ AC BUS (unshorted).....	..... X .....	
<b>GNC</b>		
12 1 MLS (if reqd), IMU, or TACAN (C-band not avail) .....	..... X .....	
13 IMU Dilemma.....	..... X .....	.....X
14 RHC Dilemma .....	..... X .....	
15 2 IMUs (Not targeting EDW/NOR) .....	..... X .....	
16 2 ADTAs (Winds>80kts or Dynamic Wx) .....	..... X .....	
<b>HOOK VELCRO</b>		<b>HOOK VELCRO</b>
17 2 FCS Channels (same surface) (Not targeting NOR/EDW) .....	..... X .....	
18 2 AAs, RGAs (Not targeting EDW/NOR) .....	..... X .....	
<b>OMS</b>		
19 Prplt Tank.....	..... X .....	.....X ①
20 Ignition (neither eng ignites).....	..... X .....	
21 Both OMS Eng fail.....	..... X .....	.....X ②
22 Prplt Lk after LAST LOS.....	perigee adjust	
<b>AFT RCS</b>		
23 2 jets, same direction, same pod .....	..... X .....	
24 Prplt Lk after LAST LOS.....	..... X .....	
25 1 AFT RCS PROP TK fail .....	..... X .....	
<b>COMM</b>		
26 MCC GO for DEORBIT not rcvd .....	..... X .....	

① Stop Burn > OMS PRPLT FAIL HP (Ref: DEL PAD/BURN Card)

② Stop Burn > OMS ENG FAIL HP (Ref: DEL PAD/BURN Card)

(reduced copy)

FAB USE ONLY

FS CC 8-3

ENT/133/FIN

TOP

HOOK  
VELCRO

DEORBIT  
BURN  
(RCS)

HOOK  
VELCRO

√MM302    √RCS SEL  
√RCS BURN CONFIG (L OMS I'CNCT)  
L,R OMS He PRESS/VAP ISOL A (two) – OP  
..... Wait 2 sec ..... B (two) – OP  
√DAP – INRTL/DISC  
ADI – LVLH(REF)/MED/MED  
FLT CNTLR PWR (two) – ON

TIG    THC +X (No Deorbit > TIG +  :  )  
Maintain PITCH ATT ERR ± 3°  
Monitor ΔVTOT:  
RCS I'CNCT TK SW at ΔVTOT =     
R OMS XFEED (two) – OP  
L OMS XFEED (two) – CL

**OMS PRPLT LOW**

AFT RCS RECONFIG AT ΔVTOT =     
RCS COMPLETION

**\* OMS PRPLT FAIL (MULTIPLE JETS FAIL OFF):**

*	Secure aff OMS	*
*		*
*	STOP BURN:	*
*	SAFE <input type="text"/> <input type="text"/> APU <sub>s</sub> – SHUT DN	*
*	HP -----	*
*	CONTINUE BURN:	*
*	ITEM 18 +0 EXEC	*
*	<input type="text"/> Resel jets	*
*	Interconnect good OMS to RCS	*
*	THC +X (√OMS% vs RCS Burn Time)	*
*	AFT RCS RECONFIG	*
*	RCS COMPLETION	*
*	<b>RCS +X JET FAIL OFF:</b>	*
*	STOP BURN:	*
*	SAFE <input type="text"/> <input type="text"/> APU <sub>s</sub> – SHUT DN	*
*	HP -----	*
*	CONTINUE BURN:	*
*	ITEM 18 +0 EXEC	*
*	<input type="text"/> Resel jets	*
*		*

ENT-3a/D/L

HINGE

(reduced copy)

FAB USE ONLY

FS CC 8-4

ENT/133/FIN

TOP  
BACK OF 'ENTRY MANEUVERS'

	FLIGHT CONDITIONS	MANEUVER	MCC Call	Flight Condition	
HOOK VELCRO	V = 7K	[G50] √TACAN and GPS, INCORPORATE * If ELS: UHF MODE – G T/R *	Early	Main Gear TD	
	V = 5K	ADTA PROBES – DEPLOY (√HEAT) Begin ALL and RUD trim monitoring	<b>NOMINAL</b>	195 KEAS	
	M = 3.5	If previous OMS OX TK, He TK, or RCS OX TK leak: [G51] VENT DOOR CNTL OPEN – ITEM 43 EXEC	Late	Post-Nose Gear TD Xwind DTO	
	M = 2.7	√APUs HUD PWR (two) – ON  * If M < 2.5: P CSS for ADTA to G&C incorp *	Emergency Only	No Deploy Except CDR call	
	M = 2.0	Ensure ADTA to G&C else √Theta limits	NO DEPLOY prior to MGTD > 230 KEAS < 80 KGS Xwind > 15 kts		
	M < 1.0	√R FLT CNTLR – ON P,R/Y – CSS as reqd √SPDBK CMD vs POS      MAX Nz <input type="text"/> . <input type="text"/> √NWS – 1 Lock Inertia Reels	<b>FAILED TIRE TECHNIQUE</b>		
	M = 0.7	√LG EXT ISO VLV – OP	Post-MGTD	P – AUTO 185 KEAS    Deploy drag chute 180 KEAS    √Auto derotation NGTD        Max RHC roll away from failed tire	
	h = 15K	√MLS	50K	/	
	h = 10K	√AL (KSC – Tabs, Visors, Suit O2)	38K	/	
	h = 2K	LDG GEAR ARM pb – push (ARM It on)	28K	/	
h = 300	LDG GEAR DN pb – push (DN It on)	20K	/		
MAIN GEAR TD	√SPDBK – 100%	12K	/		
V = 195 KEAS	DRAG CHUTE ARM, DPY pb (two) – push (simo) (All Its on)	7K	/		
V = 185 KEAS	DEROTATE	3K	/		
NOSE GEAR TD	SRB SEP – MAN/AUTO and depress pb √Auto Load Relief √HYD BK ISOL VLV (three) – OP	1K	/		
V < 120 KGS or 5K' remaining	BRAKE as required (8-10 fps <sup>2</sup> , -0.25 to -0.3G)  * If 5K' remaining and V > 140 KGS – MAX BRAKING *	SURF	/		
V = 60 KGS	DRAG CHUTE JETT pb – push (JETT1, JETT2 It on)				
V = 40 KGS	BRAKE < 6 fps <sup>2</sup> (-0.2G) (Antiskid cutout)				
WHEEL STOP	Go to ENT C/L, <u>POST LANDING PROCEDURES</u>				

ENT-6b/133/E/A

(reduced copy)

FAB USE ONLY

FS CC 8-17

ENT/133/FIN

TOP

HOOK  
VELCRO

HOOK  
VELCRO

**ENTRY NO-GO CHECKLIST**

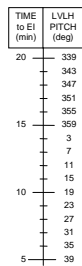
FAILURE OF:	AERO PTI DTO	AUTO FCS MODE	XWIND DTC ①
<b>APU/HYD:</b> 1 APU.....			X
2 APUs.....	X		X
<b>DISPLAYS:</b> 2 ADIs.....	X		
CDR HUD.....			X ②
<b>CONTROLLERS:</b>			
RHC: 1L.....			X
2L & 2R.....	X		X
RPTA: 2L or 2R.....	X		X
<b>GNC:</b> 2 AAs (LAT).....	X	X	X
2 AAs (NORM).....	X (M < 2.5)	X ③	X
2 RGAs.....	X		X
2 R DDU PWIR SPLY.....			X
2 IMU (or 1 IMU + BITE).....	X		X
2 ADTAs.....			X
ADTA NOT INCORP.....			X
OR OLMA.....	X (M < 2)		
MLS NOT INCORP.....	X (< 6K ft)		
<b>DPS:</b> 2 FCS CH (same surface).....	X		X ④
1 GPC (not restrung).....			X
2 GPC (restrung).....	X		X ④
2 GPC (not restrung).....	X	X ④	X ④
1 FF.....			X
2 FF.....	X	X ④	X
<b>RCS:</b> 2 FA.....	X		X
LEAK (AFT - during ENT).....	X		X
2 YAW JETs (same side).....	X		X
MIN RCS QTY.....	X		X
<b>TRIM:</b> All > ± 2.0 deg.....	X		X
<b>DOWNMODE:</b>			
FCS problem.....	X	X	X
ADA.....	X		X
<b>PLB:</b> PLBD Latch Gang.....	X		X
<b>LDG/DECEL:</b>			
Tire Leak.....			X
HYD BRAKE ISOL VLV.....			X
< 100% Brake.....			X
NWS.....			X
<b>ENERGY - OFF NOMINAL:</b>			
Roll Rate Alert.....	X		
Above Upper Traj Line.....	X		
MCC GCA, or VEL & PSN.....			X
update.....	X		X
No ALL by 6K ft.....	X		X
<b>DATA:</b> SOLID STATE RECORDERS... X (LOS)			X
<b>XWIND:</b>			
< 10 Knots Peak.....			X
> 15 Knots Peak.....			X
> 10 Knots Gust.....			X
<b>GROUND SYSTEMS:</b>			
No Runway Aim Point.....			X

HOOK  
VELCRO

HOOK  
VELCRO

HOOK  
VELCRO

HOOK  
VELCRO



- NOTES**
- ① Consider runway redesignation (M > 6) to avoid Xwind landing
  - ② GO if PAPI and BALL BAR available
  - ③ Pitch AUTO mode NO-GO for M < 2.5
  - ④ GO if only string 4 affected

ENT-7a/E/K

(reduced copy)

FAB USE ONLY

FS CC 8-18

ENT/133/FIN

TOP

HOOK  
VELCRO

HOOK  
VELCRO

**DEORBIT  
BURN  
MONITOR**

<b>OMS TEMP*</b>	<table border="1"> <tr> <td></td> <td>L</td> <td>R</td> </tr> <tr> <td>FU IN P ≥</td> <td>225</td> <td>220</td> </tr> <tr> <td>≤</td> <td>205</td> <td>204</td> </tr> </table>		L	R	FU IN P ≥	225	220	≤	205	204	<p>OMS ENG FAIL</p> <p>OMS PRPLT FAIL</p>
	L	R									
FU IN P ≥	225	220									
≤	205	204									
or No FU IN P											
<b>OMS PC* &amp; OMS ↓</b> (BFS: √accel)	<p>ENG VLV 1 or 2 &lt; 70</p> <p>or OX IN P &gt; 227</p> <p>OX IN P ≤ 227</p> <p>or No OX IN P</p>	<p>OMS ENG FAIL</p> <p>OMS PRPLT FAIL</p>									
<b>OMS OX/FU TK P</b> (√ENG IN P)	OX/FU LOW	<p>He PRESS/VAP ISOL (two) – OP</p> <p>If aff TK P not incr:</p> <p>He PRESS/VAP ISOL (two) – CL</p> <p>At PC &lt; 72 or OMS TEMP:</p> <p>OMS PRPLT FAIL</p>									
	OX & FU HIGH	<p>He PRESS/VAP ISOL (two) – CL</p> <p>Cycle He A(B) to maintain TK P 234-284</p>									
<b>OMS GMBL</b>	<p>PRI fail</p> <p>SEC fail</p>	<p>L(R) OMS GMBL – SEC</p> <p>If high RCS usage: OMS ENG FAIL</p>									
<b>GPC</b>	<p><b>1(4) &amp;</b></p> <p>Burning OMS aff</p> <p>SEC GMBL lost</p> <p>2 FAs lost</p>	<p>aff GPC PWR – OFF</p> <p>If SEC GMBL avail:</p> <p>aff MDM FF 1(4) – OFF,ON</p> <p>L(R) OMS GMBL – SEC</p> <p>If high RCS usage: OMS ENG FAIL</p> <p>√MAN SHUTDN</p>									
<b>I/O ERROR FA</b>	<b>1(4)</b>	<p>L(R) OMS GMBL – SEC</p> <p>♦I/O RESET (if recov: BFS I/O RESET)</p> <p>If high RCS usage: OMS ENG FAIL</p> <p>√MAN SHUTDN</p>									
<b>BCE STRG D</b>	<b>1(4)</b>	<p>I/O RESET (if recov: &gt;&gt;)</p> <p>If high RCS usage:</p> <p>L(R) OMS GMBL – SEC</p>									
<b>RM DLMA IMU</b>	<b>ABOVE SAFE</b>	<p>STOP BURN: OMS ENG(s) – OFF &gt;&gt;</p>									
or	HP ⇒ <input type="checkbox"/>										
<b>GPC SET SPLIT</b>											
or	<b>BELOW SAFE</b>	<p>IMU DLMA:</p> <p>After C/O: √timer <b>G21</b></p> <p>If any IMU ACC &gt; 0.03: aff IMU – desel</p> <p>I'cnct OMS to RCS (√RCS Burn Time)</p> <p>THC +X to TGT HP (EOM) or</p> <p>3.5 x timer at C/O (AOA)</p> <p>SET SPLIT: Go to "GPC" above</p>									
<b>2 MN BUSES</b>	HP ⇒										
<b>I/O ERROR PCM</b>		OI PCMMU PWR – 2(1)									

\*If XFD, BLDN, or sensor fail, monitor ENG IN P for off-nominal performance

ENT-2a/133/A,O,D,E/A

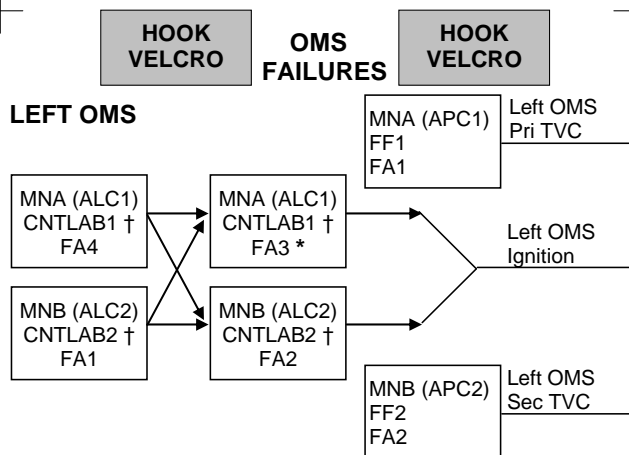
(reduced copy)

FAB USE ONLY

FS CC 8-23

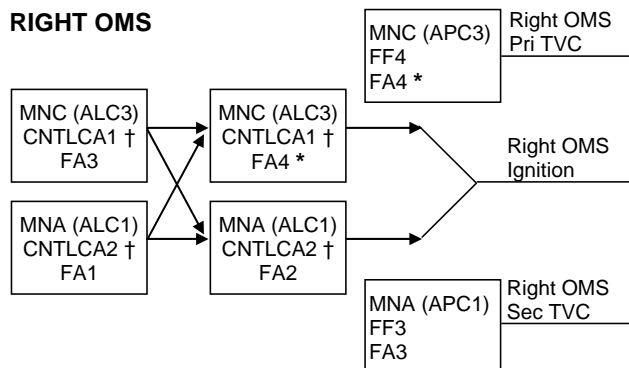
ENT/133/FIN

TOP  
BACK OF 'DEORBIT BURN MONITOR'



† If CNTL AB1 or AB2 (CA1 or CA2) failed and ign path still exists at OMS fail, assume L(R) OMS ↓ is PRPLT FAIL

\* If L(R) P<sub>c</sub> failed high during burn, or FA3(4) failed, at L(R) OMS fail, no guidance downmode after L(R) OMS ENG switch OFF (TGO slow, ADI needles in error, 6 ft/s underburn)



If two FA MDMs lost		
MDMs	Preburn: ENG – OFF	During burn: MAN SHUTDN
1,2	LEFT (TVC)	BOTH
1,3	RIGHT (IGN)	LEFT
1,4	LEFT (IGN)	RIGHT
2,3	LEFT (IGN)	RIGHT
2,4	RIGHT (IGN)	LEFT
3,4	RIGHT (TVC)	BOTH

ENT-2b/133/A,O,D,E/A

(reduced copy)

FAB USE ONLY

FS CC 8-24

ENT/133/FIN



Space Shuttle Program  
FLIGHT DATA FILE

JSC-48020-133  
FINAL



# ENTRY CHECKLIST

STS  
**133**

Flight Cover (trim bottom to expose tabs)