

Orbit Operations Checklist

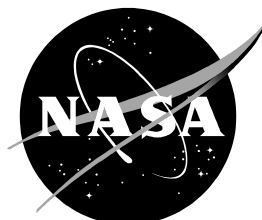
**Mission Operations Directorate
Operations Division**

**Generic, Rev K
November 22, 2004**

NOTE
For STS-114 and subsequent flights

National Aeronautics and
Space Administration

Lyndon B. Johnson Space Center
Houston, Texas



United Space Alliance

Verify this is the correct version for the pending operation (training, simulation or flight).
Electronic copies of FDF books are available. URL: <http://mod.jsc.nasa.gov/do3/FDF/index.html>

MISSION OPERATIONS DIRECTORATE

ORBIT OPERATIONS CHECKLIST

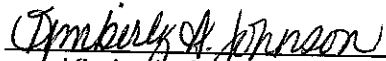
GENERIC, REVISION K
November 22, 2004

PREPARED BY:



CJ Gilson
Publication Manager

APPROVED BY:



Kimberly A. Johnson
Manager, Shuttle
Procedures Management



Michael T. Hurt
FDF Manager

This document is under the configuration control of the Crew Procedures Control Board (CPCB). All proposed changes must be submitted on FDF Workflow Crew Procedure Change Request (CR) to DO3/FDF Manager.

Additional distribution of this book, for official use only, may be requested in writing to DO3/FDF Manager. The request must include justification and requester's name, organization, position, and phone number. Contractor requests are made through the NASA or DOD organization supported. Deletions, reduction in quantity, or change of address may be submitted to DO3/FDF Management Office, 281-244-1184.

ORB OPS/ALL/GEN K

Incorporates the following:			
482#:	ORB OPS-2063A	ORB OPS-2079	ORB OPS-2088
	ORB OPS-2067C	ORB OPS-2080	ORB OPS-2089
	ORB OPS-2068A	ORB OPS-2081	ORB OPS-2090
	ORB OPS-2069	ORB OPS-2082	ORB OPS-2091
	ORB OPS-2070A	ORB OPS-2083	ORB OPS-2092
	ORB OPS-2071	ORB OPS-2084	ORB OPS-2093
	ORB OPS-2077	ORB OPS-2086	MUTLI-1668A
	ORB OPS-2078A	ORB OPS-2087	

AREAS OF TECHNICAL RESPONSIBILITY

Publication Manager	DO3/C. Gilson	281-483-2345
Alt Book Manager	DO3/H. Scott	281-483-0670

ORBIT OPERATIONS CHECKLIST

LIST OF EFFECTIVE PAGES

GENERIC 10/30/87

REV K 11/22/04

Sign Off.....	* ALL/GEN K	2-17.....	ALL/GEN K
ii.....	* ALL/GEN K	2-18.....	ALL/GEN K
iii.....	* ALL/GEN K	2-19.....	ALL/GEN K
iv.....	* ALL/GEN K	2-20.....	ALL/GEN K
v.....	* ALL/GEN K	2-21.....	ALL/GEN K
vi.....	* ALL/GEN K	2-22.....	ALL/GEN K
vii.....	* ALL/GEN K	3-1.....	ALL/GEN K
viii.....	* ALL/GEN K	3-2.....	ALL/GEN K
ix.....	* ALL/GEN K	3-3.....	ALL/GEN K
x.....	* ALL/GEN K	3-4.....	ALL/GEN K
xi.....	ALL/GEN K	3-5.....	ALL/GEN K
xii.....	ALL/GEN K	3-6.....	ALL/GEN K
xiii.....	ALL/GEN K	3-7.....	ALL/GEN K
xiv.....	ALL/GEN K	3-8.....	ALL/GEN K
xv.....	ALL/GEN K	3-9.....	ALL/GEN K
xvi.....	ALL/GEN K	3-10.....	ALL/GEN K
1-1.....	ALL/GEN K	3-11.....	ALL/GEN K
1-2.....	ALL/GEN K	3-12.....	ALL/GEN K
1-3.....	ALL/GEN K	3-13.....	ALL/GEN K
1-4.....	ALL/GEN K	3-14.....	ALL/GEN K
2-1.....	ALL/GEN K	3-15.....	ALL/GEN K
2-2.....	ALL/GEN K	3-16.....	ALL/GEN K
2-3.....	ALL/GEN K	3-17.....	ALL/GEN K
2-4.....	ALL/GEN K	3-18.....	ALL/GEN K
2-5.....	ALL/GEN K	3-19.....	ALL/GEN K
2-6.....	ALL/GEN K	3-20.....	ALL/GEN K
2-7.....	ALL/GEN K	3-21.....	ALL/GEN K
2-8.....	ALL/GEN K	3-22.....	ALL/GEN K
2-9.....	ALL/GEN K	3-23.....	ALL/GEN K
2-10.....	ALL/GEN K	3-24.....	ALL/GEN K
2-11.....	ALL/GEN K	3-25.....	ALL/GEN K
2-12.....	ALL/GEN K	3-26.....	ALL/GEN K
2-13.....	ALL/GEN K	3-27.....	ALL/GEN K
2-14.....	ALL/GEN K	3-28.....	ALL/GEN K
2-15.....	ALL/GEN K	3-29.....	ALL/GEN K
2-16.....	ALL/GEN K	3-30.....	ALL/GEN K

* – Omit from flight book

3-31.....	ALL/GEN K	5-35.....	ALL/GEN K
3-32.....	ALL/GEN K	5-36.....	ALL/GEN K
4-1.....	ALL/GEN K	5-37.....	<input checked="" type="checkbox"/> ALL/GEN K
4-2.....	ALL/GEN K	5-38.....	ALL/GEN K
4-3.....	ALL/GEN K	5-39.....	<input checked="" type="checkbox"/> ALL/GEN K
4-4.....	ALL/GEN K	5-40.....	ALL/GEN K
4-5.....	ALL/GEN K	5-41.....	ALL/GEN K
4-6.....	ALL/GEN K	5-42.....	<input checked="" type="checkbox"/> ALL/GEN K
4-7.....	ALL/GEN K	5-43.....	ALL/GEN K
4-8.....	ALL/GEN K	5-44.....	ALL/GEN K
5-1.....	ALL/GEN K	5-45.....	ALL/GEN K
5-2.....	ALL/GEN K	5-46.....	<input checked="" type="checkbox"/> ALL/GEN K
5-3.....	ALL/GEN K	5-47.....	ALL/GEN K
5-4.....	ALL/GEN K	5-48.....	ALL/GEN K
5-5.....	ALL/GEN K	5-49.....	ALL/GEN K
5-6.....	ALL/GEN K	5-50.....	ALL/GEN K
5-7.....	ALL/GEN K	5-51.....	ALL/GEN K
5-8.....	ALL/GEN K	5-52.....	ALL/GEN K
5-9.....	ALL/GEN K	5-53.....	ALL/GEN K
5-10.....	ALL/GEN K	5-54.....	ALL/GEN K
5-11.....	104,105/GEN K	6-1.....	ALL/GEN K
5-12.....	ALL/GEN K	6-2.....	ALL/GEN K
5-13.....	ALL/GEN K	6-3.....	ALL/GEN K
5-14.....	ALL/GEN K	6-4.....	ALL/GEN K
5-15.....	ALL/GEN K	6-5.....	ALL/GEN K
5-16.....	ALL/GEN K	6-6.....	ALL/GEN K
5-17.....	ALL/GEN K	6-7.....	ALL/GEN K
5-18.....	ALL/GEN K	6-8.....	ALL/GEN K
5-19.....	ALL/GEN K	6-9.....	ALL/GEN K
5-20.....	ALL/GEN K	6-10.....	ALL/GEN K
5-21.....	ALL/GEN K	6-11.....	ALL/GEN K
5-22.....	ALL/GEN K	6-12.....	ALL/GEN K
5-23.....	ALL/GEN K	6-13.....	ALL/GEN K
5-24.....	ALL/GEN K	6-14.....	ALL/GEN K
5-25.....	<input checked="" type="checkbox"/> ALL/GEN K	7-1.....	ALL/GEN K
5-26.....	ALL/GEN K	7-2.....	ALL/GEN K
5-27.....	ALL/GEN K	7-3.....	ALL/GEN K
5-28.....	ALL/GEN K	7-4.....	ALL/GEN K
5-29.....	ALL/GEN K	7-5.....	ALL/GEN K
5-30.....	ALL/GEN K	7-6.....	ALL/GEN K
5-31.....	ALL/GEN K	7-7.....	ALL/GEN K
5-32.....	ALL/GEN K	7-8.....	ALL/GEN K
5-33.....	ALL/GEN K	7-9.....	ALL/GEN K
5-34.....	ALL/GEN K	7-10.....	ALL/GEN K

– Prelift-off information required

7-11.....	ALL/GEN K	10-5.....	ALL/GEN K
7-12.....	ALL/GEN K	10-6.....	ALL/GEN K
7-13.....	ALL/GEN K	10-7.....	ALL/GEN K
7-14.....	ALL/GEN K	10-8.....	ALL/GEN K
7-15.....	ALL/GEN K	10-9.....	ALL/GEN K
7-16.....	ALL/GEN K	10-10.....	ALL/GEN K
7-17.....	ALL/GEN K	10-11.....	ALL/GEN K
7-18.....	ALL/GEN K	10-12.....	ALL/GEN K
7-19.....	ALL/GEN K	10-13.....	ALL/GEN K
7-20.....	ALL/GEN K	10-14.....	ALL/GEN K
7-21.....	ALL/GEN K	10-15.....	ALL/GEN K
7-22.....	ALL/GEN K	10-16.....	ALL/GEN K
7-23.....	ALL/GEN K	10-17.....	ALL/GEN K
7-24.....	ALL/GEN K	10-18.....	ALL/GEN K
TEMP 7-23.....	114/GEN K	10-19.....	ALL/GEN K
TEMP 7-24.....	ALL/GEN K	10-20.....	ALL/GEN K
7-25.....	ALL/GEN K	10-21 (4 pgs).... †	ALL/GEN K
7-26.....	ALL/GEN K	10-22 (4 pgs).... †	ALL/GEN K
7-27.....	ALL/GEN K	11-1.....	ALL/GEN K
7-28.....	ALL/GEN K	11-2.....	ALL/GEN K
7-29.....	ALL/GEN K	11-3.....	ALL/GEN K
7-30.....	ALL/GEN K	11-4.....	ALL/GEN K
7-31.....	ALL/GEN K	12-1.....	ALL/GEN K
7-32.....	ALL/GEN K	12-2.....	ALL/GEN K
7-33.....	ALL/GEN K	12-3.....	ALL/GEN K
7-34.....	ALL/GEN K	12-4.....	ALL/GEN K
7-35.....	ALL/GEN K	12-5.....	ALL/GEN K
7-36.....	ALL/GEN K	12-6.....	ALL/GEN K
7-37.....	ALL/GEN K	12-7.....	ALL/GEN K
7-38.....	ALL/GEN K	12-8.....	ALL/GEN K
7-39.....	ALL/GEN K	12-9.....	ALL/GEN K
7-40.....	ALL/GEN K	12-10.....	ALL/GEN K
8-1.....	ALL/GEN K	12-11..... ☒	ALL/GEN K
8-2.....	ALL/GEN K	12-12.....	ALL/GEN K
9-1.....	ALL/GEN K	12-13.....	ALL/GEN K
9-2.....	ALL/GEN K	12-14.....	ALL/GEN K
9-3.....	ALL/GEN K	12-15.....	ALL/GEN K
9-4.....	ALL/GEN K	12-16.....	ALL/GEN K
9-5 (3 pgs)..... †	ALL/GEN K	12-17.....	ALL/GEN K
9-6 (3 pgs)..... †	ALL/GEN K	12-18.....	ALL/GEN K
10-1.....	ALL/GEN K	12-19.....	ALL/GEN K
10-2.....	ALL/GEN K	12-20.....	ALL/GEN K
10-3.....	ALL/GEN K	12-21.....	ALL/GEN K
10-4.....	ALL/GEN K	12-22.....	ALL/GEN K

† – Extra pages in crew copy only

☒ – Prelift-off information required

12-23.....	ALL/GEN K	12-67.....	ALL/GEN K
12-24.....	ALL/GEN K	12-68.....	ALL/GEN K
12-25.....	ALL/GEN K	12-69.....	ALL/GEN K
12-26.....	ALL/GEN K	12-70.....	ALL/GEN K
12-27.....	ALL/GEN K	12-71.....	ALL/GEN K
12-28.....	ALL/GEN K	12-72.....	ALL/GEN K
12-29.....	ALL/GEN K	12-73.....	ALL/GEN K
12-30.....	ALL/GEN K	12-74.....	ALL/GEN K
12-31.....	ALL/GEN K	12-75.....	ALL/GEN K
12-32.....	ALL/GEN K	12-76.....	ALL/GEN K
12-33.....	ALL/GEN K	13-1.....	ALL/GEN K
12-34.....	ALL/GEN K	13-2.....	☒ ALL/GEN K
12-35.....	ALL/GEN K	13-3.....	ALL/GEN K
12-36.....	ALL/GEN K	13-4.....	☒ ALL/GEN K
12-37.....	ALL/GEN K	13-5.....	ALL/GEN K
12-38.....	ALL/GEN K	13-6.....	ALL/GEN K
12-39.....	ALL/GEN K	13-7.....	ALL/GEN K
12-40.....	ALL/GEN K	13-8.....	ALL/GEN K
12-41.....	ALL/GEN K	13-9.....	ALL/GEN K
12-42.....	ALL/GEN K	13-10.....	☒ ALL/GEN K
12-43.....	ALL/GEN K	13-11.....	ALL/GEN K
12-44.....	ALL/GEN K	13-12.....	☒ ALL/GEN K
12-45.....	☒ ALL/GEN K	13-13.....	ALL/GEN K
12-46.....	ALL/GEN K	13-14.....	ALL/GEN K
12-47.....	ALL/GEN K	13-15.....	ALL/GEN K
12-48.....	ALL/GEN K	13-16.....	ALL/GEN K
12-49.....	ALL/GEN K	14-1.....	ALL/GEN K
12-50.....	ALL/GEN K	14-2.....	ALL/GEN K
12-51.....	ALL/GEN K	14-3.....	ALL/GEN K
12-52.....	ALL/GEN K	14-4.....	ALL/GEN K
12-53.....	ALL/GEN K	15-1.....	* ALL/GEN K
12-54.....	ALL/GEN K	15-2.....	* ALL/GEN K
12-55.....	ALL/GEN K	CC 15-3.....	* ALL/GEN K
12-56.....	ALL/GEN K	CC 15-4.....	* ALL/GEN K
12-57.....	ALL/GEN K	CC 15-5.....	* ALL/GEN K
12-58.....	ALL/GEN K	CC 15-6.....	* ALL/GEN K
12-59.....	ALL/GEN K	CC 15-7.....	* ALL/GEN K
12-60.....	ALL/GEN K	CC 15-8.....	* ALL/GEN K
12-61.....	ALL/GEN K	CC 15-9.....	* ALL/GEN K
12-62.....	ALL/GEN K	CC 15-10.....	* ALL/GEN K
12-63.....	ALL/GEN K	CC 15-11.....	* ALL/GEN K
12-64.....	ALL/GEN K	CC 15-12.....	* ALL/GEN K
12-65.....	ALL/GEN K	CC 15-13.....	* ALL/GEN K
12-66.....	ALL/GEN K	CC 15-14.....	* ALL/GEN K

☒ – Prelift-off information required
 * – Omit from flight book

CC 15-15.....	*	ALL/GEN K
CC 15-16.....	*	ALL/GEN K
CC 15-17.....	*	ALL/GEN K
CC 15-18.....	*	ALL/GEN K
CC 15-19.....	*	ALL/GEN K
CC 15-20.....	*	ALL/GEN K
CC 15-21.....	*	ALL/GEN K
CC 15-22.....	*	ALL/GEN K
CC 15-23.....	*	ALL/GEN K
CC 15-24.....	*	ALL/GEN K
CC 15-25.....	*	ALL/GEN K
CC 15-26.....	*	ALL/GEN K
CC 15-27.....	*	ALL/GEN K
CC 15-28.....	*	ALL/GEN K
CC 15-29.....	*	ALL/GEN K
CC 15-30.....	*	ALL/GEN K
CC 15-31.....	*	ALL/GEN K
CC 15-32.....	*	ALL/GEN K
CC 15-33.....	*	ALL/GEN K
CC 15-34.....	*	ALL/GEN K
CC 15-35.....	*	ALL/GEN K
CC 15-36.....	*	ALL/GEN K
CC 15-37.....	*	ALL/GEN K
CC 15-38.....	*	ALL/GEN K
CC 15-39.....	*	ALL/GEN K
CC 15-40.....	*	ALL/GEN K
CC 15-41.....	*	ALL/GEN K
CC 15-42.....	*	ALL/GEN K
15-43.....		ALL/GEN K
15-44.....		ALL/GEN K

* – Omit from flight book

This Page Intentionally Blank

ORBIT OPS CUE CARDS

<u>Title</u>	<u>Ref. Page</u>	<u>Card No.</u>
WCCS COMM PLAN		
(Front).....	CC 15-3	ORB OPS-1a/O/B
(Back).....	CC 15-4	ORB OPS-1b/O/B
ORBIT SPEC (R11) (Front)	CC 15-5	ORB OPS-2a/O/I
PRIMARY C/W PARAMETER		
MATRIX (Back of ORBIT		
SPEC (R11)).....	CC 15-6	ORB OPS-2b/O/E
KU ANTENNA OVERLAY		
(COLOR MONITOR).....	CC 15-7	ORB OPS-4a/O/B
URINE COLLECTION		
(w/o UMS) (Front).....	CC 15-8	ORB OPS-5a/O/H
CONT WASTE COLLECTION –		
UCD/APOLLO BAG (Back of		
URINE COLLECTION		
(w/o UMS))	CC 15-9	ORB OPS-5b/O/G
URINE COLLECTION (w/UMS)		
(Front).....	CC 15-10	ORB OPS-6a/O/I
UMS CONT WASTE		
COLLECTION – UCD/APOLLO		
BAG (Back of URINE		
COLLECTION (w/UMS)).....	CC 15-11	ORB OPS-6b/O/H
EDO WCS URINE COLLECTION		
(Front).....	CC 15-12	ORB OPS-7a/O/D
EDO FECAL CANISTER		
CHANGEOUT (Back of EDO		
WCS URINE COLLECTION)....	CC 15-13	ORB OPS-7b/O/D
EDO WCS MANUAL		
COMPACTION		
(Front).....	CC 15-14	ORB OPS-8a/O/B
(Back).....	CC 15-15	ORB OPS-8b/O/B
PHOTO GRID OVERLAY	CC 15-16	ORB OPS-9a/O/B

ORBIT OPS CUE CARDS

<u>Title</u>	<u>Ref. Page</u>	<u>Card No.</u>
DUAL SHIFT ORBITER CO2		
ABSORBER REPLACEMENT		
(Front).....	CC 15-17	ORB OPS-11a/nonRCRS/B
(Back).....	CC 15-18	ORB OPS-11b/nonRCRS/B
(Front).....	CC 15-19	ORB OPS-12a/nonRCRS/B
(Back).....	CC 15-20	ORB OPS-12b/nonRCRS/B
(Front).....	CC 15-21	ORB OPS-13a/nonRCRS/B
(Back).....	CC 15-22	ORB OPS-13b/nonRCRS/B
(Front).....	CC 15-23	ORB OPS-14a/nonRCRS/B
(Back).....	CC 15-24	ORB OPS-14b/nonRCRS/B
(Front).....	CC 15-25	ORB OPS-15a/nonRCRS/B
(Back).....	CC 15-26	ORB OPS-15b/nonRCRS/B
(Front).....	CC 15-27	ORB OPS-16a/nonRCRS/B
(Back).....	CC 15-28	ORB OPS-16b/nonRCRS/B
(Front).....	CC 15-29	ORB OPS-17a/nonRCRS/B
(Back).....	CC 15-30	ORB OPS-17b/nonRCRS/B
(Front).....	CC 15-31	ORB OPS-18a/nonRCRS/B
(Back).....	CC 15-32	ORB OPS-18b/nonRCRS/B
SINGLE SHIFT ORBITER CO2		
ABSORBER REPLACEMENT		
(Front).....	CC 15-33	ORB OPS-19a/nonRCRS/B
(Back).....	CC 15-34	ORB OPS-19b/nonRCRS/B
(Front).....	CC 15-35	ORB OPS-20a/nonRCRS/B
(Back).....	CC 15-36	ORB OPS-20b/nonRCRS/B
(Front).....	CC 15-37	ORB OPS-21a/nonRCRS/B
(Back).....	CC 15-38	ORB OPS-21b/nonRCRS/B
(Front).....	CC 15-39	ORB OPS-22a/nonRCRS/B
(Back).....	CC 15-40	ORB OPS-22b/nonRCRS/B
URINE PRETREAT		
CHANGEOUT (Front)..	CC 15-41	ORB OPS-23a/O/D
URINE PRETREAT SETUP		
(Back of URINE PRETREAT CHANGEOUT).....	CC 15-42	ORB OPS-23b/O/D

<u>CONTENTS</u>	<u>PAGE</u>
<u>APU/HYDRAULICS</u>	1-1
APU HEATER RECONFIG	1-2
HYD ISOL VALVE REPOSITIONING	1-3
MANUAL CIRC PUMP 2 OPS.....	1-4
3 OPS.....	1-4
<u>COMM/INST</u>	2-1
<u>KU-BD ANT DEPLOY</u>	2-2
ACTIVATION.....	2-3
ANT STOW (CIL)	2-5
MANUAL ACQUISITION (COMM)	2-7
ANT JETTISON.....	2-8
PRE-SLEEP AUD CONFIG.....	2-11
POST-SLEEP AUD CONFIG	2-12
STD VLHS/HIU CONFIG (NO SPEAKER).....	2-13
S-BD/KU-BD PNL CONFIG	2-14
HANDHELD MIC/SPEAKER CONFIG.....	2-15
WCCS CONFIG	2-16
ICOM RECORDER OPS.....	2-17
LANDING-1 COMM C/O	2-18
COMM STRING 1 C/O	
(PART A: COMMAND TO STRING 1).....	2-20
COMM STRING 1 C/O	
(PART B: RETURN TO STRING 2).....	2-21
<u>CREW SYSTEMS</u>	3-1
PRE-SLEEP ACTIVITY	3-2
POST-SLEEP ACTIVITY.....	3-7
OCAC SETUP	3-11
STOWAGE.....	3-12
MAL.....	3-13
LiOH VOLUME INFLIGHT RECONFIG.....	3-14
TISSUE EQUIVALENT PROPORTIONAL	
COUNTER (TEPC).....	3-16
TEPC DISPLAY LOGSHEET	3-22
CYCLE ERGOMETER OPS.....	3-23
FORMALDEHYDE MONITORING KIT: FMK –	
OPERATIONS.....	3-31
<u>DPS</u>	4-1
G2 SET CONTRACTION	4-2
EXPANSION.....	4-4
TO G8 TRANSITION	4-6

G8 TO G2 TRANSITION	4-7
SM CHECKPOINT INITIATE.....	4-8
<u>ECLS</u>	5-1
SUPPLY/WASTE WATER DUMP.....	5-2
SUPPLY WATER DUMP USING FES	5-9
CABIN TEMP CONTROL.....	5-10
CO2 RMVL SYS CNTLR CONFIG:	
ACT 1/DEACT 2 (ACT 2/DEACT 1)	5-11
RAD BYPASS/FES C/O	5-12
MODIFIED RAD BYP/FES C/O AND TOPPING	
CORE FLUSH	5-13
RAD DEPLOY	5-15
STOW.....	5-17
PCS 1(2) CONFIG.....	5-19
TOPPING FES DEACTIVATION.....	5-20
STARTUP	5-21
SMOKE DETN CKT TEST	5-22
SHUTTLE/ISS H2O CONTAINER FILL (HC).....	5-25
CWC OVERBOARD DUMP	5-32
CABIN TEMP CONTROLLER	
RECONFIG – 2(1)	5-35
SHUTTLE CONDENSATE COLLECTION	5-36
PWR DUMP-WASTE LINE	5-37
DUMP-SUPPLY LINE	5-40
FILL.....	5-43
GALLEY IODINE REMOVAL ASSEMBLY (GIRA)	
INSTALLATION.....	5-46
GALLEY OVERNIGHT CONFIG	5-48
MORNING CONFIG	5-48
WATER SAMPLE.....	5-49
GIRA STOWAGE	5-50
NOMINAL H2O CONFIG.....	5-51
CWC VENTING.....	5-52
<u>EPS</u>	6-1
LAMP TEST	6-2
HEATER RECONFIG – CONFIG B(CONFIG A).....	6-5
FUEL CELL PURGE – AUTO, SM 2(4).....	6-6
– MANUAL	6-7
VI PERFORMANCE PLOT	6-8
CRYO O2 TK HTR SNSR CK	6-9
EDO PALLET CRYO O2 TK HTR SNSR CK	6-10
ACTIVATION.....	6-11

EDO PALLET DEACT	6-11
FC MONITORING SYS (FCMS) OPS.....	6-12
<u>GNC</u>	7-1
IMU ALIGN – S TRK, GNC 201,202,301	7-2
ALIGNMENT – IMU/IMU.....	7-4
S TRK SELF-TEST, GNC 201,202,301	7-5
IMU STAR OF OPPORTUNITY ALIGN	7-6
COAS CALIBRATION, GNC 201	7-7
HUD CALIBRATION, GNC 201.....	7-9
BORESIGHT DESIGNATION.....	7-12
FCS CHECKOUT	7-13
AFT CONTROLLER C/O.....	7-32
OMICRON SPECIFICATION	7-33
ELEVON PARK, GNC 201	7-34
GPS PWRUP	7-35
PWRDN	7-35
SELF-TEST, GNC 201,202,301,801	7-36
INCORPORATION	7-37
ELEVON POSITIONING FOR INSPECTION.....	7-38
<u>MPS</u>	8-1
MPS VACUUM INERT	8-2
<u>OMS</u>	9-1
ON-ORBIT OMS BURN	9-2
<u>RCS</u>	10-1
RCS HOT FIRE TEST	10-2
GG FREE DRIFT.....	10-6
PRCS PTC	10-8
VRCS PTC	10-9
ON-ORBIT +X RCS BURN, MM202	10-10
-X RCS BURN, MM202	10-13
MULTI-AXIS RCS BURN, MM202.....	10-15
LOSS OF VERNIERS	10-18
RECOVERY OF VERNIERS.....	10-19
RCS REGULATOR RECONFIG	10-20
<u>SEP MANEUVER</u>	11-1
SEP MANEUVER.....	11-2

<u>PGSC</u>	12-1
PGSC ACT.....	12-3
OCA, PROSHARE, AND PCMMU EXPANSION	
CARDS.....	12-7
PGSC HARD DISK LATE UPDATE	12-8
OCA SETUP.....	12-10
CABLE DIAGRAM	12-15
DOWNLINK VIA GROUND CMD	12-16
DIRECTORY STRUCTURE	12-17
FILENAMEES	12-18
KU-BAND (KFX) MANUAL DOWNLINK.....	12-19
S-BAND MODEM (MFX) ACTIVATION.....	12-20
SSR-1 REGAIN 2 GREEN LIGHTS	12-22
VIDEO CONFERENCING	12-23
PROSHARE CHALKBOARD	12-25
APPLICATION SHARING	12-26
OCA LOOPBACK TEST.....	12-27
CABLE DIAGRAM – LOOPBACK	12-28
PGSC NETWORK.....	12-29
NETWORK SETUP DIAGRAM	12-34
PCMCIA CARD REMOVAL.....	12-35
WINDECOM OPS	12-36
SETTING TIMES AND STATE VECTOR.....	12-41
WORLD MAP INITIALIZATION.....	12-43
COLOR PRINTER UNSTOW AND ASSEMBLE	12-45
WARMUP AND SELF-TEST	12-48
STOW	12-49
CHECK COLOR PRINTER SETTINGS	12-50
COLOR PRINTER PAPER JAM	12-50
INK CARTRIDGE CHANGEOUT	12-51
CLEANING PRINTER HEADS.....	12-53
PRINTER HEAD ALIGNMENT.....	12-54
EXECUTE PACKAGE PRINTING.....	12-55
PILOT WITH RHC	12-56
RHC SETUP DIAGRAM	12-60
WITHOUT RHC	12-61
UPDATING SpOC APPLICATIONS USING	
OCA DATA DISKETTE (ODD)	12-63
PGSC HARD DISK SWAP	12-64
SWAP ON EXPANSION UNIT	12-65
DEACT	12-66
WINDOWS KEYBOARD REF	12-67
WORLD MAP KEYBOARD REF	12-71
PGSC STATE VECTOR UPDATE WITHOUT PCMMU	
DATA.....	12-72

RELOAD STS PGSC	12-73
RECONFIGURE OCA/KFX FOR KU CHANNEL 3(2)	12-73
UMBILICAL WELL TPS CAMERA IMAGERY DOWNLOADING	12-74
 <u>COMPOUND SPECIFIC ANALYZER – COMBUSTION</u>	
<u>PRODUCTS (CSA-CP)</u>	13-1
COMPOUND SPECIFIC ANALYZER – COMBUSTION PRODUCTS CHECKOUT AND ZERO CALIBRATION OPS	13-2
PASSIVE SAMPLING WITH DATA LOGGING	13-5
ACTIVE SAMPLING WITH PUMP AND DATA LOGGING	13-7
CSA-CP BATTERY CHANGEOUT	13-9
SAMPLING PUMP BATTERY CHANGEOUT	13-11
ZERO CALIBRATION	13-12
DATA LOGGER ACTIVATION/DEACTIVATION	13-14
ALARM DISABLE/ENABLE	13-15
DATA RECORDING TABLE	13-16
 <u>SHUTTLE AUDIO DOSIMETER</u>	
ACTIVATION	14-1
SOUND LEVEL METER (SLM) MODE	14-2
Lavg/Leq MODE	14-3
DEACTIVATION	14-4
 <u>CUE CARD CONFIGURATION</u>	
CREW SYSTEMS REFERENCE	15-43



This Page Intentionally Blank



APU/HYDRAULICS

APU HEATER RECONFIG	1-2
HYD ISOL VALVE REPOSITIONING	1-3
MANUAL CIRC PUMP 2 OPS	1-4
3 OPS	1-4

APU/
HYD

APU/
HYD

APU HEATER RECONFIG

A12	APU HTR GAS GEN/FUEL PUMP (three)	- B AUTO
	LUBE OIL LN (three)	- B AUTO
	APU HTR TK/FU LN/H2O SYS 1B,2B,3B (three)	- AUTO
	APU HTR TK/FU LN/H2O SYS 1A,2A,3A (three)	- OFF

HYD ISOL VALVE REPOSITIONING

SM 87 HYD THERMAL

NOTE

LG EXTEND ISOL VLV should
not be opened on orbit

CAUTION

If CIRC PUMP P (HYD PRESS)
< 100 psia 30 sec after pump on,
CIRC PUMP – OFF

If HYD System 2:

- R1 MN BUS TIE A – ON
B – OFF
- R2 HYD CIRC PUMP 2 – ON
Wait 10 sec
- R4 HYD BRAKE ISOL VLV 2 tb – OP(CL)
Hold 5 sec, \sqrt{tb} – OP(CL)
- R2 HYD CIRC PUMP 2 – GPC
- R1 MN BUS TIE B – ON
A – OFF

- R2 HYD CIRC PUMP X – ON
Wait 10 sec
- R4 HYD BRAKE ISOL VLV X – OP(CL)
Hold 5 sec, \sqrt{tb} – OP(CL)
or
HYD MPS/TVC ISOL VLV X – OP(CL)
Hold 5 sec, \sqrt{tb} – OP(CL)
- R2 HYD CIRC PUMP X – GPC

MANUAL CIRC PUMP 2 OPS

- R1 MN BUS TIE A – ON
B – OFF
- R2 HYD CIRC PUMP 2 – ON
Wait 30 min
HYD CIRC PUMP 2 – GPC
- R1 MN BUS TIE B – ON
A – OFF

MANUAL CIRC PUMP 3 OPS

- R1 MN BUS TIE B – ON
A – OFF
- R2 HYD CIRC PUMP 3 – ON
Wait 30 min
HYD CIRC PUMP 3 – GPC
- R1 MN BUS TIE A – ON
B – OFF

COMM/INST

KU-BD ANT DEPLOY	2-2
ACTIVATION	2-3
ANT STOW (CIL)	2-5
MANUAL ACQUISITION (COMM)	2-7
ANT JETTISON	2-8
PRE-SLEEP AUD CONFIG	2-11
POST-SLEEP AUD CONFIG	2-12
STD VLHS/HIU CONFIG (NO SPEAKER)	2-13
S-BD/KU-BD PNL CONFIG	2-14
HANDHELD MIC/SPEAKER CONFIG	2-15
WCCS CONFIG	2-16
ICOM RECORDER OPS	2-17
LANDING-1 COMM C/O	2-18
COMM STRING 1 C/O	
(PART A: COMMAND TO STRING 1)	2-20
COMM STRING 1 C/O	
(PART B: RETURN TO STRING 2)	2-21

**COMM/
INST**

COMM/
INST

KU-BD ANT DEPLOY

A1U √KU BD PWR – OFF
 CNTL – PNL
R13L √KU ANT (direct) STO – OFF

PL BAY MECH PWR SYS 1,2 (two) – ON
KU ANT – DPY

- * If tb not DPY after 46 sec, *
- * KU ANT – GND *
- * Perform MAL, MECH, 9.3a *

When KU ANT tb – DPY (~23 to 46 sec),
KU ANT – GND

PL BAY MECH PWR SYS 1,2 (two) – OFF

CRT SELF TEST – ITEM 7 EXEC (no *)

A1U KU BD MODE – COMM
sel – GPC DESIG
CNTL – CMD

KU-BD ANT STOW

R13L	√PL BAY MECH PWR SYS 1,2 (two) – OFF
A1U	√CNTL – CMD
	KU BD PWR – ON
	MODE – RDR PASSIVE
	CNTL – PNL
	KU BD sel – MAN SLEW
A2	√DIGI DIS SEL – EL/AZ
A1U	SLEW RATE – as reqd
	SLEW ELEV – as reqd
A2	R/EL ind: -27.0 (± 1°)
A1U	SLEW AZM – as reqd
A2	RR/AZM ind: -123.0 (± 1°)

LOCK GIMBALS

NOTE

KU ANT sw must remain in STOW until
STOW DEPLOYED ASSEMBLY complete

DAP: VERN(FREE)

R13L	KU ANT – STO
A2	√R/EL ind: -29.0 (± 1°)
	√RR/AZM ind: -125.0 (± 1°)
00:00	Start Event Timer
A2	Monitor KU ANT gimbal angles for 50 sec (gimbal lock test), then:
	* If KU ANT gimbal movement occurs *
	* within 50 sec, and/or if gimbal *
	* angles incorrect after 50 sec, *
	* perform MAL, <u>MECH</u> , 9.3c *

DAP: as reqd

Cont next page

STOW DEPLOYED ASSEMBLY

R13L PL BAY MECH PWR SYS 1,2 (two) – ON
√KU ANT tb – STO (~23 to 46 sec)

* If tb not STO after 46 sec, *
* perform MAL, MECH, 9.3b *

A1U KU BD PWR – OFF (Expect ‘BCE BYP KU’ |
msg)

R14:C cb MNB KU ELEC – op
MNC KU SIG PROC – op

R13L PL BAY MECH PWR SYS 1,2 (two) – OFF
KU ANT – GND

OCA If not in D/O Prep,
go to OCA S-BAND MODEM (MFX)
ACTIVATION (PGSC)

KU-BD MANUAL ACQUISITION (COMM)

1. SETUP

A2	√DIGI DIS SEL	– EL/AZ
A1U	KU BD sel	– AUTO TRACK
	√PWR	– ON
	MODE	– COMM
	√SIG PROC HDR sel	– TV
	√LDR sel	– OPS RCDR
	CNTL	– PNL
	√SIG STR	– KU
	SLEW RATE	– as reqd
	√KU BD SCAN WARN tb	– bp
	√TRACK tb	– bp
	√SEARCH tb	– bp

2. ANTENNA STEERING

NOTE

ANT will not LOCK/TRACK
when slewing in FAST RATE

SM ANTENNA

A1U,CRT,
A2 Use SLEW AZ and SLEW ELEV sw as reqd to
position antenna, until ANT EL,AZ angles on pnl A2
are within 5° of ANT EL,AZ CMD angles on CRT

A1U KU BD SEARCH – SEARCH
√tb – gray
When SIG STR > 1.0 and
KU BD TRACK tb – gray (< 3 min):
√KU BD SCAN WARN tb – bp
√SEARCH tb – bp

- * If no track in 3 min, *
- * repeat step 2 once *
- * If still no track, √MCC *

CNTL – CMD

KU-BD ANT JETTISON

NOTE

Jettison between sunrise and noon if possible

AUTO MNVR TO -XLV

GNC UNIV PTG

√START TIME at least 15 min prior to sunrise

√TGT ID: +2

BODY VECT: +2

OM: +0

START TRK – ITEM 19 EXEC (CUR-*)

A6U DAP: A/AUTO/VERN

CONFIGURE KU FOR JETTISON

A1U √KU BD PWR – OFF

CNTL – PNL

R14:C cb MNB KU ELEC – op

ANT HTR – op

CABLE HTR – op

MNC KU SIG PROC – op

A14 √PYRO KU ANT (two) – SAFE

MA73C:A MCA LOGIC MNC MID 2 – OFF

:B MNB MID 4 – OFF

ML86B:D cb MNA PYRO JETT SYS A KU ANT – cl

MNC PYRO JETT SYS B KU ANT – cl

SET UP PLB CAMRS, RECORDING DEVICES

Perform ACTIVATION, OPERATIONS (Cue Card, TV) for Camrs A,B

Perform ILLUMINATOR OPS (Cue Card, TV) as reqd

A7 VID OUT MON 1 pb – push

IN A pb – push

PAN, TILT – as reqd

VID OUT MON 2 pb – push

IN B pb – push

PAN, TILT, FOCUS, ZOOM – as reqd

Cont next page

	PL BAY FLOOD – as reqd	
L10 (MUX) (VTR)	√VTR/CC PWR – on (LED on) ON/STANDBY – press (green LED on) Tape – install	
A6U	FLT CNTLR PWR – ON	
	√In jettison att DAP TRANS: PULSE/PULSE/PULSE	
	If VERN jets avail: DAP: A1/INRTL/VERN If VERN jets not avail: DAP: B1/INRTL/PRI	
	Wait until rates damped, then: DAP: A1/FREE/PRI	
	√SENSE – as reqd	
A7	VID OUT PAYLOAD(DTV) pb – push IN A(B) pb – push	
L10 (VTR)	REC pb – press, hold PLAY pb – press (red REC dot on)	
	<u>NOTE</u> After JETT, initiate opening rate ASAP. Minimize other THC/RHC inputs	
A14	PYRO KU ANT – ARM	
	Wait 1 sec, then: PYRO KU ANT – JETT	
	<u>INITIAL SEP MNVR (IMMEDIATELY AFTER JETT)</u> DAP: A/INRTL/PRI	

Cont next page

THC: +Z, 12 pulses (~1 fps)
(-X sense: THC dn)
(-Z sense: THC out)

SECOND SEP BURN (JETT +2:00 MIN)

SENSE – as reqd

THC: +Z, 12 pulses (~1 fps)
(-X sense: THC dn)
(-Z sense: THC out)

Maintain visual contact with KU ANT in OVHD
window using RHC
When KU ANT no longer visible, then:

CLEANUP

L10
(VTR)

STOP pb – press

GNC UNIV PTG

√TGT ID: +2
BODY VECT: +3
√OM: +0

START TRK – ITEM 19 EXEC (CUR-*)

DAP: A1/AUTO/VERN
FLT CNTLR PWR – OFF

A7 Perform DEACTIVATION (Cue Card, TV) as reqd
PL BAY FLOOD – as reqd |

A14 PYRO KU ANT (two) – SAFE |

ML86B:D cb MNA PYRO JETT SYS A KU ANT – op
MNC PYRO JETT SYS B KU ANT – op

MA73C:A MCA LOGIC MNC MID 2 – ON
:B MNB MID 4 – ON

PRE-SLEEP AUD CONFIG

√XX AUD PWR – AUD
A/G 2 – T/R
All other LOOPS – OFF
XX AUD XMIT/ICOM MODE – PTT/PTT

O6 √UHF MODE sel – OFF

FLIGHT DECK/MIDDECK AUD CONFIG

Perform STD HANDHELD MIC/SPEAKER CONFIG,
2-15, then:

MO42F SPKR BOX CHECKOUT

MIDDECK SPKR AUD PWR – AUD

Set off alert tone and adjust speaker volume as reqd

NOTE

If IDP not initially on, wait ~30 sec after
IDP/CRT pwr-on before turning off unit

If desired, alert tone duration may be
adjusted via a SPEC 2, Item 23 entry

IDP/CRT PWR – OFF,ON

MIDDECK SPKR AUD PWR – OFF

Perform comm check with GND using flt deck
handheld mic

MIDDECK SPKR AUD PWR – AUD/TONE

A13 OS AUD SPKR PWR – OFF

Perform comm check with GND using middeck
handheld mic

OS AUD SPKR PWR – SPKR

NOTE

If during sleep period, SM ALERT
annunciated with no fault msg, MCC has
no cmd capability. √MCC. If no joy, go
to COMM LOST (ORB PKT, COMM)

┌ | | | ┌

POST-SLEEP AUD CONFIG

If handheld mic/speaker operation:
Perform STD HANDHELD MIC/SPEAKER
CONFIG, 2-15 |

If VLHS/HIU operation:
Perform STD VLHS/HIU CONFIG
(NO SPEAKER)

If WCCS operation:

NOTE

More than one crewmember per WCCS
channel will cause intermittent loss of
comm. Turn unused WCCS leg units OFF

Perform STD VLHS/HIU CONFIG
(NO SPEAKER)

STD VLHS/HIU CONFIG (NO SPEAKER)

XX	XX AUD PWR	- AUD/TONE
	A/G 1	- T/R, tw - 2
	A/G 2	- RCV, tw - 2
	A/A	- RCV, tw - 2
	ICOM A,B (two)	- T/R, tw - 2
	XMIT/ICOM MODE	- PTT/PTT
XX	XX CCU PWR	- ON
A13	OS AUD SPKR PWR	- OFF
	MSTR SPKR VOL sel	- MIN
MO42F	MIDDECK SPKR AUD TONES	- ACCU/BYPASS
	SPKR PWR	- OFF
	MSTR SPKR VOL sel	- MIN

NOTE

Unused audio loops either RCV or OFF.
Unused VLHS comm systems either
disconnected or CCU PWR - OFF and
HIU VOL - 0

STD S-BD/KU-BD PNL CONFIG

If configuring for TDRS KU-BD:

Prior to configuring A1L/C3:

If KU in radar:

√KU PWR – ON

Perform KU OPS, step 4 (Cue Card, RNDZ), then:

KU CNTL – PNL,CMD

NOTE

KU-BD may take up to 3 min to complete search and acquire TDRS

If KU TRACK tb – bp

Perform KU-BD MANUAL ACQUISITION, 2-7, then:

		IF STDN(SGLS) <u>S-BD</u>	IF TDRS <u>S-BD</u>	IF TDRS <u>KU-BD</u>
A1L	NSP DATA RATE XMIT	– HI	HI	HI
	RCV	– HI	HI	HI
	UPLK DATA	– S-BD	S-BD	KU
	CODING XMIT	– OFF	ON	ON
	RCV	– OFF	ON	OFF
	S-BD PM MODE sel	– STDN LO (SGLS)	TDRS DATA	--
C3	S-BD PM CNTL	– PNL, CMD	PNL, CMD	PNL, CMD

NOTE

If S-BD mode TDRS or STDN HI, xmit may be delayed 3 min for PA warmup. Receive not affected

STD HANDHELD MIC/SPEAKER CONFIG

NOTE

For PRE-SLEEP AUD CONFIG,
MS A/G 2 and MIDDECK SPKR
AUD A/G 2 sws should remain off

FLIGHT DECK CONFIG

R10	MS AUD PWR	- AUD/TONE
	A/G 1	- T/R, tw - 2
	2	- RCV, tw - 2
	A/A	- RCV, tw - 2
	ICOM A,B (two)	- RCV, tw - 2
	XMIT/ICOM MODE	- PTT/PTT
A13	OS AUD SPKR PWR	- SPKR
	MSTR SPKR VOL sel	- 8
A11	MS COMM CCU PWR	- ON
	All WCCS leg units	- off

MIDDECK CONFIG

MO42F	MIDDECK SPKR AUD	
	A/G 1	- T/R, tw - 2
	2	- RCV, tw - 2
	A/A	- RCV, tw - 2
	ICOM A,B (two)	- RCV, tw - 2
	XMIT/ICOM MODE sel	- PTT/PTT
	SPKR PWR	- SPKR
	MSTR SPKR VOL sel	- 8
MO39M	MIDDECK COMM CCU PWR	- ON
	All WCCS leg units	- off

STD WCCS CONFIG

ACTIVATION

Unstow and assemble WCCS leg units

XX	XX AUD PWR	- AUD/TONE
	A/G 1	- T/R, tw - 5
	A/G 2	- RCV, tw - 2
	A/A	- RCV, tw - 5
	ICOM A	- T/R, tw - 5
	B	- OFF, tw - 5
	XX AUD XMIT/ICOM MODE	- PTT/PTT
A13	OS AUD SPKR PWR	- OFF
	MSTR SPKR VOL sel	- MIN
MO42F	MIDDECK SPKR AUD SPKR PWR	- OFF
	VOL sel	- MIN
XX	XX CCU PWR	- OFF
	Connect AIU cables to CCU outlets	
	XX CCU PWR - ON	
AIU	MODE SEL	- as reqd
	Green pwr lt	- ON
CRU	CHNL	- Designated chnl (see Cue Card, <u>WCCS COMM PLAN</u>)
	VOLUME	- as reqd

NOTE

If WCCS used in config with Spkr Units, adjust spkr volume as reqd to prevent squeals

DEACTIVATION

AIU	MODE SEL	- OFF
	Green pwr lt	- OFF
CRU	VOLUME	- OFF
XX	XX CCU PWR	- OFF
	Disconnect AIU cables from CCU outlets	
	Disassemble, stow WCCS leg units	

ICOM RECORDER OPS

- RECORD (Entry Config)

A11	MS COMM CCU PWR – OFF	
ICOM RCDR CABLE	√MHA Connected to CCU Connect to MHA at A11	
	Plug P3/RCDR into Rcdr MIC Port Plug P2/RCDR Headphone into Rcdr Headphones port Plug mic into cable MIC connector Tape all connections to Rcdr	
A11 RCDR	MS COMM CCU PWR – ON	
	Install tape MIC ATT sw – 0 dB SPEED TUNE – OFF HEADPHONE VOLUME – 0 (taped) DOLBY NR – OFF TAPE – NORM PEAK/BATT – BATT	
MIC	MIC PWR – 120	
	√LED flash for good BATT	
ATU RCDR	Desired Audio Loop(s) – T/R PAUSE and RECORD – depress, √no motion	
	√BATT LED PEAK/BATT – PEAK REC LEVEL – 4 PAUSE – release, √tape motion When complete – STOP, Mic – OFF To test setup – PLAYBACK	
- PLAYBACK

RCDR	√Tape rewind	
	HEADPHONE VOL – 7	
ATU	XMIT/ICOM MODE – PTT/VOX	
	VOX SENS – MAX	
	ICOM A(B) – T/R	
RCDR	PLAY – depress	
	√Tape motion, voice quality When complete, STOP – depress	

LANDING-1 COMM C/O

NOTE

Performed to verify good CMD/TLM/voice/video and UHF with entry sites. MCC config COMM system to STDN and back to TDRS via SPC. East and west coast sites checked on different revs. Expect A/G, UHF voice calls for each site. MCC will √good TLM, CMD, voice, video, and UHF. Expect poor S-BD COMM during H/Os and if site problem. TDRS COMM available with C3 S-BD PM PNL/CMD. Perform step 1 prior to AOS of site

1. UHF C/O CONFIG

O6	√UHF SPLX/EVA XMIT FREQ – 259.7/414.2	
	√PWR AMPL – ON	
	√SPLX SQUELCH – ON (OFF if heads down)	
	MODE sel – SPLX	

- ATUxx √AUD A/G1 or A/G2 – T/R
 A/A – T/R

2. ENTRY VIDEO C/O CONFIG

If ENTRY VIDEO SETUP (PHOTO/TV, MINI-CAM) configured:

O19	TV PWR – ON	
F3	R HUD PWR – ON	
F8U	MODE – TEST	
	BRT – MAN DAY	
	BRT sel – as reqd (LCD mon)	

NOTE

Once good link established at site, MCC will call crew on A/Gs, then A/A. Crew responds on all loops for each comm check performed. Once MCC finished comm checks, complete remaining steps

Cont next page

3. NORMAL UHF CONFIG

O6 √UHF SPLX SQUELCH – ON
 MODE sel – OFF

ATUxx AUD A/A – RCV

4. VIDEO RECONFIG

F8U R HUD MODE – NORM

F3 PWR – OFF

V10 PWR – OFF

O19 TV PWR – OFF

Connect Mini-Cam cables to HUD Mini-Cam
Extension Cable

H/O TIMES (supplied by MCC at crew request)

TDRS → STDN ____/____:____:____

WEST COAST STDN → TDRS ____/____:____:____

TDRS → STDN ____/____:____:____

EAST COAST SITE → SITE (STDN) ____/____:____:____

STDN → TDRS ____/____:____:____

COMM STRING 1 C/O (PART A: COMMAND TO STRING 1)

1. VERIFY PANEL A1L CONFIG

A1L	√S-BD PM ANT SW ELEC	- 1	
	√PRE AMP	- 1	
	√PWR AMPL STBY	- 1	
	√OPER	- 1	
	√MODE sel	- TDRS DATA	
	√XPNDR	- 1	
	√NSP DATA RATE (two)	- HI	
	√UPLK DATA	- S-BD	
	√CODING XMIT,RCV (two)	- ON	
	√PWR	- 1	

2. RECONFIG COMM STRINGS

√MCC ready for reconfig

C3 S-BD PM CNTL – PNL,CMD

Perform comm check with MCC-H

NOTE

S-Band, NSP now configured to String 1.
Alternate sw callouts used on all malfunction procedures. This config maintained for ~24 hr

3. RECONFIG PANEL A1L

A1L	S-BD PM ANT SW ELEC	- 2	
	PRE AMP	- 2	
	PWR AMPL STBY	- 2	
	OPER	- 2	
	XPNDR	- 2	
	NSP PWR	- 2	

COMM STRING 1 C/O (PART B: RETURN TO STRING 2)

1. VERIFY PANEL A1L CONFIG

- A1L √S-BD PM ANT SW ELEC - 2
- √PRE AMP - 2
- √PWR AMPL STBY - 2
- √OPER - 2
- √MODE sel - TDRS DATA |
- √XPNDR - 2
- √NSP DATA RATE (two) - HI
- √UPLK DATA - S-BD |
- √CODING XMIT,RCV (two) - ON
- √PWR - 2

2. RECONFIG COMM STRINGS

√MCC ready for reconfig

C3 S-BD PM CNTL – PNL,CMD

Perform comm check with MCC-H

NOTE

S-Band, NSP now configured to String 2.
Nominal sw callouts should be used on
all malfunction procedures

3. RECONFIG PANEL A1L

- A1L S-BD PM ANT SW ELEC - 1
- PRE AMP - 1
- PWR AMPL STBY - 1
- OPER - 1
- XPNDR - 1
- NSP PWR - 1

This Page Intentionally Blank

CREW SYSTEMS

PRE-SLEEP ACTIVITY	3-2
POST-SLEEP ACTIVITY	3-7
OCAC SETUP	3-11
STOWAGE	3-12
MAL	3-13
LiOH VOLUME INFLIGHT RECONFIG	3-14
TISSUE EQUIVALENT PROPORTIONAL COUNTER (TEPC)	3-16
TEPC DISPLAY LOGSHEET	3-22
CYCLE ERGOMETER OPS	3-23
FORMALDEHYDE MONITORING KIT: FMK – OPERATIONS.....	3-31

**CREW
SYS**

TABLE

3-1	TEPC NORMAL OPS DISPLAY KEY	3-17
-----	-----------------------------------	------

FIGURES

3-1	TEPC location (middeck avionics bay 3A)	3-18
3-2	Ergometer	3-24
3-3	Ergometer middeck launch/landing config (ergo assy)	3-27
3-4	Alternate exercise bungee attachments – front view (facing stbd).....	3-29
3-5	Alternate exercise bungee attachments – side view (facing stbd)	3-30

CREW
SYS

PRE-SLEEP ACTIVITY

FLIGHT DECK ACTIVITY LIST

- R1(A11) 1. If reqd, SUPPLY WATER DUMP (ECLS) (√MCC)
CRYO HEATER/MANF VLV config per MCC
1 2 3 4 5 6 7 8 9 10
11 12 13 14 15 16
- MO69M 2. If FD1 and PPO2 < 3.20:
√LEH O2 8 vlv – CL
Insert O2 Bleed Orifice Assembly into LEH O2 8
QD
LEH O2 8 vlv – OP
- C7 √SPLY 1,2 vlv – OP
1 2 3 4 5 6 7 8 9 10
11 12 13 14 15 16
3. SM CHECKPOINT INITIATE (DPS)
1 2 3 4 5 6 7 8 9 10
11 12 13 14 15 16
- L1 4. CAB TEMP – adj rotary as desired (suggest
5 o'clock posn)
If night before Entry:
Suggest 10 o'clock posn for Entry cooling
1 2 3 4 5 6 7 8 9 10
11 12 13 14 15 16
- MO10W 5. If 14.7 CAB REG INLET SYS 1(2) VLV – OP
(PCS active):
Expect possible 'S66 CAB N2 FLO 1(2)'
O2/N2 CNTLR VLV SYS 1(2) – OP
- L2 1 2 3 4 5 6 7 8 9 10
11 12 13 14 15 16

Cont next page

6. DPS/MEDS SLEEP CONFIG

NOTE

Reminder: complete middeck speaker volume adjust prior to IDP powerdown, PRE-SLEEP AUD CONFIG (COMM/INST); see MIDDECK ACTIVITY LIST, step 10, 3-6

- R11 √IDP/CRT4 PWR – ON
IDP/CRT4 MAJ FUNC – SM
- CRT4 SM ANTENNA (√CRT is driven by SM GPC)
- All AFT MDUs PWR – OFF
 IDP/CRT4 PWR sw – OFF
- C2 √IDP/CRT1 PWR sw – ON
 √IDP/CRT2 PWR sw – ON
 IDP/CRT2 MAJ FUNC – GNC
- CRT2 GNC UNIV PTG (√CRT is driven by GNC GPC)
- All FWD MDUs except CRT 1,
 MDU PWR – OFF
 IDP/CRT2 PWR sw – OFF
- CRT1 Set CRT Wake-up Time/Alert Tone Duration:
 GNC(SM) 2 TIME
 TONE MSN T – ITEM 3 +hh +mm +ss EXEC
 DURATION – ITEM 23 +XX EXEC
- Perform ERR LOG resets:
 GNC 0 GPC MEMORY
 ITEM 48 EXEC
 SM 0 GPC MEMORY
 ITEM 48 EXEC
- C3 BFC CRT SEL – 1+2
 DISP – ON
- C2 MDU CRT1 PWR – OFF
 IDP/CRT1 PWR sw – OFF
- 1 2 3 4 5 6 7 8 9 10
 11 12 13 14 15 16

Cont next page

A3 7. ✓PWR OFF:
 A7 TV MON
 CAMERAS
 PWR CONTR UNIT
 O19 PWR
 Recording Devices/Camcorders
 PLB LIGHTS
 DDUs

1 2 3 4 5 6 7 8 9 10
 11 12 13 14 15 16

8. WINDOW SHADES/FILTERS

1 2 3 4 5 6 7 8 9 10
 11 12 13 14 15 16

9. LIGHTING

1 2 3 4 5 6 7 8 9 10
 11 12 13 14 15 16

O14,O15,O16:F 10. Pri RJDF DRIVER,LOGIC (eight) – OFF

1 2 3 4 5 6 7 8 9 10
 11 12 13 14 15 16

O14,O15,O16:F 11. Pri RJDA DRIVER,LOGIC (eight) – OFF
 RJDA 1A L2/R2 MANF DRIVER – ON

1 2 3 4 5 6 7 8 9 10
 11 12 13 14 15 16

MIDDECK ACTIVITY LIST

1. FOOD PREP/POST

1 2 3 4 5 6 7 8 9 10
 11 12 13 14 15 16

2. CO2 ABSORBER REPLACEMENT (Cue Card)

1 2 3 4 5 6 7 8 9 10
 11 12 13 14 15 16

Cont next page

3. HOUSEKEEPING

1 2 3 4 5 6 7 8 9 10
11 12 13 14 15 16

4. WCS CLEANING (Cue Card, URINE COLLECTION)

1 2 3 4 5 6 7 8 9 10
11 12 13 14 15 16

5. SET UP EQUIPMENT FOR NEXT DAY'S ACTIVITIES

1 2 3 4 5 6 7 8 9 10
11 12 13 14 15 16

MO58F

6. PWR OFF:

TV PWR

1 2 3 4 5 6 7 8 9 10
11 12 13 14 15 16

7. MISSION NOTES

1 2 3 4 5 6 7 8 9 10
11 12 13 14 15 16

8. TYPE PERSONAL MESSAGES, if desired

1 2 3 4 5 6 7 8 9 10
11 12 13 14 15 16

9. PGSC OVERNIGHT CONFIG

COLOR PRINTER – ON

PAPER IN COLOR PRINTER

OCA ROUTER – ON

KFX PGSC (Prime and Backup) – On

KFX LAUNCHED ON KFX PGSCs (Prime and Backup)

OUTLOOK APPLICATION CLOSED ON ALL PGSC's

Prime KFX _____ Backup KFX _____

1 2 3 4 5 6 7 8 9 10
11 12 13 14 15 16

Cont next page

10. PRE-SLEEP AUD CONFIG (COMM/INST)

1 2 3 4 5 6 7 8 9 10
11 12 13 14 15 16

11. LIGHTING

1 2 3 4 5 6 7 8 9 10
11 12 13 14 15 16

POST-SLEEP ACTIVITY

MIDDECK ACTIVITY LIST

1. LIGHTING (minimize if in GROUP B(C) PWRDN)

1 2 3 4 5 6 7 8 9 10
11 12 13 14 15 16

2. CO2 ABSORBER REPLACEMENT (Cue Card)

1 2 3 4 5 6 7 8 9 10
11 12 13 14 15 16

3. MESSAGE REVIEW

1 2 3 4 5 6 7 8 9 10
11 12 13 14 15 16

4. POST-SLEEP AUD CONFIG (COMM/INST)

1 2 3 4 5 6 7 8 9 10
11 12 13 14 15 16

5. If FD2 and Bleed Orifice not installed:

MO69M

√LEH O2 8 vlv – CL
Insert O2 Bleed Orifice Assembly into LEH O2 8
QD

C7

LEH O2 8 vlv – OP
√SPLY 1,2 vlv – OP

1 2 3 4 5 6 7 8 9 10
11 12 13 14 15 16

6. FOOD PREP/POST

1 2 3 4 5 6 7 8 9 10
11 12 13 14 15 16

7. HOUSEKEEPING

1 2 3 4 5 6 7 8 9 10
11 12 13 14 15 16

Cont next page

8. WCS OHS REPLACEMENT

a. If FD2, perform URINE PRETREAT SETUP
(Cue Card, URINE PRETREAT CHANGEOUT)

b. URINE PRETREAT CHANGEOUT (Cue Card)

1 2 3 4 5 6 7 8 9 10
11 12 13 14 15 16

9. If Entry day, perform URINE PRETREAT ENTRY
PREP (Cue Card, URINE PRETREAT
CHANGEOUT) (if flown)]

Cont next page

3-8

ORB OPS/ALL/GEN K

FLIGHT DECK ACTIVITY LIST

1. LIGHTING (minimize if in GROUP B(C) PWRDN)

1 2 3 4 5 6 7 8 9 10
11 12 13 14 15 16

2. WINDOW SHADES/FILTERS

1 2 3 4 5 6 7 8 9 10
11 12 13 14 15 16

3. IDPs/MDUs – ON as desired (use only one IDP with three MDUs max if in GROUP B(C) PWRDN)

1 2 3 4 5 6 7 8 9 10
11 12 13 14 15 16

C3

4. BFC CRT DISP – OFF

1 2 3 4 5 6 7 8 9 10
11 12 13 14 15 16

5. ALERT TONE DURATION

1 2 3 4 5 6 7 8 9 10
11 12 13 14 15 16

L1

6. CAB TEMP – adj rotary as reqd

If Entry day:

CAB TEMP – full COOL

Wait 20 min

CAB TEMP CNTLR – OFF

1 2 3 4 5 6 7 8 9 10
11 12 13 14 15 16

MO10W

7. If 14.7 CAB REG INLET SYS 1(2) vlv – OP (PCS active):

L2

O2/N2 CNTLR VLV SYS 1(2) – AUTO

1 2 3 4 5 6 7 8 9 10
11 12 13 14 15 16

Cont next page

8. If planned, perform I'CNCT: L(R) OMS to RCS
(ORB PKT, RCS), then:

1 2 3 4 5 6 7 8 9 10
11 12 13 14 15 16

O14:F,
O15:F,
O16:F

9. If not GROUP B(C) PWRDN:
Pri RJDF DRIVER,LOGIC (eight) – ON

1 2 3 4 5 6 7 8 9 10
11 12 13 14 15 16

O14:F,
O15:F,
O16:F

10. If not GROUP B(C) PWRDN:
Pri RJDA DRIVER,LOGIC (eight) – ON

1 2 3 4 5 6 7 8 9 10
11 12 13 14 15 16

R1(A11)

11. If reqd, SUPPLY WATER DUMP (ECLS) (√MCC)
CRYO HEATER/MANF VLV config per MCC

1 2 3 4 5 6 7 8 9 10
11 12 13 14 15 16

OCAC SETUP

- OCAC
1. ✓ OCAC PWR – OFF
Attach DC Pwr cable to OCAC
 2. Loosen fabric shroud via Velcro attach points
 3. Loosen knurled collar on port arm until arm can be rotated down and locked
Fully extend arm by rotating collar
 4. Depress handles on stbd arm
Rotate arm down until locked
 5. Center OCAC in stbd interdeck accessway
 6. Place port arm pad in upper groove
 7. While depressing stbd arm handles, pivot OCAC into position, then release handles

NOTE

Port arm may need adjustment
to accommodate OCAC fit

8. ✓ OCAC fit secure
9. Secure fabric shroud to surrounding accessway
10. ✓ DC UTIL PWR – OFF
Attach DC Pwr cable to predetermined orbiter DC UTIL PWR outlet

DC UTIL PWR – ON
11. Remove filter cover
OCAC PWR – ON
Adjust CFM to 300 cfm (or desired level)

OCAC STOWAGE

- OCAC
1. ✓Filter for debris. If reqd, clean using Gray Tape or vacuum
Place filter cover over filter
 2. OCAC PWR – OFF
✓RPM – 0
 3. DC UTIL PWR – OFF
Disconnect DC Pwr cable from orbiter/OCAC
 4. Pivot stbd/port arms into stowed posn via pivot release buttons
Adjust arms to fit within OCAC
 5. Secure fabric shroud to OCAC
 6. Stow OCAC

OCAC MAL

ERROR INDICATOR	PROBLEM RESOLUTION
CHECK FILTER (LED illuminated)	Filter not properly attached to OCAC; reattach filter
CHECK BREAKER (LED illuminated)	√cb sw – off √MCC
MOTOR OVERHEAT (LED illuminated)	√OCAC PWR – OFF √Filter clean (If reqd, clean filter, allow motor to cool down before turning) OCAC PWR – ON √Motor not restricted (If reqd, remove object, allow motor to cool down before turning OCAC PWR – ON)
LED on top of OCAC (not illuminated)	√DC UTIL PWR – ON √OCAC PWR – ON √cb sw – on Ensure proper cable connection

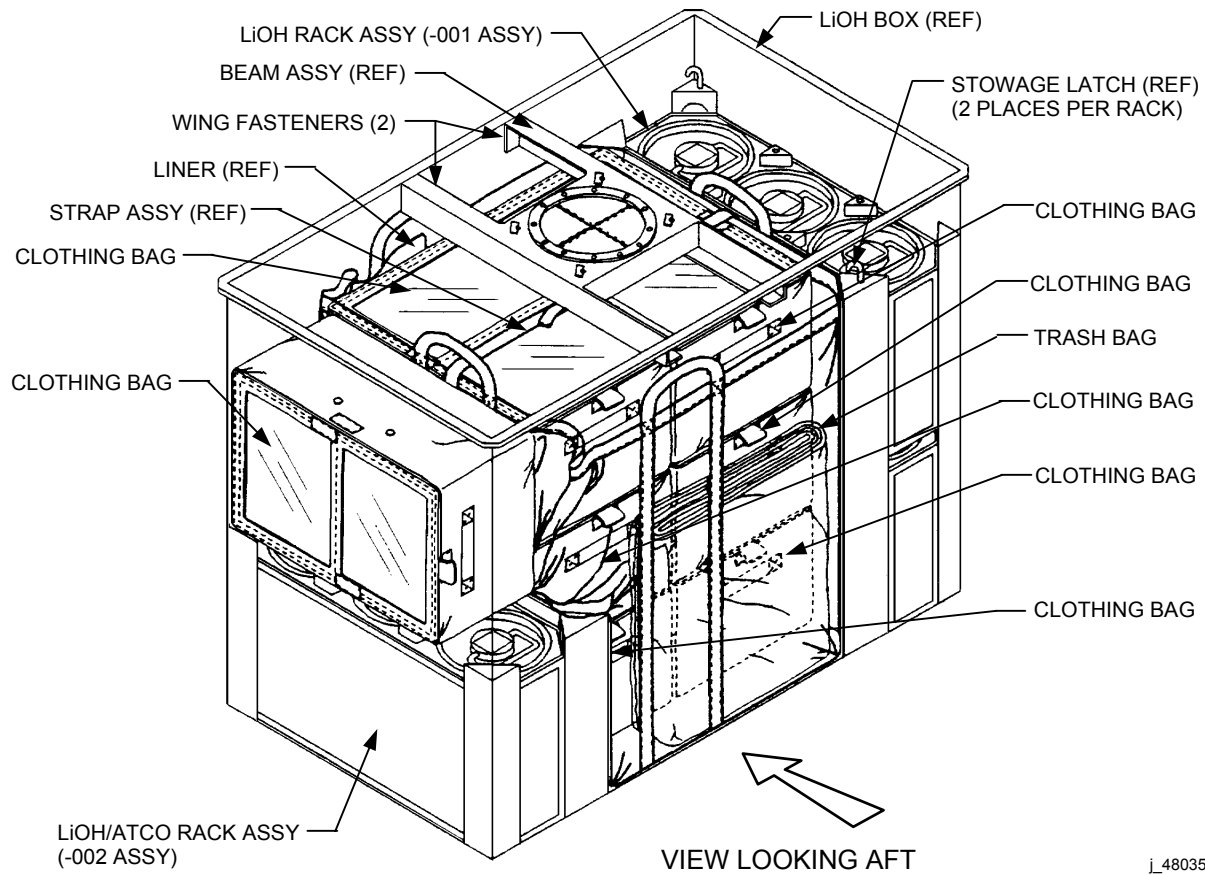
LiOH VOLUME INFLIGHT RECONFIG

1. Open LiOH Door
2. Unfasten wing fasteners (two) on beam assembly
Remove beam
3. Unfasten strap from buckle
4. Remove Clothing Bags (seven)
5. Unfold Trash Bag Liner and position in container,
matching bottom Velcro on liner with Velcro on
preinstalled Nomex Bag (verify vent opening
positioned aft of beam)
6. Place collar on Trash Bag Liner under beam
assembly and align with wing fasteners (four) on
beam assembly. Hand tighten
7. Mate vent line from orbiter to collar assembly
(ensure proper connection by gently pulling on
hose)
8. Reinstall beam
9. Place hand inside liner and mate Velcro on outside
of liner to Velcro on Nomex Bag
Spread bag out while mating Velcro

Cont next page

3-15

ORB OPS/ALL/GEN K



i_48035_001

TISSUE EQUIVALENT PROPORTIONAL COUNTER (TEPC)

A. POWER ON

NOTE

PDB (P1) needs to be connected after launch

- MO52J
TEPC
- Av Bay 3A
1. ✓DC UTIL PWR MNA – ON
 2. PWR sw 1 – ON
 3. Verify green LED – ON
If not, perform C. MALFUNCTION, step 1, 3-19
 4. After 1 min, verify display backlit and startup displays cycling
If not, perform C. MALFUNCTION, step 3, 3-20
If no joy, notify MCC

NOTE

During instrument startup routine, TEPC cycles thru 12 startup displays (initializations). After 8 min, TEPC startup complete

5. Record initialization MET ____ / ____ : ____ : ____

NOTE

When startup complete, TEPC cycles thru four operational displays. See table 3-I for displays

When time permits:

6. ✓TEPC Window Display
If display not cycling, (e.g., if time not incrementing), perform
C. MALFUNCTION, step 4, 3-20

If dose not incrementing, perform
C. MALFUNCTION, step 5, 3-20

7. Notify MCC of MET

Cont next page

TABLE 3-1.- TEPC NORMAL OPS DISPLAY KEY

Verification of normal operation:

Cyclic displays of operating parameters from the Window Display are shown below. Each left-hand box represents the layout of each display. The right-hand boxes are the noun names of the indicated values for the corresponding Window Display. Dose rate should change with each screen. Elapsed time (m) will change with each min

NOTE

Units for Dose Rate may be pGy/h, nGy/h, μ Gy/h, or mGy/h. Units for Total Dose may be pGy, nGy, μ Gy, or mGy. 1 Gy = 100 rad:
 pGy – picogray
 nGy – nanogray
 μ Gy – microgray
 mGy – milligray

::00 Display 1	hh:mm:ss _____ μ G _____m _____ μ G/h	→	Time Elapsed Time	Total Dose Dose Rate
::15 Display 2	hh:mm:ss _____ μ G DD.MM.YY _____ μ G/h	→	Time Date	Total Dose Dose Rate
::30 Display 3	hh:mm:ss _____ μ G ___% ___E _____ μ G/h	→	Time Memory Errors	Total Dose Dose Rate
::45 Display 4	hh:mm:ss _____ μ G > _____ μ G/h	→	Time Flags	Total Dose Dose Rate

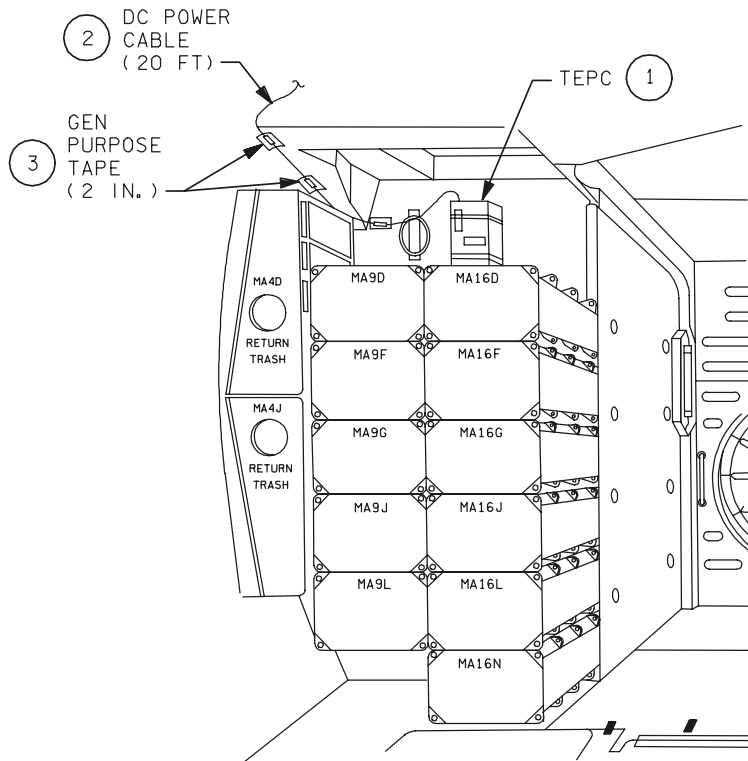
Cont next page

- TEPC B. POWERDOWN
 1. PWR sw 1 – OFF

NOTE

Following step 2 will terminate pwr
 to other loads on that utility outlet

- MO52J 2. DC UTIL PWR MNA – OFF
 3. Record TEPC deactivation MET
 _____/_____/____:____:_____



480350318_114. ART 1

Figure 3-1.- TEPC location (middeck avionics bay 3A).

C. MALFUNCTION

1. Green LED not ON (no display)

TEPC PWR sw 1 – OFF

MO52J DC UTIL PWR MNA – OFF

√External connections properly mated per
PLUG-IN-PLAN (REF DATA FS)

MO52J DC UTIL PWR MNA – ON

TEPC PWR sw 1 – ON

√Green LED – ON
If green LED ON, go to A. POWER ON, step 3,
3-16

If no green LED:

√MCC regarding fuse replacement and
perform step 2

2. Fuse Replacement

TEPC PWR sw 1 – OFF

MO52J DC UTIL PWR MNA – OFF

TEPC √Fuse (F1/F2)

switchbox

If necessary:

Top of TEPC

Replace with spare fuse
Stow blown fuse in spare fuse holder

NOTE

There are two spare fuses available, one
on top of TEPC pouch and one in TEPC
switchbox. Fuse on top of pouch is easier
to access so it should be tried first

MO52J DC UTIL PWR MNA – ON

TEPC PWR sw 1 – ON

√Green LED – ON
If green LED, perform A. POWER ON, step 4,
3-16
If no green LED, notify MCC

Cont next page

3. Green LED – ON but no display after 60 sec

TEPC PWR sw 1 – OFF

MO52J DC UTIL PWR MNA – OFF

√Internal connections properly mated:
Unfasten straps and unzip TEPC case
Check three internal connections
Zip up TEPC case and fasten straps

DC UTIL PWR MNA – ON

TEPC PWR sw 1 – ON

Go to A. POWER ON, step 4, 3-16

4. Display ON but not cycling (or no time updates)

TEPC PWR sw 1 – OFF

Wait 30 sec

PWR sw 1 – ON

NOTE

During instrument startup routine,
TEPC cycles through 12 startup
displays (initializations). After
8 min, TEPC startup complete

√For proper display:
If proper display, go to A. POWER ON,
step 4, 3-16
If no joy, notify MCC

5. Display ON but no dose rate or incrementing dose

TEPC PWR sw 1 – OFF

MO52J DC UTIL PWR MNA – OFF

Unfasten straps and unzip TEPC case

√Detector cable connection to spectrometer
Zip up TEPC case and fasten straps

MO52J DC UTIL PWR MNA – ON

TEPC PWR sw 1 – ON

Cont next page

NOTE

During instrument startup routine, TEPC cycles through 12 startup displays (initializations). After 8 min, TEPC startup complete

√For proper display:

If proper display, go to A. POWER ON, step 4, 3-16

If no joy, notify MCC

D. CALL DOWN DATA

NOTE

This procedure only reqd at direction of MCC

1. Record data per MCC instruction. Note appropriate scientific units on dose and dose rate. Refer to TEPC DISPLAY LOGSHEET, 3-22
2. Call down recorded data to MCC

NOTE

TEPC operational sequence consists of continuous cycling through four operational displays. See table 3-1, 3-17, for displays

Cont next page

3-21

ORB OPS/ALL/GEN K

TEPC DISPLAY LOGSHEET

NOTE

Report units as well as values

Date	GMT	Dose Rate (__Gy/h)	Total Dose (__Gy)	Elapsed Time (m)

CYCLE ERGOMETER OPS

ERGOMETER SETUP

1. Remove Ergometer Assy from middeck floor, transport Ergometer to desired exercise location

2. Unstow:

Ergo Assy	Ergometer Accessories (Ergo Acc) Bag
Ergo Acc	Bio Bag
Bag	Sound Mounts (4)
Bio Bag	Adjustable Quick Disconnects (AQDs)
	Spacers (4)

3. Attach AQDs (four) to seat floor studs. Install sound mounts and spacers on ADQs

Disassemble Ergo Assy:

4. Remove seat stem pip pin, seat stem foot, restraining belt, temp stow
5. Remove seat assy, temp stow
6. Remove Ergometer pip pins (four), ergometer assy straps (four); release Ergometer from frame; temp stow
7. Mount both frame sections loosely to AQDs on seat floor studs (fig 3-2) using Knurled Kbs (four)
8. Install seat assy on seat stem; insert seat stem foot into stem
Move seat assy pip pin (one) from green to yellow hole, secure with seat stem pip pin, slide blocks together, secure with Velcro
9. ✓Ergometer ON/OFF – OFF

NOTE

Following steps will interrupt pwr to other loads on that utility outlet

Cont next page

MO30F 10. ✓DC UTIL PWR MNC – OFF

11. Connect prerouted Ergometer Pwr cable to Ergometer Pwr Jack
Connect Ergometer Display Panel cable to Ergometer Display Jack; temp stow

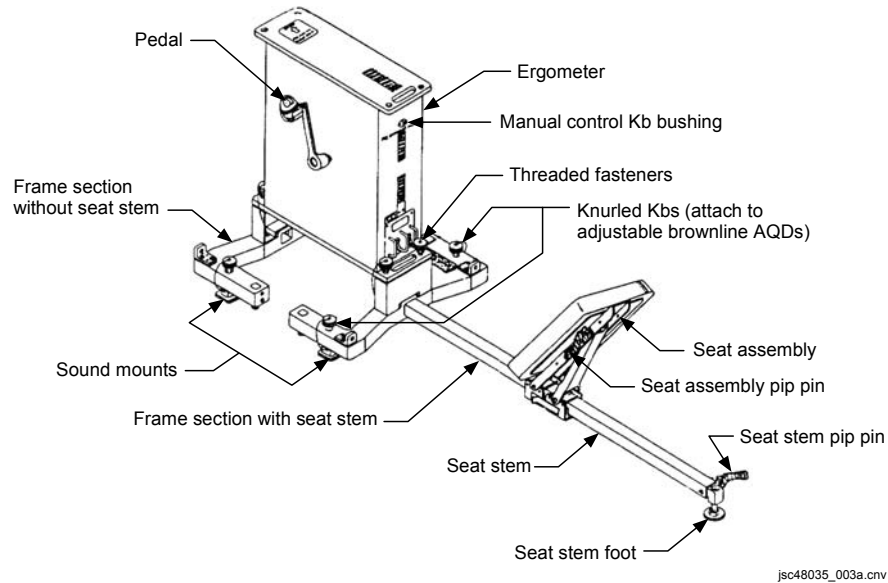


Figure 3-2.- Ergometer.

Bio Bag 12. Unstow: Threaded fasteners (four)

NOTE

Ergometer ON/OFF, MANUAL/REMOTE switches should face subject

Cont next page

3-24

ORB OPS/ALL/GEN K

13. ✓Ergometer for proper orientation
Mount Ergometer to frame assy with Threaded
Fasteners (four)
Tighten with Wrench
Hand-tighten Knurled Kbs to secure Ergometer
frame assy to Middeck floor
Tighten seat stem foot against orbiter floor

14. Unstow:
Ergometer Pedals
Ergometer Cranks

Ergo Acc
Bag

15. Install pedals on cranks using Wrench from Ergo
Acc Bag, attach cranks with pedals to Ergometer,
tighten with Wrench (see fig 3-2)

NOTE

Install RED on RIGHT,
BLUE on LEFT

- MO30F 16. DC UTIL PWR MNC – ON

As reqd, if exercise session follows immediately,
perform muscle stretch:

17. Hold each stretch 1 min
18. While stretching, relax involved muscle
19. Adjust seat assy for subject comfort
20. Mount Ergometer
Secure shoes into pedals
Secure body with restraining belt
21. Ergometer ON/OFF – ON
22. Perform exercise
23. Ergometer ON/OFF – OFF

Cont next page

RECONFIG/STOW

NOTE

Following steps will interrupt power
to other loads on that utility outlet

- MO30F
1. DC UTIL PWR MNC – OFF
 2. Disconnect prerouted Ergometer Pwr cable, secure
 3. If other loads on utility outlet (verify per Plug-In Plan), DC UTIL PWR – ON
- Ergo Acc Bag
4. Detach Ergometer Display Panel cable, Ergometer pedals, cranks, stow
- Bio Bag
5. Remove Threaded Fasteners, stow
 6. Remove Ergometer from frame, temp stow
 7. Remove seat stem pip pin, seat stem foot; temp stow
 8. Remove seat assy, reconfigure for launch/landing (pip pin moves from yellow to green hole)
 9. Unscrew Knurled Kbs (four)
 10. Release both frame sections from AQDs on seat studs; remove spacers (four), AQDs with Knurled Kbs/sound mounts (four), stow
 11. Slide frame half, without seat stem, onto stem in launch/landing config (fig 3-3)
 12. Unstow: Ergo Assy Straps (two pair), slide onto frame
 13. Unstow: Pip pins

Cont next page

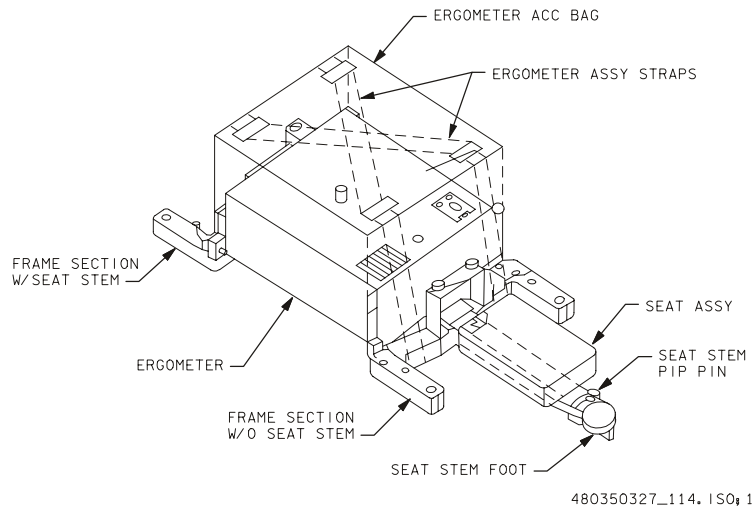


Figure 3-3.- Ergometer middeck launch/landing config (ergo assy).

14. Attach Ergometer horizontally to frame with pip pins (fig 3-3)
 ✓ Arrow on decal, seat stem face same direction
15. Slide seat assy onto seat stem, reinstall seat stem foot, secure with seat stem pip pin
16. Tighten Knurled Kbs (two) on seat assy
17. Secure restraining belt around seat assy, seat stem
18. Mount frame to launch/landing position in middeck using frame/AQDs (four), with seat stem facing forward (fig 3-3)
- Ergo Acc Bag 19. Unstow: Ergo Assy Straps
 Using Ergo Assy Straps attach Ergo Acc Bag to Ergometer (fig 3-3)
20. Pull straps tight; secure loose ends

Cont next page

CYCLE ERGOMETER MANUAL OPS

Ergo Acc
Bag

1. Unstow: Manual Control Kb
2. Screw Manual Control Kb into bushing on Ergometer (fig 3-3)

NOTE

To increase workload, turn Manual Control Kb cw. To decrease workload, turn Manual Control Kb ccw

If workload/pedal speed desired, pwr available:

3. ✓ Ergometer ON/OFF – ON
Set desired pedal speed, workload on display panel
Perform exercise
Adjust Manual Control Kb until ONLY center LED on workload illuminated; repeat for any change in workload

If workload/pedal speed feedback not desired or pwr not available:

4. Perform exercise, adjusting Manual Control Kb cw or ccw as desired

ALTERNATE ERGOMETER EXERCISE

Ergo Acc
Bag

1. Unstow: Bungee Cords (Bio Bag)
2. Connect two sets of four Bungee Cords in series
3. Stand topside of Ergometer with feet approx shoulder width apart
4. Attach Bungees to opposite corners of Ergometer frame, crossing Bungees over shoulders (see figs 3-4, 3-5)
5. Adjust Bungee length for comfort

Cont next page

NOTE

Use towels, socks for shoulder padding if desired

6. Perform exercise
7. Stow: Bungee Cords (Bio Bag)

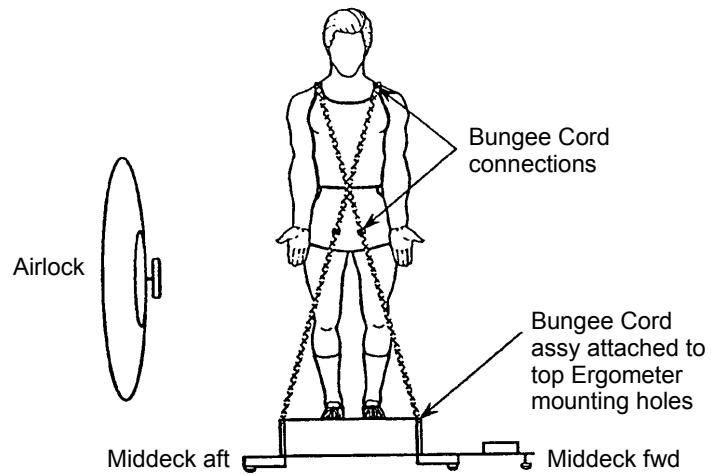


Figure 3-4.- Alternate exercise bungee attachments – front view (facing stbd).

Cont next page

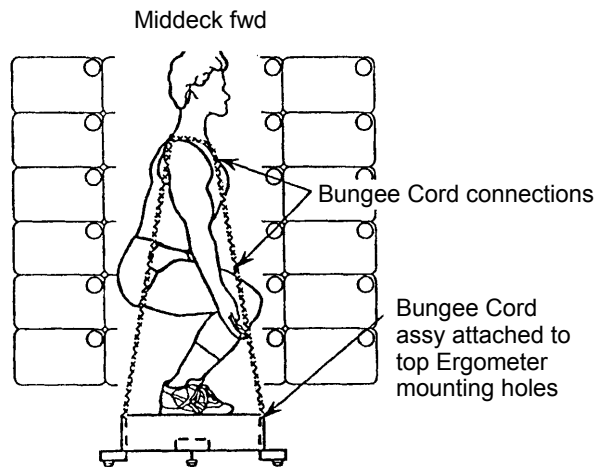


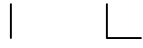
Figure 3-5.- Alternate exercise bungee attachments – side view (facing stbd).

**FORMALDEHYDE MONITORING KIT: FMK –
OPERATIONS**

NOTE

1. Monitor attachment site must permit air to move freely over monitor surface
2. Execute experiment for 40-48 hr

- MF43G
1. Unstow: Formaldehyde Monitor Kit (FMK)
 2. Remove two monitors from FMK
 3. Record (on both monitors):
Placement location
If OCAC operating, R14
|
If OCAC not operating, R9
Date and time in START space
 - 00:00:00 4. Remove and dispose of REMOVE TO START labels in FMK
 5. Remove and dispose of adhesive covers on Velcro (on back of monitor) in FMK
 6. Secure monitors side by side (distance \approx 5 to 10 cm) in sampling location
 - ~48:00:00 7. Detach monitors from area location
 8. Seal monitoring surfaces with APPLY TO STOP labels (on back of monitors)
 9. Record date and time in STOP spaces
 10. Stow used monitors in RETURN BAG in FMK
 11. Stow FMK



This Page Intentionally Blank



DPS

G2 SET CONTRACTION	4-2
EXPANSION	4-4
TO G8 TRANSITION.....	4-6
G8 TO G2 TRANSITION.....	4-7
SM CHECKPOINT INITIATE	4-8

DPS

G2 SET CONTRACTION

NOTE

No KYBD entries or sw throws 10 sec before and after moding PASS GPCs to RUN or making OPS transition requests

1. If RNDZ NAV enabled: Go to step 7
2. CONFIG FOR SET CONTRACTION

CRT

If MM202: GNC, OPS 201 PRO

GNC 0 GPC MEMORY

CONFIG – ITEM 1 +2 EXEC

Assign MC 2 →

C3(A6U)

DAP: FREE
VERN(ALT)

3. OPS MODE RECALL

CRT

GNC, OPS 201 PRO

Pause ~30 sec (DAP settling)

C3(A6U)

DAP: as reqd

lf:	Single G2	Dual G2
CONFIG GPC	2 10000	2 12000
STR	1 2 3 4	1 2 1 2
PL 1/2	0	0
CRT	1 2 3 4	1 2 0 2
L	1 2	0 0
MM	1 2	1 2

NOTE

Downlist reverts to lowest GPC (MCC may request Item 44+X)

4. FREEZE DRY GPC 2(3) (G2FD)

CRTX

MAJ FUNC – PL

GPC/CRT2(3)/X EXEC

X: PL GPC MEMORY

CONFIG – ITEM 45 +2 EXEC

GPC – ITEM 46 +2(3) EXEC

STORE – ITEM 47 EXEC

Store complete when MC = 02 (~15 sec)

√All IDPs(CRTs) deassigned from FD GPC

O6

GPC MODE 2(3) – STBY (tb-bp)
– HALT (tb-bp)
– STBY (tb-RUN)
– HALT (tb-bp)

Cont next page

5. CONFIG CLEANUP

GNC 22 S TRK/COAS CNTL

S TRK -Y,-Z: STAR TRK – ITEM 3,4 EXEC (*)

GNC 21 IMU ALIGN

RESUME

6. CLEAR SOFTWARE FAIL VOTES

On MCC GO:

GNC 0 GPC MEMORY

ITEM 48 EXEC

SM 0 GPC MEMORY

ITEM 48 EXEC >>

7. SET CONTRACTION “if RNDZ NAV ENA”

NOTE

The following steps do not take PASS redundant set through OPS 0

a. Remove GPC From Redundant Set:

If MM202: GNC, OPS 201 PRO

GNC 0 GPC MEMORY

CONFIG – ITEM 1 +2 EXEC

Assign MC 2 without modifying target set →

CRT

C3(A6U)

CRT

O6

C3(A6U)

DAP: FREE
VERN(ALT)

GNC, OPS 201 PRO

GPC MODE – STBY
(tb-bp)
– RUN
(tb-RUN)

	Current:	Dual G2	Triple G2
CONFIG	2	2	2
GPC	12000	12300	
STR	1	1	1
	2	1	2
	3	1	1
	4	1	2
PL 1/2	0	0	0
CRT	1	1	1
	2	1	2
	3	0	0
	4	1	2
L	1	0	0
	2	0	0
MM	1	1	1
	2	1	2

DAP: as reqd

b. Create G2FD GPC

Perform step 4 if GPC not currently reqd

c. Clear Software Fail Votes: Go to step 6

G2 SET EXPANSION

NOTE

No KYBD item entries or sw throws 10 sec before and after moding PASS GPCs to RUN or making OPS transition requests

- C3(A6U) 1. If RNDZ NAV enabled:
DAP: LVLH

GNC UNIV PTG
CNCL – ITEM 21 EXEC

2. CONFIG G2FD GPC(s) FOR SET EXPANSION

√AV BAY 2(3) FAN A(B) – ON

- O6 √GPC MODE 2(3) – HALT
√OUTPUT 2(3) – NORM
√PWR 2(3) – ON
MODE 2 – STBY(tb-RUN)
– RUN (OUTPUT tb-gray)

If triple G2 reqd:

GPC MODE 3 – STBY (tb-RUN)
– RUN (OUTPUT tb-gray)

3. CONFIG FOR SET EXPANSION

CRT If MM202: GNC, OPS 201 PRO

GNC 0 GPC MEMORY
CONFIG – ITEM 1 +2 EXEC
Assign MC 2 →

lf:	Dual G2	Triple G2
CONFIG GPC	2 12000	2 12300
STR 1	1	1
2	2	2
3	1	3
4	2	3
PL 1/2	0	0
CRT 1	1	1
2	2	2
3	0	0
4	2	3
L 1	0	0
2	0	0
MM 1	1	1
2	2	2

4. OPS MODE RECALL

C3(A6U) DAP: FREE
CRT GNC, OPS 201 PRO

Pause ~30 sec (DAP settling)

C3(A6U) DAP: as reqd

NOTE

Downlist reverts to lowest GPC (MCC may request Item 44+X)

Cont next page

5. CONFIG CLEANUP

GNC 22 S TRK/COAS CNTL

S TRK -Y,-Z: STAR TRK – ITEM 3,4 EXEC (*)

GNC 21 IMU ALIGN

RESUME

6. If resuming RNDZ NAV TRACKING:

Go to RNDZ NAV RECOVERY (RNDZ,
CONTINGENCY OPS)

G2 TO G8 TRANSITION

NOTE

No KYBD item entries or sw throws 10 sec before and after moding PASS GPCs to RUN or making OPS transition requests

- C3(A6U) 1. If RNDZ NAV enabled:
 DAP: LVLH
GNC UNIV PTG
 CNCL – ITEM 21 EXEC
2. CONFIG TFL FOR G8 TRANSITION
 If Elevon Park: TFL change not reqd
 If FCS Checkout (load FMT ID 103/161):
SM 62 PCMMU/PL COMM
 Perform LOAD PCMMU FORMAT
 (ORB OPS FS, COMM/INST)
3. CONFIG FOR G8 OPS TRANSITION
 O8 √MLS (three) – ON
 O14,O15,O16:E √cb ADTA (four) – cl
 O14,O15:F √MMU (two) – ON

4. G8 OPS TRANSITION
 CRT If MM202: GNC, OPS 201 PRO
GNC 0 GPC MEMORY
 CONFIG – ITEM 1 +8 EXEC

Assign MC8 →

If:	Single G2	Dual G2	Triple G2
CONFIG GPC	8 10000	8 12000	8 12300
STR	1 2 3 4	1 2 1 2	1 2 3 3
PL	1/2	0	0
CRT	1 2 3 4	1 2 0 2	1 2 0 3
L	1 2	0 0	0 0
MM	1 2	1 2	1 2

5. If reqd for PWRDN:
 O15:F MMU2 – OFF

NOTE
 Downlist reverts to lowest GPC (MCC may request Item 44+X)

G8 TO G2 TRANSITION

NOTE

No KYBD item entries or sw throws 10 sec before and after moding PASS GPCs to RUN or making OPS transition requests

1. SM 62 PCMMU/PL COMM

If reqd, perform LOAD PCMMU FORMAT (ORB OPS FS, COMM/INST)

2. G2 OPS TRANSITION

O14,O15:F \sqrt MMU (two) – ON

GNC 0 GPC MEMORY

CONFIG – ITEM 1 +2 EXEC

Assign MC2 →

C3(A6U)

DAP: FREE

CRT

GNC, OPS 201 PRO

Pause ~30 sec
(DAP settling)

C3(A6U)

DAP: as reqd

If:	Single G8	Dual G8	Triple G8
CONFIG GPC	2 10000	2 12000	2 12300
STR 1	1	1	1
2	1	2	2
3	1	1	3
4	1	2	3
PL 1/2	0	0	0
CRT 1	1	1	1
2	1	2	2
3	0	0	0
4	1	2	3
L 1	0	0	0
2	0	0	0
MM 1	1	1	1
2	1	2	2

NOTE

Downlist reverts to lowest GPC (MCC may request Item 44+X)

3. CONFIG CLEANUP

GNC 22 S TRK/COAS CNTL

S TRK -Y,-Z: STAR TRK – ITEM 3,4 EXEC (*)

GNC 21 IMU ALIGN

RESUME

O15:F

If reqd for PWRDN: MMU 2 – OFF

Cont next page

If not currently performing FCS Checkout, then:
O8 √MLS (three) – OFF
O14,O15,O16:E √cb ADTA (four) – op

4. If resuming RNDZ NAV TRACKING:
Go to RNDZ NAV RECOVERY (RNDZ,
CONTINGENCY OPS)

SM CHECKPOINT INITIATE

- O15:F
1. √MMU 2 – ON
 2. SELECT MMU 2(1) FOR CKPT
SM 1 DPS UTILITY
MMU 2(1) ASSIGN – ITEM 4(3) EXEC (*)

√MMU STATUS 2(1) – RDY

SM 60 TABLE MAINT
√SM COM BUFF – ‘RDY’
CHECKPT INITIATE – ITEM 18 EXEC
 √Time updated
 √STATUS – ‘GOOD’
 3. Repeat step 2 for MMU 1
 4. After completion of SM CKPTs:
SM 1 DPS UTILITY
 √CKPT RETRV ENA – ITEM 12 EXEC (*)
- O15:F
5. If reqd for PWRDN: MMU 2 – OFF

ECLS

SUPPLY/WASTE WATER DUMP 5-2
SUPPLY WATER DUMP USING FES 5-9
CABIN TEMP CONTROL..... 5-10
CO2 RMVL SYS CNTLR CONFIG:
 ACT 1/DEACT 2 (ACT 2/DEACT 1) 5-11
RAD BYPASS/FES C/O 5-12
MODIFIED RAD BYP/FES C/O AND TOPPING
 CORE FLUSH 5-13
RAD DEPLOY 5-15
 STOW 5-17
PCS 1(2) CONFIG 5-19
TOPPING FES DEACTIVATION 5-20
 STARTUP 5-21
SMOKE DETN CKT TEST 5-22
SHUTTLE/ISS H2O CONTAINER FILL (HC)..... 5-25
CWC OVERBOARD DUMP 5-32
CABIN TEMP CONTROLLER RECONFIG – 2(1) 5-35
SHUTTLE CONDENSATE COLLECTION 5-36
PWR DUMP-WASTE LINE 5-37
 DUMP-SUPPLY LINE 5-40
 FILL..... 5-43
GALLEY IODINE REMOVAL ASSEMBLY (GIRA)
 INSTALLATION..... 5-46
GALLEY OVERNIGHT CONFIG..... 5-48
 MORNING CONFIG..... 5-48
 WATER SAMPLE..... 5-49
GIRA STOWAGE 5-50
NOMINAL H2O CONFIG 5-51
CWC VENTING..... 5-52

ECLS

FIGURES

5-1 Initial purge setup; water transfer hose
 coming from GIRA 5-26
5-2 CWC or EDV fill setup..... 5-27
5-3 Quantity measuring strap and CWC details 5-28
5-4 CWC sample setup 5-29
5-5 GIRA config (connections and routing) 5-47

SUPPLY/WASTE WATER DUMP

For SPLY H2O Dump, perform steps in sections
A,B,D,F,H,K
For WST H2O Dump, perform steps in sections
B,E,G,I,K
For simo SPLY/WST H2O Dump, perform all steps

NOTE

If PASS SM avail, monitor temps and qty;
otherwise, dump only when MCC avail to
monitor.

Dump in current SPLY H2O tank config
(panels R11L, ML31C), unless directed
otherwise by MCC.

If no comm: Dump H2O tanks to provide
100% total ullage in any single or
combination of TKs A,B,C,D. 100% ullage
reqd for FC-produced water for 12 hr.

Qty of approx 200% among TKs A,B,C,D
reqd for deorbit/entry FES usage.

If part of TKA and all of TKB to be dumped:
Set TKB QTY LL to -10 to preclude
nuisance alarm
Do not reset LL or dump TKA QTY less
than 80

ECLS

WCS
Outbd
Wall

A. SUPPLY/SIMO DUMP PREP

For SPLY H2O or simo SPLY/WST H2O DUMP,
unstow and install SPLY H2O Dumpline Purge
Device into CONT H2O X-TIE POT QD (lower
QD with blue Velcro and "POTABLE" label)

NOTE

Have towel ready for possible release
of water when mating/demating any
connections

Cont next page

B. PRE-DUMP FDA

If comm, MCC will TMBU nozzle temp, tank qty limits, and provide dump duration as reqd

If no comm, change limits via table A for SPLY H2O Dump, table B for WST H2O Dump, or both for simo SPLY/WST H2O Dump

TABLE A

SM 60 TABLE MAINT

PARAMETER NAME	PARA ID	SM ALERT	
		LOW	HIGH
SUPPLY H2O QTY A	0620410	*	
B	0620420	*	
C	0620548	*	*
D	0620544		
NOZ T A	0620440	90	250
B	0620439	90	250

*Limits TMBU'd on orbit to provide leak and overfill detection

TABLE B

SM 60 TABLE MAINT

PARAMETER NAME	PARA ID	SM ALERT	
		LOW	HIGH
WASTE H2O QTY 1	0620540	*	99
NOZ T A	0620520	50	250
B	0620519	50	250

*Limits TMBU'd on orbit to provide leak and overfill detection

Cont next page

- MO10W C. SIMO DUMP H2O TK N2 REG CONFIG
 If performing simo SPLY/WST H2O Dump:
 H2O TK N2 REG INLET SYS 1, SYS 2 vlv
 (two) – OP
- CRT D. SUPPLY H2O DUMP NOZZLE HTR ACTIVATION
SM 66 ENVIRONMENT
 1. √SUPPLY H2O DMP LN T ≥ 65
- ML86B:A * If DMP LN T < 65, enable second *
 * heater: *
 * cb MNB(MNA) H2O LINE HTR *
 * B(A) – cl *
- R11L 2. √SPLY H2O DUMP ISOL VLV – OP (tb-OP)
 3. VLV ENA/NOZ HTR – ON
 4. √VLV – CL (tb-CL)
- CRT E. WASTE H2O DUMP NOZZLE HTR ACTIVATION
SM 66 ENVIRONMENT
 1. √WASTE H2O DMP LN T > 50
- ML86B:A * If WASTE H2O DMP LN T ≤ 50, *
 * enable second heater: *
 * cb MNB(MNA) H2O LINE HTR *
 * B(A) – cl *
- ML31C 2. √WASTE H2O DUMP ISOL VLV – OP (tb-OP)
 3. VLV ENA/NOZ HTR – ON
 4. √VLV – CL (tb-CL)

Cont next page

F. SUPPLY H2O DUMP INITIATION

SM 66 ENVIRONMENT

CAUTION

Tile debonding may occur if nozzle temps exceed 350 degF

- CRT 1. When SUPPLY H2O NOZ T A,B (two) exceed 100 (~5 min warmup time), continue
- R11L 2. SPLY H2O DUMP VLV – OP (tb-OP)
- CRT 3. √SUPPLY H2O QTY A(B,C,D) decr (~1 to 2% per min)

If 'S66 SPLY H2O TEMP' msg, SUPPLY H2O NOZ T A,B (two) < 90, terminate dump immediately per H. SUPPLY H2O DUMP TERMINATION, 5-6

NOTE

If dump terminated for SUPPLY H2O NOZ T < 90, √MCC about dumping supply water thru FES, thru waste water nozzle, or into CWC to make ullage for fuel cell product water

G. WASTE H2O DUMP INITIATION

SM 66 ENVIRONMENT

CAUTION

Tile debonding may occur if nozzle temps exceed 350 degF

- CRT 1. When 'S66 WASTE H2O TEMP' msg, WASTE H2O NOZ T A,B (two) exceed 250 (~10 min warmup time), continue

CAUTION

Dumping WASTE H2O TK1 QTY below 5% can cause bellows damage

Cont next page

- ML31C 2. √WASTE H2O TK1 VLV – OP (tb-OP)
 3. DUMP VLV – OP (tb-OP)
 CRT 4. WASTE H2O QTY 1 – decr (~1 to 2% per min)
 5. √NOZ T A,B (two) – not incr
- If 'S66 WASTE H2O TEMP' msg, WASTE H2O NOZ T A(B) '↓' then:
- ML31C 6. WASTE H2O DUMP VLV – CL (tb-CL)
 CRT 7. When 'S66 WASTE H2O TEMP' msg WASTE H2O NOZ T A,B (two) exceed 250 (~8 min reheat time), continue
 ML31C 8. WASTE H2O DUMP VLV – OP (tb-OP)

H. SUPPLY H2O DUMP TERMINATION

- R11L 1. SPLY H2O DUMP ISOL VLV – CL (tb-CL)
 CRT 2. √SUPPLY H2O QTY A(B,C,D) not decr
- R11L * If SUPPLY H2O QTY A(B,C,D) decr, *
 * cycle SPLY H2O DUMP ISOL VLV *
 * If not successful, *
 * SPLY H2O DUMP VLV – CL (tb-CL) *
- CRT 3. When 'S66 SPLY H2O TEMP' msg, SUPPLY H2O NOZ T A,B (two) exceed 250 (~10-12 min bakeout time), continue
- R11L 4. SPLY H2O DUMP VLV – CL (tb-CL), wait 60 sec
 5. – OP (tb-OP), wait 60 sec
 6. – CL (tb-CL)
 7. ISOL VLV – OP (tb-OP)
 8. VLV ENA/NOZ HTR – OFF
 9. √VLV tb – bp

Cont next page

CRT 10. √SUPPLY H2O NOZ T A,B (two) – not incr

ML86B:A * If SPLY H2O NOZ T A,B (two) incr: *
* cb MNC SPLY H2O DUMP *
* VLV/NOZ HTR – op *

WCS 11. Remove, stow SPLY H2O Dumpline Purge
Outbd Device from CONT H2O X-TIE POT QD
Wall

ML31C I. WASTE H2O DUMP TERMINATION
1. WASTE H2O DUMP VLV – CL (tb-CL)
CRT 2. √QTY 1 not decr

ML31C * If WASTE H2O QTY 1 decr: *
* Cycle WASTE H2O DUMP VLV *
* If not successful, *
* WASTE H2O DUMP ISOL VLV – *
* CL (tb-CL) *

CRT 3. When ‘S66 WASTE H2O TEMP’ msg,
WASTE H2O NOZ T A,B (two) exceed 250
(~8 min bakeout time), continue

ML31C 4. WASTE H2O DUMP VLV ENA/NOZ HTR – OFF
5. √tb – bp

* If WASTE H2O NOZ T A,B (two) incr: *
* cb MNA WASTE H2O DUMP *
* VLV/NOZ HTR – op *

J. SIMO DUMP H2O TK N2 REG RECONFIG
If simo SPLY/WASTE H2O DUMP performed,
execute following after both dumps complete:

MO10W If Cab P < 14.7 psia or PCS1 active:
1. H2O TK N2 REG INLET SYS 2 vlv – CL
If PCS2 active:
2. H2O TK N2 REG INLET SYS 1 vlv – CL

Cont next page

K. POST-DUMP FDA CLEANUP

If comm, MCC will reset SM limits via TMBU

If no comm, reset SM limits via table C for SPLY H2O DUMP, table D for WST H2O Dump, or both for simo SPLY/WST H2O Dump

TABLE C

SM 60 TABLE MAINT

PARAMETER NAME	PARA ID	SM ALERT	
		LOW	HIGH
SUPPLY H2O NOZ T A B	0620440	-82	250
	0620439	-82	250

TABLE D

SM 60 TABLE MAINT

PARAMETER NAME	PARA ID	SM ALERT	
		LOW	HIGH
WASTE H2O NOZ T A B	0620520	-82	250
	0620519	-82	250

NOTE

If WASTE H2O and SUPPLY QTY limits were reset to annunciate end of dump, leave limits at annunciation value

SUPPLY WATER DUMP USING FES

(Approx 8%/hr net supply water used by this method)

NOTE

If PASS SM avail, monitor tank qty;
otherwise, monitor dump time provided
by MCC

1. DUMP INITIATION

L1 FLASH EVAP CNTLR PRI A,B,SEC (three) – OFF
RAD CNTLR OUT TEMP – HI

O1 When FREON EVAP OUT TEMP ind > 50 degF, |

L1 FLASH EVAP CNTLR PRI A(B) – ON

O1 After 1 min, √FREON EVAP OUT TEMP ~39 degF |

2. DUMP TERMINATION

L1 RAD CNTLR OUT TEMP – NORM

FLASH EVAP CNTLR PRI A(B) – OFF

If FES reqd, wait 1 min, then:

O1 When FREON EVAP OUT TEMP ind < 40 degF, |

L1 FLASH EVAP CNTLR PRI A(B) – ON

CABIN TEMP CONTROL

SM 88 APU/ENVIRON THERM

CREW ACTION		Δ TEMP EXPECTED
√MCC		
	Implement ECLS SSR-6 CABIN EQUIP PWRDN	} 1 to 9 degF
	√H2O LOOP 2(1) ICH FLOW 950 -----	
L1	FLOW PROP VLV LOOP 2 – ICH (√MCC for payload impact)	} 8 degF
	FLOW PROP VLV LOOP 1 – ICH ----- (√MCC for payload impact)	} 1 degF
MD44F	Pin CAB TEMP CNTLR vlv – FULL COOL -	} 6 degF
	- 2/3 COOL-----	
	- 1/3 COOL-----	
	- FULL HEAT -	
	4 degF	
L1	FLOW PROP VLV LOOP 1 – PL -----	} 4 degF
	2 – PL -----	} 1 degF
	H2O LOOP 2 BYP MAN – DECR until H2O LOOP 2 ICH FLOW MAX -----	} 8 degF
	H2O PUMP LOOP 1 – ON,B----- H2O LOOP 1,2 BYP MAN – DECR until H2O LOOP 1,2 ICH FLOW MAX	} 5 degF
	FLASH EVAP CNTLR PRI A,B – OFF SEC – OFF	
√MCC		

**CO2 RMVL SYS CNTLR CONFIG:
ACT 1/DEACT 2 (ACT 2/DEACT 1)**

ML86B:E √cb MNA,C CO2 SYS 1,2 CNTLR (two) – cl

MO51F CNTLR 2(1) MODE – STBY (hold 3 sec)
 Wait 6 sec

√CNTLR 2(1) OPER It – It off
 √FAIL It – FAIL It on

MNC(MNA) – OFF

√CNTLR 2(1) FAIL It – It off

 AC3(AC1) – OFF (hold 3 sec)

 cb AC3(AC1) ΦA(ΦC) (three) – op

 AC1(AC3) ΦA(ΦC) (three) – cl

 AC1(AC3) – ON (hold 3 sec)

MNA(MNC) – ON

CNTLR 1(2) MODE – OPER (hold 3 sec)

Wait 6 sec

√CNTLR 1(2) OPER It – OPER It on

√COM INSTR – ON

CHARCOAL CANISTER REPLACEMENT

Perform if CO2 RMVL SYS CNTLR CONFIG
accomplished as part of midflight reconfig:

- MD54G a. Remove and replace charcoal canister
 (if flown)
- b. Reseal used charcoal canister with wrapper
 and Gray Tape, stow

OV104,105

5-11 ORB OPS/104,105/GEN K

RAD BYPASS/FES C/O

NOTE

Procedure bypasses radiators and performs checkout of Secondary (Topper and Hi-Load) and PRI B (Full Up) FES controllers. Expect 'S88 EVAP OUT T 1(2)' msgs

1. √DAP: A/AUTO/ALT(PRI)
- R11L 2. √SPLY H2O XOVR VLV – OP (tb-OP)
- L1 3. FLASH EVAP CNTLR PRI A,B – OFF
SEC (two) – A SPLY,ON
√HI LOAD DUCT HTR sel – B
EVAP – ENA
4. RAD BYP VLV MODE 1,2 (two) – MAN
MAN SEL 1,2 (two) – BYP
(tb-BYP ~3 sec)
RAD CNTLR LOOP 1,2 (two) – OFF
After 2.5 min,
- O1 √FREON EVAP OUT TEMP ind: 62 ± 2 degF
- L1 5. HI LOAD EVAP – OFF
After 2.5 min,
- O1 √FREON EVAP OUT TEMP ind: 62 ± 2 degF
- L1 6. HI LOAD EVAP – ENA
7. FLASH EVAP CNTLR SEC (two) – A SPLY,OFF
PRI B – ON
After 2.5 min,
- O1 √FREON EVAP OUT TEMP ind: 39 ± 1 degF
- L1 8. √FLOW PROP VLV LOOP 1,2 (two) tb – ICH
9. RAD CNTLR OUT TEMP – NORM

**MODIFIED RAD BYP/FES C/O AND TOPPING
CORE FLUSH**

NOTE

Procedure should be used if icing is suspect
cause of FES shutdown. Use on MCC call.
Expect 'S88 EVAP OUT T 1(2)' msgs

1. √DAP: A/AUTO/ALT(PRI)
- R11L 2. √SPLY H2O XOVR VLV – OP (tb-OP)
- L1 3. FLASH EVAP CNTLR PRI A,B – OFF
SEC (two) – A SPLY,ON
√HI LOAD DUCT HTR sel – B
EVAP – ENA
TOP EVAP HTR DUCT sel – A/B
4. RAD BYP VLV MODE 1,2 (two) – MAN
MAN SEL 1,2 (two) – BYP
(tb-BYP ~3 sec)
RAD CNTLR LOOP 1,2 (two) – OFF
After 2.5 min,
- O1 √FREON EVAP OUT TEMP ind: 62 ± 2 degF
- L1 5. FLASH EVAP CNTLR SEC – OFF
HI LOAD EVAP – OFF
Wait 2 min
6. FLASH EVAP CNTLR SEC – ON
Wait 30 sec
FLASH EVAP CNTLR SEC – OFF
Wait 30 sec
7. Repeat step 6 two additional times (three total),
then:
FLASH EVAP CNTLR SEC – ON

Cont next page

8. Proceed on MCC call (if no comm, wait minimum 7 min, then proceed when EVAP OUTs stable at 62 and TOP FWD(AFT) DUCT temps > 120 degF)

- * While waiting, if TOP FWD(AFT) *
- * DUCT temps < 40 degF (flush not *
- * successful), proceed to step 9 *

L1

9. FLASH EVAP CNTLR SEC – OFF
HI LOAD EVAP – ENA

If successful flush:

FLASH EVAP CNTLR PRI B – ON

If not successful flush:

FLASH EVAP CNTLR SEC – ON

10. √FLOW PROP VLV LOOP 1,2 tb (two) – ICH

11. RAD CNTLR OUT TEMP – NORM

RAD DEPLOY

NOTE

If RMS uncradled, √MCC for priority of RAD deploy/RMS ops. If MCC not available and RADs must be deployed immediately, continue ops. Expect PORT RAD, LAT 7-12, STBD LAT 1-6 to operate single motor

WARNING

To preclude inadvertent MPM cycling:
 cb MCA PWR AC2 3Φ MID 2
 cb MCA PWR AC3 3Φ MID 4
 must remain open if RMS uncradled

1. CONFIG CBS

MA73C:
C,D

If deploying single RAD and opposite RAD stowed, config cbs:

DESIRED ACTION	cb CONFIG
Deploy PORT RAD	cb MCA PWR AC1 3Φ MID 3 – op AC2 3Φ MID 2 – op AC3 3Φ MID 2 – op
Deploy STBD RAD	cb MCA PWR AC1 3Φ MID 1 – op AC2 3Φ MID 4 – op AC3 3Φ MID 4 – op

2. UNLATCH PANELS

R13L

√RAD LAT CNTL SYS A,B (two) – OFF
 √CNTL SYS A,B (two) – OFF
 √RAD,LAT PORT,STBD tb (four) match current RAD config
 PL BAY MECH PWR SYS 1,2 (two) – ON
 RAD LAT CNTL SYS A,B (two) – REL
 (√Deploying RAD LAT tb(s)-bp, ~30 sec REL)
 RAD LAT CNTL SYS A,B (two) – OFF

Cont next page

- * If deploying RAD LAT tb not REL in *
- * 30 sec: *
- * RAD LAT CNTL SYS A,B (two) – OFF *
- * Perform MAL, MECH, 9.2a *

3. DEPLOY PANELS

RAD CNTL SYS A,B (two) – DPY
 (√Deploying RAD tb(s)-bp, ~50 sec DPY)

RAD CNTL SYS A,B (two) – OFF

- * If deploying RAD tb(s) not bp after 10 sec *
- * and no motion, or *
- * If RAD panel(s) in transit and no motion, or *
- * If deploying RAD tb not DPY within 50 sec: *
- * RAD CNTL SYS A,B (two) – OFF *
- * Perform MAL, MECH, 9.2b *

PL BAY MECH PWR SYS 1,2 (two) – OFF

4. RECONFIG CBS

If cbs were opened for single RAD deploy,
 config cbs:

MA73C:
 C,D

COMPLETED ACTION	cb CONFIG
PORT RAD Deployed	cb MCA PWR AC1 3Φ MID 3 – cl AC2 3Φ MID 2 – cl (unless RMS uncradled) AC3 3Φ MID 2 – cl
STBD RAD Deployed	cb MCA PWR AC1 3Φ MID 1 – cl AC2 3Φ MID 4 – cl AC3 3Φ MID 4 – cl (unless RMS uncradled)

RAD STOW

NOTE

If RMS uncradled, PORT RAD, LAT 7-12,
and STBD LAT 1-6 will operate single motor
(cbs are pulled to safe MPMs)

WARNING

To preclude inadvertent MPM cycling:
cb MCA PWR AC2 3Φ MID 2
cb MCA PWR AC3 3Φ MID 4
must remain open if RMS uncradled

1. CONFIG CBS

MA73C:
C,D
If stowing single RAD and opposite RAD deployed,
config cbs:

DESIRED ACTION	cb CONFIG
Stow PORT RAD	cb MCA PWR AC1 3Φ MID 3 – op AC2 3Φ MID 2 – op AC3 3Φ MID 2 – op
Stow STBD RAD	cb MCA PWR AC1 3Φ MID 1 – op AC2 3Φ MID 4 – op AC3 3Φ MID 4 – op

2. STOW PANELS

R13L
√RAD LAT CNTL SYS A,B (two) – OFF
√CNTL SYS A,B (two) – OFF
√RAD,LAT PORT,STBD tb (four) match current RAD
config

PL BAY MECH PWR SYS 1,2 (two) – ON

RAD CNTL SYS A,B (two) – STO
√Stowing RAD tb-bp, ~50 sec STO
RAD CNTL SYS A,B (two) – OFF

Cont next page

- * If stowing RAD tb(s) not bp after 10 sec *
- * and no motion, or *
- * If RAD panel(s) in transit and no motion, *
- * or *
- * If stowing RAD tb(s) not STO within 100 *
- * sec and no motion: *
- * RAD CNTL SYS A,B (two) – OFF *
- * Perform MAL, MECH, 9.2b *

3. LATCH PANELS

RAD LAT CNTL SYS A,B (two) – LAT

√ Stowing RAD LAT tb-bp, ~30 sec, LAT

RAD LAT CNTL SYS A,B (two) – OFF

- * If stowing RAD LAT tb not LAT in 60 sec: *
- * RAD LAT CNTL SYS A,B (two) – OFF *
- * Perform MAL, MECH, 9.2a *

PL BAY MECH PWR SYS 1,2 (two) – OFF

4. RECONFIG cbs

If cbs were pulled for single RAD stow, config cbs:

MA73C:
C,D

COMPLETED ACTION	cb CONFIG
PORT RAD stowed	cb MCA PWR AC1 3Φ MID 3 – cl AC2 3Φ MID 2 – cl (unless RMS uncradled) AC3 3Φ MID 2 – cl
STBD RAD stowed	cb MCA PWR AC1 3Φ MID 1 – cl AC2 3Φ MID 4 – cl AC3 3Φ MID 4 – cl (unless RMS uncradled)

PCS 1(2) CONFIG

If FD1:
SM 66 ENVIRONMENT
CRT,O1 Report cabin pressure (two) to MCC
Expect possible 'S66 CAB O2(N2) FLO 1(2)' msg

MO10W 14.7 CAB REG INLET SYS 1(2) vlv – OP
2(1) vlv – CL

O2 REG INLET SYS 1(2) vlv – OP
2(1) vlv – CL
H2O TK N2 REG INLET SYS 1(2) vlv – OP
2(1) vlv – CL
√ISOL SYS 1,2 vlv (two) – OP
√PPO2 CNTLR SYS 1,2 (two) – NORM
√N2 XOVER vlv – CL
√PL O2 SYS 1,2 vlv – CL
√N2 SYS 1,2 vlv – CL

If no internal Airlock:
Middeck Floor √EMU O2 ISOL VLV – CL

L2 √O2 SYS 1,2 SPLY (two) – ctr (tb-OP)
√XOVR SYS 1,2 (two) – OP
√N2 SYS 1,2 SPLY (two) – ctr (tb-OP)
√REG INLET (two) – ctr (tb-OP)
O2/N2 CNTLR VLV SYS 1(2) – AUTO
√2(1) – CL

O1 √O2/N2 FLOW sel – SYS 1(2) O2
√PPO2 – SNSR A(B)

VENT SAFING
O14:D √cb MNA ATM PRESS CNTL CAB VENT – op
√VENT ISOL – op

TOPPING FES DEACTIVATION

L1 FLASH EVAP CNTLR PRI A,B – OFF
 SEC – OFF

Wait 30 min

PARAMETER NAME	PARA ID	SM ALERT	
		LOW	HIGH
EVAP TEMP TOPPING AFT	0631802	-10	
FWD	0631801	-10	
L DUCT	0631800	-10	
NOZ	0631878	-10	
R DUCT	0631810	-10	
NOZ	0631879	-10	

L1 TOP EVAP HTR DUCT sel – OFF
 NOZ L,R (two) – OFF

TOPPING FES STARTUP

1. HEATER ACTIVATION

L1 √TOP EVAP HTR DUCT sel – A(B,C)
 √NOZ L,R – A(B) AUTO

* If htrs were off, wait 90 min *

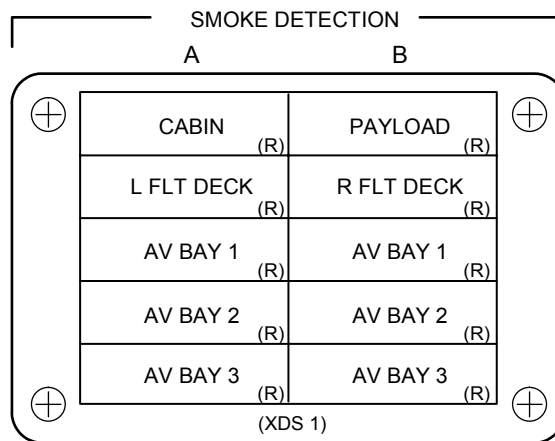
PARAMETER NAME	PARA ID	SM ALERT	
		LOW	HIGH
EVAP TEMP TOPPING AFT	0631802	100	
FWD	0631801	100	
L DUCT	0631800	50	
NOZ	0631878	40	
R DUCT	0631810	50	
NOZ	0631879	40	

2. FES STARTUP

SM SYS SUMM 2

CRT If FREON EVAP OUT TEMP > 41 and ≤ 47 degF:
 L1 RAD CNTLR OUT TEMP – HI
 CRT When FREON EVAP OUT TEMP > 50 degF,
 L1 RAD CNTLR OUT TEMP – NORM, then
 immediately:
 FLASH EVAP CNTLR PRI A(B) – ON
 CRT If FREON EVAP OUT TEMP ≤ 41 or > 47 degF:
 L1 FLASH EVAP CNTLR PRI A(B) – ON

SMOKE DETN CKT TEST



NOTE

If any SMOKE DETN It fails to illum (except PAYLOAD), open and close associated cb (pnl O14/O15/O16) and repeat test. For PART 2 TESTS only, allow 60 sec to take SMOKE DETN CKT TEST – OFF

CKT TEST A PART 1

- L1 SMOKE DETN CKT TEST – A
- √FIRE SUPPR AV BAY 1,2,3 pb (three) – lt on
 - Wait at least 5 sec (no more than 10 sec)
 - SMOKE DETN CKT TEST – OFF
 - √FIRE SUPPR AV BAY 1,2,3 pb (three) – lt off
 - √SMOKE DETN A lt (five) – on
 - √Siren – on
- F2 √MSTR ALARM pb – MSTR ALM lt on
– push (lt off)
- L1 SMOKE DETN SNSR – RESET
- √Above lights and siren – off

Cont next page

CKT TEST A PART 2

SMOKE DETN CKT TEST – A

√FIRE SUPPR AV BAY pb (three) – lt on

In 15-25 sec:

√SMOKE DETN A lt (five) – on

√Siren – on

F2 √MSTR ALARM pb – MSTR ALM lt on
MSTR ALARM pb – push (lt off)

L1 SMOKE DETN CKT TEST – OFF
SNSR – RESET

√Above lights and siren – off

CKT TEST B PART 1

SMOKE DETN CKT TEST – B

√FIRE SUPPR AV BAY pb (three) – lt on

Wait at least 5 sec (no more than 10 sec)

SMOKE DETN CKT TEST – OFF

√FIRE SUPPR AV BAY pb (three) – lt off

√SMOKE DETN B lt (four) – on (PL lt off)

√Siren – on

F2 √MSTR ALARM pb – MSTR ALM lt on
– push (lt off)

L1 SMOKE DETN SNSR – RESET

√Above lights and siren – off

CKT TEST B PART 2

SMOKE DETN CKT TEST – B

√FIRE SUPPR AV BAY pb (three) – lt on

In 15-25 sec:

√SMOKE DETN B lt (four) – on (PL lt off)

√Siren – on

F2 √MSTR ALARM pb – MSTR ALM lt on
MSTR ALARM pb – push (lt off)

L1 SMOKE DETN CKT TEST – OFF
SNSR – RESET

√Above lights and siren – off

Cont next page

SM SYS SUMM 1

CRT

Verify:

	1/A	2/B
SMOKE		
CABIN	-0.5 to +0.5	
L/R FD	-0.5 to +0.5	-0.5 to +0.5
AV BAY 1	-0.5 to +0.5	-0.5 to +0.5
2	-0.5 to +0.5	-0.5 to +0.5
3	-0.5 to +0.5	-0.5 to +0.5

If limits exceeded, √MCC

SHUTTLE/ISS H2O CONTAINER FILL (HC)

NOTE

For CWC or RSA EDV Tank fill. Assumes galley iodine removal hardware (GIRA) already installed. To minimize contamination possibility, avoid touching any internal parts of QDs or connections

EQUIPMENT PREPARATION

Unstow from designated stowage when needed:

_____ Towel(s), CWCs, Sample/Purge Kit (contains Sample Bags (mylar), Purge Bags (clear), Needle Adapter, Sampling Adapter), mineral and silver biocide syringe kits. Retrieve “-2” adapter (EDV QD Adapter) if filling EDVs

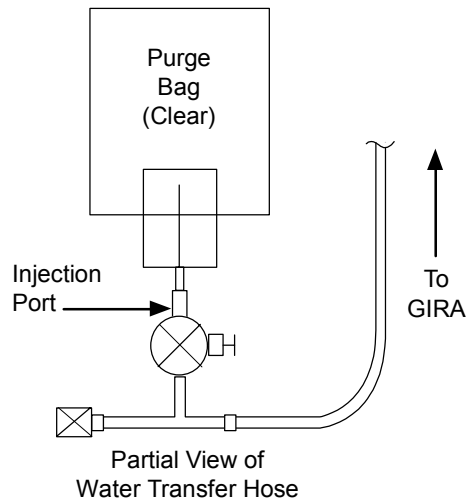
WATER TRANSFER HOSE PURGE (see fig 5-1)

NOTE

WATER TRANSFER HOSE PURGE reqd only if prior to first fill or three or more days since last fill

- ML90N
1. Retrieve Needle Adapter from Sample/Purge Kit. Attach to injection port on tee at end of CWC Hose coming from tee of previously installed ACTEX
 2. Remove cap on Needle Adapter and attach Purge Bag. Open valve on injection port and fill bag to capacity (about 12 ounces). Close valve when capacity reached
 3. Disconnect Purge Bag from Needle Adapter. Stow Purge Bag in Ziplock Bag and place in crew-designated location (Dry Trash). Replace cap on Needle Adapter and temp stow adapter until further use

Cont next page



jsc48035_004.cnv

Figure 5-1.- Initial purge setup; water transfer hose coming from GIRA.

CWC FILL (see fig 5-2)

NOTE

Potable water has both silver biocide and minerals added. Technical water has only silver biocide added

CAUTION

Do not squeeze CWC while filling. This may cause water backflow into connecting equipment and galley. Do not detach or move quantity measurement strap (if flown)

1. Retrieve desired number of CWCs. Report condition to MCC-H

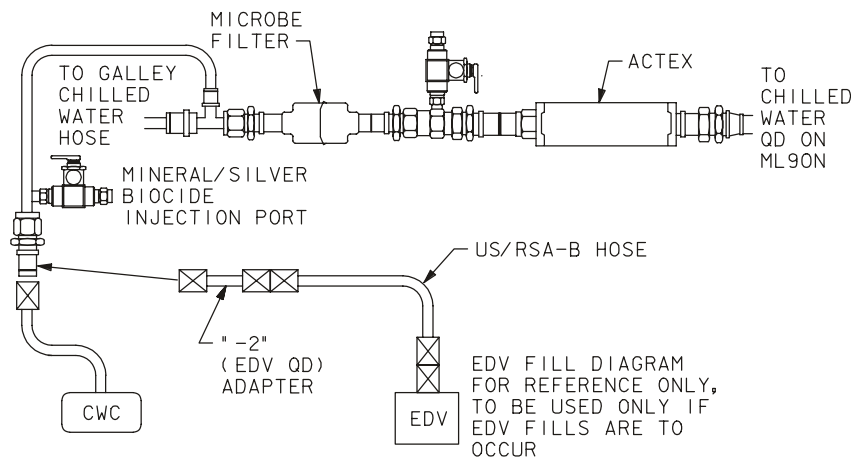
NOTE

For Potable CWCs, ALWAYS add minerals first.

CWC will begin filling as soon as connected to free end of ACTEX or Water Transfer Hose

Cont next page

- ML90N
2. Attach CWC to Water Transfer Hose
 3. Remove cap from syringe. At injection port nearest to CWC, remove cap and install syringe. Open valve on injection port and inject solution. Slowly withdraw syringe plunger fully, filling syringe with water, then reinject. Close valve on injection port when final injection complete
 4. Remove syringe and stow in empty syringe location



480350527_112. ART 1

Figure 5-2.- CWC or EDV fill setup.

FILL TERMINATION

1. If quantity indicator flow:
 - If no comm, terminate fill if quantity indicator shows yellow/white transition (see fig 5-3)
 - If comm, terminate fill on MCC call or when quantity indicator shows yellow/white transition, whichever occurs first
2. To terminate fill, disconnect CWC from Water Transfer Hose. Flow to CWC will stop when this action performed

Cont next page

3. If no samples reqd, fill out CWC label and temp stow CWC until transferred to ISS. If samples reqd, fill out CWC label, then go to CWC SAMPLING PROCEDURE and/or CARTRIDGE ASSEMBLY SAMPLING PROCEDURE
4. Report barcode and serial number (located on CWC label) to MCC-H

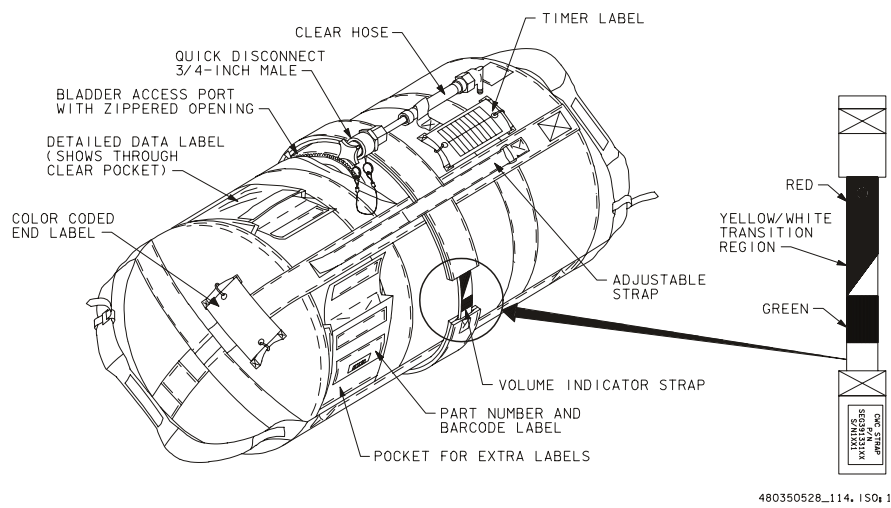


Figure 5-3.- Quantity measuring strap and CWC details.

Cont next page

CWC SAMPLING PROCEDURE (if reqd) (see fig 5-4)

NOTE

If filling Technical CWCs, use ONLY sampling hardware with green valve handle. Sampling hardware with blue handle is for Potable CWCs only

1. Retrieve Sample/Purge Kit and obtain Sampling Adapter. Connect Luer-lock end to Sample Bag. Connect QD end of Sampling Adapter to CWC. Ensure manual valve set to open posn. Fill bag (estimate visually) by squeezing CWC. When complete, close manual valve and remove Sample Bag. Fill out Sample Bag label, stow in Ziplock Bag, and place in crew-designated sample stowage location
2. Disconnect Sampling Adapter from CWC and stow in Sample/Purge Kit. Temp stow CWC until transferred to ISS

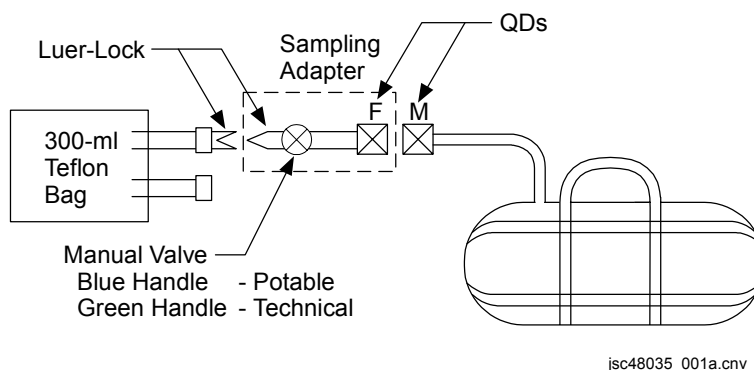


Figure 5-4.- CWC sample setup.

Cont next page

ACTEX CARTRIDGE SAMPLING PROCEDURE

(if reqd)

- ML90N
1. At injection port on ACTEX cartridge, remove cap, connect Needle Adapter
 2. Connect clear Purge Bag to Needle Adapter. Open valve on injection port and fill bag to ~4 oz (estimate visually)
 3. When complete, close valve on injection port and remove bag. Fill out label. Stow Sample Bag in Ziplock Bag and place in crew-designated sample stowage location
 4. Remove and temp stow Needle Adapter. Replace cap on injection port

EDV TANK FILL PROCEDURE (see fig 5-2)

NOTE

Procedure assumes WATER TRANSFER HOSE PURGE already completed

1. Retrieve desired number of EDV tanks (usually preassembled with lids), fill indicator, "-2" adapter, EDV tank hose (US-P5 or US/RSA-B)
- ML90N
2. Install "-2" adapter to Water Transfer Hose
 3. Attach free end of "-2" adapter to EDV tank hose, and free end of hose to EDV tank hose fitting (remove cap if present)

Cont next page

NOTE

EDV will begin filling as soon as it is connected to “-2” adapter

4. On EDV tank lid, remove plug from fitting designated “Supply Pressure” (ПОДАЧА ДАБЛЕНИЯ). Remove plug from opposite fitting and install fill indicator (no filter screen present)

NOTE

For Potable EDVs, ALWAYS add minerals first

5. Remove cap from syringe. At injection port nearest to EDV, remove cap and install syringe. Open valve on injection port and inject only HALF of syringe contents. When complete, remove syringe and replace syringe cap. Restow syringe
6. Retrieve empty syringe from syringe kit and remove cap. Verify syringe plunger fully depressed. At injection port nearest to EDV, install empty syringe. Slowly withdraw syringe plunger fully, filling syringe with water, then reinject. Repeat once. After last reinjection, remove empty syringe and replace cap on syringe and injection port
7. On MCC-H call, check that EDV fill indicator shows red band. If red band shows, disconnect EDV from tank hose
8. Remove fill indicator from fitting and replace plug. Install other plug on “Supply Pressure” (ПОДАЧА ДАБЛЕНИЯ) fitting. Reinstall cap on tank hose fitting on lid (if cap present). Label EDV as reqd using spare labels from kit, then temp stow EDV until transferred to ISS

CWC OVERBOARD DUMP

NOTE

Use for dump of CWC(s) containing waste or supply water or condensate. If CWC hose contains waste or condensate, use CWC hose instead of Y-Y hose.

If PASS SM available, monitor waste dumpline and nozzle temps; otherwise, dump only when MCC available to monitor.

Have towels ready to absorb any liquid released when mating or demating QDs

A. DUMP PREP

CAUTION

Waste Dump Isol Vlv must be closed before WWD filter and hose/CWC are connected to Cont H2O X-tie Waste QD

- | | |
|-------|-------------------------------------------------|
| ML31C | 1. WASTE H2O DUMP ISOL VLV – CL (tb-CL) |
| BOB | 2. Obtain CWCs to be dumped |
| CHCK | Unstow WWD filter |
| | Unstow Y-Y(CWC) hose |
| WCS | 3. Connect female end of WWD filter to Cont H2O |
| Outbd | X-tie Waste QD (upper QD with yellow Velcro |
| Wall | and “WASTE” label) |
| | Connect Y-Y(CWC) hose to male end of WWD |
| | filter |
| | Connect free end of Y-Y(CWC) hose to CWC |

Cont next page

B. PRE-DUMP FDA

NOTE

Change limits via table or request MCC TMBU.

If entering CWC OVERBOARD DUMP after performing waste-only or simo supply/waste dump, these limits already in place:

CRT

SM 60 SM TABLE MAINT

PARAMETER NAME	PARA ID	SM ALERT	
		LOW	HIGH
WASTE H2O NOZ T A	0620520	50	250
B	0620519	50	250

On MCC GO, proceed to step C

C. HEATER ACTIVATION

CAUTION

Tile debonding may occur if nozzle temps exceed 350 deg F

CRT

SM 66 ENVIRONMENT

1. √WASTE H2O DMP LN T > 50

- * If WASTE H2O DMP LN T ≤ 50, *
- * enable 2nd htr: *
- * cb MNB(MNA) H2O LINE *
- * HTR B(A) – cl *

ML86B:A

ML31C

2. WASTE H2O DUMP VLV ENA/NOZ HTR – ON
3. √VLV – CL (tb-CL)
4. √ISOL VLV – CL (tb-CL)

D. DUMP INITIATION

CRT

1. When WASTE H2O NOZ T A,B (two) > 250 (~8-10 min), continue

ML31C

2. WASTE H2O DUMP VLV – OP (tb-OP)

CRT

3. √NOZ T A,B (two) – not incr

Cont next page

4. If dumping multiple CWCs sequentially:
When CWC empty,
- ML31C 5. WASTE H2O DUMP VLV – CL (tb-CL)
Disconnect empty CWC and temp stow
Connect next CWC
- CRT 6. When WASTE H2O NOZ T A,B (two)
> 150,
- ML31C 7. WASTE H2O DUMP VLV – OP
(tb-OP)
- CRT If 'S66 WASTE H2O TEMP', WASTE H2O NOZ
T A(B) '↓', then:
- ML31C 8. WASTE H2O DUMP VLV – CL (tb-CL)
- CRT 9. When WASTE H2O NOZ T A,B (two)
> 150 (~4 min),
- ML31C 10. WASTE H2O DUMP VLV – OP (tb-OP)

NOTE

Periodically monitor CWC and hose. Ensure no hose kinks or signs of CWC collapse

E. DUMP TERMINATION

Terminate on MCC call, or if no comm, upon any signs of CWC collapse

- ML31C 1. WASTE H2O DUMP VLV – CL (tb-CL)
Disconnect CWC from Y-Y(CWC) hose, and
temp stow empty CWC
- CRT 2. When WASTE H2O NOZ T A,B (two) > 250
(~8 min),
- ML31C 3. WASTE H2O DUMP VLV ENA/NOZ
HTR – OFF
4. √WASTE H2O DUMP VLV tb – bp
- ML86B:A * If WASTE H2O NOZ T A,B (two) incr: *
- * cb MNA WASTE H2O DUMP *
- * VLV/NOZ HTR – op *

Cont next page

- WCS
Outbd
Wall
- ML31C
- CHCK
BOB
- F. POST-DUMP RECONFIG
1. Disconnect WWD filter from Cont H2O X-tie Waste QD and Y-Y(CWC) hose from filter
2. WASTE H2O DUMP ISOL VLV – OP (tb-OP)
- G. STOW CWC HARDWARE
If additional CWC dump(s) to be performed later:
1. Temp stow WWD filter (unless dumping PWR immediately following) (place filter in Ziplock Bag) and Y-Y(CWC) hose
- If final CWC/PWR dump of flight:
2. Stow Y-Y(CWC) hose
3. Stow WWD filter (place filter in Ziplock Bag)
- H. POST-DUMP FDA CLEANUP
Change limits via table or request MCC TMBU:
SM 60 SM TABLE MAINT

PARAMETER NAME	PARA ID	SM ALERT	
		LOW	HIGH
WASTE H2O NOZ T A	0620520	-82	250
B	0620519	-82	250

CABIN TEMP CONTROLLER RECONFIG – 2(1)

- L1 CAB TEMP sel – WARM
Wait 10 sec, then:
CAB TEMP CNTLR – OFF
- MD44F Pin CAB TEMP CNTL act link – SEC(PRI) ACT
- L1 CAB TEMP CNTLR – 2(1)
sel – as reqd

SHUTTLE CONDENSATE COLLECTION

SETUP

1. Unstow:
 - Y-Y Hose
 - Contingency Water Container (CWC),
report barcode and serial number to MCC
 - Towel
 - Gray Tape
2. Attach CWC to Y-Y Hose
3. Label CWC with Gray Tape marked
"CONDENSATE, DO NOT TRANSFER TO ISS"
- ML86B:B 4. cb MNB WASTE H2O TK1 DRAIN – cl

NOTE

Catch any water droplets with towel. Waste Tank Drain config (step 6) should be performed ASAP after attaching Y-Y Hose to Condensate QD to prevent possible backflow of waste tank contents into condensate CWC

Middeck

- Flr 5. Attach Y-Y Hose to Condensate QD
- ML31C 6. WASTE H2O TK1 DRAIN VLV – CL (tb-CL)
- ML86B:B 7. cb MNB WASTE H2O TK1 DRAIN – op
8. Position, secure all hardware
9. Mark start MET on CWC label
10. Notify MCC, "CONDENSATE FILL INITIATED"
11. ✓CWC fill progress every 24 hr

CHANGEOUT

NOTE

Catch any water droplets with towel

1. Obtain empty CWC
2. Verify S/N with MCC
3. Disconnect Condensate CWC from Y-Y Hose
4. Connect empty CWC to free end of Y-Y Hose
5. Notify MCC, "CONDENSATE FILL INITIATED"
6. Temp stow full CWC

TEARDOWN

- ML86B:B 1. cb MNB WASTE H2O TK1 DRAIN – cl
- ML31C 2. WASTE H2O TK1 DRAIN VLV – OP (tb-OP)
- ML86B:B 3. cb MNB WASTE H2O TK1 DRAIN – op

NOTE

Catch any water droplets with towel

4. Remove, stow all hardware

PWR DUMP-WASTE LINE

NOTE

If PASS SM available, monitor waste dumpline and nozzle temps, otherwise dump only when MCC available to monitor. Have towels ready to absorb any liquid released when mating or demating QDs

CAUTION

Waste Dump Isol Vlv must be closed before WWD filter and hose/PWR are connected to Cont H2O X-tie Waste QD

1. DUMP PREP

Obtain Payload Water Reservoirs (PWRs) to be dumped

BOB

Unstow Waste Water Dump (WWD) filter

NOTE

B-B hose, R-Y QD adapter referenced in steps below are stowed in ziplock bag labeled "PWR VENTING HARDWARE ONLY", and are to be obtained from ISS stowage if not already transferred

Unstow B-B hose

Unstow R-Y QD adapter

ML31C

WASTE H2O DUMP ISOL VLV – CL (tb-CL)

WCS
Outbd
Wall

Connect female end of WWD filter to Cont H2O X-tie Waste QD (upper QD with yellow Velcro and "WASTE" label)

Connect yellow end of R-Y QD adapter to free end of WWD filter

Connect B-B hose to free end of R-Y QD adapter

Connect free end of B-B hose to PWR

2. Change limits via table, or request MCC TMBU:

SM 60 TABLE MAINT

PARAMETER NAME	PARA ID	SM ALERT	
		LOW	HIGH
WASTE H2O NOZ T A	0620520	50	250
B	0620519	50	250

Cont next page

3. HEATER ACTIVATION

SM 66 ENVIRONMENT

√WASTE H2O DMP LN T > 50

ML86B:A * If WASTE H2O DMP LN T ≤ 50, *
* enable second heater: *
* cb MNB(MNA) H2O LINE HTR B(A) – cl *

ML31C WASTE H2O DUMP VLV ENA/NOZ HTR – ON
√VLV – CL (tb-CL)
√ISOL VLV – CL (tb-CL)

CAUTION

Tile debonding may occur if nozzle
temps exceed 350 degF

4. DUMP INITIATION

CRT When WASTE H2O NOZ T A,B (two) > 250
(8-10 min):

ML31C WASTE H2O DUMP VLV – OP (tb-OP)
CRT √NOZ T A,B (two) – not incr

If dumping multiple PWRs sequentially:

When PWR empty:

ML31C WASTE H2O DUMP VLV – CL (tb-CL)
Disconnect empty PWR and temp stow
Connect next PWR

CRT When WASTE H2O NOZ T A,B (two) > 150,
ML31C WASTE H2O DUMP VLV – OP (tb-OP)

If 'S66 WASTE H2O TEMP', WASTE H2O NOZ T
A(B) '↓' msgs:

ML31C * WASTE H2O DUMP VLV – CL (tb-CL) *
CRT * When WASTE H2O NOZ T A,B (two) > 250 *
* (~8 min), *
ML31C * WASTE H2O DUMP VLV – OP (tb-OP) *

NOTE

Periodically monitor PWR and B-B
hose. Ensure no hose kinks or signs
of PWR collapse

Cont next page

5. DUMP TERMINATION

When PWR empty:

- ML31C WASTE H2O DUMP VLV – CL (tb-CL)
Disconnect PWR from B-B hose and temp stow
- CRT When WASTE H2O NOZ T A,B (two) > 250
(~8 min):
- ML31C WASTE H2O DUMP VLV ENA/NOZ HTR – OFF
√tb – bp
- CRT * If WASTE H2O NOZ T A,B (two) still incr: *
- ML86B:A * cb MNA WASTE H2O DUMP *
- * VLV/NOZ HTR – op *

6. POST-DUMP RECONFIG

- WCS Disconnect WWD filter from Cont H2O X-tie
- Outbd Waste QD, R-Y QD adapter from filter, and
- Wall B-B hose from adapter
- ML31C WASTE H2O DUMP ISOL VLV – OP (tb-OP)

Stow empty PWR(s)

If additional PWR dump(s) to be performed later:

Temp stow WWD filter, B-B hose, and R-Y QD adapter (place equipment in Ziplock Bags)

If final PWR dump of flight:

- Stow B-B hose (place in Ziplock Bag)
- Stow R-Y QD adapter (place in Ziplock Bag)
- Stow WWD filter (place in Ziplock Bag)

BOB

7. POST-DUMP FDA CLEANUP

Change limits via table, or request MCC TMBU:

SM 60 TABLE MAINT

PARAMETER NAME	PARA ID	SM ALERT	
		LOW	HIGH
WASTE H2O NOZ T A	0620520	-82	250
B	0620519	-82	250

PWR DUMP-SUPPLY LINE

NOTE

If PASS SM available, monitor waste dumpline and nozzle temps, otherwise dump only when MCC available to monitor. Have towels ready to absorb any liquid released when mating or demating QDs

CAUTION

Supply Dump Isol Vlv must be closed before PWR is connected to Cont H2O X-tie Potable QD

1. DUMP PREP

Obtain Payload Water Reservoirs (PWRs) to be dumped

CHCK Unstow B-B hose and R-Y QD adapter

R11L SPLY H2O DUMP ISOL VLV – CL (tb-CL)

WCS Connect yellow end of R-Y QD adapter to Cont H2O
 Outbd X-tie Potable QD (lower QD with blue Velcro and
 Wall “POTABLE” label)
 Connect B-B hose to free end of R-Y QD adapter
 Connect free end of B-B hose to PWR

2. Change limits via table, or request MCC TMBU:

SM 60 TABLE MAINT

PARAMETER NAME	PARA ID	SM ALERT	
		LOW	HIGH
SUPPLY H2O NOZ T A B	0620440	90	250
	0620439	90	250

Proceed to step 3

Cont next page

3. HEATER ACTIVATION

SM 66 ENVIRONMENT

√SUPPLY H2O DMP LN T > 65

- * If SUPPLY H2O DMP LN T < 65, *
- * enable second heater: *
- ML86B:A * cb MNB(MNA) H2O LINE HTR B(A) – cl *
- R11L SPLY H2O DUMP VLV ENA/NOZ HTR – ON
- √VLV – CL (tb-CL)
- √ISOL VLV – CL (tb-CL)

4. DUMP INITIATION

- CRT When SUPPLY H2O NOZ T A,B (two) > 150
- (8-10 min):
- R11L SPLY H2O DUMP VLV – OP (tb-OP)
- CRT √NOZ T A,B (two) – not incr

CAUTION

Tile debonding may occur if nozzle temps exceed 350 degF

If dumping multiple PWRs sequentially:

- When PWR empty:
- R11L SPLY H2O DUMP VLV – CL (tb-CL)
- Disconnect empty PWR and temp stow
- Connect next PWR
- CRT When SUPPLY H2O NOZ T A,B (two) > 150,
- R11L SPLY H2O DUMP VLV – OP (tb-OP)
- CRT If 'S66 SPLY H2O TEMP', SPLY H2O NOZ T A(B)
- '↓' msgs:
- R11L * SPLY H2O DUMP VLV – CL (tb-CL) *
- CRT * When SUPPLY H2O NOZ T A,B (two) > 250 *
- * (~8 min), *
- R11L * SPLY H2O DUMP VLV – OP (tb-OP) *

NOTE

Periodically monitor PWR and B-B hose. Ensure no hose kinks or signs of PWR collapse

Cont next page

5. DUMP TERMINATION

- R11L SPLY H2O DUMP VLV – CL (tb-CL)
 Disconnect PWR from B-B hose and temp stow
 CRT When SUPPLY H2O NOZ T A,B (two) > 250
 continue:
 R11L SPLY H2O DUMP VLV ENA/NOZ HTR – OFF
 √VIV tb – bp
- CRT * If SUPPLY H2O NOZ T A,B (two) still incr: *
 ML86B:A * cb MNC SPLY H2O DUMP VLV/NOZ *
 * HTR – op *

6. POST-DUMP RECONFIG

- WCS Disconnect R-Y QD adapter from Cont H2O X-tie
 Outbd Potable QD, and B-B hose from adapter
 Wall
 R11L SPLY H2O DUMP ISOL VLV – OP (tb-OP)
- Stow empty PWR(s)
 If additional PWR dump(s) to be performed later:
 Temp stow B-B hose and R-Y QD adapter (place
 equipment in Ziplock Bags)
- If final PWR dump of flight:
 Stow B-B hose (place in Ziplock Bag)
 Stow R-Y QD adapter (place in Ziplock Bag)

7. POST-DUMP FDA CLEANUP

Change limits via table, or request MCC TMBU:

SM 60 TABLE MAINT

PARAMETER NAME	PARA ID	SM ALERT	
		LOW	HIGH
SUPPLY H2O NOZ T A	0620440	-82	250
B	0620439	-82	250

PWR FILL

- E-Lk 1. Unstow EMU Water Recharge Bag(s) (Payload Water Reservoir) from E-Lk floor bin, as reqd

CAUTION
Do not use water bags containing orange cards. These bags not certified for EMU use

2. Transfer bag(s) to orbiter galley

WATER FILL (On MCC-H Call)

NOTE
Do not perform galley ops or CWC fills while filling EMU Water Recharge Bags

If SPLY H2O XOVR VLV – CL (tb-bp) (water transfer config):

- R11L 3. SPLY H2O TKA OUTLET – CL (tb-CL)
SM 60 TABLE MAINT
4. Use TKA quantity:
PARAM ID – ITEM 1 +0 6 2 0 4 1 0 EXEC
5. Log bag serial number/barcode and TKA % value before recharge. Report bag serial number/barcode to MCC-H

Bag Serial Number/Barcode	H2O TKA %

CAUTION
Do not overfill EMU Water Recharge Bag as damage to bag may occur

Cont next page

NOTE

Full charge = 12% change in TKA quantity and requires ~30 min

- Galley
6. MV2 vlv → Max AMB
 7. EMU Water Recharge Bag QD →|← Orbiter Galley Aux Port
 8. Set timer for 30 min
Attach timer to Velcro square on EMU Water Recharge Bag
 9. √H2O TKA quantity decr

VERIFYING WATER FILL

After ~30 min:

SM 60 TABLE MAINT

10. Use TKA quantity:
PARAM ID – ITEM 1 +0 6 2 0 4 1 0 EXEC
11. Log bag serial number/barcode and TKA % value after recharge

Bag Serial Number/Barcode	H2O TKA %

NOTE

Full charge = 12% change in TKA quantity

To terminate fill:

12. EMU Water Recharge Bag ←|→ Orbiter Galley Aux Port
13. Temp stow EMU Water Recharge Bag for transfer to ISS

Cont next page

14. Repeat steps 4-13 for remaining bag(s)

After last bag filled:

Galley 15. MV2 vlv – as reqd

If SPLY H2O XOVR VLV – CL (tb-bp) (water transfer config):

R11L 16. SPLY H2O TKA OUTLET – OP (tb-OP)

17. Record fill date and quantity for bag(s) on white card. Report bag(s) serial number, fill date, and quantity of bags to MCC-H as comm permits

18. Transfer bag(s) to ISS

E-Lk 19. Stow bag(s) in floor bins

**GALLEY IODINE REMOVAL ASSEMBLY (GIRA)
INSTALLATION**

(Time: 1 hr)

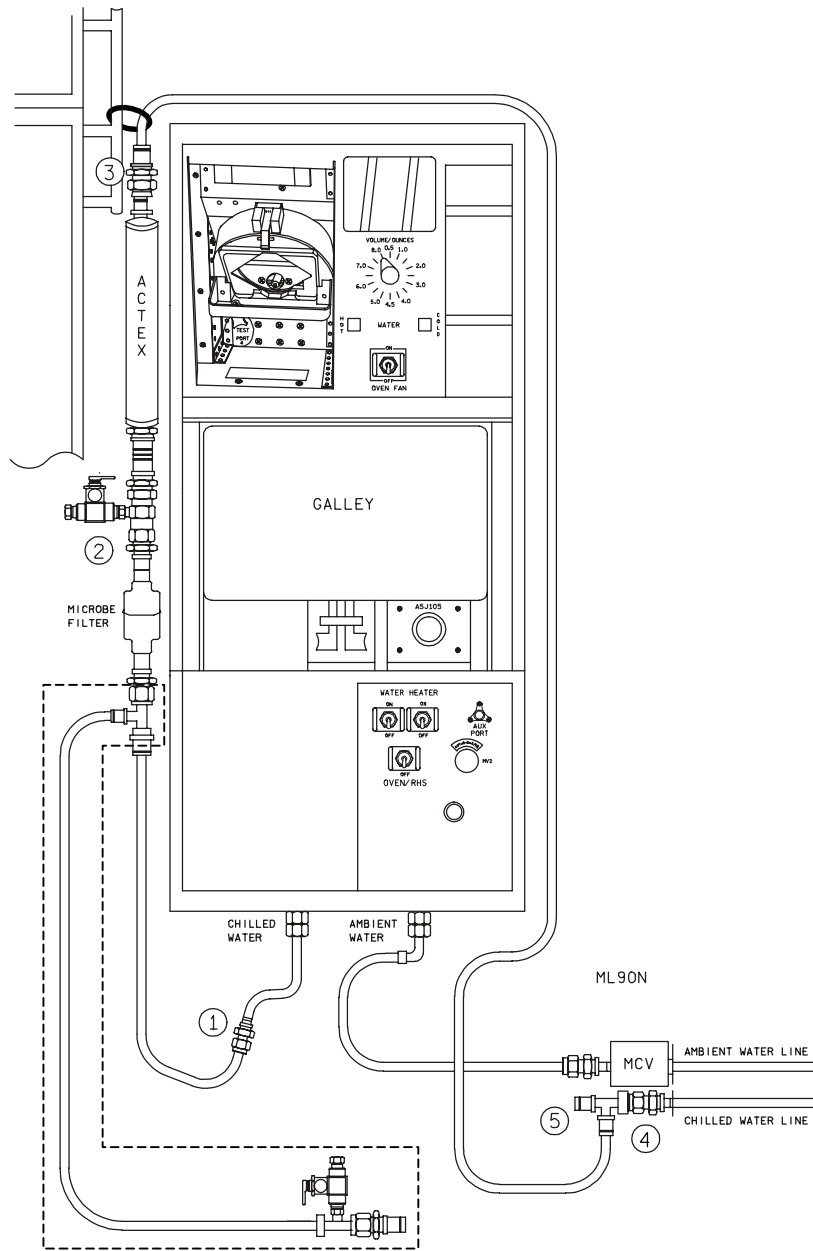
EQUIPMENT PREPARATION

MCV (short metal cartridge)
ACTEX hose (labeled #3,4,5)
ACTEX (large insulated cartridge labeled #2,3)
Hose/Microbe filter (wrapped in washcloth)
assembly (labeled #1,2)

NOTE

Have towel ready for possible release of
water when mating/demating connections.
Numbered figure labels are indicated in ()

- ML90N
1. Remove tie-wrap (if present) connecting Galley Ambient and Chilled hoses
Detach Galley Ambient and Chilled hoses from QD bracket
 2. Install MCV on Ambient (uninsulated) supply line by connecting MCV to Ambient QD at QD bracket and connecting Galley Ambient supply hose to other end of MCV (see fig 5-5)
 3. Connect Hose (#1) assembly to Galley Chilled (insulated) hose
 4. Attach ACTEX (#2) to Hose/Microbe filter assembly (#2)
 5. Attach ACTEX hose (#3) to ACTEX assembly (#3)
 6. Connect ACTEX hose (#4) to Chilled QD at QD bracket
 7. Secure ACTEX assembly as reqd (see fig 5-5)
Ensure access to locker MF14O
 8. Circulate water through galley:
Galley OVEN/RHS – OFF,ON



NOTE

Water Transfer Hose only present for water transfer

480350528_112_PNL42

Figure 5-5.- GIRA config (connections and routing).

GALLEY OVERNIGHT CONFIG

(Time: 5 min)

NOTE

Have towel ready for possible release of water when mating/demating connections

- ML90N
1. Disconnect Galley Chilled hose from GIRA hose (#1)
 2. Connect Galley Chilled hose to free end (#5) of Tee attached to Chilled QD at QD bracket
 3. Circulate water through galley:
OVEN/RHS – OFF,ON
- Galley

NOTE

FOLLOWING step 3, to avoid noise from recirc pump cycling overnight, OVEN/RHS sw can be taken to OFF. Take sw to ON as needed for dispenses overnight

GALLEY MORNING CONFIG

(Time: 5 min)

NOTE

Have towel ready for possible release of water when mating/demating connections

- ML90N
1. Disconnect Galley Chilled hose from Tee (#5) attached to Chilled QD at QD bracket
 2. Connect Galley Chilled hose to GIRA hose (#1)
 3. Circulate water through galley
If sw OFF:
| OVEN/RHS – ON
If sw ON:
OVEN/RHS – OFF,ON
- Galley

GALLEY WATER SAMPLE

(Time: 5 min)

NOTE

Each Galley Water Sample Kit consists of a Ziplock bag containing a Sample Bag and Teflon Luer adapter. Luer adapter is inside a sterile pouch

Retrieve Galley Water Sample Kits from _____:

1. Unpackage Luer adapter and Sample Bag from one kit
2. Remove tethered cap from bag sample port
3. Affix Luer adapter to Sample Bag
4. Wipe RHS needle with Wet Wipe
5. Fill one Sample Bag with 8 oz hot water
6. Detach Luer adapter from Sample Bag
7. Replace cap on bag sample port
8. Fill out label (circle hot or cold, record MET)
9. Return Sample Bag and Luer adapter to Galley Water Sample Kit
10. Repeat steps 1 thru 9 EXCEPT, in step 5, fill Sample Bag with 8 oz chilled water
11. Stow Sample Kits in an empty fresh food locker

GIRA STOWAGE

(Time: 15 min)

NOTE

Have towel ready for possible release of water when mating/demating connections

- | | |
|----------------|----------------------------------------------------------------------------------------------------------------------------------------------------------------------------------------------------------|
| MAR/
Galley | 1. Remove all black Velcro/Gray Tape from Chilled line assembly and hoses
Leave insulation covers in place |
| ML90N | 2. Detach Galley Chilled hose (insulated) from Hose/Microbe filter (#1)
Disconnect ACTEX hose from QD bracket |
| | 3. Detach Galley Ambient hose (uninsulated) from MCV
Remove MCV from QD bracket
Reconnect Galley Ambient and Chilled hoses to QD bracket |
| | 4. Break down assembly formerly installed on Chilled line into subassemblies as follows:
Between ACTEX hose and ACTEX cartridge (#3)
Between ACTEX cartridge and Hose/Microbe filter assembly (#2) |
| | 5. Resecure Galley Ambient and Chilled hoses with tie-wrap (if present) |
| | 6. Return hardware to launch stowage location |

NOMINAL H2O CONFIG

ML86B:A	cb MNB SPLY H2O TKB INLET – cl
	MNC SPLY H2O XOVR VLV – cl
R11L	SPLY H2O TKA OUTLET – CL (tb-CL)
	TKB INLET – OP (tb-OP)
	XOVR VLV – OP (tb-OP)
L1	FLASH EVAP CNTLR PRI B – OFF

If FES reqd, go to TOPPING FES STARTUP, 5-21,
using FLASH EVAP CNTLR PRI A

CWC VENTING

OBJECTIVE: Provide method for venting Contingency Water Containers (CWCs) to vacuum to remove residual air and water

A. PRE-DUMP FDA

If comm, MCC will TMBU nozzle limits and provide duration as reqd
If no comm, change limits via table:

SM 60 TABLE MAINT

PARAMETER NAME	PARA ID	SM ALERT	
		LOW	HIGH
SUPPLY H2O NOZ T A	0620440	90	250
B	0620439	90	250

B. CWC VENTING

CAUTION

Supply Dump Isol Vlv must be closed before CWC hose connected to CONT H2O X-TIE POTABLE QD

R11L

1. SPLY H2O DUMP ISOL VLV – CL (tb-CL)
2. VLV ENA/NOZ HTR – ON
√VLV – CL (tb-CL)

SM 66 ENVIRONMENT

- * If SUPPLY H2O DMP LN T < 65, enable *
* second htr *
ML86B:A * cb MNB(MNA) H2O LINE HTR B(A) – cl *

NOTE

If Supply H2O Dump Line Purge Device installed, remove before step 3 and temp stow. Device may be reinstalled prior to next supply water nozzle dump

Cont next page

WCS
Outbd

3. Obtain CWC hose from CHCK and attach to CWC. If not complete, attach free end of hose Wall to CONT H2O X-TIE POT QD (lower QD with blue Velcro and "POTABLE" label)

CRT

4. When SUPPLY H2O NOZ T A,B (two) exceed 150 (~5 min warmup time), continue

CAUTION

Tile debonding may occur if nozzle temps exceed 350 degF

NOTE

Next step initiates venting of CWC. Estimated time of completion is ~5 min per CWC vented.

During venting, have one crew hold CWC flat on flat surface while another crew works air/water pockets towards CWC outlet

R11L

5. SPLY H2O DUMP VLV – OP (tb-OP)

WCS
Outbd
Wall

6. When venting complete, or if CWC begins to crumple, disconnect CWC from CWC hose
7. Repeat steps 3,4, and 6 for all desired CWCs. When ALL CWCs have been evacuated, disconnect all hardware from CONT H2O X-TIE POT QD and stow

R11L

8. SPLY H2O DUMP VLV – CL (tb-CL)

CRT

9. When SUPPLY H2O NOZ T A,B (two) exceed 250, continue

R11L

- SPLY H2O DUMP VLV ENA/NOZ HTR – OFF
- √SPLY H2O DUMP VLV tb – bp

CRT

10. √SUPPLY H2O NOZ T A,B (two) – not incr

Cont next page

ML86B:A * If SUPPLY H2O NOZ T A,B (two) incr: *
 * cb MNC SPLY H2O DUMP VLV/NOZ *
 * HTR – op *

R11L 11. SPLY H2O DUMP ISOL VLV – OP (tb-OP)

C. POST-DUMP FDA

If comm, MCC will TMBU nozzle limits

If no comm, change limits via table:

SM 60 TABLE MAINT

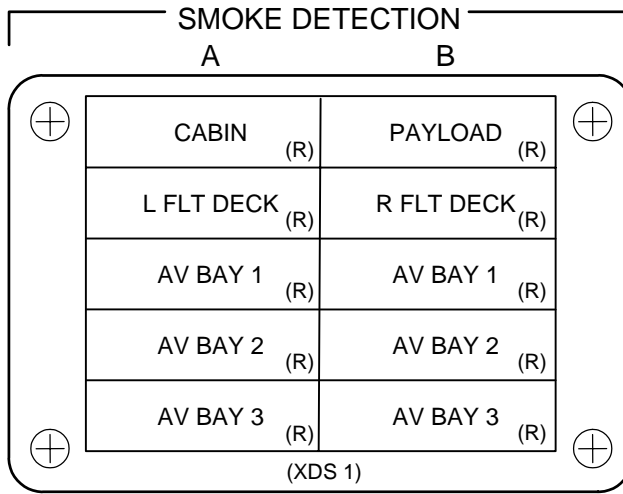
PARAMETER NAME	PARA ID	SM ALERT	
		LOW	HIGH
SUPPLY H2O NOZ T A	0620440	-82	250
B	0620439	-82	250

EPS

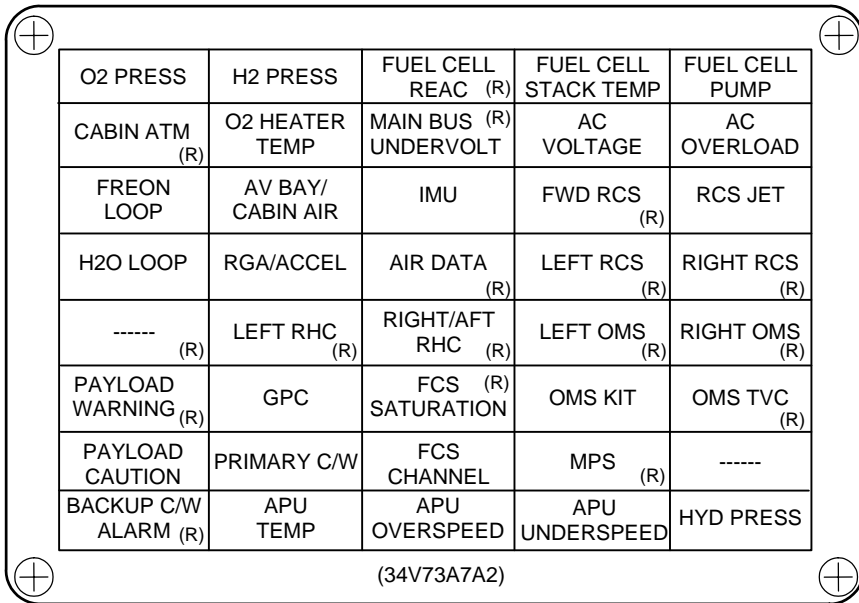
LAMP TEST 6-2
HEATER RECONFIG – CONFIG B(CONFIG A) 6-5
FUEL CELL PURGE – AUTO, SM 2(4) 6-6
 – MANUAL 6-7
 VI PERFORMANCE PLOT 6-8
CRYO O2 TK HTR SNSR CK..... 6-9
EDO PALLET CRYO O2 TK HTR SNSR CK..... 6-10
 ACTIVATION 6-11
 DEACT..... 6-11
FC MONITORING SYS (FCMS) OPS..... 6-12

EPS

LAMP TEST



C/W PANEL



EPS

Cont next page

FORWARD STATION

O6/O8 ANNUN LAMP TEST – L, hold
√78 lights – illuminated:
O1 CAM lts (25)
F2 MSTR ALARM (1)
Aerodynamic controls (7)
DRAG CHUTE (2)
F3 NWS FAIL (1)
DRAG CHUTE (1)
L1 FIRE SUPPR AV BAY (3)
SMOKE DETN (10)
F6 LDG GEAR (2)
ABORT (1)
RCS CMD (3)
RANGE SAFE ARM (1)
F7 SM ALERT (1)
C/W panel – partial (20)

O6/O8 ANNUN LAMP TEST – R, hold
√61 lights – illuminated:
F4 MSTR ALARM (1)
Aerodynamic controls (7)
DRAG CHUTE (1)
F3 ANTISKID FAIL (1)
DRAG CHUTE (2)
F8 LDG GEAR (2)
F7 MN ENG STAT (3)
C/W panel – partial (20)
C3 DAP PANEL (24)

MIDDECK (Verified by second crewmember)

O6/O8 ANNUN LAMP TEST – L, hold
MO29J √MIC KEY light – illuminated
O6/O8 ANNUN LAMP TEST – R, hold
√5 lights – illuminated:
MO52J MSTR ALARM light (1)
MO51F RCRS CNTLR 1 (2)
RCRS CNTLR 2 (2)

Cont next page

AFT STATION
A6U ANNUN LAMP TEST – L, hold
√25 lights – illuminated:
DAP PANEL (24)
A2 MIC KEY (1)

A6U ANNUN LAMP TEST – R, hold
√28 lights – illuminated:
A7U MSTR ALARM (1)
VID IN (13)
OUT (8)
CAMR CMD ALC (3)
GAMMA (3)

C/W STATUS
R13U C/W LAMP TEST – L, hold
√STATUS lights – illuminated (60)
C/W LAMP TEST – R, hold
√STATUS lights – illuminated (60)

HEATER RECONFIG – CONFIG B(CONFIG A)

L1 TOP EVAP HTR NOZ (two) – B AUTO(A AUTO)
DUCT – B(A)

L2 FLASH EVAP FDLN HTR A,B SPLY (two) – 2(1)

A12 Perform APU HEATER RECONFIG (APU/HYD),
then:

A14 RCS/OMS HTR FWD RCS – B AUTO(A AUTO)
L POD – A OFF(A AUTO)
– B AUTO(B OFF)
R POD – A OFF(A AUTO)
– B AUTO(B OFF)

RCS/OMS HTR

OMS CRSFD LINES – A OFF(A AUTO)
– B AUTO(B OFF)

R11U FC H2O LINE HTR – B AUTO(A AUTO)
RELIEF HTR – B AUTO(A AUTO)

ML86B:A cb MNA H2O LINE HTR A – op(cl)
MNB H2O LINE HTR B – cl(op)

If no internal Airlock:

ML86B:C cb MNA EXT ARLK HTR
LINE ZN 1,2 (two) – op(cl)
STRUC Z1/2/3 – op(cl)

cb MNB EXT ARLK HTR
LINE ZN 1,2 (two) – cl(op)
STRUC Z1/2/3 – cl(op)

If docked:

cb MNA EXT ARLK HTR VEST Z1/2/3 – op(cl)
MNB EXT ARLK HTR VEST Z1/2/3 – cl(op)

If both RMS htrs active >>

A8L PORT RMS HTR A – OFF(AUTO)
B – AUTO(OFF)

FUEL CELL PURGE – AUTO, SM 2(4)

CAUTION

Do not purge FC if:

FC AMPS > 350

FC is shut down

Do not init auto purge within 1 hr of any
SM OPS transition or 3 hr of deorbit burn

R11U

FC PURGE VLV (three) – GPC

HTR – GPC

GPC PURGE SEQ – START

(After tb-gray, hold 3 sec)

- * If any flow '↑' alarm, *
- * (aff) FC PURGE VLV – CL *

FUEL CELL PURGE – MANUAL

R11U 1. TURN ON PURGE HEATERS
FC PURGE HTR – ON

CRT SM 69 FUEL CELLS
√PURGE LN O2 T > 69
√H2 T1 > 79
√T2 > 40

2. MANUAL PURGE SEQUENCE

NOTE

Fuel cells must be purged separately

CAUTION

Do not purge FC if:
FC AMPS > 350
FC is shut down
Within 3 hr of deorbit burn

CRT FC 1(2,3) FLOW O2 – note
H2 – note

R11U FC PURGE VLV 1(2,3) – OP

CRT √FC 1(2,3) FLOW O2 – incr ~3.3 (max)
√H2 – incr ~0.6 (max)

R11U * If any flow ‘↑’ alarm, *
* (aff) FC PURGE VLV – CL *

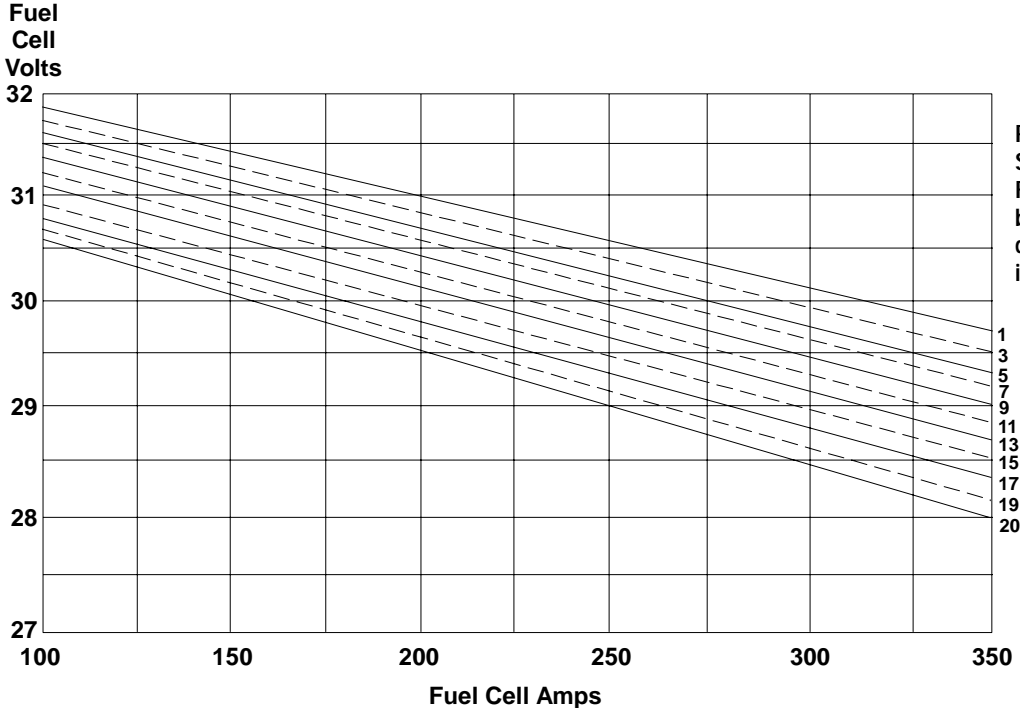
Wait 2 min
FC PURGE VLV 1(2,3) – GPC

CRT √FC 1(2,3) FLOW O2 – decr ~3.3 (max)
√H2 – decr ~0.6 (max)

Repeat step 2 for FCs 2 and 3
Wait at least 30 min, then continue

R11U 3. TURN OFF PURGE HEATERS
FC PURGE HTR – GPC

FUEL CELL VI PERFORMANCE PLOT



Note
 Record FC performance.
 Select a curve for each FC. A drop of 0.5 volts below a selected curve during subsequent check indicates a degraded FC

0 = FC1
 X = FC2
 Δ = FC3

6-8 ORB OPS/ALL/GEN K

CRYO O2 TK HTR SNSR CK

NOTE

Expect 'S68 O2 HTR TRP' msg
when htr sensor taken to test

SM 68 CRYO SYSTEM

- R1 1. Note O2 TK1 HTR sw posns
O2 TK1 HTRS A,B (two) – ON, pause 5 sec
- CRT 2. √HTR CUR SNSR 1A, 1B, 2A, 2B (four) not '↓'
- * If any HTR CUR SNSR 1A, 1B, 2A, *
 - * or 2B – '↓' *
 - * O2 TK1 HTRS A(B) (two) – OFF, then: *
 - * Go to step 7 *
- R1 3. O2 TK1 HTRS – TEST (1 sec)
- CRT 4. √HTR CUR SNSR 1A,1B,2A,2B (four) – '↓'
- * If HTR CUR SNSR 1A(1B) or 2A(2B) not '↓' *
 - * O2 TK1 HTRS A(B) – OFF, then: *
 - * If HTRS A(B) was in AUTO: *
 - * O2 TK1 HTRS B(A) – AUTO, then: *
 - * Go to step 6 *
- R1 5. O2 TK1 HTRS A,B (two) – previous posn
6. O2 TK1 HTRS – RESET
7. Repeat steps 1-6 for following:
O2 TK2 HTRS
TK3 HTRS
- A11 O2 TK4 HTRS (if 4th tk flown)
- A15 O2 TK5 HTRS (if 5th tk flown)
8. Report results to MCC

EDO PALLET CRYO O2 TK HTR SNSR CK

NOTE

Expect 'S168 O2 HTR TRP' msg
when htr sensor taken to TEST

SM 168 CRYO PALLET

- A15 1. Note O2 TK6 HTR sw posns
O2 TK6 HTRS A,B (two) – ON, pause 5 sec, then:
– TEST (1 sec)
- CRT 2. √HTR CUR SNSR 1A,1B,2A,2B (four) – '↓'
- * If HTR CUR SNSR 1A(1B)/2A(2B) not '↓': *
 - * O2 TK6 HTRS A(B) – OFF, then: *
 - * If HTRS A(B) was in AUTO: *
 - * O2 TK6 HTRS B(A) – AUTO *
 - * Go to step 4 *
- A15 3. O2 TK6 HTRS A,B (two) – previous posn
4. O2 TK6 – RESET
5. Repeat steps 1-4 for following:
O2 TK7 HTRS
TK8 HTRS
TK9 HTRS

EDO PALLET ACTIVATION

A15:H cb PALLET MNA,MNB TK6 O2 SNSR 1,2 (two) – cl
 :I TK7 O2 SNSR 1,2 (two) – cl
 :J TK8 O2 SNSR 1,2 (two) – cl
 :K TK9 O2 SNSR 1,2 (two) – cl

A15:B cb PPCA CONT PWR 1 (1/3 if OV105)
 ESS 1BC – cl
 cb PPCA CONT PWR 2 (2/4 if OV105)
 ESS 2CA – cl

A15:C PALLET PWR PPCA-1 (PPCA-1/3 if OV105)
 MNA – ON (tb-ON)
 PALLET PWR PPCA-2 (PPCA-2/4 if OV105)
 MNB – ON (tb-ON)
 PALLET HTRS A – AUTO

EDO PALLET DEACT

A15:C PALLET HTRS A,B (two) – OFF
 :D-G √PALLET O2,H2 TK6,TK7,TK8,TK9 HTRS A,B
 (sixteen) – OFF

A15:C PALLET PWR PPCA-1 (PPCA-1/3 if OV105)
 MNA – OFF (tb-OFF)
 PALLET PWR PPCA-2 (PPCA-2/4 if OV105)
 MNB – OFF (tb-OFF)

A15:B cb PPCA CONT PWR 1 (1/3 if OV105)
 ESS 1BC – op
 cb PPCA CONT PWR 2 (2/4 if OV105)
 ESS 2CA – op

A15:H cb PALLET MNA,MNB TK6 O2 SNSR 1,2 (two) – op
 :I TK7 O2 SNSR 1,2 (two) – op
 :J TK8 O2 SNSR 1,2 (two) – op
 :K TK9 O2 SNSR 1,2 (two) – op

FC MONITORING SYS (FCMS) OPS

NOTE

Recorded data file names will have the format fcDDDDHHMM.fcv and be compressed as fcDDDDHHMM.zip where 'DDDDHHMM' refers to the GMT of the first data point. Recorded data files will contain single cell voltages from all three fuel cells.

WinDecom-FCMS can be run on either the WinDecom PGSC or another PGSC with a PCMMU expansion unit. The FCMS application can be run on a PGSC running WinDecom-FCMS or a PGSC connected (via network or serial) to a PGSC running WinDecom-FCMS.

The FCMS cable pin out is different from a standard PCMMU data cable and panel O5 PCMMU 2 outlet is the only outlet specially modified to accommodate the cable

ACTIVATION

1. On PGSC with PCMMU Expansion Unit to be used for FCMS operations, terminate all applications using Telemetry Server, and verify Telemetry Server not active (no green "GO", yellow "TFL", or red "STOP" sign in lower right corner of PGSC display)

If using WinDecom PGSC:

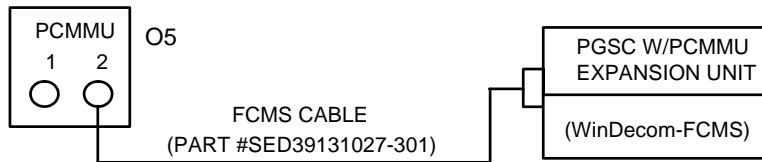
2. Double-click 'Shuttle Apps' > 'WinDecom' > 'WinDecom shutdown'
3. Sel 'OK' to shutdown Telemetry System
4. Disconnect PCMMU cable from PCMMU expansion card port on WinDecom PGSC

Data Cable Setup

- O5
5. If PCMMU 2 outlet in use, disconnect cable from PCMMU 2 outlet

Cont next page

6. Connect FCMS cable (part #SED39131027-301) from PCMMU 2 outlet to PCMMU expansion card port on PGSC that will run WinDecom-FCMS
- ML86B:E 7. cb MNA FC PCM – cl



Starting WinDecom-FCMS

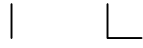
8. Double-click 'Shuttle Apps'>'Fuel Cell Monitoring'>'WinDecom-FCMS'
9. After 30-45 sec, expect TLM Monitor, TLM Pkt-net, and TLM Pkt-com windows to appear (possibly minimized). Data should be incrementing in TLM Pkt-net window

FCMS Application

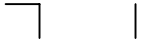
10. Double-click 'Shuttle Apps'>'Fuel Cell Monitoring'>'Fuel Cell Monitoring System'
11. Verify data being received (data updating and GMT incrementing on FCMS display, green "GO" sign in lower right corner of PGSC display)
12. Press record button, select full rate recording option, then select OK
13. When recording complete (~12 min), select YES in the popup window to copy zip data file (fcDDDHHMM.zip) from C:\SPOCAPPS\FCMS directory to ProShare PGSC *:\OCA_DOWN directory. Notify MCC

DEACTIVATION

- ML86B:E
1. cb MNA FC PCM – op
 2. Close FCMS application
 3. Double-click 'Shuttle Apps'>'Fuel Cell Monitoring'>'WinDecom Shutdown'
 4. Disconnect and stow FCMS cable
 5. Reconfigure WinDecom PGSC as reqd per WINDECOM OPS (PGSC), 12-35



This Page Intentionally Blank



GNC

IMU ALIGN – S TRK, GNC 201,202,301	7-2
ALIGNMENT – IMU/IMU	7-4
S TRK SELF-TEST, GNC 201,202,301	7-5
IMU STAR OF OPPORTUNITY ALIGN	7-6
COAS CALIBRATION, GNC 201	7-7
HUD CALIBRATION, GNC 201	7-9
BORESIGHT DESIGNATION	7-12
FCS CHECKOUT	7-13
AFT CONTROLLER C/O	7-32
OMICRON SPECIFICATION	7-33
ELEVON PARK, GNC 201	7-34
GPS PWRUP	7-35
PWRDN	7-35
SELF-TEST, GNC 201,202,301,801	7-36
INCORPORATION	7-37
ELEVON POSITIONING FOR INSPECTION	7-38

GNC

IMU ALIGN – S TRK, GNC 201,202,301

1. COLLECT STAR DATA

√In attitude

GNC 22 S TRK/COAS CNTL

S TABLE CLR – ITEM 20 EXEC

√STAR TRK – ITEM 3,4 (*)

√S TRK -Y,-Z: STATUS – (no BITE)
SHUTTER – OP

- * If SHUTTER – CL: *
- * √Attitude,MET correct *
- * Visually verify no bright object in FOV *
- * After data collected and before changing *
- * attitude, return shutter to AUTO *
- * To open shutter: *
- * MAN OP – ITEM 15(16) EXEC (*) *
- * To return shutter to AUTO: *
- * MAN OP – ITEM 15(16) EXEC (no *) *

2. VERIFY STAR DATA

√S TABLE: TRK ID 1,2 correct #s

ANG ERR 1 ≤ 0.08

SEL, ITEM 17,18 – (*)

Wait ~1 min for new IMU ΔANGs

- * If no data after 3 min or bad data: *
- * Repeat step 1 *
- * √Attitude,start,MET correct *
- * √S TRK -Y,-Z: TRK ID: correct #s *
- * ΔANG: < 1.0 *
- * If still no data or bad data: *
- * Perform S TRK SELF-TEST, then: *
- * If both STATUS – ST FAIL: *
- * | Inform MCC before proceeding *
- * If both STATUS – ST PASS: *
- * | Repeat step 1 at new att, stars *
- * If one STATUS – ST PASS: *
- * Perform single tracker steps *

GNC

Cont next page

- * Single tracker procedure *
- * $\sqrt{\text{TERM/IDLE, ITEM 9(10) - (*)}$ *
- * Good S TRK, STAR TRK – ITEM *
- * 3(4) EXEC (*) *
- * S TABLE CLR – ITEM 20 EXEC *
- * $\sqrt{\text{S TABLE: TRK ID 1 correct \#}}$ *
- * Good S TRK, TERM/IDLE – ITEM *
- * 9(10) EXEC (*) *
- * Mnvr to second attitude, star *
- * Good S TRK, STAR TRK – ITEM *
- * 3(4) EXEC (*) *
- * Repeat step 2 with good S TRK only *

3. CHECK IMU Δ ANGs

CRT

GNC 21 IMU ALIGN

IMU 1,2,3: STAT – blank

$\sqrt{\text{STAR ALIGN, ITEM 13 - (*)}$

$\sqrt{\text{ANG 1,2,3: } \Delta X, \Delta Y, \Delta Z \leq 0.50}$

If no comm, record Δ ANGs

- * If ANG $\Delta X, \Delta Y, \Delta Z > 0.50$ for two or *
- * more IMUs, repeat steps 1,2,3 *

CAUTION

If ANG $\Delta X, \Delta Y, \Delta Z$ still > 0.50 for two or more IMUs, DO NOT TORQUE PLATFORMS EXCEPT UNDER MCC INSTRUCTIONS

4. ALIGN IMUs

ALIGN IMU 1(2,3) – ITEM 10(11,12) EXEC (*)

EXEC – ITEM 16 EXEC (*)

$\sqrt{\text{EXEC, ITEM 16 - (no *)}$

If not deorbit align >>

5. D/O ALIGN VERIFICATION

When D/O align complete, mnvr to VERIF ATT

(FLIGHT PLAN, Detailed Timeline), perform

steps 1,2 using verif stars

$\sqrt{\text{IMU 1,2,3 ANG } \Delta X, \Delta Y, \Delta Z < 0.1}$

- * If ANG $\Delta X, \Delta Y, \Delta Z \geq 0.1$, $\sqrt{\text{MCC}}$ *
- * If no comm, repeat steps 1-5 *

IMU ALIGNMENT – IMU/IMU

NOTE

Procedure must be accomplished
in GNC OPS 2 or 3

GNC 21 IMU ALIGN

IMU/IMU – ITEM 14 +_ EXEC

	1	2	3
ΔX ()	____.	____.	____.
ΔY ()	____.	____.	____.
ΔZ ()	____.	____.	____.

ALIGN IMU 1(2,3) – ITEM 10(11,12) EXEC (*)
EXEC – ITEM 16 EXEC (*),

Rcd MET _____/_____:_____

 _____/_____:_____

 _____/_____:_____

NOTE

Align will require 3-6 min

Report IMU align results

VERIFY GOOD IMU/IMU ALIGNMENT

√EXEC, ITEM 16 – (no *)
IMU/IMU – ITEM 14 +(SAME REF IMU) EXEC
√IMU 1,2,3 ANG $\Delta X, \Delta Y, \Delta Z < 0.13$

* If ANG $\Delta X, \Delta Y, \Delta Z \geq 0.13$, report to MCC *

If in GNC OPS 2 or MM 301,
STAR ALIGN – ITEM 13 EXEC (*)

S TRK SELF-TEST, GNC 201,202,301

Mnvr to avoid bright objects in both BOSs

GNC 22 S TRK/COAS CNTL

CRT √S TRK -Y,-Z: STATUS – (no BITE)
SHUTTER – OP

- * If SHUTTER – CL: *
- * ITEM 15(16) – EXEC (*) *
- * ITEM 15(16) – EXEC (no *) *

SELF-TEST – ITEM 1,2 EXEC (*)

√S TRK -Y,-Z: SHUTTER – CL
S PRES – (*)
STATUS – BITE (mom)
SHUTTER – OP
STATUS – ST PASS

- * If STATUS – ST FAIL, repeat *
- * SELF-TEST *
- * If still FAIL, use only if directed *
- * by MCC *

STAR TRK – ITEM 3,4 EXEC (*)

IMU STAR OF OPPORTUNITY ALIGN

1. VERIFY STAR DATA

- √S TABLE: TRK ID 1,2,3 for correct #s
ANG ERR 1,2,3: ≤ 0.08 for correct #s
SEL, ITEM 17,18,19 – (*) for correct #s

2. CHECK IMU Δ ANGs

GNC 21 IMU ALIGN

- IMU 1,2,3: STAT – blank
- √STAR ALIGN, ITEM 13 – (*)
- √ANG 1,2,3: $\Delta X, \Delta Y, \Delta Z \leq 0.50$

CAUTION

If ANG $\Delta X, \Delta Y, \Delta Z > 0.50$ for any IMU,
DO NOT TORQUE PLATFORMS
EXCEPT UNDER MCC INSTRUCTIONS

3. ALIGN IMUs

- ALIGN IMU 1(2,3) – ITEM 10(11,12) EXEC (*)
- EXEC – ITEM 16 EXEC (*)
- √EXEC, ITEM 16 – (no *)

COAS CALIBRATION, GNC 201

1. COAS CALIBRATION PREP

O1(O19)
COAS

COAS – ON
√Barrel Index – FW(OW)
√DAP: A/AUTO/VERN

If -Z COAS CAL,SENSE: -Z

Change DAP A,B to A1,B5
GNC 22 S TRK/COAS CNTL
COAS: REQD ID – ITEM 21 +_ _ EXEC
POS +X(-Z) – ITEM 26(27) EXEC (*)
CAL MODE – ITEM 24 EXEC (*)

O14:E,
O15:E,
O16:E

√cb DDU L(AFT) (two) – cl

GNC 25 RM ORBIT
SW RM INH – ITEM 16 EXEC (*)
FLT CNTLR PWR – ON
F7/F8
(A6U) SW RM INH – ITEM 16 EXEC (no *)
GNC 22 S TRK/COAS CNTL

2. MARK ON STAR

DAP: A1/INRTL(FREE)/VERN (for COARSE CNTL)

Mnvr to locate star

DAP: B5/INRTL(FREE)/VERN (for FINE CNTL)
B5/FREE/PRI (loss of VERNs)

F6
(A6U)

Mnvr to center star in COAS:
ATT REF pb – push

NOTE

Take minimum three verif marks
to ensure Δ BIAS consistency

DAP: A1/AUTO/VERN

Cont next page

- CRT
3. CALIBRATE COAS
 Rcd CAL +X(-Z) ΔBIAS: ____ . ____ ____
 UPDATE – ITEM 28(29) EXEC, Rcd
 MET ____ / ____ ____ : ____ ____
 √ΔBIAS goes to zero
4. VERIFICATION
 DAP: A1/INRTL(FREE)/VERN (for COARSE CNTL)
- Mnvr to locate star
- DAP: B5/INRTL(FREE)/VERN (for FINE CNTL)
 B5/FREE/PRI (loss of VERNs)
- Mnvr to center star in COAS:
 ATT REF pb – push
- F6
 (A6U)

NOTE

Take minimum three verif marks
 to ensure ΔBIAS consistency

√ΔBIAS < 0.12

- * If majority of ΔBIASs > 0.12, repeat *
- * steps 3 and 4. If ΔBIAS still > 0.12, *
- * √MCC *

5. CLEAN UP
 COAS: DES – ITEM 25 EXEC (*)
 COAS – OFF
 FLT CNTLR PWR – OFF
- O1(O19)
 F7/F8
 (A6U)
- O14,O15,
 O16:E
- cb DDU L(AFT) (two) – as reqd

√Data transcribed into FLIGHT PLAN

- CRT
- If S TRK(S) to be left in auto star-select mode:
 S TRK(S) -Y(-Z) – ITEM 3(4) EXEC (*)
- Reconfig to FLIGHT PLAN DAP

HUD CALIBRATION, GNC 201

1. HUD PREP

Remove L(R) HUD Cover

F3 L(R) HUD PWR – ON
F6U(F8U) MODE – TEST

Wait ~15 sec for final symbology of test mode display (see HUD BORESIGHT DESIGNATION, 7-12)

√Final test mode display symbology

* If final test mode symbology not in *
* agreement with diagram, notify MCC *

L(R) HUD BRT – MAN NIGHT
MAN BRT – as reqd

C3 √DAP: A/AUTO/VERN
Change DAP A,B to A1,B5

CRT

GNC 22 S TRK/COAS CNTL

COAS: REQD ID – ITEM 21 +_ _ EXEC
POS +X – ITEM 26 EXEC (*)
CAL MODE – ITEM 24 EXEC (*)

O14,O15, √cb DDU L(R) (two) – cl
O16:E

F7/F8

GNC 25 RM ORBIT

SW RM INH – ITEM 16 EXEC (*)
FLT CNTLR PWR – ON
SW RM INH – ITEM 16 EXEC (no *)

GNC 22 S TRK/COAS CNTL

2. MARK ON STAR

DAP: A1/INRTL(FREE)/VERN (for COARSE CNTL)

Mnvr to locate star

DAP: B5/INRTL(FREE)/VERN (for FINE CNTL)
B5/FREE/PRI (loss of VERNs)

Cont next page

F6/F8 Mnv to center star in HUD boresight:
(‘P’ in ‘COMPLETE’, see HUD BORESIGHT
DESIGNATION, 7-12)
ATT REF pb – push

Note Δ BIAS value

NOTE

Take minimum three verif marks
to ensure Δ BIAS consistency

If Δ BIAS < 0.12 for at least three marks, go to step 5

DAP: A1/AUTO/VERN

CRT 3. CALIBRATE HUD
Rcd CAL +X Δ BIAS: ____ . ____ ____
UPDATE – ITEM 28 EXEC,
Rcd MET ____ / ____ ____ : ____
 $\sqrt{\Delta}$ BIAS goes to zero

4. VERIFICATION
DAP: A1/INRTL(FREE)/VERN (for COARSE CNTL)

Mnv to locate star

DAP: B5/INRTL(FREE)/VERN (for FINE CNTL)
B5/FREE/PRI (loss of VERNs)

F6/F8 Mnv to center star in HUD boresight:
ATT REF pb – push

NOTE

Take minimum three verif marks
to ensure Δ BIAS consistency

$\sqrt{\Delta}$ BIAS < 0.12

- * If majority of Δ BIAS > 0.12, repeat *
- * steps 3 and 4. If Δ BIAS still > 0.12, *
- * \sqrt{MCC} *

Cont next page

5. CLEAN UP

	COAS: DES	– ITEM 25 EXEC (*)
F6U/F8U	HUD MODE	– NORM
F3	PWR	– OFF
F7/F8	FLT CNTLR PWR	– OFF

O14,O15,
O16:E cb DDU L(R) (two) – as reqd

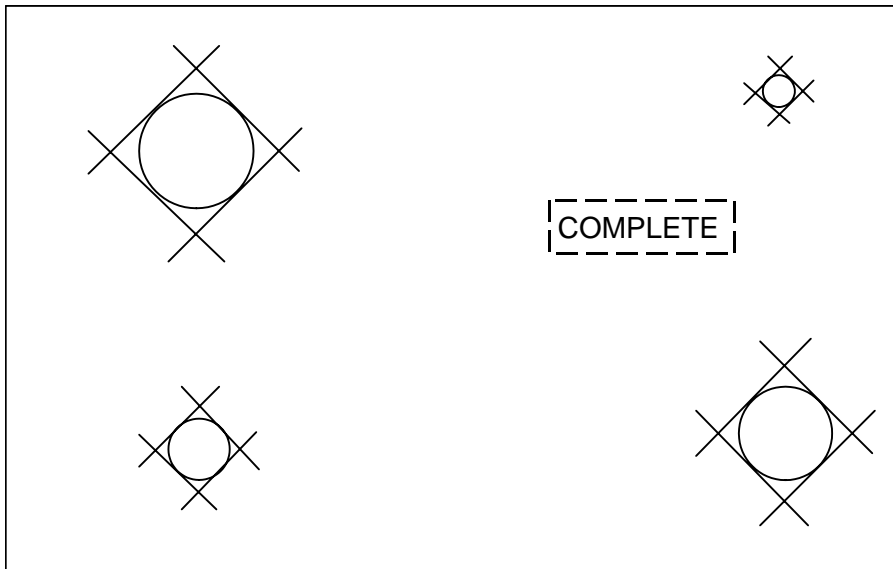
√Data transcribed into FLIGHT PLAN

CRT If S TRK(s) to be left in auto star-select mode:
 S TRK(s) -Y(-Z) – ITEM 3(4) EXEC (*)

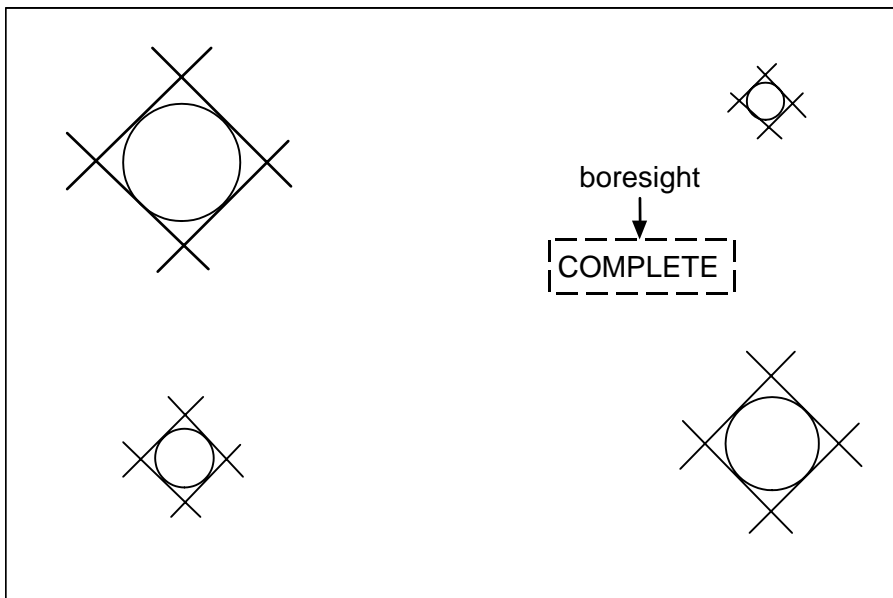
Install L(R) HUD Cover

Reconfig to FLIGHT PLAN DAP

HUD BORESIGHT DESIGNATION



Final symbology of HUD test mode display



HUD boresight designation

FCS CHECKOUT

DISPLAY/DPS CONFIG

O14, RGA (four) – ON
O15, cb MNA,B,C ADTA (four) – cl
O16 MNA,B ACCEL 1,2 (two) – cl
DDU L (two) – cl
MNB,C DDU R (two) – cl

If APU will be used:
| ASA (four) – ON

If circ pump will be used:
√ASA (four) – OFF
ACCEL 3,4 (two) – ON
BRAKES (three) – ON

O15:C √cb MNB GPS 2 PRE AMPL UPPER – cl
O15:D LOWER – cl
A13 √GPS PRE AMPL UC – ON
√LC – ON
√GPS PWR – ON

L2 ANTISKID – ON
O17 ATVC (four) – ON
O7 TACAN MODE (three) – GPC

O8 RADAR ALTM (two) – ON
MLS (three) – ON

F3 TRIM PNL (two) – ON
HUD PWR (two) – ON

C3 √FCS CH (four) – AUTO
√DAP: A1/AUTO/VERN

Perform G2 TO G8 TRANSITION (DPS), then:

If using circ pump for part 1:
FCS CH 2,3 – OFF
ASA (four) – ON
Go to step 7b, 7-18

Cont next page

ON-ORBIT FCS CHECKOUT, PART 1

NOTE

Only one APU used for FCS C/O. Circ pump used if APU does not start or MCC advises abbreviated actuator check. APU or circ pump selection made real time by MCC

If APU shuts down, 'S86 APU GBX T', 'S86 APU TEMP', 'S86 APU GBX P' msgs, APU shifts to HI speed ($\sqrt{\text{CRT}}$), APU OVERSPEED or APU UNDERSPEED, then go to step 6, APU SHUTDOWN, 7-17

NOTE

Any previously failed actuator channel should be bypassed via ITEM 21 on FCS/DED DIS C/O display prior to APU start

Cont next page

7-14

ORB OPS/ALL/GEN K

C2 1. FCS C/O PREP
Set EVENT TIMER to 00:00, count UP

2. APU PRESTART

CRT2

1: GNC, FCS/DED DIS C/O	2: SM 86 APU/HYD
-------------------------	------------------

√APU, HYD, WB status no '↑' or '↓' (except HYD B/U)

R4 If SYS 1:
√LG EXTEND ISOL VLV tb – CL

R4 √HYD BRAKE ISOL VLV X tb – CL
R2 HYD CIRC PUMP (three) – OFF

- BLR N2 SPLY X – ON
- √PWR (three) – ON
- √CNTLR/HTR (three) – B
- √APU AUTO SHUTDN (three) – ENA
- CNTLR PWR X – ON
- HYD MN PUMP PRESS X – LO
- √APU SPEED SEL (three) – NORM
- √OPER (three) – OFF
- √FUEL TK VLV (three) – CL
- √cb APU FU TK VLV ENA (six) – cl

Notify MCC: READY FOR APU START

Wait for MCC GO

Cont next page

3. APU START

R2 APU FUEL TK VLV X – OP
 √APU/HYD RDY X tb – gray

* If tb – bp, √MCC *

00:00 Start EVENT TIMER
 R2 APU OPER X – START/RUN
 [HYD/APU] √HYD PRESS ind X – LOW green
 R2 √APU/HYD RDY X tb – bp

* If APU did not start, go to step 6 *

[HYD/APU] HYD MN PUMP PRESS X – NORM
 [HYD/APU] √HYD PRESS ind X – HI green

[SM 87 HYD THERMAL]

√SW VLV ELEV (four) per table
 √RUD/SPDBK per table

If HYD SYS 1	If HYD SYS 2	If HYD SYS 3
1(*)	2(*)	3(*)
1(*)	2(*)	3(*)

4. AEROSURFACE DRIVE

CRT1 SURF DR START – ITEM 10 EXEC (*)
 Verify all surfaces cycling for 30 sec

NOTE

POS '↓' may be indicated
 until HYD SYS is warm

- * If FCS CH failure ('↓' port status), *
- * reset affected FCS CH: *
- * FCS CH – ORIDE,AUTO *

After 30 sec of aerosurface drive,
 SURF DR STOP – ITEM 11 EXEC (*)
 √Surfaces not moving

Cont next page

5. SECONDARY ACTUATOR CHECK (APU)

NOTE

If a port does not bypass during check, bypass affected port after APU shutdn:

SEC ACT BYPASS – ITEM 21 +X X EXEC

If affected port still does not bypass:

SEC ACT RESET – ITEM 22 +X X EXEC

- CRT1 a. √POS STIM ENA, ITEM 20 – (*)
- C3 b. √FCS CH 1,2,3,4 – AUTO
- CRT1 c. SEC ACT CK, CH 1 – ITEM 15 EXEC (*)
- d. √All CH 1 ports bypass ('↓')
STOP – ITEM 19 EXEC (*)
- C3 e. FCS CH 1 – ORIDE
- CRT1 √All CH 1 ports reset (no '↓')
- C3 FCS CH 1 – AUTO
- f. Repeat steps c thru e for CH 2,3,4
- CRT1 g. NEG STIM – ITEM 20 EXEC (no *)
- h. Repeat steps b thru f

6. APU SHUTDOWN

On MCC GO for APU SHUTDN:

- R2 BLR PWR (three) – OFF
- APU OPER X – OFF
- FUEL TK VLV X – CL
- √Shutdn (hyd press)
- CNTRLR PWR X – OFF
- BLR N2 SPLY X – OFF
- HYD CIRC PUMP (three) – GPC

Proceed to part 2, 7-20

Cont next page

7. CIRC PUMP ACTIVATION

1: GNC, FCS/DED DIS C/O 2: SM 86 APU/HYD

NOTE

OPS 2/8 trans must be performed with
ASAs off to avoid AERO DRIVE fault
msgs during actuator checks

- O14,O15,
O16:F
- a. Perform G8 TO G2 TRANSITION (DPS), then:
ASA (four) – OFF
- C3 Perform G2 TO G8 TRANSITION (DPS), then:
√FCS CH 1,4 – AUTO
2,3 – OFF
ASA (four) – ON
- R4 √HYD BRAKE ISOL VLV X tb – CL
- R2 √HYD CIRC PUMP (three) – OFF
- b. HYD CIRC PUMP X – ON

8. ABBREVIATED SECONDARY ACTUATOR CHECK
(CIRC PUMP)

NOTE

If an elevon does not move to
commanded posn, bypass affected
port after check of all channels:
SEC ACT BYPASS – ITEM
21 +X X EXEC

- CRT1 a. √POS STIM ENA, ITEM 20 – (*)
- C3 b. √FCS CH 1,4 – AUTO
√2,3 – OFF
- CRT2 c. GNC 42 SWITCH/SURF
√All elevons move to $U7.5^\circ \pm 0.8^\circ$
- CRT1 d. SEC ACT CK, CH1 – ITEM 15 EXEC (*)
Wait 5 sec

Cont next page

- C3
CRT2
- e. Turn off FCS CH not being checked:
FCS CH (three) – OFF
√All elevons move to $U1.5^\circ \pm 0.8^\circ$
- * If any elevon drives past 0° , turn on all *
 - * FCS CHs to stop movement *
 - * FCS CH (four) – AUTO *
 - * Expect AERO DRIVE msg. Continue *
 - * procedure and report to MCC *

- CRT1
- f. STOP – ITEM 19 EXEC (*)
√All elevons move to $U7.5^\circ \pm 0.8^\circ$

- C3
- g. Config FCS CHs for check of next CH:
(Config switches in sequence shown)

NEXT CH	FCS CH SWITCHES			
	4	1	2	3
2	AUTO	OFF	AUTO	OFF
3	AUTO	OFF	OFF	AUTO
4	AUTO	OFF	OFF	AUTO

- h. Repeat steps d thru g for CHs 2,3,4

- R2
9. HYDRAULIC SYSTEM RECONFIG
HYD CIRC PUMP (three) – GPC

- C3
10. FCS CH RECONFIG
- a. Perform G8 TO G2 TRANSITION (DPS), then:
FCS CH 1,2,3– AUTO
√4 – AUTO
- b. Perform G2 TO G8 TRANSITION (DPS), then:
Continue with part 2, 7-20

Cont next page

ON-ORBIT FCS CHECKOUT, PART 2

1. Sensor Test – MLS,TAC,RA,AA

NOTE

During MLS/TAC/RA/AA test, deselect LRU for failure indicated:

MLS,TAC,RA,AA – ‘↑’ or ‘↓’

or AA – BIAS/NULL limits exceeded

Record values of failures defined

2: GNC 40 SENSOR TEST

CRT2 √DES: (no *)
√STAT: blank
√RNG,AZ,EL: no M

CONFIG FOR FREE DRIFT

F6 ADI RATE – LO
DAP: A1/INRTL/VERN
√R,P,Y rates $0 \pm 0.1^\circ/\text{sec}$, then:
DAP: FREE

AA Bias/Null Shift Test

CRT2 √Y,Z within limits: Y -0.5 to +0.5
Z -1.3 to +1.3

MLS,TAC,RA,AA Test

START – ITEM 13 EXEC (*)

NOTE

‘*’ blanks when test complete (√no ‘↑’ or ‘↓’). See LIMIT VALUES TABLE, 7-21

Cont next page

LIMIT VALUES TABLE

	RNG	AZ	EL
MLS	15.0 to 15.4	+,-2.9 to +,-3.1 (+ for 3 sec, then -)	5.9 to 6.1
TAC	0 to 0.5	177.5 to 182.5 <u>NOTE</u> Values from 182.1 to 182.5 will be displayed as 2.1 to 2.5	
RA	ALT		
	900 to 1100		
AA		Y	Z
		+14.40 to 17.80	+57.70 to 71.10

O7 STOP – ITEM 14 EXEC (*)
TACAN MODE (three) – OFF

2. Sensor Test – RGA,ADTA

NOTE

During RGA,ADTA test, deselect LRU for failure indicated:

RGA – bias null limits exceeded,

‘↑’ or ‘↓’, or SMRD

ADTA – any ‘↑’ or ‘↓’, except temp (‘T’)

If RGA does not respond to HIGH or LOW TEST or displays ‘SMRD’ indication in STAT column:

√MCC, confirm that payload config can support PRCS firings

Null vehicle rates

Mnvr at 0.5°/sec about appropriate axis; monitor

RGA data

If RGA responds, self-test circuitry or SMRD

| circuitry failed

If no RGA response, deselect sensor

Cont next page

CRT2

2: GNC 41 RGA/ADTA/RCS

- √DES: (no *)
- √STAT: blank
- √PS,PαC,PαU,PαL,T – no M

Config For Free Drift

- √DAP: A1/INRTL/VERN
- √R,P,Y rates $0 \pm 0.1^\circ/\text{sec}$, then:
DAP: FREE

RGA Bias/Null Shift Test

- √R,P,Y within limits: R -0.4 to +0.4
P/Y -0.2 to +0.2
- Refer to LIMIT VALUES TABLE, 7-23

High Test

TEST HI – ITEM 9 EXEC (*)
(after 10 sec, no *)

- √No '↑' or '↓'
- If ADTA BITE, √MCC (if LOS, proceed with test)

TEST STOP – ITEM 11 EXEC (*)

Low Test

TEST LOW – ITEM 10 EXEC (*) (after 10 sec, no *)

- √No '↑' or '↓'
- If ADTA BITE, √MCC (if LOS, proceed with test)

TEST STOP – ITEM 11 EXEC (*)

DAP: A1/AUTO/VERN

Cont next page

7-22

ORB OPS/ALL/GEN K

LIMIT VALUES TABLE

<u>HIGH TEST LIMITS</u>				
<u>RGA</u> R +18.8 to +21.2	P +9.4 to +10.6	Y +9.4 to +10.6		
<u>ADTA</u> PS .813 to .815	PαC 5.473 to 5.477	PαU 2.740 to 2.744	PαL 1.708 to 1.712	T 173.56 to 173.60
<u>LOW TEST LIMITS</u>				
<u>RGA</u> R -18.8 to -21.2	P -9.4 to -10.6	Y -9.4 to -10.6		
<u>ADTA</u> PS 24.887 to 24.889	PαC 29.527 to 29.531	PαU 21.708 to 21.712	PαL 14.713 to 14.717	T 18.50 to 18.54

3. SENSOR TEST – GPS

√MCC if GPS S/TEST desired

A13

GPS PRE AMP UC – OFF
LC – OFF

NOTE

After GPS S/TEST, √MCC if deselect
LRU for failure indicated by '↓' reqd.
GPS self-test takes ~2 min to complete.
'BIT' in STAT field on SPEC 55 indicates
hardware feedback and clears when test
complete

Cont next page

7-23

ORB OPS/ALL/GEN K

2: GNC 55 GPS STATUS

√NAV – ITEM 18 (*)

If 'RPF' in STAT field, √MCC (if LOS, proceed with test)

S/TEST – ITEM (12) EXEC (*)

√'BIT' in STAT field after ~6 sec,

Wait for 'BIT' to clear after ~2 min

√S/TEST '↑'; if '↓' √MCC (if LOS, deselect GPS)

A13

GPS PRE AMPL UC – ON

LC – ON

2: GNC 55 GPS STATUS

NAV – ITEM 18 EXEC (*)

√MODE – INS

4. FCS MODE/CH SWITCH TEST

NOTE

During tests, FCS CH:

Fail op or fail cl – deselect failed contacts

FCS CH OVERRIDE function of a CH with failed contacts may be made operable if at least one good contact available

Proceed: √MCC when possible

FCS MODE:

Fail op – 2 op or 1 op/1 cl contacts preclude use of sw

Fail cl – 1st failure, deselect failed contact
– 2nd failure L(R), deselect all L(R) contacts

Cont next page

7-24

ORB OPS/ALL/GEN K

LIMIT VALUES TABLE

<u>HIGH TEST LIMITS</u>				
<u>RGA</u> R +18.8 to +21.2	P +9.4 to +10.6	Y +9.4 to +10.6		
<u>ADTA</u> PS .813 to .815	PαC 5.473 to 5.477	PαU 2.740 to 2.744	PαL 1.708 to 1.712	T 173.56 to 173.60
<u>LOW TEST LIMITS</u>				
<u>RGA</u> R -18.8 to -21.2	P -9.4 to -10.6	Y -9.4 to -10.6		
<u>ADTA</u> PS 24.887 to 24.889	PαC 29.527 to 29.531	PαU 21.708 to 21.712	PαL 14.713 to 14.717	T 18.50 to 18.54

3a. INITIALIZE GPS RECEIVER

GNC 55 GPS STATUS

- √NAV – ITEM 18 (*)
- INIT – ITEM 15 EXEC (*)
- √MODE – INIT
- NAV – ITEM 18 EXEC (*)
- √MODE – INS
- √MCC if GPS S/TEST desired

- A13 4b. SENSOR TEST – GPS
GPS PRE AMP UC – OFF
LC – OFF

NOTE

After GPS S/TEST, √MCC if deselect LRU for failure indicated by '↓' reqd. GPS self-test takes ~2 min to complete. 'BIT' in STAT field on SPEC 55 indicates hardware feedback and clears when test complete

Cont next page

2: GNC 55 GPS STATUS

√NAV – ITEM 18 (*)

If 'RPF' in STAT field, √MCC (if LOS, proceed with test)

S/TEST – ITEM (12) EXEC (*)

√'BIT' in STAT field after ~6 sec,

Wait for 'BIT' to clear after ~2 min

√S/TEST '↑'; if '↓' √MCC (if LOS, deselect GPS)

A13

GPS PRE AMPL UC – ON

LC – ON

2: GNC 55 GPS STATUS

NAV – ITEM 18 EXEC (*)

√MODE – INS

4. FCS MODE/CH SWITCH TEST

NOTE

During tests, FCS CH:

Fail op or fail cl – deselect failed contacts

FCS CH OVERRIDE function of a CH with failed contacts may be made operable if at least one good contact available

Proceed: √MCC when possible

FCS MODE:

Fail op – 2 op or 1 op/1 cl contacts preclude use of sw

Fail cl – 1st failure, deselect failed contact
– 2nd failure L(R), deselect all L(R) contacts

Cont next page

TEMP 7-24

114

ORB OPS/ALL/GEN K

L2 ENTRY MODE – LO GAIN
– NO Y JET
– AUTO (no *)

6. NWS CHECK

2: GNC 45 NWS CHECK

NOTE

During following tests, verify position
xdcr values A,B,C remain ~0.00°

√Position A,B,C: $0.00^\circ \pm 0.75^\circ$

a. NWS1
L2 NWS – 1

CRT2 √NWS1 SYS SEL (*)
√HYD PRESS HIGH (no *)
√CURRENT: 1.00 to 3.15 ma

ENABLE – ITEM 1 EXEC (*)
F3 √NWS1 ENABLE A,B (*)
√NWS FAIL It – on (illuminated)

CRT2 RIGHT TURN – ITEM 2 EXEC (*)
√NWS1 CURRENT: 3.75 to 6.25 ma

LEFT TURN – ITEM 3 EXEC (*)
√NWS1 CURRENT: -4.25 to -1.75 ma
STOP – ITEM 4 EXEC (*)
√NWS1 CURRENT: 1.00 to 3.15 ma

b. NWS2
L2 NWS – 2

CRT2 √NWS2 SYS SEL (*)
√HYD PRESS HIGH (no *)
√CURRENT: 1.00 to 3.15 ma

ENABLE – ITEM 1 EXEC (*)
F3 √NWS2 ENABLE A,B (*)
√NWS FAIL It – on (illuminated)

Cont next page

CRT2 RIGHT TURN – ITEM 2 EXEC (*)
 √NWS2 CURRENT: 3.75 to 6.25 ma
 LEFT TURN – ITEM 3 EXEC (*)
 √NWS2 CURRENT: -4.25 to -1.75 ma
 STOP – ITEM 4 EXEC (*)
 √NWS2 CURRENT: 1.00 to 3.15 ma

L2 NWS – OFF

7. CONTROLLER AND SWITCH TEST

NOTE

During cntlr/sw test,

THC: One TX(TY,TZ) failed CLOSED –
 reselect all contacts (failed
 contact last)

One TX(TY,TZ) failed OPEN –
 reselect good contacts only

Multi +TX,-TX,+TY,-TY,+TZ,-TZ
failures – reselect good
contacts only

SPDBK L(R): Deselect failed xdcrs
 After 2nd L(R) failure,
 use other side

RUD PED L(R): One failure – deselect
 failed xdcr
 Multi L(R) failures –
 deselect all L(R) xdcrs

RHC L(R): One xdcr failure – reselect
 good xdcrs only
 Multi L(R) failures – reselect
 good xdcrs L(R) and F7(F8)
 FLT CNTLR PWR – OFF

BDY FLP L(R): Fail close, deselect all
 L(R) contacts

Cont next page

RHC or PNL TRIM L(R): If contact failed, deselect failed contact row

2: GNC 43 CONTROLLERS

F5
CRT2

a. THC

L THC – deflect in each axis

√THC: '+' and '-'

Reselect THC contacts:

THC L – ITEM 1,2,3 EXEC (no *)

b. L SBTC

L SBTC – full aft; $\sqrt{> 95\%}$

– full fwd; $\sqrt{< 15\%}$

c. Rudder/Brake

RUD PED – full L; $\sqrt{> 87\%}$ and $ch \Delta < 9\%$

– full R; $\sqrt{> 80\%}$ and $ch \Delta < 9\%$

– null; between L 14% and R 4%

BK PED – depress to verify unrestricted movement (~20 to 25°)

L2
CRT2

d. L Body Flap Switch

BDY FLP – UP, DN

√BDY FLP UP, DN – '*'

e. L RHC

Deselect L RHC:

RHC L DES – ITEM 23,24,25 EXEC (*)

L RHC – deflect to hardstop in each axis

√RHC L: R, P – > 92%

Y – > 88%

Reselect RHC CHs:

RHC L DES – ITEM 23,24,25 EXEC (no *)

f. L RHC Trim Switch

L RHC Trim – deflect sw in each axis

√RHC TRIM L: R – R/L

P – U/D

Cont next page

- L2 g. L Panel Trim Switches
 ROLL TRIM – R,L
 PITCH TRIM – UP, DN
 YAW TRIM – R,L
- CRT2 √PNL TRIM L: R,Y – R/L
 P – U/D
- F3 TRIM RHC/PNL – ENA
 (Wait 5 sec; no crew insight)
 TRIM RHC/PNL – INH
- h. Repeat steps b and d thru g for R cntlrs/sws:
 RHC R DES – ITEM 26,27,28
- i. DDUs
- O14:E cb MNA DDU L – op
 O16:E MNC DDU R – op
 (Wait 5 sec)
- O14:E cb MNA DDU L – cl
 O16:E MNC DDU R – cl
 O15:E MNB DDU L,R (two) – op
 (Wait 5 sec)
 cb MNB DDU L,R (two) – cl
8. MEDS CHECKOUT
- MDU Checkout
- F6/F7 Power ON all forward MDUs (9) and IDPs (3)
 F8/C2 Verify appropriate display appears (expect big 'X' for
 any DPS Display whose IDP is deassigned)
- Flight Critical/IDP Interface Checkout
- F6/F8 On CDR 1, CDR 2, and PLT 1 MDUs:
 Ensure on primary ports
 Sel FLT INST: ORBIT: ADI displays
 Verify no OFF flags in following configs:
 On CDR 1 and CDR 2, √FC BUS 4,1,2,3
 On PLT 1, √FC BUS 1,2,3,4
- F6/F7 Reconfig MDUs as desired (use only one IDP
 F8/C2 with three MDUs max if in GROUP B(C) PWRDN)

Cont next page

9. HUD CHECK

√HUD BRT (two) – as reqd
MODE (two) – TEST

√Brightness

√Format 'COMPLETE' msg
HUD MODE (two) – NORM

CRT1 DED DIS FWD – ITEM 1 EXEC (*)
LOW – ITEM 4 EXEC (*)

√HUD using HUD low value test diagram

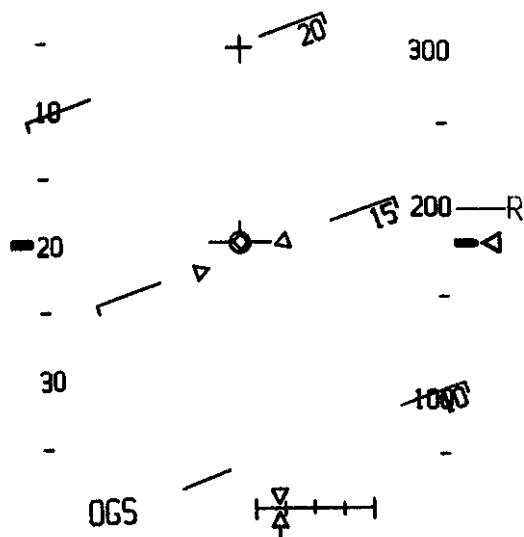
F6/F8 √Readouts for L(R) DATA BUS 1,2(3,4)

CRT1 DED DIS OFF – ITEM 6 EXEC (*)

HUD LOW VALUE TEST

NOTE

No HUD high value test exists



Cont next page

10. MODE LAMP TEST

Test Start

- CRT1 MODE LT ON – ITEM 7 EXEC (*)
- F2/F4 √PITCH AUTO,CSS lt (two) – on
 √ROLL/YAW AUTO,CSS lt (two) – on
 √SPDBK/THROT AUTO,MAN lt (two) – on
 √BDY FLP AUTO,MAN lt (two) – on

Test Terminate

- CRT1 MODE LT OFF – ITEM 8 EXEC (*)
- F6/F8 FLT CNTLR PWR (two) – OFF

Display/DPS Reconfig

Perform G8 TO G2 TRANSITION (DPS), then:

- F3 TRIM PNL (two) – OFF
 HUD PWR (two) – OFF
- C3 FCS CH (four) – AUTO
- O8 MLS (three) – OFF
 RADAR ALTM (two) – OFF
- O14,
O15,
O16 RGA (four) – OFF
 cb MNA,B,C ADTA (four) – op
 MNA,B ACCEL 1,2 (two) – op
 DDU L (two) – as reqd
 MNB,C DDU R (two) – op
 ASA (four) – OFF
 ACCEL 3,4 (two) – OFF
- L2 BRAKES (three) – OFF
 ANTISKID – OFF
- O17 ATVC (four) – OFF

AFT CONTROLLER C/O

1. POWER UP

GNC 25 RM ORBIT

Deselect A THC:

THC A DES – ITEM 4,5,6 EXEC (*)

O14:E √cb MNA DDU AFT – cl
 O16:E √MNC DDU AFT – cl
 A6U FLT CNTLR PWR – ON

2. AFT DDU

O16:E cb MNC DDU AFT – op
 (Wait 5 sec)
 cb MNC DDU AFT – cl

O14:E cb MNA DDU AFT – op
 (Wait 5 sec)
 cb MNA DDU AFT – cl

3. AFT THC

A THC – deflect in each axis

√THC: '+' and '-'

AFT CONTROLLER C/O						
THC	PUSH	PULL	LEFT	RIGHT	UP	DOWN
DISP	+X	-X	+Z	-Z	-Y	+Y

- * During THC test, *
- * One TX(TY,TZ) failed CLOSED – *
- * reselect all contacts (failed contact last) *
- * One TX(TY,TZ) failed OPEN – reselect *
- * good contacts only *
- * Multi +TX,-TX,+TY,-TY,+TZ,-TZ *
- * failures – reselect good contacts only *

Reselect A THC contacts:

THC A DES – ITEM 4,5,6 EXEC (no *)

Cont next page

4. AFT RHC
 Deselect A RHC:
 CRT RHC A DES – ITEM 13,14,15 EXEC (*)
 A RHC – deflect to hardstop in each axis
 √RHC A: R,P > 92%
 Y > 88%
- * During RHC test, *
 - * One xdcr failure – reselect good xdcrs *
 - * only *
 - * Multi RHC failures – reselect good xdcr, *
 - A6U * FLT CNTLR PWR – OFF *

Reselect RHC CHs:
 CRT RHC A DES – ITEM 13,14,15 EXEC (no *)

5. RECONFIG TO NOMINAL
 A6U FLT CNTLR PWR – OFF
 O14:E, AFT DDU PWR – as reqd
 O16:E

6. AFT DAP SPARE pbi
 A6U SPARE pbi – push (hold 5 sec)

OMICRON SPECIFICATION

1. DETERMINE REFERENCE ATTITUDE
 Designated body axis pointed toward target (P)
 Y body axis in same plane as negative angular momentum vector (-h) and P
2. DETERMINE DESIRED ATTITUDE
 Rotate cw around P (right-hand rule) to desired attitude

Omicron = angle of rotation around P from reference attitude to desired attitude

NOTE

If P = ±Y body axis, use -Z body axis for reference attitude

ELEVON PARK, GNC 201

1. Perform G2 TO G8 TRANSITION (DPS)
- O16:F 2. ASA 4 – ON
3. Perform G8 TO G2 TRANSITION (DPS)
- R2 4. HYD CIRC PUMP 1 – ON

NOTE

Elevons will be positioned within 3 min

On MCC GO,
HYD CIRC PUMP 1 – GPC

GPS SELF-TEST, GNC 201,202,301,801

1. CHECK GPS ANTENNA PRE-AMP CONFIG
(if reqd)

O15:C √GPS 2 PRE AMPL UPPER – cl
O15:D LOWER – cl

A13 √PRE AMPL UC – ON
 LC – ON
 √ENCRYPT – NORMAL

2. PWR UP GPS RECEIVER (if reqd)

* If GPS just PWRD off, wait *
* at least 30 sec *

GPS PWR – ON
Wait at least 30 sec
GNC I/O RESET

3. INITIALIZE GPS RECEIVER (if reqd)

GNC 55 GPS STATUS

√NAV – ITEM 18 (*)
INIT – ITEM 15 EXEC (*)
√MODE – INIT
Wait 5 sec
NAV – ITEM 18 EXEC (*)
√MODE – INS

4. GPS SELF-TEST

2: GNC 55 GPS STATUS

√NAV – ITEM 18 (*)
If “RPF” in STAT field, √MCC (if LOS, proceed with test)
S/TEST – ITEM 12 EXEC
√“BIT” in STAT field after ~6 sec
Wait for “BIT” to clear after ~2 min
√S/TEST ‘↑’; if ‘↓’ deselect GPS
NAV – ITEM 18 EXEC (*)

√MODE – INS

Cont next page

- A13
5. PWR OFF GPS RECEIVER (if reqd)
GPS PWR – OFF
 6. PWR OFF GPS ANTENNA PRE-AMPS (if reqd)
GPS PRE AMPL UC – OFF
LC – OFF
- O15:C GPS 2 PRE AMPL UPPER – op
O15:D LOWER – op

GPS INCORPORATION

- CRT
1. GPS functioning properly:

GNC SPEC 55 GPS STATUS

 - √STAT = BLANK or BATT
 - √MODE = INS
 - √DG FAIL = BLANK
 - √QA1 P1 $\sigma \leq 175$ (can be > 175 for no more than 5 min)
 - √LAST SEL FIL UPDATE < 30 min
 - * If GPS not functioning properly for 5 min, *
 - * perform GPS TROUBLESHOOTING *
 - * (ORB PKT, GNC) *
 2. If QA2 ratio > 1.0 , GPS TO NAV FOR – ITEM 37 EXEC (*)
Expect toggle to FOR then back to previous state (AUT or INH)
 3. GPS TO NAV AUT – ITEM 35 EXEC (*)

NOTE

Due to timing of OPS transition and GPS to Auto, it could take up to 90 min before first Auto GPS incorporation

√GPS MINUS NAV POS ($\Delta H, \Delta DR, \Delta CR$) < 100

4. Repeat step 1 every 90 min while awake to √GPS still functioning properly

ELEVON POSITIONING FOR INSPECTION

1. Config Check
O14,O15, O16 ASA (four) – OFF
C3 √FCS CH (four) – Auto
R2 HYD CIRC PUMP (three) – OFF
2. Initial Elevon Positioning
Perform G2 TO G8 TRANSITION, steps 1-4 (DPS)
C3 FCS CH 1,2,3 – OFF
O14,O15, O16 ASA (four) – ON
R2 HYD CIRC PUMP X – ON
CRT2 GNC 42 SWITCH/SURF
√All CH 4 Elevon Positions move to $U7.5 \pm 0.8$

3. Increment Elevon Command
CRT1 GNC FCS/DED DIS C/O

NOTE

Display will initialize with POS STIM ENA (*)

- IF UP Elevon Desired:
NEG STIM – ITEM 20 EXEC (no *)
- C3 √FCS CH 1,2,3 – OFF
R2 √HYD CIRC PUMP X – ON
SEC ACT CK, CH 4 – ITEM 18 EXEC (*)
CRT2 √All CH 4 Elevon Positions increment additional 6 deg
from previous position
R2 HYD CIRC PUMP X – OFF
CRT1 STOP – ITEM 19 EXEC (*)

4. Freeze Elevon Command at current position
Perform G8 TO G2 TRANSITION, steps 2-3 (DPS),
then:
C3 FCS CH 1,2,3 – AUTO
Perform G2 TO G8 TRANSITION, steps 3-4 (DPS),
then:
√Elevon positions

Cont next page

Repeat steps 3-4 as needed for desired Elevon
Position

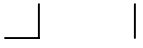
NOTE

Disregard any "AERO DRIVE" msg

5. Clean Up

Perform G8 TO G2 TRANSITION (DPS), then:

C3	√FCS CH 1,2,3 – Auto
O14,O15,	√ASA 4 – ON
O16	ASA 1,2,3 – OFF
R2	HYD CIRC PUMP (three) – GPC



This Page Intentionally Blank



MPS

MPS VACUUM INERT 8-2

MPS

8-1

ORB OPS/ALL/GEN K

MPS

MPS VACUUM INERT

ACTIVATION

- R2 1. MPS PNEU He ISOL – OP
- R4 2. MPS FILL/DRAIN LH2 OUTBD – CL
Wait 15 sec
- 3. MPS FILL/DRAIN LH2 OUTBD – OP

TERMINATION

NOTE

After 1 min or on MCC Call

- 1. MPS FILL/DRAIN LH2 OUTBD – CL
Wait 15 sec
- 2. MPS FILL/DRAIN LH2 OUTBD – GND
- R2 3. MPS PNEU He ISOL – GPC

OM

ON-ORBIT OMS BURN 9-2

O

9-1

ORB OPS/ALL/GEN K

ON-ORBIT OMS BURN

OMS

1. OMS BURN PREP

C2 Wedge Install OMS-2/ORBIT OMS BURNS
Cue Cards (two) and ORBIT BURN
MONITOR Cue Cards (two) (F6,F8)

GNC 55 GPS STATUS

√GPS TO NAV – INH (*)

CRT

If OPS 2:

1: GNC 20 DAP CONFIG

√DAP Config A1,B1

1: GNC UNIV PTG

CNCL – ITEM 21 EXEC

GNC, OPS 202 PRO

1: GNC ORBIT MNVR EXEC

2: GNC SYS SUMM 2

If OPS 3:

GNC, OPS 302 PRO

1: GNC DEORB MNVR EXEC

3: BFS, GNC SYS SUMM 2

F7

√OMS PRESS He TK L(R) > 640 psia

√N2 TK L(R) > 564 psia

WARNING

If OMS PRESS not within limits,
do not execute on-orbit burn

O14:F,
O15:F,
O16:F

√Pri RJD LOGIC,DRIVER (sixteen) – ON

O14:E,
O15:E,
O16:E

√cb DDU (six) – cl

Cont next page

2. LOAD TGT DATA
 Load TGT DATA per Burn Pad
 LOAD – ITEM 22 EXEC
 TIMER – ITEM 23 EXEC
 √BURN DATA per Burn Pad
 C3 DAP: If OPS 2, B/AUTO/VERN
 If OPS 3, AUTO
 CRT1 MNVR – ITEM 27 EXEC (*)
3. PERFORM OMS BURN
 If xfeed Burn:
 TIG-4 O8 √L(R) OMS TK ISOL (two) – OP (tb-OP)
 √R(L) OMS TK ISOL (two) – CL (tb-CL)
 √L,R OMS XFEED B (two) – OP (tb-OP)
 If straight feed:
 √L,R OMS TK ISOL (four) – OP (tb-OP)
- F7/F8 FLT CNTLR PWR (two) – ON
- Perform OMS-2/ORBIT OMS BURNS
 (Cue Card), then:
4. OMS POST BURN RECONFIGURATION
 CRT1 Perform OMS TVC GMBL CK, as reqd
- * If down arrow(s) or M(s), *
 * select good GMBL *
- F7/F8 FLT CNTLR PWR (two) – OFF
 O14:E, cb DDU (six) – as reqd
 O15:E,
 O16:E
- O8 L,R OMS He PRESS/VAP ISOL (four) – CL

Cont next page

RCS

RCS HOT FIRE TEST	10-2
GG FREE DRIFT	10-6
PRCS PTC	10-8
VRCS PTC	10-9
ON-ORBIT +X RCS BURN, MM202	10-10
-X RCS BURN, MM202	10-13
MULTI-AXIS RCS BURN, MM202.....	10-15
LOSS OF VERNIERS	10-18
RECOVERY OF VERNIERS	10-19
RCS REGULATOR RECONFIG	10-20

RCS

RCS HOT FIRE TEST

NOTE

If RMS not cradled, verify RMS not in jet impingement zone (√MCC if desired)

1. CONFIGURE FOR JET TEST

DAP: A1/INRTL/VERN

2. PERFORM RCS JET TEST

Wait 3 sec between pulses

Monitor CRT for JET FAIL msgs

Monitor ADI rates to verify jet on or jet fail

RCS

NOTE

If failed RCS JET detected, wait 30 sec before next pulse, deselect any failed RCS JET not auto deselected, complete TEST, then go to MAL, RCS, 10.1a (MAL, RCS)

O14, Pri RJD LOGIC, DRIVER (sixteen) – ON
O15, √cb MNA, B DDU L (two) – cl
O16

DAP TRANS: PULSE/PULSE/PULSE

DAP: A/FREE/PRI

F6 ADI RATE – LO
F7/F8 FLT CNTLR PWR – ON

GNC 23 RCS

CRT RCS FWD – ITEM 1 EXEC (*)

MANF VLVS STAT OVRD

√1 OP – ITEM 40

√2 OP – ITEM 41

3 CL – ITEM 42 EXEC

4 CL – ITEM 43 EXEC

JET DES F2U – ITEM 21 EXEC (*)

Cont next page

10-2

ORB OPS/ALL/GEN K

CRT RCS L – ITEM 2 EXEC (*)
 MANF VLVS STAT OVRD
 √1 OP – ITEM 40
 2 CL – ITEM 41 EXEC
 3 CL – ITEM 42 EXEC
 4 CL – ITEM 43 EXEC
 RCS R – ITEM 3 EXEC (*)
 MANF VLVS STAT OVRD
 √1 OP – ITEM 40
 2 CL – ITEM 41 EXEC
 3 CL – ITEM 42 EXEC
 4 CL – ITEM 43 EXEC

Perform following pulse sequence twice:

F5 THC: +X, 1 PULSE (fires jets R1A,L1A)
 -X, 1 PULSE (fires jets F1F,F2F)
 +Z, 1 PULSE (fires jets F1U,R1U,L1U)
F6 +Y, 1 PULSE (fires jets F1L,L1L)
 -Y, 1 PULSE (fires jets F2R,R1R)

CRT √RCS R, ITEM 3 – (*)
 MANF VLVS STAT OVRD
 1 CL – ITEM 40 EXEC
 2 OP – ITEM 41 EXEC
 √3 CL – ITEM 42
 √4 CL – ITEM 43

RCS L – ITEM 2 EXEC (*)
MANF VLVS STAT OVRD
1 CL – ITEM 40 EXEC
2 OP – ITEM 41 EXEC
√3 CL – ITEM 42
√4 CL – ITEM 43

RCS F – ITEM 1 EXEC (*)
JET DES F1U – ITEM 17 EXEC (*)
 F2U – ITEM 21 EXEC (no *)

Perform following pulse sequence twice:

THC: +Z, 1 PULSE (fires jets F2U,L2U,R2U)
 -Z, 1 PULSE (fires jets F1D,F2D,L2D,R2D)
 +Y, 1 PULSE (fires jets F1L,L2L)
 -Y, 1 PULSE (fires jets F2R,R2R)

Cont next page

CRT

√RCS F, ITEM 1 – (*)
JET DES F1U – ITEM 17 EXEC (no *)
MANF VLVS STAT OVRD
1 CL – ITEM 40 EXEC
2 CL – ITEM 41 EXEC
3 OP – ITEM 42 EXEC
4 OP – ITEM 43 EXEC

RCS L – ITEM 2 EXEC (*)
MANF VLVS STAT OVRD
√1 CL – ITEM 40
2 CL – ITEM 41 EXEC
3 OP – ITEM 42 EXEC
√4 CL – ITEM 43

RCS R – ITEM 3 EXEC (*)
MANF VLVS STAT OVRD
√1 CL – ITEM 40
2 CL – ITEM 41 EXEC
3 OP – ITEM 42 EXEC
√4 CL – ITEM 43

Perform following pulse sequence twice:

THC: +X, 1 PULSE (fires jets L3A,R3A)
-X, 1 PULSE (fires jet F3F)
-Z, 1 PULSE (fires jets F3D,F4D,L3D,R3D)
+Y, 1 PULSE (fires jets F3L,L3L)
-Y, 1 PULSE (fires jets F4R,R3R)

√RCS R, ITEM 3 – (*)
MANF VLVS STAT OVRD
√1 CL – ITEM 40
√2 CL – ITEM 41
3 CL – ITEM 42 EXEC
4 OP – ITEM 43 EXEC

RCS L – ITEM 2 EXEC (*)
MANF VLVS STAT OVRD
√1 CL – ITEM 40
√2 CL – ITEM 41
3 CL – ITEM 42 EXEC
4 OP – ITEM 43 EXEC

Cont next page

Perform following pulse sequence twice:

THC: +Z, 1 PULSE (fires jets F3U,L4U,R4U)
-Z, 1 PULSE (fires jets F3D,F4D,L4D,R4D)
+Y, 1 PULSE (fires jets F3L,L4L)
-Y, 1 PULSE (fires jets F4R,R4R)

F7/F8 DAP: A/INRTL/VERN
FLT CNTLR PWR – OFF

3. RECONFIGURE JET SELECT

CRT √RCS L, ITEM 2 – (*)
MANF VLVS STAT OVRD
1 OP – ITEM 40 EXEC
2 OP – ITEM 41 EXEC
3 OP – ITEM 42 EXEC
√4 OP – ITEM 43

RCS R – ITEM 3 EXEC (*)
MANF VLVS STAT OVRD
1 OP – ITEM 40 EXEC
2 OP – ITEM 41 EXEC
3 OP – ITEM 42 EXEC
√4 OP – ITEM 43

RCS F – ITEM 1 EXEC (*)
MANF VLVS STAT OVRD
1 OP – ITEM 40 EXEC
2 OP – ITEM 41 EXEC
√3 OP – ITEM 42
√4 OP – ITEM 43

R14:C 4. CONFIG FOR VERN MANIFOLD VLV TEST
cb MNC MANF ISOL L5,R5,F5 ENA (three) – op

5. PERFORM TEST

NOTE

If any vernier manifold closes, ignore DAP RECONFIG msg, reopen affected manifold, complete TEST, and notify MCC

O7,O8 L,R,F RCS MANF ISOL 5 (three) – CL (tb-OP)

6. CLEANUP

R14:C cb MNC MANF ISOL L5,R5,F5 ENA (three) – cl
O14,O15, Pri RJD LOGIC,DRIVER (sixteen) – as reqd
O16 √cb MNA,B DDU L (two) – as reqd
Reconfig to FLIGHT PLAN DAP

GG FREE DRIFT

1. AUTO MNVR TO ATTITUDE

Change DAP A,B to A3,B3
DAP: B3/AUTO/VERN(ALT)

GNC UNIV PTG

√TGT ID, ITEM 8 – 2
BODY VECT – ITEM 14 +5 EXEC
Load Body Vector P,Y,OM (per table, 10-7)

TRK – ITEM 19 EXEC (CUR-*)

√ERR TOT, ITEM 23 – (*)

2. ESTABLISH FREE DRIFT

F6,F8

√Att mnvr complete

ADI ATT – LVLH

L1

FLASH EVAP CNTLR PRI A,B (two) – OFF
√SEC – OFF

√HI LOAD DUCT HTR – OFF

If VERN jets available:

DAP: A3/AUTO/VERN

Wait 3 min

DAP: FREE

If VERN jets not available:

DAP: A3/AUTO/ALT

Wait 30 sec

When $-0.01 < \text{Roll Rate} < 0.01$, then:

DAP: FREE

Rcd MET ____/____ ____:____ ____:____

NOTE

If FREON EVAP OUT TEMP > 60, execute
PRIORITY PWRDN GROUP A and
subsequent (ORB PKT, PRIOR PWRDN) to
maintain FREON EVAP OUT TEMP ≤ 55

Cont next page

3. VEHICLE RECOVERY AND FES RESTART

DAP: A3/FREE/VERN(ALT)

If VERN jets available:

O14:F, √All RJD LOGIC,DRIVER (seventeen) – ON
 O15:F,
 O16:F

If VERN jets not available:

√Pri RJD LOGIC,DRIVER (sixteen) – ON

F6,F8

ADI ATT – as reqd

Reconfig to FLIGHT PLAN DAP

DAP: INRTL

If FES reqd:

SM 88 APU/ENVIRON THERM

CRT(O1)

If FREON EVAP OUT TEMP > 41

and ≤ 47 degF:

L1

RAD CNTLR OUT TEMP – HI

CRT(O1)

When FREON EVAP OUT TEMP > 50 degF,

L1

RAD CNTLR OUT TEMP – NORM, then

immediately:

FLASH EVAP CNTLR PRI A(B) – ON

CRT(O1)

If FREON EVAP OUT TEMP ≤ 41 or > 47 degF:

L1

FLASH EVAP CNTLR PRI A(B) – ON

GRAVITY GRADIENT BODY VECTORS

		ATT	EXEC DATA			BODY RATES (±0.002)		
		ID	P	Y	OM	R	P	Y
+	PLBD	A	357.51	0.97	249.18	0.002	0.024	-0.062
	NORTH							
X	SOUTH	B	357.51	359.23	110.91	-0.002	0.024	0.062
L	PLBD	C	177.51	0.77	69.09	0.002	-0.024	-0.062
	NORTH							
V	SOUTH	D	177.51	359.03	290.82	-0.002	-0.024	0.062

PRCS PTC

1. MNVR TO PTC ATTITUDE

NOTE

If crew sleep, use Tail-only control for all DAPs

DAP: A1/AUTO/ALT

CRT

GNC UNIV PTG

TGT ID – ITEM 8 +4 EXEC
BODY VECT – ITEM 14 +5 EXEC
P – ITEM 15 +2 7 0 EXEC
Y – ITEM 16 +0 EXEC
OM – ITEM 17 +2 7 0 EXEC
TRK – ITEM 19 EXEC (CUR-*)

2. INITIATE PTC ROTATION

GNC 20 DAP CONFIG

Change DAP A to A2

GNC UNIV PTG

BODY VECT – ITEM 14 +1 EXEC
ROT – ITEM 20 EXEC (CUR-*)

3. TERMINATE PTC ROTATION

GNC UNIV PTG

CNCL – ITEM 21 EXEC
Reconfig to FLIGHT PLAN DAP

VRCS PTC

1. MNVR TO PTC ATTITUDE

DAP: A1/AUTO/VERN

CRT

GNC UNIV PTG

TGT ID - ITEM 8 +4 EXEC
BODY VECT - ITEM 14 +5 EXEC
P - ITEM 15 +2 7 0 EXEC
Y - ITEM 16 +0 EXEC
OM - ITEM 17 +2 7 0 EXEC
TRK - ITEM 19 EXEC (CUR-*)

2. INITIATE PTC ROTATION

When in attitude:

GNC UNIV PTG

BODY VECT - ITEM 14 +1 EXEC

ROT - ITEM 20 EXEC (CUR-*)

When rates have stabilized (~60 sec):

GNC 20 DAP CONFIG

Change DAP A to A2

3. TERMINATE PTC ROTATION

GNC 20 DAP CONFIG

Change DAP A to A1

When rates have stabilized (~60 sec):

GNC UNIV PTG

CNCL - ITEM 21 EXEC

When rates have damped:

Reconfig to FLIGHT PLAN DAP

ON-ORBIT +X RCS BURN, MM202

O14:F, √Pri RJD LOGIC,DRIVER (sixteen) – ON
O15:F,
O16:F

O14:E, √cb DDU (six) – cl
O15:E,
O16:E

GNC 55 GPS STATUS

√GPS TO NAV – INH (*)

1. AFT RCS/OMS SYSTEM CHECK

If I'CNCT: L(R) OMS to RCS

F7 √OMS PRESS He TK L,R > 1500 psia
O3 √L,R OXID,FUEL > 234 psia
C3 DAP: FREE
O7 AFT L,R RCS
 TK ISOL (six) – CL (tb-CL)
 XFEED (four) – OP (tb-OP)
O8 L(R) OMS
 He PRESS/VAP ISOL A(B) – OP
 L,R OMS
 √He PRESS/VAP ISOL B(A) (two) – CL
 √TK ISOL A,B (four) – OP (tb-OP)
 √XFEED A (two) – CL (tb-CL)
 L(R) OMS XFEED B – OP (tb-OP)
C3 DAP: as reqd

CRT

GNC 23 RCS

OMS PRESS ENA,L(R) OMS –
ITEM 5(6) EXEC

If no I'CNCT:

O3 √RCS PRESS L,R OXID,FUEL > 190 psia
 √He > 456 psia
O7 AFT L,R RCS
 √He PRESS A(B) (two) – GPC (tb-OP)
 √He PRESS B(A) (two) – CL (tb-CL)
 √TK ISOL (six) – OP (tb-OP)
 √XFEED (four) – CL (tb-CL)

Cont next page

		2. <u>LOAD TGT DATA AND MNVR TO BURN</u>
		ATT
C3		DAP: B1/AUTO/VERN(PRI)
		<u>GNC UNIV PTG</u>
		CNCL – ITEM 21 EXEC
		GNC, OPS 202 PRO
		<u>1: GNC ORBIT MNVR EXEC</u>
		<u>2: GNC SYS SUMM</u>
		Enter or verify TGT DATA per
		ORB MNVR PAD
		LOAD – ITEM 22 EXEC
		TIMER – ITEM 23 EXEC
		√BURN DATA per PAD
		MNVR – ITEM 27 EXEC (*)
		3. <u>BURN EXEC</u>
TIG-3:00		
	F6 (F8)	ADI ERR/RATE – MED
		ATT – INRTL
		√ADI ATT, then:
		ATT – REF
		REF pb – push
	F7(F8)	FLT CNTLR PWR – ON
	C3	DAP TRANS: NORM/PULSE/PULSE
TIG-0:30		DAP: B1/INRTL/PRI
TIG	THC	Trim VGOs < 0.2 fps

Cont next page

F7(F8) 4. POST BURN RECONFIG
CRT FLT CNTLR PWR – OFF
C3 GNC, OPS 201 PRO
DAP TRANS: PULSE/PULSE/PULSE
DAP: as reqd

O14:E, cb DDU (six) – as reqd
O15:E,
O16:E

C3 **If I'CNCT RETURN**
DAP: FREE

GNC 23 RCS

CRT OMS PRESS ENA,OFF – ITEM 7 EXEC
O8 L,R OMS XFEED (four) – CL (tb-CL)
He PRESS/VAP ISOL A – CL

O7 AFT L,R RCS
√He PRESS A(B) (two) – GPC (tb-OP)
B(A) (two) – CL (tb-CL)
XFEED (four) – CL (tb-CL)
TK ISOL (six) – OP (tb-OP)

C3 DAP: as reqd

5. RECONFIG FOR GROUP B(C)
If Group B(C) PWRDN:
O14:F, Pri RJD LOGIC,DRIVER (sixteen) – OFF
O15:F, RJDA 1A L2/R2 MANF DRIVER – ON
O16:F

NOTE

Ignore computed attitude,
perform burn in current attitude

- TIG-3:00 3. BURN EXEC
ADI ERR/RATE – MED
ATT – LVLH
√ADI ATT
- | | Posigrade
Heads Up | Retrograde
Heads Up | Burn Att from
MNVR PAD |
|---|-----------------------|------------------------|---------------------------|
| R | +180.0 | +0.0 | _____ |
| P | +186.0 | +350.0 | _____ |
| Y | +0.0 | +0.0 | _____ |
- F7/F8 FLT CNTLR PWR – ON
DAP TRANS: NORM/PULSE/PULSE
- TIG-0:30> DAP: B1/INRTL/PRI
ADI ATT – REF
REF pb – push
- TIG THC: Trim VGOs < 0.2 fps
- F7/F8 4. POST BURN RECONFIG
FLT CNTLR PWR – OFF
GNC, OPS 201 PRO
DAP TRANS: PULSE/PULSE/PULSE
C3 DAP: as reqd
- O14:E,
O15:E,
O16:E cb DDU (six) – as reqd
- O14:F,
O15:F,
O16:F 5. RECONFIG FOR GROUP B(C)
If Group B(C) PWRDN:
Pri RJD LOGIC, DRIVER (sixteen) – OFF
RJDA 1A L2/R2 MANF DRIVER – ON

ON-ORBIT MULTI-AXIS RCS BURN, MM202

O14:F, √Pri RJD LOGIC,DRIVER (sixteen) – ON
O15:F,
O16:F

O14:E, √cb DDU (six) – cl
O15:E,
O16:E

GNC 55 GPS STATUS

√GPS TO NAV – INH (*)

1. AFT RCS/OMS SYSTEM CHECK

If I'CNCT: L(R) OMS to RCS

F7 √OMS PRESS He TK L,R > 1500 psia
O3 √L,R OXID,FUEL > 234 psia
C3 DAP: FREE
O7 AFT L,R RCS
 TK ISOL (six) – CL (tb-CL)
 XFEED (four) – OP (tb-OP)
O8 L(R) OMS
 He PRESS/VAP ISOL A(B) – OP
 L,R OMS
 √He PRESS/VAP ISOL B(A) (two) – CL
 √TK ISOL A,B (four) – OP (tb-OP)
 √XFEED A (two) – CL (tb-CL)
 L(R) OMS XFEED B – OP (tb-OP)
C3 DAP: as reqd

CRT

GNC 23 RCS

OMS PRESS ENA,L(R) OMS –
ITEM 5(6) EXEC

If no I'CNCT:

O3 √RCS PRESS L,R OXID,FUEL > 190 psia
 √He > 456 psia
O7 AFT L,R RCS
 √He PRESS A(B) (two) – GPC (tb-OP)
 √He PRESS B(A) (two) – CL (tb-CL)
 √TK ISOL (six) – OP (tb-OP)
 √XFEED (four) – CL (tb-CL)

Cont next page

4. POST BURN RECONFIG

FLT CNTLR PWR – OFF
GNC, OPS 201 PRO
DAP: VERN
DAP: A/AUTO

O14:E, cb DDU (six) – as reqd
O15:E,
O16:E

C3

If I'CNCT RETURN

DAP: FREE

GNC 23 RCS

CRT

OMS PRESS ENA,OFF – ITEM 7 EXEC

O8

L,R OMS XFEED (four) – CL (tb-CL)

He PRESS/VAP ISOL A – CL

O7

AFT L,R RCS

√He PRESS A(B) (two) – GPC (tb-OP)

√B(A) (two) – CL (tb-CL)

XFEED (four) – CL (tb-CL)

TK ISOL (six) – OP (tb-OP)

C3

DAP: as reqd

5. RECONFIG FOR GROUP B(C)

If Group B(C) PWRDN:

O14:F,

Pri RJD LOGIC,DRIVER (sixteen) – OFF

O15:F,

RJDA 1A L2/R2 MANF DRIVER – ON

O16:F

LOSS OF VERNIERS

NOTE

DAPs called out in this procedure should only be used if flight-specific loss of VERN DAPs not specified in flight-specific checklists (Deploy, RNDZ, PDRS, EVA). Use Tail-only for crew sleep; Nose and Tail for all other times

1. CONFIG DAP

√DAP: FREE

If Tail-only control desired:

| Change DAP A,B to A6,B2

If Nose and Tail control desired:

Change DAP A,B to A5,B3

2. ESTABLISH CONTROL

O14:F,
O15:F,
O16:F

√Pri RJD LOGIC,DRIVER (sixteen) – ON

O16:F

√RJD L5/F5/R5 DRIVER – OFF

DAP: A/FREE/ALT

A/AUTO/ALT

┌ | | | ┌

RECOVERY OF VERNIERS

DAP: FREE

1. CONFIG DAP
Reconfig to FLIGHT PLAN DAP
 2. CONFIG FOR VERNIER(PRIMARY) CONTROL
RJD L5/F5/R5 DRIVER – ON
Wait 5 sec
DAP: A/AUTO/VERN(PRI)
- O16:F

10-21

ORB OPS/ALL/GEN K

OMS BOTH 1

L 2

R 3

RCS SEL 4 +X
 -X
 MULTI-AXIS

TV ROLL 5

TRIM LOAD

P 6 () .

LY 7 () .

RY 8 () .

WT 9

TIG 10 / : : .

TGT PEG 7

ΔV_X 19 () .

ΔV_Y 20 () .

ΔV_Z 21 () .

ORBIT MANEUVER PAD FOR _____

BURN ATT

R 24

P 25

Y 26

ΔV_{TOT} .

TGO :

VGO X () .

VGO Y () .

VGO Z () .

HA

HP ()

TGT

OMS GMBL CK:		NOTES	
	PRE	POST-BURN	
L PRI	<input type="checkbox"/>	<input type="checkbox"/>	RCS I'CNCT: <input type="checkbox"/> L OMS → RCS <input type="checkbox"/> R OMS → RCS <input type="checkbox"/> NONE
L SEC	<input type="checkbox"/>	<input type="checkbox"/>	
R PRI	<input type="checkbox"/>	<input type="checkbox"/>	
R SEC	<input type="checkbox"/>	<input type="checkbox"/>	
NONE	<input type="checkbox"/>	<input type="checkbox"/>	DOWN MODE OPTIONS: <input type="checkbox"/> 2 OMS → 1 OMS <input type="checkbox"/> 1 OMS → RCS <input type="checkbox"/> NONE
OMS HE REG TEST: L,R OMS HE P/VAP ISOL		-X RCS BURNS:	
		BURN ATT	LVLH ATT
GPC	OP	CL	
A	<input type="checkbox"/>	<input type="checkbox"/>	P 15 <input type="checkbox"/> <input type="checkbox"/> <input type="checkbox"/>
B	<input type="checkbox"/>	<input type="checkbox"/>	Y 16 <input type="checkbox"/> <input type="checkbox"/> <input type="checkbox"/>
			OM 17 <input type="checkbox"/> <input type="checkbox"/> <input type="checkbox"/>
			P <input type="checkbox"/> <input type="checkbox"/> <input type="checkbox"/>
			Y <input type="checkbox"/> <input type="checkbox"/> <input type="checkbox"/>
ORBIT BURN MONITOR:			
GPC FILL-INS __ (__)			
<input type="checkbox"/> CRIT BURN			
<input type="checkbox"/> NON-CRIT BURN			
MAX TIG SLIP __ MIN. <input type="checkbox"/> DO NOT UPDATE TIG <input type="checkbox"/> UPDATE TIG AFTER __ MIN.			

SEP MANEUVER

SEP MANEUVER 11-2

**SEP
MNVR**

11-1

ORB OPS/ALL/GEN K

SEP MANEUVER

SEP
MNVR

- A6U 1. SET UP AFT STATION
√SENSE -Z
DAP: A1/INRTL/PRI
DAP TRANS: as reqd
- GNC 25 RM ORBIT
- F7/F8 SW RM INH – ITEM 16 EXEC (*)
FLT CNTLR PWR – ON
SW RM INH – ITEM 16 EXEC (no *)
2. OBTAIN VISUAL CONTACT THRU OVHD WINDOW
DAP ROT: as reqd
RHC: as reqd
- When adequate visual contact obtained,
DAP ROT: DISC/DISC/DISC
3. NULL CLOSING RATE
THC: +Z (out)
As reqd to null closing rate
- A1U 4. PERFORM RR ACQ (if desired)
KU MODE – RDR PASSIVE
RADAR OUTPUT – LO
sel – AUTO TRK
CNTL – PNL
- Slew antenna to target
- KU SEARCH – SEARCH (tb-gray)
- If no lock-on within 1 min,
repeat SEARCH as convenient

Cont next page

A6U 5. OBTAIN ~1 FPS OPENING RATE
DAP TRANS: NORM/NORM/NORM

- * If Norm Z sep desired: *
- * DAP: no LO Z *
- * THC: +Z (out) for 3 sec *
- * If LO Z sep desired (MCC call): *
- * DAP: LO Z *
- * THC: +Z (out) for 25 sec *

CRT 6. PERFORM OUT-OF-PLANE MNVR
GNC UNIV PTG
CNCL – ITEM 21 EXEC
GNC, OPS 202 PRO

GNC ORBIT MNVR EXEC
RCS SEL – ITEM 4 EXEC (*)

- * If time critical, *
- * Set TIG to current time +2.00 *
- * If not time critical, *
- * Set TIG to current time +22.00 *

TGT PEG 7 ΔV_x – ITEM 19 +0 EXEC
 ΔV_y – ITEM 20 +2 EXEC
 ΔV_z – ITEM 21 +0 EXEC
LOAD – ITEM 22 EXEC
TIMER – ITEM 23 EXEC

$\sqrt{VGO Z} \geq 0$; if $VGO Z < 0$

- * TGT PEG 7 ΔV_y – ITEM 20 -2 EXEC *
- * LOAD – ITEM 22 EXEC *
- * TIMER – ITEM 23 EXEC *
- * $\sqrt{VGO Z} \geq 0$ *

Do NOT MNVR to BURN ATT

A6U \sqrt{DAP} : no LO Z
At TIG, deflect THC to null VGOs

Cont next page

7. PERFORM FINAL SEP

GNC ORBIT MNVR EXEC

CRT $\sqrt{\text{RCS SEL - ITEM 4 (*)}}$

If ΔVY (block 6) +2:
| TV ROLL - ITEM 5 +2 7 0 EXEC
If ΔVY (block 6) -2:
TV ROLL - ITEM 5 +0 9 0 EXEC

Set TIG to TIG from step 6 +15:00
TGT PEG 7 ΔVx - ITEM 19 +3 EXEC
 ΔVy - ITEM 20 +0 EXEC
 ΔVz - ITEM 21 +0 EXEC

LOAD - ITEM 22 EXEC
TIMER - ITEM 23 EXEC
DAP: B1/AUTO/PRI

At TIG-8:00, MNVR - ITEM 27 EXEC (*)

A6U At TIG, deflect THC to null VGOs
FLT CNTLR PWR - OFF

8. MNVR TO MINIMUM DRAG ATTITUDE
(-ZLV/-XVV)

A6U DAP: A/AUTO/VERN

CRT GNC, OPS 201 PRO

GNC UNIV PTG

$\sqrt{\text{TGT ID: 2}}$
BODY VECT: 3
OM: 0
START TRK - ITEM 19 EXEC (CUR-*)

PGSC

PGSC ACT.....	12-3
OCA, PROSHARE, AND PCMMU EXPANSION	
CARDS.....	12-7
PGSC HARD DISK LATE UPDATE.....	12-8
OCA SETUP	12-10
CABLE DIAGRAM.....	12-15
DOWNLINK VIA GROUND CMD	12-16
DIRECTORY STRUCTURE	12-17
FILENAMES.....	12-18
KU-BAND (KFX) MANUAL DOWNLINK	12-19
S-BAND MODEM (MFX) ACTIVATION	12-20
SSR-1 REGAIN 2 GREEN LIGHTS	12-22
VIDEO CONFERENCING.....	12-23
PROSHARE CHALKBOARD	12-25
APPLICATION SHARING	12-26
OCA LOOPBACK TEST	12-27
CABLE DIAGRAM – LOOPBACK.....	12-28
PGSC NETWORK.....	12-29
NETWORK SETUP DIAGRAM.....	12-34
PCMCIA CARD REMOVAL	12-35
WINDECOM OPS	12-36
SETTING TIMES AND STATE VECTOR	12-41
WORLD MAP INITIALIZATION.....	12-43
COLOR PRINTER UNSTOW AND ASSEMBLE.....	12-45
WARMUP AND SELF-TEST	12-48
STOW.....	12-49
CHECK COLOR PRINTER SETTINGS.....	12-50
COLOR PRINTER PAPER JAM	12-50
INK CARTRIDGE CHANGEOUT	12-51
CLEANING PRINTER HEADS.....	12-53
PRINTER HEAD ALIGNMENT	12-54
EXECUTE PACKAGE PRINTING.....	12-55
PILOT WITH RHC.....	12-56
RHC SETUP DIAGRAM.....	12-60
WITHOUT RHC	12-61
UPDATING SpOC APPLICATIONS USING	
OCA DATA DISKETTE (ODD).....	12-63
PGSC HARD DISK SWAP	12-64
SWAP ON EXPANSION UNIT.....	12-65
DEACT.....	12-66

PGSC

WINDOWS KEYBOARD REF	12-67
WORLD MAP KEYBOARD REF	12-71
PGSC STATE VECTOR UPDATE WITHOUT PCMMU DATA.....	12-72
RELOAD STS PGSC	12-73
RECONFIGURE OCA/KFX FOR KU CHANNEL 3(2).....	12-73
UMBILICAL WELL TPS CAMERA IMAGERY DOWNLOADING.....	12-74

FIGURES

12-1	Side view of printer and trays, ready for assembly	12-46
12-2	Printer (top view/back view), PGSC (parallel port)	12-47

PGSC

PGSC ACT

A. PGSC WITH EXPANSION UNIT

1. If activating OCA Router PGSC, go to OCA SETUP, 12-10

2. Unstow:

PGSC with Expansion Unit
AC PWR cable

If PGSC to be networked:

PCMCIA Ethernet card, adapter assemblies
Ethernet cables
Network T-connectors
Network terminators (two)
Network barrel connectors (if reqd)

If WinDecom to be run:

PCMMU data cable (if not prerouted)
RS-232 Y data cable (if reqd)
RS-422 Y data cable (if reqd)
RS-422 PCMCIA cards, adapter boxes
(if reqd)

3. See UTILITY OUTLET PLUG-IN PLAN, ON-ORBIT CONFIG (REF DATA FS, UTIL PWR) or PGSC Usage Chart (if available) for appropriate AC Util Pwr outlet/sw to use

F1
(MO13Q,
A15,
MO52J,
ML85E)

4. ✓ AC UTIL PWR – OFF

NOTE

If needed, reference PGSC pictorials on 12-7 and 12-8 to identify PGSC ports, connectors

5. Connect PGSC AC PWR cable from AC Util Pwr outlet to Expansion Unit Pwr port

Cont next page

6. ✓ PGSC Expansion Unit fan/louver not obstructed

7. If multiple PGSCs to be powered from same AC Util Pwr outlet, repeat steps 2 thru 6 for each PGSC to be powered from same outlet

8. AC UTIL PWR – ON

9. If reqd, perform PGSC HARD DISK LATE UPDATE, 12-8, then:

10. ✓ Windows shut down

PGSC 11. Repeat steps 1 thru 10 for each PGSC to be networked

12. If PGSC to be networked, go to PGSC NETWORK, A. INITIAL SETUP, 12-28 >>

PGSC 13. PGSC pwr – on

14. Sel appropriate Expansion Unit config at Startup Menu, then press [ENTER]

15. Go to appropriate application setup procedure (e.g., WINDECOM OPS, 12-35, and/or WORLD MAP INITIALIZATION, 12-42), as needed >>

B. PGSC WITHOUT EXPANSION UNIT

1. Unstow:

PGSC

DC PWR SPLY

DC PWR cable

DC PWR SPLY cable

If PGSC to be networked:

PCMCIA Ethernet card, adapter assemblies

Ethernet cables

Network T-connectors

Network terminators (two)

Network barrel connectors (if reqd)

Cont next page

12-4

ORB OPS/ALL/GEN K

PWR
SPLY

2. √DC PWR SPLY PWR sw1 – OFF
3. See UTILITY OUTLET PLUG-IN PLAN, ON-ORBIT CONFIG (REF DATA FS, UTIL PWR) or PGSC Usage Chart (if available) for appropriate DC Util Pwr outlet/sw to use

F1
(MO13Q,
A11,A15,
MO30F,
MO52J,
ML85E,
O19,L12)

4. √DC UTIL PWR – OFF

NOTE

If needed, reference PGSC pictorials on 12-6 and 12-7 to identify PGSC ports, connectors

5. Connect PGSC DC PWR cable from DC Util Pwr outlet to DC Pwr Sply outlet (J1)
Connect DC PWR SPLY cable from DC Pwr Sply outlet (J2) to PGSC pwr port
6. √PGSC fan/louver (at center rear of PGSC) not obstructed
7. If multiple PGSCs to be powered from same DC Util Pwr outlet, repeat steps 2 thru 6 for each PGSC to be powered from same outlet
8. DC UTIL PWR – ON

PWR
SPLY

9. DC PWR SPLY PWR sw1 – ON (It on)

10. If reqd, perform PGSC HARD DISK LATE UPDATE, 12-9, then:

PGSC

11. √Windows shut down
12. Repeat steps 1 thru 11 for each PGSC to be networked

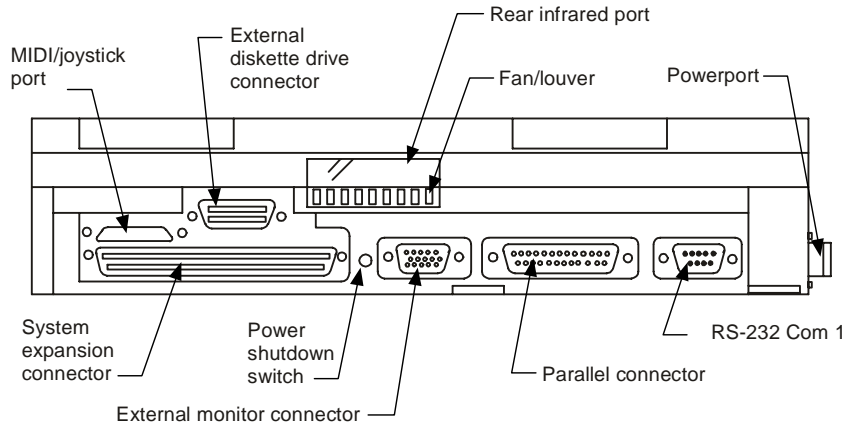
Cont next page

13. If PGSC to be networked, perform PGSC NETWORK, A. INITIAL SETUP, 12-28

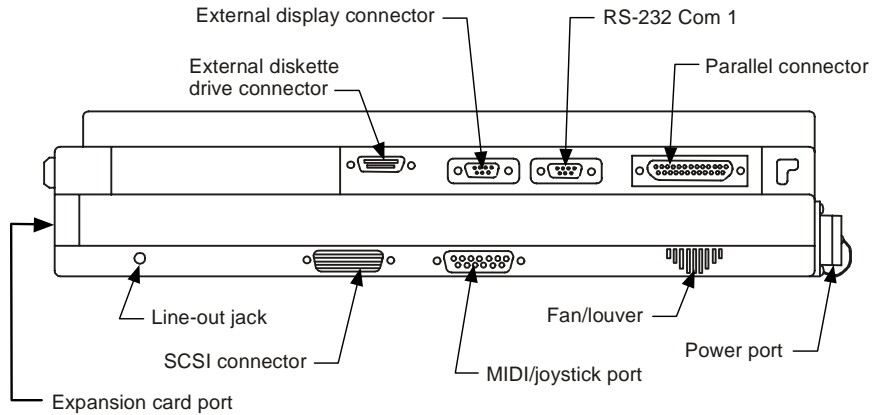
PGSC

14. PGSC pwr – on

15. Go to appropriate application setup procedure (e.g., WORLD MAP INITIALIZATION, 12-42), as needed



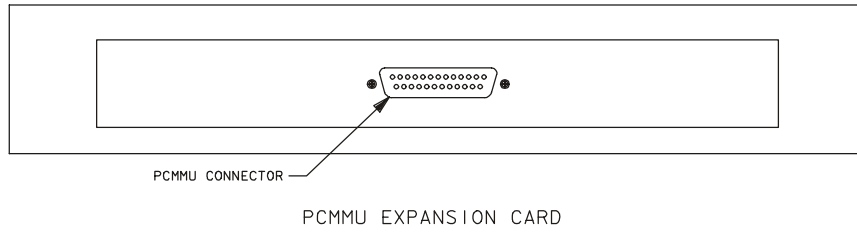
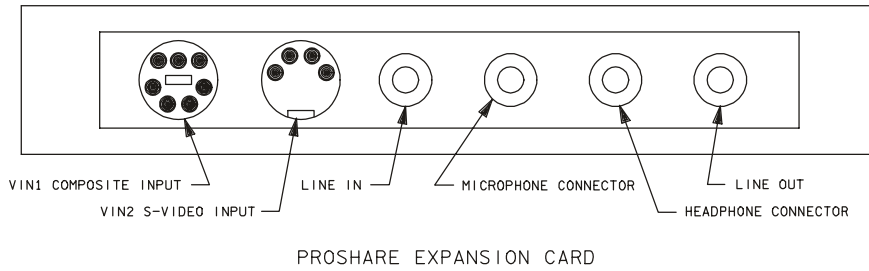
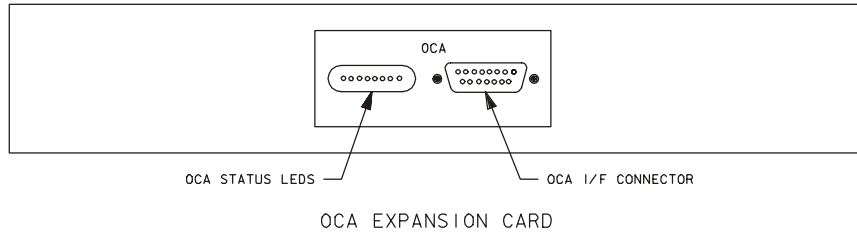
PGSC without Expansion Unit



PGSC with Expansion Unit

jsc_48035_10543.cnv

OCA, PROSHARE, AND PCMMU EXPANSION CARDS



480351208.PNL 1

PGSC HARD DISK LATE UPDATE

If late update reqd on STS PGSC portion of OCA Router PGSC hard disk:

- PGSC
- If running Windows NT (OCA Router software):
1. Press [CNTL]/[ALT]/[DEL]
Sel 'Shut Down' at 'Logon Information' dialog box
Sel 'OK'
When prompted:
PGSC pwr – off
- If running Windows 98:
2. Go to step 5
3. PGSC pwr – on
Within 15 sec, click on 'STS PGSC' at 'Boot Magic' boot-up menu
Sel 'Docked (OCA Card)' config at Startup Menu, then press [ENTER]
4. √PGSC pwr – on

CAUTION

If PCMCIA card is inserted in PCMCIA card slot for extended period of time, PCMCIA card may become hot

5. Insert PCMCIA card containing late PGSC updates

Cont next page

12-8

ORB OPS/ALL/GEN K

6. ✓'PCMCIA card' icon appears in system tray

- * If 'PCMCIA card' icon does not appear in *
- * system tray: *
- * ✓PCMCIA card properly inserted with *
- * correct side up (bottom release button *
- * extends outward and can be folded in) *
- * If no joy, eject PCMCIA card and *
- * reinsert *
- * If still no joy: *
- * Shut down Windows *
- * Eject PCMCIA card *
- * Power up in Windows 98 *
- * Repeat steps 5 and 6 *

7. Double-click 'Shuttle Apps'>'Late PGSC Update'

8. If referred to this procedure from OCA SETUP or PGSC ACT, follow instructions on PGSC monitor but shut down Windows (versus restart) >>

9. Follow instructions on PGSC monitor

OCA SETUP

1. Unstow:

- OCA Router PGSC with Expansion Unit
- ProShare PGSC with Expansion Unit
- AC Pwr cables (if not prerouted)
- OCA I/F cable (if not prerouted)
- PGSC Modem cable (if MFX ops reqd)
- PCMCIA Ethernet card, adapter assemblies
- Ethernet cables
- Network T-connectors
- Network terminators (2)
- Network barrel connectors (if reqd)

NOTE

At a minimum, network equipment should be configured for OCA Router and ProShare PGSCs.

Network must always be properly terminated when connected to powered PGSCs

If adding OCA Router PGSC to existing network, perform the following for each PGSC on network:

- PGSC
2. If time permits for PGSC shutdown and bootup process:
 - Shut down Windows
 - Go to step 6If time not available, proceed with step 6
 3. Click on 'PCMCIA card' icon in system tray
 - Click on popup window displaying 'Stop *NAME_OF_NETWORK_CARD*', wait for prompt
 4. Press [ENTER] at network card dialog box displaying 'You may safely remove this device'
 5. Remove PCMCIA Ethernet card from PCMCIA card slot
 6. Repeat steps 2 thru 5 for each PGSC on network

Cont next page

OCA ROUTER PGSC SETUP

7. Config network equipment for OCA Router PGSC, ProShare PGSC, and Color Printer (if reqd) per:
NETWORK SETUP DIAGRAM, 12-33
PGSC Usage Chart (if available) or UTILITY
OUTLET PLUG-IN PLAN, ON-ORBIT CONFIG
(REF DATA FS, UTIL PWR)

8. Config switches for Ku-Band file xfer:
√MCC for:
Ku-band rate _____
Pnl location of:
PDIP Pwr cb
KuBand Rate sw
cb PDIP PWR 2 KU BAND RLY – cl
Ku BAND RATE – LO(HI)

9. Config PGSC Modem cable (if MFX ops reqd) and
OCA I/F cable per OCA CABLE DIAGRAM, 12-15

10. See UTILITY OUTLET PLUG-IN PLAN, ON-ORBIT
CONFIG (REF DATA FS, UTIL PWR) or PGSC
Usage Chart (if available) for appropriate AC Util
Pwr outlet/sw to use

11. √AC UTIL PWR – OFF

12. Connect AC PWR cable between AC Util Pwr outlet
and OCA Router PGSC per:
PGSC Usage Chart (if available) or UTILITY
OUTLET PLUG-IN PLAN, ON-ORBIT CONFIG
(REF DATA FS, UTIL PWR)

NOTE

Following two steps will prevent
unnecessary pwrdsn of AC Util Pwr outlet

13. If OCA Router and ProShare PGSCs powered from
same AC Util Pwr outlet, connect AC PWR cable to
ProShare PGSC

Cont next page

- 14. If reqd, perform COLOR PRINTER UNSTOW AND ASSEMBLE, 12-44, then:
- 15. AC UTIL PWR – ON

OCA
Router
PGSC

- 16. If reqd, perform PGSC HARD DISK LATE UPDATE, 12-9, then:
- 17. √Windows shut down
- 18. Insert PCMCIA Ethernet card into PCMCIA card slot

NOTE

After powering on OCA Router PGSC, allow ~2 min for completion of bootup process

- 19. PGSC pwr – on
- 20. Press [CTRL]/[ALT]/[DEL] to log onto Windows NT
√Password field blank on 'Logon Information' dialog box
Sel 'OK'
Wait ~10 sec for logon sequence to complete
- 21. Verify data rate:
Double-click 'OCA Control Panel Applet' icon on desktop

- * If error msg displayed: *
- * Acknowledge msg *
- * PGSC pwr – off *
- * Eject,reinsert PCMCIA card *
- * Repeat steps 19 thru 21 *
- * If no joy: *
- * PGSC pwr – off *
- * Replace PCMCIA card,adapter *
- * Repeat steps 19 thru 21 *

Cont next page

√'Local OCA Card-1' display on desktop
In 'OCA-FLIGHT VC-2D' section of 'Local OCA
Card-1' display:
√SEND – 2(4)M

- * If send rate out of config: *
- * Sel 'Control'>'Transmit Rate'>'2(4) *
- * Mbps OCA internal clock (Shuttle *
- * Ku Channel 2(3))' *

PROSHARE PGSC SETUP

22. If ProShare PGSC already connected to AC PWR cable per step 13 of OCA SETUP, go to step 27
23. See UTILITY OUTLET PLUG-IN PLAN, ON-ORBIT CONFIG (REF DATA FS, UTIL PWR) or PGSC Usage Chart (if available) for appropriate AC Util Pwr outlet/sw to use
24. √AC UTIL PWR – OFF
25. Connect AC PWR cable between AC Util Pwr outlet and ProShare PGSC per:
PGSC Usage Chart (if available) or UTILITY OUTLET PLUG-IN PLAN, ON-ORBIT CONFIG (REF DATA FS, UTIL PWR)
26. AC UTIL PWR – ON

ProShare

- PGSC
27. If reqd, perform PGSC HARD DISK LATE UPDATE, 12-9, then:
 28. √Windows shut down
 29. Insert PCMCIA Ethernet card into PCMCIA card slot
 30. If PGSC powered off:
PGSC pwr – on
If reqd, sel appropriate Expansion Unit config at Startup Menu, then press [ENTER]

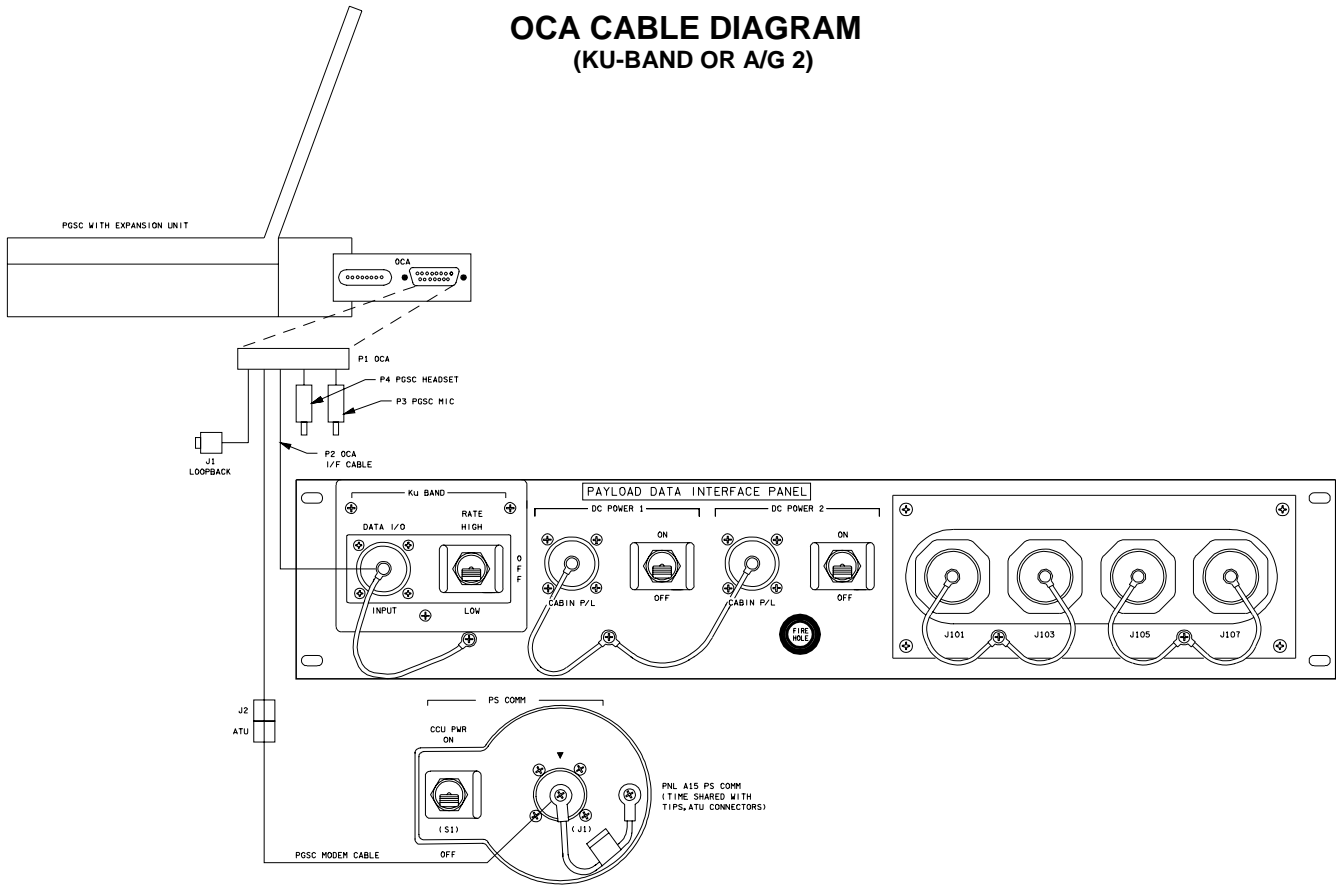
Cont next page

31. Press [ENTER] for any of the following:
 - 'Enter Network Password' dialog box (if displayed)
 - 'Restoring Network Connections' dialog boxes
 - 'Windows Networking' dialog boxes (if displayed)
32. Repeat steps 29 thru 31 for each PGSC to be added to network
33. If reqd, perform COLOR PRINTER WARMUP AND SELF-TEST, 12-47, then:
34. Verify network connectivity using PingMaster:
 - Double-click 'Shuttle Apps'>'Network Config'>'PingMaster'
 - √'Status' column of 'Network Primary' and 'Network Nodes' sections for networked PGSCs
 - If status is 'Good Response' for networked PGSCs, press [CTRL]/[x] to exit PingMaster (if desired)
 - * If status is not 'Good Response', verify *
 - * proper network cable and card *
 - * connections, then recheck status in *
 - * PingMaster *

ProShare

- PGSC 35. Double-click 'Shuttle Apps'>'KFX'
Arrange 'KFX' window as desired
36. Retrieve OCA Data Diskette from FDF
Insert diskette in floppy drive of ProShare PGSC

OCA CABLE DIAGRAM (KU-BAND OR A/G 2)



12-15

ORB OPS/ALL/GEN K

OCA DOWNLINK VIA GROUND CMD

1. MOVE FILE(S) TO DOWNLINK DIRECTORIES

NOTE

Files downlinked via ground cmd
unless MCC instructs otherwise

See OCA DIRECTORY STRUCTURE, 12-17
See OCA FILENAMES, 12-18, for file naming
convention

PGSC

Copy(Move) desired files to c:\oca-down\
dcs(payloads)
Notify MCC when complete

2. MONITOR KFX DOWNLINK (if desired)

When link established:

From 'KFX' window:

- √REMOTE KFX – green
- √Uplink arrow ('↑' next to send rate) – green
- √Dnlink arrow ('↓' next to send rate) – green

√KFX application activated

√File Transfer Status dialog (displayed during file xfer)

3. MONITOR MFX DOWNLINK (if desired)

If MFX application not activated:

Perform OCA S-BAND MODEM (MFX)
ACTIVATION, 12-20, then:

If minimized:

√Icon Title displaying File Name, Send/Receive
Status

NOTE

For detailed file xfer information, following
steps must be completed prior to file xfer
initiation

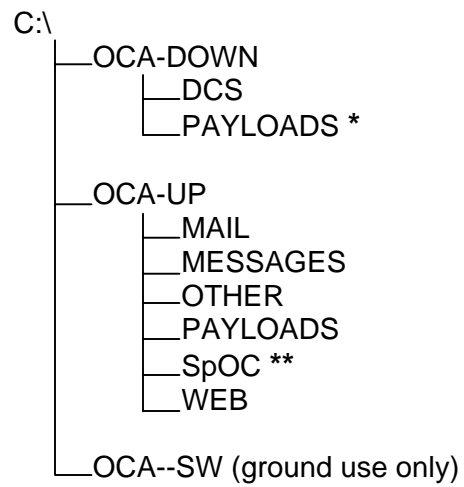
Sel 'E'ile' on menu bar of MFX application

√S_how Status During File Xfers – (√)

√Z MODEM(1K-X MODEM) display appears

√Displaying File Name, Send/Receive Status

OCA DIRECTORY STRUCTURE



* PAYLOADS Directory: Directory may contain flight-specific subdirectory

** SpOC Directory: Directory will contain latest SpOC updates. To create SpOC update disk, copy all files in c:\oca-up\spoc\uplink to a:\uplink

OCA FILENAMES

UPLINKED FILES

	<u>LOCATION</u>
SpOC updates:	a:\uplink\ (c:\oca-up\spoc\)
Ops notes:	c:\oca-up\other\opsxxxx.doc
Graphics files:	c:\oca-up\other\othrxxxx.bmp
Uplinked personal mail*:	c:\oca-up\mail\
Uplinked Payload files:	c:\oca-up\payloads\

DOWNLINKED FILES

	<u>LOCATION</u>
Personal mail, other*:	c:\oca-down\mail\
Payload files:	c:\oca-down\payloads\

STD FILENAMES

filename.doc	WORD documents only
filename.txt	ASCII text file (NOTEPAD or WORD)
filename.bmp	Graphics file (Paint)
filename.pcx	Graphics file (Paint)
famcdr01.doc*	family mail: CDR → family on FD01
cdrfam02.doc*	family mail: family → CDR on FD02
fltcd02.doc*	message: CDR → FLT Director on FD02

*Outlook OST files are nominally used for personal mail. If Outlook is not working properly, the above file locations and nomenclature will be used

NOTE

Do not downlink medical data. Downlink directories will be cleared of all files at end of each OCA session. To retain archive copy of downlink msgs, save in personal directory

OCA KU-BAND (KFX) MANUAL DOWNLINK

- PGSC
1. CONFIGURE S/W FOR FILE DOWNLINK
If reqd, enlarge 'KFX' window

From 'KFX' window:
 - √REMOTE KFX – green
 - √Uplink arrow ('↑' next to send rate) – green
 - √Dnlink arrow ('↓' next to send rate) – green
 2. SELECT FILE(S) TO DOWNLINK
Use WINDOWS EXPLORER to sel files/directories to transfer
Drag files over KFX window
Rel mouse button
√'KFX File Transfer Preview' display appears with selected file(s) listed
 3. ADD ADDITIONAL FILE FOR DOWNLINK (if reqd)
√'KFX File Transfer Preview' display active
Sel 'add to list' button (button with documents, '+' symbols)
√'Select Files for Transfer' display appears
Sel desired file from file listbox
Sel 'Select' button
Repeat for each additional file as reqd
Sel 'Done' button
 4. REMOVE FILE FROM DOWNLINK (if reqd)
√'KFX File Transfer Preview' display active
Sel desired file(s) in listbox
Sel 'delete' button (button with 'X')
 5. START FILE DOWNLINK

NOTE

User may halt transfer while in progress by sel 'Abort' button

 - √'KFX File Transfer Preview' display active
 - Sel 'downlink' button (button with '↓')
 - √'File Transfer Status' display appears
 - √Displaying xfer status

* If error displayed, repeat step 5 *

OCA S-BAND MODEM (MFX) ACTIVATION

1. ESTABLISH LINK

On MCC GO:

A15 PS COMM CCU PWR – OFF

L9 PS AUD PWR – AUD
A/G 1 – OFF
A/G 2 – T/R
A/A – OFF
ICOM (two) – OFF
VOL A/G 2 tw – 0
XMIT/ICOM MODE – PTT/PTT

CAUTION

Loss of A/A (UHF) will occur if OCA PGSC Modem cable connected to COMM OUTLET and A/A in T/R on ATU

O9 R AUD A/G 2 – OFF
O5 L AUD A/G 2 – OFF
R10 MS AUD A/G 2 – OFF
MO42F MIDDECK SPKR AUD A/G 2 – OFF

A15 ✓PGSC Modem cable connected to PS COMM outlet

2. ACTIVATE FILE XFER S/W

OCA If PGSC not running Windows 98:
Router Restart (or pwr on) PGSC
PGSC Within 15 sec, click on 'STS PGSC' at 'Boot Magic' bootup menu
Sel 'Docked (OCA Card)' config at Startup Menu, then press [ENTER]

Double-click 'Shuttle Apps'>'OCA ProShare'>'MFX'
✓'MFX' display appears
✓WINDOW – OFFLINE
Arrange 'MFX' window as reqd

Cont next page

12-20

ORB OPS/ALL/GEN K

- ┌ | | | ┌
3. VERIFY PRINTER SETTINGS
- MFx PGSC Click 'Start'>'Settings'>'Printers'
- In "Printers" window, right-click "NETWORK EPSON1" printer
- On popup menu:
- Verify "Set as Default" checked
 - Verify "Use Printer Offline" NOT checked
- Close "Printers" window

OCA SSR-1 REGAIN 2 GREEN LIGHTS

OCA

- Router
1. Rcd UPLK/DNLK colors in STATUS box of OCA Control Panel window:
Uplink (green circle/red circle/yellow “?”): _____
Downlink (green circle/red circle/yellow “?”): _____
 2. Check Status of OCA link (via OCA Control Panel window on OCA Router) after each step below.
Exit SSR and notify MCC of actions taken when 2 green lights are displayed on router.

SSP

3. ✓cb PDIP PWR 1(2) KU BAND RLY – cl

PDIP

4. ✓KU BAND RATE in correct posn
If OCA 2 Mbps, KU channel 2 – LO
If OCA 4 Mbps, KU channel 3 – HI

OCA

Router

5. ✓OCA Router set to correct transmit rate:
If KU channel 2:
| ‘Control’>‘Transmit Rate’>‘2 Mbps OCA...’
If KU channel 3:
| ‘Control’>‘Transmit Rate’>‘4 Mbps OCA...’
6. Verify that OCA INTERFACE CABLE is well seated to both PDIP panel and OCA card in Router
7. Perform OCA LOOPBACK TEST, 12-27
If 2 green lights observed during loopback test:
| Cable and card are good
| Reconnect OCA INTERFACE CABLE to PDIP panel
| Problem downstream of OCA INTERFACE CABLE
| ✓MCC
If 2 green lights not observed during loopback test:
| Possible problem with OCA card or OCA INTERFACE CABLE
| ✓MCC

VIDEO CONFERENCING

1. Unstow:
 - Headset
 - Minicam
 - ProShare Video/Pwr cable
 - VLHS to VTS I/F cable
2. ✓OCA SETUP, 12-10, complete
3. Config cables per MINI-CAM CONF SETUP (PHOTO/TV, VIDEO CONF)

ProShare
PGSC

4. Double-click 'Shuttle Apps'>'ProShare Video'
5. ✓Video active in 'Local' window
6. Adjust Thinkpad display tilt angle, camera posn, iris, focus so operator's face centered in 'Local' video window
7. ✓Picture quality and position
 - * If picture quality poor: *
 - * From 'Local' video window: *
 - * Sel 'Adjusts video' button ('slide *
 - * bar' icon) *
 - * Adjust picture quality as reqd *
 - * Sel 'Close' button *
 - * If 'Save camera control settings?' *
 - * appears, sel 'Yes' button *
 - * *
 - * From 'Local' video window: *
 - * ✓'Zooms in' button (mag glass) in *
 - * out position *
8. TO RECEIVE CALL
Notify MCC when ready to receive video conference call, wait for MCC to initiate

Cont next page

12-23

ORB OPS/ALL/GEN K

9. TO INITIATE CALL

Notify MCC when ready to place video conference call, wait for MCC confirmation

Sel 'Dial List' button

Sel 'MCC, PC'

Sel 'Dial' button

NOTE

Title of remote video window changes to designate caller when video conference established

10. CONDUCT VIDEO CONFERENCE

NOTE

Video conference performance may be affected if other applications are active

√Remote video window active, audio active

Sel 'Split' button on handset

Move remote video window directly beneath camera

Adjust audio volume using slide bar under remote video window

√Headset/speaker Toggle button configured for headset audio (button not depressed)

11. TERMINATE VIDEO CONFERENCE

NOTE

When video conference completed, either side can terminate call. If MCC has disconnect, 'Hang Up' button will change to 'Dial'

From ProShare Video handset:

Sel 'Hang Up' button

Sel System Menu (upper left corner)

Sel 'Exit' ([ALT]/[SHIFT]/[F4])

PROSHARE CHALKBOARD

1. If not already completed, perform VIDEO CONFERENCING, steps 1 thru 8(9), 12-22, then:

2. TO RECEIVE CHALKBOARD SESSION

Notify MCC when ready to receive chalkboard session, wait for MCC to initiate

PGSC

From ProShare Video handset, sel 'Split' button
If 'Local' video remains on screen, minimize 'Local' video window

3. TO INITIATE CHALKBOARD SESSION

Notify MCC when ready to initiate chalkboard session, wait for MCC confirmation

From ProShare Video handset, sel 'Share Document' button

Sel 'Yes' at 'Do you want to share notebook?' dialog box

Minimize all unused windows

4. TERMINATING CHALKBOARD SESSION

NOTE

When chalkboard session completed, either side can terminate session

From ProShare Personal Conferencing menu bar:

Sel 'Conference'

Sel 'UnShare Notebook' menu

If MCC has terminated session, sel 'OK' in 'The other participant closed the notebook'

From ProShare Personal Conferencing menu bar:

Sel 'File'

Sel 'Exit'

NOTE

Operator will be prompted to save chalkboard session in 'xxxx.mtg' file

APPLICATION SHARING

- PGSC
1. Launch desired application
 2. Perform PROSHARE CHALKBOARD, steps 1 and 2(3), 12-24, then:
 3. From ProShare Personal Conferencing menu bar:
Sel 'Application'
Sel 'Share Application View...'
 4. From 'Share Application View' dialog box:
Sel desired application
Sel 'OK'
 5. Perform application edits with MCC when application is shared

NOTE

Mouse operation, shared between MCC and flight operator, must be coordinated using conference audio

6. TERMINATING APPLICATION SHARING
Either side can terminate application sharing by exiting application

OCA LOOPBACK TEST

NOTE

Perform procedure on OCA Router
PGSC running in Windows NT

1. LOGON TO WINDOWS NT
OCA Router Press [CTRL]/[ALT]/[DEL] to log onto Windows NT
PGSC Sel 'OK' on 'Logon Information' dialog box
Wait ~10 sec for logon sequence to complete
Double-click 'OCA Control Panel Applet' icon on
desktop
√'Local OCA Card-1' display on desktop
2. INITIATE INTERNAL LOOPBACK TEST
From 'Local OCA Card-1' display:
Sel 'OCA Self Tests' on menu bar
Sel 'Internal Loopback'

√'Local OCA Card-1' display:
Successful Test – Animated signal moving inside
PC icon
Unsuccessful Test – 'Frowny face' displayed
inside PC icon
Inform MCC of results
3. TERMINATE INTERNAL LOOPBACK TEST
From 'Local OCA Card-1' display:
Sel 'OCA Self Tests' on menu bar
Sel 'Stop Loopback Testing'
4. INITIATE EXTERNAL LOOPBACK TEST
Disconnect OCA I/F cable from PDIP panel
Connect PDIP end of OCA I/F cable to loopback port
on PGSC end of cable
See OCA CABLE DIAGRAM – LOOPBACK, 12-27,
for cable config

From 'Local OCA Card-1' display:
Sel 'OCA Self Tests' on menu bar
Sel 'External Loopback #1'

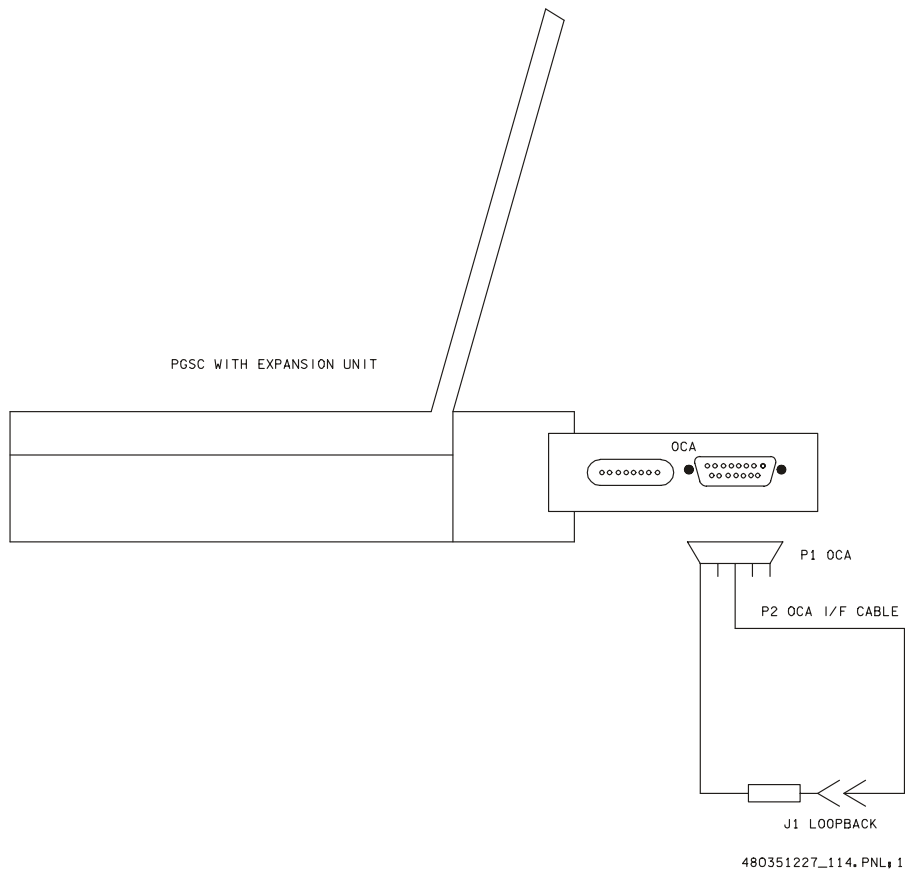
Cont next page

- √'Local OCA Card-1' display:
 - Successful Test – Animated signal moving outside PC icon
 - Unsuccessful Test – 'Frowny face' displayed inside PC icon
 - Inform MCC of results

5. TERMINATE EXTERNAL LOOPBACK TEST

- From 'Local OCA Card-1' display:
 - Sel 'OCA Self Tests' on menu bar
 - Sel 'Stop Loopback Testing'

OCA CABLE DIAGRAM – LOOPBACK



PGSC NETWORK

A. INITIAL SETUP

NOTE

Procedure assumes PGSC ACT, 12-3, performed for each PGSC to be networked

1. If setting up network for OCA Router PGSC, go to OCA SETUP, 12-10

NOTE

Use red color-coded terminators and T-connectors for PGSC network

2. Unstow:
PCMCIA Ethernet card, adapter assemblies
Ethernet cables
Network T-connectors
Network terminators (2)
Network barrel connectors (if reqd)
3. Configure network equipment per:
NETWORK SETUP DIAGRAM, 12-33
PGSC Usage Chart (if available) or UTILITY
OUTLET PLUG-IN PLAN, ON-ORBIT
CONFIG (REF DATA FS, UTIL PWR)
√Network properly terminated

NOTE

If another resource (e.g., ESC) requires use of a specific PCMCIA card slot, use PCMCIA card slot which would avoid network card reconfiguration

- PGSC
4. Insert PCMCIA Ethernet card into any PCMCIA card slot of unpowered PGSCs
 5. PGSC pwr – on

Cont next page

6. If Expansion Unit attached:
Sel appropriate Expansion Unit config at
Startup Menu, then press [ENTER]

7. If PGSC locks up during bootup or during
network ops:

- * ✓PCMCIA Ethernet cards properly *
- * inserted into PCMCIA card slots *
- * ✓Adapters properly mated to network *
- * T-connectors *
- * ✓Network cables and terminators *
- * properly mated to T-connectors *

8. ✓'PCMCIA card' icon appears in system tray

- * If 'PCMCIA card' icon does not appear in *
- * system tray: *
- * ✓PCMCIA Ethernet card properly *
- * inserted with correct side up (bottom *
- * release button extends outward and *
- * can be folded in) *
- * If no joy, eject PCMCIA Ethernet card *
- * and reinsert *
- * If still no joy, shut down Windows, *
- * repeat steps 5 thru 8 *

NOTE

Windows will attempt to connect to all
mapped drives

9. Press [ENTER] for any of the following:
Network password prompt (if displayed)
'Restoring Network Connections' dialog
boxes
'Windows Networking' dialog boxes
(if displayed)

10. Repeat steps 4 thru 9 for each PGSC to be
networked

Cont next page

11. Verify network connectivity using PingMaster:
 - Double-click 'Shuttle Apps'>'Network Config'>'PingMaster'
 - √'Status' column of 'Network Primary' and 'Network Nodes' sections for networked PGSCs
 - If status is 'Good Response' for networked PGSCs, press [CTRL]/[x] to exit PingMaster (if desired)
 - * If status is not 'Good Response', *
 - * verify proper network cable and *
 - * card connections, then recheck *
 - * status in PingMaster *
12. For each networked PGSC, go to appropriate application setup procedure (e.g., WINDECOM OPS, 12-35 and/or WORLD MAP INITIALIZATION, 12-42) as needed >>

B. RECONFIG

NOTE

Procedure assumes PGSC ACT, 12-3, performed for each PGSC to be added to network.

Use red color-coded terminators and T-connectors for PGSC network

1. If reqd, unstow additional network cables, cards, adapters, terminators, and T-connectors
- PGSC 2. If OCA Router PGSC on network and running Windows NT:
 - Press [CTRL]/[ALT]/[DEL] to log onto Windows NT
 - Sel 'Shut Down' at 'Logon Information' dialog box
 - Sel 'OK'

When prompted:
PGSC pwr – off

Cont next page

3. If time available for shutdown and bootup process of non-OCA Router PGSCs on network:
 - Shut down Windows
 - Go to step 7If time not available, proceed with step 4
4. Click on 'PCMCIA card' icon in system tray
Click on popup window displaying 'Stop *NAME_OF_NETWORK_CARD*', wait for prompt
5. Press [ENTER] at network card dialog box displaying 'You may safely remove this device'
6. Remove PCMCIA Ethernet card from PCMCIA card slot
7. Repeat steps 3 thru 6 for each PGSC on network

NOTE

Network must always be properly terminated when connected to powered PGSCs

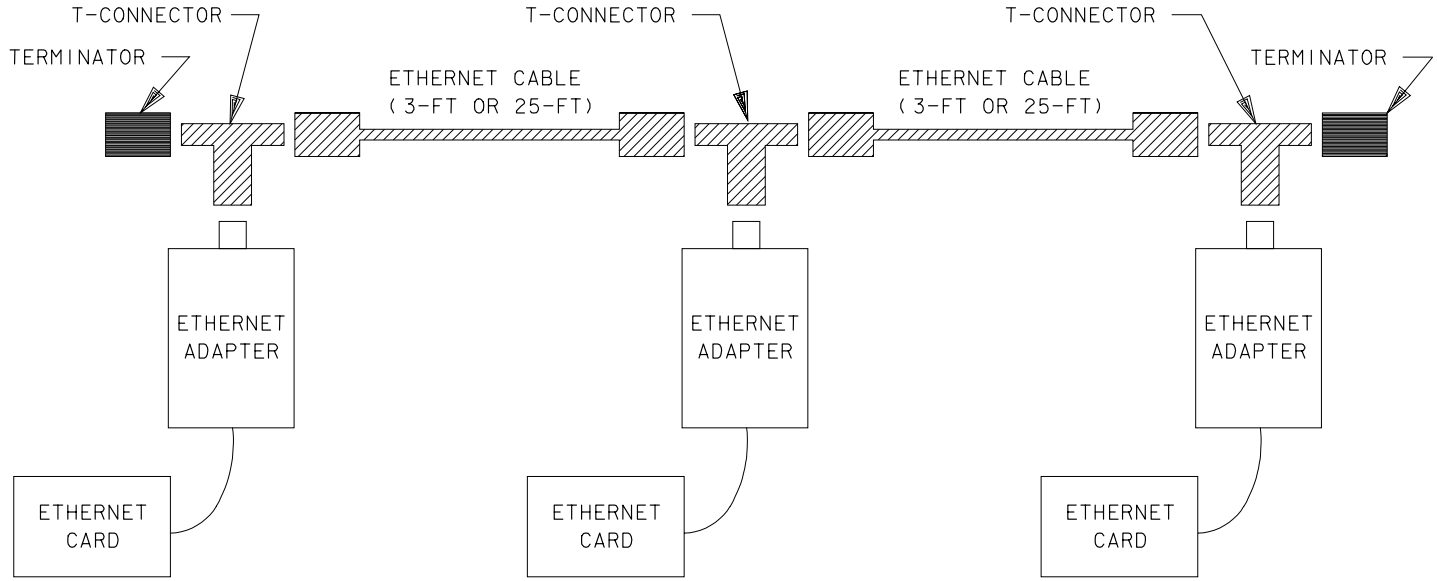
8. Reconfigure network cables, cards, adapters, terminators, and T-connectors per:
 - NETWORK SETUP DIAGRAM, 12-33
 - PGSC Usage Chart (if available) or UTILITY OUTLET PLUG-IN PLAN, ON-ORBIT CONFIG (REF DATA FS, UTIL PWR)√Network properly terminated
9. Insert PCMCIA Ethernet cards into PCMCIA card slots of all PGSCs to be networked
10. If PGSC powered off:
 - PGSC pwr – on
 - If reqd, sel appropriate Expansion Unit config at Startup Menu, then press [ENTER]
11. Perform A. INITIAL SETUP, steps 8 thru 12, 12-28

Cont next page

- PGSC
- C. TEARDOWN
1. Single-click 'PCMCIA Card' icon in system tray
 2. Click on popup window displaying 'Stop *NAME_OF_NETWORK_CARD*', wait for prompt
 3. Press [ENTER] at dialog box displaying 'You may safely remove this device'
 4. Depress release button to eject PCMCIA card from PCMCIA card slot
 5. Remove PCMCIA card
 6. Disconnect network cables from network T-connectors
 7. Disconnect network T-connectors from network adapters
 8. Stow network equipment

- PGSC
- D. PGSC NAMING
1. √MCC for new PGSC name
 2. Double-click 'Shuttle Apps'>'Network Config'>'Rename PGSC'
 3. Sel 'Yes' to run 'Unique Client Config' program
 4. At 'Network Client Config' dialog box, sel appropriate computer name assigned by MCC
 5. Sel 'Update' button
 6. Sel 'OK' at 'Verification' and 'Update' dialog boxes
 7. Sel 'Yes' to restart PGSC

NETWORK SETUP DIAGRAM



12-34

ORB OPS/ALL/GEN K

ETHERNET CARDS CAN BE
INSERTED INTO EITHER PCMCIA
CARD SLOT ON NETWORK PGSC

PCMCIA CARD REMOVAL

- PGSC
1. If RS-422 PCMCIA card:
Shut down Windows
√Power off completed
Go to step 5
 2. Single-click 'PCMCIA Card' icon in system tray
 3. Click on popup window displaying 'Stop
NAME_OF_CARD', wait for prompt
 4. Press [ENTER] at dialog box displaying 'You may
safely remove this device'

CAUTION

If PCMCIA hard disk drive is inserted in
PCMCIA card slot for extended period
of time, PCMCIA card may be hot

5. Depress release button to eject PCMCIA card from
PCMCIA card slot
6. Remove PCMCIA card

WINDECOM OPS

A. ACT

1. Unstow data cables, cards, adapters:
 - PCMMU data cable (if not prerouted)
 - RS-232 Y data cable (if reqd)
 - RS-422 Y data cable (if reqd)
 - RS-422 PCMCIA cards, adapter boxes (if reqd)
- C3
MO30F 2. VOI PCMMU PWR – 1(2)
 - If using pnl O5 to receive PCMMU feed, verify jumper plug connected to PCMMU 1(2) outlet
 - If using pnl MO30F to receive PCMMU feed, disconnect jumper plug from PCMMU 1(2) outlet
- O5
(MO30F) 3. Connect PCMMU data cable from PCMMU 1(2) outlet to PGSC PCMMU expansion card port
4. If sending WinDecom data via serial connection(s):
 - See UTILITY OUTLET PLUG-IN PLAN, ON-ORBIT CONFIG (REF DATA FS, UTIL PWR) or PGSC Usage Chart (if available) for appropriate data cable/card connections from WinDecom PGSC to end user PGSC(s)
5. If sending WinDecom data via network:
 - See UTILITY OUTLET PLUG-IN PLAN, ON-ORBIT CONFIG (REF DATA FS, UTIL PWR) or PGSC Usage Chart (if available) for appropriate network cable connections from WinDecom PGSC to end user PGSC(s)
 - If not already done, perform PGSC NETWORK, 12-28

Cont next page

6. Double-click 'Shuttle Apps'>'Windecom'> appropriate WinDecom application
After ~30 sec, verify 'Tlm Pkt-Net' and 'Tlm Pkt-Com' displays appear

End user
PGSC

7. ✓Software application(s) on end user PGSC(s) receiving WinDecom data

- * If Software application(s) on end user *
 - * PGSC(s) not receiving WinDecom *
 - * data, go to C. TROUBLE- *
 - * SHOOTING, below *
- >>

B. DEACT

Win
Decom
PGSC

1. Double-click 'Shuttle Apps'>'Windecom'> 'WinDecom Shutdown'
Sel 'OK' to shut down telemetry system >>

C. TROUBLESHOOTING

NOTE

The following individual steps may fix the problem. Exit procedure as needed

PCSC

If dynamic data not displayed on WinDecom 'Tlm Pkt-Net' and/or 'Tlm Pkt-Com' displays:

1. ✓PGSC PCMMU card receiving data from orbiter PCMMU stream:
From WinDecom 'Tlm Pkt-Net' and/or 'Tlm Pkt-Com' displays, sel 'Packets' tab and verify 'send at' GMT times are dynamic

If no joy, verify PCMMU data cable properly connected at orbiter PCMMU port and PGSC Expansion Unit PCMMU port, repeat step 1, above

✓End user PGSC(s) receiving WinDecom data

Cont next page

2. Repeat A. ACT, step 2, 12-35
3. Disconnect PCMMU cable at both ends, connect backup PCMMU cable between orbiter PCMMU port and PGSC Expansion Unit PCMMU port
4. Replace WinDecom PGSC with backup PGSC with PCMMU Expansion Unit

If end user PGSC(s) not receiving WinDecom data:

5. √Data being sent out from network and/or com ports on WinDecom PGSC:
From WinDecom 'Tlm Pkt-Net' and/or 'Tlm Pkt-Com' displays, sel 'Ports' tab and verify 'Bytes' indicator is dynamic
6. √Network, RS-232 Y, and/or RS-422 Y data cables properly connected on WinDecom and end user PGSC(s)
If applicable, verify RS-422 PCMCIA card(s) properly inserted and RS-422 adapters properly connected
7. If sending WinDecom data via network, check network status using PingMaster:
Double-click 'Shuttle Apps'> 'Network Config'>'PingMaster' on any networked PGSC
√'Status' column of 'Network Nodes' section for WinDecom PGSC and end user PGSC(s)
If status is 'Good Response' for networked PGSCs, press [CTRL]/[x] to exit PingMaster (if desired)
If status is not 'Good Response':
√Proper network cable and card connections, then recheck status in PingMaster
Double-click 'Telemetry Server' icon (i.e., red stop sign or yellow circle) in system tray of each end user PGSC not receiving data
Sel 'File' on menu bar, then sel 'Reset Server'

Cont next page

8. If end user application supports Telemetry Server and PGSC set up to receive serial data, verify port and baud rate selections:
- Double-click 'Telemetry Server' icon (i.e., red stop sign or yellow circle) in system tray of each end user PGSC not receiving data
 - Sel 'Source' on menu bar of Telemetry Server
 - √'Serial' selected (√)
 - Sel 'Port' on menu bar
 - √Com port selected (√) same as com port receiving WinDecom data
 - √Correct baud rate selected for com port:
 - Open 'Packet & TFL Info' table (from 'Shuttle Apps'>'WinDecom' of any PGSC)
 - √Footnotes of table to determine proper baud rate for each com port, then minimize file
 - Sel 'Baud' on menu bar of Telemetry Server
 - √Baud rate selected (√) matches rate shown in footnote of table for particular com port
9. √Current TFL and WinDecom data output config can support end user application(s):
- Open 'Packet & TFL Info' table (from 'Shuttle Apps'>'WinDecom' of any PGSC)
 - Reference table to verify current loaded TFL supports particular end user application(s)
 - √'Output' column of table for packet output from WinDecom (com ports and network), compare info to cabling on WinDecom PGSC

Cont next page

10. If end user application supports Telemetry Server, from 'Help' on menu bar of Telemetry Server of each end user PGSC not receiving data:
Sel 'Trouble-shooting' for more troubleshooting info

SETTING TIMES AND STATE VECTOR

- PGSC
1. Double-click 'Shuttle Apps'>'Time Utilities'>'Time-Vector Server'
 2. Sel 'Update' on menu bar
Sel 'Time Values'
 3. If PGSC configured to receive WinDecom data:
At bottom of 'Update Time Values' dialog box,
verify 'Auto Synch PGSC with PCMMU'
checked (√) on
√'Receiving PCMMU data' is displayed
 - * If 'Not receiving PCMMU data' displayed: *
 - * Sel 'Exit' to close dialog box *
 - * Perform WINDECOM OPS, *
 - * C. TROUBLESHOOTING, 12-36, *
 - * then: *
 - * Repeat steps 2-3 *

Sel 'Exit' to close dialog box

Sel 'Update' on menu bar
Sel 'State Vector'
At bottom of 'Update State Vector' dialog box,
verify 'PCMMU feed' checked (√) on
√'Receiving vector PCMMU data' is displayed
Sel 'Exit' to close dialog box
Minimize 'Time/State Vector Server' application
 4. If PGSC not configured to receive WinDecom data:
Set GMT, MET, and/or launch values as reqd
Sel 'Apply'
Sel 'Exit' to close 'Update Time Values' dialog
box
Sel 'Update' on menu bar
Sel 'State Vector'

Cont next page

GNC 34 ORBIT TGT

PGSC

Update state vector info using data from SPEC 34 display
Sel 'Apply'
Sel 'Exit' to close 'Update State Vector' dialog box
Sel 'File' on menu bar
Sel 'Exit'

WORLD MAP INITIALIZATION

- PGSC
1. Double-click 'Shuttle Apps'>'World Map'
 2. If 'World Map Initialization' dialog box displays "ERROR: vector > 4 days...":
 - Sel 'OK'
 - Go to step 4
 - If 'World Map Initialization' dialog box displays "For best results, update GMT and State Vector...", sel 'OK'
 3. Proceed to initialization sequence by selecting 'NO' at 'World Map Initialization' dialog box
 4. At 'Update Time Values' dialog box, verify correct GMT of launch
 5. If PGSC configured to receive WinDecom data:
 6. At bottom of 'Update Time Values' dialog box, verify 'Auto Synch PGSC with PCMMU' checked (✓) on
✓'Receiving PCMMU data' is displayed
 - * If 'Not receiving PCMMU data' *
 - * displayed: *
 - * Sel 'Exit' to close dialog box *
 - * Sel 'Exit' to close 'Update *
 - * Orbiter State Vector' dialog box *
 - * Perform WINDECOM OPS, *
 - * C. TROUBLESHOOTING, *
 - * 12-36 then: *
 - * Sel 'File' from WorldMap menu *
 - * bar *
 - * Sel 'Update' *
 - * Sel 'Time Values' *
 - * ✓'Receiving PCMMU data' is *
 - * displayed in dialog box *
 - * Sel 'Exit' *
 - * Sel 'File' from menu bar *
 - * Sel 'Update' *
 - * Sel 'State Vector' *
 - * Go to step 8 *

Cont next page

7. Sel 'Exit' to close dialog box

8. At bottom of 'Update Orbiter State Vector' dialog box, verify 'PCMMU Feed' checked (√) on
√'Receiving vector PCMMU data' displayed
Sel 'Exit'

9. If PGSC not configured to receive WinDecom data:
At 'Update Time Values' dialog box, verify current GMT displayed
Update GMT, if reqd
√'Auto Synch PGSC with PCMMU' not checked (no √)
Sel 'Apply'
Sel 'Exit'

PGSC

GNC 34 ORBIT TGT

At 'Update Orbiter State Vector' dialog box, update state vector info using data from SPEC 34 display
√'PCMMU Feed' not checked (no √)
Sel 'Apply'
Sel 'Exit'

COLOR PRINTER UNSTOW AND ASSEMBLE

NOTE

Power off Printer when not in use

1. UNSTOW

Printer

AC PWR Cable (if reqd)

Printer Data Cable (one of the following):

6-ft parallel data cable

25-ft parallel data cable

25-ft network data cable and T-connector

Printer paper

Printer Paper Feeder Tray

Paper Output Tray

2. ASSEMBLE PRINTER

Printer

Align arrows on Paper Feeder Tray and back of Printer

Insert white tabs on Paper Feeder Tray (near arrows) into black outlined slots on Printer (see fig 12-1)

Slide tray downward

Attach Paper Feeder Tray to Printer (secure via thumbscrews)

Attach Paper Output Tray to Printer (secure via thumbscrews)

3. See UTILITY OUTLET PLUG-IN PLAN, ON-ORBIT

CONFIG (REF DATA FS, UTIL PWR) or PGSC

Usage Chart (if available) for appropriate AC Util

Pwr outlet/sw to use

4. ✓ AC UTIL PWR – OFF

Printer

✓ AC PWR cable connected to AC Util Pwr panel

Connect AC PWR cable to Printer Power Port

(see fig 12-2)

NOTE

Network must always be properly terminated when connected to powered PGSCs

Cont next page

If Printer to be set up as Network Printer:

Connect network cable, T-connector to Printer Network Port (see fig 12-2)

Connect other end of network cable to T-connector of networked PGSC

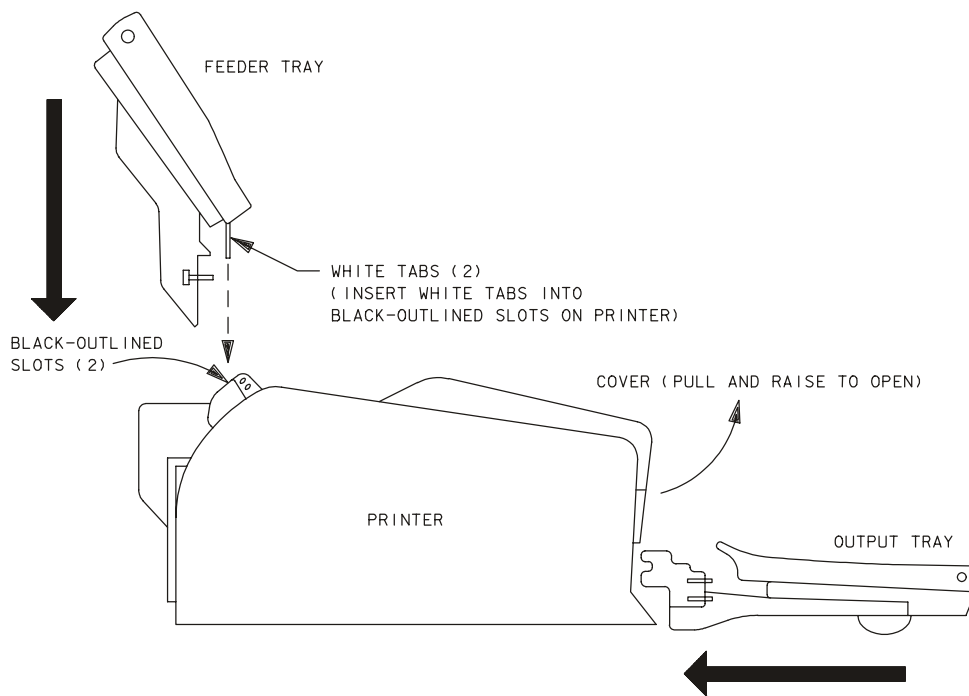
If Printer to be set up as Local Printer:

Connect parallel cable between Printer Parallel Port and ProShare PGSC Parallel Port (see fig 12-2)

Insert 8.5 x 11" paper into Paper Feeder Tray (~50 sheets)

Attach Printer to wall of desired area (example: AFD or Airlock ditch) using Velcro

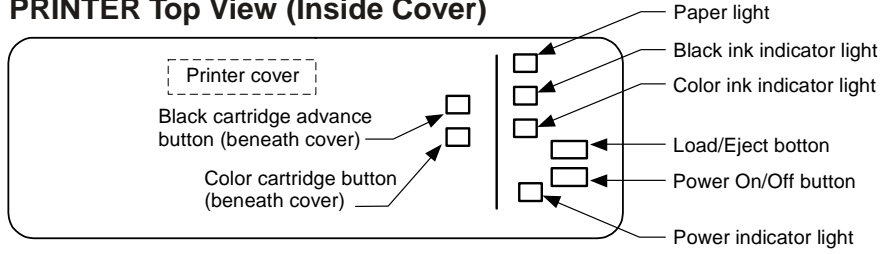
If OCA Router not configured, perform OCA SETUP, 12-11



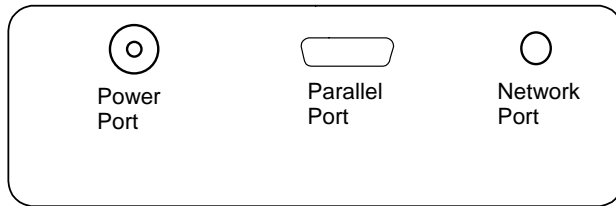
480351245_114.PNL, 1

Figure 12-1.- Side view of printer and trays, ready for assembly.

PRINTER Top View (Inside Cover)



PRINTER Back View



PGSC with Expansion Unit

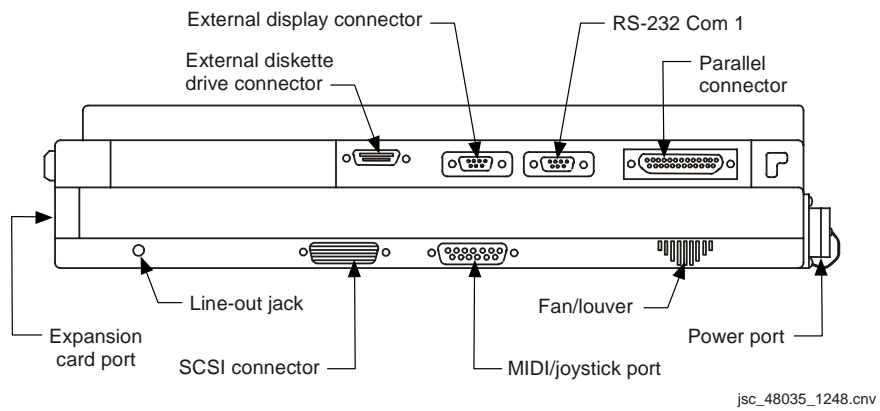


Figure 12-2.- Printer (top view/back view), PGSC (parallel port).

COLOR PRINTER WARMUP AND SELF-TEST

WARMUP

1. See UTILITY OUTLET PLUG-IN PLAN, ON-ORBIT CONFIG (REF DATA FS, UTIL PWR) or PGSC Usage Chart (if available) for appropriate AC Util Pwr outlet/sw to use
2. AC UTIL PWR – ON
- PGSC 3. ✓OCA Router PGSC pwr – on
✓ProShare PGSC pwr – on
- Printer 4. Printer pwr – on (see fig 12-2)
✓Flashing green pwr light (~5 min)
5. ✓Printer ready
Ready when pwr light is steady green

SELF-TEST

NOTE

After successful test print, terminate SELF-TEST by powering printer OFF

- Printer 1. Printer pwr – off
2. Press and hold Load/Eject button, then press pwr button
Hold Load/Eject button for 3 sec after depressing pwr button, then release
3. Observe printing of one black text page and one color text page
4. ✓Print quality
Look for missing sections in Nozzle Check section
5. If print quality not acceptable, go to CLEANING PRINTER HEADS, 12-52
6. If paper jam, go to COLOR PRINTER PAPER JAM, 12-49
7. If printer quality acceptable, Printer pwr – off (to terminate SELF-TEST)
8. Notify MCC: Status of SELF-TEST results

COLOR PRINTER STOW

- Printer
1. Printer pwr – off (press pwr button once)
√Printer It – off
Wait for unit to stop moving. Printer head should be at right side and locked into place
 2. See UTILITY OUTLET PLUG-IN PLAN, ON-ORBIT CONFIG (REF DATA FS, UTIL PWR) or PGSC Usage Chart (if available) for appropriate AC Util Pwr outlet/sw to use

AC UTIL PWR – OFF
 3. Disconnect AC PWR cable from AC Util Pwr outlet, if reqd
 4. Remove paper from Paper Feeder Tray and stow it
- Printer
5. Remove Paper Feeder Tray from Printer (disconnect via thumbscrews)
 6. Remove Paper Output Tray from Printer (disconnect via thumbscrews)
 7. Disconnect AC PWR cable from Printer
 8. If Printer set up as Network Printer:
| Disconnect network cable, T-connector from
| Printer Network Port (see fig 12-2)
If Printer set up as Local Printer:
Disconnect parallel cable between Printer
Parallel Port and ProShare PGSC Parallel Port
(see fig 12-2)
 9. Stow:
Printer
AC PWR cable (if reqd)
Printer Data cable(s)
Printer paper
Printer Paper Feeder Tray
Paper Output Tray

CHECK COLOR PRINTER SETTINGS

NOTE

Perform following procedure to verify Printer settings on PGSC from which printing executed (i.e., settings are not on Printer)

- PGSC
1. Sel 'Start' from Windows taskbar
 2. Sel 'Settings'
 3. Sel 'Printers'
 4. Right-click appropriate printer icon:
Parallel: Local Color Printer
Network: Network Color Printer
 5. Verify 'Set as default' selected (√)
 6. Sel 'Properties'
 7. Sel 'Main' tab
 8. Verify 'Automatic' selected (●)
 9. Sel 'OK' to exit

COLOR PRINTER PAPER JAM

- Printer
1. Printer pwr – off (press pwr button once)
 2. √Printer It – off
 3. √Paper Feeder Tray clear of obstruction
√Paper Output Tray clear of obstruction
 4. Raise Printer cover (see fig 12-1)
√Inside of Printer clear from obstruction
 5. If paper jam cleared, perform COLOR PRINTER WARMUP AND SELF-TEST, 12-47, then:
 6. If paper jam continues, notify MCC
 7. If reqd, go to COLOR PRINTER STOW, 12-48

INK CARTRIDGE CHANGEOUT

NOTE

Perform if color(black) ink cartridge light illuminated. Changeout of color and black cartridges takes ~5 min.

If color(black) ink cartridge light flashing, ink is low.

If color(black) ink cartridge light solid, ink is out

- Printer
1. ✓Printer ready (notice steady green pwr light)
 2. Raise Printer cover (see fig 12-1)

NOTE

Printer will reset if step 4 not performed within 1 min after step 3. If reset experienced, repeat step 3

3. Press and hold "color(black) ink cartridge advance button" (~3 sec) and release. Color(black) ink cartridge will move and become accessible

CAUTION

Do NOT squeeze ink cartridges

4. Lift tab on purple cover
Remove color(black) ink cartridge
5. Cover opening on used cartridge with Gray Tape
Stow old cartridge in Ziplock Bag
Place Ziplock Bag in Printer Locker
6. Unstow new cartridge from sealed pack
Remove small yellow plastic tab on top (Do not remove white tab; reference instructions on cartridge)

Cont next page

- Printer
7. Insert new cartridge (arrow should be pointing toward back of Printer)
 8. Lower and latch tab on purple cover
(Do not reopen)
If also changing other cartridge, go to step 3
 9. Lower and close Printer cover
 10. Press Load/Eject button; Printer will perform a cleaning that will last ~3 min
 11. Go to COLOR PRINTER WARMUP AND SELF-TEST, SELF-TEST, 12-47, to ensure proper operation

CLEANING PRINTER HEADS (Black and/or Color)

NOTE

Printer must be on, not printing, and appropriate ink cartridge light must not illuminate red

- Printer
1. ✓Printer pwr – on
 2. ✓Ink cartridge lt – OFF
If ink cartridge lt flashing or solid, go to INK CARTRIDGE CHANGEOUT, 12-50

NOTE

Perform following steps from PGSC connected to Printer via parallel cable or networked to Printer

- PGSC
3. Sel 'Start' from Windows taskbar
 4. Sel 'Settings'
 5. Sel 'Printers'
 6. Right-click appropriate printer icon:
Parallel: Local Color Printer
Network: Network Color Printer
 7. Verify 'Set as default' selected (✓)
 8. Sel 'Properties'
 9. Sel 'Utility' tab
 10. Sel 'Head Cleaning'
Sel 'Next'
 11. Sel 'Black', 'Color', or 'Both'
Sel 'Next'
 12. When cleaning complete (~5 min), sel 'Nozzle Check'
If test still missing sections, repeat steps 10 and 11
 13. If nozzle test nominal, click 'OK' to exit

PRINTER HEAD ALIGNMENT

NOTE

Printer must be on, not printing, and appropriate ink cartridge light must not illuminate red

- Printer
1. ✓Printer pwr – on
 2. ✓Ink cartridge lt – off
If ink cartridge lt flashing or solid, go to INK CARTRIDGE CHANGEOUT, 12-50
 3. Verify Paper Feeder Tray has at least ten sheets of paper

NOTE

Perform following steps from PGSC connected to Printer via parallel cable or networked to Printer

- PGSC
4. Sel 'Start' from Windows taskbar
Sel 'Settings'
Sel 'Printers'
 5. Right-click appropriate printer icon:
Parallel: Local Color Printer
Network: Network Color Printer
 6. Verify 'Set as default' selected (✓)
Sel 'Properties'
 7. Sel 'Utility' tab
Sel 'Print Head Alignment' button
At 'Printer Head Alignment' dialog box, sel 'Next' button
 8. At second 'Printer Head Alignment' dialog box, sel 'Next' button
 9. Examine printed sheet "A"
If alignment satisfactory, sel 'Cancel' twice to exit
If alignment not satisfactory, follow directions on screen
 10. When alignment complete (~5 min), sel 'OK' to exit

┌ | | | ┌

EXECUTE PACKAGE PRINTING

NOTE

Perform following procedure(s) if instructed by MCC. Perform from PGSC connected to Printer via parallel cable or networked to Printer

DOCUMENTS

PGSC Double-click 'Shuttle Apps'>'Color Printer'>'DOCS Printing'

PICTURES

Double-click 'Shuttle Apps'>'Color Printer'>'PICS Printing'

PILOT WITH RHC

NOTE

It is assumed PGSC (with STS load)
set up without Expansion Unit

A. EQUIPMENT SETUP

1. Unstow:
 - PILOT HC
 - PILOT Y-Cable
 - Elastic Strap (1)
 - Tie-wraps (2)

- Towel Rack/
Handhold
2. Secure elastic strap to Towel Rack and Window Handhold (right or left, to match seat used) with tie-wraps

CAUTION

Once secure, pushing buckle will allow it to release, freeing RHC. When pushing buckle lever to release, keep thumb clear from underneath (pinch hazard)

- PILOT HC
3. Extend (pull) PILOT HC straps and position HC on aft portion of orbiter RHC pedestal. Secure lower strap over pedestal, pull strap taut and pull out firmly on buckle; repeat with upper strap
- PGSC
4. Shut down Windows
- PWR SPLY
5. DC PWR SPLY PWR sw1 – off
- F1
6. DC UTIL PWR – OFF (utility outlet for PGSC)
- PGSC
7. If present, disconnect any cable from PGSC RS-232 port and secure
 8. Disconnect DC PWR SPLY cable from PGSC pwr port
- PILOT HC
9. PILOT HC pwr – OFF (down posn)

Cont next page

- PILOT Y-Cable
10. Connect PILOT Y-Cable to PGSC RS-232 port
Connect PILOT Y-Cable to PGSC pwr port
Connect PILOT Y-Cable to PILOT HC (see PILOT WITH RHC SETUP DIAGRAM, 12-61)
 11. Connect DC PWR SPLY cable to PILOT HC

NOTE

Adjust elastic strap to not press screen suspend sw (small vertical button by left hinge) or else screen will blank

- PGSC
12. Position and secure PGSC in front of HUD and behind elastic strap (top of display touching bottom of eyebrow panel). Duct tape can be used as needed to secure PGSC
- F1
13. DC UTIL PWR – ON (utility outlet for PGSC)
- PWR SPLY
14. DC PWR SPLY PWR sw1 – ON

B. PILOT OPERATION WITH RHC

- PGSC
1. PGSC pwr – on
- PILOT HC
2. PILOT HC pwr – ON (up position)
- PGSC
3. Double-click 'Shuttle Apps' > 'PILOT w/RHC'
Agree to quit all Windows Apps
 4. Follow instructions for HC calibration
(after ~30 sec)
 5. Menu Selection Values:
Modify as desired
'Enter' twice to run sim

Cont next page

6. Simulation Begins (~15 sec)
 - 'z' – toggles between instruments and out-the-window displays
 - [space bar] – HUD declutter or if WOW, drag chute deploy
 - 'a' – switch to auto
 - 'c' – switch to CSS (same as HC breakout)
 - 'p' – pause sim, 'p' again resumes
7. Post Simulation
 - [space bar] – cycles through data to main menu
 - 'b' – cycles back through post run data
8. Terminate PILOT
 - Enter 'q' to quit (returns to Windows)

PILOT HC 9. PILOT HC pwr – OFF (down posn)

NOTE

PGSC will function with HC off. If cable config changed, all pwr must be off

C. PILOT DISCONNECT and STOWAGE

- | | |
|------------------|-----------------------------------------------------------------------------------------|
| PILOT HC | 1. Confirm PILOT HC pwr – OFF (down posn) |
| PGSC | 2. Shut down Windows |
| PWR SPLY | 3. DC PWR SPLY PWR sw1 – OFF |
| F1 | 4. DC UTIL PWR – OFF (utility outlet for PGSC) |
| PILOT
Y-Cable | 5. Disconnect cables from PGSC and HC
(remove PGSC from behind elastic if necessary) |

CAUTION

When pushing buckle lever to release,
keep thumb clear from underneath
(pinch hazard)

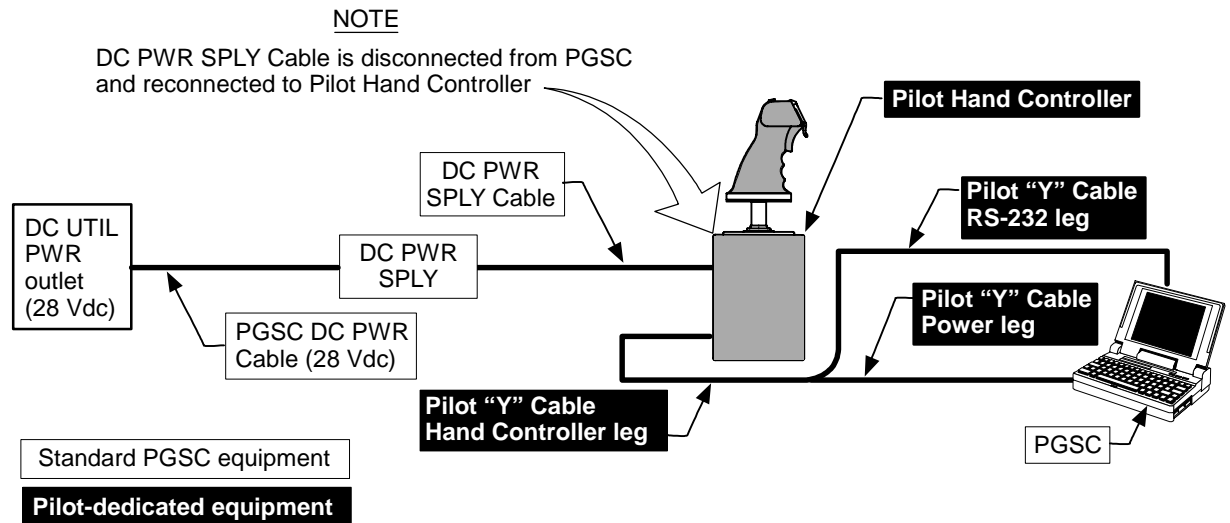
Cont next page

- PILOT HC
 - 6. Unsecure HC, press buckle on top strap, loosen strap, repeat for bottom strap
 - 7. Stow PILOT HC and Y-Cable in original locker
 - 8. Cut loose tie-wraps and elastic strap from window and secure after final on-orbit PILOT session
- PGSC
 - 9. Reconfigure PGSC as desired

D. TROUBLESHOOTING

- 1. If HC appears to have bias, calibrate HC at main menu – enter 'c', follow onscreen instructions
- 2. If DOS prompt appears (sometimes after bad sim crash), enter 'win' to restart Windows
- 3. If program hangs:
 - Enter [CTRL]/[C] to get to DOS prompt, once at prompt, restart Windows (step 2), restart PILOT normally
 - If [CTRL]/[C] does not work, force Windows restart with [CTRL]/[ALT]/[DELETE] simo

PILOT WITH RHC SETUP DIAGRAM



12-60

ORB OPS/ALL/GEN K

PILOT WITHOUT RHC

NOTE

No PILOT equipment reqd,
only PGSC with STS load

- PGSC A. PILOT OPERATION WITHOUT RHC
1. Double-click 'Shuttle Apps' > 'PILOT w/out RHC'
Agree to quit all Windows Apps

2. Menu Selection Values:

NOTE

Sim must be in 'auto' to keep from crashing:
Sel 'Auto' at startup (item 7)
Otherwise, modify as desired
'Enter' twice to run simulation

3. Simulation Begins (~15 sec)
 - 'z' – toggles between instruments and out-the-window displays
 - [space bar] – HUD declutter or if WOW, drag chute deploy
 - 'p' – pause sim, 'p' again resumes
4. Post Simulation
 - [space bar] – cycles thru data to main menu
 - 'b' – cycles back thru post run data
5. Terminate PILOT
Enter 'q' to quit (returns to Windows)

- B. TROUBLESHOOTING
1. If DOS prompt appears (sometimes after bad sim crash), enter 'win' to restart Windows

Cont next page

2. If program hangs:

Enter [CTRL]/[C] to get to DOS prompt, once at prompt, restart Windows (step 1), restart PILOT normally

If [CTRL]/[C] does not work, force Windows restart with [CTRL]/[ALT]/[DELETE] simo

UPDATING SpOC APPLICATIONS USING OCA DATA DISKETTE (ODD)

NOTE

Procedure assumes KFX application run from ProShare PGSC during OCA ops. Crew not reqd to perform following procedure for PGSC(s) networked to OCA Router PGSC during OCA ops.

MCC ground personnel automatically update SpOC applications on PGSC(s) on STS network during OCA ops

- PGSC
1. If OCA Data Diskette (ODD) was not in ProShare PGSC floppy drive during OCA ops:
Retrieve ODD from FDF
Insert ODD into ProShare PGSC floppy drive
Copy all files under C:\OCA-UP\SPOC\UPLINK to A:\UPLINK
 2. Insert ODD into PGSC requiring updates to SpOC applications
 3. Double-click 'Shuttle Apps'>'Floppy Update'
 4. At 'Floppy Update' dialog box, sel 'OK'
 5. At 'Floppy Update Status' dialog box, verify no errors generated
If errors generated, contact MCC >>
 6. If asked to view complete update status:
Sel 'Yes' or 'No'
Go to step 7

Sel 'OK'
 7. Remove ODD, repeat steps 2 thru 6 for other PGSCs as needed
 8. Reinsert ODD into ProShare PGSC floppy drive

PGSC HARD DISK SWAP

- PGSC
1. If running Windows NT (OCA Router software) on OCA Router PGSC:
Press [CNTL]/[ALT]/[DEL]
Sel 'Shut Down' at 'Logon Information' dialog box
Sel 'OK'
When prompted:
PGSC pwr – off
Go to step 3
 2. Shut down Windows
√Automatic pwr off of PGSC
 3. Open PGSC monitor to 180°
Slide two side latches back and hold latches in back posn
Open Keyboard
- CAUTION**
Some components under Keyboard
contain sharp edges
4. Remove hard disk (right component):
Pull plastic tape to expose hard disk drive handle
Slide thumbs under handle
Lift to remove
 5. Insert new hard disk:
Press only on shaded area until it snaps into connector
Push hard disk drive handle under lip
Stow old hard disk drive in carrying case
 6. Close keyboard
 7. PGSC pwr – on
 8. If PGSC intended for use on STS network,
go to PGSC NETWORK, D. PGSC NAMING,
12-32

PGSC SWAP ON EXPANSION UNIT

- PGSC1
1. Shut down Windows
√Automatic pwr off of PGSC
 2. Close PGSC monitor
 3. Firmly turn security key to 'eject' position until PGSC slides away from Expansion Unit
 4. Remove, stow PGSC
- PGSC2
5. √Sliding door of PGSC Sys Expansion connector – op
 6. Slide PGSC onto Expansion Unit
 7. Push PGSC back, connecting PGSC Sys Expansion connector to Expansion Unit connector
 8. √Connection secure
 9. Security key – locked
 10. PGSC pwr – on

PGSC DEACT

- PGSC
1. ✓ Floppy disk drive – empty
Stow floppy disk(s) in originating locker
 2. If running Windows NT (OCA Router software) on
OCA Router PGSC:
Press [CNTL]/[ALT]/[DEL]
Sel 'Shut Down' at 'Logon Information'
dialog box
Sel 'OK'
When prompted:
PGSC pwr – off
Go to step 6
 3. Close any running applications
Shut down Windows

✓ Automatic pwr off of PGSC

If no Expansion Unit attached:

- PWR SPLY
F1
4. DC PWR SPLY PWR sw1 – OFF (lt off)
 5. UTIL PWR – OFF

(MO13Q,
A11,A15,
MO30F,
O19,L12,
MO52J,
ML85E)

If Expansion Unit attached:

- F1
6. AC UTIL PWR – OFF

(MO13Q,
A15,
MO52J,
ML85E)

7. Disconnect cables
8. Stow PGSC assembly, PGSC accessories

WINDOWS KEYBOARD REF

NOTE

Simo key combinations linked by slash marks.
Sequential key combinations linked by commas

WINDOWS DESKTOP

Shut down Windows	[CTRL]/[ESC], [↑], [ENTER]
Sel and open desktop icon	[CTRL]/[ESC], [ESC], [TAB], [TAB], [Arrow keys], [ENTER]
Program item icons contained in folder:	
Sel program item icon	[Arrow keys]
Start program	Sel program item, [ENTER]

WINDOWS EXPLORER

Sel previous/next directory or subdirectory	[↑] or [↓]
Page forward/backward	[PG DN] or [PG UP]
Sel root directory	[HOME]
Sel last directory	[END]
Expand current selection (if in left pane and not expanded)	[→]
Collapse current selection (if in left pane and expanded)	[←]
Toggle between panes	[TAB] or [F6]
Refresh screen	[F5]

Cont next page

FILE MANIPULATION IN WINDOWS EXPLORER

Sel adjacent files	[SHIFT]/[Up or down arrow keys]
Sel nonadjacent files	[CTRL]/[Up or down arrow keys to move to desired file], [spacebar], repeat as needed
Sel all items	[CTRL]/[A]
Move sel files or dir	[CTRL]/[X], sel drive/dir to move files/dir to, [CTRL]/[V]
Copy sel files or dir	[CTRL]/[C], sel drive/dir to copy files/dir to, [CTRL]/[V]

OPERATING PROGRAMS IN WINDOWS: STARTING, QUITTING, AND SWITCHING BETWEEN PROGRAMS

Start Windows or DOS program	Sel icon on Windows desktop, [ENTER]
Cycle between open applications	[ALT]/[TAB] or [ALT]/[ESC] (sel applications in forward direction) or [SHIFT]/[ALT]/[ESC] (sel applications in reverse direction)
Display Task List Dialog Box	[CTRL]/[ALT]/[DELETE]
Cycle between selections in Dialog Box	[TAB] (forward dir) or [SHIFT]/[TAB] (reverse dir)
Cancel menu currently displayed	[ESC]
Quit active application	[ALT]/[F4] or [ALT], [spacebar], [C] or [ALT], [F], [X]

Cont next page

┌ | | | ┌

SIZING, CLOSING, AND MOVING WINDOWS

NOTE

Maximized window cannot be resized;
use Restore to config window for resizing

Restore window from maximized config [ALT], [spacebar], [R]

Resize active program window [ALT], [spacebar], [S], [press arrow keys to adjust window size], [ENTER]

NOTE

Document window is working area window
inside applications main window

Resize document window [ALT], [S], [press arrow keys to adjust window size], [ENTER]

Close window [ALT], [spacebar], [C]

Close document window [ALT], [C]

Move window [ALT], [spacebar], [M], [use arrow keys to move window to desired location], [ENTER]

Move document window [ALT], [M], [use arrow keys to move window to desired location], [ENTER]

Minimize program or document window to icon [ALT], [spacebar], [N]

Maximize program or document window to full screen [ALT], [spacebar], [X]

Cont next page

PROGRAM CURRENTLY RUNNING

Sel menu and perform task [ALT], [underlined menu letter],
[underlined task letter]

Move between areas (lists, buttons, etc) in Dialog Box [TAB] or [SHIFT]/[TAB] or
[ALT]/[underlined letter]

Sel pulldown list within Dialog Box [ALT]/[underlined letter]

Cancel pulldown list [ESC]

Cancel menu sel [ESC]

CLIPBOARD FUNCTIONS

Copy displayed image to Clipboard [CTRL]/[C]

Cut image to Clipboard [CTRL]/[X]

Paste object from Clipboard to document, spreadsheet, etc [CTRL]/[V]

GETTING HELP

Get Help [F1] or [ALT], [H]

WORLD MAP KEYBOARD REF

NOTE

Simo key combinations linked by slash marks.
Sequential key combinations linked by commas

Help Index	[F1]
Zoom in	[CTRL]/[I] or [+] or [PG UP]
Zoom out	[CTRL]/[O] or [-] or [PG DN]
Toggle click and drag zoom on/off	[CTRL]/[F12]
Zoom on point clicked	Right click, sel zoom option
Toggle night colors on/off	[CTRL]/[N]
Restore nadir zoom from point zoom	[ESC]
Identify point on map	Left double-click
Toggle previous/next longitude of ascending node (LAN)	[CTRL]/[L]
Exit application	[ALT]/[F4]

PGSC STATE VECTOR UPDATE WITHOUT PCMMU DATA I

L/O
 YEAR DAY HOUR MIN SEC

NOTE

If no PCMMU feed available to PGSCs, current orbiter state vector can be obtained via GPC displays in OPS 2 or OPS 3.

Press 'SPEC' on keypad to freeze data. Press 'CLEAR' to resume display changes

SET STATE VECTOR

S/V / : :
 DAY HR MIN SEC

1. If OPS 2:
 SPEC 34

X()

2. If OPS 3:

Y()

GNC 0 GPC MEMORY
 ITEM 26 +2 1 0 EXEC

Z()

X	BC56	VX	BC62
Y	BC5A	VY	BC66
Z	BC5E	VZ	BC6A

VX()

VY()

VZ()

NOTE

Default for PGSC SpOC applications is set to accept state vector data in ft (position) and ft/sec (velocity). When entering GPC display data into SpOC application, ensure SpOC application is configured to accept default units of ft and ft/sec

S/V / : :
 DAY HR MIN SEC

S/V / : :
 DAY HR MIN SEC

X()

X()

Y()

Y()

Z()

Z()

VX()

VX()

VY()

VY()

VZ()

VZ()

RELOAD STS PGSC

- PGSC
1. PGSC pwr – on (while holding [F1] key down)
 2. Sel 'Config' at Easy-Setup main menu
 3. Sel 'Initialize'
 4. Sel 'OK' to initialize system settings
 5. Sel 'Exit'
 6. Insert bootable PGSC Reload Diskette into floppy drive
 7. Sel 'Restart' at Easy-Setup main menu
 8. Sel 'OK'
 9. When prompted, sel 'Y' to overwrite hard drive
 10. Insert PGSC Reload CD when prompted
 11. When CD-ROM light stops blinking, press any key to continue (software recovery program now loading)
 12. After hard drive updated, remove PGSC Reload Diskette and remove CD
 13. Press 'Ctrl-Alt-Del' to reboot PGSC
 14. If PGSC intended for use on STS network:
Go to PGSC NETWORK, D. PGSC NAMING, 12-32

RECONFIGURE OCA/KFX FOR KU CHANNEL 3(2)

NOTE

MCC will configure ground for OCA via Ku channel 3(2)

- PDIP Ku BAND RATE – HI(LO)
- OCA Router On "Local OCA Card-1" window:
 If changing to Ku Ch 3:
 Sel 'Control'>'Transmit Rate'>'4 Mbps OCA
 Internal clock (Shuttle Ku channel 3)'
 If changing to Ku Ch 2:
 Sel 'Control'>'Transmit Rate'>'2 Mbps OCA
 Internal clock (Shuttle Ku channel 2)'
- KFX PGSC On "KFX" window:
(typically Sel 'View'>'Options'
Proshare Sel 'Network' tab
PGSC) Change 'Maximum Xmit rate' to 4000(2000)
 Click 'OK'
 Click 'Yes' in response to "Restart KFX ?" dialog

UMBILICAL WELL TPS CAMERA IMAGERY DOWNLOADING

1. ✓MCC that camera is powered and ready

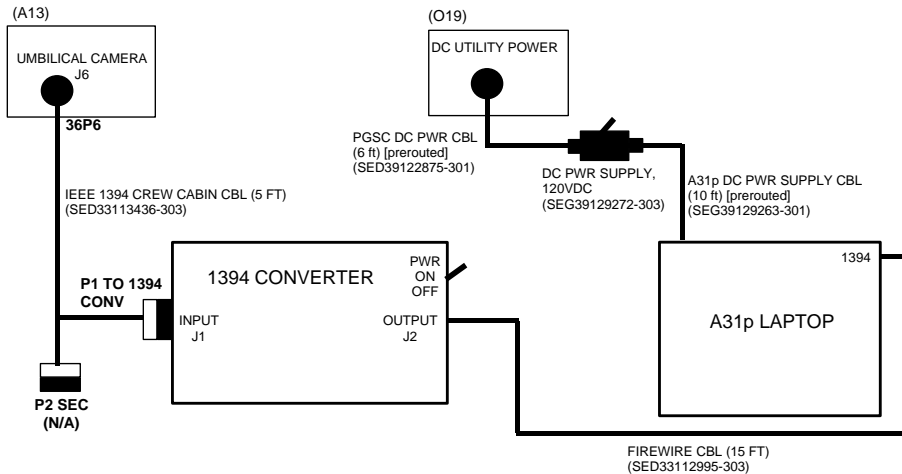
2. Unstow:

A16	1394 Converter (SED33113440-301)
(DTV bag)	IEEE 1394 Crew Cabin cable (SED33113436-303)
	Firewire cable (SED33112995-303)
TBD	A31p laptop (SEG33115360-301(2)) (as reqd)
	DC pwr supply, 120VDC (SEG39129272-303)
	(as reqd)
	PGSC network h/w: Ethernet card/adaptor assy,
	terminator (as reqd)

If PGSC not already configured for power:

PWR SPLY	3. ✓DC PWR SPLY PWR sw1 – OFF
O19	4. ✓DC UTIL PWR MNC – OFF

5. Configure hardware per dwg below:



Cont next page

12-74

ORB OPS/ALL/GEN K

- If PGSC not already configured for power:
- O19 | 6. DC UTIL PWR MNC – ON
- PWR SPLY | 7. DC PWR SPLY PWR sw1 – ON (It-on)
- CONV | 8. PWR sw – ON (It-on)
If no It,
Replace batts (batt life – 4 hrs)
- If PGSC not already networked:
- PGSC | 9. Configure PCMCIA Ethernet card, T-connector,
Ethernet cable, terminator (if reqd) to add
PGSC to network
10. Insert Ethernet card into PCMCIA card slot of
PGSC
11. PGSC pwr – on
12. ✓'PCMCIA card' icon appears in system tray of
PGSC
13. Double-click 'Shuttle Apps'>'KODAK DCS Camera
Manager' ("KODAK Professional DCS Camera
Manager" box displayed)
14. ✓'Camera Folders' tab selected
15. ✓'FOLDER01' selected (red), note image qty shown in
"()"
16. Under 'Copy to Computer':
✓No boxes selected (**DO NOT** delete files)
Sel 'Copy...'
17. Under 'Copy To':
Sel 'C:\oca-down\dcs\umbilical' in 'Save in:' text
box
✓'As Is' selected in 'Format:' text box
✓No '✓' for 'Rename Image File(s)'
Sel 'Save Files in "umbilical"
("Saving Files" box displayed)

18. When "Saving Files" completed, go to "My Computer:
C:\oca-down\dc\umbilical", √ object qty matches
"CARD1\FOLDER01" qty
If not, √MCC

19. Sel 'X(Close)' to return to desktop

CONV 20. PWR sw – OFF (lt-off)

21. Stow Converter box,cables

NOTE

MCC will downlink images as soon as practical

COMPOUND SPECIFIC ANALYZER – COMBUSTION
PRODUCTS (CSA-CP)

COMPOUND SPECIFIC ANALYZER –
COMBUSTION PRODUCTS CHECKOUT AND
ZERO CALIBRATION OPS..... 13-2
PASSIVE SAMPLING WITH DATA LOGGING..... 13-5
ACTIVE SAMPLING WITH PUMP AND DATA
LOGGING 13-7
CSA-CP BATTERY CHANGEOUT 13-9
SAMPLING PUMP BATTERY CHANGEOUT..... 13-11
ZERO CALIBRATION 13-12
DATA LOGGER ACTIVATION/DEACTIVATION 13-14
ALARM DISABLE/ENABLE 13-15
DATA RECORDING TABLE 13-16

CSA-CP

COMPOUND SPECIFIC ANALYZER – COMBUSTION PRODUCTS CHECKOUT AND ZERO CALIBRATION OPS

NOTE

Function of Zero Calibration Filter is to remove all target gases (if present) in air stream so sensors can be rezeroed. Capacity to remove target gases severely reduced if tethered filter caps not immediately replaced and tightened after use

- 1. Unstow:
CSA-CP Kit
- CSA-CP Kit 2. Unstow:
CSA-CP/Sampling Pump
Zero Filter
- 3. Sampling Pump sw – ON

NOTE

MODE pb (black) located between two red alarm lights.

Audible beeps occur when MODE pb depressed during unit activation

- 4. Activate CSA-CP
Press,hold MODE pb until 'RELEASE' displayed

NOTE

Wait ~1 min while unit runs self-check routine. A single beep occurs when self-check routine complete

- 5. √Display indicates readings for O₂, HCN, HCL, CO and record values in DATA RECORDING TABLE, 13-16

CSA-CP

Cont next page

6. Sampling Pump sw – OFF
7. If any reading higher than listed values below, proceed to step 8 for sensor rezeroing:
 - CO ≤ 4 ppm
 - HCL ≤ 0.4 ppm
 - HCN ≤ 0.4 ppmIf readings less than or equal to listed values, go to step 22
8. Unscrew, remove Sampling Pump Inlet (blue) Filter; temp stow
9. Unscrew tethered end caps on Zero Filter

NOTE

Pump inlet fitting has outside
and inside threads

10. Screw end of Zero Filter cw into Sampling Pump inlet fitting until snug (arrow on Zero Filter should point toward Sampling Pump)
11. Sampling Pump sw – ON
12. After 2 min, press MODE pb (11 times) until 'GO CAL' displayed at top
13. Press "E" button
 - √'SET SPAN' displayed at top
 - If "E" button not pressed before 10 sec elapsed, screen will revert back to nominal screen
 - Repeat step 12
14. Press "+" button
 - √'ZERO' displayed at top
15. Press "E" button, verify 'ZEROING' displayed
 - Wait 15 sec
 - √'ZERO' displayed at top

Cont next page

16. Press MODE pb once
After 15 sec, verify nominal display
(gas concentrations)
17. ✓ Display readings for CO, HCN, HCL less than
or equal to values below
If readings higher than values below, notify MCC:
CO ≤ 4 ppm
HCL ≤ 0.4 ppm
HCN ≤ 0.4 ppm
18. Sampling Pump sw – OFF
19. Remove Zero Filter from Sampling Pump inlet
Replace tethered endcaps and tighten finger tight
- CSA-CP Kit 20. Stow Zero Filter

NOTE

Damage to O-ring can occur if overtightened

21. Replace Sampling Pump Inlet Filter and tighten
until snug

NOTE

CSA-CP can be used in active sampling
mode using pump or in passive mode
without pump. Use of pump provides faster
response times for some contaminants.

Audible beeps occur when MODE pb
depressed during unit activation

22. Deactivate CSA-CP
Press, hold 'MODE' pb until 'RELEASE' displayed
23. Temp stow:
CSA-CP/Sampling Pump at crew-selected
location. Call MCC with location
24. Stow CSA-CP Kit

PASSIVE SAMPLING WITH DATA LOGGING

1. Unstow from temp:
CSA-CP/Sampling Pump
2. Demate CSA-CP from Sampling Pump
3. Temp stow:
Sampling Pump

NOTE

Audible beeps occur when MODE pb depressed during unit activation

4. Press, hold MODE pb until 'RELEASE' displayed

NOTE

Wait ~1 min while unit runs self-check routine. A single beep occurs when self-check routine complete

5. √Display indicates readings for O₂, CO, HCN, HCL

NOTE

When activated, there is an audible beep, fault LED illuminates momentarily, and pwr LED stays illuminated

6. Transfer CSA-CP to desired location

NOTE

After activating/deactivating logger, nominal display (gas concentrations) returns in ~10 sec

7. Press MODE pb (9 times) until 'LOG OFF' or 'LOG ON' displayed
If reqd, press "+" button to reset data logger to 'LOG ON' displayed
√'LOG ON' displayed
Notify MCC to discuss sampling plan

Cont next page

8. Conduct sampling session
9. Record value
Notify MCC of results
10. Press, hold MODE pb until 'RELEASE' displayed
√Unit off
11. Unstow from temp:
Sampling Pump

NOTE

CSA-CP should be oriented with display
visible when facing front panel of
sampling pump

12. Mate CSA-CP to Sampling Pump. Slide CSA-CP
into sampling pump bracket as far forward
(toward inlet) as possible. Tighten Velcro straps
13. Temp stow:
CSA-CP/Sampling Pump

ACTIVE SAMPLING WITH PUMP AND DATA LOGGING

1. Unstow from temp:
CSA-CP/Sampling Pump

NOTE

Audible beeps occur when MODE pb depressed during unit activation

2. Press, hold MODE pb until 'RELEASE' displayed

NOTE

Wait ~1 min while unit runs self-check routine. A single beep occurs when self-check routine complete

3. ✓ Display indicates readings for O₂, CO, HCN, HCL

NOTE

When activated, there is an audible beep, fault LED illuminates momentarily, and pwr LED stays illuminated

4. Sampling Pump sw – ON
5. Transfer active sampling assembly to desired location

NOTE

After activating/deactivating logger, nominal display (gas concentrations) returns in ~10 sec

6. Press MODE pb (9 times) until 'LOG OFF' or 'LOG ON' displayed
If reqd, press "+" button to reset data logger to 'LOG ON'
✓ 'LOG ON' displayed
Notify MCC to discuss sampling plan

Cont next page

7. Conduct active sampling session
Record values
Notify MCC of results
8. At end of active sampling, press, hold MODE pb
until 'RELEASE' displayed
√Unit off
9. Sampling Pump sw – OFF
10. Temp stow:
CSA-CP/Sampling Pump

CSA-CP BATTERY CHANGEOUT

1. If CSA-CP/Sampling Pump active:
 - Sampling Pump sw – OFF
 - Press, hold MODE pb until 'RELEASE' displayed
 - √CSA-CP off
 - If not active, go to step 2
2. Demate CSA-CP from Sampling Pump
- CSA-CP Kit 3. Unstow:
 - Batt Pack, marker
4. Replace battery, turn fasteners (two) on back panel 1/4 turn ccw; temp stow panel

NOTE

Stored data maintained for max of 30 min without battery installed. All data lost if battery installation delayed more than 30 min

5. Grasp Batt Pack pull tab, remove pack
6. Mark Batt Pack "DISCHARGED" with marker
- CSA-CP Kit 7. Stow:
 - Used Batt Pack
8. Install replacement Batt Pack, press firmly to seat electrodes
9. Replace panel, press firmly, turn fasteners (two) 1/4 turn cw to lock

NOTE

CSA-CP should be oriented with display visible when facing front panel of sampling pump

10. Mate CSA-CP to Sampling Pump. Slide CSA-CP into sampling pump bracket as far forward (toward inlet) as possible. Tighten Velcro straps

Cont next page

11. If contingency, activate CSA-CP/Sampling

Pump:

Press, hold MODE pb until 'RELEASE'
displayed

√CSA-CP on

Sampling Pump sw – ON

If not contingency, temp stow CSA-CP/Sampling
Pump

12. Stow:

CSA-CP Kit

SAMPLING PUMP BATTERY CHANGEOUT

- IFM Kit 1. Unstow:
 Small Flathead Screwdriver
 Marker
- CSA-CP 2. Unstow:
Kit Spare Batt Pack
3. Turn screw on back panel ccw 3 to 4 turns
4. Remove panel
 Temp stow
5. Grasp Batt Pack pull tab, remove Batt Pack
6. Mark Batt Pack "DISCHARGED" with marker
7. Install replacement Batt Pack, press firmly to seat
 electrodes
8. Replace cover plate, turn screw cw until tight
- IFM Kit 9. Stow:
 Screwdriver
- CSA-CP 10. Stow:
Kit Used Batt Pack

ZERO CALIBRATION

NOTE

Function of Zero Calibration Filter is to remove all target gases (if present) in air stream so sensors can be rezeroed. Capacity to remove target gases severely reduced if tethered filter caps not immediately replaced and tightened after use

1. Unstow:
CSA-CP Kit
2. Unstow from temp:
CSA-CP/Sampling Pump
Unstow from CSA-CP Kit:
Zero Filter

NOTE

Audible beeps occur when MODE pb depressed during unit activation

3. Press, hold MODE pb until 'RELEASE' displayed

NOTE

Wait ~1 min while unit runs self-check routine. A single beep occurs when self-check routine complete

4. √Display indicates readings for O₂, HCN, HCL, CO
5. Unscrew, remove Sampling Pump Inlet (blue) Filter Temp stow
6. Unscrew tethered end caps on Zero Filter

NOTE

Pump inlet fitting has outside and inside threads

Cont next page

7. Screw end of Zero Filter cw into Sampling Pump inlet fitting until snug
Arrow on Zero Filter should point toward Sampling Pump
8. Sampling Pump sw – ON
9. After 2 min, press MODE pb (11 times) until 'GO CAL' is displayed at top
10. Press "E" button
√'SET SPAN' displayed at top
11. Press "+" button
√'ZERO' displayed at top
12. Press "E" button, verify 'ZEROING' displayed
Wait 15 sec
√'ZERO' displayed at top
13. Press MODE pb once
After 15 sec, verify nominal display (gas concentrations)
14. Sampling Pump sw – OFF
15. Remove Zero Filter from Sampling Pump inlet
Replace tethered endcaps and tighten finger tight

NOTE

Damage to O-ring can occur if overtightened

16. Replace Sampling Pump Inlet Filter and tighten until snug

NOTE

CSA-CP can be used in active sampling mode using pump or in passive mode without pump. Use of pump provides faster response times for some contaminants

Cont next page

- 17. If passive operation of CSA-CP desired, then:
 - Demate CSA-CP from Sampling Pump
 - If active sampling desired, use as configured
- 18. Stow Zero Filter in CSA-CP Kit
 - Temp stow Sampling Pump (for passive operation)
 - Notify MCC
- 19. Transfer CSA-CP to desired location for sampling session

DATA LOGGER ACTIVATION/DEACTIVATION

NOTE

After activating/deactivating Data Logger, nominal display (gas concentrations) returns in ~10 sec

- CSA-CP 1. Press MODE pb (9 times) until 'LOG ON' (for activation) or 'LOG OFF' (for deactivation) displayed
- 2. Press "+" button to activate or deactivate Data Logger
 - √'LOG ON' or 'LOG OFF' displayed, as desired

ALARM DISABLE/ENABLE

NOTE

Disabling CSA-CP alarm function removes audio and visual annunciation (flashing red lights) if target gas thresholds exceeded. However, any target gas concentration(s) above preset threshold(s) continue to be indicated by blinking display

1. Notify MCC prior to disabling alarm function

NOTE

Audible beeps occur when MODE pb depressed during unit activation

2. Press, hold MODE pb until 'RELEASE' displayed

NOTE

Wait ~1 min while unit runs self-check routine. A single beep occurs when self-check routine complete

3. √Display indicates readings for O₂, HCN, HCL, CO

NOTE

Operating mode reverts to nominal display after 10 sec

4. Press MODE pb (10 times) until 'MUTE' or 'UNMUTE' is displayed
5. Press "+" button to disable/enable alarms, as desired
√Display indicates alarm enabled/disabled

DATA RECORDING TABLE

MET	LOCATION	DATA READINGS	REMARKS
___/___:___		1. O2 _____ 2. CO _____ 3. HCN _____ 4. HCL _____	
___/___:___		1. O2 _____ 2. CO _____ 3. HCN _____ 4. HCL _____	
___/___:___		1. O2 _____ 2. CO _____ 3. HCN _____ 4. HCL _____	
___/___:___		1. O2 _____ 2. CO _____ 3. HCN _____ 4. HCL _____	
___/___:___		1. O2 _____ 2. CO _____ 3. HCN _____ 4. HCL _____	
___/___:___		1. O2 _____ 2. CO _____ 3. HCN _____ 4. HCL _____	
___/___:___		1. O2 _____ 2. CO _____ 3. HCN _____ 4. HCL _____	
___/___:___		1. O2 _____ 2. CO _____ 3. HCN _____ 4. HCL _____	

SHUTTLE AUDIO DOSIMETER

ACTIVATION 14-2
SOUND LEVEL METER (SLM) MODE..... 14-2
Lavg/Leq MODE 14-3
DEACTIVATION 14-4

SHUTTLE
AUD DOS

ACTIVATION

- VOL 3B
1. Unstow:
Audio Dosimeter
 2. Slide front panel up ~1 inch on audio Dosimeter
 3. O/I sw → I (on)

NOTE

Front panel LED will light for ~10 sec while circuits test battery, then flash at intervals of ~2 sec to show circuits functioning

4. √'BATT OK' appears in top left of display and does not blink after ~10 sec
√'0:00 time' appears on display

SOUND LEVEL METER (SLM) MODE

1. Depress and release front black pb until 'SLM dB' appears on display

NOTE

Do not read SLM dB data when talking. This may interfere with real-time decibel measurement.

An 'OFL' (memory overflow) msg may appear momentarily on display if Dosimeter measures sound ≥ 99 dB. Ignore msg and continue measurements

2. Hold mic in front of desired location for ~10 sec to take measurement
3. Record:
SLM dB _____ dB
Location _____
MET Time ____/____:____:____
4. Call down recorded data to MCC

Lavg/Leq MODE

1. Depress and release front black pb until 'Lavg/Leq' appears on display
2. For Crew Worn:
 - Attach Dosimeter to belt
 - Run mic underneath shirt
 - Attach mic to collar as close to ear as possible

For Static Deployment:

- Place Dosimeter in specified location
- Slide front panel down to cover display
- Attach mic ~60 cm (2 ft) away from Dosimeter

3. Record:
 - Deployed Location: _____
 - MET Start Time ____/____:____:____

NOTE

An 'OFL' (memory overflow) msg may appear momentarily on display if Dosimeter measures sound ≥ 99 dB or if Dosimeter has been on ≥ 20 hr. Ignore msg and continue measurements

4. Retrieve Dosimeter from location or crewmember after specified deployment time (~24 hr) expired
5. Record:
 - MET Stop Time ____/____:____:____
 - Lavg/Leq _____ dBA
6. Call down recorded location, MET Start and Stop Time, and Lavg/Leq dBA to MCC

DEACTIVATION

1. Slide front panel up, if reqd
2. O/I sw → O (off)
3. Slide front panel down

Vol 3B 4. Stow Dosimeter

CUE CARD
CONFIG

CUE CARD CONFIGURATION

FAB USE ONLY

15-1

ORB OPS/ALL/GEN K

CUE CARD
CONFIG

This Page Intentionally Blank

FAB USE ONLY

15-2

ORB OPS/ALL/GEN K

TOP

WCCS COMM PLAN

CREW/CHNL	WALL UNIT	A/G1	A/G2	A/A	ICOM A	ICOM B
_____/A1 _____/A2	A	_____	_____	_____	_____	_____
_____/B1 _____/B2	B	_____	_____	_____	_____	_____
_____/C1 _____/C2	C	_____	_____	_____	_____	_____
_____/D1 _____/D2	D	_____	_____	_____	_____	_____
_____/E1 _____/E2	E	_____	_____	_____	_____	_____

ORB OPS-1a/O/B

(reduced copy)

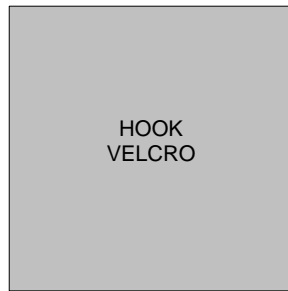
FAB USE ONLY

CC 15-3

ORB OPS/ALL/GEN K



TOP
BACK OF 'WCCS COMM PLAN'



HOOK
VELCRO



ORB OPS-1b/O/B



(reduced copy)

FAB USE ONLY

CC 15-4

ORB OPS/ALL/GEN K



FAB USE ONLY

CC 15-5

ORB OPS/ALL/GEN K

(reduced copy)

TOP

HOOK
VELCRO

HOOK
VELCRO

NO	GNC SPEC	OPS		NO	SM OPS 2		
		2	8		SPEC	NO	SPEC
43	CONTROLLERS		X	88	APU/ENVIRON THERM	97	PL RETENTION
20	DAP CONFIG	X		86	APU/HYD	89	PRPLT THERMAL
1	DPS UTILITY	X	X	76	COMMUNICATIONS	60	SM TABLE MAINT
6	GPC/BUS STATUS	X	X	68	CRYO SYSTEM	2	TIME
0	GPC MEMORY	X	X	168	CRYO PALLET		
21	IMU ALIGN	X		1	DPS UTILITY		
45	NWS		X	67	ELECTRIC		
34	ORBIT TGT	X		66	ENVIRONMENT		
23	RCS	X	X	77	EVA - MMU/FSS		
33	REL NAV	X		69	FUEL CELLS		
41	RGA/ADTA/RCS		X	6	GPC/BUS STATUS		
25	RM ORBIT	X		0	GPC MEMORY		
40	SENSOR TEST		X	87	HYD THERMAL		
22	S TRK/COAS CNTL	X		85	MASS MEMORY R/W		
44	SWITCHES		X	62	PCMMU/PL COMM		
42	SWITCH/SURF		X	94	PDRS CONTROL		
2	TIME	X	X	95	PDRS OVERRIDE		
55	GPS STATUS	X	X	96	PDRS STATUS		
ORBIT SPEC (R11)				900-902	TEXT SPEC INDEX		

ORB OPS-2a/O/I

FAB USE ONLY

CC 15-6

ORB OPS/ALL/GEN K

(reduced copy)

TOP
BACK OF 'ORBIT SPEC (R11)'

	0	1	2	3	4	5	6	7	8	9
00	TK1	TK1 HTR 1	FC1 O2	MNA	CABIN P	1	OX TK P	OX TK P	1 EGT	C He TK P
01	TK2	TK1 HTR 2	FC1 H2	MNB	O2 SYS 1 FLOW	2	FU TK P	FU TK P	2 EGT	L He TK P
02	TK3	TK2 HTR 1	FC2 O2	MNC	O2 SYS 2 FLOW	3	LEAK/TK P	ENG	3 EGT	R He TK P
03	TK4	TK2 HTR 2	FC2 H2	AC1	CABIN PPO2 A	4	OX TK P	OX TK P	1 OIL IN T	C He REG P
04	TK5	TK3 HTR 1	FC3 O2	AC2	CABIN PPO2 B	5	FU TK P	FU TK P	2 OIL IN T	L He REG P
05	TK1	TK3 HTR 2	FC3 H2	AC3	N2 SYS 1 FLOW	1	LEAK/TK P	ENG	3 OIL IN T	R He REG P
06	TK2	TK4 HTR 1	FC1	AC1	N2 SYS 2 FLOW	2	OX TK P	OMS TVC	APU 1	LO2 MANF P
07	TK3	TK4 HTR 2	FC2	AC2	CABIN FAN ?P	3	FU TK P	OX TK P	APU 2	LH2 MANF P
08	TK4	TK5 HTR 1	FC3	AC3	AV BAY 1 T	4	LEAK/TK P	OMS KIT	APU 3	
09	TK5	ADTA	FC1	RGV AA	AV BAY 2 T	5	RCS JET	PAYLOAD CAUTION	APU 1	SYS 1
10	L RHC	FCS SAT	FC2	IMU	AV BAY 3 T	1 OUT P	1 FLOW	1 EVAP OUT T	APU 2	SYS 2
11	R/AFT RHC	FCS CH BYPASS	FC3		CAB HX OUT T	2 OUT P	2 FLOW	2 EVAP OUT T	APU 3	SYS 3

ZIPTONED PARAM USED WHEN PUKIT INSTALLED

PARAM INH IF TANKS NOT INSTALLED

PARAM INH ON-ORBIT

ORB OPS-2b/O/E

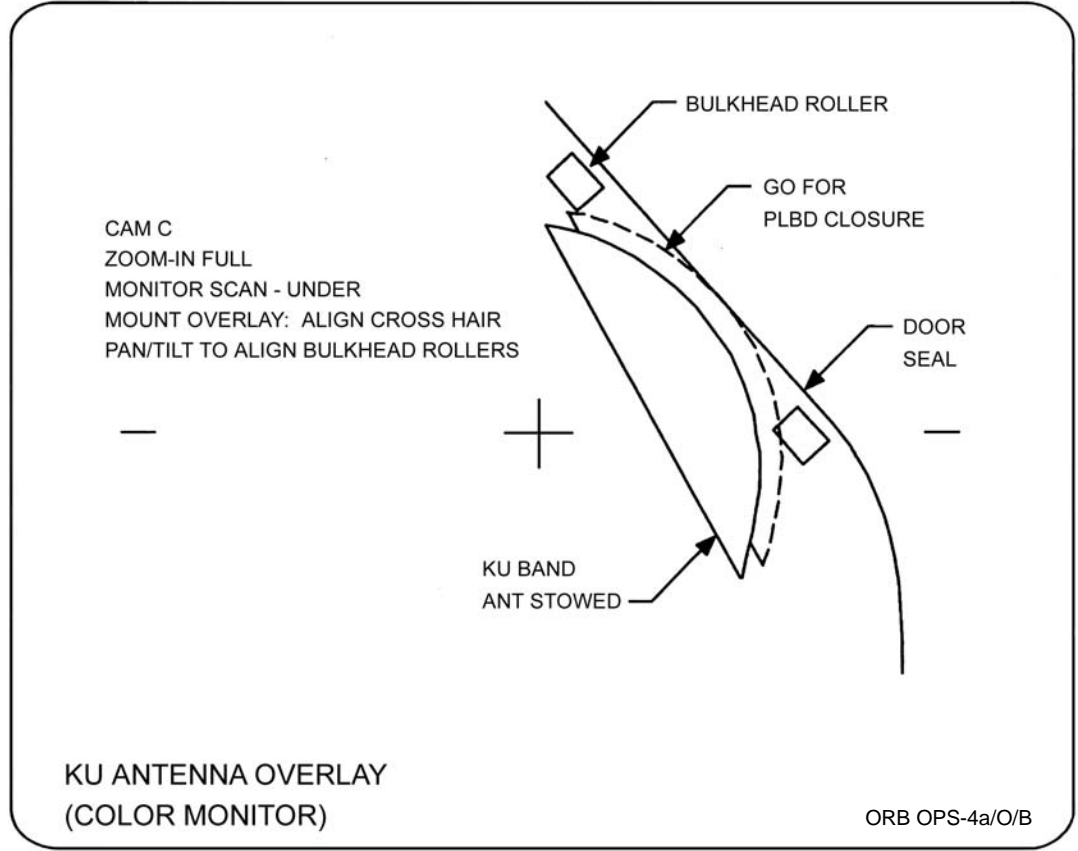
FAB USE ONLY

CC 15-7

ORB OPS/ALL/GEN K

(reduced copy)

Fabricate as a Transparency



(reduced copy)

URINE COLLECTION (w/o UMS)

- √FAN SEP same as HOSE BLOCK
- √MODE – AUTO
- √CRADLE – AUTO
- Unstow hose and install urinal funnel
- √Airflow
- √WCS ON It – on
- Urine
- Remove, clean, stow urinal funnel

NOTE

FAN SEP will run for ~30 sec after hose stowage

- Stow hose in cradle
- √WCS ON It – off

URINE/FECES COLLECTION

- √FAN SEP same as HOSE BLOCK
- √New bag in WCS Coffee Can
- MODE – COMMODE/MANUAL/EMU

NOTE

CRADLE sw disabled when MODE sw in COMMODE/MANUAL/EMU position

- Unstow hose and install urinal funnel
- √Airflow
- √WCS ON It – on
- COMMODE CNTL – UP (wait 15 sec)
- FWD

- Ensure proper seal, restrain body
- Urine/defecate
- √Transport tube – clean if reqd

NOTE

No WCS Coffee Can airflow until slide vlv cl

- COMMODE CNTL – OFF (BACK/DN)
- Remove, clean, stow urinal funnel
- Clean seat as reqd
- Close WCS trash bag, place in WCS trash module
- Place new bag in WCS Coffee Can

NOTE

FAN SEP will run for ~30 sec after MODE – AUTO

- Stow hose in cradle
- MODE – AUTO
- √WCS ON It – off

NOTE

This Cue Card to fly for missions manifesting WCS w/o UMS

TOP

HOOK
VELCRO

WCS COMPACTOR OPS (DUAL-VANE)

- Tools reqd: 1/4-in Torque Wrench
- 6-in Extension
- 1/4-in to 3/8-in Adapter
- Set Torque Wrench to 50 in-lb (first or second compaction)

- √MODE – AUTO

FIRST COMPACTION

Rotate Compactor crank – cw. Stop when torque limit obtained
At completion of compaction, √net clear of transport tube. If torque limit reached while gauge in yellow region, √MCC before proceeding to CONTINGENCY OPS

SECOND COMPACTION

Rotate Compactor crank – ccw. Stop when torque limit obtained
At completion of compaction, √net clear of transport tube. If torque limit reached while gauge in yellow region, √MCC before proceeding to CONTINGENCY OPS

- * CONTINGENCY OPS (Vanes will not rotate or jammed)
- * vane)
- * MODE – COMMODE/MANUAL/EMU (√airflow)
- * COMMODE CNTL – UP (wait 20 sec)
- * – FWD
- * √WCS ON It – on
- * Allow 5 min for commode contents to soften, then
- * reattempt compaction. If no joy, attempt compaction
- * once more after 5 min. If still no joy, inspect vanes for
- * attached debris. If debris present, remove/redistribute
- * using scraper tool (wear gloves). Re-attempt
- * compaction. If still no joy, √MCC
- * If compactor net blocking transport tube, use scissors to
- * cut elastic net to clear tube
- * When complete:
- * COMMODE CNTL – OFF (BACK/DN)
- * MODE – AUTO
- * √WCS ON It – off

Stow tools

HOOK
VELCRO

ORB OPS-5a/O/H

FAB USE ONLY

CC 15-9

ORB OPS/ALL/GEN K

(reduced copy)

TOP
BACK OF 'URINE COLLECTION (w/o UMS)'

**CONT WASTE COLLECTION –
UCD/APOLLO BAG**

NOTE

WCS Compactor Ops must be performed
before stowing Apollo Bags in commode

Unstow Bags
Complete urination in UCD
Remove Apollo Bag Seal Cover
Seal to buttocks and defecate
Force gas out and seal
Stow Apollo Bag in commode or wet trash
Stow UCD in wet trash

FAN SEP SWITCHING

√MODE – AUTO
√CRADLE – AUTO
√Hose stowed in cradle
√WCS ON It – off
FAN SEP SEL sw – OFF
HOSE BLOCK – SEP 2(1)

NOTE

In next step, alternate fan sep will turn
on for 30 sec. Normal ops may proceed
after 30-sec run complete

FAN SEP SEL sw – 2(1)

If airflow still low or if no airflow, √MCC

HOOK
VELCRO

WCS CLEANING

Urinal:

NOTE

Hose must be stowed in cradle
to take switch to AUTO INHIBIT

CRADLE – AUTO INHIBIT

Inspect/replace prefilter (once/day or as reqd)
Discard old prefilter in WCS dry trash
Inspect/clean urinal Hose Screen (disconnect Hose from
Hose Block)
CRADLE – AUTO

Commode:

Use Sanitation Agent/Dry Wipes to clean seat and
transport tube above gate vlv
Discard in WCS trash module

HOOK
VELCRO

ORB OPS-5b/O/G

FAB USE ONLY

CC 15-10

ORB OPS/ALL/GEN K

(reduced copy)

URINE COLLECTION (w/UMS)

- Y-Vlv - WCS
- WCS/UMS sw - WCS
- Install urinal funnel
- √FAN SEP same as HOSE BLOCK
- √MODE - WCS/EMU (√airflow)
- Urinate
- Remove, clean, stow urinal funnel

CAUTION
Allow FAN SEP to run for
30 sec before proceeding

- WCS/UMS sw - UMS
- Y-Vlv - UMS

URINE/FECES COLLECTION

- Y-Vlv - WCS
- WCS/UMS sw - WCS
- Install urinal funnel
- √New bag in WCS trash can
- √FAN SEP same as HOSE BLOCK
- √MODE - WCS/EMU (√airflow)
- COMMODE CNTL - UP (wait 15 sec)
- FWD
- Ensure proper seal, restrain body
- Urinate/defecate
- √Transport tube

NOTE

No WCS Trash Can airflow until slide vlv cl

- COMMODE CNTL - OFF (BACK/DN)
- Remove, clean, stow urinal funnel
- Clean seat as reqd
- Seal WCS trash bag, place in WCS trash module
- Place new bag in WCS trash can

CAUTION
Allow FAN SEP to run for
30 sec before proceeding

- WCS/UMS sw - UMS
- Y-Vlv - UMS

NOTE

This Cue Card to fly for missions manifesting WCS, UMS

TOP

HOOK
VELCRO

WCS COMPACTOR OPS (DUAL-VANE)

- Tools reqd: 1/4-in Torque Wrench
- 4-in Extension
- 1/4-in to 3/8-in Adapter
- Set Torque Wrench to 50 in-lb (first or second compaction)

MODE - OFF

FIRST COMPACTION

Rotate Compactor crank - cw. Stop when torque limit obtained. At completion of compaction, √net clear of transport tube. If torque limit reached while gauge in yellow region, go to CONTINGENCY OPS

SECOND COMPACTION

Rotate Compactor crank - ccw. Stop when torque limit obtained. At completion of compaction, √net clear of transport tube. If torque limit reached while gauge in yellow region, go to CONTINGENCY OPS

- * **CONTINGENCY OPS** (Vanes won't rotate or
- * jammed vane)
- * MODE - WCS/EMU (√airflow)
- * COMMODE CNTL - UP (wait 20 sec)
- * - FWD
- * Allow 5 min for commode contents to soften,
- * then reattempt compaction. If no joy, attempt
- * compaction every 5 min. If still no joy, inspect
- * vanes for attached debris. If debris present,
- * remove/redistribute using scraper tool (wear
- * gloves). Re-attempt compaction. If still no joy,
- * √MCC
- * If compactor net blocking transport tube, use
- * scissors to cut elastic net to clear tube
- * When complete:
- * COMMODE CNTL - DN
- * MODE - OFF

Stow tools

HOOK
VELCRO

ORB OPS-6a/O/1

FAB USE ONLY

CC 15-11

ORB OPS/ALL/GEN K

(reduced copy)

TOP
BACK OF 'URINE COLLECTION (w/UMS)'

**UMS CONT WASTE COLLECTION –
UCD/APOLLO BAG**

NOTE

WCS Compactor Ops must be performed
before stowing Apollo Bags in commode

Unstow Bags
Complete urination in UCD
Remove Apollo Bag Seal Cover
Seal to buttocks and defecate
Force gas out and seal
Place Apollo Bag in Outer Bag
Remove Outer Bag Internal Seal Cover
Force gas out and seal
Stow Apollo Bag in commode or wet trash
Stow UCD in wet trash

FAN SEP FAILURE

CAUTION

Do not run both FAN SEPARATORS
at same time

If low or no airflow in WCS:
MODE – OFF
HOSE BLOCK – SEP 2(1)

NOTE

In next step, alternate fan sep will turn on
for 30 sec. Normal ops may proceed after
30-sec run complete

FAN SEP SEL sw – 2(1)
MODE – WCS/EMU (√airflow)

If airflow still low or if no airflow, √MCC

HOOK
VELCRO

WCS CLEANING

Urinal:

Inspect/replace prefilter (once/day or as reqd)
Discard old prefilter in WCS dry trash
Disconn Y-Vlv w/bracket and stem hose
Inspect/replace urinal Hose Screen
Reconn Y-Vlv w/bracket and stem hose to WCS

Commode:

Use Sanitation Agent/Dry Wipes to clean seat and
transport tube above gate vlv
Discard in WCS trash module

HOOK
VELCRO

ORB OPS-6b/O/H

(reduced copy)

EDO WCS URINE COLLECTION

- Unstow urinal hose
- √Airflow
- √URINAL READY It – on (5-15 sec)
- Install urinal funnel
- Urinate
- Remove, clean, and stow urinal funnel
- Stow urinal hose

EDO WCS URINE/FECES COLLECTION

- Unstow urinal hose
- √Airflow
- √URINAL READY It – on (5-15 sec)
- Install urinal funnel
- Open commode lid
 - √Fecal bag installed (gold dot UP)
 - √COMMODOE FAN – ON (audible 1-15 sec)
 - √All Its – off (except URINAL READY It)

- * If COMMODOE FAULT It – on: *
- * Verify airflow (commode Fan 1 fault *
- * Controller has started Fan 2) *
- * Continue w/commode use *
- * If COMMODOE FAULT It – blinking: *
- * √MCC *
- * If SERVICE CANISTER It – on: *
- * Fecal Canister will need servicing soon *
- * Continue w/commode use *
- * If SERVICE CANISTER It – blinking: *
- * Go to EDO WCS FECAL CANISTER *
- * CHANGEOUT (Cue Card) *

- Restrain body
- Urinate/defecate
- Remove, clean, and stow urinal funnel
- Stow urinal hose
- Clean seat as reqd
- Raise seat
- Insert fecal bag lid (tab up), √Lid seated

(Cont Next Column)

NOTE

This Cue Card to fly in place of current urine collection Cue Card for missions manifesting EDO WCS

TOP

HOOK
VELCRO

EDO WCS URINE/FECES COLLECTION (Cont)

- Unlatch compactor and rotate to compact position,
- √Engaged in 3 slide brackets
- Latch compactor in place

- * If compactor rotation impeded: *
- * √COMPACTOR ARM LOCK PIN – raised *
- * √COMPACTOR CLEANING LATCH *
- * PIN – engaged *

- √READY TO COMPACT It – on
- COMPACT pb – push
- √READY TO COMPACT It – off (as compacting begins)
- on (as compacting ends)

- * If Commode FAULT It – on: *
- * √MCC *

- Unlatch compactor and rotate to stowed position
- Latch compactor in place
- √All Its – off
- Install new fecal bag (gold dot UP)
- Lower seat
- Close commode lid, √Seat lid latch – latched

EDO WCS CLEANING

- Urinal:
 - Inspect/replace urine screen (once/day or as reqd)
 - Discard old prefilter in AUX WET TRASH

- Commode:
 - Use Sanitation Agent/Dry Wipes to clean seat
 - Discard in AUX WET TRASH

HOOK
VELCRO

(reduced copy)

TOP
BACK OF 'EDO WCS URINE COLLECTION'

EDO WCS FECAL CANISTER CHANGEOUT

Commode lid – up
Remove used canister:
CANISTER HANDLE – loosen
CANISTER – Rotate to position 4 (LOAD)
– Remove
Install CANISTER LID (snap in place on full used canister)
Stow used canister

Install new canister:
CANISTER – Align black mark w/arrow at position 4 (LOAD)
– Insert into PLENUM
– Rotate to position 3 (LOCK)
CANISTER HANDLE – Tighten
– Fold flat against canister
RESET/TEST – CANISTER RESET
√SERVICE CANISTER It – off
Commode lid – cl

EDO WCS SWITCH FUNCTION

URINAL SEL sw – Selects which fan/separator will be in use when urinal ops controlled by EDO WCS controller automatically

WCS PWR SEL sw – AUTO 1(2) defines which power source used by controller. AUTO 1 is MNA. AUTO 2 is MNB

MAN 1(2) position turns on fan/separator 1(2) for manual ops (no fault lts). Commode Fan 1(2) will turn on as well

FAN PWR sw – AUTO position lets controller select commode Fan (#1 always first); will automatically switch to commode Fan 2 if commode fault detected. Fan 1(2) positions activate commode Fan 1(2) as desired

HOOK
VELCRO

**EDO WCS URINE OR FECES COLLECTION
MANUAL OVERRIDE PROCEDURE**

NOTE

These procedures assume all attempts at operating EDO WCS thru controller have failed. Select system 1 first; use system 2 if system 1 fails. Fault LEDs will not operate when in manual

Commode:

Close commode lid
√URN DIV VLV – FAN SEP 1(2)
WCS PWR SEL – MAN 1, OFF 2(OFF 1, MAN 2)
√Commode Fan Start (audible)
Raise commode lid
√Airflow of commode
Defecate
Compact – Using MANUAL COMPACTION (Cue Card) procedures
Close commode lid
WCS PWR SEL – OFF 1, OFF 2
Use this procedure for remainder of flight

Urinal:

URN DIV VLV – FAN SEP 1(2)
WCS PWR SEL – MAN 1, OFF 2(OFF 1, MAN 2)
√Urinal airflow
Urinate
Wait 30 sec (allows for full clearing of liquids), then:
WCS PWR SEL – OFF 1, OFF 2
Use this procedure for remainder of flight

CONT WASTE COLLECTION – UCD/APOLLO BAG

Unstow bags
Complete urination in UCD
Remove Apollo Bag Seal Cover
Seal to buttocks and defecate
Force gas out and seal
Place Apollo Bag in Outer Bag
Remove Outer Bag Internal Seal Cover
Force gas out and seal
Stow Apollo Bag in wet trash
Stow UCD in wet trash

HOOK
VELCRO

TOP

EDO WCS MANUAL COMPACTION

WITH TOOLS

OBJECTIVE: Extend/retract Compactor Piston w/battery-powered Screwdriver or Robbins Wrench in event of compactor failure

TOOLS REQD: 1/4-in to 3/8-in Adapter
Battery-powered Screwdriver or Robbins Wrench

1. Raise seat
2. Install Fecal Bag lid
3. Unlatch Compactor, rotate to compact position, latch in place
 - * If Compactor rotation impeded: *
 - * √COMPACTOR ARM LOCK PIN – raised *
 - * √COMPACTOR CLEANING LATCH PIN – engaged *
4. Rotate Manual Drive cw to extend Compactor Piston
5. Rotate Manual Drive ccw to retract Compactor Piston
6. Unlatch Compactor, rotate to stowed position, latch in place
7. Install new Fecal Bag
8. Lower seat
9. Close commode lid

BY HAND (No more than three times consecutively)

OBJECTIVE: Manually compact Fecal Bag in event of Compactor failure

TOOLS REQD: None

1. Raise seat
2. Install Fecal Bag lid
3. Push Fecal Bag and lid to bottom of Transport Tube
4. Install new Fecal Bag
5. Lower seat
6. Close commode lid

ORB OPS-8a/O/B

NOTE: This Cue Card to fly for missions manifesting EDO WCS

(reduced copy)

FAB USE ONLY

CC 15-14

ORB OPS/ALL/GEN K



TOP
 BACK OF 'EDO WCS MANUAL COMPACTION'



ORB OPS-8b/O/B



(reduced copy)

FAB USE ONLY

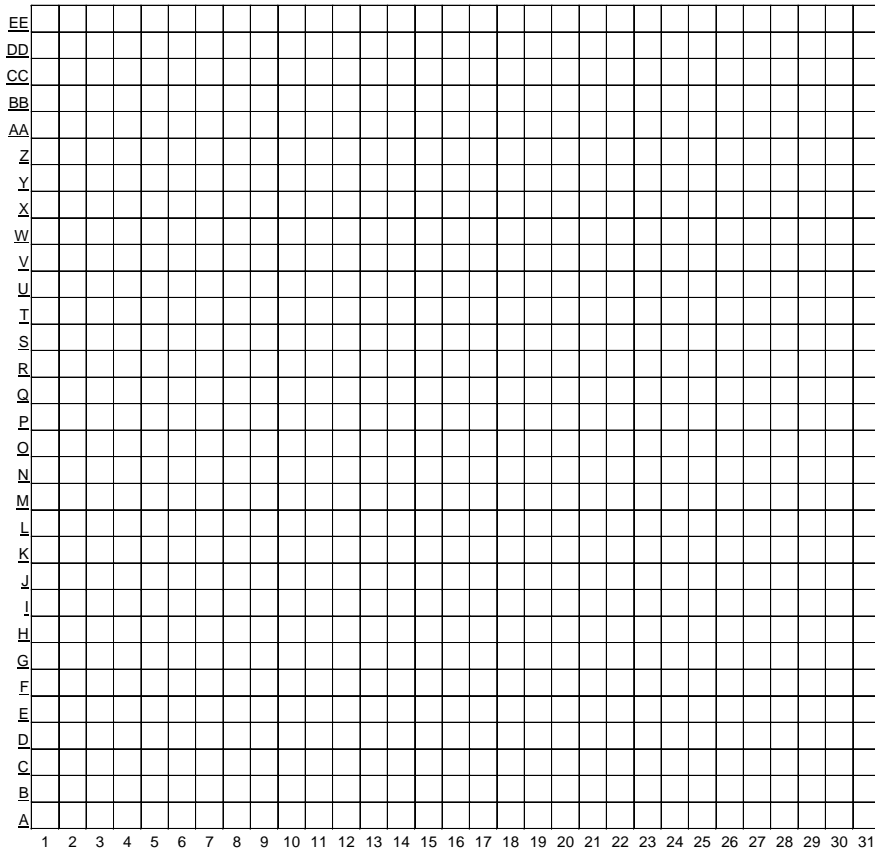
CC 15-15

ORB OPS/ALL/GEN K



Fabricate as a Transparency

PHOTO GRID OVERLAY



ORB OPS-9a/O/B

(reduced copy)

FAB USE ONLY

CC 15-16

ORB OPS/ALL/GEN K

TOP

HOOK
VELCRO

**DUAL SHIFT ORBITER
CO2 ABSORBER REPLACEMENT**
(5 Crewmembers/RED sleeps 1st/FD 1-16)

FLIGHT DAY	POS A	POS B	CK CMPLT
LAUNCH	1	2	
POST BLUE FD2	3	"	
PRE BLUE FD2	"	4	
POST BLUE FD3	5 *	6	
PRE BLUE FD3	7	"	
POST BLUE FD4	"	8	
PRE BLUE FD4	9	"	
POST BLUE FD5	"	10	
PRE BLUE FD5	11	"	
POST BLUE FD6	12 *	13	
PRE BLUE FD6	14	"	
POST BLUE FD7	"	15	
PRE BLUE FD7	16	"	
POST BLUE FD8	"	17	
PRE BLUE FD8	18	"	

*Reseal LiOH cans w/Gray Tape and stow

ORB OPS-11a/nonRCRS/B

NOTE

Cue Card not flown for missions manifesting RCRS
(reduced copy)

FAB USE ONLY

CC 15-17

ORB OPS/ALL/GEN K

TOP
 BACK OF 'DUAL SHIFT ORBITER
 CO2 ABSORBER REPLACEMENT'

HOOK
 VELCRO

**DUAL SHIFT ORBITER
 CO2 ABSORBER REPLACEMENT**
 (5 Crewmembers/RED sleeps 1st/FD 1-16)

FLIGHT DAY	POS A	POS B	CK CMPLT
POST BLUE FD9	19 *	20	
PRE BLUE FD9	21	"	
POST BLUE FD10	"	22	
PRE BLUE FD10	23	"	
POST BLUE FD11	"	24	
PRE BLUE FD11	25	"	
POST BLUE FD12	26 *	27	
PRE BLUE FD12	28	"	
POST BLUE FD13	"	29	
PRE BLUE FD13	30	"	
POST BLUE FD14	"	31	
PRE BLUE FD14	32	"	
POST BLUE FD15	33 *	34	
PRE BLUE FD15	35	"	
POST BLUE FD16	"	36	
PRE BLUE FD16	37	"	

*Reseal LiOH cans w/Gray Tape and stow
 ORB OPS-11b/nonRCRS/B

(reduced copy)

FAB USE ONLY

CC 15-18

ORB OPS/ALL/GEN K

TOP

HOOK
VELCRO

**DUAL SHIFT ORBITER
CO2 ABSORBER REPLACEMENT**
(5 Crewmembers/BLUE sleeps 1st/FD 1-16)

FLIGHT DAY	POS A	POS B	CK CMLPT
LAUNCH	1	2	
POST RED FD2	3	"	
PRE RED FD2	"	4	
POST RED FD3	5 *	6	
PRE RED FD3	7	"	
POST RED FD4	"	8	
PRE RED FD4	9	"	
POST RED FD5	"	10	
PRE RED FD5	11	"	
POST RED FD6	12 *	13	
PRE RED FD6	14	"	
POST RED FD7	"	15	
PRE RED FD7	16	"	
POST RED FD8	"	17	
PRE RED FD8	18	"	

*Reseal LiOH cans w/Gray Tape and stow

ORB OPS-12a/nonRCRS/B

NOTE

Cue Card not flown for missions manifesting RCRS
(reduced copy)

FAB USE ONLY

CC 15-19

ORB OPS/ALL/GEN K

TOP
 BACK OF 'DUAL SHIFT ORBITER
 CO2 ABSORBER REPLACEMENT'

HOOK
 VELCRO

**DUAL SHIFT ORBITER
 CO2 ABSORBER REPLACEMENT**
 (5 Crewmembers/BLUE sleeps 1st/FD 1-16)

FLIGHT DAY	POS A	POS B	CK CMPLT
POST RED FD9	19 *	20	
PRE RED FD9	21	"	
POST RED FD10	"	22	
PRE RED FD10	23	"	
POST RED FD11	"	24	
PRE RED FD11	25	"	
POST RED FD12	26 *	27	
PRE RED FD12	28	"	
POST RED FD13	"	29	
PRE RED FD13	30	"	
POST RED FD14	"	31	
PRE RED FD14	32	"	
POST RED FD15	33 *	34	
PRE RED FD15	35	"	
POST RED FD16	"	36	
PRE RED FD16	37	"	

*Reseal LiOH cans w/Gray Tape and stow
 ORB OPS-12b/nonRCRS/B

(reduced copy)

FAB USE ONLY

CC 15-20

ORB OPS/ALL/GEN K

TOP

HOOK
VELCRO

**DUAL SHIFT ORBITER
CO2 ABSORBER REPLACEMENT**
(6 Crewmembers/RED sleeps 1st/FD 1-16)

FLIGHT DAY	POS A	POS B	CK CMLPT
LAUNCH	1	2	
POST BLUE FD2	3	4	
POST RED FD3	5	"	
POST BLUE FD3	6	7*	
POST RED FD4	"	8	
POST BLUE FD4	9*	10	
POST RED FD5	11	"	
POST BLUE FD5	"	12	
POST RED FD6	13	14	
POST BLUE FD6	"	15	
POST RED FD7	16	"	
POST BLUE FD7	17	18	
POST RED FD8	"	19*	
POST BLUE FD8	20	21	

*Reseal LiOH cans w/Gray Tape and stow

ORB OPS-13a/nonRCRS/B

NOTE

Cue Card not flown for missions manifesting RCRS

(reduced copy)

FAB USE ONLY

CC 15-21

ORB OPS/ALL/GEN K

TOP
 BACK OF 'DUAL SHIFT ORBITER
 CO2 ABSORBER REPLACEMENT'

HOOK
 VELCRO

**DUAL SHIFT ORBITER
 CO2 ABSORBER REPLACEMENT**
 (6 Crewmembers/RED sleeps 1st/FD 1-16)

FLIGHT DAY	POS A	POS B	CK CMPLT
POST RED FD9	22 *	"	
POST BLUE FD9	23	24 *	
POST RED FD10	"	25 *	
POST BLUE FD10	26	27	
POST RED FD11	28	"	
POST BLUE FD11	"	29	
POST RED FD12	30	"	
POST BLUE FD12	31	32	
POST RED FD13	33	"	
POST BLUE FD13	34	35	
POST RED FD14	"	36	
POST BLUE FD14	37 *	38	
POST RED FD15	39 *	"	
POST BLUE FD15	40	41 *	
POST RED FD16	"	42 *	
POST BLUE FD16	43	44	

*Reseal LiOH cans w/Gray Tape and stow
 ORB OPS-13b/nonRCRS/B

(reduced copy)

FAB USE ONLY

CC 15-22

ORB OPS/ALL/GEN K

TOP

HOOK
VELCRO

**DUAL SHIFT ORBITER
CO2 ABSORBER REPLACEMENT**
(6 Crewmembers/BLE sleeps 1st/FD 1-16)

FLIGHT DAY	POS A	POS B	CK CMLPT
LAUNCH	1	2	
POST RED FD2	3	4	
POST BLUE FD3	5	"	
POST RED FD3	6	7*	
POST BLUE FD4	"	8	
POST RED FD4	9*	10	
POST BLUE FD5	11	"	
POST RED FD5	"	12	
POST BLUE FD6	13	14	
POST RED FD6	"	15	
POST BLUE FD7	16	"	
POST RED FD7	17	18	
POST BLUE FD8	"	19*	
POST RED FD8	20	21	

*Reseal LiOH cans w/Gray Tape and stow

ORB OPS-14a/nonRCRS/B

NOTE

Cue Card not flown for missions manifesting RCRS

(reduced copy)

FAB USE ONLY

CC 15-23

ORB OPS/ALL/GEN K

TOP
 BACK OF 'DUAL SHIFT ORBITER
 CO2 ABSORBER REPLACEMENT'

HOOK
 VELCRO

**DUAL SHIFT ORBITER
 CO2 ABSORBER REPLACEMENT**
 (6 Crewmembers/BLUE sleeps 1st/FD 1-16)

FLIGHT DAY	POS A	POS B	CK CMPLT
POST BLUE FD9	22 *	"	
POST RED FD9	23	24 *	
POST BLUE FD10	"	25 *	
POST RED FD10	26	27	
POST BLUE FD11	28	"	
POST RED FD11	"	29	
POST BLUE FD12	30	"	
POST RED FD12	31	32	
POST BLUE FD13	33	"	
POST RED FD13	34	35	
POST BLUE FD14	"	36	
POST RED FD14	37 *	38	
POST BLUE FD15	39 *	"	
POST RED FD15	40	41 *	
POST BLUE FD16	"	42 *	
POST RED FD16	43	44	

*Reseal LiOH cans w/Gray Tape and stow
 ORB OPS-14b/nonRCRS/B

(reduced copy)

FAB USE ONLY

CC 15-24

ORB OPS/ALL/GEN K

TOP

HOOK
VELCRO

**DUAL SHIFT ORBITER
CO2 ABSORBER REPLACEMENT**
(7 Crewmembers/RED sleeps 1st/FD 1-16)

FLIGHT DAY	POS A	POS B	CK CMPLT
LAUNCH	1 *	2	
PRE BLUE FD1	3 *	"	
POST BLUE FD2	4	5	
PRE BLUE FD2	6	"	
POST BLUE FD3	7	8	
PRE BLUE FD3	9	"	
POST BLUE FD4	10	11	
PRE BLUE FD4	12 *	13 *	
POST BLUE FD5	14	15	
PRE BLUE FD5	16	"	
POST BLUE FD6	17	18	
PRE BLUE FD6	19	"	
POST BLUE FD7	20	21	
PRE BLUE FD7	22 *	23 *	
POST BLUE FD8	24	25	
PRE BLUE FD8	26	"	

*Reseal LiOH cans w/Gray Tape and stow
ORB OPS-15a/nonRCRS/B

NOTE

Cue Card not flown for missions manifesting RCRS
(reduced copy)

FAB USE ONLY

CC 15-25

ORB OPS/ALL/GEN K

TOP
 BACK OF 'DUAL SHIFT ORBITER
 CO2 ABSORBER REPLACEMENT'

HOOK
 VELCRO

**DUAL SHIFT ORBITER
 CO2 ABSORBER REPLACEMENT**
 (7 Crewmembers/RED sleeps 1st/FD 1-16)

FLIGHT DAY	POS A	POS B	CK CMPLT
POST BLUE FD9	27	28	
PRE BLUE FD9	29 *	30 *	
POST BLUE FD10	31	32	
PRE BLUE FD10	33	"	
POST BLUE FD11	34	35	
PRE BLUE FD11	36 *	37 *	
POST BLUE FD12	38	39	
PRE BLUE FD12	40	"	
POST BLUE FD13	41	42	
PRE BLUE FD13	43	"	
POST BLUE FD14	44	45	
PRE BLUE FD14	46 *	47 *	
POST BLUE FD15	48	49	
PRE BLUE FD15	50	"	
POST BLUE FD16	51	52	
PRE BLUE FD16	53 *	54 *	

*Reseal LiOH cans w/Gray Tape and stow

ORB OPS-15b/nonRCRS/B

(reduced copy)

FAB USE ONLY

CC 15-26

ORB OPS/ALL/GEN K

TOP

HOOK
VELCRO

**DUAL SHIFT ORBITER
CO2 ABSORBER REPLACEMENT**
(7 Crewmembers/BLUE sleeps 1st/FD 1-16)

FLIGHT DAY	POS A	POS B	CK CMPLT
LAUNCH	1 *	2	
PRE RED FD1	3 *	"	
POST RED FD2	4	5	
PRE RED FD2	6	"	
POST RED FD3	7	8	
PRE RED FD3	9	"	
POST RED FD4	10	11	
PRE RED FD4	12 *	13 *	
POST RED FD5	14	15	
PRE RED FD5	16	"	
POST RED FD6	17	18	
PRE RED FD6	19	"	
POST RED FD7	20	21	
PRE RED FD7	22 *	23 *	
POST RED FD8	24	25	
PRE RED FD8	26	"	

*Reseal LiOH cans w/Gray Tape and stow
ORB OPS-16a/nonRCRS/B

NOTE

Cue Card not flown for missions manifesting RCRS
(reduced copy)

FAB USE ONLY

CC 15-27

ORB OPS/ALL/GEN K

TOP
 BACK OF 'DUAL SHIFT ORBITER
 CO2 ABSORBER REPLACEMENT'

HOOK
 VELCRO

**DUAL SHIFT ORBITER
 CO2 ABSORBER REPLACEMENT**
 (7 Crewmembers/BLUE sleeps 1st/FD 1-16)

FLIGHT DAY	POS A	POS B	CK CMPLT
POST RED FD9	27	28	
PRE RED FD9	29 *	30 *	
POST RED FD10	31	32	
PRE RED FD10	33	"	
POST RED FD11	34	35	
PRE RED FD11	36 *	37 *	
POST RED FD12	38	39	
PRE RED FD12	40	"	
POST RED FD13	41	42	
PRE RED FD13	43	"	
POST RED FD14	44	45	
PRE RED FD14	46 *	47 *	
POST RED FD15	48	49	
PRE RED FD15	50	"	
POST RED FD16	51	52	
PRE RED FD16	53 *	54 *	

*Reseal LiOH cans w/Gray Tape and stow

ORB OPS-16b/nonRCRS/B

(reduced copy)

FAB USE ONLY

CC 15-28

ORB OPS/ALL/GEN K

TOP

HOOK
VELCRO

**DUAL SHIFT ORBITER
CO2 ABSORBER REPLACEMENT**
(8 Crewmembers/RED sleeps 1st/FD 1-16)

FLIGHT DAY	POS A	POS B	CK CMPLT
LAUNCH	1 *	2	
POST RED FD2	3	"	
POST BLUE FD2	4	5	
POST RED FD3	6 *	7 *	
POST BLUE FD3	8	9	
POST RED FD4	10 *	11 *	
POST BLUE FD4	12	13	
POST RED FD5	14	15	
POST BLUE FD5	16	17	
POST RED FD6	18 *	19 *	
POST BLUE FD6	20	21	
POST RED FD7	22 *	23 *	
POST BLUE FD7	24	25	
POST RED FD8	26 *	27 *	
POST BLUE FD8	28	29	

*Reseal LiOH cans w/Gray Tape and stow

ORB OPS-17a/nonRCRS/B

NOTE

Cue Card not flown for missions manifesting RCRS
(reduced copy)

FAB USE ONLY

CC 15-29

ORB OPS/ALL/GEN K

TOP
 BACK OF 'DUAL SHIFT ORBITER
 CO2 ABSORBER REPLACEMENT'

HOOK
 VELCRO

**DUAL SHIFT ORBITER
 CO2 ABSORBER REPLACEMENT**
 (8 Crewmembers/RED sleeps 1st/FD 1-16)

FLIGHT DAY	POS A	POS B	CK CMPLT
POST RED FD9	30 *	31 *	
POST BLUE FD9	32	33	
POST RED FD10	34 *	35 *	
POST BLUE FD10	36	37	
POST RED FD11	38 *	39 *	
POST BLUE FD11	40	41	
POST RED FD12	42	"	
POST BLUE FD12	43	44	
POST RED FD13	45 *	46 *	
POST BLUE FD13	47	48	
POST RED FD14	49 *	50 *	
POST BLUE FD14	51	52	
POST RED FD15	53	54	
POST BLUE FD15	55 *	56 *	
POST RED FD16	57	58	
POST BLUE FD16	59 *	60 *	

*Reseal LiOH cans w/Gray Tape and stow

ORB OPS-17b/nonRCRS/B

(reduced copy)

FAB USE ONLY

CC 15-30

ORB OPS/ALL/GEN K

TOP

HOOK
VELCRO

**DUAL SHIFT ORBITER
CO2 ABSORBER REPLACEMENT**
(8 Crewmembers/BLUE sleeps 1st/FD 1-16)

FLIGHT DAY	POS A	POS B	CK CMLPT
LAUNCH	1 *	2	
POST BLUE FD2	3	"	
POST RED FD2	4	5	
POST BLUE FD3	6 *	7 *	
POST RED FD3	8	9	
POST BLUE FD4	10 *	11 *	
POST RED FD4	12	13	
POST BLUE FD5	14	15	
POST RED FD5	16	17	
POST BLUE FD6	18 *	19 *	
POST RED FD6	20	21	
POST BLUE FD7	22 *	23 *	
POST RED FD7	24	25	
POST BLUE FD8	26 *	27 *	
POST RED FD8	28	29	

*Reseal LiOH cans w/Gray Tape and stow

ORB OPS-18a/nonRCRS/B

NOTE

Cue Card not flown for missions manifesting RCRS
(reduced copy)

FAB USE ONLY

CC 15-31

ORB OPS/ALL/GEN K

TOP
 BACK OF 'DUAL SHIFT ORBITER
 CO2 ABSORBER REPLACEMENT'

HOOK
 VELCRO

**DUAL SHIFT ORBITER
 CO2 ABSORBER REPLACEMENT**
 (8 Crewmembers/BLUE sleeps 1st/FD 1-16)

FLIGHT DAY	POS A	POS B	CK CMPLT
POST BLUE FD9	30 *	31 *	
POST RED FD9	32	33	
POST BLUE FD10	34 *	35 *	
POST RED FD10	36	37	
POST BLUE FD11	38 *	39 *	
POST RED FD11	40	41	
POST BLUE FD12	42	"	
POST RED FD12	43	44	
POST BLUE FD13	45 *	46 *	
POST RED FD13	47	48	
POST BLUE FD14	49 *	50 *	
POST RED FD14	51	52	
POST BLUE FD15	53	54	
POST RED FD15	55 *	56 *	
POST BLUE FD16	57	58	
POST RED FD16	59 *	60 *	

*Reseal LiOH cans w/Gray Tape and stow

ORB OPS-18b/nonRCRS/B

(reduced copy)

FAB USE ONLY

CC 15-32

ORB OPS/ALL/GEN K

TOP

HOOK
VELCRO

**SINGLE SHIFT ORBITER
CO2 ABSORBER REPLACEMENT**
(5 Crewmembers/1 Shift/FD 1-6)

FLIGHT DAY	POS A	POS B	CK CMLPT
FD1 LAUNCH	1 *	2	
FD1 PRE SLEEP	3	"	
FD2 POST SLEEP	"	4	
FD2 PRE SLEEP	5	"	
FD3 POST SLEEP	"	6	
FD3 PRE SLEEP	7	"	
FD4 POST SLEEP	"	8	
FD4 PRE SLEEP	9	"	
FD5 POST SLEEP	"	10	
FD5 PRE SLEEP	11 *	12	
FD6 POST SLEEP	13	"	
FD6 PRE SLEEP	"	14	

(FLIGHT DAYS 7-12 ON BACK)

*Reseal LiOH cans #1/11/18/19/27
with Gray Tape and stow

ORB OPS-19a/nonRCRS/B

NOTE

Cue card not flown for missions manifesting RCRS
(reduced copy)

FAB USE ONLY

CC 15-33

ORB OPS/ALL/GEN K

TOP
 BACK OF 'SINGLE SHIFT ORBITER
 CO2 ABSORBER REPLACEMENT'

HOOK
 VELCRO

**SINGLE SHIFT ORBITER
 CO2 ABSORBER REPLACEMENT**
 (5 Crewmembers/1 Shift/FD 7-12)

FLIGHT DAY	POS A	POS B	CK CMPLT
FD7 POST SLEEP	15	"	
FD7 PRE SLEEP	"	16	
FD8 POST SLEEP	17	"	
FD8 PRE SLEEP	"	18 *	
FD9 POST SLEEP	19 *	20	
FD9 PRE SLEEP	21	"	
FD10 POST SLEEP	"	22	
FD10 PRE SLEEP	23	"	
FD11 POST SLEEP	"	24	
FD11 PRE SLEEP	25	"	
FD12 POST SLEEP	"	26	
FD12 PRE SLEEP	27 *	28	
FD13 POST SLEEP	29	"	

ORB OPS-19b/nonRCRS/B

(reduced copy)

FAB USE ONLY

CC 15-34

ORB OPS/ALL/GEN K

TOP

HOOK
VELCRO

**SINGLE SHIFT ORBITER
CO2 ABSORBER REPLACEMENT**
(6 Crewmembers/1 Shift/FD 1-6)

FLIGHT DAY	POS A	POS B	CK CMLPT
FD1 LAUNCH	1 *	2	
FD1 PRE SLEEP	3	"	
FD2 POST SLEEP	"	4	
FD2 PRE SLEEP	5 *	6	
FD3 POST SLEEP	7	"	
FD3 PRE SLEEP	"	8	
FD4 POST SLEEP	9	10	
FD4 PRE SLEEP	11	"	
FD5 POST SLEEP	"	12	
FD5 PRE SLEEP	13 *	14	
FD6 POST SLEEP	15	"	
FD6 PRE SLEEP	"	16	

(FLIGHT DAYS 7-12 ON BACK)

*Reseal LiOH cans #1/5/13/21/29
with Gray Tape and stow

ORB OPS-20a/nonRCRS/B

NOTE

Cue card not flown for missions manifesting RCRS
(reduced copy)

FAB USE ONLY

CC 15-35

ORB OPS/ALL/GEN K

TOP
 BACK OF 'SINGLE SHIFT ORBITER
 CO2 ABSORBER REPLACEMENT'

HOOK
 VELCRO

**SINGLE SHIFT ORBITER
 CO2 ABSORBER REPLACEMENT**
 (6 Crewmembers/1 Shift/FD 7-12)

FLIGHT DAY	POS A	POS B	CK CMLPT
FD7 POST SLEEP	17	18	
FD7 PRE SLEEP	19	"	
FD8 POST SLEEP	"	20	
FD8 PRE SLEEP	21 *	22	
FD9 POST SLEEP	23	"	
FD9 PRE SLEEP	"	24	
FD10 POST SLEEP	25	26	
FD10 PRE SLEEP	27	"	
FD11 POST SLEEP	"	28	
FD11 PRE SLEEP	29 *	30	
FD12 POST SLEEP	31	"	
FD12 PRE SLEEP	"	32	
FD13 POST SLEEP	33	34	
FD13 PRE SLEEP	35	"	
FD14 POST SLEEP	"	36	

ORB OPS-20b/nonRCRS/B

(reduced copy)

FAB USE ONLY

CC 15-36

ORB OPS/ALL/GEN K

TOP

HOOK
VELCRO

**SINGLE SHIFT ORBITER
CO2 ABSORBER REPLACEMENT**
(7 Crewmembers/1 Shift/FD 1-6)

FLIGHT DAY	POS A	POS B	CK CMPLT
FD1 LAUNCH	1*	2	
FD1 PRE SLEEP	3	"	
FD2 POST SLEEP	5	4*	
FD2 PRE SLEEP	"	6	
FD3 POST SLEEP	7	8	
FD3 PRE SLEEP	9	"	
FD4 POST SLEEP	11	10	
FD4 PRE SLEEP	"	12	
FD5 POST SLEEP	13	14	
FD5 PRE SLEEP	15	"	
FD6 POST SLEEP	17	16	
FD6 PRE SLEEP	"	18	

(FLIGHT DAYS 7-12 ON BACK)

*Reseal LiOH cans #1/4/21/22
with Gray Tape and stow

ORB OPS-21a/nonRCRS/B

NOTE

Cue card not flown for missions manifesting RCRS
(reduced copy)

FAB USE ONLY

CC 15-37

ORB OPS/ALL/GEN K

TOP
 BACK OF 'SINGLE SHIFT ORBITER
 CO2 ABSORBER REPLACEMENT'

HOOK
 VELCRO

**SINGLE SHIFT ORBITER
 CO2 ABSORBER REPLACEMENT**
 (7 Crewmembers/1 Shift/FD 7-12)

FLIGHT DAY	POS A	POS B	CK CMPLT
FD7 POST SLEEP	19	20	
FD7 PRE SLEEP	21 *	22 *	
FD8 POST SLEEP	23	24	
FD8 PRE SLEEP	"	25	
FD9 POST SLEEP	26	27	
FD9 PRE SLEEP	28	"	
FD10 POST SLEEP	30	29	
FD10 PRE SLEEP	"	31	
FD11 POST SLEEP	32	33	
FD11 PRE SLEEP	34	"	
FD12 POST SLEEP	36	35	
FD12 PRE SLEEP	"	37	
FD13 POST SLEEP	38	39	

ORB OPS-21b/nonRCRS/B

(reduced copy)

FAB USE ONLY

CC 15-38

ORB OPS/ALL/GEN K

TOP

HOOK
VELCRO

**SINGLE SHIFT ORBITER
CO2 ABSORBER REPLACEMENT**
(8 Crewmembers/1 Shift/FD 1-8)

FLIGHT DAY	POS A	POS B	CK CMPLT
FD1 LAUNCH	1	2	
FD1 PRE SLEEP	3	"	
FD2 POST SLEEP	4	5	
FD2 PRE SLEEP	6	7	
FD3 POST SLEEP	8	9	
FD3 PRE SLEEP	10	11	
FD4 POST SLEEP	12	13	
FD4 PRE SLEEP	14	15	
FD5 POST SLEEP	16	17	
FD5 PRE SLEEP	18	19	
FD6 POST SLEEP	20	21	
FD6 PRE SLEEP	22	23	
FD7 POST SLEEP	24	25	
FD7 PRE SLEEP	26	27	
FD8 POST SLEEP	28	29	
FD8 PRE SLEEP	30	31	

ORB OPS-22a/nonRCRS/B

NOTE

Cue card not flown for missions manifesting RCRS
(reduced copy)

FAB USE ONLY

CC 15-39

ORB OPS/ALL/GEN K

TOP
 BACK OF 'SINGLE SHIFT ORBITER
 CO2 ABSORBER REPLACEMENT'

HOOK
 VELCRO

**SINGLE SHIFT ORBITER
 CO2 ABSORBER REPLACEMENT**
 (8 Crewmembers/1 Shift/FD 9-14)

FLIGHT DAY	POS A	POS B	CK CMLPT
FD9 POST SLEEP	32	33	
FD9 PRE SLEEP	34	35	
FD10 POST SLEEP	36	37	
FD10 PRE SLEEP	38	39	
FD11 POST SLEEP	40	41	
FD11 PRE SLEEP	42	"	
FD12 POST SLEEP	43	44	
FD12 PRE SLEEP	45	46	
FD13 POST SLEEP	47	48	
FD13 PRE SLEEP	49	50	
FD14 POST SLEEP	51	52	

ORB OPS-22b/nonRCRS/B

(reduced copy)

FAB USE ONLY

CC 15-40

ORB OPS/ALL/GEN K

TOP

HOOK
VELCRO

URINE PRETREAT CHANGEOUT

NOTE

Caps will be transferred to used Oxone Hose Section (OHS). OHS is capped in 1 atm environment. Removal of caps during installation could be propulsive if cabin pressure < 14.7 psia

- Retrieve new OHS from large Ziplock Bag
- Remove Combitherm Bag from OHS
- Record H/N from OHS label and 'installed' MET on Cue Card for new OHS
- Remove caps from new OHS; temp stow
- Detach used OHS from prefilter housing and hose block extension
- Place caps on used OHS
- Place used OHS in Ziplock Bag labeled 'Trash'; stow in large Ziplock Bag
- Attach new OHS to prefilter housing and hose block extension

FD	OHS H/N	MET INSTALLED
1	N/A	N/A
2		
3		
4		
5		
6		
7		
8		
9		
10		
11		
12		
13		
14		
15		
16		

ORB OPS-23a/O/D

(reduced copy)

FAB USE ONLY

CC 15-41

ORB OPS/ALL/GEN K

TOP
BACK OF 'URINE PRETREAT CHANGEOUT'

HOOK
VELCRO

URINE PRETREAT SETUP

NOTE

Caps will be transferred to used Oxone Hose Section (OHS). OHS is capped in 1 atm environment. Removal of caps during installation could be propulsive if cabin pressure < 14.7 psia

Retrieve OHS kit, temp stow large Ziplock Bag
Retrieve new OHS from large Ziplock Bag
Remove Combitherm Bag from OHS
Record H/N from OHS label and 'installed' MET on Cue Card for new OHS
Remove caps from new OHS; temp stow
Detach empty urinal hose section from prefilter housing and hose block extension
Place caps on empty hose section
Fasten empty hose section to WCS via Velcro strap
Attach new OHS to prefilter housing and hose block extension

URINE PRETREAT ENTRY PREP

NOTE

Caps will be transferred to used Oxone Hose Section (OHS). OHS is capped in 1 atm environment. Removal of caps during installation could be propulsive if cabin pressure < 14.7 psia

Unfasten empty hose section from WCS
Remove caps from empty hose section; temp stow
Detach used OHS from prefilter housing and hose block extension
Place caps on used OHS
Place used OHS in Ziplock Bag labeled 'Trash'; stow in large Ziplock Bag
Attach empty hose section to prefilter housing and hose block extension
Record H/N from OHS label and 'installed' MET on Cue Card for empty hose section
Stow OHS kit for Entry

ORB OPS-23b/O/D

(reduced copy)

FAB USE ONLY

CC 15-42

ORB OPS/ALL/GEN K

CREW SYSTEMS REFERENCE (OOPS CD-1/ALL/A)

The Crew System Reference CD contains two Computer Based Training (CBT) lessons. This CD is authorized to be flown on every Shuttle flight for crew refresher while on orbit. It will be manifested as part of the FDF subassembly unless a crew specifically requests that it be omitted.

The CBT lessons are contained in two directories. The lessons and directories are described below for configuration control purposes.

Crew Escape Systems Review (May, 2001 Version 2A.2a)

Directory content: 302 files/12 folders

Directory size: 194 MB

File dates: 10/12/1998 – 6/8/2001

Crew Worn Equipment (May, 2001 Version 2A.2a)

Directory content: 307 files/11 folders

Directory size: 213 MB

File dates: 12/8/1995 – 6/11/2001

NOTE

The content of this CD is a duplicate of COSS Reference CD 7, Version Generic, 6/11/2001



This Page Intentionally Blank



FAB USE ONLY

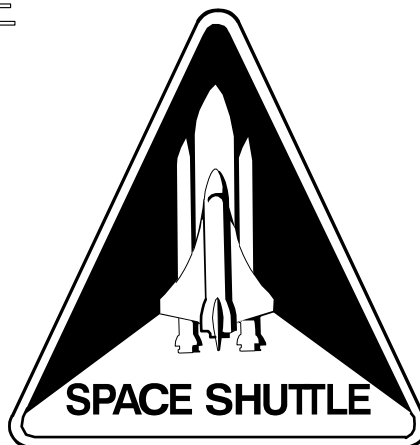
15-44

ORB OPS/ALL/GEN K



Space Shuttle Program
FLIGHT DATA FILE

JSC-48035
GENERIC, REV K



**ORBIT OPS
CHECKLIST**

**STS
ALL**

Flight Cover (trim bottom to expose tabs)