

Post Insertion

STS-123

**Mission Operations Directorate
Operations Division**

**Final
November 6, 2007**

National Aeronautics and
Space Administration

Lyndon B. Johnson Space Center
Houston, Texas



United Space Alliance

STS-123 POST INSERTION**FINAL (Nov 6, 2007)****PCN-2 (Feb 15, 2008) Sheet 1 of 1**

List of Implemented Change Requests (482s):

PI-824

Incorporate the following:

1. Replace iii & iv
2. Replace 1-13 & 1-14
3. Replace CC 3-3 & CC 3-4

Prepared by: Joseph J. Byrnie Jr.
Publication Manager

Approved by: Laura Langha
Manager, Shuttle Procedures Management

Accepted by: Michael R. Holt
FDF Manager

Encl: 6 pages

File this PCN immediately behind the front cover as a permanent record

STS-123 POST INSERTION

FINAL (Nov 6, 2007)

PCN-1 (Jan 16, 2008) Sheet 1 of 1

List of Implemented Change Requests (482s):

PI-819
PI-820
PI-822

Incorporate the following:

1. Replace iii & iv
2. Replace 1-13 & 1-14, 1-17 thru 1-28
3. Replace CC 3-3 & CC 3-4

Prepared by:



Publication Manager

Approved by:



Manager, Shuttle Procedures Management

Accepted by:



FDF Manager

Encl: 18 pages

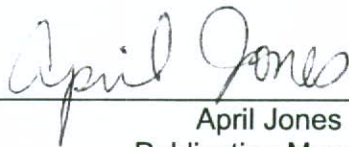
File this PCN immediately behind the front cover as a permanent record

MISSION OPERATIONS DIRECTORATE

**POST INSERTION
STS-123**

FINAL
November 6, 2007

PREPARED BY:



April Jones
Publication Manager

APPROVED BY:



Kimberly Johnson
Manager, Shuttle Procedures Management



Mike Hurt
Flight Data File Manager

This document is under the configuration control of the Crew Procedures Control Board (CPCB). All proposed changes must be submitted via FDF Workflow Crew Procedure Change Request (CR) to DO3/FDF Manager.

Additional distribution of this book, for official use only, may be requested in writing to DO3/PMO Administrator. The request must include justification and requester's name, organization, position, and phone number. Contractor requests are made through the NASA or DOD organization supported. Deletions, reduction in quantity, or change of address may be submitted to DO3/FDF Management Office, 281-244-1184.

Incorporates the following:
482#: PI-815

AREAS OF TECHNICAL RESPONSIBILITY

Publication Manager	DO3/A. Jones	281-483-1861
Alternate Publication Manager	DO3/C. Simon	281-483-0656
INCO	DS23/D. Brown	281-244-9058
EECOM	DS44/M. Fitzpatrick	281-483-0758
EGIL	DS43/G. Peck	281-244-7309
GNC	DS62/K. Dunn	281-483-2413
DPS	DS22/R. Montgomery	281-483-0416
P T/V	DX3/G. Kilgo	281-244-7926
Pointing	DO4/A. Lulich	281-483-7065

POST INSERTION
STS-123

LIST OF EFFECTIVE PAGES

FINAL 11/06/07
PCN-1 01/16/08
PCN-2 02/15/08

Sign Off	*	123/FIN	1-17	123/FIN 1
ii.....	*	123/FIN	1-18	123/FIN
iii.....	*	123/FIN 2	1-19	123/FIN
iv.....	*	123/FIN	1-20	123/FIN 1
v		123/FIN	1-21	123/FIN 1
vi.....		123/FIN	1-22	123/FIN 1
1-1		123/FIN	1-23	123/FIN 1
1-2		123/FIN	1-24	123/FIN 1
1-3		123/FIN	1-25	123/FIN 1
1-4		123/FIN	1-26	123/FIN 1
1-5		123/FIN	1-27	123/FIN 1
1-6		123/FIN	1-28	123/FIN 1
1-7		123/FIN	2-1	123/FIN
1-8		123/FIN	2-2	123/FIN
1-9		123/FIN	2-3	123/FIN
1-10		123/FIN	2-4	123/FIN
1-11		123/FIN	3-1	* 123/FIN
1-12		123/FIN	3-2	* 123/FIN
1-13		123/FIN 1	CC 3-3	* 123/FIN 1
1-14		123/FIN 2	CC 3-4	* 123/FIN 2
1-15		123/FIN	CC 3-5	* 123/FIN
1-16		123/FIN	CC 3-6	* 123/FIN

POST INSERTION CUE CARDS

<u>Title</u>	<u>Ref. Page</u>	<u>Card No.</u>
AFT FLIGHT DECK RECONFIGURATION (Front).....	CC 3-3	PI-1a/123/O/C
(Back)	CC 3-4	PI-1b/123/O/B
MIDDECK RECONFIGURATION (Front).....	CC 3-5	PI-2a/123/O/A
(Back)	CC 3-6	PI-2b/123/O/A

* – Omit from flight book

This Page Intentionally Blank

CONTENTS

PAGE

POST INSERTION PROCEDURES	1-1
ON-ORBIT SWITCH LIST	1-17
ORBIT 5/6 DEORBIT	2-1
CUE CARD CONFIG	3-1

NOTE

The STS-123 Post Insertion contains the nominal procedures from:

MET (DAY/HR:MIN)
000/00:51 TO 000/02:30 – POST INSERTION (Section 1)

The remaining STS-123 flight phases are conducted using the Ascent Checklist, Flight Plan, Deorbit Prep Book, Entry Checklist, EVA Checklist, and Rendezvous Book.

POST INSERTION PROCEDURES

MET
DAY 000
00:30
TRANS
DAP
AUTO
RT 0.5
DB 3.5

00:35

00:40

00:45

00:50

00:55
A1(B1)
AUTO
PRI
RT 0.2
DB 5.0

01:00

Ref ASC for activities from 00:00-00:50 MET

MEMORY CONFIGURATION TABLE				
CONFIG	1	2	3	4(5)
OPS	G1, G6	G2	G3	SM
GPC SEL	1,2,3,4	1,2	1,2,3,4	4
STR	1 1 2 2 3 3 4 4	1 1 2 2 1 1 2 2	1 1 2 2 3 3 4 4	0 0 0 0
P/L	1/2 1	0	1	4
CRT	1 1 2 2 3 3 4 0	1 1 2 2 0 0 2 0	1 1 2 2 3 3 0 0	4 4 0 4
L	1 1 2 2	0 0	0 0	4 0
MM	1 1 2 2	1 1 2 2	1 1 2 2	4 4

- 1: GNC OMS 2 MNVR COAST
- 2: GNC OMS 2 MNVR COAST
- 3: BFS, SYS SUMM 2

- C L4:B,Q,R All cbs closed
L4:D,E All cbs open
L4:J cb AC3 φA SIG CONDR HUM SEP – cl
B SIG CONDR IMU FAN – cl
- MS **SPECIALIST SEAT EGRESS**
- C,P **CONFIG GPCs FOR OPS 2** [1], 1-2
(USE DUAL G2 CONFIG)
If two PASS GPCs failed, √MCC
If BFS engaged: Go to MAL, DPS, GPC FRP-4
- P R1 **PL BUS ACTIVATION**
PL CAB – MNA
AUX – ON
AFT MNB – ON
- MS **PRELIM MIDDECK CONFIG** (MID Cue Card) [2], 1-15
- MS **AFT STATION CONFIG** (AFT Cue Card) [3], 1-13

- CRTX 6. **TRANSITION TO SM OPS 201(401)**
SM, GPC/CRT SM GPC/X EXEC
[X: SM GPC MEMORY]
CONFIG – ITEM 1 +4(5) EXEC
Modify MC 4(5) per table →
- C3 √UPLK – ENA
SM 1 DPS UTILITY
UL CNTL AUTO – ITEM 35 EXEC
- C3 7. **SECURE BFS**
BFC CRT DISP – ON
C3 BFS, GNC, OPS 000 PRO
CRT3 [3: BFS, BFS MEMORY]
C3 BFC CRT DISP – OFF
√All IDPs deassigned from BFS
- O6 GPC MODE 5 – STBY (tb-RUN)
- C2 8. **RECONFIG MEDs**
GPC/CRT 0/3 EXEC
IDP/CRT 3 PWR – OFF
√4 PWR – ON
- F6,F7,F8 GPC/CRT SM GPC/4 EXEC
Power off MDUs as desired
- C3 9. **LOAD ORBIT TFLs**
√OI PCMMU FORMAT – GPC
[SM 62 PCMMU/PL COMM]
FORMAT:
CRT FXD – ITEM 1 EXEC (*)
SEL ID – ITEM 3 +1 8 8 EXEC
LOAD – ITEM 4 EXEC
– √RUN, CPLT
SEL ID – ITEM 3 +1 0 3 EXEC
LOAD – ITEM 4 EXEC
– √RUN, CPLT
PGM – ITEM 2 EXEC
[SM ANTENNA]

	CONFIG GPC	4(5) 00040
STR	1	0
	2	0
	3	0
	4	0
PL	1/2	4
CRT	1	4
	2	4
	3	0
	4	4
L	1	4
	2	0
MM	1	4
	2	4

10. RECONFIG GPCs

O6 GPC MODE 5 – HALT (tb-bp)
 OUTPUT 5 – NORM (tb-bp)
 OUTPUT (SM GPC) – TERM (tb-bp)

If no failed GPC:

√All IDPs deassigned from FD GPC
 GPC MODE (FD GPC) – STBY (tb-bp)
 – HALT (tb-bp)
 – STBY (tb-RUN)
 – HALT (tb-bp)

If single G2 reqd:

IDP/CRTX MAJ FUNC – PL
 GPC/CRT 2/X EXEC

X: PL GPC MEMORY

CONFIG – ITEM 45 +2 EXEC
 GPC – ITEM 46 +2 EXEC
 STORE – ITEM 47 EXEC
 Store complete when MC = 2 (~30 sec)

√All IDPs deassigned from FD GPC
 GPC MODE 2 – STBY (tb-bp)
 – HALT (tb-bp)
 – STBY (tb-RUN)
 – HALT (tb-bp)

Perform ERR LOG RESET

GNC 0 GPC MEMORY

ITEM 48 EXEC

SM 0 GPC MEMORY

ITEM 48 EXEC

If PASS GPC failed from ASCENT and dual
 G2 reqd, use G2FD to form G2 RS:

GNC 0 GPC MEMORY

CONFIG – ITEM 1 +2 EXEC

Modify MC 2 per table

GNC, OPS 201 PRO

GNC UNIV PTG

If PASS GPC failed from ASCENT and single
 G2 reqd:

√All IDPs deassigned from FD GPC
 GPC MODE (FD GPC) – STBY (tb-bp)
 – HALT (tb-bp)
 – STBY (tb-RUN)
 – HALT (tb-bp)

If GPC failed from ASCENT,
 Perform MAL, DPS, GPC FRP-1 as time permits

CONFIG GPC	2 XY
STR 1	X
2	Y
3	X
4	Y
PL 1/2	0
CRT 1	X
2	Y
3	0
4	Y
L 1	0
2	0
MM 1	X
2	Y

C2
 CRTX

CRT

PI LOCKER

When all GPC switch configuration complete,
 unstow, install GPC MODE switchguard

STAR TRKR ACTIVATION/DOOR OPEN 12

C O6 S TRK PWR (two) – ON
GNC I/O RESET

S TRK DR CNTL SYS (two) – OP (start timer)
√POS tb (two) – bp

When both tb – OP (8-24 sec), or either tb – bp for > 24 sec,
CNTL SYS (two) – OFF

* If tb – bp > 8 sec, notify MCC *

1: GNC 22 S TRK/COAS CNTL
STAR TRK – ITEM 3,4 EXEC
1: GNC 21 IMU ALIGN
RESUME

ELBOW CAMR PICTURE 20

Document Elbow Camr position via DSC760 photo from W10 per the following:
Lens, 28-70 mm set at 70 mm (stowed in Vol 3B)
Exp Mode – P
√Meter – Matrix
Sun(Earth)shine reqd

SUPPLY WATER CONFIG 14

NOTE
Do not perform until blocks 5 and 6 are performed

R11L SPLY H2O DUMP ISOL VLV – OP (tb-OP)
√XOVR VLV – CL (tb-CL)
TKB INLET – CL (tb-CL)
TKA OUTLET – OP (tb-OP)

ML86B:A cb MNB SPLY H2O TKB INLET – op
MNC SPLY H2O XOVR VLV – op

MET		1: GNC UNIV PTG	2: SM PL BAY DOORS
DAY 000		4: SM PL BAY DOORS	
01:30			
A5(B1)			
AUTO			
ALT			
RT 0.2			
DB 5.0			
01:35	MCC & CREW:	GO for orbit ops	
	C O6	UHF MODE sel – OFF	
	MS	KU-BD ANT DEPLOY (ORB OPS, COMM/INST)	
		KU-BD ANT ACTIVATION (ORB OPS, COMM/INST)	
	C,P	SEAT EGRESS	
01:40	C,P	CLOTHING CONFIG 9	
	MS	CLOTHING CONFIG (MID,AFT Cue Cards) 10, 1-14, 1-15	
01:45	ALL	QUICKDON MASKS SETUP 19	
		If time permits: OCAC SETUP (ORB OPS, CREW SYS)	
01:50	C	POST PLBD OPS RAD CONFIG 11	
	MS	SPECIALIST SEAT REMOVAL/STOWAGE	
01:55	C	STAR TRKR ACTIVATION/DOOR OPEN 12, 1-6	
	MS	ESCAPE POLE STOWAGE (MID Cue Card) 13, 1-16	
	P	SUPPLY WATER CONFIG 14, 1-6	
02:00			

CLOTHING CONFIG 9

Doff, stow:
 Harness, Boots, LES
 Stow gloves in Helmet
 Remove radiation dosimeter from LES and insert in inflight garments

Doff, stow in Wet Trash:
 UCD (clamp if used)
 Emesis Bag, if used (unstow new bag)

POST PLBD OPS RAD CONFIG 11

C 1: SM 88 APU/ENVIRON THERM

NOTE
 FREON LOOP RAD OUT temps will not drop to normal operating range (< 60 deg) until ~15 min after doors are opened

L1 NH3 CNTLR B(A) – OFF
 √RAD BYP VLV tb (two) – RAD
 H2O LOOP 2 BYP MODE – AUTO

CRT1 When FREON LOOP RAD OUT T < 60 deg:
 L1 HI LOAD EVAP – OFF

1: GNC UNIV PTG

QUICKDON MASKS SETUP 19

Connect QDM COMM to HIU
 Connect QDM O2 to LEH hose
 Verify operation
 Temp stow QDM/HIU assembly

This Page Intentionally Blank

MET		1: GNC UNIV PTG	2: SM ANTENNA
DAY 000		4: SM ANTENNA	
02:00	MS	AIRLOCK SETUP FOR INGRESS (MID Cue Card) 15 , 1-16	
A5(B1)	P	W/B STEAM VENT HTR ACT	
AUTO		R2	√BLR CNTLR/HTR (three) – A
ALT			PWR (three) – ON
RT 0.2			
DB 5.0			
02:05	C	CONFIG VERNIER CONTROL	
A5(B1)	O16:F	√MCC GO for vernier control	
AUTO		RJD MANF L5/F5/R5 DRIVER – ON, wait 5 sec	
VERN		DAP: A/AUTO/VERN	
RT 0.05			
DB 1.0			
02:10			
	ALL	CONFIG CONTROLS FOR ON-ORBIT	
		Perform actions on 1-17 thru 1-25 1-27	
		Unstow, install HUD covers (two)	
02:15	L2	Remove, stow (on PNL L2/FDF FD locker) NWS sw flex extension	
	P	HYD THERMAL CONDITIONING-ENABLE	
	R2	HYD CIRC PUMP (three) – GPC	
02:20			
	MS	RESET C/W (AFT Cue Card) 16 , 1-14	
02:25			
	MS	FUEL CELL VI PERFORMANCE PLOT (ORB OPS, EPS)	
02:30		Stow POST INSERTION, go to FLIGHT PLAN, <u>FLT DAY 1</u>	

P & I

This Page Intentionally Blank

DETAILED PLBD OPENING PROCEDURES 18

- | | | |
|------|--|---|
| R13L | <ul style="list-style-type: none"> * If no motion determined visually or 'OP/CL' not blank within 10 sec * after cmd, * PL BAY DR – STOP, perform MAL, <u>MECH</u>, 9.1a * If latch not 'OP' in single mtr time, * PL BAY DR – STOP, perform MAL, <u>MECH</u>, 9.1d * If door motion stops and not 'OP', * PL BAY DR – STOP, perform MAL, <u>MECH</u>, 9.1f * If SM GPC fails during this operation, * PL BAY DR SYS (two) – DSBL * – STOP * Perform PASS SM GPC FAIL (ORB PKT, <u>DPS</u>) | *
*
*
*
*
*
*
*
*
*
* |
|------|--|---|

CAUTION

Use MANUAL mode for subsequent BFS PLBD ops if BFS AUTO sequence has been interrupted by reversing latch/door drive direction or if MANUAL mode has already been used during mission

NOTE

Note any single mtr operations (continue ops)
(single mtr times = 2X listed dual motor times).

If one mtr in each of two separate latch gangs fails:
PL BAY DR – STOP
√MCC

AUTO PLBD OPENING PROCEDURE

- | | |
|----------------------------------|---|
| MS CRT4 | 1. SM, OPS 202 PRO or BFS, SM 63 PL BAY DOORS
4: SM PL BAY DOORS |
| R13L
CRT4 | √PL BAY DR – STOP
√PBD SW – STOP
√MAN SEL (ten) – (no *)
√PBD SW BYPASS – (no *) |
| R13L
CRT4 | 2. AC POWER ON – ITEM 1 EXEC (*)
3. AUTO MODE SEL – ITEM 3 EXEC (*) |
| R13L
CRT4
R13L
CRT4 | 4. PL BAY DR SYS (two) – ENA
√OP/CL STATUS (ten) – CL
5. PL BAY DR – OP
√CENTER LATCHES 5-8,9-12 (two) – blank,OP (~20 sec)
√1-4,13-16 (two) – blank,OP (~20 sec)
√STBD FWD,AFT LATCHES (two) – blank,OP (~30 sec)
√DOOR – RDY,blank,OP (~63 sec)
√PORT FWD,AFT LATCHES (two) – blank,OP (~30 sec)
√DOOR – RDY,blank,OP (~63 sec) |
| R13L | 6. PL BAY DR – STOP |
| POST-PLBD OPENING CLEANUP | |
| CRT4 | 7. PL BAY DOOR SYS (two) – DSBL
√OP/CL STATUS (ten) – OP |
| A7U | 8. AC POWER OFF – ITEM 2 EXEC (*)
9. SM, OPS 201 PRO (if PASS SM)
4: SM ANTENNA
10. After floodlights ON > 10 min:
PL BAY FLOOD (all) – OFF |

MANUAL PLBD OPENING PROCEDURE

- | | |
|---|---|
| MS CRT4 | 1. SM, OPS 202 PRO or BFS, SM 63 PL BAY DOORS
4: SM PL BAY DOORS |
| R13L
CRT4 | √PL BAY DR – STOP
√PBD SW – STOP
√MAN SEL (ten) – (no *)
√PBD SW BYPASS – (no *) |
| R13L
CRT4 | 2. AC POWER ON – ITEM 1 EXEC (*)
√AUTO MODE SEL – (no *) |
| R13L
CRT4 | 3. PL BAY DR SYS (two) – ENA
√OP/CL STATUS (ten) – CL |
| OPEN C/L LATCHES | |
| R13L
CRT4 | 4. Select CENTER LATCHES 5-8,9-12 – ITEM 4,5 EXEC (*)
5. PL BAY DR – OP
√CENTER LATCHES 5-8,9-12 (two) – blank,OP (~20 sec) |
| R13L
CRT4 | 6. PL BAY DR – STOP
7. Deselect CENTER LATCHES 5-8,9-12 – ITEM 4,5 EXEC (no *)
8. Select CENTER LATCHES 1-4,13-16 – ITEM 6,7 EXEC (*) |
| R13L
CRT4 | 9. PL BAY DR – OP
√CENTER LATCHES 1-4,13-16 (two) – blank,OP (~20 sec) |
| R13L
CRT4 | 10. PL BAY DR – STOP
11. Deselect CENTER LATCHES 1-4,13-16 – ITEM 6,7 EXEC (no *) |
| OPEN STBD FWD,AFT LATCHES & DOOR | |
| R13L
CRT4 | 12. Select STBD FWD,AFT LATCHES – ITEM 8,9 EXEC (*)
13. PL BAY DR – OP
√STBD FWD,AFT LATCHES (two) – blank,OP (~30 sec) |
| R13L
CRT4 | 14. PL BAY DR – STOP
15. Deselect STBD FWD,AFT LATCHES – ITEM 8,9 EXEC (no *)
16. Select STBD DOOR – ITEM 10 EXEC (*) |
| R13L
CRT4 | 17. PL BAY DR – OP
√STBD DOOR – RDY,blank,OP (~63 sec) |
| R13L
CRT4 | 18. PL BAY DR – STOP
19. Deselect STBD DOOR – ITEM 10 EXEC (no *) |
| OPEN PORT FWD,AFT LATCHES & DOOR | |
| R13L
CRT4 | 20. Select PORT FWD,AFT LATCHES – ITEM 11,12 EXEC (*)
21. PL BAY DR – OP
√PORT FWD,AFT LATCHES (two) – blank,OP (~30 sec) |
| R13L
CRT4 | 22. PL BAY DR – STOP
23. Deselect PORT FWD,AFT LATCHES – ITEM 11,12 EXEC (no *)
24. Select PORT DOOR – ITEM 13 EXEC (*) |
| R13L
CRT4 | 25. PL BAY DR – OP
√PORT DOOR – RDY,blank,OP (~63 sec) |
| R13L
CRT4 | 26. PL BAY DR – STOP
27. Deselect PORT DOOR – ITEM 13 EXEC (no *) |
| POST-PLBD OPENING CLEANUP | |
| R13L
CRT4 | 28. PL BAY DR SYS (two) – DSBL
√OP/CL STATUS (ten) – OP |
| A7U | 29. AC POWER OFF – ITEM 2 EXEC (*)
30. SM, OPS 201 PRO (if PASS SM)
4: SM ANTENNA
31. After floodlights ON > 10 min:
PL BAY FLOOD (all) – OFF |

FUNCTION	PLBD CONTROL								PLBD DISPLAY MDM								
	Ref: MA73C:C&D for MCA cbs																
	MTR 1				MTR 2				C	C	O	O	C	R	R	R	O
	AC/ MCA	CNTL	MDM	SYS	AC/ MCA	CNTL	MDM	SYS	A	B	A	B	A	B	C		
LATCH																	
5-8	1/MID3	AB3/AB2	PL1	2	3/MID2	CA3/CA1	PL2	1	1	2	1	2					
9-12	1/MID1	AB3/AB1	PL1	1	3/MID4	CA3/CA2	PL2	2	1	2	1	2					
1-4	1/MID3	AB3/AB2	PL1	2	3/MID2	CA3/CA1	PL2	1	1	2	1	2					
13-16	3/MID4	CA3/CA2	PL2	2	2/MID2	BC3/BC1	PL1	1	2	1	2	1					
S FWD	1/MID1	AB3/AB1	PL1	1	2/MID4	BC3/BC2	PL2	2	1	2	1	2					
S AFT	3/MID4	CA3/CA2	PL2	2	2/MID2	BC3/BC1	PL1	1	2	1	2	1					
S DOOR	1/MID1	AB3/AB1	PL1	1	2/MID4	BC3/BC2	PL2	2					1	1	2	2	1
													2	1	2	2	2
P FWD	1/MID1	AB3/AB1	PL1	1	2/MID4	BC3/BC2	PL2	2	1	2	1	2					
P AFT	1/MID3	AB3/AB2	PL1	2	3/MID2	CA3/CA1	PL2	1	1	2	1	2					
													2	1	1	2	2
P DOOR	3/MID4	CA3/CA2	PL2	2	2/MID2	BC3/BC1	PL1	1					1	1	1	2	1

ON-ORBIT SWITCH LIST

LEFT SEAT

L1..... 1-19
 L2..... 1-19

 O6..... 1-19
 O7 1-20
 O8..... 1-21

 O14..... 1-22
 O15..... 1-23

RIGHT SEAT

O16..... 1-23
 O8 1-21

 R1 1-18

AFT

C5 1-23
 C6 1-23
 C7 1-23









 A11..... 1-24

MIDDECK-FWD

ML86B..... 1-26

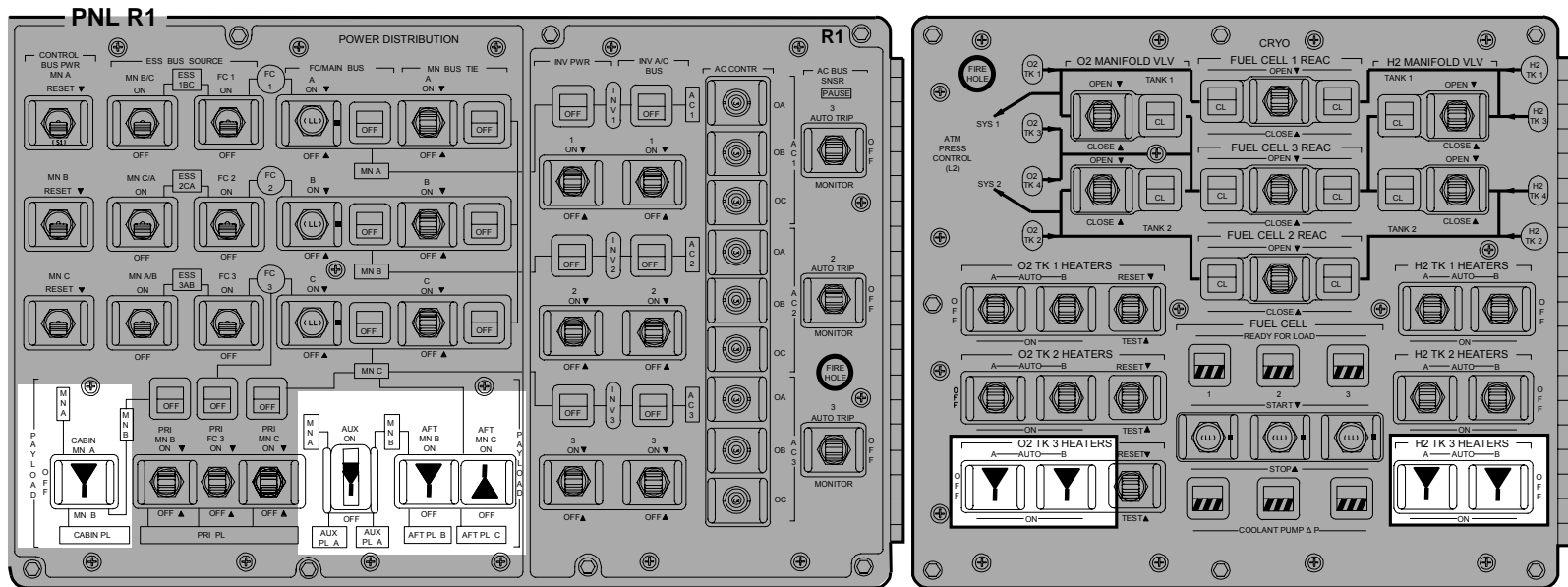
MIDDECK-AFT

MA73C 1-26
 MO32M 1-25
 MO69M 1-25
 MO63P 1-27

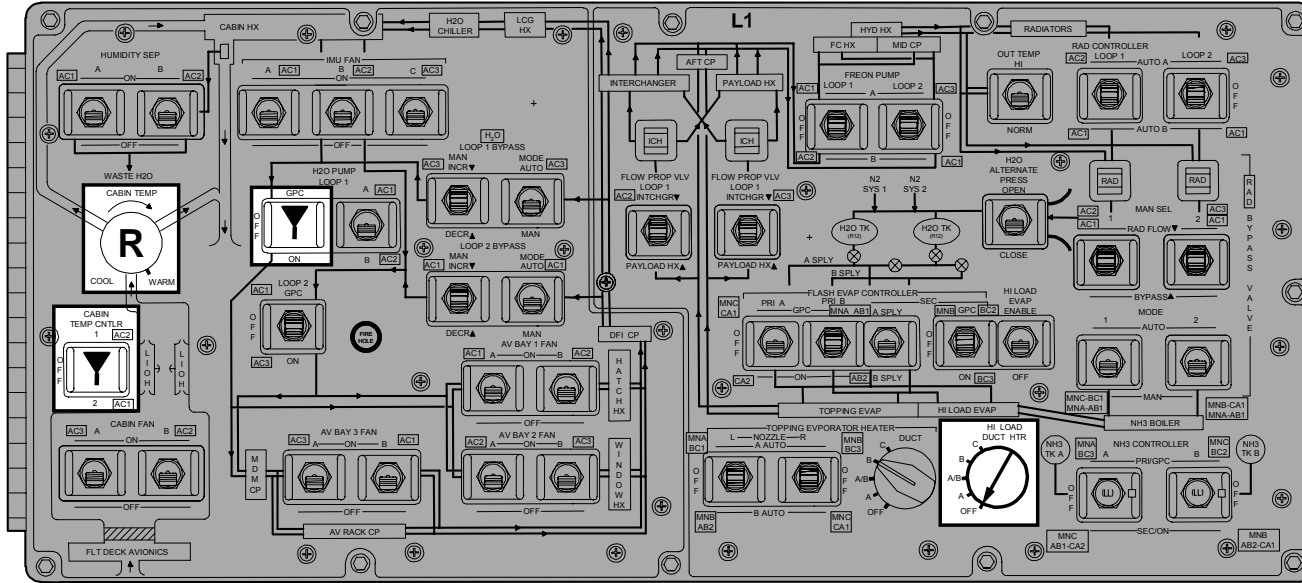
 - Up	R - As reqd	 - Indicates switch/display not checked during ON-ORBIT SWITCH/VERIF
 - Center	 - cb close	Switch/display pictorials are generic representations and are not intended to depict actual switch position. Check MCC if clarification reqd
 - Down	 - cb open	
 - Boxed items indicate switch configured during ON-ORBIT CONFIGURATION	 - White area indicates switch verified during ON-ORBIT SWITCH CONFIGURATION	

<u>CIRCUIT BREAKER SNAP RING COLOR CODES</u>	
<u>COLOR</u>	<u>CONFIGURATION</u>
Red	Open at all times
Green	Open on-orbit only
Yellow	Open ascent, close per procedure
Orange	Open orbit through entry
Blank (no ring)	Always closed or as required

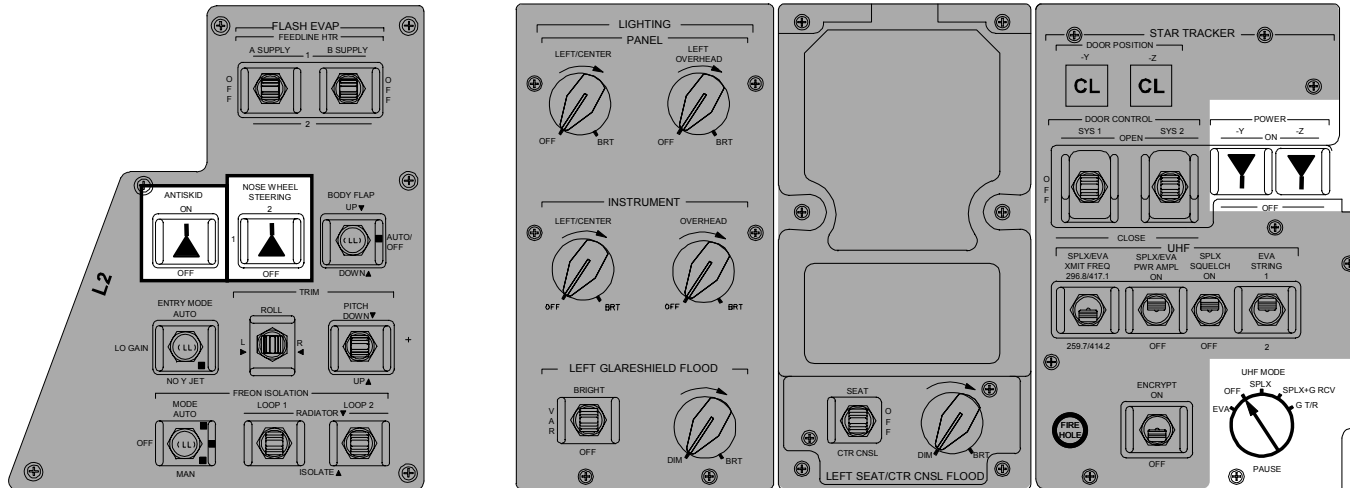
ALL VEH



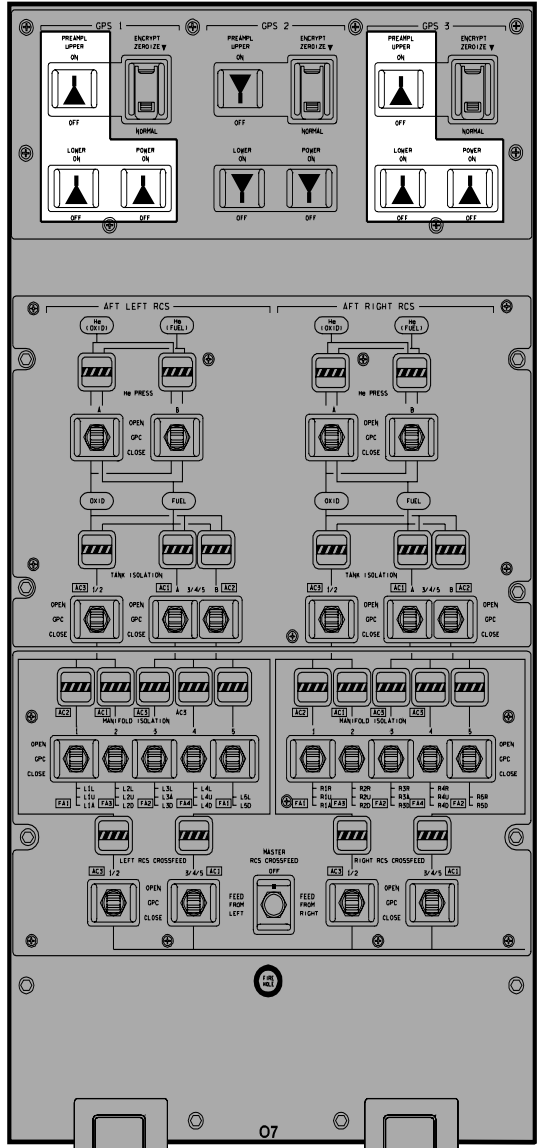
ALL VEH



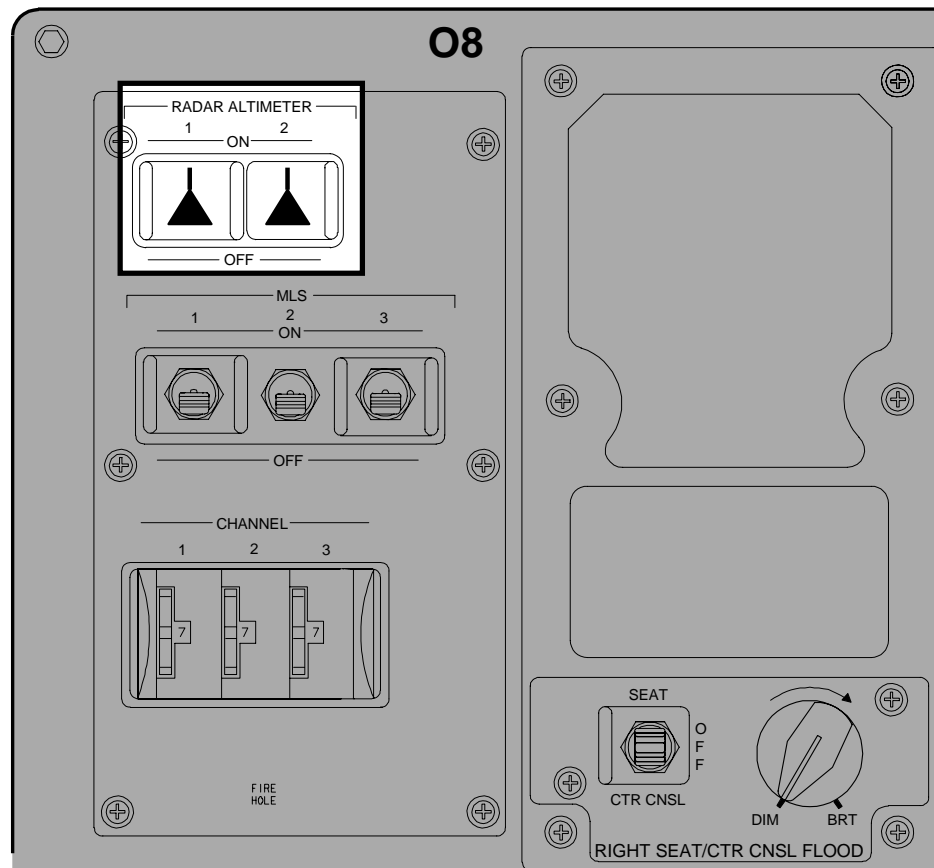
PNL O6



PNL 07

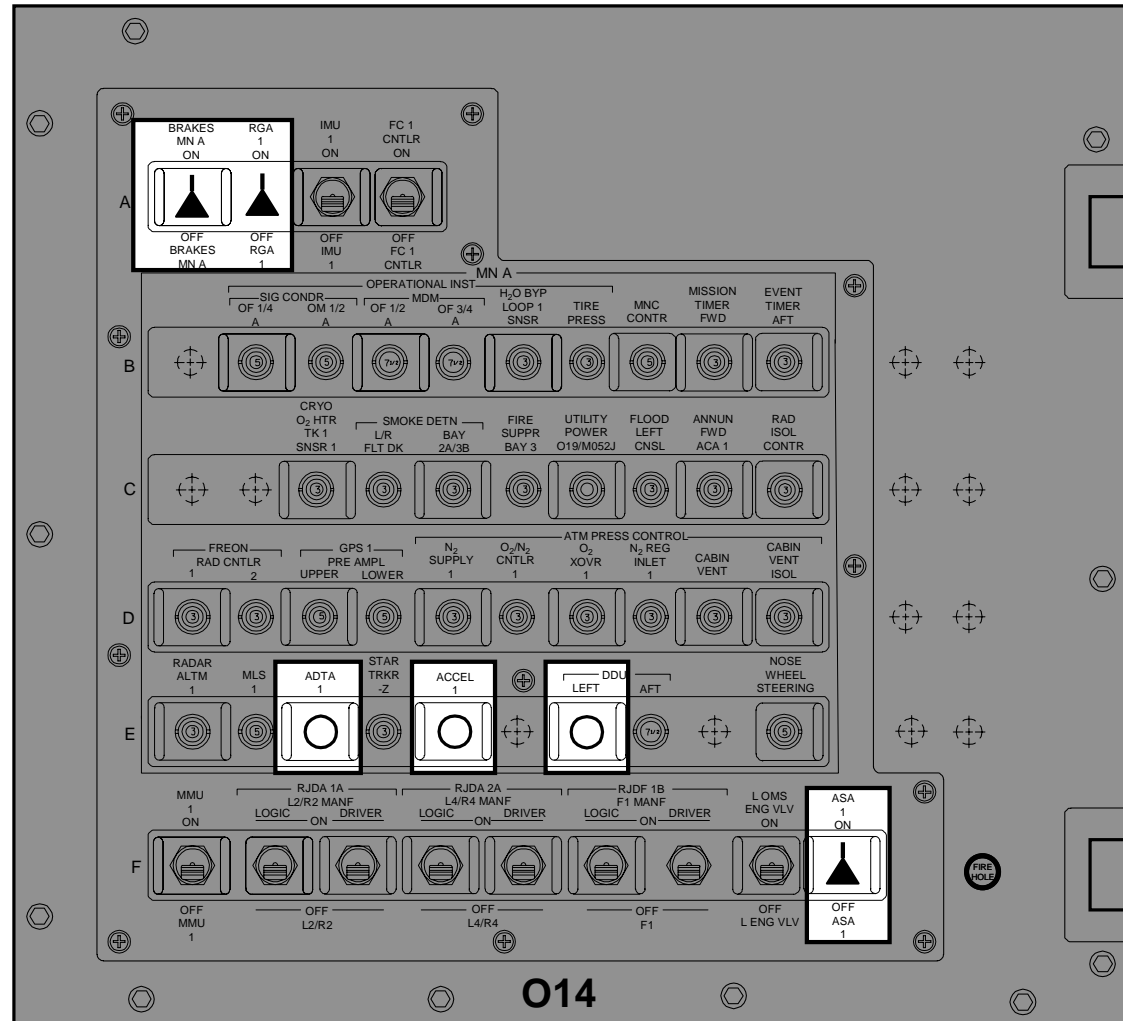


OV105



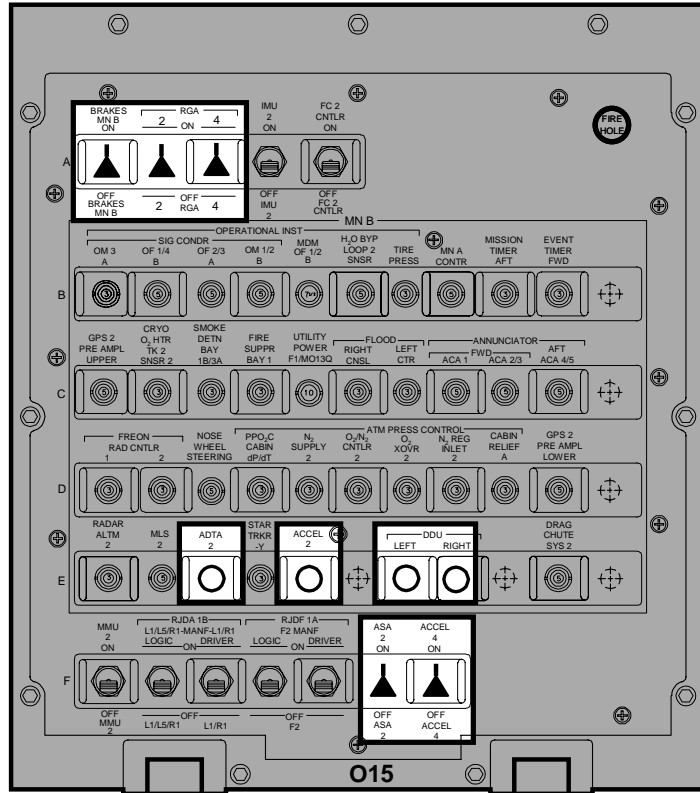
OV105

PNL O14

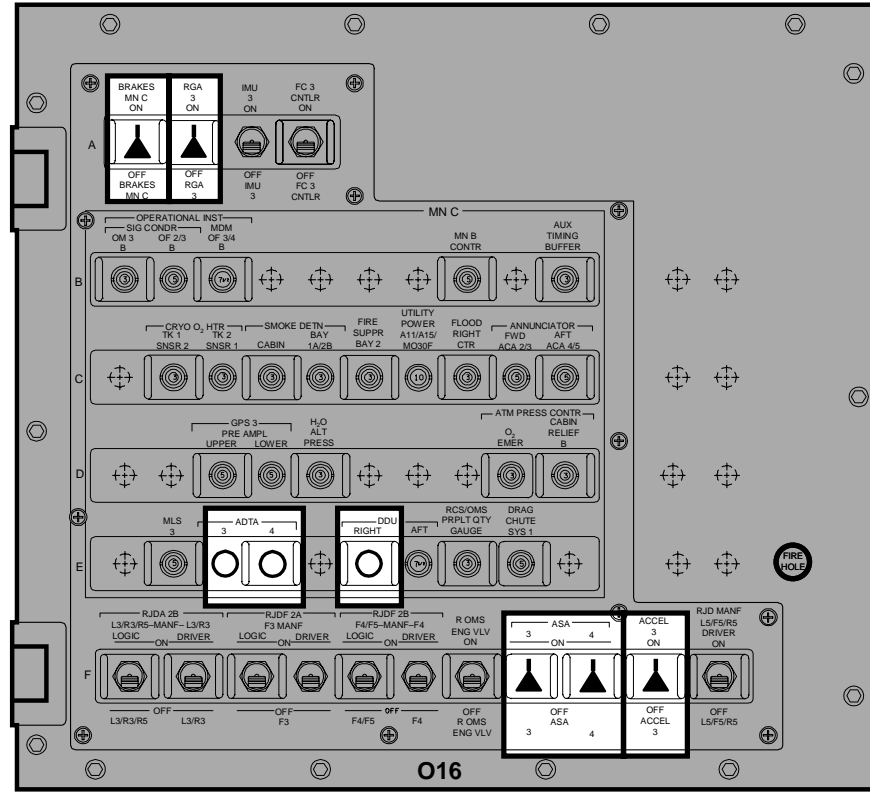


OV105

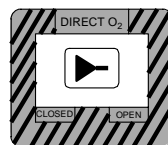
PNL O15



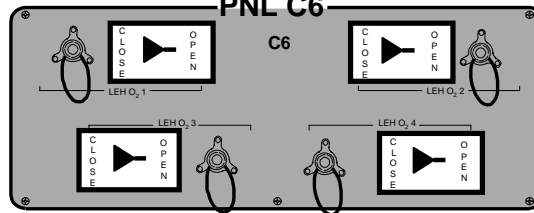
PNL O16



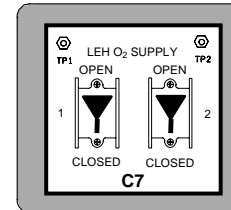
PNL C5



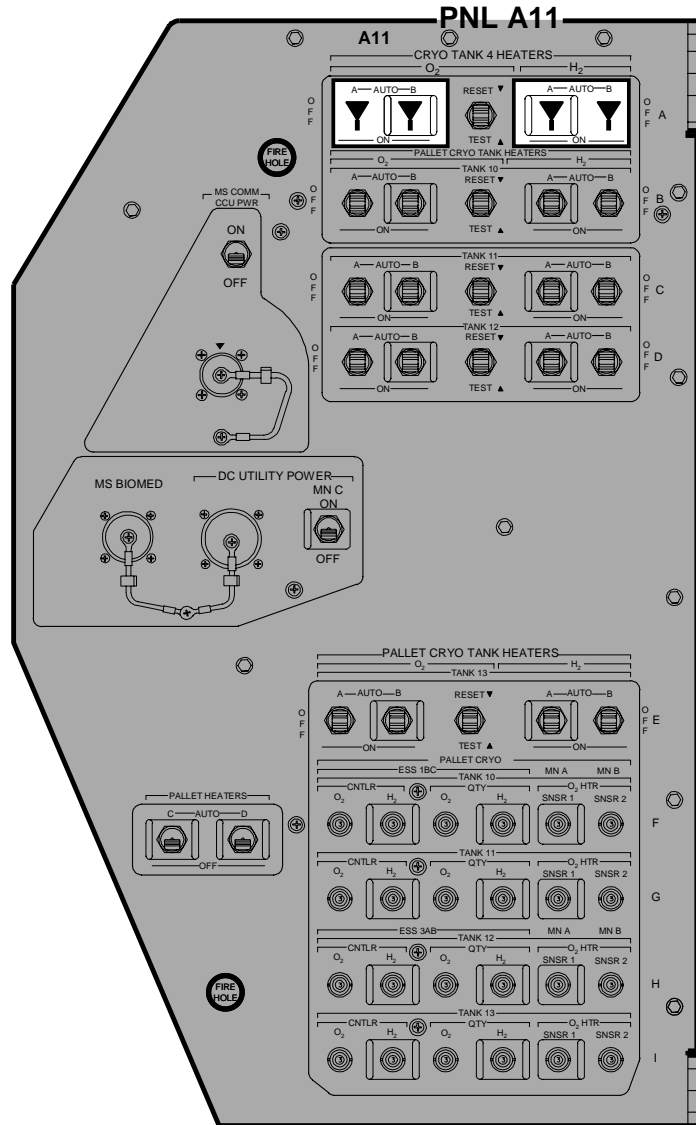
PNL C6



PNL C7



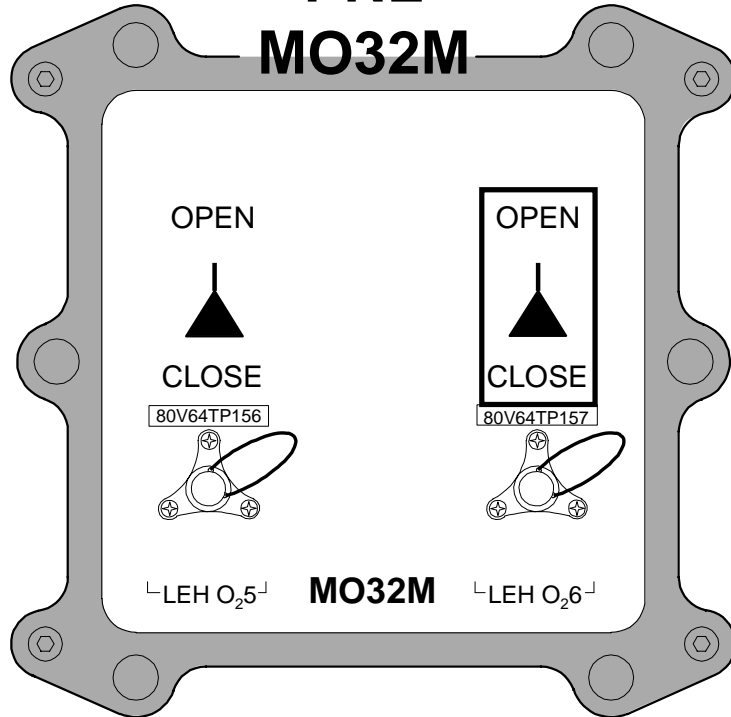
OV105



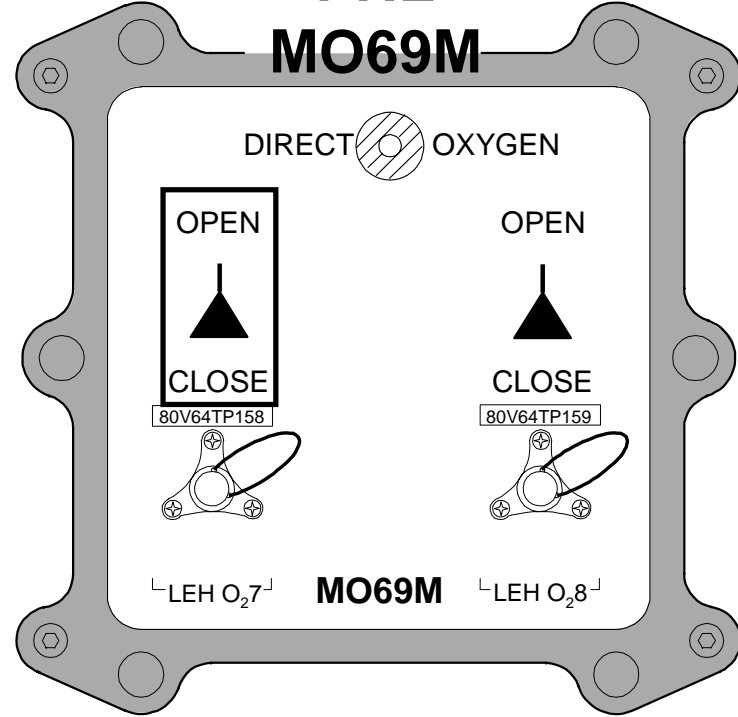
4806724_123.PNL.1

OV103,OV105

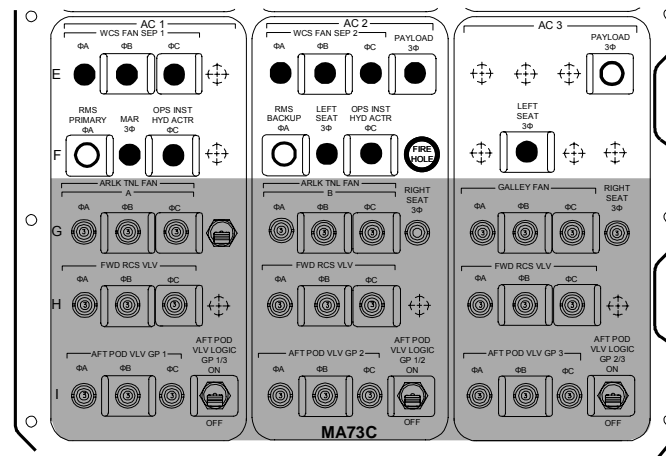
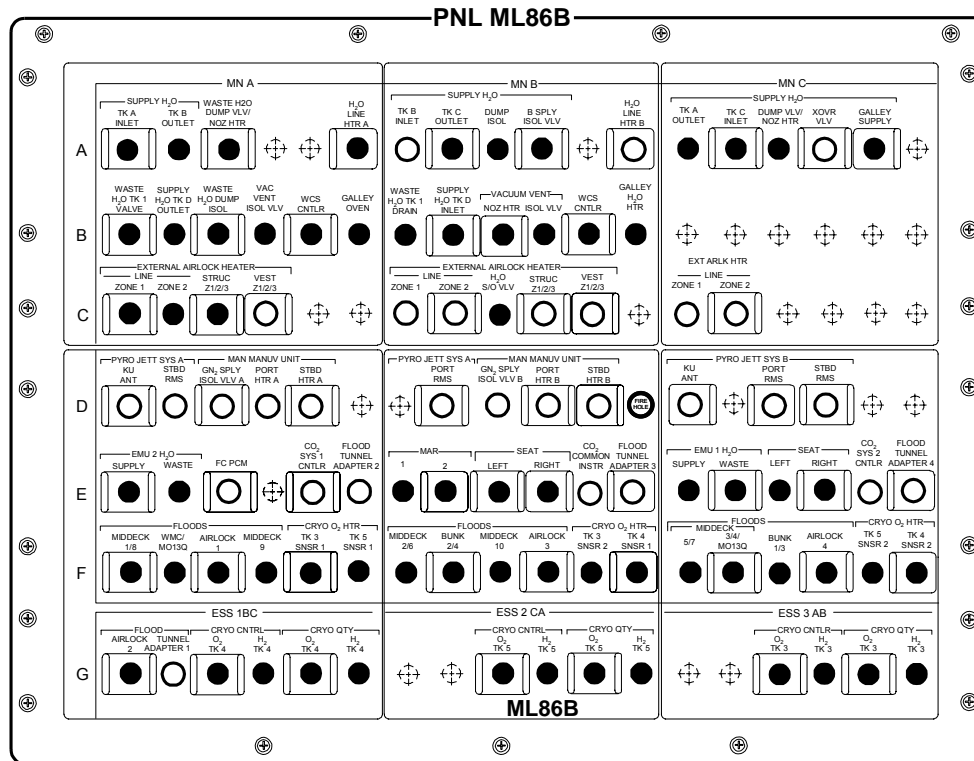
PNL MO32M



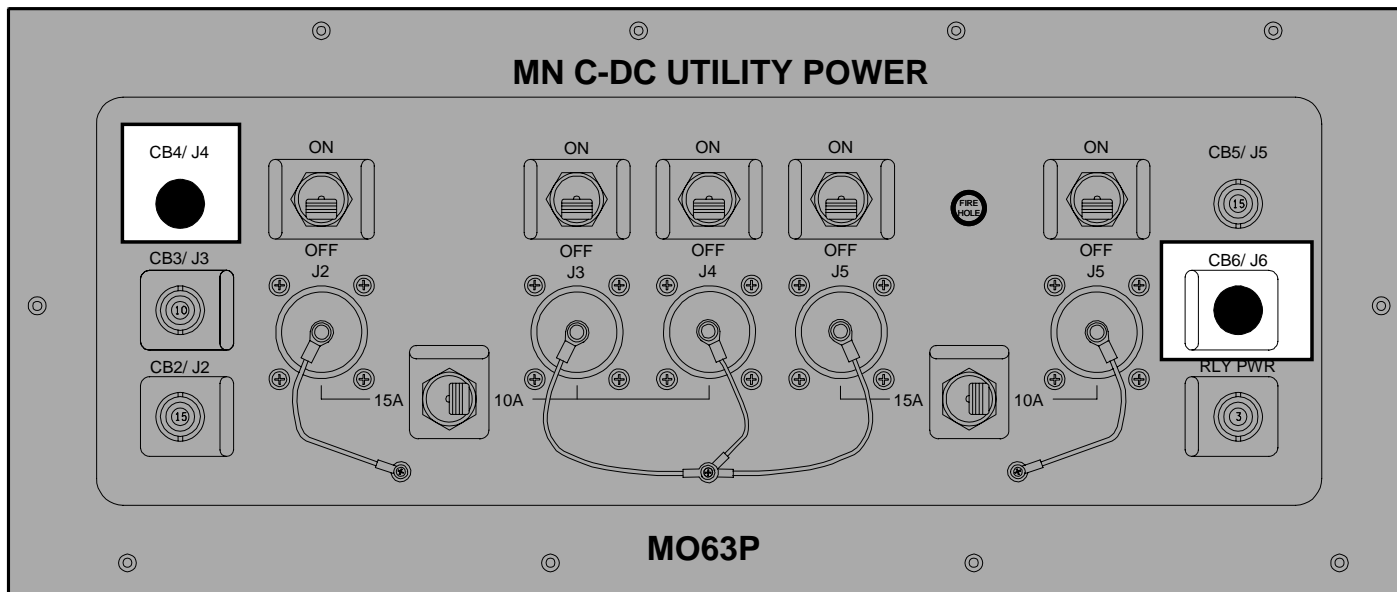
PNL MO69M



OV105



PNL MO63P



This Page Intentionally Blank

ORBIT 5/6 DEORBIT

This Page Intentionally Blank

**PEN AND INKS TO NOMINAL POST
INSERTION FOR ORBIT 5/6 DEORBIT**

WARNING

If AV BAY FIRE (ASC PKT, PWRDN or ORBIT PKT, PWRDN) has been completed and the associated AC BUS, FF MDM, or FMCA is not recovered, √MCC for Vent Door config. Certain failure combinations will cause multiple vent doors to remain open during entry

MET	ACTIVITY
ASAP	<p>Perform PRIORITY PWRDN GROUPS A & B (ORB PKT, <u>PRIOR PWRDN</u>) with following deltas:</p> <p style="padding-left: 40px;">DELETE: HI LOAD DUCT HTR OFF in Group A Pwrdn PRI RJDs DRIVER & LOGIC OFF in Group B Pwrdn</p> <p>When PRIORITY PWRDN is complete, return to Nominal Post Insertion, 1-5, completing all activities except the following:</p> <p style="padding-left: 40px;">MET 1:28 OPEN PLBDs MET 1:36 KU-BD ANT DEPLOY KU-BD ANT ACTIVATION MET 1:52 POST PLBD OPS RAD CONFIG MET 1:54 SPECIALIST SEAT REMOVAL/STOWAGE MET 1:57 ESCAPE POLE STOWAGE MET 2:01 AIRLOCK SETUP FOR INGRESS MET 2:05 CONFIG VERNIER DRIVERS</p>
1:00	<p><u>If Both Voice and Command Unavailable:</u> Perform GPS INCORPORATION (ORB OPS, <u>GNC</u>)</p>
2:12	<p><u>CONFIG CONTROLS FOR ON-ORBIT</u>, 1-17 thru 1-26 (SWITCH PICTORIALS) <u>NOTE:</u> Some of these switch throws will have been done during PRIORITY POWERDOWNS</p> <p>DELETE: HI LOAD DUCT HTR – OFF, on 1-19</p>
2:30	<p>Add following MNVR: <u>MNVR (TRK) –ZLV. +YVV</u> TG = 2 BV = 3 OM = 270</p>

**PEN AND INKS TO NOMINAL D/O
PREP FOR ORBIT 5/6 DEORBIT**

TIG-	ACTION	PROCEDURES
3:57	Delete	<u>COLDSOAK INITIATE</u> 2
3:35	Delete	<u>SPECIALIST SEAT INSTALLATION</u>
3:30	Move to TIG-2:30	<u>DPS CONFIG FOR D/O PREP</u> 4a
3:15	Move to TIG-2:20	<u>DED DISP ENT CONFIG</u> 6
3:00	Add	<u>GNC FRP-3</u> (MAL, <u>GNC FRPs</u>) to recover IMU 2
2:56	Delete	<u>RAD BYPASS/FES C/O</u> (ORB OPS, <u>ECLS</u>)
2:55	Delete	<u>CONFIG FOR PLBD CLOSING</u> 7
2:40	Delete	<u>PLBD CLOSING</u> 9
2:40	Add	<u>PWRDN BACKOUT</u> (Group A & B) (ORB PKT, <u>PRIOR PWRDN</u>) (Delete IMU 2 recovery step)
2:26	Delete	<u>POST CLOSING CONFIG</u> 10

CUE CARD CONFIG

**CUE CARD
CONFIG**

This Page Intentionally Blank

TOP

AFT FLIGHT DECK RECONFIGURATION

CONFIG FOR PLBD OPERATIONS 4

A6U **SET UP LIGHTS**
ANNUN BUS SEL – MNC

NOTE

Minimum operating time for PLB Floodlights is 10 min.
Light must be OFF for minimum of 10 min UNBLOCKED,
16 min BLOCKED prior to reuse. ~3 min to full bright

A7U PL BAY FLOOD AFT (two) – ON
MID (two) – ON
FWD (two) – ON

Record MET: ____/____:____:____

- * If PLB Floodlight not ON to full bright within 5 min: *
- * (Aff) PL BAY FLOOD – OFF *

SET UP P/TV

Perform ACTIVATION, OPERATION (Cue Card, TV)

If PLBD video rec desired:

Perform PLBD VTR RECORDING (Cue Card)

RESET C/W 16

R13U			
PARAMETER NAME	C/W CH	LOWER LIMIT	UPPER LIMIT
FREON LOOP EVAP OUT T1	107	--	1.90V/64.8 deg
T2	117	--	1.90V/64.8 deg
CABIN PRESS	4	3.25V/13.02 psia	3.80V/15.22 psia
PPO2 A	34	2.50V/2.50 psia	--
B	44	2.50V/2.50 psia	--

R13U		
PARAMETER NAME	C/W CH	ENA/INH
MPS He TK P C	9	INH
L	19	INH
R	29	INH
MPS He REG P C	39	INH
L	49	INH
R	59	INH
HYD P 1	99	INH
2	109	INH
3	119	INH

CLOTHING CONFIG 10

Doff, stow:

- Harness, Boots, LES
- Stow gloves in Helmet
- Remove radiation dosimeter from LES and insert in inflight garments

Doff, stow in Wet Trash:

- UCD (clamp if used)
- Emesis Bag, if used (unstow new bag)

PI-1b/123/O/B

(reduced copy)

CC 3-4

PI/123/FIN 2

HOOK
VELCRO

HOOK
VELCRO

HOOK
VELCRO

HOOK
VELCRO

HOOK
VELCRO

HOOK
VELCRO

MIDDECK RECONFIGURATION

PRELIM MIDDECK CONFIG 2

WARNING
Eye and skin damage can occur in as little as 10 sec

INSTALL FILTERS

Don Sunglasses
Unstow,install: Side Hatch UV Filter and Locking Device, and Pyro Box Safing Pin

PRESS H2O TKA
ML26C SPLY H2O GN2 TK VENT vlv - PRESS
A SPLY vlv - OP

NOTE
Disregard possible 'S66 WASTE H2O PRES' fault msg

COMM CONFIG

Unstow: headsets, handheld mic, and/or wireless comm (see WCCS Cue Card), if flown
If WCCS flown, perform STD WCCS CONFIG (ORB OPS, COMM/INST)

MO42F If middeck handheld mic/speaker ops:
MIDDECK SPKR AUD A/G 1 - T/R, tw-2
A/G 2 - RCV, tw-2
A/A - RCV, tw-2
ICOM A - T/R, tw-2
B - RCV, tw-2
XMIT/ICOM MODE - PTT/PTT
SPKR PWR - SPKR
MSTR SPKR VOL - 8

MO39M MIDDECK COMM CCU PWR - OFF
Connect HHMIC to CCU
MIDDECK COMM CCU PWR - ON

ML86B:C cb MNA EXT ARLK HTR LINE ZN1,2 (two) - cl
STRUC Z1/2/3 - cl
:E cb MNA FC PCM - op

FDF CONFIG

Stow in Helmet Bag: ASCENT Cue Cards, ASC, ASC PKT, SYS AOA
Unstow Jettison Stowage Bag, mark "Return to Houston"
Place Helmet Bag in Return to Houston Bag

Unstow VW Bags

MET	MS AFT ACTIONS
00:53	SPECIALIST SEAT EGRESS
00:57	PRELIM MIDDECK CONFIG 2
01:07	WCS CONFIG/ACT 5
01:08	SWITCH CONFIG/GALLEY ACT 6
01:41	CLOTHING CONFIG 10
01:45	QUICKDON MASKS SETUP 19
01:54	SPECIALIST SEAT REMOVAL/STOWAGE
01:59	ESCAPE POLE STOWAGE 13
02:01	AIRLOCK SETUP FOR INGRESS 15

CLOTHING CONFIG 10

Doff, stow:
Harness, Boots, LES
Stow gloves in Helmet
Remove radiation dosimeter from LES and insert in inflight garments

Doff, stow in Wet Trash:
UCD (clamp if used)
Emesis Bag, if used (unstow new bag)

QUICKDON MASKS SETUP 19

Connect QDM COMM to HIU
Connect QDM O2 to LEH hose
Verify operation
Temp stow QDM/HIU assembly

PI-2a/123/O/A

(reduced copy)



POST INSERTION

**STS
123**