

# Post Insertion

## STS-125

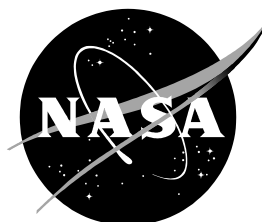
---

**Mission Operations Directorate  
Operations Division**

**Basic  
January 16, 2008**

National Aeronautics and  
Space Administration

**Lyndon B. Johnson Space Center**  
Houston, Texas





STS-125 POST INSERTION

BAS (Jan 16, 2008)

## PCN-4 (Sept 25, 2008) Sheet 1 of 1

List of Implemented Change Requests (482s):

PI-0840

Incorporate the following:

1. Replace iii & iv
2. Replace 1-13 & 1-14
3. Replace CC 3-3 & CC 3-4

Prepared by: Andrew Simon 9/23/08  
Publication Manager

Approved by: Kimberly Johnson  
Manager, Shuttle Procedures Management

Accepted by: Kimberly Johnson  
FDF Manager

Encl: 6 pages

**File this PCN immediately behind the front cover as a permanent record**



STS-125 POST INSERTION

BAS (Jan 16, 2008)

## PCN-3 (Sept 10, 2008) Sheet 1 of 1

List of Implemented Change Requests (482s):

MULTI-1820

Incorporate the following:

1. Replace iii & iv
2. Replace 1-13 & 1-14
3. Replace CC 3-3 & CC 3-4

Prepared by: Caprice Simon 8/27/08  
Publication Manager

Approved by: Chamberlynn Johnson  
Manager, Shuttle Procedures Management

Accepted by: Chamberlynn Johnson  
FDF Manager

Encl: 6 pages

**File this PCN immediately behind the front cover as a permanent record**



STS-125 POST INSERTION

BAS (Jan 16, 2008)

## PCN-2 (May 23, 2008) Sheet 1 of 1

List of Implemented Change Requests (482s):

PI-0833

Incorporate the following:

1. Replace iii & iv
2. Replace 1-13 & 1-14
3. Replace CC 3-3 & CC 3-4

Prepared by:

  
Publication Manager

Approved by:

  
Manager, Shuttle Procedures Management

Accepted by:

  
FDF Manager

Encl: 6 pages

**File this PCN immediately behind the front cover as a permanent record**





**STS-125 POST INSERTION****BAS (Jan 16, 2008)****PCN-1 (Mar 19, 2008) Sheet 1 of 1**

List of Implemented Change Requests (482s):

PI-0829

PI-0830

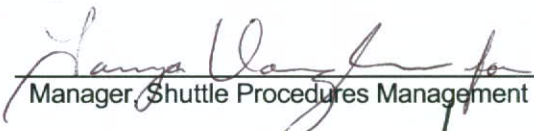
Incorporate the following:

1. Replace iii & iv
2. Replace 1-5 & 1-6, 1-9 & 1-10, 1-25 & 1-26

Prepared by:

  
Publication Manager

Approved by:

  
Manager, Shuttle Procedures Management

Accepted by:

  
FDF Manager

Encl: 8 pages

**File this PCN immediately behind the front cover as a permanent record**

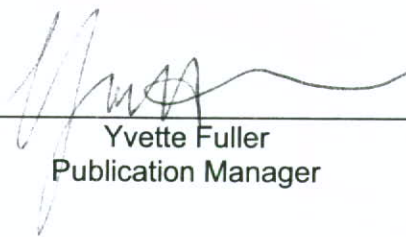


MISSION OPERATIONS DIRECTORATE

**POST INSERTION  
STS-125**

BASIC  
January 16, 2008

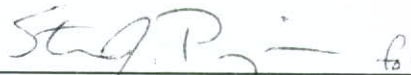
PREPARED BY:



---

Yvette Fuller  
Publication Manager

APPROVED BY:



---

Kimberly Johnson  
Manager, Shuttle Procedures Management



---

Mike Hurt  
Flight Data File Manager

This document is under the configuration control of the Crew Procedures Control Board (CPCB). Except for Discrepancy Notices (DN) approved at the flight operations review (FOR), all proposed changes must be submitted via FDF Workflow Crew Procedure Change Request (CR) to DO3/FDF Manager.

Additional distribution of this book, for official use only, may be requested in writing to DO3/PMO Administrator. The request must include justification and requester's name, organization, position, and phone number. Contractor requests are made through the NASA or DOD organization supported. Deletions, reduction in quantity, or change of address may be submitted to DO3/FDF Management Office, 281-244-1184.

Incorporates the following:
482#: NONE – Establishes baseline

AREAS OF TECHNICAL RESPONSIBILITY

Publication Manager	DO3/Y. Fuller	281-244-1174
Alternate Publication Manager	DO3/C. Simon	281-483-0656
INCO	DS2/D. Branham	281-483-1187
EECOM	DS4/P. Bolton	281-244-1176
EGIL	DS4/M. Maher	281-483-3898
GNC	DS6/J. Helms	281-244-6504
DPS	DS2/R. Schwank	281-244-0004
P T/V	DX3/R. Tijerina	281-244-7927
Pointing	DO4/K. Lawson	281-244-1222

POST INSERTION  
STS-125

**LIST OF EFFECTIVE PAGES**

BASIC	01/16/08
PCN-1	03/19/08
PCN-2	05/23/08
PCN-3	09/10/08
PCN-4	09/25/08

Sign Off .....	*	125/BAS	1-16 .....	125/BAS
ii.....	*	125/BAS	1-17 .....	125/BAS
iii.....	*	125/BAS 4	1-18 .....	125/BAS
iv.....	*	125/BAS	1-19 .....	125/BAS
v .....		125/BAS	1-20 .....	125/BAS
vi.....		125/BAS	1-21 .....	125/BAS
1-1 .....		125/BAS	1-22 .....	125/BAS
1-2 .....		125/BAS	1-23 .....	125/BAS
1-3 .....		125/BAS	1-24 .....	125/BAS
1-4 .....		125/BAS	1-25 .....	125/BAS 1
1-5 .....		125/BAS 1	1-26 .....	125/BAS
1-6 .....		125/BAS 1	2-1 .....	125/BAS
1-7 .....		125/BAS	2-2 .....	125/BAS
1-8 .....		125/BAS	2-3 .....	125/BAS
1-9 .....		125/BAS 1	2-4 .....	125/BAS
1-10 .....		125/BAS	3-1 .....	* 125/BAS
1-11 .....		125/BAS	3-2 .....	* 125/BAS
1-12 .....		125/BAS	CC 3-3 .....	* 125/BAS 4
1-13 .....		125/BAS 4	CC 3-4 .....	* 125/BAS 2
1-14 .....		125/BAS 2	CC 3-5 .....	* 125/BAS
1-15 .....		125/BAS	CC 3-6 .....	* 125/BAS

POST INSERTION CUE CARDS

<u>Title</u>	<u>Ref. Page</u>	<u>Card No.</u>	
AFT FLIGHT DECK RECONFIGURATION (Front).....	CC 3-3	PI-1a/125/O/C	I
(Back) .....	CC 3-4	PI-1b/125/O/B	
MIDDECK RECONFIGURATION (Front).....	CC 3-5	PI-2a/125/O/A	
(Back) .....	CC 3-6	PI-2b/125/O/A	

\* – Omit from flight book

This Page Intentionally Blank

CONTENTS

PAGE

POST INSERTION PROCEDURES .....	1-1
ON-ORBIT SWITCH LIST .....	1-17
ORBIT 5/6 DEORBIT .....	2-1
CUE CARD CONFIG .....	3-1

NOTE

The STS-125 Post Insertion contains the nominal procedures from:

MET (DAY/HR:MIN)  
000/00:51 TO 000/02:30 – POST INSERTION (Section 1)

The remaining STS-125 flight phases are conducted using the Ascent Checklist, Flight Plan, Deorbit Prep Book, Entry Checklist, EVA Checklist, and Rendezvous Book.



# POST INSERTION PROCEDURES

**CONFIG GPCs FOR OPS 2** 1

\* For single PASS GPC failure, build PASS set as follows: \*

FAILED GPC	GPC			
	1	2	3	4
1	X	G2	FD	SM
2	G2	X	FD	SM
3	G2	FD	X	SM
4	G2	SM	FD	X

\* In step 1:  
\* Assign strings 1,3 to one GPC and  
\* strings 2,4 to other GPC  
\*

**NOTE**

No keyboard entries or sw throws 10 sec:  
Before and after moding PASS GPCs to RUN  
Before OPS transition or set expansion/contraction  
requests until new OPS base page is displayed

C,P 1. REASSIGN G2FD STRING TO ANOTHER GPC IN MC 1

GNC 0 GPC MEMORY

CONFIG – ITEM 1 +1 EXEC

Modify MC 1 per table

BFC CRT DISP – OFF

GNC, OPS 106 PRO

GNC 0 GPC MEMORY

CONFIG GPC	1 12340
STR 1	1
2	2
3	2
4	4
PL 1/2	1
CRT 1	1
2	2
3	2
4	0
L 1	1
2	2
MM 1	1
2	2

**CAUTION**  
If BFS is standalone (BFC It flash):  
BFC CRT DISP – ON  
BFS, GNC I/O RESET  
BFC CRT DISP – OFF

O6 2. MODE G2FD GPC TO OPS 0  
GPC MODE G2FD – STBY (tb-bp)  
– RUN (tb-RUN)

CRTX 3. LOAD MC 2 INTO G2FD GPC  
PL, GPC/CRT G2FD GPC/X EXEC  
X: PL GPC MEMORY  
CONFIG – ITEM 45 +2 EXEC  
GPC – ITEM 46 +(G2FD) EXEC  
STORE – ITEM 47 EXEC  
Store complete when MC = 02

\* If no MC = 02 after 30 sec: \*

\* a. On MCC GO, cycle pwr on MMU 1,2 \*

\* b. Retry GPC FREEZE DRY (step 3) \*

\* c. If FD successful, continue with step 4 \*

\* If not successful and: \*

\* NO GPCs FAILED: go to step 1, delete GPC 3 \*

\* from TGT SET, restring 1,3 to GPC 1, and \*

\* restring 2,4 to GPC 4, try to FD GPC 2 with \*

\* steps 2,3; then go to step d \*

\* ONE GPC FAILED: go to step 1, delete \*

\* attempted FD GPC from TGT SET, restring all \*

\* strings to lowest ID GPC, try to FD other GPC \*

\* with steps 2,3; then go to step d \*

\* d. If FD successful, continue with step 4 \*

\* If not successful: consider both MMUs failed; \*

\* on MCC GO, perform transition to OPS 3 \*

4. TRANSITION TO GNC OPS 2

GNC 0 GPC MEMORY  
CONFIG – ITEM 1 +2 EXEC  
Modify MC 2 per table →

CONFIG GPC	DUAL G2	SINGLE G2
	2 12000	2 10000
STR 1	1	1
2	2	1
3	1	1
4	2	1
PL 1/2	0	0
CRT 1	1	1
2	2	1
3	0	0
4	2	1
L 1	0	0
2	0	0
MM 1	1	1
2	2	1

C3  
C2  
F2,F4  
C3

5. TURN OFF BFC LT  
BFC CRT DISP – ON  
BFS, MSG RESET  
√BFC It – off  
CRT DISP – OFF

MET  
DAY 000  
00:30  
TRANS  
DAP  
AUTO  
RT 0.5  
DB 3.5

00:35

Ref ASC for activities from 00:00-00:50 MET

MEMORY CONFIGURATION TABLE					
CONFIG	1	2	3	4	
OPS	G1, G6	G2	G3	SM	
GPC SEL	1,2,3,4	1,2	1,2,3,4	4	
STR	1 1 2 2 3 3 4 4	1 1 2 2 1 1 2 2	1 1 2 2 3 3 4 4	0 0 0 0 0 0 0 0	
P/L	1/2 1	0 0	1 1	4 4	
CRT	1 1 2 2 3 3 4 0	1 1 2 2 0 0 2 0	1 1 2 2 3 3 0 0	4 4 4 4 0 0 4 4	
L	1 1 2 2	0 0 0 0	0 0 0 0	4 4 0 0	
MM	1 1 2 2	1 1 2 2	1 1 2 2	4 4 4 4	

1: GNC OMS 2 MNVR COAST | 2: GNC OMS 2 MNVR COAST  
3: BFS, SYS SUMM 2

00:40

00:45

00:50

00:55

01:00

C L4:B,Q,R All cbs closed  
L4:D,E All cbs open  
L4:J cb AC3 φA SIG CONDR HUM SEP - cl  
B SIG CONDR IMU FAN - cl

MS **SPECIALIST SEAT EGRESS**

C,P **CONFIG GPCs FOR OPS 2** [1], 1-2  
(USE DUAL G2 CONFIG)  
If two PASS GPCs failed, √MCC  
If BFS engaged: Go to MAL, DPS, GPC FRP-4

P R1 **PL BUS ACTIVATION**  
PL CAB - MNA  
PRI MNC - ON (tb-ON)  
AUX - ON  
AFT MNB - ON

MS **PRELIM MIDDECK CONFIG** (MID Cue Card) [2], 1-15

MS **AFT STATION CONFIG** (AFT Cue Card) [3], 1-13

CRTX 6. **TRANSITION TO SM OPS 201**  
SM, GPC/CRT SM GPC/X EXEC  
X: SM GPC MEMORY  
CONFIG - ITEM 1 +4 EXEC  
Modify MC 4 per table →

C3 √UPLK - ENA  
SM 1 DPS UTILITY  
UL CNTL AUTO - ITEM 35 EXEC

CONFIG	4
GPC 00040	
STR 1 0 2 0 3 0 4 0	
PL 1/2 4	
CRT 1 4 2 4 3 0 4 4	
L 1 4 2 0	
MM 1 4 2 4	

C3 7. **SECURE BFS**  
BFC CRT DISP - ON  
C3 CRT3 BFS, GNC, OPS 000 PRO  
3: BFS, BFS MEMORY  
C3 BFC CRT DISP - OFF  
√All IDPs deassigned from BFS

O6 GPC MODE 5 - STBY (tb-RUN)

C2 8. **RECONFIG MEDs**  
GPC/CRT 0/3 EXEC  
IDP/CRT 3 PWR - OFF  
√4 PWR - ON

F6,F7,F8 GPC/CRT SM GPC/4 EXEC  
Power off MDUs as desired

C3 9. **LOAD ORBIT TFLs**  
√OI PCMMU FORMAT - GPC  
SM 62 PCMMU/PL COMM  
FORMAT:  
CRT FXD - ITEM 1 EXEC (\*)  
SEL ID - ITEM 3 +1 9 2 EXEC  
LOAD - ITEM 4 EXEC  
- √RUN, CPLT  
SEL ID - ITEM 3 +1 0 3 EXEC  
LOAD - ITEM 4 EXEC  
- √RUN, CPLT  
PGM - ITEM 2 EXEC  
SM ANTENNA

10. RECONFIG GPCs

O6 GPC MODE 5 – HALT (tb-bp)  
 OUTPUT 5 – NORM (tb-bp)  
 OUTPUT (SM GPC) – TERM (tb-bp)

If no failed GPC:

√All IDPs deassigned from FD GPC  
 GPC MODE (FD GPC) – STBY (tb-bp)  
 – HALT (tb-bp)  
 – STBY (tb-RUN)  
 – HALT (tb-bp)

If single G2 reqd:

IDP/CRTX MAJ FUNC – PL  
 GPC/CRT 2/X EXEC

X: PL GPC MEMORY

CONFIG – ITEM 45 +2 EXEC  
 GPC – ITEM 46 +2 EXEC  
 STORE – ITEM 47 EXEC  
 Store complete when MC = 2 (~30 sec)

√All IDPs deassigned from FD GPC  
 GPC MODE 2 – STBY (tb-bp)  
 – HALT (tb-bp)  
 – STBY (tb-RUN)  
 – HALT (tb-bp)

Perform ERR LOG RESET

GNC 0 GPC MEMORY

ITEM 48 EXEC

SM 0 GPC MEMORY

ITEM 48 EXEC

If PASS GPC failed from ASCENT and dual  
 G2 reqd, use G2FD to form G2 RS:

GNC 0 GPC MEMORY

CONFIG – ITEM 1 +2 EXEC

Modify MC 2 per table

GNC, OPS 201 PRO

GNC UNIV PTG

If PASS GPC failed from ASCENT and single  
 G2 reqd:

√All IDPs deassigned from FD GPC  
 GPC MODE (FD GPC) – STBY (tb-bp)  
 – HALT (tb-bp)  
 – STBY (tb-RUN)  
 – HALT (tb-bp)

If GPC failed from ASCENT,  
 Perform MAL, DPS, GPC FRP-1 as time permits

CONFIG	2
GPC	XY
STR 1	X
2	Y
3	X
4	Y
PL 1/2	0
CRT 1	X
2	Y
3	0
4	Y
L 1	0
2	0
MM 1	X
2	Y

C2  
 CRTX

CRT

PI LOCKER

When all GPC switch configuration complete,  
 unstow, install GPC MODE switchguard

MET

DAY 000

1: GNC UNIV PTG      2: SM ANTENNA

01:00  
A1(B1)  
AUTO  
PRI  
RT 0.2  
DB 5.0

MS

**CONFIG FOR PLBD OPERATIONS** (AFT Cue Card) **4**, 1-14

01:05

MS  
MS  
C,P

**WCS CONFIG/ACT** (MID Cue Card) **5**, 1-16  
**SWITCH CONFIG/GALLEY ACT** (MID Cue Card) **6**, 1-16  
**DON/CONFIG COMM**  
Don headsets  
HIU Vol – minimum  
**LOAD DAP A5**

P

01:10

A5(B1)  
AUTO  
PRI  
RT 0.2  
DB 5.0

CRT1

**MNVR TO PLBD OPENING ATT** (-ZLV, -XVV)  
√TGT ID +2  
BODY VECT +3  
√P +90  
√Y +0.0  
OM 0

01:15

A5(B1)  
AUTO  
ALT  
RT 0.2  
DB 5.0

C

DAP: A/AUTO/ALT  
Initiate TRK

**RAD ACT** **7**

**RAD/PLBD OPS NO-GO FOR FOLLOWING FAILURES**

OMS/RCS	GNC	ECLS/EPS	MECH
2 OMS Engs	2 IMUs	1 H2O or Freon Lp	2 LG DPY METHODS
1 OMS Eng & 1 +X RCS jet	3 RGAs	Both RFCAs	PRES or REDNT
1 OMS Inlet line	3 AAs	Both Cab Fans	WINDOW PANE FAILURE
OMS Prop Tk Leak	3 ADTAs	3 of 6 Av Bay Fans	<b>DPS</b>
Aft RCS He or Prop Leak	3 Elevon or BF Pos Fdbks (same surface)	2 FCs	3 GPCs
<b>COMM</b>	2 FCS Ch (same surface)	Any MN or 3Φ AC Bus	2 PL MDMs
No Voice and No CMD		Any CNTL or MPC Bus	2 FF or FA MDMs
		3 IMU Fans	<b>APU/HYD</b>
			2 APU/HYD/WSB

01:25

UPLINK  
VAR  
PARAM  
TMBU  
(IF  
REQD)

If NO-GO for RAD/PLBD OPS, go to **ORB 3 DEORBIT** **8**

MS **OPEN PLBDs**, AUTO MODE, **18** 1-11

**NOTE**: CAUTION BLOCK on 1-11

01:30

**RAD ACT** **7**

**NOTE**

Expect 'S88 EVAP OUT T 1(2)' msg

L1

FLASH EVAP CNTLR PRI A – OFF  
B – ON

**NOTE**

If RAD flow has been initiated manually, delay RAD ACT until MCC call or until RAD OUT T low

RAD BYP VLV MODE (two) – AUTO  
CNTLR LOOP (two) – AUTO A  
Wait 90 sec  
√RAD BYP VLV tb (two) – RAD

\* If RAD BYP VLV 1(2) tb – BYP: \*

\* RAD CNTLR LOOP 1(2) – AUTO B \*

\* Wait 90 sec \*

\* √RAD BYP VLV 1(2) tb – RAD \*

\* If RAD BYP VLV 1(2) tb still BYP or bp: \*

\* RAD BYP VLV MODE 1(2) – MAN \*

\* MAN SEL 1(2) – RAD FLOW \*

\* Hold 3 sec or until tb – RAD \*

\* If RAD BYP VLV 1(2) tb – bp: \*

\* RAD BYP VLV MODE 1(2) – MAN \*

\* CNTLR LOOP 1(2) – AUTO B \*

\* After 10 sec, RAD BYP VLV MODE 1(2) – AUTO \*

\* Wait 90 sec \*

\* RAD BYP VLV 1(2) tb – RAD \*

\* If RAD BYP VLV 1(2) tb – bp: \*

\* RAD BYP VLV MODE 1(2) – MAN \*

\* MAN SEL 1(2) – RAD FLOW \*

\* Hold 3 sec or until tb – RAD \*

\* If RAD BYP VLV 1(2) tb – bp: \*

\* √MCC \*

L2

FREON ISOL MODE – AUTO

**ORB 3 DEORBIT** **8**

If NO-GO for RAD/PLB OPS due to 2 FCs failed:  
Go to CONT DEORB, **LOSS OF 2 FC ORB 2 OR 3**,  
at TIG-1:30

If NO-GO due to any other failure:  
Go to CONT DEORB, **LAUNCH DAY ORBIT 3**,  
at TIG-2:00

**STAR TRKR ACTIVATION/DOOR OPEN** 12

- C O6 S TRK PWR (two) – ON  
GNC I/O RESET
  
- O6 S TRK DR CNTL SYS (two) – OP (start timer)  
√POS tb (two) – bp  
When both tb – OP (8-24 sec), or either tb – bp for > 24 sec,  
CNTL SYS (two) – OFF
  
- \* If tb – bp > 8 sec, notify MCC \*

1: GNC 22 S TRK/COAS CNTL

STAR TRK – ITEM 3,4 EXEC

1: GNC 21 IMU ALIGN

RESUME

**SUPPLY WATER CONFIG** 14

NOTE

Do not perform until blocks 5 and 6 are performed

- R11L SPLY H2O DUMP ISOL VLV – OP (tb-OP)  
√XOVR VLV – CL (tb-CL)  
TKB INLET – CL (tb-CL)  
TKA OUTLET – OP (tb-OP)
  
- ML86B:A cb MNB SPLY H2O TKB INLET – op  
MNC SPLY H2O XOVR VLV – op

<b>MET</b>	1: GNC UNIV PTG	2: SM PL BAY DOORS
DAY 000	4: SM PL BAY DOORS	
01:30		
A5(B1)		
AUTO		
ALT		
RT 0.2		
DB 5.0		
01:35	<b>MCC &amp; CREW:</b>	GO for orbit ops
	C O6	UHF MODE sel – OFF
	<b>MS</b>	<b>KU-BD ANT DEPLOY</b> (ORB OPS, COMM/INST)
		<b>KU-BD ANT ACTIVATION</b> (ORB OPS, COMM/INST)
	<b>C,P</b>	<b>SEAT EGRESS</b>
01:40	<b>C,P</b>	<b>CLOTHING CONFIG</b> 9
	<b>MS</b>	<b>CLOTHING CONFIG</b> (MID,AFT Cue Cards) 10, 1-14, 1-15
01:45	<b>ALL</b>	<b>QUICKDON MASKS SETUP</b> 19
		If time permits: <b>OCAC SETUP</b> (ORB OPS, CREW SYS)
01:50	<b>C</b>	<b>POST PLBD OPS RAD CONFIG</b> 11
	<b>MS</b>	<b>SPECIALIST SEAT REMOVAL/STOWAGE</b>
01:55	<b>C</b>	<b>STAR TRKR ACTIVATION/DOOR OPEN</b> 12, 1-6
	<b>MS</b>	<b>ESCAPE POLE STOWAGE</b> (MID Cue Card) 13, 1-16
	<b>P</b>	<b>SUPPLY WATER CONFIG</b> 14, 1-6
02:00		

**CLOTHING CONFIG** 9

Doff, stow:  
 Harness, Boots, LES  
 Stow gloves in Helmet  
 Remove radiation dosimeter from LES and insert in inflight garments

Doff, stow in Wet Trash:  
 UCD (clamp if used)  
 Emesis Bag, if used (unstow new bag)

**POST PLBD OPS RAD CONFIG** 11

**C** 1: SM 88 APU/ENVIRON THERM

**NOTE**  
 FREON LOOP RAD OUT temps will not drop to normal operating range (< 60 deg) until ~15 min after doors are opened

L1 NH3 CNTLR B(A) – OFF  
 √RAD BYP VLV tb (two) – RAD  
 H2O LOOP 2 BYP MODE – AUTO

CRT1 When FREON LOOP RAD OUT T < 60 deg:  
 L1 HI LOAD EVAP – OFF

1: GNC UNIV PTG

**QUICKDON MASKS SETUP** 19

Connect QDM COMM to HIU  
 Connect QDM O2 to LEH hose  
 Verify operation  
 Temp stow QDM/HIU assembly

This Page Intentionally Blank



MET		1: GNC UNIV PTG	2: SM ANTENNA
DAY 000		4: SM ANTENNA	
02:00	MS	<b>AIRLOCK SETUP FOR INGRESS</b> <span style="border: 1px solid black; padding: 0 5px;">15</span> , 1-16	
A5(B1)	P	<b>W/B STEAM VENT HTR ACT</b>	
AUTO		R2	√BLR CNTLR/HTR (three) – A
ALT			PWR (three) – ON
RT 0.2			
DB 5.0			
02:05	C	<b>CONFIG VERNIER CONTROL</b>	
A5(B1)	O16:F	√MCC GO for vernier control	
AUTO		RJD MANF L5/F5/R5 DRIVER – ON, wait 5 sec	
VERN		DAP: A/AUTO/VERN	
RT 0.05			
DB 1.0			
02:10			
	ALL	<b>CONFIG CONTROLS FOR ON-ORBIT</b>	
		Perform actions on 1-17 thru 1-26	
		Unstow, install HUD covers (two)	
02:15	L2	Remove, stow (on PNL L2/FDF FD locker)	
		NWS sw flex extension	
	P	<b>HYD THERMAL CONDITIONING-ENABLE</b>	
	R2	HYD CIRC PUMP (three) – GPC	
02:20			
	MS	<b>RESET C/W</b> (AFT Cue Card) <span style="border: 1px solid black; padding: 0 5px;">16</span> , 1-14	
02:25			
	MS	<b>FUEL CELL VI PERFORMANCE PLOT</b> (ORB OPS, <u>EPS</u> )	
02:30		Stow POST INSERTION, go to FLIGHT PLAN, <u>FLT DAY 1</u>	

This Page Intentionally Blank

**DETAILED PLBD OPENING PROCEDURES** 18

- |      |  |  |
|------|--|--|
| R13L | <ul style="list-style-type: none"> <li>* If no motion determined visually or 'OP/CL' not blank within 10 sec</li> <li>* after cmd,</li> <li>* PL BAY DR – STOP, perform MAL, <u>MECH</u>, 9.1a</li> <li>* If latch not 'OP' in single mtr time,</li> <li>* PL BAY DR – STOP, perform MAL, <u>MECH</u>, 9.1d</li> <li>* If door motion stops and not 'OP',</li> <li>* PL BAY DR – STOP, perform MAL, <u>MECH</u>, 9.1f</li> <li>* If SM GPC fails during this operation,</li> <li>* PL BAY DR SYS (two) – DSBL</li> <li>* – STOP</li> <li>* Perform PASS SM GPC FAIL (ORB PKT, <u>DPS</u>)</li> </ul> | *<br>*<br>*<br>*<br>*<br>*<br>*<br>*<br>*<br>* |
|------|--|--|

**CAUTION**

Use MANUAL mode for subsequent BFS PLBD ops if BFS AUTO sequence has been interrupted by reversing latch/door drive direction or if MANUAL mode has already been used during mission

**NOTE**

Note any single mtr operations (continue ops)  
(single mtr times = 2X listed dual motor times).

If one mtr in each of two separate latch gangs fails:  
PL BAY DR – STOP  
√MCC

**AUTO PLBD OPENING PROCEDURE**

- |                                  |   |
|----------------------------------|---|
| MS CRT4                          | 1. SM, OPS 202 PRO or <span style="border: 1px solid black; padding: 2px;">BFS, SM 63 PL BAY DOORS</span><br><span style="border: 1px solid black; padding: 2px; margin-left: 20px;">4: SM PL BAY DOORS</span>  |
| R13L<br>CRT4                     | √PL BAY DR – STOP<br>√PBD SW – STOP<br>√MAN SEL (ten) – (no *)<br>√PBD SW BYPASS – (no *)   |
| R13L<br>CRT4<br>R13L<br>CRT4     | 2. AC POWER ON – ITEM 1 EXEC (*)<br>3. AUTO MODE SEL – ITEM 3 EXEC (*)<br>4. PL BAY DR SYS (two) – ENA<br>√OP/CL STATUS (ten) – CL<br>5. PL BAY DR – OP<br>√CENTER LATCHES 5-8,9-12 (two) – blank,OP (~20 sec)<br>√1-4,13-16 (two) – blank,OP (~20 sec)<br>√STBD FWD,AFT LATCHES (two) – blank,OP (~30 sec)<br>√DOOR – RDY,blank,OP (~63 sec)<br>√PORT FWD,AFT LATCHES (two) – blank,OP (~30 sec)<br>√DOOR – RDY,blank,OP (~63 sec) |
| R13L                             | 6. PL BAY DR – STOP   |
| <b>POST-PLBD OPENING CLEANUP</b> |   |
| CRT4                             | 7. PL BAY DOOR SYS (two) – DSBL<br>√OP/CL STATUS (ten) – OP<br>8. AC POWER OFF – ITEM 2 EXEC (*)<br>9. SM, OPS 201 PRO (if PASS SM)<br><span style="border: 1px solid black; padding: 2px; margin-left: 20px;">4: SM ANTENNA</span>   |
| A7U                              | 10. After floodlights ON > 10 min:<br>PL BAY FLOOD (all) – OFF  |

**MANUAL PLBD OPENING PROCEDURE**

- |   |  |
|---|--|
| MS CRT4                                     | 1. SM, OPS 202 PRO or <span style="border: 1px solid black; padding: 2px;">BFS, SM 63 PL BAY DOORS</span><br><span style="border: 1px solid black; padding: 2px; margin-left: 20px;">4: SM PL BAY DOORS</span>                       |
| R13L<br>CRT4                                | √PL BAY DR – STOP<br>√PBD SW – STOP<br>√MAN SEL (ten) – (no *)<br>√PBD SW BYPASS – (no *)  |
| R13L<br>CRT4                                | 2. AC POWER ON – ITEM 1 EXEC (*)<br>√AUTO MODE SEL – (no *)<br>3. PL BAY DR SYS (two) – ENA<br>√OP/CL STATUS (ten) – CL  |
| <b>OPEN C/L LATCHES</b>                     |  |
| R13L<br>CRT4                                | 4. Select CENTER LATCHES 5-8,9-12 – ITEM 4,5 EXEC (*)<br>5. PL BAY DR – OP<br>√CENTER LATCHES 5-8,9-12 (two) – blank,OP (~20 sec)  |
| R13L<br>CRT4                                | 6. PL BAY DR – STOP<br>7. Deselect CENTER LATCHES 5-8,9-12 – ITEM 4,5 EXEC (no *)<br>8. Select CENTER LATCHES 1-4,13-16 – ITEM 6,7 EXEC (*)  |
| R13L<br>CRT4                                | 9. PL BAY DR – OP<br>√CENTER LATCHES 1-4,13-16 (two) – blank,OP (~20 sec)  |
| R13L<br>CRT4                                | 10. PL BAY DR – STOP<br>11. Deselect CENTER LATCHES 1-4,13-16 – ITEM 6,7 EXEC (no *)   |
| <b>OPEN STBD FWD,AFT LATCHES &amp; DOOR</b> |  |
| R13L<br>CRT4                                | 12. Select STBD FWD,AFT LATCHES – ITEM 8,9 EXEC (*)<br>13. PL BAY DR – OP<br>√STBD FWD,AFT LATCHES (two) – blank,OP (~30 sec)  |
| R13L<br>CRT4                                | 14. PL BAY DR – STOP<br>15. Deselect STBD FWD,AFT LATCHES – ITEM 8,9 EXEC (no *)<br>16. Select STBD DOOR – ITEM 10 EXEC (*)  |
| R13L<br>CRT4                                | 17. PL BAY DR – OP<br>√STBD DOOR – RDY,blank,OP (~63 sec)  |
| R13L<br>CRT4                                | 18. PL BAY DR – STOP<br>19. Deselect STBD DOOR – ITEM 10 EXEC (no *)   |
| <b>OPEN PORT FWD,AFT LATCHES &amp; DOOR</b> |  |
| R13L<br>CRT4                                | 20. Select PORT FWD,AFT LATCHES – ITEM 11,12 EXEC (*)<br>21. PL BAY DR – OP<br>√PORT FWD,AFT LATCHES (two) – blank,OP (~30 sec)  |
| R13L<br>CRT4                                | 22. PL BAY DR – STOP<br>23. Deselect PORT FWD,AFT LATCHES – ITEM 11,12 EXEC (no *)<br>24. Select PORT DOOR – ITEM 13 EXEC (*)  |
| R13L<br>CRT4                                | 25. PL BAY DR – OP<br>√PORT DOOR – RDY,blank,OP (~63 sec)  |
| R13L<br>CRT4                                | 26. PL BAY DR – STOP<br>27. Deselect PORT DOOR – ITEM 13 EXEC (no *)   |
| <b>POST-PLBD OPENING CLEANUP</b>            |  |
| R13L<br>CRT4                                | 28. PL BAY DR SYS (two) – DSBL<br>√OP/CL STATUS (ten) – OP<br>29. AC POWER OFF – ITEM 2 EXEC (*)<br>30. SM, OPS 201 PRO (if PASS SM)<br><span style="border: 1px solid black; padding: 2px; margin-left: 20px;">4: SM ANTENNA</span> |
| A7U   | 31. After floodlights ON > 10 min:<br>PL BAY FLOOD (all) – OFF   |

FUNCTION	PLBD CONTROL								PLBD DISPLAY MDM								
	Ref: MA73C:C&D for MCA cbs																
	MTR 1				MTR 2				C	C	O	O	C	R	R	R	O
	AC/ MCA	CNTL	MDM	SYS	AC/ MCA	CNTL	MDM	SYS	A	B	A	B	A	B	C		
LATCH																	
5-8	1/MID3	AB3/AB2	PL1	2	3/MID2	CA3/CA1	PL2	1	1	2	1	2					
9-12	1/MID1	AB3/AB1	PL1	1	3/MID4	CA3/CA2	PL2	2	1	2	1	2					
1-4	1/MID3	AB3/AB2	PL1	2	3/MID2	CA3/CA1	PL2	1	1	2	1	2					
13-16	3/MID4	CA3/CA2	PL2	2	2/MID2	BC3/BC1	PL1	1	2	1	2	1					
S FWD	1/MID1	AB3/AB1	PL1	1	2/MID4	BC3/BC2	PL2	2	1	2	1	2					
S AFT	3/MID4	CA3/CA2	PL2	2	2/MID2	BC3/BC1	PL1	1	2	1	2	1					
S DOOR	1/MID1	AB3/AB1	PL1	1	2/MID4	BC3/BC2	PL2	2									
													1	1	2	2	1
													2	1	2	2	2
P FWD	1/MID1	AB3/AB1	PL1	1	2/MID4	BC3/BC2	PL2	2	1	2	1	2					
P AFT	1/MID3	AB3/AB2	PL1	2	3/MID2	CA3/CA1	PL2	1	1	2	1	2					
													2	1	1	2	2
P DOOR	3/MID4	CA3/CA2	PL2	2	2/MID2	BC3/BC1	PL1	1					1	1	1	2	1



## AFT FLIGHT DECK RECONFIGURATION

### CONFIG FOR PLBD OPERATIONS 4

A6U                    SET UP LIGHTS  
ANNUN BUS SEL – MNC

NOTE

Minimum operating time for PLB Floodlights is 10 min.  
Light must be OFF for minimum of 10 min UNBLOCKED,  
16 min BLOCKED prior to reuse. ~3 min to full bright

A7U                    PL BAY FLOOD AFT – ON  
                                 MID – OFF  
                                 FWD – ON  
                                 BHD – ON

Record MET: \_\_\_\_/\_\_\_\_:\_\_\_\_:\_\_\_\_

- \* If PLB Floodlight not ON to full bright within 5 min: \*
- \* (Aff) PL BAY FLOOD – OFF \*

SET UP P/TV

Perform ACTIVATION, OPERATION (Cue Card, TV)  
If PLBD video rec desired:  
Perform PLBD VTR RECORDING (Cue Card)

### CLOTHING CONFIG 10

Doff, stow:  
  Harness, Boots, LES  
Stow gloves in Helmet  
Remove radiation dosimeter from LES and insert in inflight garments

Doff, stow in Wet Trash:  
  UCD (clamp if used)  
  Emesis Bag, if used (unstow new bag)

### RESET C/W 16

R13U			
PARAMETER NAME	C/W CH	LOWER LIMIT	UPPER LIMIT
FREON LOOP EVAP OUT T1	107	--	1.90V/64.8 deg
T2	117	--	1.90V/64.8 deg

R13U		
PARAMETER NAME	C/W CH	ENA/INH
MPS He TK P C	9	INH
L	19	INH
R	29	INH
MPS He REG P C	39	INH
L	49	INH
R	59	INH
HYD P 1	99	INH
2	109	INH
3	119	INH

## MIDDECK RECONFIGURATION

### PRELIM MIDDECK CONFIG 2

WARNING  
Eye and skin damage can occur in as little as 10 sec

#### INSTALL FILTERS

Don Sunglasses

Unstow,install: Side Hatch UV Filter and Locking Device, and Pyro Box Safing Pin

#### PRESS H2O TKA

ML26C SPLY H2O GN2 TK VENT vlv – PRESS  
A SPLY vlv – OP

#### NOTE

Disregard possible 'S66 WASTE H2O PRES' fault msg

#### COMM CONFIG

MO42F Unstow: headsets, handheld mic  
MIDDECK SPKR AUD A/G 1 – T/R, tw-2  
A/G 2 – RCV, tw-2  
A/A – RCV, tw-2  
ICOM A – T/R, tw-2  
B – RCV, tw-2  
XMIT/ICOM MODE – PTT/PTT  
SPKR PWR – SPKR  
MSTR SPKR VOL – 8

MO39M MIDDECK COMM CCU PWR – OFF  
Connect HHMIC to CCU  
MIDDECK COMM CCU PWR – ON

ML86B:C cb MNA EXT ARLK HTR LINE ZN1,2 (two) – cl  
STRUC Z1/2/3 – cl  
:E cb MNA FC PCM – op

#### FDI CONFIG

Stow in Helmet Bag: ASCENT Cue Cards, ASC, ASC PKT, SYS AOA  
Unstow Jettison Stowage Bag, mark "Return to Houston"  
Place Helmet Bag in Return to Houston Bag

Unstow VW Bags

MET	MS AFT ACTIONS
00:53	<u>SPECIALIST SEAT EGRESS</u>
00:57	<u>PRELIM MIDDECK CONFIG</u> <span style="border: 1px solid black; padding: 0 5px;">2</span>
01:07	<u>WCS CONFIG/ACT</u> <span style="border: 1px solid black; padding: 0 5px;">5</span>
01:08	<u>SWITCH CONFIG/GALLEY ACT</u> <span style="border: 1px solid black; padding: 0 5px;">6</span>
01:41	<u>CLOTHING CONFIG</u> <span style="border: 1px solid black; padding: 0 5px;">10</span>
01:45	<u>QUICKDON MASKS SETUP</u> <span style="border: 1px solid black; padding: 0 5px;">19</span>
01:54	<u>SPECIALIST SEAT REMOVAL/STOWAGE</u>
01:59	<u>ESCAPE POLE STOWAGE</u> <span style="border: 1px solid black; padding: 0 5px;">13</span>
02:01	<u>AIRLOCK SETUP FOR INGRESS</u> <span style="border: 1px solid black; padding: 0 5px;">15</span>

### CLOTHING CONFIG 10

Doff,stow:

Harness, Boots, LES

Stow gloves in Helmet

Remove radiation dosimeter from LES and insert in inflight garments

Doff,stow in Wet Trash:

UCD (clamp if used)

Emesis Bag, if used (unstow new bag)

### QUICKDON MASKS SETUP 19

Connect QDM COMM to HIU

Connect QDM O2 to LEH hose

Verify operation

Temp stow QDM/HIU assembly

## MIDDECK RECONFIGURATION

### WCS CONFIG/ACT 5

#### WCS SWITCH CONFIGURATION

ML86B:A	cb MNA H2O LINE HTR A	- cl
:B	WASTE H2O DUMP ISOL	- cl
	MNA,MNB VAC VENT ISOL VLV (two)	- cl
	WCS CNTLR (two)	- cl
	MNB VAC VENT NOZ HTR	- cl
:F	MNA FLOODS WMC/MO13Q	- cl

MA73C:E     All cbs closed except:  
              cb AC3 PL 3Φ - op

ML31C     WASTE H2O DUMP ISOL VLV - OP (tb-OP)  
√VAC VENT ISOL VLV BUS SEL - MNA  
            NOZ HTR                 - ON  
            ISOL VLV CNTL         - OP (tb-OP)

*	If VAC VENT ISOL VLV CNTL tb - CL or bp:	*
*	VAC VENT ISOL VLV BUS SEL - MNB	*
*	CNTL - OP (tb-OP)	*
*	If VAC VENT ISOL VLV CNTL tb still CL or bp:	*
*	√MCC for further actions	*

#### WCS ACTIVATION

WCS     Foot/Toe Restraints - down,locked  
VAC VLV - OP  
Unstow urinal hose from Velcro strap, install hose in cradle  
√CRADLE - AUTO  
√MODE - AUTO  
FAN SEP SEL sw - 1  
Unstow hose from cradle (√Airflow)  
√WCS ON It - on  
Stow hose in cradle  
√WCS ON It - off  
Unstow,install WCS Container, Bag & Hose, Mirror, Elbow Bag  
Dispenser, First Day Clothing  
√Ventline mated in aux Wet Trash  
Perform URINE PRETREAT SETUP (Cue Card, URINE  
PRETREAT CHANGEOUT)

### SWITCH CONFIG/GALLEY ACT 6

MA73C:F	cb AC1 MAR 3Φ - cl
:G	cb AC3 GALLEY FAN (three) - cl

ML86B:A	All cbs closed except: MNB H2O LINE HTR B - op
:B	All cbs closed
:E	All cbs closed except: FLOOD TUNNEL ADAPTER (three) - op CO2 SYS 1,2 CNTLR, CO2 COMM INSTR - op FC PCM - op
:F	All cbs closed
:G	All cbs closed except: ESS1BC FLOOD TUNNEL ADAPTER 1 - op

R11L:G     SPLY H2O GALLEY SPLY VLV - OP (tb-OP)

GALLEY     H2O HTRS (two) - ON  
              OVEN/RHS         - ON

Unstow,install Personal Hygiene Hose

### ESCAPE POLE STOWAGE 13

Remove large Port Pin  
Slide back - Safing Latch  
Retract,hold Locking Pin (Ring)  
Remove Large Pin  
Release Locking Pin (Ring)  
Remove STBD Pip Pin  
Stow Pole  
Reinstall Large Pin

### AIRLOCK SETUP FOR INGRESS 15

Inner Hatch	1.	Equal vlv caps (two) - remove
	2.	Open hatch per decal
	3.	Equal vlv (two) - OFF, install caps
MDDK	4.	Remove diffuser from aft middeck floor fitting and temp stow
EXT A/L	5.	Unstow duct from Tunnel extension wall
	6.	Attach free end to aft middeck floor fitting
MO13Q	7.	AIRLK 2 - ON/OFF
AW18A	8.	LTG FLOOD 1(3,4) - ON (as reqd)
	9.	√Airflow at top of external airlock halo
	10.	√NEG CAB PRESS RELIEF vlv cover (two) - CL (pushed in)



## ON-ORBIT SWITCH LIST

### LEFT SEAT

L1..... 1-19  
 L2..... 1-19  
  
 O6..... 1-19  
 O7 ..... 1-20  
 O8..... 1-20  
  
 O14..... 1-21  
 O15..... 1-22

### RIGHT SEAT

O16..... 1-22  
 O8 ..... 1-20  
  
 R1 ..... 1-18

### AFT









C5 ..... 1-22  
 C6 ..... 1-22  
 C7 ..... 1-22  
  
 A11..... 1-23

### MIDDECK-FWD

ML86B..... 1-25

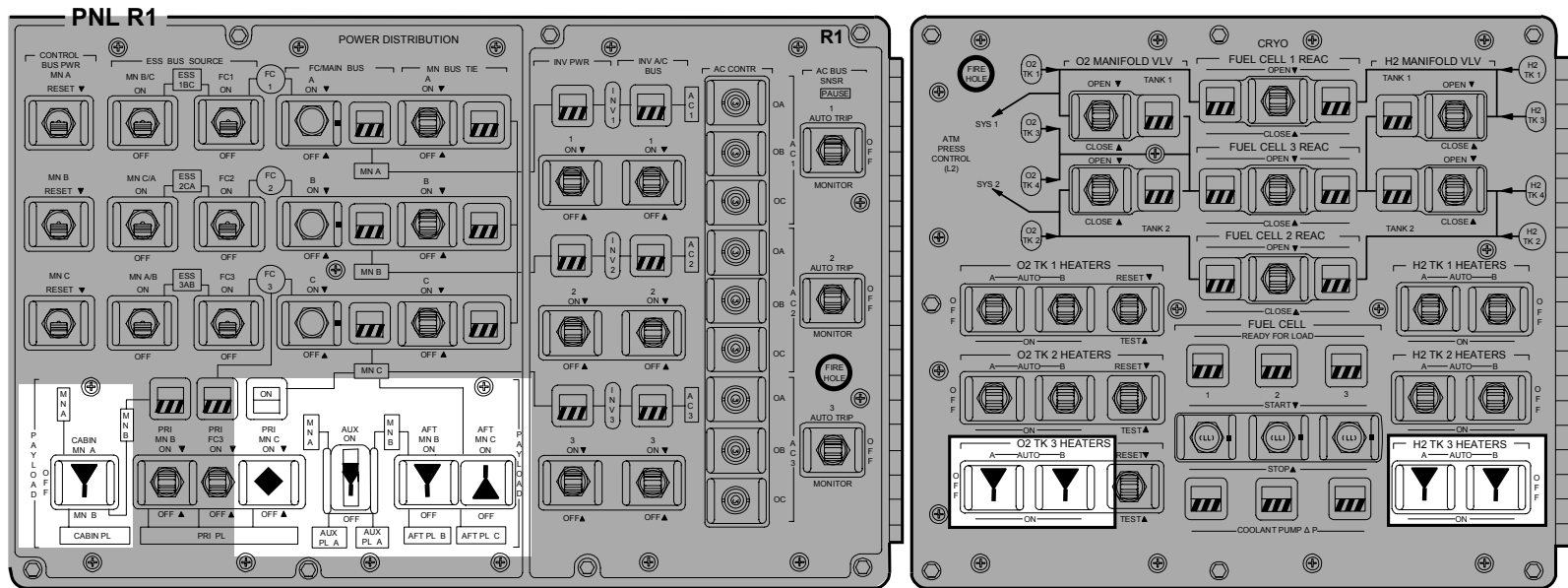
### MIDDECK-AFT

MA73C ..... 1-25  
 MO32M ..... 1-24  
 MO69M ..... 1-24  
 MO63P ..... 1-26

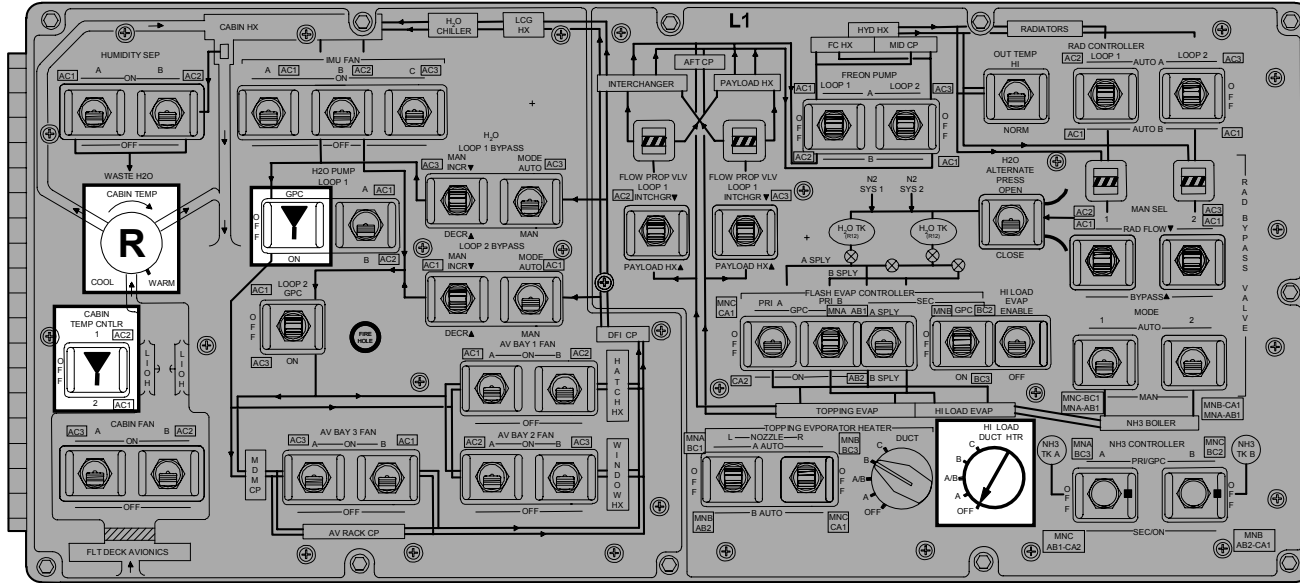
 - Up	<b>R</b> - As reqd	 - Indicates switch/display not checked during ON-ORBIT SWITCH/VERIF
 - Center	 - cb close	Switch/display pictorials are generic representations and are not intended to depict actual switch position. Check MCC if clarification reqd
 - Down	 - cb open	
 - Boxed items indicate switch configured during ON-ORBIT CONFIGURATION	 - White area indicates switch verified during ON-ORBIT SWITCH CONFIGURATION	

<u>CIRCUIT BREAKER SNAP RING COLOR CODES</u>	
<u>COLOR</u>	<u>CONFIGURATION</u>
Red	Open at all times
Green	Open on-orbit only
Yellow	Open ascent, close per procedure
Orange	Open orbit through entry
Blank (no ring)	Always closed or as required

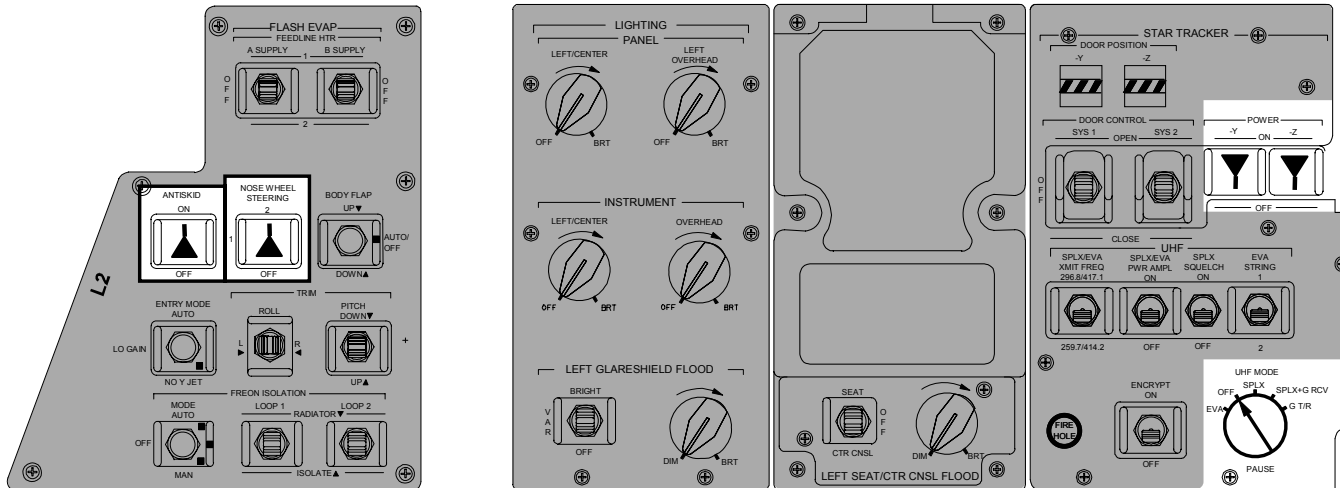
# ALL VEH



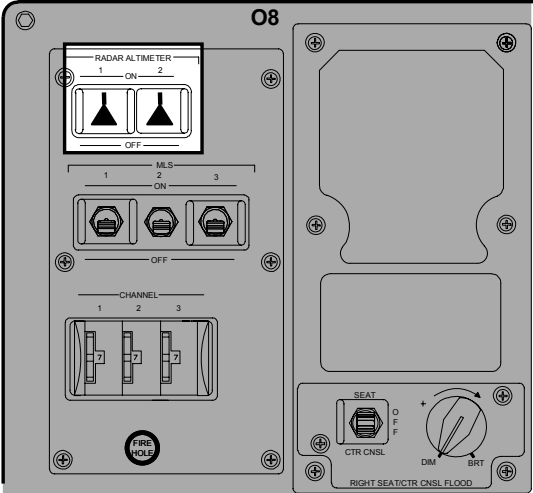
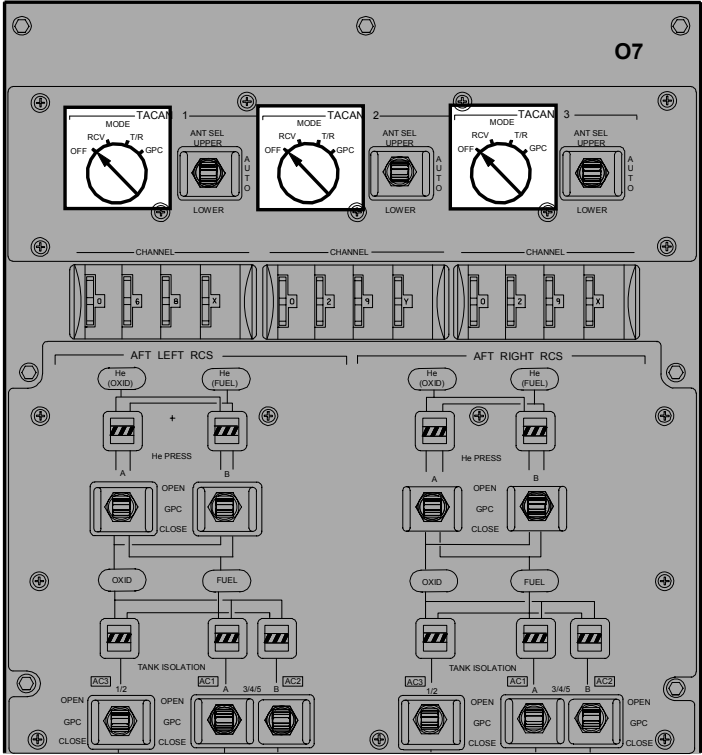
# ALL VEH



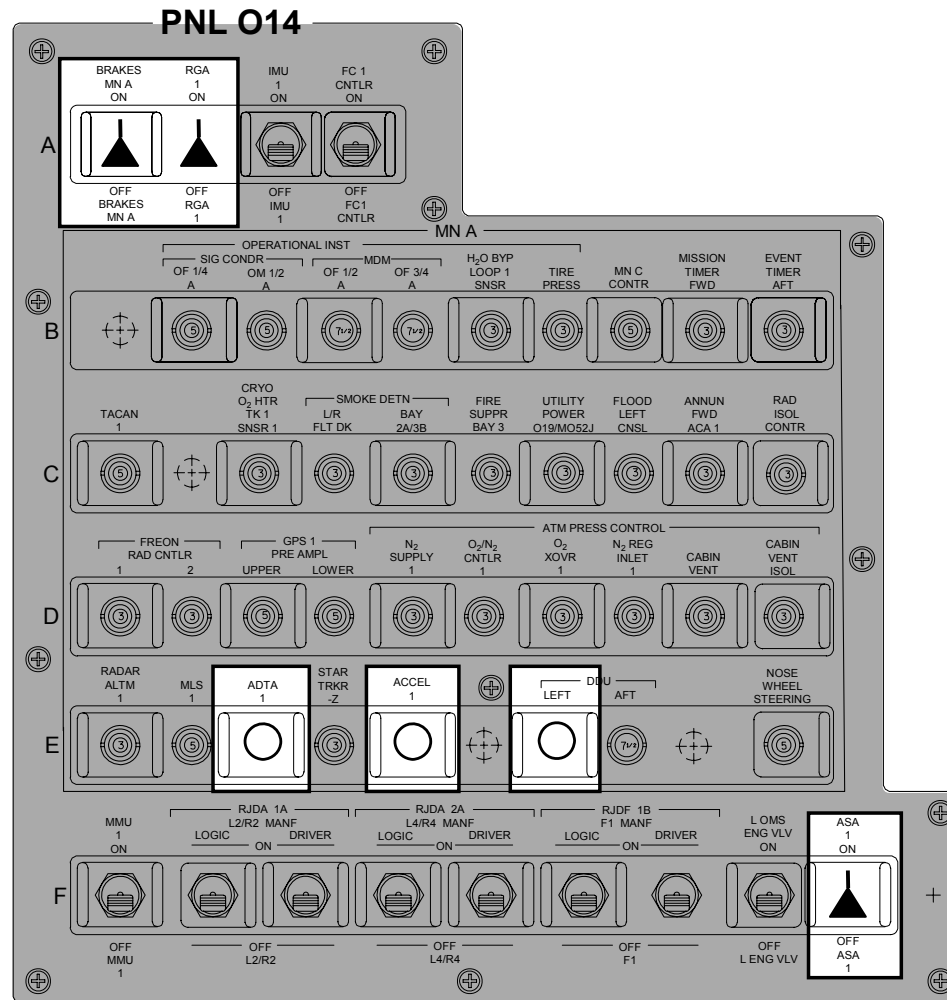
## PNL O6



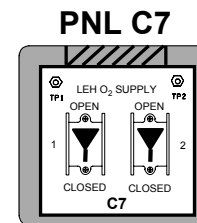
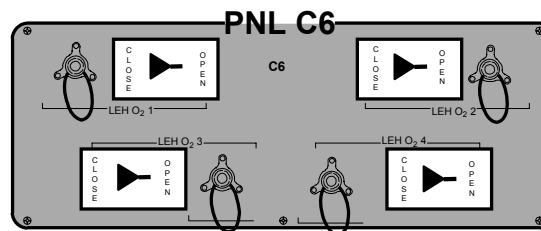
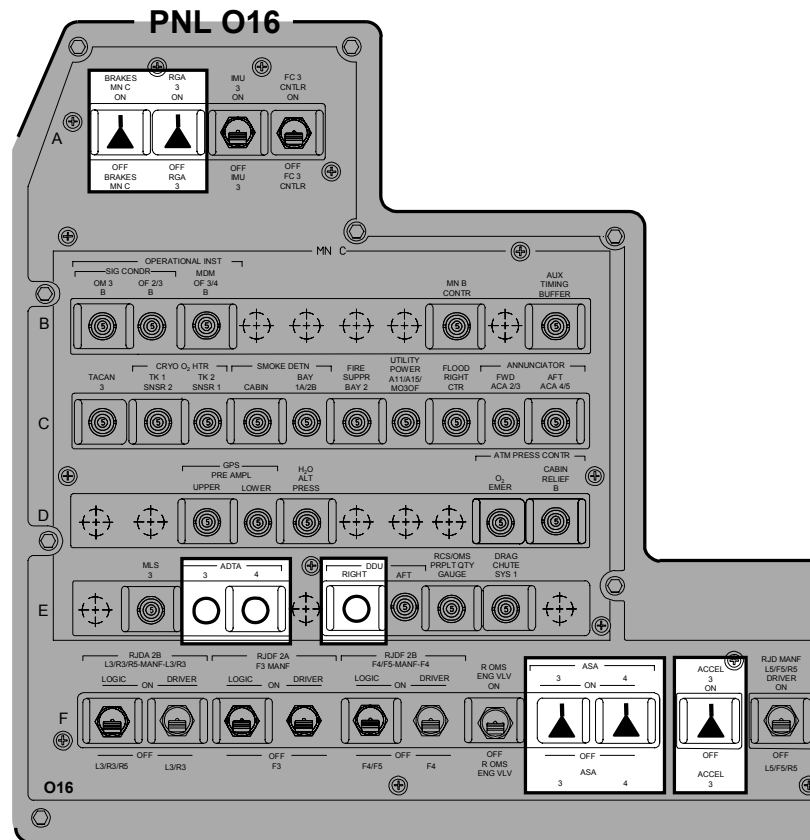
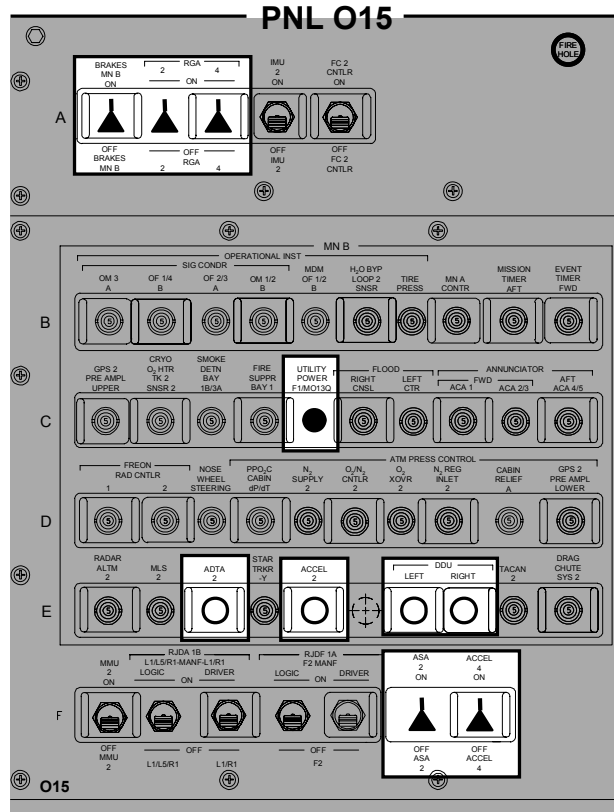
OV103, OV104



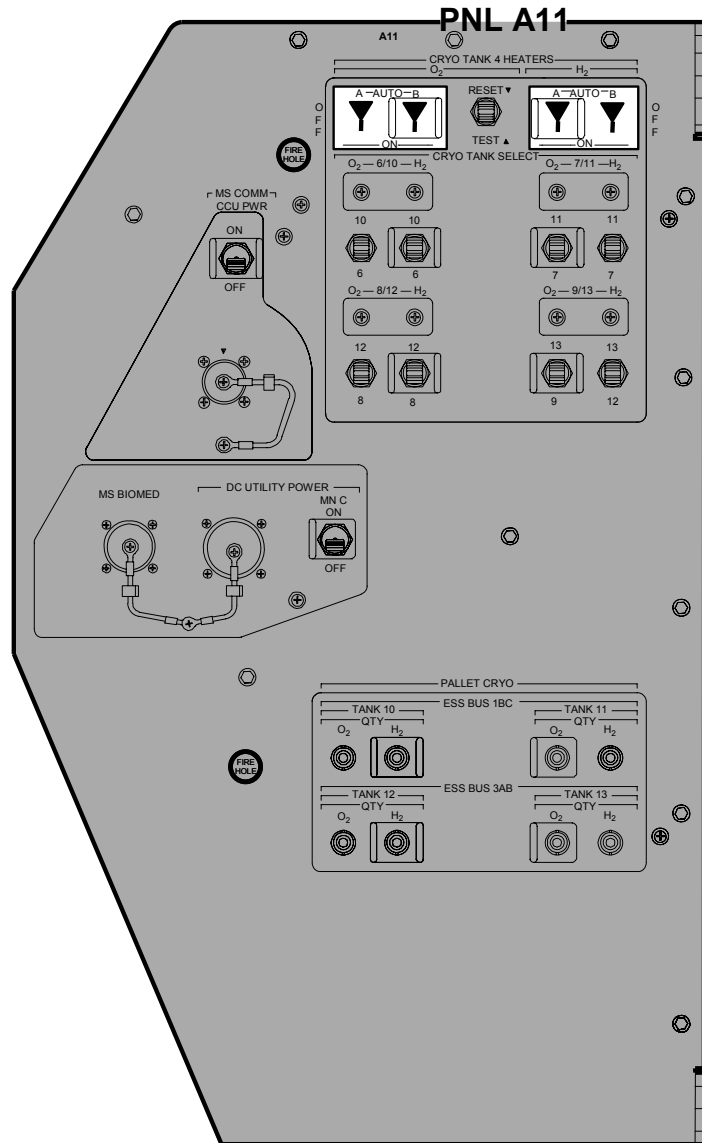
# OV104



# OV104



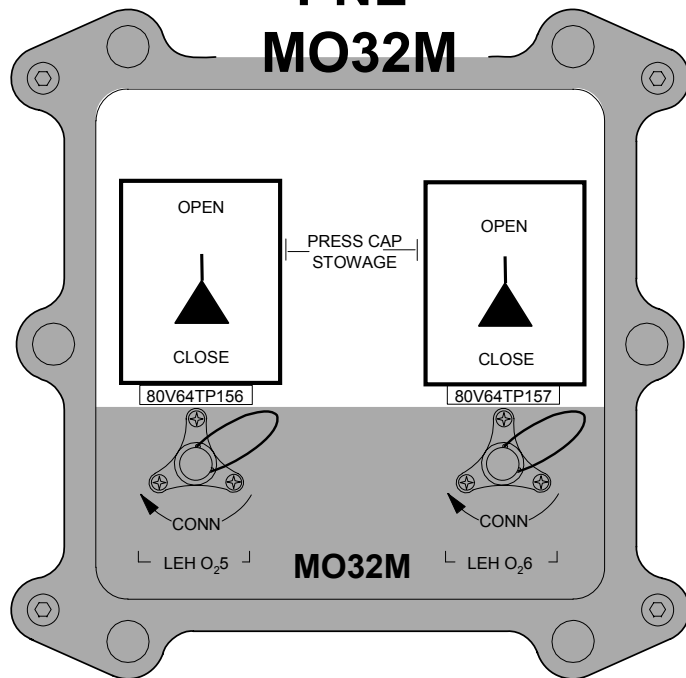
OV104



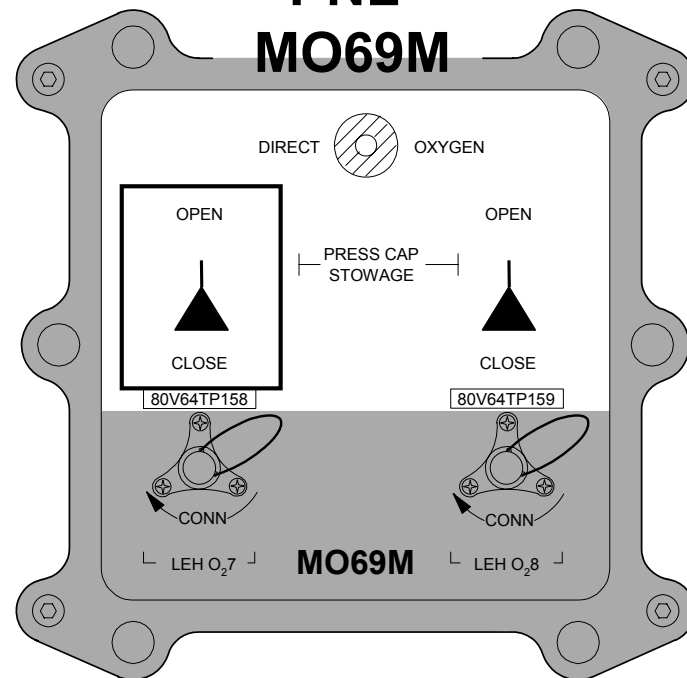
4806724\_125.PNL.1

# OV104

## PNL MO32M

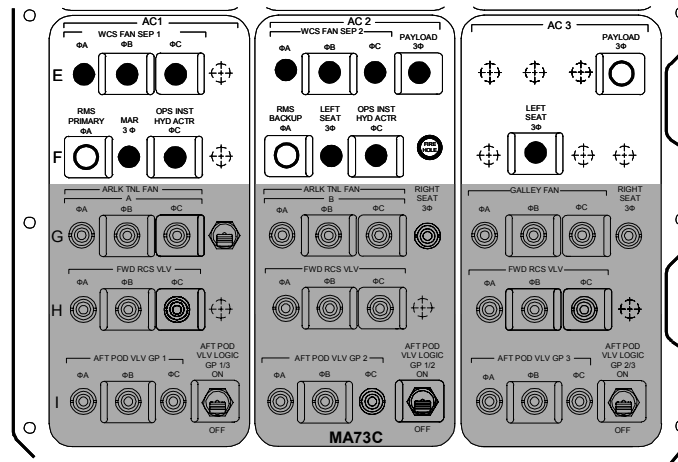
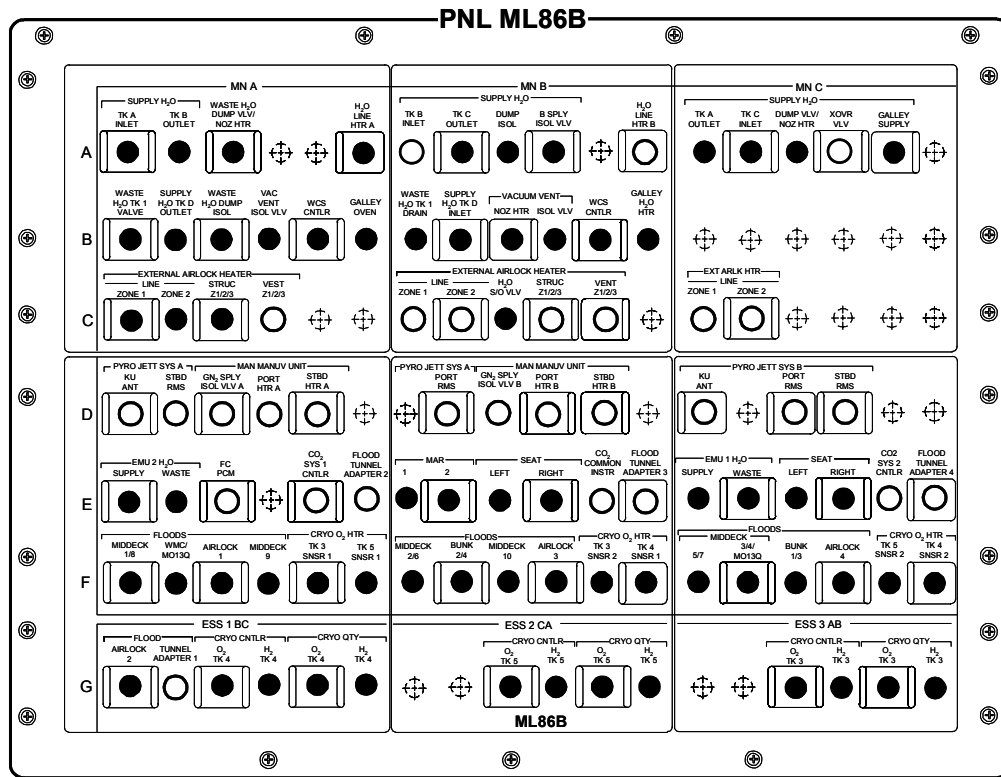


## PNL MO69M





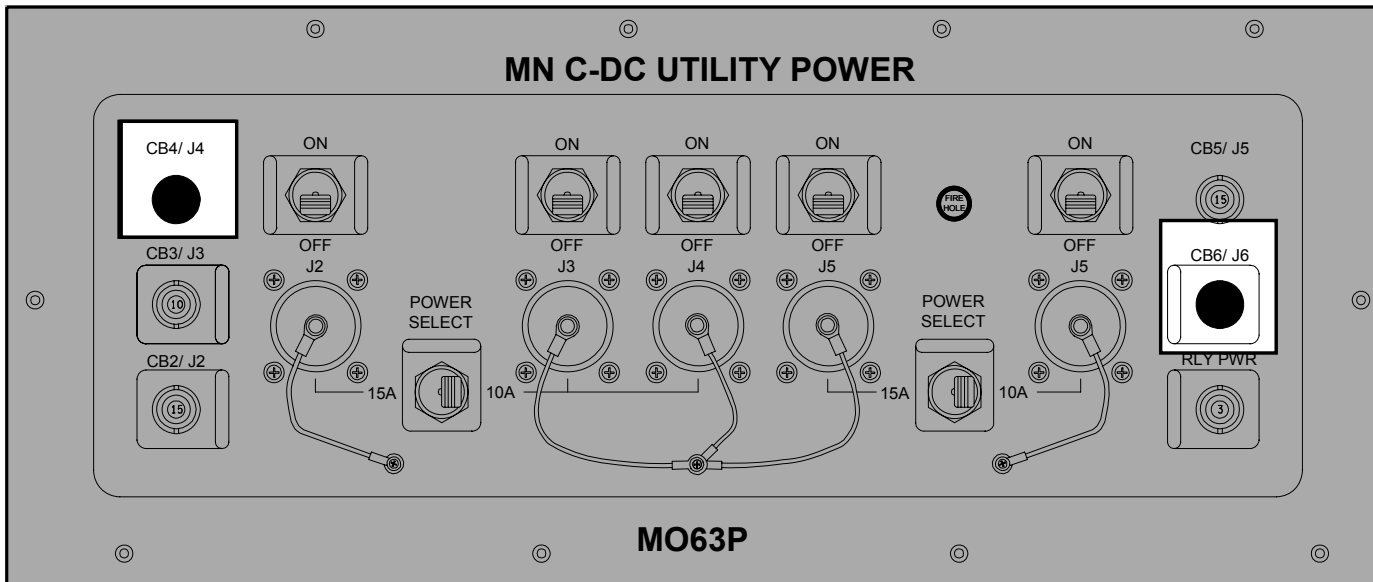
OV104



4806726\_125.PNL.2

# OV103,OV104

## PNL MO63P



# ORBIT 5/6 DEORBIT

This Page Intentionally Blank

**PEN AND INKS TO NOMINAL POST  
INSERTION FOR ORBIT 5/6 DEORBIT**

WARNING

If AV BAY FIRE (ASC PKT, PWRDN or ORBIT PKT, PWRDN) has been completed and the associated AC BUS, FF MDM, or FMCA is not recovered, √MCC for Vent Door config. Certain failure combinations will cause multiple vent doors to remain open during entry

<b>MET</b>	<b>ACTIVITY</b>
ASAP	<p>Perform PRIORITY PWRDN GROUPS A &amp; B (ORB PKT, <u>PRIOR PWRDN</u>) with following deltas:</p> <p style="padding-left: 40px;">DELETE: HI LOAD DUCT HTR OFF in Group A Pwrdn PRI RJDs DRIVER &amp; LOGIC OFF in Group B Pwrdn</p> <p>When PRIORITY PWRDN is complete, return to Nominal Post Insertion, 1-5, completing all activities except the following:</p> <p style="padding-left: 40px;">MET 1:28 OPEN PLBDs MET 1:36 KU-BD ANT DEPLOY KU-BD ANT ACTIVATION MET 1:52 POST PLBD OPS RAD CONFIG MET 1:54 SPECIALIST SEAT REMOVAL/STOWAGE MET 1:57 ESCAPE POLE STOWAGE MET 2:01 AIRLOCK SETUP FOR INGRESS MET 2:05 CONFIG VERNIER DRIVERS</p>
1:00	<p><u>If Both Voice and Command Unavailable:</u> Perform GPS INCORPORATION (ORB OPS, <u>GNC</u>)</p>
2:12	<p><u>CONFIG CONTROLS FOR ON-ORBIT</u>, 1-17 thru 1-26 (SWITCH PICTORIALS) <u>NOTE:</u> Some of these switch throws will have been done during PRIORITY POWERDOWNS</p> <p>DELETE: HI LOAD DUCT HTR – OFF, on 1-19</p>
2:30	<p>Add following MNVR: <u>MNVR (TRK) –ZLV. +YVV</u> TG = 2 BV = 3 OM = 270</p>

**PEN AND INKS TO NOMINAL D/O  
PREP FOR ORBIT 5/6 DEORBIT**

<b>TIG-</b>	<b>ACTION</b>	<b>PROCEDURES</b>
3:57	Delete	<u>COLDSOAK INITIATE</u> <b>2</b>
3:35	Delete	<u>SPECIALIST SEAT INSTALLATION</u>
3:30	Move to TIG-2:30	<u>DPS CONFIG FOR D/O PREP</u> <b>4a</b>
3:15	Move to TIG-2:20	<u>DED DISP ENT CONFIG</u> <b>6</b>
3:00	Add	<u>GNC FRP-3</u> (MAL, <u>GNC FRPs</u> ) to recover IMU 2
2:56	Delete	<u>RAD BYPASS/FES C/O</u> (ORB OPS, <u>ECLS</u> )
2:55	Delete	<u>CONFIG FOR PLBD CLOSING</u> <b>7</b>
2:40	Delete	<u>PLBD CLOSING</u> <b>9</b>
2:40	Add	<u>PWRDN BACKOUT</u> (Group A & B) (ORB PKT, <u>PRIOR PWRDN</u> ) (Delete IMU 2 recovery step)
2:26	Delete	<u>POST CLOSING CONFIG</u> <b>10</b>

# CUE CARD CONFIG

**CUE CARD  
CONFIG**

This Page Intentionally Blank





TOP

**AFT FLIGHT DECK RECONFIGURATION**

**CONFIG FOR PLBD OPERATIONS 4**

A6U SET UP LIGHTS  
ANNUN BUS SEL – MNC

NOTE

Minimum operating time for PLB Floodlights is 10 min.  
Light must be OFF for minimum of 10 min UNBLOCKED,  
16 min BLOCKED prior to reuse. ~3 min to full bright

A7U PL BAY FLOOD AFT – ON  
MID – OFF  
FWD – ON  
BHD – ON

Record MET: \_\_\_\_/\_\_\_\_:\_\_\_\_:\_\_\_\_

- \* If PLB Floodlight not ON to full bright within 5 min: \*
- \* (Aff) PL BAY FLOOD – OFF \*

SET UP P/TV

Perform ACTIVATION, OPERATION (Cue Card, TV)

If PLBD video rec desired:

Perform PLBD VTR RECORDING (Cue Card)

**RESET C/W 16**

R13U			
PARAMETER NAME	C/W CH	LOWER LIMIT	UPPER LIMIT
FREON LOOP EVAP OUT T1	107	--	1.90V/64.8 deg
T2	117	--	1.90V/64.8 deg

R13U		
PARAMETER NAME	C/W CH	ENA/INH
MPS He TK P C	9	INH
L	19	INH
R	29	INH
MPS He REG P C	39	INH
L	49	INH
R	59	INH
HYD P 1	99	INH
2	109	INH
3	119	INH

**CLOTHING CONFIG 10**

Doff, stow:

Harness, Boots, LES

Stow gloves in Helmet

Remove radiation dosimeter from LES and insert in inflight garments

Doff, stow in Wet Trash:

UCD (clamp if used)

Emesis Bag, if used (unstow new bag)

PI-1b/125/O/B

(reduced copy)

CC 3-4

PI/125/BAS 2

HOOK  
VELCRO

HOOK  
VELCRO

HOOK  
VELCRO

HOOK  
VELCRO

HOOK  
VELCRO

HOOK  
VELCRO

**MIDDECK RECONFIGURATION**

**PRELIM MIDDECK CONFIG 2**

**WARNING**  
Eye and skin damage can occur in as little as 10 sec

INSTALL FILTERS

Don Sunglasses  
Unstow, install: Side Hatch UV Filter and Locking Device, and Pyro Box Safing Pin

PRESS H2O TKA  
ML26C SPLY H2O GN2 TK VENT vlv - PRESS  
A SPLY vlv - OP

NOTE  
Disregard possible 'S66 WASTE H2O PRES' fault msg

COMM CONFIG  
MO42F Unstow: headsets, handheld mic  
MIDDECK SPKR AUD A/G 1 - T/R, tw-2  
A/G 2 - RCV, tw-2  
A/A - RCV, tw-2  
ICOM A - T/R, tw-2  
B - RCV, tw-2  
XMIT/ICOM MODE - PTT/PTT  
SPKR PWR - SPKR  
MSTR SPKR VOL - 8

MO39M MIDDECK COMM CCU PWR - OFF  
Connect HHMIC to CCU  
MIDDECK COMM CCU PWR - ON

ML86B:C cb MNA EXT ARLK HTR LINE ZN1,2 (two) - cl  
STRUC Z1/2/3 - cl  
:E cb MNA FC PCM - op

FDF CONFIG

Stow in Helmet Bag: ASCENT Cue Cards, ASC, ASC PKT, SYS AOA  
Unstow Jettison Stowage Bag, mark "Return to Houston"  
Place Helmet Bag in Return to Houston Bag

Unstow VW Bags

MET	MS AFT ACTIONS
00:53	<u>SPECIALIST SEAT EGRESS</u>
00:57	<u>PRELIM MIDDECK CONFIG 2</u>
01:07	<u>WCS CONFIG/ACT 5</u>
01:08	<u>SWITCH CONFIG/GALLEY ACT 6</u>
01:41	<u>CLOTHING CONFIG 10</u>
01:45	<u>QUICKDON MASKS SETUP 19</u>
01:54	<u>SPECIALIST SEAT REMOVAL/STOWAGE</u>
01:59	<u>ESCAPE POLE STOWAGE 13</u>
02:01	<u>AIRLOCK SETUP FOR INGRESS 15</u>

**CLOTHING CONFIG 10**

Doff, stow:  
Harness, Boots, LES  
Stow gloves in Helmet  
Remove radiation dosimeter from LES and insert in inflight garments

Doff, stow in Wet Trash:  
UCD (clamp if used)  
Emesis Bag, if used (unstow new bag)

**QUICKDON MASKS SETUP 19**

Connect QDM COMM to HIU  
Connect QDM O2 to LEH hose  
Verify operation  
Temp stow QDM/HIU assembly

PI-2a/125/O/A

(reduced copy)

TOP

**MIDDECK RECONFIGURATION**

**WCS CONFIG/ACT** 5

WCS SWITCH CONFIGURATION

ML86B:A	cb MNA H2O LINE HTR A	- cl
:B	WASTE H2O DUMP ISOL	- cl
	MNA,MNB VAC VENT ISOL VLV (two)	- cl
	WCS CNTLR (two)	- cl
	MNB VAC VENT NOZ HTR	- cl
:F	MNA FLOODS WMC/MO13Q	- cl

MA73C:E	All cbs closed except: cb AC3 PL 3Φ - op	
---------	---	--

ML31C	WASTE H2O DUMP ISOL VLV	- OP (tb-OP)
	√VAC VENT ISOL VLV BUS SEL	- MNA
	NOZ HTR	- ON
	ISOL VLV CNTL	- OP (tb-OP)

- \* If VAC VENT ISOL VLV CNTL tb - CL or bp: \*
- \* VAC VENT ISOL VLV BUS SEL - MNB \*
- \* CNTL - OP (tb-OP) \*
- \* If VAC VENT ISOL VLV CNTL tb still CL or bp: \*
- \* √MCC for further actions \*

WCS ACTIVATION

WCS  
Foot/Toe Restraints - down,locked  
VAC VLV - OP  
Unstow urinal hose from Velcro strap, install hose in cradle  
√CRADLE - AUTO  
√MODE - AUTO  
FAN SEP SEL sw - 1  
Unstow hose from cradle (√Airflow)  
√WCS ON It - on  
Stow hose in cradle  
√WCS ON It - off  
Unstow,install WCS Container, Bag & Hose, Mirror, Elbow Bag  
Dispenser, First Day Clothing  
√Ventline mated in aux Wet Trash  
Perform URINE PRETREAT SETUP (Cue Card, URINE PRETREAT CHANGEOUT)

**SWITCH CONFIG/GALLEY ACT** 6

MA73C:F	cb AC1 MAR 3Φ - cl
:G	cb AC3 GALLEY FAN (three) - cl

ML86B:A	All cbs closed except: MNB H2O LINE HTR B - op
:B	All cbs closed
:E	All cbs closed except: FLOOD TUNNEL ADAPTER (three) - op CO2 SYS 1,2 CNTLR, CO2 COMM INSTR - op FC PCM - op
:F	All cbs closed
:G	All cbs closed except: ESS1BC FLOOD TUNNEL ADAPTER 1 - op

R11L:G	SPLY H2O GALLEY SPLY VLV - OP (tb-OP)
--------	---------------------------------------

GALLEY	H2O HTRS (two) - ON
	OVEN/RHS - ON

Unstow,install Personal Hygiene Hose

**ESCAPE POLE STOWAGE** 13

- Remove large Port Pin
- Slide back - Safing Latch
- Retract,hold Locking Pin (Ring)
- Remove Large Pin
- Release Locking Pin (Ring)
- Remove STBD Pip Pin
- Stow Pole
- Reinstall Large Pin

**AIRLOCK SETUP FOR INGRESS** 15

- |             |     |  |
|-------------|-----|--|
| Inner Hatch | 1.  | Equal vlv caps (two) - remove                                |
|             | 2.  | Open hatch per decal   |
|             | 3.  | Equal vlv (two) - OFF, install caps                          |
| MDDK        | 4.  | Remove diffuser from aft middeck floor fitting and temp stow |
| EXT A/L     | 5.  | Unstow duct from Tunnel extension wall                       |
|             | 6.  | Attach free end to aft middeck floor fitting                 |
| MO13Q       | 7.  | AIRLK 2 - ON/OFF   |
| AW18A       | 8.  | LTG FLOOD 1(3,4) - ON (as reqd)                              |
|             | 9.  | √Airflow at top of external airlock halo                     |
|             | 10. | √NEG CAB PRESS RELIEF vlv cover (two) - CL (pushed in)       |

PI-2b/125/O/A

(reduced copy)

CC 3-6

PI/125/BAS

HOOK  
VELCRO

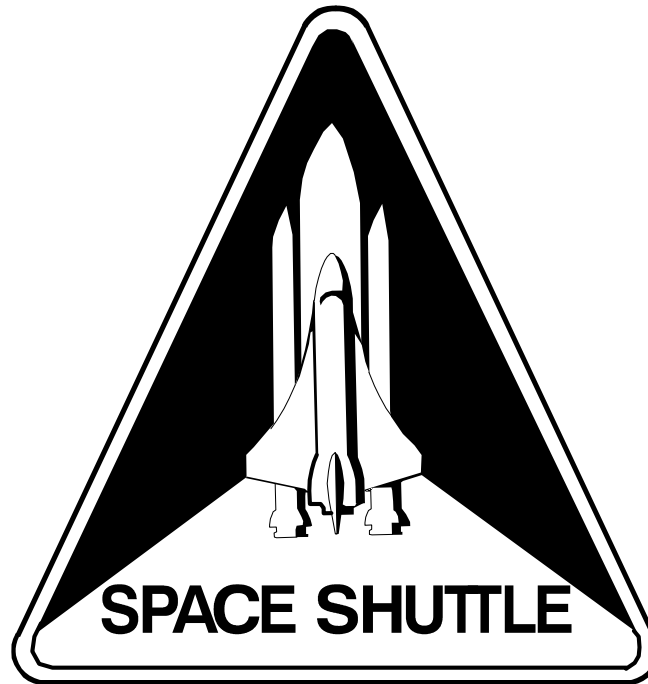
HOOK  
VELCRO

HOOK  
VELCRO

HOOK  
VELCRO

HOOK  
VELCRO

HOOK  
VELCRO



<b>POST INSERTION</b>	<b>STS 125</b>
-----------------------	--------------------