

# Reference Data

## STS-118 Flight Supplement

---

**Mission Operations Directorate  
Operations Division**

**Final  
July 24, 2007**

National Aeronautics and  
Space Administration

**Lyndon B. Johnson Space Center**  
Houston, Texas



**Verify this is the correct version for the pending operation (training, simulation or flight).**  
Electronic copies of FDF books are available. URL: <http://mod.jsc.nasa.gov/do3/FDF/index.html>



REFERENCE DATA, STS-118 Flt Suppl

FINAL (July 24, 2007)

## PCN-1 (July 24, 2007) Sheet 1 of 1

List of Implemented Change Requests (482s):

REF\_FS-0011            REF\_FS-0013  
REF\_FS-0012

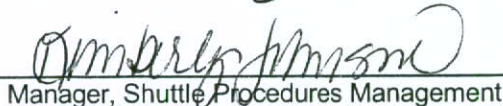
Incorporate the following:

1. Replace FS iii and FS iv
2. Replace FS 1-1 thru FS 1-12
3. Replace FS 2-3 thru FS 2-6, FS 2-9 and FS 2-10, FS 2-13 thru FS 2-16,  
FS 2-19 thru FS 2-24
4. Replace section 6 (2 pages)

Prepared by:

  
Publication Manager

Approved by:

  
Manager, Shuttle Procedures Management

Accepted by:

  
FDF Manager

Encl: 32 pages

**File this PCN immediately behind the front cover as a permanent record**



MISSION OPERATIONS DIRECTORATE

**REFERENCE DATA  
STS-118 FLIGHT SUPPLEMENT**


FINAL  
July 24, 2007

PREPARED BY:

  
Tanya J. Vaughan  
Publication Manager

APPROVED BY:

ACCEPTED BY:

  
Kimberly A. Johnson  
Manager, Shuttle  
Procedures Management

  
Michael T. Hurt  
FDF Manager

This document is under the configuration control of the Crew Procedures Control Board (CPCB). All proposed changes must be submitted via FDF Workflow Crew Procedure Change Request (CR) to DO3/FDF Manager.

Additional distribution of this book, for official use only, may be requested in writing to DO3/PMO Administrator. The request must include justification and requester's name, organization, position, and phone number. Contractor requests are made through the NASA or DOD organization supported. Deletions, reduction in quantity, or change of address may be submitted to DO3/FDF Management Office, 281-244-1184.

REF/118/FIN

Incorporates the following:
482#: REF_FS-0010

AREAS OF TECHNICAL RESPONSIBILITY

Publication Manager	DO35/T. Vaughan	281-483-4180
Asst. Publication Manager	DO35/C. Pierce	281-483-6087

REFERENCE DATA  
STS-118 FLIGHT SUPPLEMENT

**LIST OF EFFECTIVE PAGES**

FINAL      07/24/07  
PCN-1      07/24/07

Sign Off.....*	118/FIN	FS 2-7.....	118/FIN
FS ii.....*	118/FIN	FS 2-8.....	118/FIN
FS iii.....*	118/FIN 1	FS 2-9.....	118/FIN
FS iv.....*	118/FIN 1	FS 2-10.....	118/FIN 1
FS v.....*	118/FIN	FS 2-11.....	118/FIN
FS vi.....*	118/FIN	FS 2-12.....	118/FIN
FS 1-1.....	118/FIN	FS 2-13.....	118/FIN
FS 1-2.....	118/FIN 1	FS 2-14.....	118/FIN 1
FS 1-3.....	118/FIN	FS 2-15.....	118/FIN
FS 1-4.....	118/FIN 1	FS 2-16.....	118/FIN 1
FS 1-5.....	118/FIN 1	FS 2-17.....	118/FIN
FS 1-6.....	118/FIN	FS 2-18.....	118/FIN
FS 1-7.....	118/FIN 1	FS 2-19.....	118/FIN
FS 1-8.....	118/FIN	FS 2-20.....	118/FIN 1
FS 1-9.....	118/FIN	FS 2-21.....	118/FIN 1
FS 1-10.....	118/FIN 1	FS 2-22.....	118/FIN 1
FS 1-11.....	118/FIN 1	FS 2-23.....	118/FIN 1
FS 1-12.....	118/FIN	FS 2-24.....	118/FIN 1
FS 1-13.....	118/FIN	FS 3-1.....	118/FIN
FS 1-14.....	118/FIN	FS 3-2.....	118/FIN
FS 1-15.....	118/FIN	FS 3-3.....	118/FIN
FS 1-16.....	118/FIN	FS 3-4.....	118/FIN
FS 2-1.....	118/FIN	FS 3-5.....	118/FIN
FS 2-2.....	118/FIN	FS 3-6.....	118/FIN
FS 2-3.....	118/FIN 1	FS 3-7.....	118/FIN
FS 2-4.....	118/FIN 1	FS 3-8.....	118/FIN
FS 2-5.....	118/FIN	FS 4-1.....	118/FIN
FS 2-6.....	118/FIN 1	FS 4-2.....	118/FIN
		FS 4-3.....	118/FIN
		FS 4-4.....	118/FIN

\* – Omit from flight book

FS 4-5 .....	118/FIN	FS 5-1 .....	118/FIN
FS 4-6 .....	118/FIN	FS 5-2 .....	118/FIN
FS 4-7 .....	118/FIN	FS 6-1 .....	118/FIN
FS 4-8 .....	118/FIN	FS 6-2 .....	118/FIN 1
FS 4-9 .....	118/FIN	FS 7-1 .....	* 118/FIN
FS 4-10 .....	118/FIN	FS CC 7-2 .....	* 118/FIN
FS 4-11 .....	118/FIN	FS CC 7-3 .....	* 118/FIN
FS 4-12 .....	118/FIN	FS 7-4 .....	* 118/FIN
FS 4-13 .....	118/FIN		
FS 4-14 .....	118/FIN		

REF DATA CUE CARDS

<u>Title</u>	<u>Ref. Page</u>	<u>Card No.</u>
STS-118 CONSUMABLES		
(Front).....	FS CC 7-2	REF-1a/118/O/A
(Back).....	FS CC 7-3	REF-1b/118/O/A

\* – Omit from flight book



<u>CONTENTS</u>	<u>PAGE</u>
<u>LOCKER STOWAGE</u> .....	FS 1-1
STS-118 FLT DECK STOWAGE .....	FS 1-2
MIDDECK STOWAGE .....	FS 1-4
LIGHTWEIGHT MAR .....	FS 1-13
CONSUMABLES.....	FS 1-14
 <u>ALPHABETICAL STOWAGE</u> .....	 FS 2-1
 <u>FDI DOCUMENTATION STOWAGE</u> .....	 FS 3-1
LAUNCH CONFIG – LOCKER.....	FS 3-2
– ALPHABETICAL.....	FS 3-3
 <u>UTILITY OUTLET PLUG-IN PLAN</u> .....	 FS 4-1
PWR: PANEL REFERENCE	
FLT DECK .....	FS 4-2
MIDDECK.....	FS 4-3
PWR/DATA/VIDEO: PRE-ROUTED CONFIG	
FLT DECK .....	FS 4-4
MIDDECK.....	FS 4-5
PWR/DATA/VIDEO: ASCENT CONFIG	
FLT DECK .....	FS 4-6
MIDDECK.....	FS 4-7
PWR/DATA/VIDEO: ENTRY CONFIG	
FLT DECK .....	FS 4-8
MIDDECK.....	FS 4-9
PWR: ON-ORBIT CONFIG	
FLT DECK .....	FS 4-10
MIDDECK.....	FS 4-11
PWR: CREW RESCUE COOLING CONFIG	
FLT DECK .....	FS 4-12
MIDDECK.....	FS 4-13
 <u>PLB FLOODLIGHT CONSTRAINTS</u> .....	 FS 5-1
PAYLOAD BAY FLOODLIGHT CONSTRAINTS .....	FS 5-2
 <u>ENTRY STOWAGE</u> .....	 FS 6-1
FLIGHTS WITH RETENTION NET .....	FS 6-2
 <u>CUE CARD CONFIGURATION</u> .....	 FS 7-1



This Page Intentionally Blank



LOCKER STOWAGE

STS-118 FLT DECK STOWAGE .....	FS 1-2
MIDDECK STOWAGE .....	FS 1-4
LIGHTWEIGHT MAR .....	FS 1-13
CONSUMABLES .....	FS 1-14

**LOCKER**

**LOCKER**

**STS-118 FLT DECK STOWAGE**

**C4A**  
FDF

**C4F**  
FDF

**R3A**  
FDF

**R3F**  
FDF

**L10 UPPER**

AVIU  
Batt Charger, DCS  
Cables  
DCS 7V DC Pwr, 15 ft  
DCS 28V DC Pwr, 6 ft  
Digital CC Video Pwr, 15 ft  
Tapes  
Digital Video (117)  
Sony Video (14)  
VPU Plug, Green

**L10 LOWER**

VTR, Digital w/Tape

07/13/07

**L11**  
OIU  
PDIP 2

**L12**  
PDIP 1  
SSP 1/SSP 2

**R12**  
SPAS/OPP  
VPU

**A16**

Bag, DCS 760 Camera  
Bag, Dry Wipe (2)  
Batts  
NiMH (2)  
Blanket, EVA  
Cables  
Shutter Release  
Shutter Release w/Extension  
Camera, DCS 760 w/Card (EVA)  
Cleaning Solution  
Flash, DCS 760 (2)  
Flash Cord

FS 1-2

**A16**

(Cont)  
Bag, DCS 760 Camera (Cont)  
Lens  
16mm  
17-35mm  
28mm  
50mm (EVA)  
80-200mm  
Viewfinder (EVA)  
Bracket, Multiuse (3)  
Bungee (PILOT) (2)  
Cable, PILOT RS-232 Pwr/Data Y  
Desk, PGSC (3)  
PILOT Hand Controller  
Tape, Digital (18)  
Tie Wrap (PILOT) (10)

**A17**

Bag, Camcorder  
Adapters  
BNC-RCA (2)  
BNC-T (2)  
RCA-BNC  
Stereo/Mono  
AVIU  
Batts  
Li-ION (6)  
Silver Oxide, 1.5V (2)

REF/118/FIN 1

**STS-118 FLT DECK STOWAGE (Cont)**

A17

(Cont)  
Bag, Camcorder (Cont)  
  Batt Charger, Li-ION  
  Binoculars  
    8x20 (opera)  
    20x60  
  Cables  
    ATU Recorder  
    AVIU Video  
    Digital CC Vid/Pwr, 15 ft  
    DTV IEEE 1394 to Female  
    DTV IEEE 1394 to Male  
    DTV IEEE 1394 4-Pin  
    Monitor to VIU/CM, 20 ft  
    PD100 A/V Adapter  
    RCA-RCA (2)  
    Video IN/OUT  
    Y-C  
  Camcorder, PD100 w/Tape  
  Coupler, TWINAX (2)  
  Headphones  
  Lens, PD100 Wide Conversion  
  Microphone w/Batt  
  Tape, Digital Video (59)

A17

(Cont)  
Bag, DTV Camera  
  Adapter  
    A31p Video  
    BNC Straight (4)  
    RCA-BNC  
  AVIU  
  Brackets  
    Camera Mount, LOC-Line Flex  
    Multi-use (2)  
    Mini-Cam HUD  
  Cables  
    AVIU CC Video, 15 ft (3)  
    AVIU LCD, 20 ft (3)  
    Balanced Video  
    BNC Video  
    Digital CC Vid/Pwr, 15 ft  
    IEEE 1394, 15 ft  
    IEEE 1394 Crew Cabin  
    Mini-Cam AVIU Adapter  
    Mini-Cam Extension (2)  
    Mini-Cam On-Orbit  
    TV Power, 10 ft  
    VPU Patch

A17

(Cont)  
Bag, DTV Camera (Cont)  
  Cameras  
    Mini-Cam w/6mm Lens  
    Mini-Cam w/12mm Lens  
  Converter, IVA 1394  
  Kit, DTV Fuse  
  Lens, Mini-Cam 23mm  
  Transformer, Bal/Unbal  
  Pry Bar  
  Quick Don Mask (4)

07/13/07

FS 1-3

REF/118/FIN

## STS-118 MIDDECK STOWAGE

### FORWARD LOCKERS

MF14E

Food, Fresh  
Food, Fresh

MF14G

Food, Menu  
Food, Menu

MF14H

Food, Menu  
Food, Menu

MF14K

Food, Menu  
Food, Menu

MF14M

Food, Menu  
Food, Menu

MF14O

Food, Menu  
Food, Menu

07/13/07

MF28E

Air Sample Bottle (2)  
Bag, Chemical Resistant (2)  
Breaker Bar, Pallet Removal  
Breakout Box  
Cushion, Fastener Retainer  
Duxseal  
Filter, Contingency WWD  
Kits  
Foam Applicator (20)  
RMS, D&C IFM  
Lubricant  
Turnbuckle (3)

MF28G

IFM Tools (see IFM C/L)

MF28H

Post Insertion Tray 2  
Bags  
Inflight Stowage  
Jettison Stowage (5)  
Bungee, Adjustable (7)  
Canister, WCS (Coffee Can)  
Cables  
Comm, 4 ft  
Comm, 14 ft

FS 1-4

MF28H

Post Insertion Tray 2 (Cont)  
Covers  
HUD (2)  
Parachute (7)  
Hoses  
Personal Hygiene  
WCS Canister  
Kits  
PIP Pin  
Escape Pole (Spare)  
O2 Bleed Orifice  
PIP Pin (12)  
Shuttle Emergency Eyewash  
Mirror (2)  
Sleeve, Middeck Floor Fitting  
(Spare) (2)  
Strap, Velcro (50)  
Switch Guard, Computer  
Tapes  
Gray, 1 in  
Gray, 2 in (2)  
Gray on Stick, 1 in  
VLHS (2)  
Ziplock Bags  
8 in (20)  
12 in (8)

REF/118/FIN 1

## STS-118 MIDDECK STOWAGE (Cont)

### FORWARD LOCKERS (Cont)

MF28K

Post Insertion Tray 1  
Bags  
  Helmet Stowage (Extra) (2)  
  Inflight Stowage (Extra) (4)  
  Jettison Stowage (Extra) (5)  
  Kit, Mic. Handheld (3)

Food Menu

MF28M

Bag, Inflight Stowage w/G-suits (7)

MF28O

Clothing, MS5

MF43C

Batts  
  AA  
  BPSMU (4)  
  LIDAR (2)

MF43C

Batt Cap/Fuse Assy (LIDAR)  
BPSMU (2)  
Cables  
  BNC-BNC  
  BPSMU/CCU Adapter (2)  
  PGSC Pwr, 6 ft  
  RS-232 HHL Data (2)  
  SSV to PDIP/CIP (2)

Kit, SSV Fuse  
LIDAR  
LIDAR w/Nightscope  
SSV Compression Encoder  
Transformer, Bal/Unbal

MF43E

CBTM 1

MF43G

Clothing, PLT

MF43H

Batt, CDM (5)  
EMCS EC (8)  
Filter CDM  
Monitor, Carbon Dioxide (CDM)  
PHK, Community

MF43K

CBTM 3

MF43M

Clothing, MS2

MF57A (VOL A)

Food, Pantry  
  Accessories  
  Utensils

MF57C

Adapter, Bends Treatment (BTA)  
Batts  
  AA (30)  
  NiMH (4)  
Camera, DCS 760 w/card  
COAS  
  Filter Ni-CR  
Dosimeter, Audio  
Light Shade (2)  
Photo Floodlight

07/13/07

FS 1-5

REF/118/FIN 1

**STS-118 MIDDECK STOWAGE (Cont)**

**FORWARD LOCKERS (Cont)**

MF57E

CBTM 2

MF57G

FDF | SODF

MF57H

FDF

MF57K

Crew Care Package  
SODF

MF57M

Clothing, MS4

MF71C

Paper Tray, Color Printer (2)  
Iodine Removal (GIRA)

ACTEX (2)  
Adapter 'dash 2'  
Filter, Microbe (Spare)  
Hoses

ACTEX  
Filter Assy  
Microbial Check Valve (MCV)

MF71E

MERLIN

MF71G

Clothing, CDR

MF71H

CCM-A

MF71K

Clothing, MS3

MF71M

Clothing, MS1

MF71O

Crew Support

07/13/07

FS 1-6

REF/118/FIN



## STS-118 MIDDECK STOWAGE (Cont)

### AFT LOCKERS

#### MA9D

CGBA (CSI-02)

#### MA9F

Bag, Vacuum (4)  
Cable, DC Pwr, 20 ft  
Vacuum Cleaner

#### Tools

Cabin Fan Filter  
Crevice  
DDU Filter  
Flex Hose/Suction Hose  
Flex Modular

#### MA9G

Stow-n-Go  
Adapter, Stereo/Mono  
Adapter Plate, Loc-Line Flex  
AVIU (5)  
Brackets  
Camera Mount, Loc-Line Flex  
Multiuse (3)  
Bracket Base, Multiuse  
Bracket Clamp, Multiuse (3)

#### MA9G

(Cont)

#### Cables

ATU Recorder  
AVIU CC Video, 15 ft (4)  
Balanced Video (4)  
Digital CC Vid/Pwr, 15 ft (5)  
PCMCIA-WIB Remote (2)  
PD100 A/V Adapter  
VPU Patch  
Card, Dual-Port PCMCIA RS422  
Desk, PGSC (2)  
Lens, PD100 Wide Conversion  
Remote, PD100 (2)  
Tape, Digital Video (26)  
VTR, Digital w/Tape (4)

#### MA9J

Batt, PGSC A31p (5)  
Cables  
PGS/PDIP 1553  
RS-232Y, 15 ft (2)  
Card, PCMCIA 1553 (2)  
Flash Drive, 16 GB (33)  
Hard Drive, 60 GB A31p  
PGSC, A31p  
Pwr Supply, PGSC  
Strap, Velcro (50)

#### MA9L

Bag, RCC Cold  
ICE PAC (9)  
Cartridge, Manual Crack Gun (2)

#### MA9N

Kit, Personal Hygiene (PHK) (7)  
Chem Lights  
Green (27)  
Red (28)  
Kits  
Contaminant Cleanup (CCK)  
Medical Accessory (MAK)  
Fiberscope, Video  
Fiberscope Light Source  
Kit, Re-Entry (2)  
Restraints  
Foot Loop (Spare) (6)  
Seat (Spare) (2)  
Trash Bag, WMC (Spare)

07/13/07

FS 1-7

REF/118/FIN 1

## STS-118 MIDDECK STOWAGE (Cont)

### AFT LOCKERS (Cont)

#### MA16D

Condensate Collection  
CWC (Condensate)  
Hose, Y-Y  
CSA-CP  
Kits  
Formaldehyde Monitoring  
Ingress  
Braycote  
Hatch Tool, APAS  
O-Ring (4)  
Towel  
SUPA, OHS (14)

#### MA16F

Adapter, RS-422 (4)  
Board, OCA  
Cables  
RS-422 Extension, 10 ft  
Tri-Port PCMCIA RS-422/MCIU Card (2)  
Card, Dual-Port PCMCIA RS-422 (2)  
PGSCs  
STS-5 – RPOP  
STS-7 – WLES  
Pwr Supply, PGSC (2)  
Receiver, WLE (2)  
Relay (3)

07/13/07

#### MA16G

Adapter, RS-422  
Cables  
A31p DC Pwr, 10 ft  
PGSC DC Pwr, 6 ft  
Camera, Ultraport (2)  
Card, RANGELAN2 7400 (6)  
PGSCs  
STS-4 – World Map  
STS-6 – RSAD  
PROXIM/Access Point  
Pwr Supply, PGSC (4)

#### MA16J

Garment, Entry (11)  
Kit, SOMS Resuscitator  
Paper

#### MA16L

Bag, Saline (2)  
Cable, Biomed (2)  
Container, Sharps

#### MA16L

(Cont)  
Kits  
Dosimeter  
Electrode  
Medical Accessory (MAK)  
Operational Bioinstrumentation  
System  
Restraint (4)  
Subpacks  
Airway  
Drug  
EENT  
IV Administration  
Saline Supply  
Trauma

#### MA16N

Actiwatch (5)  
Kits  
Ammonia Detection  
Saliva Collection (5)  
Log Book (5)  
Muffler, CBTM (3)

FS 1-8

REF/118/FIN

## STS-118 MIDDECK STOWAGE (Cont)

### WASTE MGMT COMPARTMENT

Bag, Emesis (7)  
Prefilter, Conical (20)  
Scraper Tool  
Towel (36)  
Urinal Funnels  
    Female (Oblong) (2)  
    Female (Round)  
    Male (5)  
Washcloth (32)  
WCS Tool  
Bag, Elbow (16)  
Clothing, 1st Day (7)  
SUPA, OHS  
Trash Bag, Aux Wet  
Dry Wipe (29 pkg)  
Gloves (2 pkg)  
Trash Bag, Coffee Can (10 pkg)  
Wet Wash (6 pkg)  
Wipe, Disinfectant (3)

### VOL 3B (MA73J)

Batts  
    AAA (14)  
    Li-ION  
    NiMH  
Cable, VIU LCD, 20 ft  
Camcorder, PD100 w/Tape

### VOL 3B (MA73J)

(Cont)  
Camera, DCS 760 w/Card  
    Card, PCMCIA, 1 GB  
Flash  
Lens  
    28-70mm  
    400mm  
Monitor, LCD w/Batts  
OCAC  
Quick Don Mask (3)  
Spotlight

### VOL B (MA4D)

Not installed

### VOL D (MD52C)

CCC (4)  
Gloves, EMU (2 pr)  
Protective Cover, LWR Arm  
Disconnect (4)

### VOL E (MD76C)

OFK/PPK

### VOL F (MD76M)

Trash Bag, Wet

### VOL G (MD80R)

Bag, Apollo Fecal (40)  
CUCD, Male (54)  
CWC (Contingency Only) (2)  
Filter, OBF (Spare)  
Gloves (1 pkg)  
Pull-Ups (24)  
Ziplock Bag, 13x18 (8)

### LiOH VOL (MD52M)

Canisters  
    ATCO  
    LiOH (29)

### EXTERNAL AIRLOCK

#### PORT

EMU – EV2 (see EVA C/L)

#### STBD

EMU – EV1 (see EVA C/L)

07/13/07

FS 1-9

REF/118/FIN

## STS-118 MIDDECK STOWAGE (Cont)

### AIRLOCK FLOOR BAG

#### Bags

- EVA Transfer
- In-Suit Drink (ISDB) (24)
- Batt, EMU
- Mini Work Station (MWS) (2)
- Mount, SAFER Hand Controller
- Socket Extension, Rigid, 5/8-in x 7.8-in
- Tethers
  - Adjustable Equipment (2)
  - Body Restraint (2)
  - Safety, 85 ft (2)
  - Waist (4)
- Wire Tie (55)
- Wrench, Torque

### VOL H (MD23R)

#### INBOARD

- See EVA C/L

#### OUTBOARD

- See EVA C/L

### MA12B (WINDOW SHADE BAG)

#### Bag, Window Shade

- Bag, IFM Cont Hose and Cable Kit
  - Adapter, Yellow/Red
  - Cables
    - AC Pwr Cont Transfer, 15 ft
    - DC Harness, 24 ft (2)
    - DC Pigtail Connector (2)
- Cover, VPMP
- Clamp, Various Sizes (14)
- Gloves, Clean Room
- Hoses
  - 1/4 in (6 ft)
  - 3/8 in (6 ft)
  - Cont Blue/Blue
  - Cont Red/Red
  - Cont Yellow/Yellow
  - CWC Contingency
  - O2 Contingency
- Protective Cover Wireway (3)
- Water Equipment Assy
  - Galley Needle (Spare)
  - Kit, Parachute Repack (2)
  - Nozzle, Free Fluid
  - Purge Device
  - Separator, Water/Gas (2)
  - Water Dispenser, Contingency

### MA12B (WINDOW SHADE BAG)

#### (Cont)

- Bag, Window Shade (Cont)
- Panel Covers
  - A8
    - Fasteners (6)
    - Lower
    - Upper
  - R2
    - Elastic Tie Downs
    - Snap Ties (2)
    - Standoffs (5)
    - Stiffeners (2)
- Shade, CCTV Monitor (2)
- Window Shades, Ovhd (2)

### MIDDECK CEILING

#### E (PORT 1)

- Adapter, COAX Cable Torque (2)
- Batt, AA (6)
- Emittance Wash Applicator (2)
- Kit, Gel Brush (2)
- Multiplexer, DnIk Data
- Processor, Vertical Interval (VIP)
- Thermal Sensor, EVA
- Tool Pouch, DTV MUX
- VTR, Digital w/Tape
- Wrench, RCC Leading Edge

07/13/07

FS 1-10

REF/118/FIN 1

## STS-118 MIDDECK STOWAGE (Cont)

### MIDDECK CEILING

(Cont)

#### F (PORT 2)

BUDA  
BRT  
Tool, EVA Punch  
Pins

#### CTB-ISS Transfer (CHeCS)

Card, PCMCIA (4)  
Kit, Resupply  
CSA-CP (ISS)  
CO2 Monitor (CDMK)

Loop Extractor  
Ram (18)  
Valve Sample Distribution (2)  
Wire Tie, IVA (45)

#### G (STBD 1)

Blanket, Thermal SSU Housing (2)  
Cable, CEVIS Display  
Clothing, MS5  
CEVIS Cycle Ergometer

CTB-ISS Transfer (PBA/QDM)  
Cylinder PBA (2)  
Harness, PBA (2)  
QDM (ISS) (4)

#### CTB-ISS Transfer (CEVIS/EWIS)

Cable, Ethernet-NCU Lab  
Kit, CEVIS Resupply  
Pants, Cargo (2)  
Terminator, EVA  
Wire Ties (25)

### MIDDECK CEILING

(Cont)

#### G (STBD 1) (Cont)

#### B (STBD 2)

HOPA  
SPU (5)

### MIDDECK FLOOR

#### A (PORT 1)

Kit, VOA  
Pack Ambulatory Medical (AMP)  
Reader, LOCAD-PTS

#### CTB-ISS HRM/IMAK

Heart Rate Monitor (HRM) (2)  
ISS Medical Accessory Kit  
(IMAK) (2)

Kit, Swab  
Multical Pressure Probe  
Strap, Chest (4)

#### Velocicalc Meter

#### CTB-ISS ACBSP

Assy Cont Baseband Signal  
Processor (ACBSP)

#### CTB-ISS Air Sample

Air Sample Bottles (9)  
Kit, Formaldehyde Monitoring (FMK)

#### CTB-ISS QDM

QDM (ISS) (3)

### MIDDECK FLOOR

(Cont)

#### H (PORT 2)

Bulb, Flood Light (10)  
Cable, Power-FGB Contingency (2)  
CCC (2)  
Phosphate Removal Assy  
Tethers

Adjustable Equipment (6)  
Tie Down (4)

Wrenches,  
Allen, 1/4 in  
Allen, 1/2 in

#### CTB-ISS PhOSRA

Insulation Jacket, Phosphate  
removal (2)  
Insulation Sleeve, QD HHR (6)  
Jumper, Low Temp TCS

#### C (STBD 1)

Bag, Double Cold  
Boot Sizing Insert (2)  
Cap, Toe (2)  
Chair, NADA (6)  
CWC (ISS Water Transfer) (2)  
Kits  
EVA Crew Options (ECOK)  
Mineral Syringe (Water Transfer)  
Liner, Sleeping Bag (7)

07/13/07

FS 1-11

REF/118/FIN 1

**STS-118 MIDDECK STOWAGE (Cont)**

**MIDDECK FLOOR**

(Cont)

D (STBD 2)

Cap, 3 in (A/L Floor)

Duct, Booster Fan Bypass for  
SpaceHab

FRED

Strap, Velcro (Booster Fan Bypass) (12)

Tie Wrap, Booster Fan Bypass (4)

Towel (41)

Washcloth (122)

CTB-Hygiene

Bag, Emesis (13)

Dry Wipe (48 pkg)

Gloves (1 pkg)

Gloves, Shoulder Length (1 pkg)

Prefilter, Conical (20)

Trash Bags

Coffee Can (5 pkg)

Elbow (6)

Wet Wash (16 pkg)

07/13/07

FS 1-12

REF/118/FIN

## STS-118 LIGHTWEIGHT MAR

### ML60B

#### Cables

- CCTV Cabin, 20 ft
- RS-232 PGSC
- TV Controller/CIP
- TV Controller/CTVM
- Camera, Centerline (Prime)
- Feeler Gauge (4)
- Harness, Camera (Prime)
- Screw/Washer Assy (Centerline Camera)
- TVCU
- Wipe, Disinfectant

### ML60E

#### Adapters

- BNC Straight (2)
- Dual-Port PCMCIA RS-422
- Ethernet PCMCIA w/Adapter Cable (7)
- RS-422

#### Cables

- A31p DC Pwr, 10 ft
- A31p Video Adapter
- Ethernet, 3 ft (3)
- Ethernet, 25 ft (2)
- OCA I/F, 25 ft
- OPP to LCS RJ45, 20 ft
- PCMMU, 24 ft
- PCMMU Fuel Cell
- PDIP RS-422 Y Data, 24 ft

### ML60E

#### (Cont)

#### Cables (Cont)

- PGSC DC Pwr, 6 ft
- PGSC DC Pwr, 10 ft
- PGSC DC Pwr, 25 ft
- RS-422 Y, 15 ft
- VLHS to VTS I/F (2)
- Ethernet T-Connector (4)
- Ethernet Terminator
- Expansion Chassis
- Floppy Drive, External
- PGSCs

- STS-1 – OCA Router
- STS-2 – WINDECOM
- STS-3 – KFX
- STS-8 – PILOT
- Pwr Supply, PGSC (2)

### ML60J

#### Cables

- AC Pwr, 15 ft
- AC W
- Ethernet, 3 ft
- Parallel Data, 25 ft
- Cartridge, Ink Printer (4)
- Ethernet T-Connector
- Paper (2)
- Printer, Color

### ML60J

#### (Cont)

- Bag, CIPAA Containment
- Nozzle
- Sack, Multipurpose CIPAA (2)
- TRAD

### ML60M

#### Bags

- Camera, Centerline (Backup)
- Harness, Camera (Backup)
- Leak Detector, Ultrasonic
- Acoustic Tip
- Adapter
- Batt, 9V (2)
- Concentrator
- Headset
- Probe, Extension (3)
- Receiver
- Transmitter

## STS-118 CONSUMABLES

<u>Item</u>	<u>Location</u>	<u>Total Qty</u>
Contingency Urine/Fecal Collection Devices:		
CUCDs (male)	Vol G (MD80R)	54
Apollo Fecal Bags	Vol G (MD80R)	40
Pull-Ups	Vol G (MD80R)	24
Dry Wipes (24/pkg) (24/cm/day)	Waste Mgmt Compartment	29 pkg 696
	MD Floor Bag 2 (STBD D)	48 pkg 1152
	SpaceHab	23 pkg <u>552</u>
		2400
Elbow Bags	Waste Mgmt Compartment	16
	MD Floor Bag 2 (STBD D)	6
	SpaceHab	<u>6</u>
		28
Emesis Bags	Waste Mgmt Compartment	7
	MD Floor Bag 2 (STBD D)	<u>13</u>
		20
Gloves (50/pkg) (2/cm/day)	Waste Mgmt Compartment	2 pkg 100
	MD Floor Bag 2 (STBD D)	1 pkg 50
	Vol G (MD80R)	1 pkg <u>50</u>
		200
Gloves, Shoulder Length	MD STBD Floor Bag 2 (D)	1 pkg 25
Prefilters, Conical	Waste Mgmt Compartment	20
	MD Floor Bag 2 (STBD D)	<u>20</u>
		40
SUPA, OHS	MA16D	14
Towels (1/cm/day)	Waste Mgmt Compartment	36
	MD Floor Bag 2 (STBD D)	41
	SpaceHab	<u>21</u>
		98
Trash Bag (Coffee Can) (10/pkg) (2/cm/day)	Waste Mgmt Compartment	10 pkg 100
	MD Floor Bag 2 (STBD D)	5 pkg 50
	SpaceHab	6 pkg <u>60</u>
		210

NOTE: The qty/day is based on 7 crewmembers and 14 days (98 CM-days)

07/13/07

FS 1-14

REF/118/FIN



**STS-118 CONSUMABLES (Cont)**

<u>Item</u>	<u>Location</u>		<u>Total Qty</u>
Washclothes (2/cm/day)	Waste Mgmt Compartment		32
	MD Floor Bag 2 (STBD D)		122
	SpaceHab		<u>42</u>
			196
Wet Washes (40/pkg) (11/cm/day)	Waste Mgmt Compartment	6 pkg	240
	MD Floor Bag 2 (STBD D)	16 pkg	640
	SpaceHab	5 pkg	<u>200</u>
			1080
Wipes, Disinfectant (25/pkg)	Waste Mgmt Compartment	3 pkg	75
	ML60B	1 pkg	<u>25</u>
			100

---

NOTE: The qty/day is based on 7 crewmembers and 14 days (98 CM-days)



This Page Intentionally Blank





ALPHA-  
BETIC

ALPHABETICAL STOWAGE



FS 2-1

REF/118/FIN

**ALPHA-  
BETIC**

**ALPHABETICAL STOWAGE**

<u>ITEM</u>	<u>QTY</u>	<u>LOCATION</u>	<u>NOTES</u>
<b>A</b>			
Accessories		MF57A	Vol A, Pantry Food
Acoustic Tip		ML60M	Ultrasonic Leak Detector
ACTEX	2	MF71C	Iodine Removal (GIRA)
Activatch	5	MA16N	
Adapter		ML60M	Ultrasonic Leak Detector
Adapter, A31p Video		A17	DTV Camera Bag
Adapter, Bends Treatment (BTA)		MF57C	
Adapter, BNC-RCA	2	A17	Camcorder Bag
Adapter, BNC Straight	4	A17	DTV Camera Bag
	2	ML60E	
Adapter, BNC-T	2	A17	Camcorder Bag
Adapter, COAX Cable Torque	2	MD Ceiling	E (PORT 1)
Adapter, 'dash 2'		MF71C	Iodine Removal (GIRA)
Adapter, Dual-Port PCMCIA RS-422	2	ML60E	
Adapter, Ethernet PCMCIA w/Adapter Cable	7	ML60E	
Adapter, RCA-BNC		A17	Camcorder Bag
		A17	DTV Camera Bag
Adapter, RS-422	4	MA16F	
		MA16G	
		ML60E	
Adapter, Stereo/Mono		A17	Camcorder Bag
		MA9G	Stow-n-Go
Adapter, Yellow/Red		MA12B	Window Shade Bag, IFM CHCK Bag
Adapter Plate, Loc-Line Flex		MA9G	Stow-n-Go
Air Sample Bottle	2	MF28E	
	9	MD Floor	A (PORT 1), CTB-ISS Air Sample
07/13/07		FS 2-2	REF/118/FIN

<u>ITEM</u>	<u>QTY</u>	<u>LOCATION</u>	<u>NOTES</u>
<b>A (Cont)</b>			
Assy, Cont Baseband Signal Processor (ACBSP) AVIU	5	MD Floor L10 Upper A17 A17 MA9G	A (PORT 1)  Camcorder Bag DTV Camera Bag Stow-n-Go
<b>B</b>			
Bag, Apollo Fecal	40	Vol G	MD80R
Bag, Camcorder		A17	
Bag, Chemical Resistant	2	MF28E	
Bag, CIPAA Containment		ML60J	
Bag, Dry Wipe	2	A16	DCS 760 Camera Bag
Bag, DCS 760 Camera		A16	
Bag, Double Gold		MD Floor	C (STBD 1)
Bag, DTV Camera		A17	
Bag, Elbow	16	WMC	
Bag, Emesis	7	WMC	
	13	MD Floor	D (STBD 2), CTB-Hygiene
Bag, EVA Transfer		A/L Floor Bag	
Bag, Helmet Stowage (Extra)	2	MF28K	Post Insertion Tray 1
Bag, IFM Cont Hose and Cable Kit		MA12B	Window Shade Bag
Bag, Inflight Stowage		MF28H	
Bag, Inflight Stowage (Extra)	4	MF28K	Post Insertion Tray 1
Bag, Inflight Stowage w/G-Suits	7	MF28M	
Bag, In-Suit Drink (ISDB)	24	A/L Floor Bag	
Bag, Jettison Stowage	5	MF28H	Post Insertion Tray 2
Bag, Jettison Stowage (Extra)	5	MF28K	Post Insertion Tray 1

07/13/07

FS 2-3

REF/118/FIN 1

<u>ITEM</u>	<u>QTY</u>	<u>LOCATION</u>	<u>NOTES</u>
<b>B (Cont)</b>			
Bag, RCC Cold		MA9L	
Bag, Saline	2	MA16L	
Bag, Vacuum	4	MA9F	
Bag, Window Shade		MA12B	
Batt, 9V	2	ML60M	Ultrasonic Leak Detector
Batt, AA		MF43C	
	30	MF57C	
	6	MD Ceiling	E (PORT 1)
Batt, AAA	14	Vol 3B	MA73J
Batt, BPSMU	4	MF43C	
Batt, CDM	5	MF43H	
Batt, EMU		A/L Floor Bag	
Batt, LIDAR	2	MF43C	
Batt, Li-ION	6	A17	Camcorder Bag
		Vol 3B	MA73J
Batt, NiMH	2	A16	DCS 760 Camera Bag
	4	MF57C	
		Vol 3B	MA73J
Batt, PGSC A31p	5	MA9J	
Batt, Silver Oxide, 1.5V	2	A17	Camcorder Bag
Batt Cap/Fuse Assy (LIDAR)		MF43C	
Batt Charger, DCS		L10 Upper	
Batt Charger, Li-ION		A17	Camcorder Bag
Binoculars, 8x20 (opera)		A17	Camcorder Bag
Binoculars, 20x60		A17	Camcorder Bag
Blanket, EVA		A16	DCS 760 Camera Bag
Blanket, Thermal SSU Housing	2	MD Ceiling	G (STBD 1)
Board, OCA		MA16F	
Boot Sizing Insert	2	MD Floor	C (STBD 1)
07/13/07		FS 2-4	REF/118/FIN 1

<u>ITEM</u>	<u>QTY</u>	<u>LOCATION</u>	<u>NOTES</u>
<b>B (Cont)</b>			
BPSMU	2	MF43C	
Bracket, Camera Mount, Loc-Line Flex		A17	DTV Camera Bag
		MA9G	Stow-n-Go
Bracket, Mini-Cam HUD		A17	DTV Camera Bag
Bracket, Multiuse	3	A16	
	2	A17	DTV Camera Bag
	3	MA9G	Stow-n-Go
Bracket Base, Multiuse		MA9G	Stow-n-Go
Bracket Clamp, Multiuse	3	MA9G	Stow-n-Go
Braycote		MA16D	Ingress Kit
Breaker Bar, Pallet Removal		MF28E	
Breakout Box		MF28E	
BRT		MD Ceiling	F (PORT 2)
BUDA		MD Ceiling	F (PORT 2)
Bulb, Flooflight	10	MD Floor	H (PORT 2)
Bungee, Adjustable	7	MF28H	Post Insertion Tray 2
Bungee (PILOT)	2	A16	
<b>C</b>			
Cable, A31p DC Pwr, 10 ft		MA16G	
		ML60E	
Cable, A31p Video Adapter		ML60E	
Cable, AC Pwr, 15 ft		ML60J	
Cable, AC Pwr Cont Transfer, 15 ft		MA12B	Window Shade Bag, IFM CHCK Bag
Cable, AC W		ML60J	
Cable, ATU Recorder		A17	Camcorder Bag
		MA9G	Stow-n-Go

07/13/07

FS 2-5

REF/118/FIN

<u>ITEM</u>	<u>QTY</u>	<u>LOCATION</u>	<u>NOTES</u>
<b>C (Cont)</b>			
Cable, AVIU CC Video, 15 ft	3	A17	DTV Camera Bag
	4	MA9G	Stow-n-Go
Cable, AVIU LCD, 20 ft	3	A17	DTV Camera Bag
Cable, AVIU Video		A17	Camcorder Bag
Cable, Balanced Video		A17	DTV Camera Bag
	4	MA9G	Stow-n-Go
Cable, Biomed	2	MA16L	
Cable, BNC-BNC		MF43C	
Cable, BNC Video		A17	DTV Camera Bag
Cable, BPSMU/CCU Adapter	2	MF43C	
Cable, CCTV Cabin, 20 ft		ML60B	
Cable, CEVIS Display		MD Ceiling	G (STBD 1)
Cable, Comm, 4 ft		MF28H	Post Insertion Tray 2
Cable, Comm, 14 ft		MF28H	Post Insertion Tray 2
Cable, DC Harness, 24 ft	2	MA12B	Window Shade Bag, IFM CHCK Bag
Cable, DC Pigtail Connector	2	MA12B	Window Shade Bag, IFM CHCK Bag
Cable, DC Pwr, 20 ft		MA9F	
Cable, DCS 7V DC Pwr, 15 ft		L10 Upper	
Cable, DCS 28V DC Pwr, 6 ft		L10 Upper	
Cable, Digital CC Vid/Pwr, 15 ft		L10 Upper	
		A17	Camcorder Bag
	5	A17	DTV Camera Bag
		MA9G	Stow-n-Go
Cable, DTV IEEE 1394 4-Pin		A17	Camcorder Bag
Cable, DTV IEEE 1394 to Female		A17	Camcorder Bag
Cable, DTV IEEE 1394 to Male		A17	Camcorder Bag

07/13/07

FS 2-6

REF/118/FIN 1



<u>ITEM</u>	<u>QTY</u>	<u>LOCATION</u>	<u>NOTES</u>
<b>C (Cont)</b>			
Cable, Ethernet, 3 ft	3	ML60E	
		ML60J	
Cable, Ethernet, 25 ft	2	ML60E	
Cable, Ethernet-NCU Lab		MD Ceiling	G (STBD 1), CTB-ISS Transfer (CEVIS/EWIS)
Cable, IEEE 1394, 15 ft		A17	DTV Camera Bag
Cable, IEEE 1394 Crew Cabin		A17	DTV Camera Bag
Cable, Mini-Cam AVIU Adapter		A17	DTV Camera Bag
Cable, Mini-Cam Extension	2	A17	DTV Camera Bag
Cable, Mini-Cam On-Orbit		A17	DTV Camera Bag
Cable, Monitor to VIU/CM, 20 ft		A17	Camcorder Bag
Cable, OCA I/F, 25 ft		ML60E	
Cable, OPP to LCS RJ45, 20 ft		ML60E	
Cable, Parallel Data, 25 ft		ML60J	
Cable, PCMCIA-WIB Remote	2	MA9G	Stow-n-Go
Cable, PCMMU, 24 ft		ML60E	
Cable, PCMMU Fuel Cell		ML60E	
Cable, PD100 A/V Adapter		A17	Camcorder Bag
		MA9G	Stow-n-Go
Cable, PDIP RS-422 Y Data, 24 ft		ML60E	
Cable, PGSC DC Pwr, 6 ft		MA16G	
		ML60E	
Cable, PGSC DC Pwr, 10 ft		ML60E	
Cable, PGSC DC Pwr, 25 ft		ML60E	
Cable, PGS/PDIP 1553		MA9J	
Cable, PGSC Pwr, 6 ft		MF43C	
Cable, PILOT RS-232 Pwr/Data Y		A16	
Cable, Pwr-FGB Contingency	2	MD Floor	H (PORT 2)
Cable, RCA-RCA	2	A17	Camcorder Bag
07/13/07		FS 2-7	REF/118/FIN

<u>ITEM</u>	<u>QTY</u>	<u>LOCATION</u>	<u>NOTES</u>
<b>C (Cont)</b>			
Cable, RS-232 HHL Data	2	MF43C	
Cable, RS-232 PGSC		ML60B	
Cable, RS-232 Y, 15 ft	2	MA9J	
Cable, RS-422 Extension, 10 ft		MA16F	
Cable, RS-422 Y, 15 ft		ML60E	
Cable, Shutter Release		A16	DCS 760 Camera Bag
Cable, Shutter Release w/Extension		A16	DCS 760 Camera Bag
Cable, SSV to PDIP/CIP	2	MF43C	
Cable, Tri-Port PCMCIA RS-422/MCIU Card	2	MA16F	
Cable, TV Controller/CIP		ML60B	
Cable, TV Controller/CTVM		ML60B	
Cable, TV Pwr, 10 ft		A17	DTV Camera Bag
Cable, Video IN/OUT		A17	Camcorder Bag
Cable, VIU LCD, 20 ft		Vol 3B	MA73J
Cable, VLHS to VTS I/F	2	ML60E	
Cable, VPU Patch		A17	DTV Camera Bag
		MA9G	Stow-n-Go
Cable, Y-C		A17	Camcorder Bag
Camcorder, PD100 w/Tape		A17	Camcorder Bag
		Vol 3B	MA73J
Camera, Centerline (Prime)		ML60B	
Camera, Centerline (Backup)		ML60M	
Camera, DCS 760 w/Card		MF57C	
		Vol 3B	MA73J
Camera, DCS 760 w/Card (EVA)		A16	DCS 760 Camera Bag
Camera, Mini-Cam w/6mm Lens		A17	DTV Camera Bag
Camera, Mini-Cam w/12mm Lens		A17	DTV Camera Bag
Camera, Ultraport	2	MA16G	

07/13/07

FS 2-8

REF/118/FIN

<u>ITEM</u>	<u>QTY</u>	<u>LOCATION</u>	<u>NOTES</u>
<b>C (Cont)</b>			
Canister, ATCO		LiOH Vol	MD52M
Canister, LiOH	29	LiOH Vol	MD52M
Canister, WCS (Coffee Can)		MF28H	Post Insertion Tray #2
Cap, 3 in (A/L Floor)		MD Floor	D (STBD 2)
Cap, Toe	2	MD Floor	C (STBD 1)
Card, Dual-Port PCMCIA RS-422		MA9G	Stow-n-Go
	2	MA16F	
Card, PCMCIA	4	MD Ceiling	F (PORT 2), CTB-ISS Transfer (CheCS)
Card, PCMCIA 1 GB		Vol 3B	MA73J, DCS 760 Camera w/Card
Card, PCMCIA 1553	2	MA9J	
Card, RANGELAN2 7400	6	MA16G	
Cartridge, Manual Crack Gun	2	MA9L	RCC Cold Bag
Cartridge, Ink Printer	4	ML60J	
CBTM 1		MF43E	
CBTM 2		MF57E	
CBTM 3		MF43K	
CCC	4	Vol D	MD52C
	2	MD Floor	H (PORT 2)
CCM-A		MF71H	
CEVIS Cycle Ergometer		MD Ceiling	G (STBD 1)
CGBA (CSI-02)		MA9D	
Chair, NADA	6	MD Floor	C (STBD 1)
Chem Light, Green	27	MA9N	
Chem Light, Red	28	MA9N	
Clamp, Various sizes	14	MA12B	Window Shade Bag, IFM CHCK Bag
Cleaning Solution		A16	DCS 760 Camera Bag
Clothing, 1st Day	7	WMC	

07/13/07

FS 2-9

REF/118/FIN

<u>ITEM</u>	<u>QTY</u>	<u>LOCATION</u>	<u>NOTES</u>
<b>C (Cont)</b>			
Clothing, CDR		MF71G	
Clothing, MS1		MF71M	
Clothing, MS2		MF43M	
Clothing, MS3		MF71K	
Clothing, MS4		MF57M	
Clothing, MS5		MF28O	
		MD Ceiling	G (STBD 1)
Clothing, PLT		MF43G	
COAS		MF57C	
Concentrator		ML60M	Ultrasonic Leak Detector
Condensate Collection		MA16D	
Container, Sharps		MA16L	
Converter, IVA 1394		A17	DTV Camera Bag
Coupler, TWINAX	2	A17	Camcorder Bag
Cover, HUD	2	MF28H	Post Insertion Tray 2
Cover, Parachute	7	MF28H	Post Insertion Tray 2
Cover, VPMP		MA12B	Window Shade Bag, IFM CHCK Bag
Crew Care Package		MF57K	
Crew Support		MF71O	
CSA-CP		MA16D	
CTB-Hygiene		MD Floor	D (STBD 2)
CTB-ISS ACBSP		MD Floor	A (PORT 1)
CTB-ISS Air Sample		MD Floor	A (PORT 1)
CTB-ISS HRM/IMAK		MD Floor	A (PORT 1)
CTB-ISS PhOSRA		MD Floor	H (PORT 2)
CTB-ISS QDM		MD Floor	A (PORT 1)
CTB-ISS Transfer (CEVIS/EWIS)		MD Ceiling	G (STBD 1)
CTB-ISS Transfer (CheCS)		MD Ceiling	F (PORT 2)
CTB-ISS Transfer (PBA/QDM)		MD Ceiling	G (STBD 1)
07/13/07		FS 2-10	REF/118/FIN 1

<u>ITEM</u>	<u>QTY</u>	<u>LOCATION</u>	<u>NOTES</u>
<b>C (Cont)</b>			
CUCD, Male	54	Vol G	MD80R
Cushion, Fastener Retainer		MF28E	
CWC (Condensate)		MA16D	Condensate Collection
CWC (Contingency Only)	2	Vol G	MD80R
CWC (ISS Water Transfer)	2	MD Floor	C (STBD 1)
Cylinder, PBA	2	MD Ceiling	G (STBD 1), CTB-ISS Transfer (PBA/QDM)

<b>D</b>			
Desk, PGSC	3	A16	
	2	MA9G	Stow-n-Go
Dosimeter, Audio		MF57C	
Dry Wipe, Multi-Purpose	29 pkg	WMC	
	48 pkg	MD Floor	D (STBD 2), CTB-Hygiene
Duct, Booster Fan Bypass for SpaceHab		MD Floor	D (STBD 2)
Duxseal		MF28E	

<b>E</b>			
EMCS EC	8	MF43H	
Emittance Wash Applicator	2	MD Ceiling	E (PORT 1)
EMU – EV1		External A/L	STBD, See EVA C/L
EMU – EV2		External A/L	PORT, See EVA C/L
Escape Pole (Spare)		MF28H	PIP Pin Kit, Post Insertion Tray 2
Ethernet, T-Connector	4	ML60E	
		ML60J	
Ethernet Terminator		ML60E	
Expansion Chassis		ML60E	

07/13/07

FS 2-11

REF/118/FIN

<u>ITEM</u>	<u>QTY</u>	<u>LOCATION</u>	<u>NOTES</u>
<b>F</b>			
FDF		C4A C4F R3A R3F MF57G MF57H ML60B MA9N MA9N MF43H MF28E MF71C MF57C Vol G Vol 3B	
Feeler Gauge	4		
Fiberscope, Video			
Fiberscope Light Source			
Filter, CDM			
Filter, Contingency WWD			
Filter, Microbe (Spare)			
Filter, Ni-CR			Iodine Removal (GIRA)
Filter, OBF (Spare)			COAS
Flash			MD80R
Flash, DCS 760	2		MA73J
Flash Cord			DCS 760 Camera Bag
Flash Drive, 16 GB	33		DCS 760 Camera Bag
Floppy Drive, External			
Food, Fresh			
Food, Menu			
Food, Pantry			
FRED		MA9J ML60E MF14E MF14G MF14H MF14K MF14M MF14O MF28K MF57A MD Floor	Vol A D (STBD 2)

07/13/07

FS 2-12

REF/118/FIN

<u>ITEM</u>	<u>QTY</u>	<u>LOCATION</u>	<u>NOTES</u>
<b>G</b>			
Galley Needle (Spare)		MA12B	Window Shade Bag, IFM CHCK Bag, Water Equipment Assy
Garments, Entry	11	MA16J	
Gloves	2 pkg	WMC	
	1 pkg	Vol G	MD80R
	1 pkg	MD Floor	D (STBD 2), CTB-Hygiene
Gloves, Clean Room		MA12B	Window Shade Bag, IFM CHCK Bag
Gloves, EMU	2 pr	Vol D	MD52C
Gloves, Shoulder Length	1 pkg	MD Floor	D (STBD 2), CTB-Hygiene
<b>H</b>			
Hard Drive, 60 GB A31p		MA9J	
Harness, Camera (Prime)		ML60B	
Harness, Camera (Backup)		ML60M	
Harness, PBA	2	MD Ceiling	G (STBD 1), CTB-ISS Transfer (PBA/QDM)
Hatch Tool, APAS		MA16D	Ingress Kit
Headphones		A17	Camcorder Bag
Headset		ML60M	Ultrasonic Leak Detector
HOPA		MD Ceiling	B (STBD 2)
Hose, 1/4 in (6 ft)		MA12B	Window Shade Bag, IFM CHCK Bag
Hose, 3/8 in (6 ft)		MA12B	Window Shade Bag, IFM CHCK Bag
Hose, ACTEX		MF71C	Iodine Removal (GIRA)
Hose, Cont Blue/Blue		MA12B	Window Shade Bag, IFM CHCK Bag
Hose, Cont Red/Red		MA12B	Window Shade Bag, IFM CHCK Bag
Hose, Cont Yellow/Yellow		MA12B	Window Shade Bag, IFM CHCK Bag
Hose, CWC Contingency		MA12B	Window Shade Bag, IFM CHCK Bag

07/13/07

FS 2-13

REF/118/FIN

<u>ITEM</u>	<u>QTY</u>	<u>LOCATION</u>	<u>NOTES</u>
<b>H (Cont)</b>			
Hose, Filter Assy		MF71C	Iodine Removal (GIRA)
Hose, O2 Contingency		MA12B	Window Shade Bag, IFM CHCK Bag
Hose, Personal Hygiene		MF28H	Post Insertion Tray 2
Hose, WCS Canister		MF28H	Post Insertion Tray 2
Hose, Y-Y		MA16D	Condensate Collection
<b>I</b>			
ICE PAC	9	MA9L	RCC Cold Bag
IDB, Modified Disposable			
IFM Tools		MF28G	See IFM C/L
Insulation Jacket, Phosphate Removal	2	MD Floor	H (PORT 2), CTB-ISS PhOSRA
Insulation Sleeve, QD HHR	6	MD Floor	H (PORT 2), CTB-ISS PhOSRA
Iodine Removal (GIRA)		MF71C	
<b>J</b>			
Jumper, Low Temp TCS		MD Floor	H (PORT 2), CTB-ISS PhOSRA
<b>K</b>			
Kit, Ammonia Detection		MA16N	
Kit, CEVIS Resupply		MD Ceiling	G (STBD 1), CTB-ISS Transfer (CEVIS/EWIS)
Kit, CO2 Monitor (CDMK) Resupply		MD Ceiling	F (PORT 2), CTB-ISS Transfer (CheCS)
Kit, Contaminant Cleanup (CCK)		MA9N	
Kit, CSA-CP (ISS) Resupply		MD Ceiling	F (PORT 2), CTB-ISS Transfer (CheCS)
07/13/07		FS 2-14	REF/118/FIN 1



<u>ITEM</u>	<u>QTY</u>	<u>LOCATION</u>	<u>NOTES</u>
<b>K (Cont)</b>			
Kit, Dosimeter		MA16L	
Kit, DTV Fuse		A17	DTV Camera Bag
Kit, Electrode		MA16L	
Kit, EVA Crew Options (ECOK)		MD Floor	C (STBD 1)
Kit, Foam Applicator	20	MF28E	
Kit, Formaldehyde Monitoring (FMK)		MA16D	
Kit, Formaldehyde Monitoring (FMK)		MD Floor	A (PORT 1)
Kit, Gel Brush	2	MD Ceiling	E (PORT 1)
Kit, Ingress		MA16D	
Kit, Medical Accessory (MAK)		MA9N	
		MA16L	
Kit, ISS Medical Accessory (IMAK)	2	MD Floor	A (PORT 1), CTB-ISS HRM/IMAK
Kit, Mineral Syringe (Water Transfer)		MD Floor	C (STBD 1)
Kit, Operational Bioinstrumentation System		MA16L	
Kit, Parachute Repack	2	MA12B	Window Shade Bag, IFM CHCK Bag, Water Equipment Assy
			Post Insertion Tray 2
Kit, PIP Pin		MF28H	
Kit, Personal Hygiene (PHK)	7	MA9N	
Kit, Re-Entry	2	MA9N	
Kit, RMS D&C IFM		MF28E	
Kit, Saliva Collection	5	MA16N	
Kit, Shuttle Emergency Eyewash		MF28H	Post Insertion Tray 2
Kit, SOMS Resuscitator		MA16J	
Kit, SSV Fuse		MF43C	
Kit, Swab		MD Floor	A (PORT 1), CTB-ISS HRM/IMAK
Kit, VOA		MD Floor	A (PORT 1)

07/13/07

FS 2-15

REF/118/FIN

<u>ITEM</u>	<u>QTY</u>	<u>LOCATION</u>	<u>NOTES</u>
<b>L</b>			
Leak Detector, Ultrasonic		ML60M	
Lens, 16mm		A16	DCS 760 Camera Bag
Lens, 17-35mm		A16	DCS 760 Camera Bag
Lens, 28mm		A16	DCS 760 Camera Bag
Lens, 28-70mm		Vol 3B	MA73J
Lens, 50mm (EVA)		A16	DCS 760 Camera Bag
Lens, 80-200mm		A16	DCS 760 Camera Bag
Lens, 400mm		Vol 3B	MA73J
Lens, Mini-Cam 23mm		A17	DTV Camera Bag
Lens, PD100 Wide Conversion		A17	Camcorder Bag
		MA9G	Stow-n-Go
LIDAR		MF43C	
LIDAR w/Nightscope		MF43C	
Light Shade	2	MF57C	
Liner, Sleeping Bag	7	MD Floor	C (STBD 1)
Log Book	5	MA16N	
Loop Extractor		MD Ceiling	F (PORT 2)
Lubricant		MF28E	
<b>M</b>			
MERLIN		MF71E	
Mic, Handheld	3	MF28K	Comm Kit, Post Insertion Tray 1
Microbial Check Valve (MCV)		MF71C	Iodine Removal (GIRA)
Microphone w/Batt		A17	Camcorder Bag
Mini Work Station (MWS)	2	A/L Floor Bag	
Mirror	2	MF28H	Post Insertion Tray 2
Monitor, Carbon Dioxide (CDM)		MF43H	

07/13/07

FS 2-16

REF/118/FIN 1

<u>ITEM</u>	<u>QTY</u>	<u>LOCATION</u>	<u>NOTES</u>
<b>M (Cont)</b>			
Monitor, Heart Rate (HRM)	2	MD Floor	A (PORT 1), CTB-ISS HRM/IMAK
Monitor, LCD w/Batts		Vol 3B	MA73J
Mount, SAFER Hand Controller		A/L Floor Bag	
Muffler, CBTM	3	MA16N	
Multical Pressure Probe		MD Floor	A (PORT 1), CTB-ISS HRM/IMAK
Multiplexer, DNLK Data		MD Ceiling	E (PORT 1)
<b>N</b>			
Nozzle		ML60J	
Nozzle, Free Fluid		MA12B	Window Shade Bag, IFM CHCK Bag, Water Equipment Assy
<b>O</b>			
O2 Bleed Orifice		MF28H	PIP Pin Kit, Post Insertion Tray 2
OCAC		Vol 3B	MA73J
OFK/PPK		Vol E	MD76C
OIU		L11	
O-Ring	4	MA16D	Ingress Kit
<b>P</b>			
Pack, Ambulatory Medical (AMP)	6	MD Floor	A (PORT 1)
Panel Covers, A8 Fasteners		MA12B	Window Shade Bag
Panel Covers, A8 Lower		MA12B	Window Shade Bag
Panel Covers, A8 Upper		MA12B	Window Shade Bag
07/13/07		FS 2-17	REF/118/FIN

<u>ITEM</u>	<u>QTY</u>	<u>LOCATION</u>	<u>NOTES</u>
<b>P (Cont)</b>			
Panel Covers, R2 Elastic Tie Downs		MA12B	Window Shade Bag
Panel Covers, R2 Snap Ties	2	MA12B	Window Shade Bag
Panel Covers, R2 Standoffs	5	MA12B	Window Shade Bag
Panel Covers, R2 Stiffeners	2	MA12B	Window Shade Bag
Pants, Cargo	2	MD Ceiling	G (STBD 1), CTB-ISS Transfer (CEVIS/EWIS)
Paper	2	MA16J	
	2	ML60J	
Paper Tray, Color Printer	2	MF71C	
PDIP 1		L12	
PDIP 2		L11	
PGSC, A31p		MA9J	
PGSC, STS-1 – OCA Router		ML60E	
PGSC, STS-2 – WINDECOM		ML60E	
PGSC, STS-3 – KFX		ML60E	
PGSC, STS-4 – World Map		MA16G	
PGSC, STS-5 – RPOP		MA16F	
PGSC, STS-6 – RSAD		MA16G	
PGSC, STS-7 – WLES	2	MA16F	
PGSC, STS-8 – PILOT		ML60E	
PHK, Community		MF43H	
Phosphate Removal Assy		MD Floor	H (PORT 2)
Photo Floodlight		MF57C	
PILOT Hand Controller		A16	
Pins		MD Ceiling	F (PORT 2)
PIP Pin	12	MF28H	PIP Pin Kit, Post Insertion Tray 2
Post Insertion Tray 1		MF28K	
Post Insertion Tray 2		MF28H	

07/13/07

FS 2-18

REF/118/FIN

<u>ITEM</u>	<u>QTY</u>	<u>LOCATION</u>	<u>NOTES</u>
<b>P (Cont)</b>			
Prefilter, Conical	20	WMC	
Printer, Color	20	MD Floor	D (STBD 2), CTB-Hygiene
Probe, Extension	3	ML60J	
Processor, Vertical Interval (VIP)	3	ML60M	Ultrasonic Leak Detector
Protective Cover, LWR Arm Disconnect	4	MD Ceiling	E (PORT 1)
Protective Cover Wireway	3	Vol D	MD52C
PROXIM/Access Point	3	MA12B	Window Shade Bag, IFM CHCK Bag
Pry Bar		MA16G	
Pull-Ups	24	A17	
Purge Device		Vol G	MD80R
		MA12B	Window Shade Bag, IFM CHCK Bag, Water Equipment Assy
Pwr Supply, PGSC		MA9J	
	2	MA16F	
	4	MA16G	
	2	ML60E	
<b>Q</b>			
QDM (ISS)	4	MD Ceiling	G (STBD 1), CTB-ISS Transfer (PBA/QDM)
	3	MD Floor	A (PORT 1), CTB-ISS QDM
Quick Don Mask	4	A17	
	3	Vol 3B	MA73J

07/13/07

FS 2-19

REF/118/FIN

<u>ITEM</u>	<u>QTY</u>	<u>LOCATION</u>	<u>NOTES</u>
<b>R</b>			
RAM	18	MD Ceiling	F (PORT 2), CTB-ISS Transfer (CheCS)
Reader, LOCAD-PTS		MD Floor	A (PORT 1)
Receiver		ML60M	Ultrasonic Leak Detector
Receiver, WLE	2	MA16F	
Relay	3	MA16F	
Remote, PD100	2	MA9G	Stow-n-Go
Restraint	4	MA16L	
Restraint, Foot Loop (Spare)	6	MA9N	
Restraint, Seat (Spare)	2	MA9N	
<b>S</b>			
Sack, Multipurpose CIPAA	2	ML60J	
Scraper Tool		WMC	
Screw/Washer Assy (Centerline Camera)		ML60B	
Separator, Water/Gas	2	MA12B	Window Shade Bag, IFM CHCK Bag, Water Equipment Assy
Shade, CCTV Monitor	2	MA12B	Window Shade Bag
Sleeve, Middeck Floor Fitting (Spare)	2	MF28H	Post Insertion Tray 2
Socket Extension, Rigid 5/8-in x 7.8-in		A/L Floor Bag	
SODF		MF57G	
Spotlight		MF57K	
SPAS/OPP		Vol 3B	MA73J
SPU	5	R12	
SSP 1/SSP 2		MD Ceiling	B (STBD 2)
SSV Compression Encoder		L12	
Stow-n-Go		MF43C	
		MA9G	
07/13/07		FS 2-20	REF/118/FIN 1

<u>ITEM</u>	<u>QTY</u>	<u>LOCATION</u>	<u>NOTES</u>
<b>S (Cont)</b>			
Strap, Chest	4	MD Floor	A (PORT 1), CTB-ISS HRM/IMAK
Strap, Velcro	50	MF28H	Post Insertion Tray 2
	50	MA9J	
Strap, Velcro (Booster Fan Bypass)	12	MD Floor	D (STBD 2)
Subpack, Airway		MA16L	
Subpack, Drug		MA16L	
Subpack, EENT		MA16L	
Subpack, IV Administration		MA16L	
Subpack, Saline Supply		MA16L	
Subpack, Trauma		MA16L	
SUPA, OHS	14	MA16D	
		WMC	
Switch Guard, Computer		MF28H	Post Insertion Tray 2
<b>T</b>			
Tape, Digital	18	A16	
Tape, Digital Video	117	L10 Upper	
	59	A17	Camcorder Bag
	26	MA9G	Stow-n-Go
Tape, Gray, 1 in		MF28H	Post Insertion Tray 2
Tape, Gray, 2 in	2	MF28H	Post Insertion Tray 2
Tape, Gray on Stick, 1 in		MF28H	Post Insertion Tray 2
Tape, Sony Video	14	L10 Upper	
Terminator, EVA		MD Ceiling	G (STBD 1), CTB-ISS Transfer (CEVIS/EWIS)
Tether, Adjustable Equipment	2	A/L Floor Bag	
Tether, Adjustable Equipment	6	MD Floor	H (PORT 2)
Tether, Body Restraint	2	A/L Floor Bag	
07/13/07		FS 2-21	REF/118/FIN 1

<u>ITEM</u>	<u>QTY</u>	<u>LOCATION</u>	<u>NOTES</u>
<b>T (Cont)</b>			
Tether, Safety, 85 ft	2	A/L Floor Bag	
Tether, Tie Down	4	MD Floor	H (PORT 2)
Tether, Waist	4	A/L Floor Bag	
Thermal Sensor, EVA		MD Ceiling	E (PORT 1)
Tie Wrap, Booster Fan Bypass	4	MD Floor	D (STBD 2)
Tie Wrap (PILOT)	10	A16	
Tool, Cabin Fan Filter		MA9F	Vacuum Cleaner
Tool, Crevice		MA9F	Vacuum Cleaner
Tool, DDU Filter		MA9F	Vacuum Cleaner
Tool, EVA Punch		MD Ceiling	F (PORT 2)
Tool, Flex Hose/Suction Hose		MA9F	Vacuum Cleaner
Tool, Flex Modular		MA9F	Vacuum Cleaner
Tool Pouch, DTV MUX		MD Ceiling	E (PORT 1)
Towel		MA16D	Condensate Collection
Towel	36	WMC	
	41	MD Floor	D (STBD 2)
TRAD		ML60J	
Transformer, Bal/Unbal		A17	DTV Camera Bag
		MF43C	
Transmitter		ML60M	Ultrasonic Leak Detector
Trash Bag, Aux Wet		WMC	
Trash Bag, Coffee Can	10 pkg	WMC	
	5 pkg	MD Floor	D (STBD 2), CTB-Hygiene
	6	MD Floor	D (STBD 2), CTB-Hygiene
Trash Bag, Wet		Vol F	MD76M
Trash Bag, WMC (Spare)		MA9N	
Turnbuckle	3	MF28E	
TVCU		ML60B	

07/13/07

FS 2-22

REF/118/FIN 1



<u>ITEM</u>	<u>QTY</u>	<u>LOCATION</u>	<u>NOTES</u>
<b>U</b>			
Urinal Funnel, Female (Oblong)	2	WMC	
Urinal Funnel, Female (Round)		WMC	
Urinal Funnel, Male	5	WMC	
Utensils		MF57A	Vol A, Pantry Food
<b>V</b>			
Vacuum Cleaner		MA9F	
Valve Sample Distribution	2	MD Ceiling	F (PORT 2)
Velocicalc Meter		MD Floor	A (PORT 1), CTB-ISS HRM/IMAK
Viewfinder (EVA)		A16	DCS 760 Camera Bag
VLHS	2	MF28H	Post Insertion Tray 2
VPU		R12	
VPU Plug, Green		L10 Upper	
VTR, Digital w/Tape	4	L10 Lower	
		MA9G	Stow-n-Go
		MD Ceiling	E (PORT 1)
<b>W</b>			
Washcloth	32	WMC	
	122	MD Floor	D (STBD 2)
Water Dispenser, Contingency		MA12B	Window Shade Bag, IFM CHCK Bag, Water Equipment Assy
Water Equipment Assy		MA12B	Window Shade Bag, IFM CHCK Bag
WCS Tool		WMC	
07/13/07		FS 2-23	REF/118/FIN 1

<u>ITEM</u>	<u>QTY</u>	<u>LOCATION</u>	<u>NOTES</u>
<b>W (Cont)</b>			
Wet Wash	6 pkg	WMC	
Window Shades, Ovhd	16 pkg	MD Floor	D (STBD 2), CTB-Hygiene
Wipe, Disinfectant	2	MA12B	Window Shade Bag
	3 pkg	WMC	
		ML60B	
Wire Tie	55	A/L Floor Bag	
	25	MD Ceiling	G (STBD 1), CTB-ISS Transfer (CEVIS/EWIS)
Wire Tie, IVA	45	MD Ceiling	F (PORT 2)
Wrench, Allen, ¼ in		MD Floor	H (PORT 2)
Wrench, Allen, ½ in		MD Floor	H (PORT 2)
Wrench, RCC Leading Edge		MD Ceiling	E (PORT 1)
Wrench, Torque		A/L Floor Bag	
<b>Z</b>			
Ziplock Bag, 8 in	20	MF28H	Post Insertion Tray 2
Ziplock Bag, 12 in	8	MF28H	Post Insertion Tray 2
Ziplock Bag, 13x18	8	Vol G	MD80R

07/13/07

FS 2-24

REF/118/FIN 1

FDF DOCUMENTATION STOWAGE

LAUNCH CONFIG – LOCKER..... FS 3-2  
– ALPHABETICAL..... FS 3-3

FDF

FS 3-1

REF/118/FIN

FDF

**LAUNCH CONFIG – LOCKER  
(EXCLUDES “CARRY-ON” ITEMS)**

**R3A**

Data Card Kit  
ASC Data Cards  
DEORB and ENT Data  
Cards  
ORBIT Data Cards

**R3F**

ENT  
ENT PKT  
POST INSERTION  
SYS AOA

**C4A**

FDF Accessory Kit 1

**C4F**

ENT  
ENT PKT  
POST INSERTION  
SYS AOA

**MF57G**

CD-ROM Disk Set  
118 FDF Books CD  
A31p PGSC Reload CD  
Crew Systems Ref CD  
COSS CD (SPNs, EVA  
Tasks, ISS Ext Images)  
Landing Site/MAPS CD  
Spacehab Video CD

Disk Sleeve Unit

Blank Formatted Disk (2)  
Disk Stowage Bag (2)  
OCA Data Disk (2)  
PCMCIA Hard Disk, Late  
Updates

EVA (2)  
EVA Cue Card Kit  
EVA Cuff Kit  
EVA Cuff C/L (2)  
FDF Accessory Kit 2  
Hard Disk Spare, OCA Router  
Load  
Hard Disk Spare, STS Load  
IFM  
Landing Site Video – KSC,  
8mm

**MF57G**

(Cont)  
Landing Site Video – Other,  
8mm  
MAL (Vols I and II)  
MAPS  
MED  
Message Folder (3)

**MF57H**

CONT DEORB  
DEORBIT PREP (4)  
Flight Deck Stowage Bag 1  
Book Clip, Gold (6)  
CONT DEORB (2)  
ORB OPS (2)  
PHOTO/TV  
Flight Deck Stowage Bag 2  
Book Clip, Gold (6)  
FLIGHT PLAN (Partial)  
ORB PKT (2)  
PDRS OPS  
PDRS OBSS Cue Card Kit  
REF DATA

**MF57H**

(Cont)  
FLIGHT PLAN  
Middeck Cue Card Kit  
Middeck Overlay Kit  
ORB OPS  
Overlay Kit  
PDRS OPS  
PDRS Cue Card Kit  
PL OPS (2)  
PL OPS Cue Card Kit  
P/TV Cue Card Kit  
PHOTO/TV  
RNDZ (6)  
RNDZ Cue Card Kit  
RNDZ Overlay Kit  
SH MAL (2)  
SH OPS C/L (2)  
SH OPS Cue Card Kit  
Star Chart

07/13/07

FS 3-2

REF/118/FIN

## LAUNCH CONFIG – ALPHABETICAL

<u>ITEM</u>	<u>AMT</u>	<u>LOCATION</u>
118 FDF Books CD		MF57G (CD-ROM Disk Set)
ASC	4	CARRY-ON
Ascent Cards		CARRY-ON
ASC Data Cards		R3A (Data Card Kit)
Ascent Flip Book & Support	2	CARRY-ON
ASC PKT	4	CARRY-ON
Blank Formatted Disk	2	MF57G (Disk Sleeve Unit)
Book Clip, Gold	20	C4A (FDF Accessory Kit 1) (4), MF57G (FDF Accessory Kit 2) (4), MF57H (FD Stowage Bag 1) (6), MF57H (FD Stowage Bag 2) (6), MF57G
CD-ROM Disk Set		MF57G
CDR Window Flip Book & Support		CARRY-ON
CONT ABORT/RTLS CONT Cue Card	2	CARRY-ON
CONT DEORB	2	MF57H (1), MF57H (FD Stowage Bag 2) (1)
COSS (CD, SPN, EVA Tasks, ISS Ext Images)		MF57G (CD-ROM Disk Set)
Crew Notebooks	9	CARRY-ON
Crew Systems Reference CD		MF57G (CD-ROM Disk Set)
Data Card Kit		R3A
DEORB and ENT Data Cards		R3A (Data Card Kit)
DEORBIT PREP	4	MF57H
Disk Sleeve Unit		MF57G
Disk Stowage Bag	2	MF57G (Disk Sleeve Unit)
EMERGENCY EGRESS Cue Card (Oversized)		CARRY-ON
EMERGENCY EGRESS ACES TROUBLESHOOTING Cue Card	5	CARRY-ON
ENT	4	CARRY-ON (2), R3F (1), C4F (1)
07/13/07	FS 3-3	REF/118/FIN

**LAUNCH CONFIG – ALPHABETICAL (Cont)**

<u>ITEM</u>	<u>AMT</u>	<u>LOCATION</u>
ENTRY NO-GO C/L Cue Card		CARRY-ON
ENT PKT	4	CARRY-ON (2), R3F (1), C4F (1)
ET PHOTO Cue Card	2	CARRY-ON
EVA	2	MF57G
EVA Cue Card Kit		MF57G
EVA CUFF	2	MF57G (EVA Cuff Kit)
EVA Cuff Kit		MF57G
FD3 DOCKING ORBITER W/ISS CO2 ABSORBER/ REPLACEMENT LIOH CANISTER STOWAGE LOCATIONS Cue Card		CARRY-ON
<u>FDF Accessory Kit 1</u>		C4A
Book Clip, Gold	4	
Drafting Dots	20	
Eraser	1	
Pen, Sharpie Fine Point (Black)	1	
Pencil, Mechanical	4	
Rubber Band Kit	1	
Switch Caps	20	
Tether-Short (12 inch)	8	
Velcro, Yellow (Hook, Pile) (2 x 2)	5 ea	
Yellow Dots	1	
<u>FDF Accessory Kit 2</u>		MF57G
Binder Clip, Black	6	
Binder Rings (Metal)	3	
Binder Rings (Nylon)	6	
Book Clip, Gold	4	
Cable Ties w/Tags	6	
07/13/07	FS 3-4	REF/118/FIN

**LAUNCH CONFIG – ALPHABETICAL (Cont)**

<u>ITEM</u>	<u>AMT</u>	<u>LOCATION</u>
<u>FDF Accessory Kit 2 (Concluded)</u>		MF57G
Clamp, Book	2	
Drafting Dots	20	
Eraser	1	
Highlighter, Narrow Tip (Blue, Green, Yellow)	2 ea	
Pen, Sharpie Fine Point (Black, Blue, Red)	1 ea	
Pencil, Grease (Black, Red)	1 ea	
Pencil, Mechanical	8	
Post-It Notes (1.5 x 2, 3 x 3, 3 x 5)	1 ea	
Post-It Tape Tabs (6 colors)	6	
Tape, Transparent	1	
Tape, Yellow	1	
Tape Dispenser with Tape	1	
Tether, Short (12 inch)	8	
Velcro, Yellow (Hook , Pile) (2 x 2)	15 ea	
Yellow Dots	1	
FLIGHT PLAN	2	MF57H (1), MF57H FD Stowage Bag 2 (1)
FMI TAL REDESIGNATION ECAL-ZZA OR MRN OR FMI PRIME TAL Cue Card	2	CARRY-ON
Hard Disk Spare, OCA Router Load		MF57G
Hard Disk Spare, STS Load		MF57G
IFM		MF57G
Landing Site Charts		CARRY-ON
Landing Site/MAPS CD		MF57G (CD-ROM Disk Set)
Landing Site Video, KSC, 8mm		MF57G
Landing Site Video, Other, 8mm		MF57G
LOC/BREAKUP Cue Card	2	CARRY-ON
 07/13/07	 FS 3-5	 REF/118/FIN

## LAUNCH CONFIG – ALPHABETICAL (Cont)

<u>ITEM</u>	<u>AMT</u>	<u>LOCATION</u>
MAL (Vols I and II)		MF57G
MAPS		MF57G
MED		MF57G
Message Folder	3	MF57G
Middeck Cue Card Kit		MF57H
MIDDECK RECONFIGURATION Cue Card		CARRY-ON
MRN TAL REDESIGNATION ECAL-ZZA OR MRN OR FMI PRIME TAL Cue Card	2	CARRY-ON
OCA Data Disk	2	MF57G (Disk Sleeve Unit)
ODS VOLUME FIRE/SMOKE Cue Card		MF57H (FD Stowage Bag 1)
OPS 1/6/TAL TRANSITION RESTRING/POST OPS 3 GRTLS TRANSITION RESTRING Cue Card		CARRY-ON
Orbit Data Cards		R3A (Data Card Kit)
ORBIT SPEC (R11)/PRIMARY C/W PARAMETER MATRIX Cue Card		CARRY-ON
ORB OPS	3	MF57H (1) , MF57H FD Stowage Bag 1 (2)
ORB PKT	2	MF57H FD Stowage Bag 2
Overlay Kit		MF57H
PANEL R14 – OV105 Only Cue Card		CARRY-ON
PCMCIA Hard Disk, Late Updates		MF57G (Disk Sleeve Unit)
PDRS Cue Card Kit		MF57H
PDRS OBSS Cue Card Kit		MF57H FD Stowage Bag 2
PDRS OPS	2	MF57H (1), MF57H FD Stowage Bag 2 (1)
PHOTO/TV	2	MF57H (1), MF57H FD Stowage Bag 1 (1)
PL OPS	2	MF57H
PL OPS Cue Card Kit		MF57H

07/13/07

FS 3-6

REF/118/FIN



**LAUNCH CONFIG – ALPHABETICAL (Cont)**

<u>ITEM</u>	<u>AMT</u>	<u>LOCATION</u>
PLT Ovhd Flip Book		CARRY-ON
PLT Window Flip Book		CARRY-ON
POST INSERTION	4	CARRY-ON (2), R3F (1), C4F (1)
REF DATA		MF57H (FD Stowage Bag 2)
RNDZ	6	MF57H
RNDZ Cue Card Kit		MF57H
RNDZ Overlay Kit		MF57H (RNDZ Cue Card Kit)
SH MAL	2	MF57H
SH OPS	2	MF57H
SH OPS Cue Card Kit		MF57H
Star Chart		MF57H
SH FIRE ALARMS Cue Card		CARRY-ON
SYS AOA	3	CARRY-ON (1), R3F (1), C4F (1)
URINE COLLECTION w/o UMS/CONT WASTE		CARRY-ON
COLLECTION – UCD APOLLO BAG (w/o UMS) Cue Card		
URINE PRETREAT CHANGEOUT/URINE PRETREAT SETUP Cue Card		CARRY-ON
Wedge	2	CARRY-ON
ZZA TAL REDESIGNATION ECAL-ZZA OR MRN OR FMI PRIME TAL Cue Card	2	CARRY-ON

07/13/07

FS 3-7

REF/118/FIN

This Page Intentionally Blank

FS 3-8

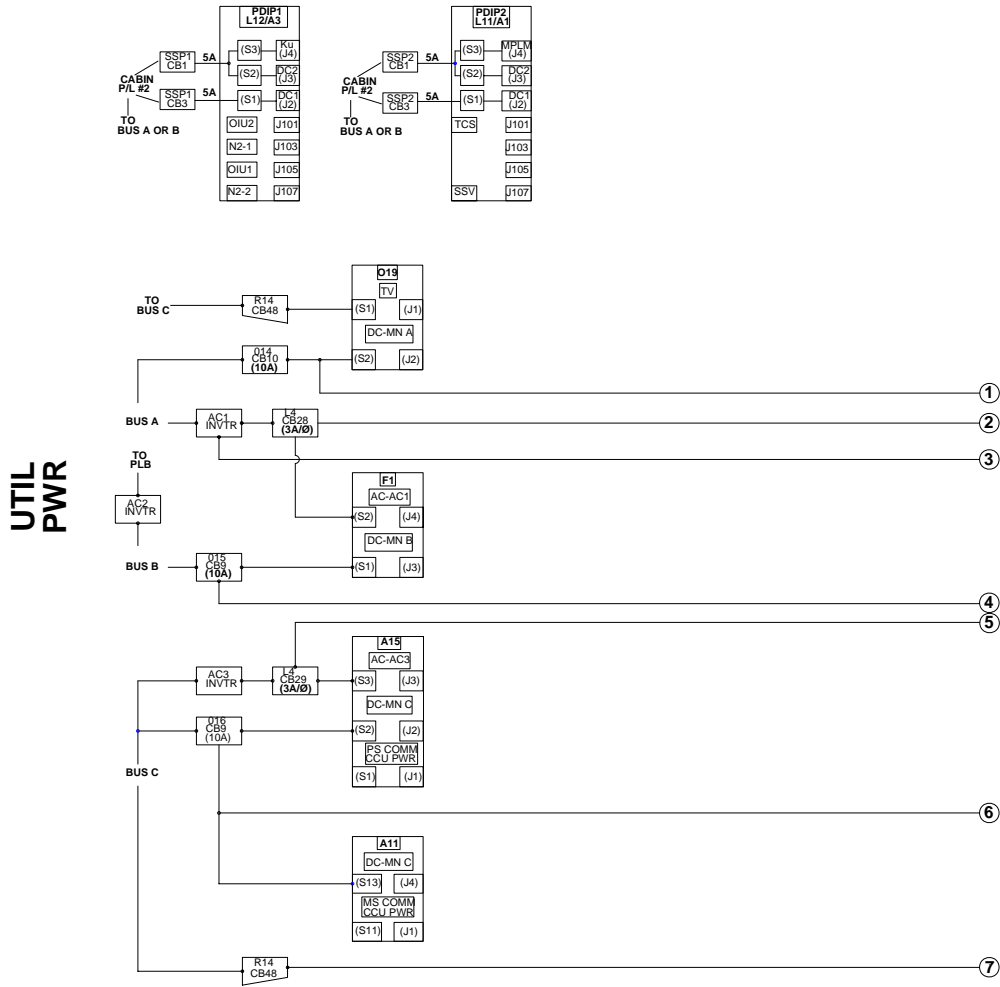
REF/118/FIN

UTILITY OUTLET PLUG-IN PLAN

PWR: PANEL REFERENCE	
FLT DECK.....	FS 4-2
MIDDECK.....	FS 4-3
PWR/DATA/VIDEO: PRE-ROUTED CONFIG	
FLT DECK.....	FS 4-4
MIDDECK.....	FS 4-5
PWR/DATA/VIDEO: ASCENT CONFIG	
FLT DECK.....	FS 4-6
MIDDECK.....	FS 4-7
PWR/DATA/VIDEO: ENTRY CONFIG	
FLT DECK.....	FS 4-8
MIDDECK.....	FS 4-9
PWR: ON-ORBIT CONFIG	
FLT DECK.....	FS 4-10
MIDDECK.....	FS 4-11
PWR: CREW RESCUE COOLING CONFIG	
FLT DECK.....	FS 4-12
MIDDECK.....	FS 4-13

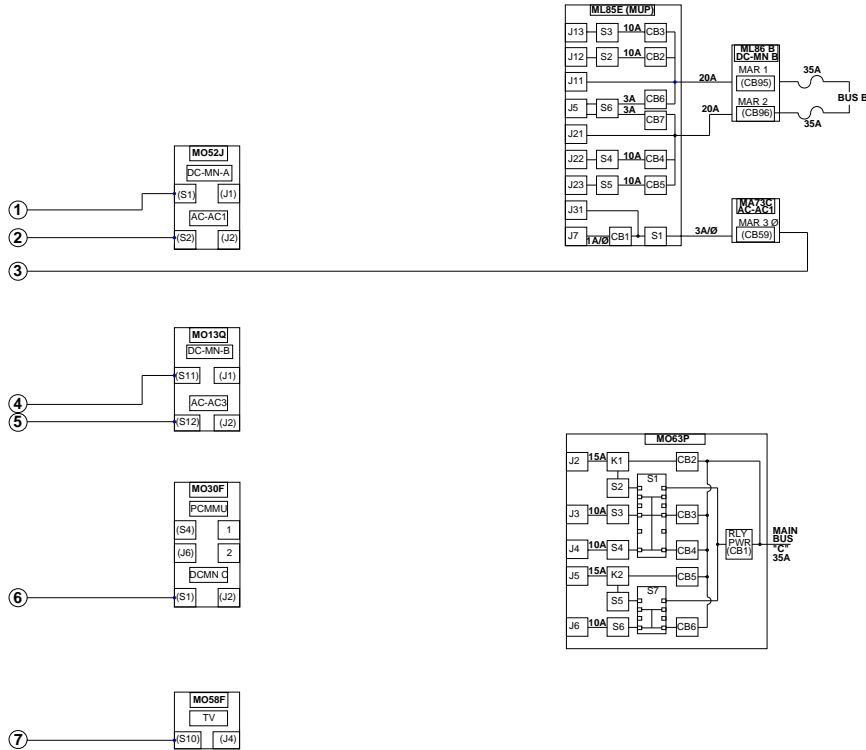
UTIL  
PWR

# PWR: PANEL REFERENCE – FLT DECK

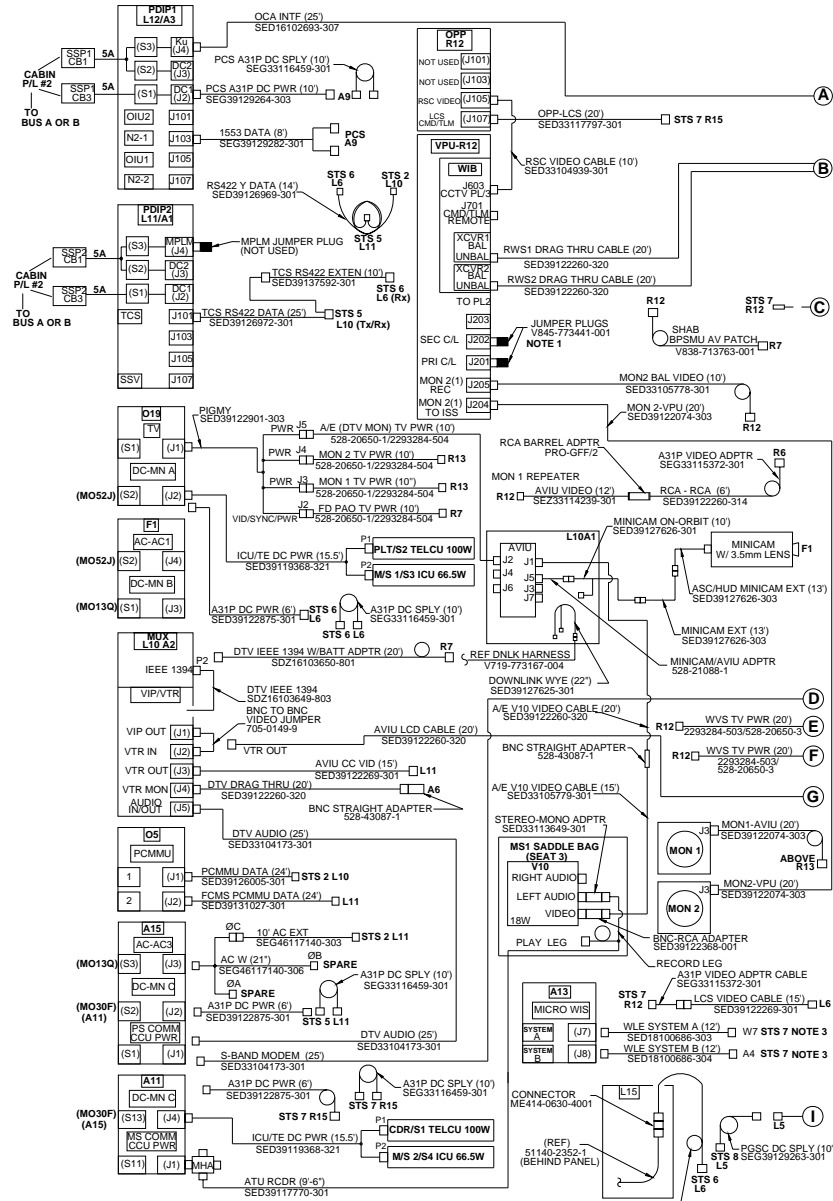


# PWR: PANEL REFERENCE – MIDDECK

REV A  
06/18/07

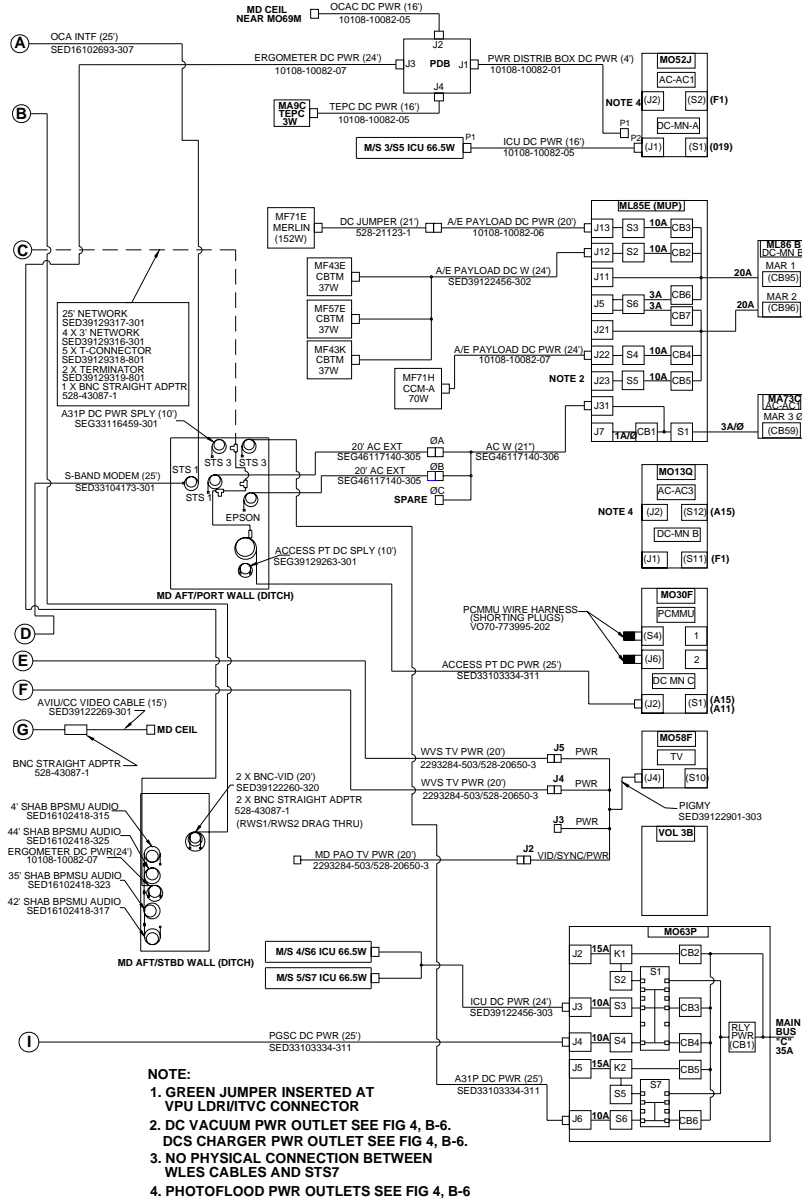


# PWR/DATA/VIDEO: PRE-ROUTED CONFIG – FLT DECK

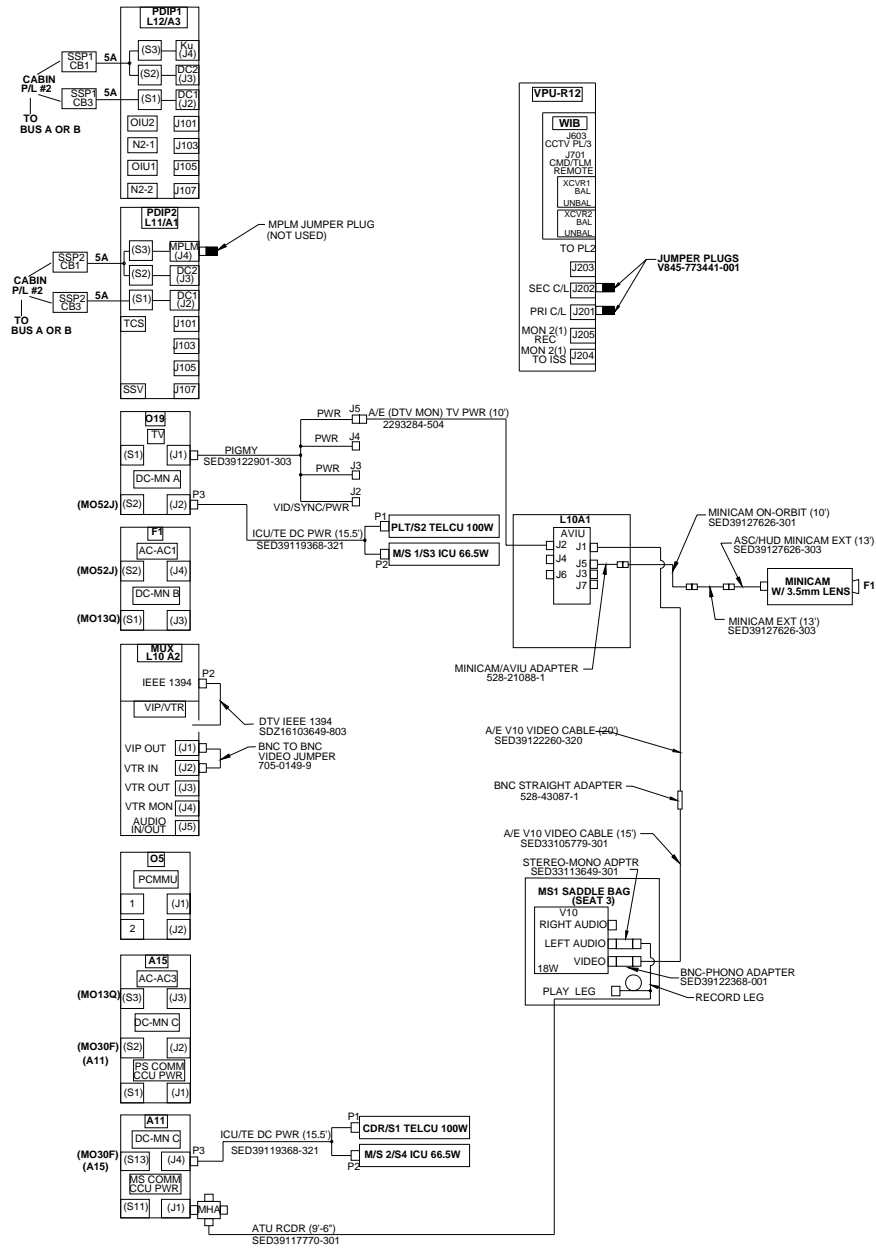


# PWR/DATA/VIDEO: PRE-ROUTED CONFIG – MIDDECK

REV A  
06/18/07



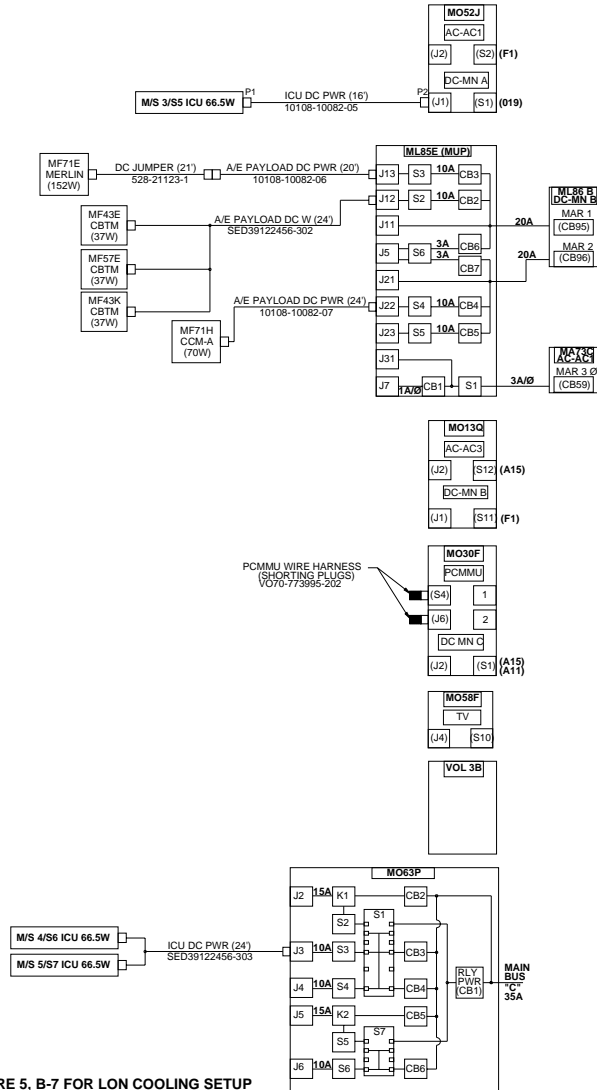
# PWR/DATA/VIDEO: ASCENT CONFIG – FLT DECK





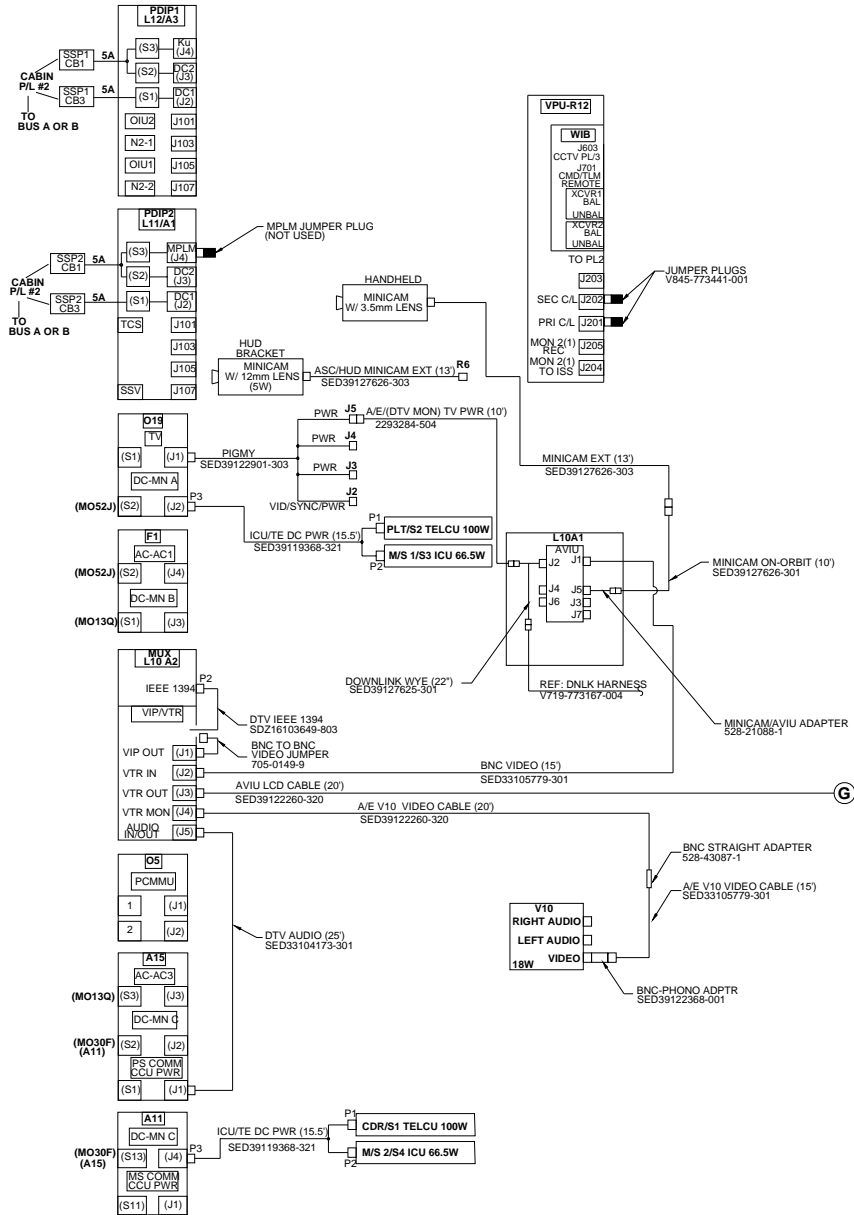
# PWR/DATA/VIDEO: ASCENT CONFIG – MIDDECK

REV A  
06/18/07



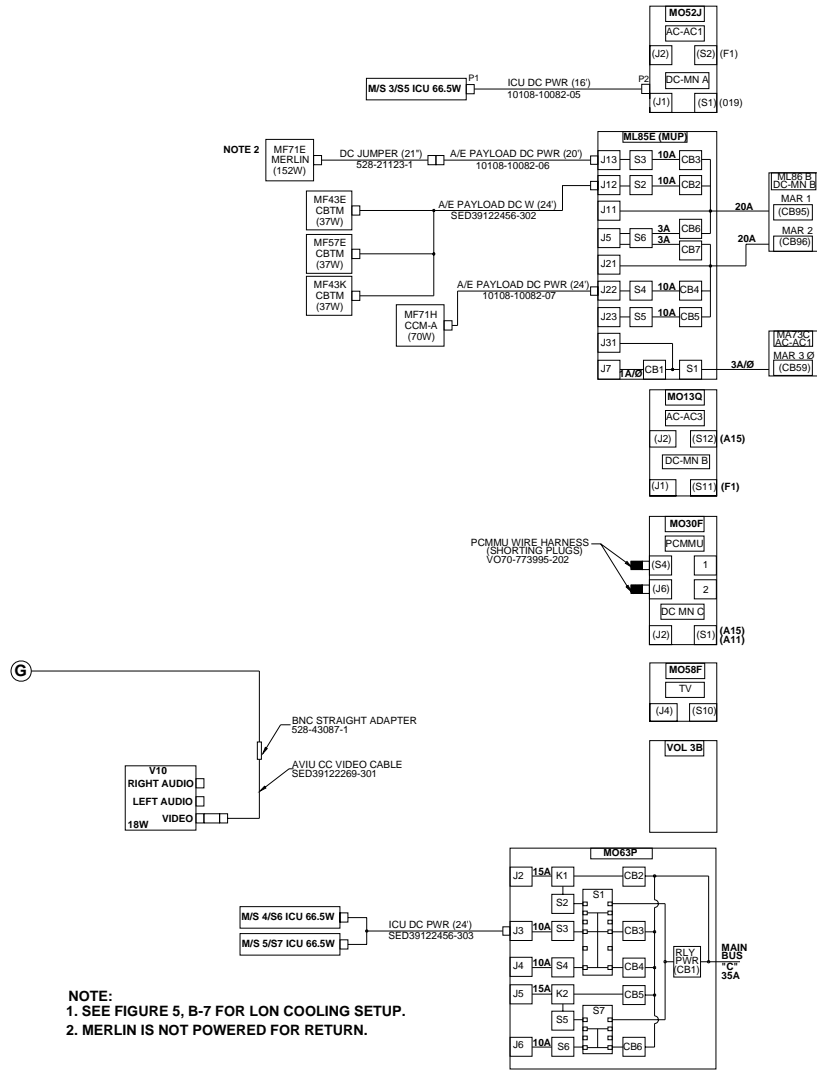
NOTE:  
1.) SEE FIGURE 5, B-7 FOR LON COOLING SETUP

# PWR/DATA/VIDEO: ENTRY CONFIG – FLT DECK

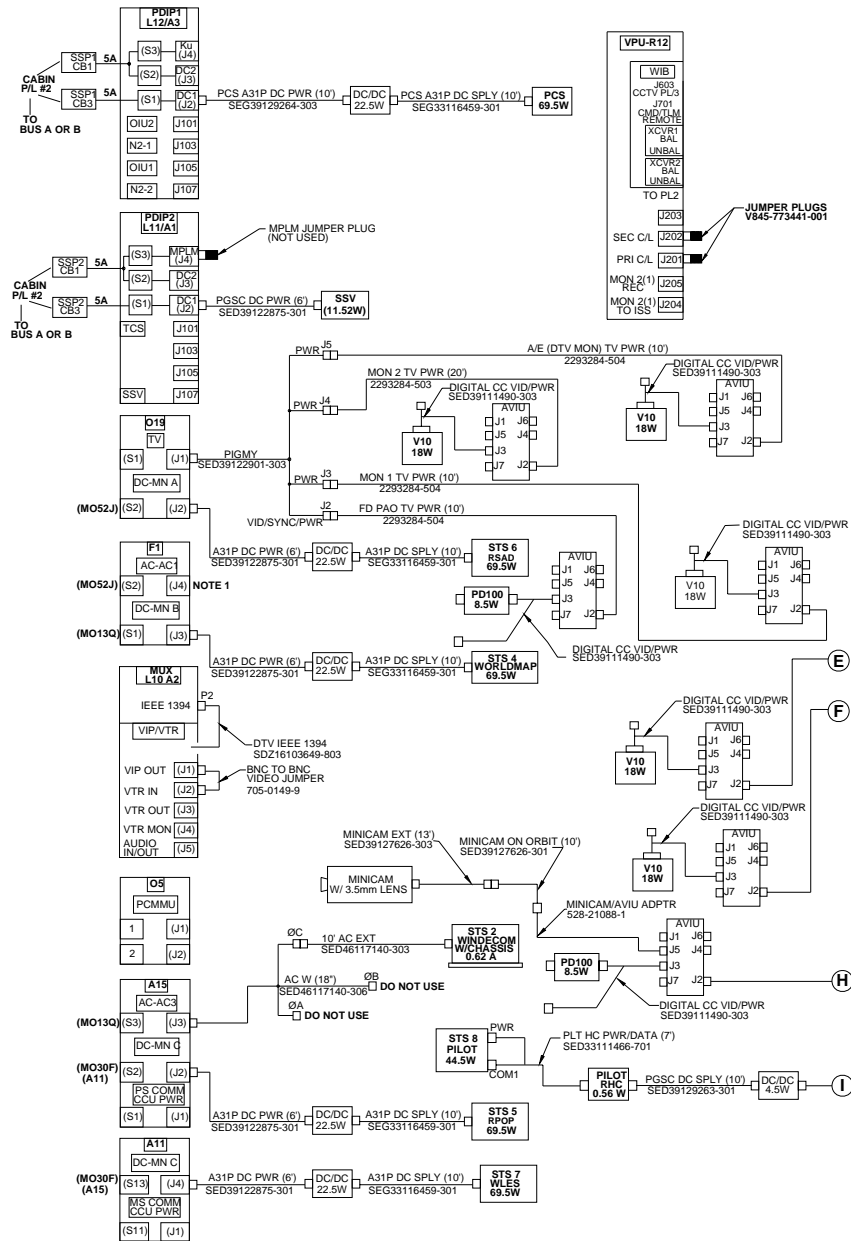


# PWR/DATA/VIDEO: ENTRY CONFIG – MIDDECK

REV A  
06/18/07

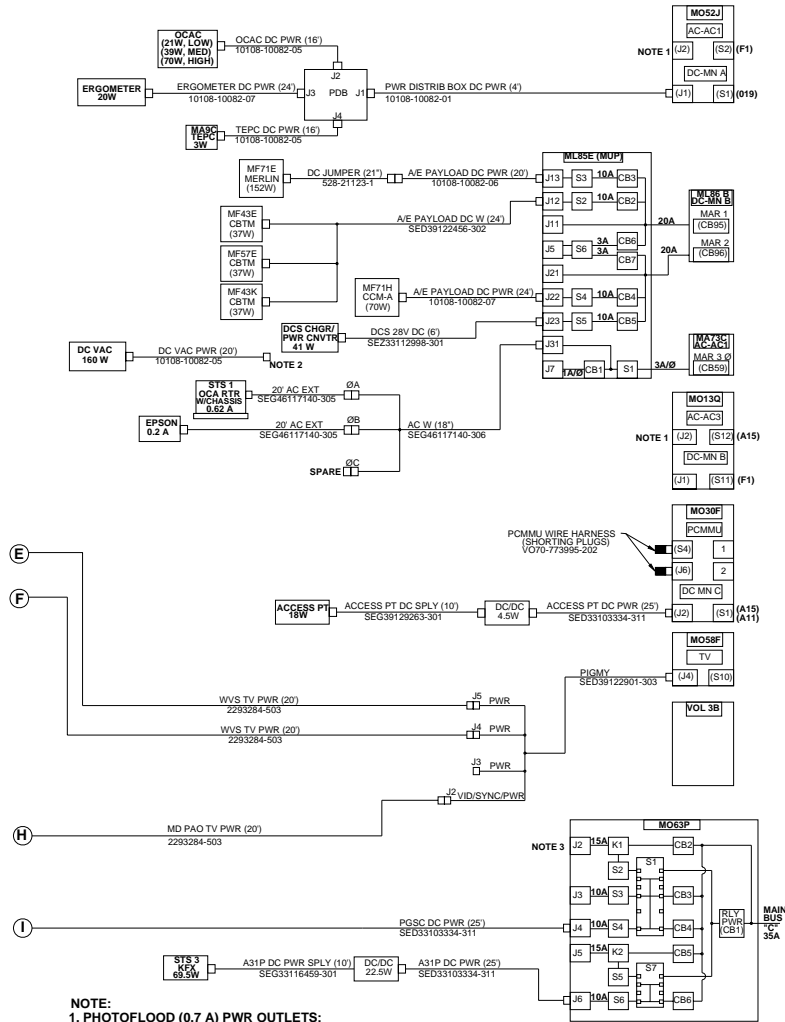


# PWR: ON-ORBIT CONFIG – FLT DECK

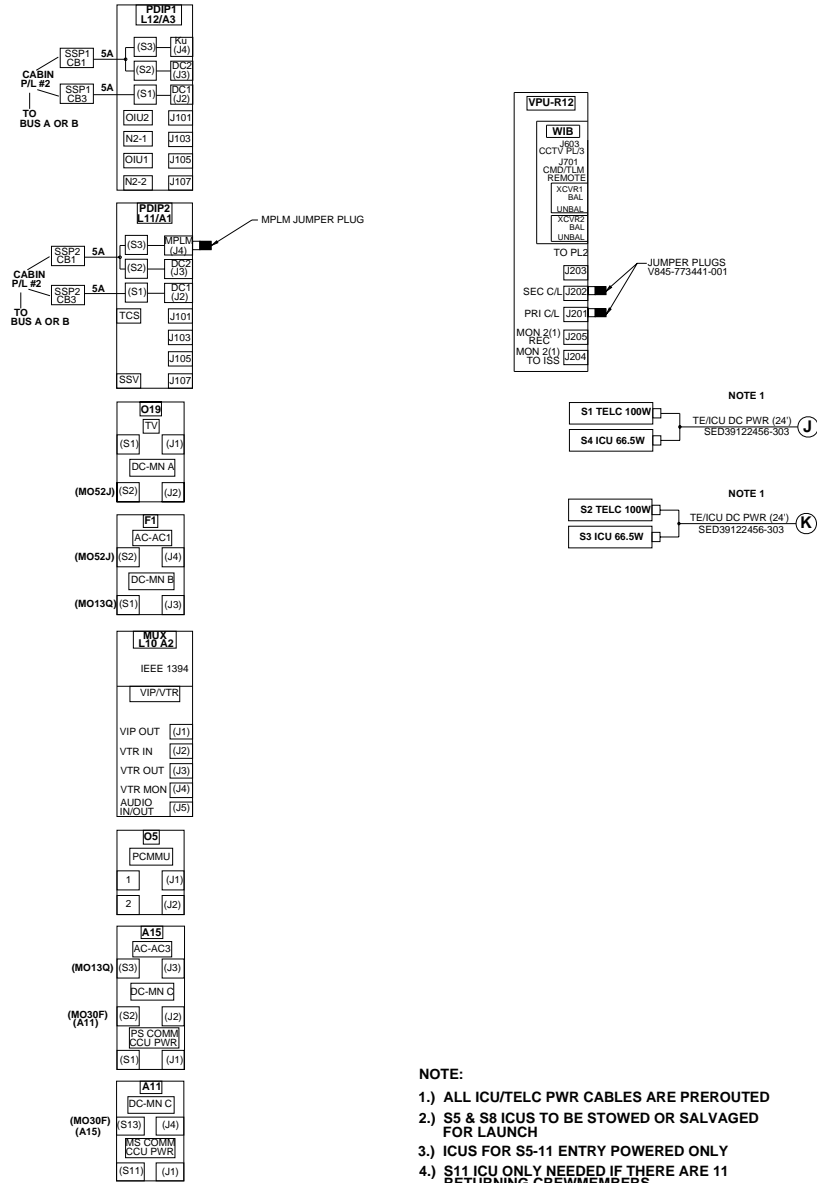


# PWR: ON-ORBIT CONFIG – MIDDECK

REV A  
06/18/07

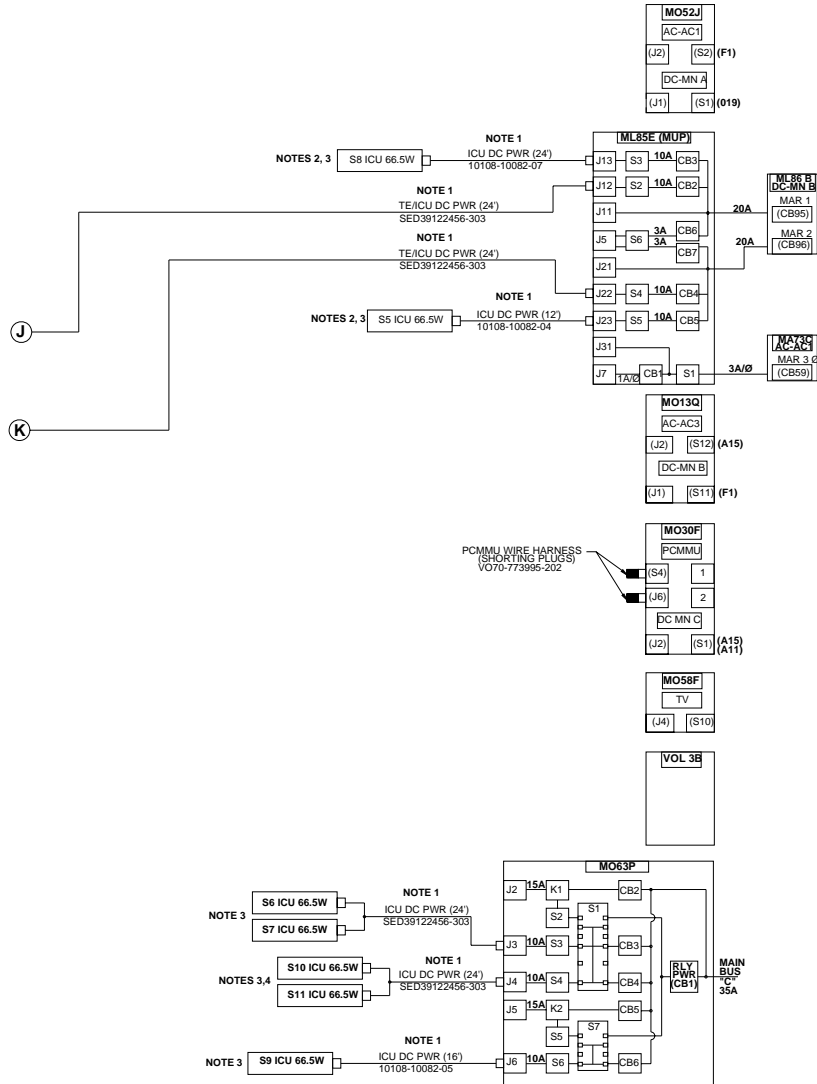


# PWR: CREW RESCUE COOLING CONFIG – FLT DECK



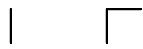
# PWR: CREW RESCUE COOLING CONFIG – MIDDECK

REV A  
06/18/07





This Page Intentionally Blank





PLB FLOODLIGHT CONSTRAINTS

PAYLOAD BAY FLOODLIGHT CONSTRAINTS ..... FS 5-2

PLB  
FLOODLT

FS 5-1

REF/118/FIN

**PLB  
FLOODLT**

**PAYLOAD BAY FLOODLIGHT CONSTRAINTS**

GENERIC	STS-118
<ul style="list-style-type: none"> <li>• STARTUP &lt; 5 min, otherwise remove pwr</li> <li>• ON &gt; 10 min (includes STARTUP)</li> <li>• OFF &gt; 10 min (unblocked)</li> <li>• OFF &gt; 16 min (blocked)</li> </ul>	<p><b>ITS-S5 TRUSS IN PLB</b></p> <p>FWD LIGHTS</p> <ul style="list-style-type: none"> <li>• Generic constraints apply</li> </ul> <p>MID LIGHTS</p> <ul style="list-style-type: none"> <li>• When orbiter not in bay-to-Sun type attitude, generic constraints apply</li> <li>• When orbiter in bay-to-Sun type attitude, max 60 min ON, 30 min OFF</li> </ul> <p>AFT LIGHTS</p> <ul style="list-style-type: none"> <li>• When orbiter not in bay-to-Sun type attitude, generic constraints apply</li> <li>• When orbiter in bay-to-Sun type attitude, max 30 min ON, 30 min OFF</li> </ul> <p><b>ITS-S5 TRUSS NOT IN PLB</b></p> <ul style="list-style-type: none"> <li>• Generic constraints apply to all floodlights</li> </ul>

ENTRY STOWAGE

FLIGHTS WITH RETENTION NET..... FS 6-2

**ENTRY  
STOW**

FS 6-1

REF/118/FIN

## **FLIGHTS WITH RETENTION NET**

### AIRLOCK CONFIGURATION

1. Stow clothing and soft goods in airlock in mesh bag or jettison stowage bag
2. Tie bags to standoffs on handrails or EVA attachment point
3. Avoid using standoffs on handrail just inside inner hatch (bags may snag on opening mechanism during ground retrieval)
4. Attempt to tape bags to floor or wall to prevent settling on EMUs or hatches

### RETENTION NET CONFIGURATION

1. Configure sleeping bags in two stacks (4 top, 3 bottom)
2. Verify retention net in forward position
3. Return to Houston bag(s) behind retention net should contain only:
  - Ascent FDF
  - Digital Video Tapes
  - Matching shirts for post-flight PAO
4. Restrain RTH Bag(s) using seat restraint and Gray Tape as necessary

### ITEMS/NOTES

1. Stow the following items:
  - Water Samples and ACTEX Purge Bags in Fresh Food Locker (MF14E)
2. Stow used disposable batteries in double-wrap Ziplock Bags away from heat source. Recommend Fresh Food Locker (MF14E)

**ENTRY  
STOW**

### MISSION SPECIFIC ITEMS/NOTES

1. Laundry should be divided into two stowage locations – half in Airlock and half behind Retention Net



CUE CARD CONFIGURATION



FAB USE ONLY

FS 7-1

REF/118/FIN



CUE  
CARDS

**CUE CARDS**

TOP

FAB USE ONLY

FS CC 7-2

REF/118/FIN

(reduced copy)

REF-1a/118/O/A

**STS-118 CONSUMABLES**

DRY WIPES (24/pkg) (24/cm/day)	WMC (pkg)	29 28 27 26 25 24 23 22 21 20 19 18 17 16 15 14 13 12 11 10 9 8 7 6 5 4 3 2 1	MD Floor Bag 2 (STBD D)	48 47 46 45 34 33 32 31 30 29 28 27 26 25 24 23 22 21 20 19 18 17 16 15 14 13 12 11 10 9 8 7 6 5 4 3 2 1	SpaceHab (pkg)	23 22 21 20 19 18 17 16 15 14 13 12 11 10 9 8 7 6 5 4 3 2 1
	ELBOW BAGS	WMC	16 15 14 13 12 11 10 9 8 7 6 5 4 3 2 1	MD Floor Bag 2 (STBD D)	6 5 4 3 2 1	SpaceHab (pkg)
EMESIS BAGS	WMC	7 6 5 4 3 2 1	MD Floor Bag 2 (STBD D)	13 12 11 10 9 8 7 6 5 4 3 2 1		
GLOVES (50/pkg) (2/cm/day)	WMC (pkg)	2 1	MD Floor Bag 2 (STBD D)	1	Vol G (MD80R) (pkg)	1
GLOVES, SHOULDER LENGTH	MD Floor Bag 2 (STBD D)	1				
PREFILTERS, CONICAL	WMC	20 19 18 17 16 15 14 13 12 11 10 9 8 7 6 5 4 3 2 1	MD Floor Bag 2 (STBD D)	20 19 18 17 16 15 14 13 12 11 10 9 8 7 6 5 4 3 2 1		
SUPA, OHS	MA16D	14 13 12 11 10 9 8 7 6 5 4 3 2 1				
TOWELS (1/cm/day)	WMC	36 35 34 33 32 31 30 29 28 27 26 25 24 23 22 21 20 19 18 17 16 15 14 13 12 11 10 9 8 7 6 5 4 3 2 1	MD Floor Bag 2 (STBD D)	41 40 39 38 37 36 35 34 33 32 31 30 29 28 27 26 25 24 23 22 21 20 19 18 17 16 15 14 13 12 11 10 9 8 7 6 5 4 3 2 1	SpaceHab (pkg)	21 20 19 18 17 16 15 14 13 12 11 10 9 8 7 6 5 4 3 2 1
	TRASH BAGS (Coffee Can) (10/pkg) (2/cm/day)	WMC (pkg)	10 9 8 7 6 5 4 3 2 1	MD Floor Bag 2 (STBD D)	5 4 3 2 1	SpaceHab (pkg)
WASHCLOTHS (2/cm/day)	WMC	32 31 30 29 28 27 26 25 24 23 22 21 20 19 18 17 16 15 14 13 12 11 10 9 8 7 6 5 4 3 2 1	MD Floor Bag 2 (STBD D)	122 121 120 119 118 117 116 115 114 113 112 111 110 109 108 107 106 105 104 103 102 101 100 99 98 97 96 95 94 93 92 91 90 89 88 87 86 85 84 83 82 81 80 79 78 77 76 75 74 73 72 71 70 69 68 67 66 65 64 63 62 61 60 59 58 57 56 55 54 53 52 51 50 49 48 47 46 45 44 43 42 41 40 39 38 37 36 35 34 33 32 31 30 29 28 27 26 25 24 23 22 21 20 19 18 17 16 15 14 13 12 11 10 9 8 7 6 5 4 3 2 1	SpaceHab (pkg)	42 41 40 39 38 37 36 35 34 33 32 31 30 29 28 27 26 25 24 23 22 21 20 19 18 17 16 15 14 13 12 11 10 9 8 7 6 5 4 3 2 1
	WET WASHES (40/pkg) (11/cm/day)	WMC (pkg)	6 5 4 3 2 1	MD Floor Bag 2 (STBD D)	16 15 14 13 12 11 10 9 8 7 6 5 4 3 2 1	SpaceHab (pkg)
Wipe, Disinfectant (25/pkg)	WMC (pkg)	3 2 1	ML60B (pkg)	1		

TOP  
BACK OF 'STS-118 CONSUMABLES'

HOOK  
VELCRO

FAB USE ONLY

(reduced copy)  
FS CC 7-3

REF/118/FIN

REF-1b/118/O/A



This Page Intentionally Blank



FAB USE ONLY

FS 7-4

REF/118/FIN





Space Shuttle Program  
FLIGHT DATA FILE

JSC-48042-118  
FINAL



**REFERENCE  
DATA**

**STS  
118**

Flight Cover (trim bottom to expose tabs)