

Reference Data

STS-119 Flight Supplement

**Mission Operations Directorate
Operations Division**

**Final
January 30, 2009**

National Aeronautics and
Space Administration

Lyndon B. Johnson Space Center
Houston, Texas

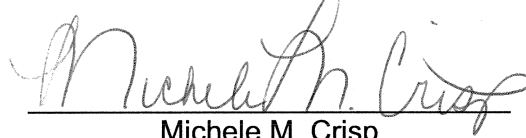


MISSION OPERATIONS DIRECTORATE

**REFERENCE DATA
STS-119 FLIGHT SUPPLEMENT**

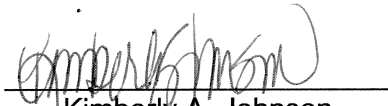
FINAL
January 30, 2009

PREPARED BY:



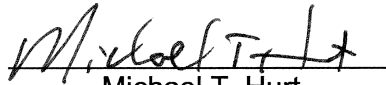
Michele M. Crisp
Publication Manager

APPROVED BY:



Kimberly A. Johnson
Manager, Shuttle
Procedures Management

ACCEPTED BY:



Michael T. Hurt
FDF Manager

This document is under the configuration control of the Crew Procedures Control Board (CPCB). All proposed changes must be submitted via FDF Workflow Crew Procedure Change Request (CR) to DO3/FDF Manager.

Additional distribution of this book, for official use only, may be requested in writing to DO3/PMO Administrator. The request must include justification and requester's name, organization, position, and phone number. Contractor requests are made through the NASA or DOD organization supported. Deletions, reduction in quantity, or change of address may be submitted to DO3/FDF Management Office, 281-244-1184.

Incorporates the following:
482#: REF_FS-0027 REF_FS-0028

AREAS OF TECHNICAL RESPONSIBILITY

Publication Manager	DO35/M. Crisp	281-483-5975
Alternate Publication Manager	DO35/L. Giles	281-244-9068

REFERENCE DATA
STS-119 FLIGHT SUPPLEMENT

LIST OF EFFECTIVE PAGES

FINAL 01/30/09

Sign Off	*	119/FIN	FS 2-9	119/FIN
FS ii	*	119/FIN	FS 2-10	119/FIN
FS iii	*	119/FIN	FS 2-11	119/FIN
FS iv	*	119/FIN	FS 2-12	119/FIN
FS v	*	119/FIN	FS 2-13	119/FIN
FS vi	*	119/FIN	FS 2-14	119/FIN
FS 1-1		119/FIN	FS 2-15	119/FIN
FS 1-2		119/FIN	FS 2-16	119/FIN
FS 1-3		119/FIN	FS 2-17	119/FIN
FS 1-4		119/FIN	FS 2-18	119/FIN
FS 1-5		119/FIN	FS 2-19	119/FIN
FS 1-6		119/FIN	FS 2-20	119/FIN
FS 1-7		119/FIN	FS 2-21	119/FIN
FS 1-8		119/FIN	FS 2-22	119/FIN
FS 1-9		119/FIN	FS 2-23	119/FIN
FS 1-10		119/FIN	FS 2-24	119/FIN
FS 1-11		119/FIN	FS 2-25	119/FIN
FS 1-12		119/FIN	FS 2-26	119/FIN
FS 1-13		119/FIN	FS 2-27	119/FIN
FS 1-14		119/FIN	FS 2-28	119/FIN
FS 1-15		119/FIN	FS 3-1	119/FIN
FS 1-16		119/FIN	FS 3-2	119/FIN
FS 2-1		119/FIN	FS 3-3	119/FIN
FS 2-2		119/FIN	FS 3-4	119/FIN
FS 2-3		119/FIN	FS 3-5	119/FIN
FS 2-4		119/FIN	FS 3-6	119/FIN
FS 2-5		119/FIN	FS 3-7	119/FIN
FS 2-6		119/FIN	FS 3-8	119/FIN
FS 2-7		119/FIN	FS 3-9	119/FIN
FS 2-8		119/FIN	FS 3-10	119/FIN

* – Omit from flight book

FS 3-11	119/FIN	FS 4-7	119/FIN
FS 3-12	119/FIN	FS 4-8	119/FIN
FS 3-13	119/FIN	FS 4-9	119/FIN
FS 3-14	119/FIN	FS 4-10	119/FIN
FS 3-15	119/FIN	FS 4-11	119/FIN
FS 3-16	119/FIN	FS 4-12	119/FIN
FS 3-17	119/FIN	FS 4-13	119/FIN
FS 3-18	119/FIN	FS 4-14	119/FIN
FS 3-19	119/FIN	FS 5-1	119/FIN
FS 3-20	119/FIN	FS 5-2	119/FIN
FS 4-1	119/FIN	FS 6-1	119/FIN
FS 4-2	119/FIN	FS 6-2	119/FIN
FS 4-3	119/FIN	FS 7-1	* 119/FIN
FS 4-4	119/FIN	FS CC 7-2	* 119/FIN
FS 4-5	119/FIN	FS CC 7-3	* 119/FIN
FS 4-6	119/FIN	FS 7-4	* 119/FIN

REF DATA CUE CARDS

<u>Title</u>	<u>Ref. Page</u>	<u>Card No.</u>
STS-119 CONSUMABLES		
(Front).....	FS CC 7-2	REF-1a/119/O/A
(Back).....	FS CC 7-3	REF-1b/119/O/A

* – Omit from flight book

<u>CONTENTS</u>	<u>PAGE</u>
<u>LOCKER STOWAGE</u>	FS 1-1
STS-119 FLT DECK STOWAGE	FS 1-2
MIDDECK STOWAGE	FS 1-4
LIGHTWEIGHT MAR	FS 1-14
CONSUMABLES.....	FS 1-15
 <u>ALPHABETICAL STOWAGE</u>	 FS 2-1
 <u>FDf DOCUMENTATION STOWAGE</u>	 FS 3-1
LAUNCH CONFIG – LOCKER.....	FS 3-2
– ALPHABETICAL.....	FS 3-3
 <u>UTILITY OUTLET PLUG-IN PLAN</u>	 FS 4-1
PWR: PANEL REFERENCE	
FLT DECK	FS 4-2
MIDDECK.....	FS 4-3
PWR/DATA/VIDEO: PRE-ROUTED CONFIG	
FLT DECK	FS 4-4
MIDDECK.....	FS 4-5
PWR/DATA/VIDEO: ASCENT CONFIG	
FLT DECK	FS 4-6
MIDDECK.....	FS 4-7
PWR/DATA/VIDEO: ENTRY CONFIG	
FLT DECK	FS 4-8
MIDDECK.....	FS 4-9
PWR: ON-ORBIT CONFIG	
FLT DECK	FS 4-10
MIDDECK.....	FS 4-11
PWR: CREW RESCUE COOLING CONFIG	
FLT DECK	FS 4-12
MIDDECK.....	FS 4-13
 <u>PLB FLOODLIGHT CONSTRAINTS</u>	 FS 5-1
PAYLOAD BAY FLOODLIGHT CONSTRAINTS	FS 5-2
 <u>ENTRY STOWAGE</u>	 FS 6-1
FLIGHTS WITH RETENTION NET	FS 6-2
 <u>CUE CARD CONFIGURATION</u>	 FS 7-1



This Page Intentionally Blank



LOCKER STOWAGE

STS-119 FLT DECK STOWAGE	FS 1-2
MIDDECK STOWAGE	FS 1-4
LIGHTWEIGHT MAR	FS 1-14
CONSUMABLES	FS 1-15

LOCKER

LOCKER

STS-119 FLT DECK STOWAGE

C4A

FDF

C4F

FDF

R3A

FDF

R3F

FDF

L10 UPPER

AVIU

Cables

- Digital CC Vid/Pwr, 15 ft
- DTV IEEE 4-Pin to Female
- DTV IEEE 4-Pin to Male
- MPC to DTV Mux, 3 ft
- MPC to DTV Mux, 9 ft
- PPOV Teac Wye

MPC

Pwr Supply, MPC

Tapes

- Digital Video (171)
- Sony Video (14)

VPU Plug, Green

01/26/09

L10 LOWER

DTV w/Tape

L11

OIU

PDIP 2

L12

PDIP 1

SSP-1/SSP-2

R12

SPAS/OPP/OBSS

VPU

A16

Bag, Camera

Batts

AA (8)

D2XS (4)

Cable Assy, Shutter Release
w/Extension

Card, DCS 760 (7)

Cleaning Solution

Dry Wipe

Filter, Polarizing Modified

Flash (2)

FS 1-2

A16

(Cont)

Bag, Camera (Cont)

Flash Assy w/Batt (2)

Lens

10.5mm

17-35mm

28-70mm

28mm

80-200mm

Lens Cap (3)

Thermal Blanket, EVA

Viewfinder, EVA

Bracket, Multiuse (2)

Cable, PGSC DC Pwr, 10 ft

Cable, PGSC DC Pwr, 6 ft

Computer Desk, Inflight (2)

PILOT Hand Controller

Bungee (2)

Cable, PILOT RS-232 Pwr/Data Y

Tie Wrap (10)

Pwr Supply, DC

REF/119/FIN

STS-119 FLT DECK STOWAGE (Cont)

A17

Bag, DTV Camcorder
Adapter, Stereo-to-Mono Audio
BAL/UNBAL Transformer
Binoculars (2)
Cables
 AVIU Video w/BNC Adapter
 BPSMU AVIU Patch
 Digital Camcorder Video/Pwr
 IEEE 1394 4-Pin Firewire
 PCMCIA to WIB-Remote
 PD100 A/V Adapter
 RCA-RCA (2)
 S-Video A31p
 Video IN/OUT
 VIU/CM-CC Video, 15 ft
 VPU Patch
Camera, Mini-Cam (HUD Entry)
 Bracket, HUD
 Cable, VIU LCD, 20 ft
 Lens, 12mm
 Tie Wrap, 14 in
Camera, Mini-Cam (Window 3)
 Lens, 12mm
 Lens, 6mm
Converter, IVA 1394 (2)
Kit, DTV MUX Fuse (5-5A, 3-2A)
Lens, 8mm Fisheye
Ziplock, 13 x 18 (15)

A17

(Cont)
Bag, Core Camcorder
Adapters
 BNC-RCA (2)
 BNC-T (2)
 RCA-BNC (2)
Audio Muting Plug
AVIU
Batt Charger, Li-ION
Batts
 Li-ION (6)
 Silver Oxide, 1.5V (3)
Bracket, Lockline Flex
Camcorder, Canon HG1 w/Tape
Coupler, TWINAX (2)
Headphones
Lens, Wide Angle
Microphone w/Batt
Tape, Digital Video (19)
Pry Bar, Window 8
Quick Don Mask (4)

01/26/09

FS 1-3

REF/119/FIN

STS-119 MIDDECK STOWAGE

FORWARD LOCKERS

MF14E

Food, Fresh
Food, Fresh

MF14G

Food, Fresh
Food, MS5 DN Meals 12A-15B
Food, MS5 UP Meals 1C-4B

MF14H

Food, CDR Meals 1C-8B
Food, CDR Meals 8C-15B

MF14K

Food, PLT Meals 1C-8B
Food, PLT Meals 8C-15B

MF14M

Food, MS1 Meals 1C-8B
Food, MS1 Meals 8C-15B

MF14O

Food, MS2 Meals 1C-7B
Food, MS2 Meals 7C-12C

MF28E

PCDF-PU

MF28G

IFM Tools

MF28H

Bag, Chemical Resistant (2)
Bottle, Air Sample (2)
Breaker Bar (Pallet Removal)
Breakout Box
Duxseal
Extension, 4 in
Filter, Waste Water Dump
IFM Fastener Retainer Cushion
Kits
Foam Applicator (2)
RMS D&C IFM
Lubricant
Turnbuckle (3)

MF28K

CD Case
Cryo Gloves, Large
Cryo Gloves, Medium
GLACIER Closeout Cover

MF28K

(Cont)
GLACIER HNDL
Food, MS2 Meals 13A-15B
Food, MS4 Meals 7A-9C

MF28M

Food, MS3 Meals 1C-8B
Food, MS3 Meals 8C-15B

MF28O

Food, MS4 Meals 1C-6C
Food, MS4 Meals 10A-15B

MF43C

Clothing, MS2
Clothing, MS2

MF43E

Cables
AC W
Parallel Data
Pwr, AC, 20 ft

01/26/09

FS 1-4

REF/119/FIN

STS-119 MIDDECK STOWAGE (Cont)

FORWARD LOCKERS (Cont)

MF43E

(Cont)
Printer, Color
Cartridge, Black (2)
Cartridge, Color (2)
Paper (2)
Washcloth

MF43G

Clothing, CDR
Clothing, CDR

MF43H

Bags
Inflight Stowage Restraint (11)
Jettison Stowage (8)
Bungee, Adjustable (7)
Canister, WCS (Coffee Can)
Covers
HUD (2)
Parachute (3)
Hoses
Personal Hygiene
WCS Canister
Kit, Comm
Cable, Comm 4 ft
Cable, Comm 14 ft

01/26/09

MF43H

(Cont)
Kit, Comm (Cont)
Microphone, Handheld (3)
VLHS (2)
Kit, SEE
Mirror, Personal Hygiene (2)
PIP Pin Assy
O2 Bleed Orifice
PIP Pin (12)
PIP Pin, Egress Pole/Spare
Switch Guard
Tape
Gray, 1 in
Gray, 2 in
Wipes, Disinfectant (1 pkg)
Ziplock Bag, 12 x 12 (8)
Ziplock Bag, 8 x 8 (20)

MF43K

Crew Pref
Entry Garments

MF43M

Vacuum Cleaner
Bags (4)
Cable, DC Pwr, 20 ft

MF43M

(Cont)
Vacuum Cleaner (Cont)
Tools
Cabin Fan Filter
Crevice
DDU Filter/Flex Modular
Flex Hose/Suction Hoses
Hose Adapter

MF43O

Clothing, MS5 UP
Clothing, MS5 DN

MF57A (VOL A)

Food, Pantry
Accessories
Utensils, Eating

MF57C

Clothing MS3
Clothing MS3

MF57E

FDF

FS 1-5

REF/119/FIN

STS-119 MIDDECK STOWAGE (Cont)

FORWARD LOCKERS (Cont)

MF57G

Clothing, MS1
Clothing, MS1

MF57H

FDF | SODF

MF57K

SODF

MF57M

Crew Support

MF57O

Batt Cap/Fuse Assy
Batts
AA
BPSMU (3)
LIDAR (2)
BPSMU
Cables
BAL/UNBAL Transformer
BNC to BNC
BPSMU to CCU Adapter
LIDAR Interface

MF57O

(Cont)
Cables (Cont)
PGSC Pwr, 6 ft
SSV to PDIP/CIP
Kit, SSV Fuse
LIDAR
LIDAR w/Nightscope
SSV Compression Encoder

MF71C

Clothing, MS4
Clothing, MS4

MF71E

Bag, DOME GENE
Cell Experiment Large Fixation
Cylinder (3)
Cell Experiment Large Fixation
Stick (8)
Cell Experiment Large Fixation
Washing Buffer Cassette (2)
Cell Experiment Large Waste Bag
Cell Experiment Larger Prefixation
Apparatus (2)

MF71E

(Cont)
Bag, DOME GENE (Cont)
Cell Experiment Padles Dosimeter (2)
Cell Experiment Small Fixation
Cylinder (3)
Cell Experiment Small Fixation Stick (8)
Cell Experiment Small Fixation
Washing Buffer Cassette (3)
Cell Experiment Small Prefixation
Apparatus
Cell Experiment Small Waste Bag (2)
Crew Provisions
Glove, JAXA PL Large
Temperature Data Logger

MF71G

Clothing PLT
Clothing PLT

MF71H

Crew Care Pkg
Kit, ISS Photo TV Resupply

01/26/09

FS 1-6

REF/119/FIN

STS-119 MIDDECK STOWAGE (Cont)

FORWARD LOCKERS (Cont)

MF71K

Cell Experiment Dosimeter (2)
Cell Experiment Temp Logger (2)
Cell Experiment Unit A (4)
Cell Experiment Unit B
GAP Assy (8)
Hand Crank System On/Off Remote
Control Assy

MF71M

Braycote
CSA-CP Assy
 Batt Pack, CSA-CP (3)
 Sampling Pump
 Sampling Pump Filter
 Zero Filter Assy
CWC, Condensate Collection (2)
Hose, SUPA (15)
Hose, Y-Y 8 ft Condensate
Kit, Docking Mechanism Accessory
 APAS Hatch Tool
 Cloth Wipes
O-Ring, Bore Seal (2)
O-Ring, Face Seal (2)
Towel

MF71O

Adapter, Bends Treatment (BTA)
Audio Dosimeter
Batts
 AA (30)
 Li-ION (10)
Camera, D2XS w/Card
COAS
 Filter, NI-CR
Light Shade (2)
Photo Floodlight

01/26/09

FS 1-7

REF/119/FIN

STS-119 MIDDECK STOWAGE (Cont)

AFT LOCKERS

MA9D/F

Bag, CIPAA Containment
CIPAA Sack Assy (2)
Coax Cable Torque Adapter (2)
DTV DSR, Spare
DTV MUX Tool Pouch
DTV MUX, Spare
DTV VIP, Spare
Extension Probe
T-RAD
VTR, Sony DSR-25
Wrench, RCC Leading Edge

MA9G

Bag, Double Cold
Cartridge, Crack Gun (2)
HOBO Data Logger (3)
Icepac Assy (10)

MA9J

Tray, Color Printer (2)
ACTEX (2)
Adapter, Dash 2
Filter, Microbe (Spare)
Hoses
 ACTEX
 Filter Hose Assy
 Water Supply
Microbial Check Valve

01/26/09

MA9L

Actiwatch (3)
Kits
 Ammonia Detection
 Blood Collection (2)
 HRM Component (2)
 Saliva Collection
Logbook, Sleep (2)
Resuscitator

MA9N

Kit, Personal Hygiene (PHK) (6)
Chem Lights
 Green (27)
 Red (28)
Kit, Contaminant Cleanup
PHK, Community
Fiberscope Light Source
Fiberscope, Video
Kit, Fluid Loading (2)
Restraints
 Foot Loop (Spare) (6)
 Seat (Spare) (2)
Trash Bag, WMC (Spare)

MA16D

ISS Reserve

MA16F/G

GLACIER

MA16J

CTB, Photo TV Stow-N-Go
Adapters
 BNC-RCA Phono (2)
 Camera Plate Flex
 RCA Gender (2)
AVIU (5)
Brackets
 Base Multiuse
 Clamp Multiuse (3)
 Lockline Flex (2)
 Multiuse (3)
Cables
 AVIU Video
 Balanced Video (2)
 Digital CC Video Pwr (5)
 PD100 A/V Adapter
 VIU/CM-CC Video, 15 ft (4)
Computer Desk, Inflight (2)
Lens, PD100 Wide Conversion
Recorder, V10 w/Tape (4)
Remote, DTV (2)
Tape, Digital Video (25)

FS 1-8

REF/119/FIN

STS-119 MIDDECK STOWAGE (Cont)

AFT LOCKERS (Cont)

MA16L

Plug Attach Bolt (4)
Plug Attach Bolt, Bottom Body Halve (4)
Plug Attach Bolt, Top Body Halve (4)
Plug Tethers (3)
RCC Plug Cover Plate (18)
T-Bar (4)
Universal Repair Plug

MA16N

Cable, Biomed (2)
Container, Sharps
Kits
 Dosimeter
 Electrode
 Medical Accessory
 Operational Bioinstrumentation System
Restraint (4)
Saline (2)
Subpacks
 Airway
 Drug
 EENT
 IV Administration
 Saline Supply
 Trauma

01/26/09

FS 1-9

REF/119/FIN

STS-119 MIDDECK STOWAGE (Cont)

WASTE MGMT COMPARTMENT

Bag, Emesis (7)
Prefilter, Conical (20)
Scraper Tool
Towels (36)
Urinal Funnel, Female Oblong
Urinal Funnel, Female Round
Urinal Funnel, Male (7)
Washcloths (32)
WCS Tool
Bag, Elbow (16)
Clothing, 1st Day (7)
Hose, SUPA
Trash Bag, Aux Wet
Dry Wipes, Multi-Purpose (29 pkg)
Gloves (2 pkg)
Trash Bag, Coffee Can (10 pkg)
Wet Washes (6 pkg)
Wipes, Disinfectant (3 pkg)

VOL B (MA4D)

Bag, Elbow (5)
Dry Wipes, Multi-Purpose (40 pkg)
Trash Bag, Coffee Can (8 pkg)
Washcloths (56)
Wet Washes (24 pkg)
Wipes, Disinfectant (3 pkg)

VOL B (MA4J)

Bag, Elbow (9)
Bag, Emesis (13)
Dry Wipes, Multi-Purpose (20 pkg)
Gloves (1 pkg)
Gloves, Shoulder length (1 pkg)
Prefilter, Conical (20)
Towels (13)
Trash Bag, Coffee Can (5 pkg)
Washcloths (28)
Wet Washes (16 pkg)
Wipes, Disinfectant (11 pkg)

VOL 3B (MA73J)

Audio Muting Plug
Batts
AAA (14)
Li-ION (2, 1 installed)
NiMH (2)
Cable, VIU LCD, 20 ft
Camcorder, PD100 w/Tape
Camera, DCS 760 w/Card
Card, PCMCIA, 1 GB
Flash
Lens
28-70mm
400mm
Monitor, LCD w/Batts
OCAC
Quick Don Mask (3)
Spotlight

VOL D (MD52C)

Not Installed

VOL E (MD76C)

OFK/PPK

VOL F (MD76M)

Trash Bag, Wet

VOL G (MD80R)

Bag, Apollo Fecal (40)
CUCD, Male (54)
CWC (2)
Filter, OBF
Gloves (1 pkg)
Pull-Ups (24)
Ziplock Bag, 13 x 18 (8)

LiOH VOL (MD52M)

Canisters
ATCO
LiOH (29)
Gloves, Nitrile (40)
G-Suit (6)
Mask, Surgical Filter (30)

01/26/09

FS 1-10

REF/119/FIN

STS-119 MIDDECK STOWAGE (Cont)

EXTERNAL AIRLOCK

PORT

EMU – EV2 (see EVA C/L)

STBD

EMU – EV1 (see EVA C/L)

AIRLOCK FLOOR BAG

Bag, Crew Lock EVA Right

Bag, EMU Gloves

Batt, EMU

CCA

CCC (2)

Crack Repair Pallet Assy (2)

ECOK

Gloves, Phase VI (2 pr)

LCVG (3)

LWR Arm Wrist Disconnect Protective
Cover (2)

Mirror, EMU Band (2)

Mod Kit, Protective Sleeve Connector
Assy (2)

Orbit Installed GAP Spanner (6)

Tether, Adjustable Equipment (2)

VOL H (MD23R)

INBOARD

See EVA C/L

OUTBOARD

See EVA C/L

01/26/09

MA12B (WINDOW SHADE BAG)

Bag, Window Shade

Bag, IFM Cont Hose and Cable Kit

Adapter, Yellow/Red

Cables

AC Pwr Cont Transfer, 15 ft

DC Harness, 24 ft (2)

DC Pigtail Connector (2)

IFM Remote Control

OCA Spare

Clamp, Various Sizes (14)

Gloves, Clean Room

Hoses

1/4 in (6 ft)

3/8 in (6 ft)

Cont Blue/Blue

Cont Red/Red

Cont Yellow/Yellow

CWC Contingency

O2 Contingency

Panel Covers

A8

Fastener (6)

Lower

Upper

R2

Elastic Tie Down

Snap Tie (2)

Standoff (5)

Stiffener (2)

FS 1-11

MA12B (WINDOW SHADE BAG)

(Cont)

Bag, Window Shade (Cont)

Protective Cover Wireway (3)

Shade, CCTV Monitor (2)

Water Equipment Assy

Filter, Wand Extender Assy

Galley Needle (Spare)

Separator, Water/Gas (2)

Supply Water Dump Line Purge Assy

Water Dispenser, Contingency

Window Shade, Ovhd (2)

Window Shield, Ovhd (2)

REF/119/FIN

STS-119 MIDDECK STOWAGE (Cont)

MIDDECK CEILING

BAG E (Port 1)

UPA Distillation Assy ORU

BAG F (Port 2)

Bag, CHECS #2

Cables

CEVIS Control Panel

GC/DMS Data

Output Pwr 24 VDC

UOP/EXT Pwr Supply

CEVIS Control Panel

GC/DMS Microanalyzer (2)

GC/DMS Pwr Supply Assy

Kit, ISS Medical Accessory (2)

Bag, Food (3)

BAG G (Stbd 1)

Bag, Crack Repair

Batt, AA (6)

Blanket, Thermal EVA Camera

CCC (2)

Crack Repair Gun (2)

Digital Camera Mount, EVA

ECOK (2)

Emittance Wash Applicator (2)

EVA Wipes (5)

Flow Shut Off Valve (2)

Multiplexer

MIDDECK CEILING

(Cont)

BAG G (Stbd 1) (Cont)

MWS Swingarm RH

MWS Tool Stowage Caddy

PEEL Layer Assy (4)

RCC Scraper, 2 in (4)

RCC Scraper, 5 in (2)

Ruler, Protuberance Gauge

SAFER Hand Controller Module

Hardmount

Template Mount Insulator (2)

Tether Extension (2)

Tether, Adjustable Equipment w/Slide

Lock (6)

Tether, Body Restraint

Tether, EVA Camera

Tether, Retractable Equipment (11)

Tether, Waist w/Slide Lock (4)

Thermal Sensor, EVA

Trash Bag, EVA Large

BAG H (Stbd 2)

ACES

Bag, Suit Stowage

CCA

Gloves

G-Suit

LCG Pants

CWC (2)

MIDDECK CEILING

(Cont)

BAG H (Stbd 2) (Cont)

LiOH w/Cover (8)

RSK Rail 6

Bushing

Cue Card

Headrest, RSK

ICU Bracket (2)

ICU Strap

MIDDECK FLOOR

BAG A (Port)

Bag, CHECS #1

Grab Sampler (3)

Harness, Treadmill (5)

Kit, CEVIS Resupply

Torque Wrench, Dial

Bag, CSA-CP/Microbial Air Kits

CSA-CP Resupply (2)

Microbial Air Sampler

Roller Replacement (2)

Saliva Collection

Bag, Half CTB Food (4)

Crew Provisions (16)

Kit, Blood Collection

01/26/09

FS 1-12

REF/119/FIN

STS-119 MIDDECK STOWAGE (Cont)

MIDDECK FLOOR

(Cont)

BAG B (Port)

IELK
Shoes, Athletic
Shoes, Cycling

BAG C (Stbd 1)

Bag, EMU Hardware
CCA (2)
Gloves, Phase VI (4)
Leg Assy (2)
Leg Sizing Ring, 1.5" pr/Protective
Pouch
LWR Arm Wrist Disconnect
Protective Cover (4)
LWR Arm, Boot, LWR Leg FAR,
Protective Pouch (2)
Thigh Brief, Upper Leg FAR
Protective Pouch (2)
Thigh Sizing Ring, 0.5" pr (2)/
Protective Pouch
Bulb Assy, Flood Light (4)
Drink Bag, Insuit (18)
ECOK
Filter, EMU 3 Micron (4)
Filter, EMU Ion (2)
LCVG (3)
LWR Arm (4)

MIDDECK FLOOR

(Cont)

BAG C (Stbd 1) (Cont)

LWR Arm Wrist Disconnect Protective
Cover (4)
LWR Arm, Boot, LWR Leg FAR
Protective Cover (4)
MWS
Baseplate (2)
Gimbal (2)
Key Strap
Signal Conditioner
Spot Beam Reflector (4)
Tether, Safety, 85 ft (2)
Torque Limiting Drive
Torque Wrench (2)
UIA Biocide Filter (2)
Wire Tie, Short (20)

BAG D (Stbd 2)

Area Paddles
Bag, Makeup (2)
Batt Holder, JEM E3 (2)
Batt, E3 AA (12)
Camera, JEM E3
Compact Flash, Lexar Pro 8 GB (2)
CWC (2)
CWC, Iodine (10)

MIDDECK FLOOR

(Cont)

BAG D (Stbd 2) (Cont)

Kits
Coolant Quality Monitoring
Mineral Syringe
Sample/Purge
Screen
Silver Biocide Syringe
Lotus Body
Packet Assy, Micro Sample (10)
PATAL
Recycle Filter Tank Assy
Remote Control, JEM E3

01/26/09

FS 1-13

REF/119/FIN

STS-119 LIGHTWEIGHT MAR

ML60B

Cables

- CCTV 20' Cabin
- RS-232 9-Pin
- TV Controller CIP
- TV Controller/CTVM
- Centerline Camera, Prime
- Feeler Gauge (4)
- Harness, Centerline Camera
- Screws (20)
- TV Controller Unit
- Washer (6)
- Wipes, Disinfectant

ML60E

- Access Point, Proxim (2)
- Adapter, RS-422 (4)
- Cables
 - A31p Enhanced DC Pwr (2)
 - A31p Pwr Supply
 - A31p Video Adapter
 - Fuel Cell PCMMU
 - OPP to LCS RJ45
 - Orbiter 1553 Data
 - PDIP RS-422, 24 ft
 - PGSC Pwr, 10 ft
 - PGSC Pwr, 25 ft
 - PGSC Pwr, 6 ft
 - RJ45, 16 ft (3)
 - RJ45, 32 ft

01/26/09

ML60E

(Cont)

- Cables (Cont)
 - RS-232 Y
 - RS-422 Extension, 10 ft (2)
 - RS-422 Y
 - TriPort PCMCIA (5)
 - VLHS to VTS I/F (2)
 - WAP Pwr Supply, 10 ft
 - WAP Pwr, 10 ft
- Card, PC 1553 (2)
- Card, PCMCIA (4)
- Expansion Assy, OCA
- Expansion Assy, PCMMU (2)
- Hard Drive, 60 GB
- Laptop, A31p
- OCA Board
- PGSCs
 - STS-1 – OCA Router
 - STS-2 – Windecom
 - STS-3 – KFX
 - STS-4 – RPOP
 - STS-5 – RPOP2
 - STS-6 – WLES
- Pwr Supply, DC (2)
- Pwr Supply, DC 28V (8)
- Relay (3)
- Ultraport Camera Assy (2)
- Wireless RF Network Card (8)
- WLE Receiver (2)
- Writable CD, PCS

FS 1-14

ML60M

- Centerline Camera, Backup
- Harness, Centerline Backup
- Ultrasonic Leak Detector
 - Acoustic Tip
 - Adapter
 - Batt, 9V (2)
 - Concentrator
 - Headset
 - Probe, Extension (3)
 - Receiver
 - Transmitter

REF/119/FIN

STS-119 CONSUMABLES

<u>Item</u>	<u>Location</u>	<u>Total Qty</u>	<u>Total Qty</u>
Contingency Urine/Fecal Collection Devices:			
CUCDs (male)	VOL G (MD80R)		54
Apollo Fecal Bags	VOL G (MD80R)		40
Pull-Ups	VOL G (MD80R)		24
Disinfectant Wipes (26/pkg) (4/cm/day)	Waste Mgmt Compartment	3 pkg	78
	VOL B (MA4D)	3 pkg	78
	VOL B (MA4J)	11 pkg	286
	ML60B	1 pkg	26
	MF43H	1pkg	26
			494
Dry Wipes, Multi-Purpose (24/pkg) (20/cm/day)	Waste Mgmt Compartment	29 pkg	696
	VOL B (MA4D)	40 pkg	960
	VOL B (MA4J)	20 pkg	480
			2136
Elbow Bags	Waste Mgmt Compartment		16
	VOL B (MA4D)		14
			30
Emesis Bags	Waste Mgmt Compartment		7
	VOL B (MA4J)		13
			20
Gloves (50/pkg) (2/cm/day)	Waste Mgmt Compartment	2 pkg	100
	VOL B (MA4J)	1 pkg	50
	VOL G (MD80R)	1 pkg	50
			200
Gloves, Shoulder Length	VOL B (MA4J)	1 pkg	25
Prefilters, Conical	Waste Mgmt Compartment		20
	VOL B (MA4J)		20
			40
Towels (half/cm/day)	Waste Mgmt Compartment		36
	VOL B (MA4J)		13
			49
Trash Bags (Coffee Can Bags) (10/pkg) (2/cm/day)	Waste Mgmt Compartment	10 pkg	100
	VOL B (MA4D)	8 pkg	80
	VOL B (MA4J)	5 pkg	50
			230

NOTE: The qty/day is based on 7 crewmembers and 15 days

STS-119 CONSUMABLES (Cont)

<u>Item</u>	<u>Location</u>		<u>Total Qty</u>
Washcloths (1/cm/day)	Waste Mgmt Compartment		32
	VOL B (MA4D)		28
	VOL B (MA4J)		<u>56</u>
			116
Wet Washes – (40/pkg) (17/cm/day for Hygiene)	Waste Mgmt Compartment	6 pkg	240
	VOL B (MA4D)	24 pkg	960
	VOL B (MA4J)	16 pkg	<u>640</u>
			1840

NOTE: The qty/day is based on 7 crewmembers and 15 days

ALPHA-
BETIC

ALPHABETICAL STOWAGE

FS 2-1

REF/119/FIN

**ALPHA-
BETIC**

ALPHABETICAL STOWAGE

<u>ITEM</u>	<u>QTY</u>	<u>LOCATION</u>	<u>NOTES</u>
A			
Access Point, Proxim	2	ML60E	
Accessories		MF57A	VOL A, Pantry Food
ACES		MD Ceiling	BAG H (Stbd 2)
Acoustic Tip		ML60M	Ultrasonic Leak Detector
ACTEX	2	MA9J	
Actiwatch	3	MA9L	
Adapter		ML60M	Ultrasonic Leak Detector
Adapter, Bends Treatment (BTA)		MF71O	
Adapter, BNC-RCA	2	A17	Core Camcorder Bag
Adapter, BNC-RCA Phono	2	MA16J	Photo TV Stow-N-Go CTB
Adapter, BNC-T	2	A17	Core Camcorder Bag
Adapter, Camera Plate Flex		MA16J	Photo TV Stow-N-Go CTB
Adapter, Dash 2		MA9J	
Adapter, RCA Gender	2	MA16J	Photo TV Stow-N-Go CTB
Adapter, RCA-BNC	2	A17	Core Camcorder Bag
Adapter, RS-422	4	ML60E	
Adapter, Stereo-to-Mono Audio		A17	DTV Camcorder Bag
Adapter, Yellow/Red		MA12B	Window Shade Bag, IFM CHCK Bag
APAS Hatch Tool		MF71M	Docking Mechanism Accessory Kit
Area Padles		MD Floor	BAG D (Stbd 2)
Audio Dosimeter		MF71O	
Audio Muting Plug		A17	Core Camcorder Bag
Audio Muting Plug		MA73J	VOL 3B
AVIU		A17	Core Camcorder Bag
AVIU		L10 Upper	
AVIU	5	MA16J	Photo TV Stow-N-Go CTB
01/26/09		FS 2-2	REF/119/FIN

<u>ITEM</u>	<u>QTY</u>	<u>LOCATION</u>	<u>NOTES</u>
B			
Bag, Apollo Fecal	40	MD80R	VOL G
Bag, Camera		A16	
Bag, CHECS #1		MD Floor	BAG A (Port)
Bag, CHECS #2		MD Ceiling	BAG F (Port 2)
Bag, Chemical Resistant	2	MF28H	
Bag, CIPAA Containment		MA9D/F	
Bag, Core Camcorder		A17	
Bag, Crack Repair		MD Ceiling	BAG G (Stbd 1)
Bag, Crew Lock EVA Right		A/L Floor Bag	
Bag, CSA-CP/Microbial Air Kits		MD Floor	BAG A (Port)
Bag, DOME GENE		MF71E	
Bag, Double Cold		MA9G	
Bag, DTV Camcorder		A17	
Bag, Elbow	5	MA4D	VOL B
Bag, Elbow	9	MA4J	VOL B
Bag, Elbow	16	WMC	
Bag, Emesis	13	MA4J	VOL B
Bag, Emesis	7	WMC	
Bag, EMU Gloves		A/L Floor Bag	
Bag, EMU Hardware		MD Floor	BAG C (Stbd 1)
Bag, Food	3	MD Ceiling	BAG F (Port 2)
Bag, Half CTB Food	4	MD Floor	BAG A (Port)
Bag, IFM Cont Hose and Cable Kit		MA12B	Window Shade Bag
Bag, Inflight Stowage Restraint	11	MF43H	
Bag, Jettison Stowage	8	MF43H	
Bag, Makeup	2	MD Floor	BAG D (Stbd 2)
Bag, Suit Stowage		MD Ceiling	BAG H (Stbd 2), ACES
Bag, Window Shade		MA12B	WINDOW SHADE BAG
01/26/09		FS 2-3	REF/119/FIN

<u>ITEM</u>	<u>QTY</u>	<u>LOCATION</u>	<u>NOTES</u>
B (Cont)			
Bags	4	MF43M	Vacuum Cleaner
BAL/UNBAL Transformer		A17	DTV Camcorder Bag
Baseplate	2	MD Floor	BAG C (Stbd 1), MWS
Batt Cap/Fuse Assy		MF57O	
Batt Charger, Li-ION		A17	Core Camcorder Bag
Batt Holder, JEM E3	2	MD Floor	BAG D (Stbd 2)
Batt Pack, CSA-CP	3	MF71M	CSA-CP Assy
Batt, 9V	2	ML60M	Ultrasonic Leak Detector
Batt, AA	8	A16	Camera Bag
Batt, AA	6	MD Ceiling	BAG G (Stbd 1)
Batt, AA		MF57O	
Batt, AA	30	MF71O	
Batt, AAA	14	MA73J	VOL 3B
Batt, BPSMU	3	MF57O	
Batt, D2XS	4	A16	Camera Bag
Batt, E3 AA	12	MD Floor	BAG D (Stbd 2)
Batt, EMU		A/L Floor Bag	
Batt, LIDAR	2	MF57O	
Batt, Li-ION	6	A17	Core Camcorder Bag
Batt, Li-ION	2, 1 installed	MA73J	VOL 3B
Batt, Li-ION	10	MF71O	
Batt, NiMH	2	MA73J	VOL 3B
Batt, Silver Oxide, 1.5V	3	A17	Core Camcorder Bag
Binoculars	2	A17	DTV Camcorder Bag
Blanket, Thermal EVA Camera		MD Ceiling	BAG G (Stbd 1)
Bottle, Air Sample	2	MF28H	
BPSMU		MF57O	
Bracket, Base Multiuse		MA16J	Photo TV Stow-N-Go CTB
01/26/09		FS 2-4	REF/119/FIN

<u>ITEM</u>	<u>QTY</u>	<u>LOCATION</u>	<u>NOTES</u>
B (Cont)			
Bracket, Clamp Multiuse	3	MA16J	Photo TV Stow-N-Go CTB
Bracket, HUD		A17	DTV Camcorder Bag, Mini-Cam (HUD Entry) Camera
Bracket, Lockline Flex		A17	Core Camcorder Bag
Bracket, Lockline Flex	2	MA16J	Photo TV Stow-N-Go CTB
Bracket, Multiuse	2	A16	
Bracket, Multiuse	3	MA16J	Photo TV Stow-N-Go CTB
Braycote		MF71M	
Breaker Bar (Pallet Removal)		MF28H	
Breakout Box		MF28H	
Bulb Assy, Flood Light	4	MD Floor	BAG C (Stbd 1)
Bungee	2	A16	PILOT Hand Controller
Bungee, Adjustable	7	MF43H	
Bushing		MD Ceiling	BAG H (Stbd 2), RSK Rail 6
C			
Cable Assy, Shutter Release w/Extension		A16	Camera Bag
Cable, A31p Enhanced DC Pwr	2	ML60E	
Cable, A31p Pwr Supply		ML60E	
Cable, A31p Video Adapter		ML60E	
Cable, AC Pwr Cont Transfer, 15 ft		MA12B	Window Shade Bag, IFM CHCK Bag
Cable, AC W		MF43E	
Cable, AVIU Video		MA16J	Photo TV Stow-N-Go CTB
Cable, AVIU Video w/BNC Adapter		A17	DTV Camcorder Bag
Cable, BAL/UNBAL Transformer		MF57O	
Cable, Balanced Video	2	MA16J	Photo TV Stow-N-Go CTB
Cable, Biomed	2	MA16N	
01/26/09		FS 2-5	REF/119/FIN

<u>ITEM</u>	<u>QTY</u>	<u>LOCATION</u>	<u>NOTES</u>
C (Cont)			
Cable, BNC to BNC		MF57O	
Cable, BPSMU AVIU Patch		A17	DTV Camcorder Bag
Cable, BPSMU to CCU Adapter		MF57O	
Cable, CCTV 20' Cabin		ML60B	
Cable, CEVIS Control Panel		MD Ceiling	BAG F (Port 2), CHECS #2
Cable, Comm 14 ft		MF43H	Comm Kit
Cable, Comm 4 ft		MF43H	Comm Kit
Cable, DC Harness, 24 ft	2	MA12B	Window Shade Bag, IFM CHCK Bag
Cable, DC Pigtail Connector	2	MA12B	Window Shade Bag, IFM CHCK Bag
Cable, DC Pwr, 20 ft		MF43M	Vacuum Cleaner
Cable, Digital Camcorder Video/Pwr		A17	DTV Camcorder Bag
Cable, Digital CC Vid/Pwr, 15 ft		L10 Upper	
Cable, Digital CC Video Pwr	5	MA16J	Photo TV Stow-N-Go CTB
Cable, DTV IEEE 4-Pin to Female		L10 Upper	
Cable, DTV IEEE 4-Pin to Male		L10 Upper	
Cable, Fuel Cell PCMMU		ML60E	
Cable, GC/DMS Data		MD Ceiling	BAG F (Port 2), CHECS #2
Cable, IEEE 1394 4-Pin Firewire		A17	DTV Camcorder Bag
Cable, IFM Remote Control		MA12B	Window Shade Bag, IFM CHCK Bag
Cable, LIDAR Interface		MF57O	
Cable, MPC to DTV Mux, 3 ft		L10 Upper	
Cable, MPC to DTV Mux, 9 ft		L10 Upper	
Cable, OCA Spare		MA12B	Window Shade Bag, IFM CHCK Bag
Cable, OPP to LCS RJ45		ML60E	
Cable, Orbiter 1553 Data		ML60E	
Cable, Output Pwr 24 VDC		MD Ceiling	BAG F (Port 2), CHECS #2
Cable, Parallel Data		MF43E	
Cable, PCMCIA to WIB-Remote		A17	DTV Camcorder Bag
01/26/09		FS 2-6	REF/119/FIN

<u>ITEM</u>	<u>QTY</u>	<u>LOCATION</u>	<u>NOTES</u>
C (Cont)			
Cable, PD100 A/V Adapter		A17	DTV Camcorder Bag
Cable, PD100 A/V Adapter		MA16J	Photo TV Stow-N-Go CTB
Cable, PDIP RS-422, 24 ft		ML60E	
Cable, PGSC DC Pwr, 10 ft		A16	
Cable, PGSC DC Pwr, 6 ft		A16	
Cable, PGSC Pwr, 10 ft		ML60E	
Cable, PGSC Pwr, 25 ft		ML60E	
Cable, PGSC Pwr, 6 ft		MF57O	
Cable, PGSC Pwr, 6 ft		ML60E	
Cable, PILOT RS-232 Pwr/Data Y		A16	PILOT Hand Controller
Cable, PPOV Teac Wye		L10 Upper	
Cable, Pwr, AC, 20 ft		MF43E	
Cable, RCA-RCA	2	A17	DTV Camcorder Bag
Cable, RJ45, 16 ft	3	ML60E	
Cable, RJ45, 32 ft		ML60E	
Cable, RS-232 9-Pin		ML60B	
Cable, RS-232 Y		ML60E	
Cable, RS-422 Extension, 10 ft	2	ML60E	
Cable, RS-422 Y		ML60E	
Cable, SSV to PDIP/CIP		MF57O	
Cable, S-Video A31p		A17	DTV Camcorder Bag
Cable, TriPort PCMCIA	5	ML60E	
Cable, TV Controller CIP		ML60B	
Cable, TV Controller/CTVM		ML60B	
Cable, UOP/EXT Pwr Supply		MD Ceiling	BAG F (Port 2), CHECS #2
Cable, Video IN/OUT		A17	DTV Camcorder Bag
Cable, VIU LCD, 20 ft		A17	DTV Camcorder Bag, Mini-Cam (HUD Entry) Camera

01/26/09

FS 2-7

REF/119/FIN

<u>ITEM</u>	<u>QTY</u>	<u>LOCATION</u>	<u>NOTES</u>
C (Cont)			
Cable, VIU LCD, 20 ft		MA73J	VOL 3B
Cable, VIU/CM-CC Video, 15 ft		A17	DTV Camcorder Bag
Cable, VIU/CM-CC Video, 15 ft	4	MA16J	Photo TV Stow-N-Go CTB
Cable, VLHS to VTS I/F	2	ML60E	
Cable, VPU Patch		A17	DTV Camcorder Bag
Cable, WAP Pwr Supply, 10 ft		ML60E	
Cable, WAP Pwr, 10 ft		ML60E	
Camcorder, Canon HG1 w/Tape		A17	Core Camcorder Bag
Camcorder, PD100 w/Tape		MA73J	VOL 3B
Camera, D2XS w/Card		MF710	
Camera, DCS 760 w/Card		MA73J	VOL 3B
Camera, JEM E3		MD Floor	BAG D (Stbd 2)
Camera, Mini-Cam (HUD Entry)		A17	DTV Camcorder Bag
Camera, Mini-Cam (Window 3)		A17	DTV Camcorder Bag
Canister, ATCO		MD52M	LiOH VOL
Canister, LiOH	29	MD52M	LiOH VOL
Canister, WCS (Coffee Can)		MF43H	
Card, DCS 760	7	A16	Camera Bag
Card, PC 1553	2	ML60E	
Card, PCMCIA	4	ML60E	
Card, PCMCIA, 1 GB		MA73J	VOL 3B, DCS 760 Camera w/Card
Cartridge, Black	2	MF43E	Color Printer
Cartridge, Color	2	MF43E	Color Printer
Cartridge, Crack Gun	2	MA9G	
CCA		A/L Floor Bag	
CCA		MD Ceiling	BAG H (Stbd 2), ACES
CCA	2	MD Floor	BAG C (Stbd 1), EMU Hardware Bag
CCC	2	A/L Floor Bag	
01/26/09		FS 2-8	REF/119/FIN

<u>ITEM</u>	<u>QTY</u>	<u>LOCATION</u>	<u>NOTES</u>
C (Cont)			
CCC	2	MD Ceiling	BAG G (Stbd 1)
CD Case		MF28K	
Cell Experiment Dosimeter	2	MF71K	
Cell Experiment Large Fixation Cylinder	3	MF71E	DOME GENE Bag
Cell Experiment Large Fixation Stick	8	MF71E	DOME GENE Bag
Cell Experiment Large Fixation Washing Buffer Cassette	2	MF71E	DOME GENE Bag
Cell Experiment Large Waste Bag		MF71E	DOME GENE Bag
Cell Experiment Larger Prefixation Apparatus	2	MF71E	DOME GENE Bag
Cell Experiment Padles Dosimeter	2	MF71E	DOME GENE Bag
Cell Experiment Small Fixation Cylinder	3	MF71E	DOME GENE Bag
Cell Experiment Small Fixation Stick	8	MF71E	DOME GENE Bag
Cell Experiment Small Fixation Washing Buffer Cassette	3	MF71E	DOME GENE Bag
Cell Experiment Small Prefixation Apparatus		MF71E	DOME GENE Bag
Cell Experiment Small Waste Bag	2	MF71E	DOME GENE Bag
Cell Experiment Temp Logger	2	MF71K	
Cell Experiment Unit A	4	MF71K	
Cell Experiment Unit B		MF71K	
Centerline Camera, Backup		ML60M	
Centerline Camera, Prime		ML60B	
CEVIS Control Panel		MD Ceiling	BAG F (Port 2), CHECS #2
Chem Light, Green	27	MA9N	
Chem Light, Red	28	MA9N	
CIPAA Sack Assy	2	MA9D/F	
Clamp, Various Sizes	14	MA12B	Window Shade Bag, IFM CHCK Bag
Cleaning Solution		A16	Camera Bag
Cloth Wipes		MF71M	Docking Mechanism Accessory Kit
01/26/09		FS 2-9	REF/119/FIN

<u>ITEM</u>	<u>QTY</u>	<u>LOCATION</u>	<u>NOTES</u>
C (Cont)			
Clothing, 1st Day	7	WMC	
Clothing, CDR		MF43G	
Clothing, MS1		MF57G	
Clothing, MS2		MF43C	
Clothing, MS3		MF57C	
Clothing, MS4		MF71C	
Clothing, MS5 DN		MF43O	
Clothing, MS5 UP		MF43O	
Clothing, PLT		MF71G	
COAS		MF71O	
Coax Cable Torque Adapter	2	MA9D/F	
Compact Flash, Lexar Pro 8 GB	2	MD Floor	BAG D (Stbd 2)
Computer Desk, Inflight	2	A16	
Computer Desk, Inflight	2	MA16J	Photo TV Stow-N-Go CTB
Concentrator		ML60M	Ultrasonic Leak Detector
Container, Sharps		MA16N	
Converter, IVA 1394	2	A17	DTV Camcorder Bag
Coupler, TWINAX	2	A17	Core Camcorder Bag
Cover, HUD	2	MF43H	
Cover, Parachute	3	MF43H	
Crack Repair Gun	2	MD Ceiling	BAG G (Stbd 1)
Crack Repair Palette Assy	2	A/L Floor Bag	
Crew Care Pkg		MF71H	
Crew Pref		MF43K	
Crew Provisions	16	MD Floor	BAG A (Port)
Crew Provisions		MF71E	DOME GENE Bag
Crew Support		MF57M	
Cryo Gloves, Large		MF28K	
01/26/09		FS 2-10	REF/119/FIN

<u>ITEM</u>	<u>QTY</u>	<u>LOCATION</u>	<u>NOTES</u>
C (Cont)			
Cryo Gloves, Medium		MF28K	
CSA-CP Assy		MF71M	
CSA-CP Resupply	2	MD Floor	BAG A (Port), CSA-CP/Microbial Air Kits Bag
CTB, Photo TV Stow-N-Go		MA16J	
CUCD, Male	54	MD80R	VOL G
Cue Card		MD Ceiling	BAG H (Stbd 2), RSK Rail 6
CWC	2	MD Ceiling	BAG H (Stbd 2)
CWC	2	MD Floor	BAG D (Stbd 2)
CWC	2	MD80R	VOL G
CWC, Condensate Collection	2	MF71M	
CWC, Iodine	10	MD Floor	BAG D (Stbd 2)

D			
Digital Camera Mount, EVA		MD Ceiling	BAG G (Stbd 1)
Drink Bag, Insuit	18	MD Floor	BAG C (Stbd 1)
Dry Wipe		A16	Camera Bag
Dry Wipes, Multi-Purpose	40 pkg	MA4D	VOL B
Dry Wipes, Multi-Purpose	20 pkg	MA4J	VOL B
Dry Wipes, Multi-Purpose	29 pkg	WMC	
DTV DSR, Spare		MA9D/F	
DTV MUX Tool Pouch		MA9D/F	
DTV MUX, Spare		MA9D/F	
DTV VIP, Spare		MA9D/F	
DTV w/Tape		L10 Lower	
Duxseal		MF28H	

01/26/09

FS 2-11

REF/119/FIN

<u>ITEM</u>	<u>QTY</u>	<u>LOCATION</u>	<u>NOTES</u>
E			
ECOK		A/L Floor Bag	
ECOK	2	MD Ceiling	BAG G (Stbd 1)
ECOK		MD Floor	BAG C (Stbd 1)
Emittance Wash Applicator	2	MD Ceiling	BAG G (Stbd 1)
EMU – EV1 (see EVA C/L)		External A/L	STBD
EMU – EV2 (see EVA C/L)		External A/L	PORT
Entry Garments		MF43K	
EVA Wipes	5	MD Ceiling	BAG G (Stbd 1)
Expansion Assembly, OCA		ML60E	
Expansion Assembly, PCMMU	2	ML60E	
Extension Probe		MA9D/F	
Extension, 4 in		MF28H	
F			
FDF		C4A	
FDF		C4F	
FDF		MF57E	
FDF		MF57H	
FDF		R3A	
FDF		R3F	
Feeler Gauge	4	ML60B	
Fiberscope Light Source		MA9N	
Fiberscope, Video		MA9N	
Filter, EMU 3 Micron	4	MD Floor	BAG C (Stbd 1)
Filter, EMU Ion	2	MD Floor	BAG C (Stbd 1)
Filter, Microbe (Spare)		MA9J	
Filter, NI-CR		MF71O	COAS
01/26/09		FS 2-12	REF/119/FIN

<u>ITEM</u>	<u>QTY</u>	<u>LOCATION</u>	<u>NOTES</u>
F (Cont)			
Filter, OBF		MD80R	VOL G
Filter, Polarizing Modified		A16	Camera Bag
Filter, Wand Extender Assy		MA12B	Window Shade Bag, Water Equipment Assy
Filter, Waste Water Dump		MF28H	
Flash	2	A16	Camera Bag
Flash		MA73J	VOL 3B
Flash Assy w/Batt	2	A16	Camera Bag
Flow Shut Off Valve	2	MD Ceiling	BAG G (Stbd 1)
Food, CDR Meals 1C-8B		MF14H	
Food, CDR Meals 8C-15B		MF14H	
Food, Fresh		MF14E	
Food, Fresh		MF14G	
Food, MS1 Meals 1C-8B		MF14M	
Food, MS1 Meals 8C-15B		MF14M	
Food, MS2 Meals 13A-15B		MF28K	
Food, MS2 Meals 1C-7B		MF14O	
Food, MS2 Meals 7C-12C		MF14O	
Food, MS3 Meals 1C-8B		MF28M	
Food, MS3 Meals 8C-15B		MF28M	
Food, MS4 Meals 10A-15B		MF28O	
Food, MS4 Meals 1C-6C		MF28O	
Food, MS4 Meals 7A-9C		MF28K	
Food, MS5 DN Meals 12A-15B		MF14G	
Food, MS5 UP Meals 1C-4B		MF14G	
Food, Pantry		MF57A	VOL A
Food, PLT Meals 1C-8B		MF14K	
Food, PLT Meals 8C-15B		MF14K	

01/26/09

FS 2-13

REF/119/FIN

<u>ITEM</u>	<u>QTY</u>	<u>LOCATION</u>	<u>NOTES</u>
G			
Galley Needle (Spare)		MA12B	Window Shade Bag, Water Equipment Assy
GAP Assy	8	MF71K	
GC/DMS Microanalyzer	2	MD Ceiling	BAG F (Port 2), CHECS #2
GC/DMS Pwr Supply Assy		MD Ceiling	BAG F (Port 2), CHECS #2
Gimbal	2	MD Floor	BAG C (Stbd 1), MWS
GLACIER		MA16F/G	
GLACIER Closeout Cover		MF28K	
GLACIER HNDL		MF28K	
Glove, JAXA PL Large		MF71E	DOME GENE Bag
Gloves	1 pkg	MA4J	VOL B
Gloves		MD Ceiling	BAG H (Stbd 2), ACES
Gloves	1 pkg	MD80R	VOL G
Gloves	2 pkg	WMC	
Gloves, Clean Room		MA12B	Window Shade Bag, IFM CHCK Bag
Gloves, Nitrile	40	MD52M	LiOH VOL
Gloves, Phase VI	2 pr	A/L Floor Bag	
Gloves, Phase VI	4	MD Floor	BAG C (Stbd 1), EMU Hardware Bag
Gloves, Shoulder length	1 pkg	MA4J	VOL B
Grab Sampler	3	MD Floor	BAG A (Port), CHECS #1 Bag
G-Suit		MD Ceiling	BAG H (Stbd 2), ACES
G-Suit	6	MD52M	LiOH VOL
H			
Hand Crank System On/Off Remote Control Assy		MF71K	
Hard Drive, 60 GB		ML60E	
Harness, Centerline Backup		ML60M	
01/26/09		FS 2-14	REF/119/FIN

<u>ITEM</u>	<u>QTY</u>	<u>LOCATION</u>	<u>NOTES</u>
H (Cont)			
Harness, Centerline Camera		ML60B	
Harness, Treadmill	5	MD Floor	BAG A (Port), CHECS #1 Bag
Headphones		A17	Core Camcorder Bag
Headrest, RSK		MD Ceiling	BAG H (Stbd 2), RSK Rail 6
Headset		ML60M	Ultrasonic Leak Detector
HOBO Data Logger	3	MA9G	
Hose, 1/4 in (6 ft)		MA12B	Window Shade Bag, IFM CHCK Bag
Hose, 3/8 in (6 ft)		MA12B	Window Shade Bag, IFM CHCK Bag
Hose, ACTEX		MA9J	
Hose, Cont Blue/Blue		MA12B	Window Shade Bag, IFM CHCK Bag
Hose, Cont Red/Red		MA12B	Window Shade Bag, IFM CHCK Bag
Hose, Cont Yellow/Yellow		MA12B	Window Shade Bag, IFM CHCK Bag
Hose, CWC Contingency		MA12B	Window Shade Bag, IFM CHCK Bag
Hose, Filter Hose Assy		MA9J	
Hose, O2 Contingency		MA12B	Window Shade Bag, IFM CHCK Bag
Hose, Personal Hygiene		MF43H	
Hose, SUPA	15	MF71M	
Hose, SUPA		WMC	
Hose, Water Supply		MA9J	
Hose, WCS Canister		MF43H	
Hose, Y-Y 8 ft Condensate		MF71M	
I			
Icepac Assy	10	MA9G	
ICU Bracket	2	MD Ceiling	BAG H (Stbd 2), RSK Rail 6
ICU Strap		MD Ceiling	BAG H (Stbd 2), RSK Rail 6
IELK		MD Floor	BAG B (Port)
01/26/09		FS 2-15	REF/119/FIN

<u>ITEM</u>	<u>QTY</u>	<u>LOCATION</u>	<u>NOTES</u>
I (Cont)			
IFM Fastener Retainer Cushion		MF28H	
IFM Tools		MF28G	
INBOARD – See EVA C/L		MD23R	VOL H
ISS Reserve		MA16D	
K			
Key Strap		MD Floor	BAG C (Stbd 1), MWS
Kit, Ammonia Detection		MA9L	
Kit, Blood Collection	2	MA9L	
Kit, Blood Collection		MD Floor	BAG A (Port)
Kit, CEVIS Resupply		MD Floor	BAG A (Port), CHECS #1 Bag
Kit, Comm		MF43H	
Kit, Contaminant Cleanup		MA9N	
Kit, Coolant Quality Monitoring		MD Floor	BAG D (Stbd 2)
Kit, Docking Mechanism Accessory		MF71M	
Kit, Dosimeter		MA16N	
Kit, DTV MUX Fuse (5-5A, 3-2A)		A17	DTV Camcorder Bag
Kit, Electrode		MA16N	
Kit, Fluid Loading	2	MA9N	
Kit, Foam Applicator	2	MF28H	
Kit, HRM Component	2	MA9L	
Kit, ISS Medical Accessory	2	MD Ceiling	BAG F (Port 2), CHECS #2
Kit, ISS Photo TV Resupply		MF71H	
Kit, Medical Accessory		MA16N	
Kit, Mineral Syringe		MD Floor	BAG D (Stbd 2)
Kit, Operational Bioinstrumentation System		MA16N	
Kit, Personal Hygiene (PHK)	6	MA9N	
01/26/09		FS 2-16	REF/119/FIN

<u>ITEM</u>	<u>QTY</u>	<u>LOCATION</u>	<u>NOTES</u>
K (Cont)			
Kit, RMS D&C IFM		MF28H	
Kit, Saliva Collection		MA9L	
Kit, Sample/Purge		MD Floor	BAG D (Stbd 2)
Kit, Screen		MD Floor	BAG D (Stbd 2)
Kit, SEE		MF43H	
Kit, Silver Biocide Syringe		MD Floor	BAG D (Stbd 2)
Kit, SSV Fuse		MF57O	

L			
Laptop, A31p		ML60E	
LCG Pants		MD Ceiling	BAG H (Stbd 2), ACES
LCVG	3	A/L Floor Bag	
LCVG	3	MD Floor	BAG C (Stbd 1)
Leg Assy	2	MD Floor	BAG C (Stbd 1), EMU Hardware Bag
Leg Sizing Ring, 1.5" pr/Protective Pouch		MD Floor	BAG C (Stbd 1), EMU Hardware Bag
Lens Cap	3	A16	Camera Bag
Lens, 10.5mm		A16	Camera Bag
Lens, 12mm		A17	DTV Camcorder Bag, Mini-Cam (HUD Entry) Camera
Lens, 12mm		A17	DTV Camcorder Bag, Mini-Cam (Window 3) Camera
Lens, 17-35mm		A16	Camera Bag
Lens, 28-70mm		A16	Camera Bag
Lens, 28-70mm		MA73J	VOL 3B
Lens, 28mm		A16	Camera Bag
Lens, 400mm		MA73J	VOL 3B

01/26/09

FS 2-17

REF/119/FIN

<u>ITEM</u>	<u>QTY</u>	<u>LOCATION</u>	<u>NOTES</u>
L (Cont)			
Lens, 6mm		A17	DTV Camcorder Bag, Mini-Cam (Window 3) Camera
Lens, 80-200mm		A16	Camera Bag
Lens, 8mm Fisheye		A17	DTV Camcorder Bag
Lens, PD100 Wide Conversion		MA16J	Photo TV Stow-N-Go CTB
Lens, Wide Angle		A17	Core Camcorder Bag
LIDAR		MF57O	
LIDAR w/Nightscope		MF57O	
Light Shade	2	MF71O	
LiOH w/Cover	8	MD Ceiling	BAG H (Stbd 2)
Logbook, Sleep	2	MA9L	
Lotus Body		MD Floor	BAG D (Stbd 2)
Lubricant		MF28H	
LWR Arm	4	MD Floor	BAG C (Stbd 1)
LWR Arm Wrist Disconnect Protective Cover	2	A/L Floor Bag	
LWR Arm Wrist Disconnect Protective Cover	4	MD Floor	BAG C (Stbd 1)
LWR Arm Wrist Disconnect Protective Cover	4	MD Floor	BAG C (Stbd 1), EMU Hardware Bag
LWR Arm, Boot, LWR Leg FAR, Protective Pouch	4	MD Floor	BAG C (Stbd 1)
LWR Arm, Boot, LWR Leg FAR, Protective Pouch	2	MD Floor	BAG C (Stbd 1), EMU Hardware Bag
M			
Mask, Surgical Filter	30	MD52M	LiOH VOL
Microbial Air Sampler		MD Floor	BAG A (Port), CSA-CP/Microbial Air Kits Bag
Microbial Check Valve		MA9J	
Microphone w/Batt		A17	Core Camcorder Bag
01/26/09		FS 2-18	REF/119/FIN

<u>ITEM</u>	<u>QTY</u>	<u>LOCATION</u>	<u>NOTES</u>
M (Cont)			
Microphone, Handheld	3	MF43H	Comm Kit
Mirror, EMU Band	2	A/L Floor Bag	
Mirror, Personal Hygiene	2	MF43H	
Mod Kit, Protective Sleeve Connector Assy	2	A/L Floor Bag	
Monitor, LCD w/Batts		MA73J	VOL 3B
MPC		L10 Upper	
Multiplexer		MD Ceiling	BAG G (Stbd 1)
MWS		MD Floor	BAG C (Stbd 1)
MWS Swingarm RH		MD Ceiling	BAG G (Stbd 1)
MWS Tool Stowage Caddy		MD Ceiling	BAG G (Stbd 1)
O			
O2 Bleed Orifice		MF43H	PIP Pin Assy
OCA Board		ML60E	
OCAC		MA73J	VOL 3B
OFK/PPK		MD76C	VOL E
OIU		L11	
Orbit Installed GAP Spanner	6	A/L Floor Bag	
O-Ring, Bore Seal	2	MF71M	
O-Ring, Face Seal	2	MF71M	
OUTBOARD – See EVA C/L		MD23R	VOL H
P			
Packet Assy, Micro Sample	10	MD Floor	BAG D (Stbd 2)
Panel Cover, A8, Fastener	6	MA12B	Window Shade Bag
01/26/09		FS 2-19	REF/119/FIN

<u>ITEM</u>	<u>QTY</u>	<u>LOCATION</u>	<u>NOTES</u>
P (Cont)			
Panel Cover, A8, Lower		MA12B	Window Shade Bag
Panel Cover, A8, Upper		MA12B	Window Shade Bag
Panel Cover, R2, Elastic Tie Down		MA12B	Window Shade Bag
Panel Cover, R2, Snap Tie	2	MA12B	Window Shade Bag
Panel Cover, R2, Standoff	5	MA12B	Window Shade Bag
Panel Cover, R2, Stiffener	2	MA12B	Window Shade Bag
Paper	2	MF43E	Color Printer
PATAL		MD Floor	BAG D (Stbd 2)
PCDF-PU		MF28E	
PDIP 1		L12	
PDIP 2		L11	
PEEL Layer Assy	4	MD Ceiling	BAG G (Stbd 1)
PGSC, STS-1 – OCA Router		ML60E	
PGSC, STS-2 – Windecom		ML60E	
PGSC, STS-3 – KFX		ML60E	
PGSC, STS-4 – RPOP		ML60E	
PGSC, STS-5 – RPOP2		ML60E	
PGSC, STS-6 – WLES		ML60E	
PHK, Community		MA9N	
Photo Floodlight		MF710	
PILOT Hand Controller		A16	
PIP Pin	12	MF43H	PIP Pin Assy
PIP Pin Assy		MF43H	
PIP Pin, Egress Pole/Spare		MF43H	PIP Pin Assy
Plug Attach Bolt	4	MA16L	
Plug Attach Bolt, Bottom Body Halve	4	MA16L	
Plug Attach Bolt, Top Body Halve	4	MA16L	
Plug Tethers	3	MA16L	
01/26/09		FS 2-20	REF/119/FIN

<u>ITEM</u>	<u>QTY</u>	<u>LOCATION</u>	<u>NOTES</u>
P (Cont)			
Prefilter, Conical	20	MA4J	VOL B
Prefilter, Conical	20	WMC	
Printer, Color		MF43E	
Probe, Extension	3	ML60M	Ultrasonic Leak Detector
Protective Cover Wireway	3	MA12B	Window Shade Bag
Pry Bar, Window 8		A17	
Pull-Ups	24	MD80R	VOL G
Pwr Supply, DC		A16	
Pwr Supply, DC	2	ML60E	
Pwr Supply, DC 28V	8	ML60E	
Pwr Supply, MPC		L10 Upper	
Q			
Quick Don Mask	4	A17	
Quick Don Mask	3	MA73J	VOL 3B
R			
RCC Plug Cover Plate	18	MA16L	
RCC Scraper 2 in	4	MD Ceiling	BAG G (Stbd 1)
RCC Scraper 5 in	2	MD Ceiling	BAG G (Stbd 1)
Receiver		ML60M	Ultrasonic Leak Detector
Recorder, V10 w/Tape	4	MA16J	Photo TV Stow-N-Go CTB
Recycle Filter Tank Assy		MD Floor	BAG D (Stbd 2)
Relay	3	ML60E	
Remote Control, JEM E3		MD Floor	BAG D (Stbd 2)
01/26/09	FS 2-21		REF/119/FIN

<u>ITEM</u>	<u>QTY</u>	<u>LOCATION</u>	<u>NOTES</u>
R (Cont)			
Remote, DTV	2	MA16J	Photo TV Stow-N-Go CTB
Restraint	4	MA16N	
Restraint, Foot Loop (Spare)	6	MA9N	
Restraint, Seat (Spare)	2	MA9N	
Resuscitator		MA9L	
Roller Replacement	2	MD Floor	BAG A (Port), CSA-CP/Microbial Air Kits Bag
RSK Rail 6		MD Ceiling	BAG H (Stbd 2)
Ruler, Protuberance Gauge		MD Ceiling	BAG G (Stbd 1)
S			
SAFER Hand Controller Module Hardmount		MD Ceiling	BAG G (Stbd 1)
Saline	2	MA16N	
Saliva Collection		MD Floor	BAG A (Port), CSA-CP/Microbial Air Kits Bag
Sampling Pump		MF71M	CSA-CP Assy
Sampling Pump Filter		MF71M	CSA-CP Assy
Scraper Tool		WMC	
Screws	20	ML60B	
Separator, Water/Gas	2	MA12B	Window Shade Bag, Water Equipment Assy
Shade, CCTV Monitor	2	MA12B	Window Shade Bag
Shoes, Athletic		MD Floor	BAG B (Port)
Shoes, Cycling		MD Floor	BAG B (Port)
Signal Conditioner		MD Floor	BAG C (Stbd 1)
SODF		MF57H	
SODF		MF57K	
SPAS/OPP/OBSS		R12	
Spot Beam Reflector	4	MD Floor	BAG C (Stbd 1)
Spotlight		MA73J	VOL 3B
01/26/09		FS 2-22	REF/119/FIN

<u>ITEM</u>	<u>QTY</u>	<u>LOCATION</u>	<u>NOTES</u>
S (Cont)			
SSP-1/SSP-2		L12	
SSV Compression Encoder		MF57O	
Subpack, Airway		MA16N	
Subpack, Drug		MA16N	
Subpack, EENT		MA16N	
Subpack, IV Administration		MA16N	
Subpack, Saline Supply		MA16N	
Subpack, Trauma		MA16N	
Supply Water Dump Line Purge Assy		MA12B	Window Shade Bag, Water Equipment Assy
Switch Guard		MF43H	
T			
Tape, Digital Video	19	A17	Core Camcorder Bag
Tape, Digital Video	171	L10 Upper	
Tape, Digital Video	25	MA16J	
Tape, Gray, 1 in		MF43H	
Tape, Gray, 2 in		MF43H	
Tape, Sony Video	14	L10 Upper	
T-Bar	4	MA16L	
Temperature Data Logger		MF71E	DOME GENE Bag
Template Mount Insulator	2	MD Ceiling	BAG G (Stbd 1)
Tether Extension	2	MD Ceiling	BAG G (Stbd 1)
Tether, Adjustable Equipment	2	A/L Floor Bag	
Tether, Adjustable Equipment w/Slide Lock	6	MD Ceiling	BAG G (Stbd 1)
Tether, Body Restraint		MD Ceiling	BAG G (Stbd 1)
Tether, EVA Camera		MD Ceiling	BAG G (Stbd 1)
Tether, Retractable Equipment	11	MD Ceiling	BAG G (Stbd 1)
01/26/09		FS 2-23	REF/119/FIN

<u>ITEM</u>	<u>QTY</u>	<u>LOCATION</u>	<u>NOTES</u>
T (Cont)			
Tether, Safety, 85 ft	2	MD Floor	BAG C (Stbd 1)
Tether, Waist w/Slide Lock	4	MD Ceiling	BAG G (Stbd 1)
Thermal Blanket, EVA		A16	Camera Bag
Thermal Sensor, EVA		MD Ceiling	BAG G (Stbd 1)
Thigh Brief, Upper Leg FAR Protective Pouch	2	MD Floor	BAG C (Stbd 1), EMU Hardware Bag
Thigh Sizing Ring, 0.5" pr/Protective Pouch	2	MD Floor	BAG C (Stbd 1), EMU Hardware Bag
Tie Wrap	10	A16	PILOT Hand Controller
Tie Wrap, 14 in		A17	DTV Camcorder Bag, Mini-Cam (HUD Entry) Camera
Tool, Cabin Fan Filter		MF43M	Vacuum Cleaner
Tool, Crevice		MF43M	Vacuum Cleaner
Tool, DDU Filter/Flex Modular		MF43M	Vacuum Cleaner
Tool, Flex Hose/Suction Hoses		MF43M	Vacuum Cleaner
Tool, Hose Adapter		MF43M	Vacuum Cleaner
Torque Limiting Drive		MD Floor	BAG C (Stbd 1)
Torque Wrench	2	MD Floor	BAG C (Stbd 1)
Torque Wrench, Dial		MD Floor	BAG A (Port), CHECS #1 Bag
Towel		MF71M	
Towels	13	MA4J	VOL B
Towels	36	WMC	
T-RAD		MA9D/F	
Transmitter		ML60M	Ultrasonic Leak Detector
Trash Bag, Aux Wet		WMC	
Trash Bag, Coffee Can	8 pkg	MA4D	VOL B
Trash Bag, Coffee Can	5 pkg	MA4J	VOL B
Trash Bag, Coffee Can	10 pkg	WMC	
Trash Bag, EVA Large		MD Ceiling	BAG G (Stbd 1)
Trash Bag, Wet		MD76M	VOL F
01/26/09		FS 2-24	REF/119/FIN

<u>ITEM</u>	<u>QTY</u>	<u>LOCATION</u>	<u>NOTES</u>
T (Cont)			
Trash Bag, WMC (Spare)		MA9N	
Tray, Color Printer	2	MA9J	
Turnbuckle	3	MF28H	
TV Controller Unit		ML60B	
U			
UIA Biocide Filter	2	MD Floor	BAG C (Stbd 1)
Ultraport Camera Assy	2	ML60E	
Ultrasonic Leak Detector		ML60M	
Universal Repair Plug		MA16L	
UPA Distillation Assy ORU		MD Ceiling	BAG E (Port 1)
Urinal Funnel, Female Oblong		WMC	
Urinal Funnel, Female Round		WMC	
Urinal Funnel, Male	7	WMC	
Utensils, Eating		MF57A	VOL A, Pantry Food
V			
Vacuum Cleaner		MF43M	
Viewfinder, EVA		A16	Camera Bag
VLHS	2	MF43H	Comm Kit
VPU		R12	
VPU Plug, Green		L10 Upper	
VTR, Sony DSR-25		MA9D/F	

01/26/09

FS 2-25

REF/119/FIN

<u>ITEM</u>	<u>QTY</u>	<u>LOCATION</u>	<u>NOTES</u>
W			
Washcloth		MF43E	Color Printer
Washcloths	56	MA4D	VOL B
Washcloths	28	MA4J	VOL B
Washcloths	32	WMC	
Washer	6	ML60B	
Water Dispenser, Contingency		MA12B	Window Shade Bag, Water Equipment Assy
Water Equipment Assy		MA12B	Window Shade Bag
WCS Tool		WMC	
Wet Washes	24 pkg	MA4D	VOL B
Wet Washes	16 pkg	MA4J	VOL B
Wet Washes	6 pkg	WMC	
Window Shade, Ovhd	2	MA12B	Window Shade Bag
Window Shield, Ovhd	2	MA12B	Window Shade Bag
Wipes, Disinfectant	3 pkg	MA4D	VOL B
Wipes, Disinfectant	11 pkg	MA4J	VOL B
Wipes, Disinfectant	1 pkg	MF43H	
Wipes, Disinfectant		ML60B	
Wipes, Disinfectant	3 pkg	WMC	
Wire Tie, Short	20	MD Floor	BAG C (Stbd 1)
Wireless RF Network Card	8	ML60E	
WLE Receiver	2	ML60E	
Wrench, RCC Leading Edge		MA9D/F	
Writable CD, PCS		ML60E	

01/26/09

FS 2-26

REF/119/FIN



<u>ITEM</u>	<u>QTY</u>	<u>LOCATION</u>	<u>NOTES</u>
Z			
Zero Filter Assy		MF71M	CSA-CP Assy
Ziplock Bag, 12 x 12	8	MF43H	
Ziplock Bag, 13 x 18	8	MD80R	VOL G
Ziplock Bag, 8 x 8	12	MF43H	
Ziplock, 13 x 18	15	A17	DTV Camcorder Bag

01/26/09

FS 2-27

REF/119/FIN





This Page Intentionally Blank



FS 2-28

REF/119/FIN



FDF DOCUMENTATION STOWAGE

LAUNCH CONFIG – LOCKER..... FS 3-2
– ALPHABETICAL..... FS 3-3

FDF

FDF

**LAUNCH CONFIG – LOCKER
(EXCLUDES “CARRY-ON” ITEMS)**

R3A

Data Card Kit
ASC Data Cards
DEORB and ENT Data
Cards
ORBIT Data Cards

R3F

ENT
ENT PKT
ORB PKT
POST INSERTION
SYS AOA

C4A

FDF Accessory Kit 1
ORB PKT
Star Chart

C4F

ENT
ENT PKT
POST INSERTION
SYS AOA

MF57H – ½ LOCKER

CD, EVA Procedures (2)
CD-ROM Disk Set
CD, Crew Systems
Reference
CD, ISS Ext Images
CD, Landing Sites
CD, Payload Bay Closeout
Photos
CD, PILOT (2)
CD, STS-119 FDF Books
CD, TV Controller (CTVC)
DVD, OCA Router Reload
DVD, PGSC Reload
DAP Covers (2)
Disk Sleeve Unit
Disk Stowage Bags (2)
(Ziplock w/Velcro)
Disk, Blank Formatted (2)
PCMCIA Hard Disk – Late
Updates (2)
Thumbdrive (7)
EVA (2)
EVA Cue Card Kit
EVA Cuff Kit
EVA Cuff C/L (2)
FDF Accessory Kit 2

MF57H – ½ LOCKER

(Cont)
Hard Drive – OCA Router
Load
Hard Drive – Windows XP
IFM
MAL (Vols I and II)
MED
Message Folder

MF57E – FULL LOCKER

CONT DEORB
DEORBIT PREP (4)
Flight Deck Stowage Bag 1
Book Clip, Gold (6)
Clamp, Book (3)
CONT DEORB (2)
ORB OPS (2)
PHOTO TV
Flight Deck Stowage Bag 2
Book Clip, Gold (6)
Clamp, Book (3)
FLIGHT PLAN
PDRS Cue Card Kit
PDRS Overlay Kit
PDRS OPS
REF

MF57E – FULL LOCKER

(Cont)
MAPS
Middeck Cue Card Kit
ORB OPS
Overlay Kit
PDRS OPS
PHOTO TV
PHOTO TV Cue Card Kit
RNDZ (3)
RNDZ Cue Card Kit
RNDZ Overlay Kit

LAUNCH CONFIG – ALPHABETICAL

<u>ITEM NAME</u>	<u>QTY</u>	<u>STOWAGE LOCATION</u>		
A31P PGSC Camera A/D Range Ruler	1	MF57E	RNDZ Cue Card Kit	RNDZ Overlay Kit
A31P PGSC Display of C/L Camera Corridor and Alignment	1	MF57E	RNDZ Cue Card Kit	RNDZ Overlay Kit
ADI Error/Rate Switch (ASC) ADI Error/Rate Switch (ENT)	1	CARRY-ON	CDR	Ascent Cards
ADI Error/Rate Switch (ASC) ADI Error/Rate Switch (ENT)	1	CARRY-ON	PLT	Ascent Cards
AFT Flight Deck Reconfiguration	1	CARRY-ON	MS2	
Airway (ILMA)	1	FDF Flown in other locations	MED SOMS Kit	
Analog Playback	1	MF57E	Photo TV Cue Card Kit	
AOA Deorbit Burn (2 Eng) AOA Deorbit Burn (1 Eng)	2	R3A	Data Card Kit	Ascent Data Cards
AOA Deorbit Burn (RCS)	2	R3A	Data Card Kit	Ascent Data Cards
Approach VBAR Approach	3	MF57E	RNDZ Cue Card Kit	
ASC C/L	1	CARRY-ON	CDR	
ASC C/L	1	CARRY-ON	PLT	
ASC C/L	1	CARRY-ON	MS1	
ASC C/L	1	CARRY-ON	MS2	
ASC PKT C/L	1	CARRY-ON	CDR	

01/21/09

FS 3-3

REF/119/FIN

LAUNCH CONFIG – ALPHABETICAL (Cont)

<u>ITEM NAME</u>	<u>QTY</u>	<u>STOWAGE LOCATION</u>		
ASC PKT C/L	1	CARRY-ON	PLT	
ASC PKT C/L	1	CARRY-ON	MS1	
ASC PKT C/L	1	CARRY-ON	MS2	
Ascent ADI – Nominal Entry Alpha – KSC 15	1	CARRY-ON	CDR	Ascent Cards
Ascent ADI – Nominal Entry Alpha – KSC 15	1	CARRY-ON	PLT	Ascent Cards
Ascent Flip Book	1	CARRY-ON	CDR	
Ascent Flip Book	1	CARRY-ON	PLT	
Ascent Flip Book Support	1	CARRY-ON	CDR	
Ascent Flip Book Support	1	CARRY-ON	PLT	
Ascent/Abort Summary	1	CARRY-ON	CDR	Ascent Cards
Ascent/Abort Summary	1	CARRY-ON	PLT	Ascent Cards
Binder Clip, Black	6	MF57H	FDF Accessory Kit 2	
Binder Rings, Metal	3	MF57H	FDF Accessory Kit 2	
Binder Rings, Nylon	12	MF57H	FDF Accessory Kit 2	
Book Clip, Gold	2	MF57E	VW Bag 1	Pocket D
Book Clip, Gold	2	MF57E	VW Bag 1	Pocket E
Book Clip, Gold	2	MF57E	VW Bag 1	Pocket F
Book Clip, Gold	2	MF57E	VW Bag 2	Pocket D
Book Clip, Gold	2	MF57E	VW Bag 2	Pocket E

01/21/09

FS 3-4

REF/119/FIN

LAUNCH CONFIG – ALPHABETICAL (Cont)

<u>ITEM NAME</u>	<u>QTY</u>	<u>STOWAGE LOCATION</u>		
Book Clip, Gold	2	MF57E	VW Bag 2	Pocket F
Book Clip, Gold	4	MF57H	FDF Accessory Kit 2	
Book Clip, Gold	2	C4A	FDF Accessory Kit 1	
C/L Camera Corridor and Alignment	1	MF57E	RNDZ Cue Card Kit	RNDZ Overlay Kit
C/L Camera Target Alignment (+Vbar)	2	MF57E	RNDZ Cue Card Kit	
C/L Camera Zoom Calibration (Ring Ready For Dock)	1	MF57E	RNDZ Cue Card Kit	RNDZ Overlay Kit
Cable Ties w/tags	6	MF57H	FDF Accessory Kit 2	
Camera A/D Range Ruler	1	MF57E	RNDZ Cue Card Kit	RNDZ Overlay Kit
CD, Crew Systems Reference	1	MF57H	CD-ROM Disk Set	
CD, EVA Procedures	2	MF57H		
CD, ISS Ext Images	1	MF57H	CD-ROM Disk Set	
CD, Landing Site	1	MF57H	CD-ROM Disk Set	
CD, Payload Bay Closeout Photos	1	MF57H	CD-ROM Disk Set	
CD, PILOT	2	MF57H	CD-ROM Disk Set	
CD, STS-119 FDF Books	1	MF57H	CD-ROM Disk Set	
CD, TV Controller (CTVC)	1	MF57H	CD-ROM Disk Set	
CDR Window Flip Book	1	CARRY-ON	CDR	
CD-ROM Disk Set	1	MF57H	CD-ROM Disk Set	
Clamp, Book	3	MF57H	FDF Accessory Kit 2	
Clamp, Book	3	MF57E	VW Bag 1	Pocket B

01/21/09

FS 3-5

REF/119/FIN

LAUNCH CONFIG – ALPHABETICAL (Cont)

<u>ITEM NAME</u>	<u>QTY</u>	<u>STOWAGE LOCATION</u>		
Clamp, Book	3	MF57E	VW Bag 2	Pocket A
Consumables Tracking Cue Card Battery Recharge/Metox Regen Cue Card	1	MF57H	EVA Cue Card Kit	
Cont Abort RTLS Cont	1	CARRY-ON	CDR	Wedge
Cont Abort RTLS Cont	1	CARRY-ON	PLT	Wedge
Cont Abort RTLS Cont	1	CARRY-ON	MS1	
Cont Abort RTLS Cont	1	CARRY-ON	MS2	
CONT DEORB	1	MF57E	VW Bag 1	Pocket C
CONT DEORB	1	MF57E	VW Bag 1	Pocket C
CONT DEORB	1	MF57E		
Crew Notebook	1	CARRY-ON	CDR	
Crew Notebook	1	CARRY-ON	PLT	
Crew Notebook	1	CARRY-ON	MS1	
Crew Notebook	1	CARRY-ON	MS2	
Crew Notebook	1	CARRY-ON	MS3	
Crew Notebook	1	CARRY-ON	MS4	
Crew Notebook	1	CARRY-ON	MS5	

01/21/09

FS 3-6

REF/119/FIN

LAUNCH CONFIG – ALPHABETICAL (Cont)

<u>ITEM NAME</u>	<u>QTY</u>	<u>STOWAGE LOCATION</u>		
D/O Burn Flight Rules	1	R3A	Data Card Kit	D/O & Entry Data Cards/ CDR Pouch
D/O Burn Flight Rules	1	R3A	Data Card Kit	D/O & Entry Data Cards/ PLT Pouch
D/O Burn Monitor OMS Failures	1	R3A	Data Card Kit	D/O & Entry Data Cards/ CDR Pouch
D/O Burn Monitor OMS Failures	1	R3A	Data Card Kit	D/O & Entry Data Cards/ PLT Pouch
D/O Burn (2 Eng) D/O Burn (1 Eng)	1	R3A	Data Card Kit	D/O & Entry Data Cards/ CDR Pouch
D/O Burn (2 Eng) D/O Burn (1 Eng)	1	R3A	Data Card Kit	D/O & Entry Data Cards/ PLT Pouch
D/O Burn (RCS)	1	R3A	Data Card Kit	D/O & Entry Data Cards/ CDR Pouch
D/O Burn (RCS)	1	R3A	Data Card Kit	D/O & Entry Data Cards/ PLT Pouch
D2Xs Setup	1	MF57E	Photo TV Cue Card Kit	
DAP Covers	2	MF57H		
Data Card Kit	1	R3A	Data Card Kit	
DEORB PREP	1	MF57E		
DEORB PREP	1	MF57E		

01/21/09

FS 3-7

REF/119/FIN

LAUNCH CONFIG – ALPHABETICAL (Cont)

<u>ITEM NAME</u>	<u>QTY</u>	<u>STOWAGE LOCATION</u>		
DEORB PREP	1	MF57E		
DEORB PREP	1	MF57E		
Depress/Repress-Nom Failed Leak Check	1	MF57H	EVA Cue Card Kit	
Digital Playback	1	MF57E	Photo TV Cue Card Kit	
Disk Sleeve Unit	1	MF57H	Disk Sleeve Unit	
Disk Stowage Bags (Ziplock w/Velcro)	2	MF57H	Disk Sleeve Unit	
Disk, Blank Formatted	2	MF57H	Disk Sleeve Unit	
Docking Sequence	2	MF57E	RNDZ Cue Card Kit	
Drafting Dots	20	C4A	FDF Accessory Kit 1	
Drafting Dots	20	MF57H	FDF Accessory Kit 2	
Drafting Dots	20	MF57E	RNDZ Cue Card Kit	RNDZ Overlay Kit
Drafting Dots	20	MF57E	VW Bag 2	Pocket B/PDRS Cue Card Kit/PDRS Overlay Kit
DVD, OCA Router Reload	1	MF57H	CD-ROM Disk Set	
DVD, PGSC Reload	1	MF57H	CD-ROM Disk Set	
Egress cue card	1	CARRY-ON	Middeck	
Emergency Egress (Oversized)	1	CARRY-ON	Middeck	
Emergency Egress ACES Troubleshooting	1	CARRY-ON	Middeck	

01/21/09

FS 3-8

REF/119/FIN

LAUNCH CONFIG – ALPHABETICAL (Cont)

<u>ITEM NAME</u>	<u>QTY</u>	<u>STOWAGE LOCATION</u>		
Emergency Egress ACES Troubleshooting	1	CARRY-ON	MS1	
Emergency Egress ACES Troubleshooting	1	CARRY-ON	MS2	
Emergency Undocking EVA Transfer Expedited Suit Doffing Cue Card	1	MF57H	EVA Cue Card Kit	
ENT C/L	1	C4F		
ENT C/L	1	R3F		
ENT C/L	1	CARRY-ON	MS1	
ENT C/L	1	CARRY-ON	MS2	
ENT PKT C/L	1	C4F		
ENT PKT C/L	1	R3F		
ENT PKT C/L	1	CARRY-ON	MS1	
ENT PKT C/L	1	CARRY-ON	MS2	
Entry Control High Freq OSC or Surf/Jet Cyc	1	CARRY-ON	CDR	Wedge
Entry Control High Freq OSC or Surf/Jet Cyc	1	CARRY-ON	PLT	Wedge
Entry Maneuvers	1	CARRY-ON	CDR	Wedge
Entry Maneuvers	1	CARRY-ON	PLT	Wedge

01/21/09

FS 3-9

REF/119/FIN

LAUNCH CONFIG – ALPHABETICAL (Cont)

<u>ITEM NAME</u>	<u>QTY</u>	<u>STOWAGE LOCATION</u>		
Entry No-Go C/L Emergency Egress	2	R3A	Data Card Kit	D/O & Entry Data Cards
Eraser	1	C4A	FDF Accessory Kit 1	
Eraser	1	MF57H	FDF Accessory Kit 2	
Ergometer	1	FDF Flown in other locations	Shoe Bag	
Escape Panel Egress	1	CARRY-ON	MS2	
ET Photo	2	CARRY-ON	MS2	
ET Sep	1	CARRY-ON	PLT	Ascent Cards
EVA C/L	1	MF57H		
EVA C/L	1	MF57H		
EVA Cuff C/L	2	MF57H	EVA Cuff Kit	
EVA Cuff Kit	1	MF57H	EVA Cuff Kit	
FD3 Docking Orbiter w/ISS LiOH Changeout LiOH Canister Stowage Locations	1	CARRY-ON	Middeck	
Fire/Smoke (A/E) Fire/Smoke (Orbit) OV103,104	1	CARRY-ON	CDR	Ascent Cards
Flight SUB ANG Ruler	1	MF57E	RNDZ Cue Card Kit	RNDZ Overlay Kit
FLT PLN	1	MF57E	VW Bag 2	Pocket C
FLT PLN	1	MF57E		

01/21/09

FS 3-10

REF/119/FIN

LAUNCH CONFIG – ALPHABETICAL (Cont)

<u>ITEM NAME</u>	<u>QTY</u>	<u>STOWAGE LOCATION</u>		
FMI TAL Redesignation ECAL-ZZA or MRN or FMI Prime TAL	1	CARRY-ON	MS1	
FMI TAL Redesignation ECAL-ZZA or MRN or FMI Prime TAL	1	CARRY-ON	MS2	
Galley Iodine Removal Assembly (GIRA) Installation CWC (Contingency Water Container) Fill	1	CARRY-ON	Middeck	
Generic End Effector – Shuttle Not Docked Ops Generic End Effector – ISS/Shuttle Docked Ops	1	MF57E	VW Bag 2	Pocket B/PDRS Cue Card Kit
GPC/FCS Channel Config	1	CARRY-ON	PLT	Ascent Cards
GPC/MDM Failure Response During RNDZ RNDZ Ref Data	2	MF57E	RNDZ Cue Card Kit	
Grease Pencil, Black	1	C4A	FDF Accessory Kit 1	
Grease Pencil, Red	1	C4A	FDF Accessory Kit 1	
Gummed Reinforcements	4	C4A	FDF Accessory Kit 1	
Gummed Reinforcements	4	MF57H	FDF Accessory Kit 2	
Hard Drive, OCA Router Load	1	MF57H		
Hard Drive, Windows XP	1	MF57H		
Hazard Spill Response – Orbiter	1	MF57E	Middeck Cue Card Kit	
Highlighter, Narrow Tip, Blue	2	MF57H	FDF Accessory Kit 2	
Highlighter, Narrow Tip, Green	2	MF57H	FDF Accessory Kit 2	
Highlighter, Narrow Tip, Yellow	2	MF57H	FDF Accessory Kit 2	

01/21/09

FS 3-11

REF/119/FIN

LAUNCH CONFIG – ALPHABETICAL (Cont)

<u>ITEM NAME</u>	<u>QTY</u>	<u>STOWAGE LOCATION</u>		
IDC	1	MF57E	Photo TV Cue Card Kit	
IFM C/L	1	MF57H		
KU Antenna Overlay	1	MF57E	Overlay Kit	
KU OPS	1	R3A	Data Card Kit	Orbit Data Cards
LCS	1	MF57E	Photo TV Cue Card Kit	
LDRI/ITVC	1	MF57E	Photo TV Cue Card Kit	
LDRI/ITVC A7 PLACARD	1	MF57E	Photo TV Cue Card Kit	
Leaking OMS Prplt/He Burn	2	R3A	Data Card Kit	Orbit Data Cards
LOC/Breakup	1	CARRY-ON	CDR	
LOC/Breakup	1	CARRY-ON	PLT	
LOC/Breakup	1	CARRY-ON	MS1	
LOC/Breakup	1	CARRY-ON	MS2	
LOC/Breakup	3	CARRY-ON	Middeck	
MAL	1	MF57H		
MAPS	1	MF57E		
MAUI – RCS Firing Sequence	2	R3A	Data Card Kit	Orbit Data Cards
Mechanical Pencil	4	C4A	FDF Accessory Kit 1	
Mechanical Pencil	8	MF57H	FDF Accessory Kit 2	
MED	1	MF57H		
Media Allocations	1	MF57E	Photo TV Cue Card Kit	

01/21/09

FS 3-12

REF/119/FIN

LAUNCH CONFIG – ALPHABETICAL (Cont)

<u>ITEM NAME</u>	<u>QTY</u>	<u>STOWAGE LOCATION</u>		
Medication Data Log	1	FDF Flown in other locations	MED SOMS Kit	
Message Folder	1	MF57H		
Middeck Reconfiguration	1	CARRY-ON	Middeck	
MN C-DC Utility Power MO63P	1	MF57E	Middeck Cue Card Kit	
MPS 1	1	CARRY-ON	PLT	Ascent Cards
MPS 2	1	CARRY-ON	PLT	Ascent Cards
MPS 2	1	CARRY-ON	CDR	Ascent Cards
MPS He P (Pre MECO)/MPS PNEU TK (Reg) P	1	CARRY-ON	PLT	Ascent Cards
MRN TAL Redesignation ECAL-ZZA or MRN or FMI Prime TAL	1	CARRY-ON	MS1	
MRN TAL Redesignation ECAL-ZZA or MRN or FMI Prime TAL	1	CARRY-ON	MS2	
MS Middeck Activities	1	MF57E		
MS Middeck Backout Activities	1	MF57E		
OBSS LDRI/ITVC Grid Overlay	1	MF57E	VW Bag 2	Pocket B/PDRS Cue Card Kit/PDRS Overlay Kit
OBSS Scan Pattern Cue Card – STBD & Port OBSS Scan Pattern Cue Card – Nose Cap	1	MF57E	VW Bag 2	Pocket B/PDRS Cue Card Kit
OBSS Scan Pattern Cue Card – Wing Glove & Crew Cabin	1	MF57E	VW Bag 2	Pocket B/PDRS Cue Card Kit

01/21/09

FS 3-13

REF/119/FIN

LAUNCH CONFIG – ALPHABETICAL (Cont)

<u>ITEM NAME</u>	<u>QTY</u>	<u>STOWAGE LOCATION</u>		
OBSS SJ Grapple at Handoff Overlay	1	MF57E	VW Bag 2	Pocket B/PDRS Cue Card Kit/PDRS Overlay Kit
OBSS SJ Unggrapple at Handoff Overlay	1	MF57E	VW Bag 2	Pocket B/PDRS Cue Card Kit/PDRS Overlay Kit
ODS Volume Fire/Smoke	1	MF57E	Middeck Cue Card Kit	
OMS 2 Burn Monitor OMS Failures	1	CARRY-ON	CDR	Wedge
OMS 2 Burn Monitor OMS Failures	1	CARRY-ON	PLT	Wedge
OMS 2/Orbit OMS Burns OPS 1 RCS Burn	1	CARRY-ON	CDR	Wedge
OMS 2/Orbit OMS Burns OPS 1 RCS Burn	1	CARRY-ON	PLT	Wedge
OPS 1/6/TAL Transition Restrिंग Post OPS 3 GRTLS Transition Restrिंग	1	CARRY-ON	CDR	Ascent Cards
OPS 1/6/TAL Transition Restrिंग Post OPS 3 GRTLS Transition Restrिंग	1	CARRY-ON	MS2	
ORB OPS C/L	1	MF57E	VW Bag 1	Pocket A
ORB OPS C/L	1	MF57E	VW Bag 1	Pocket A
ORB OPS C/L	1	MF57E		
ORB PKT C/L	1	C4A		

01/21/09

FS 3-14

REF/119/FIN

LAUNCH CONFIG – ALPHABETICAL (Cont)

<u>ITEM NAME</u>	<u>QTY</u>	<u>STOWAGE LOCATION</u>		
ORB PKT C/L	1	R3F		
Orbit Burn Monitor OMS Failures	3	R3A	Data Card Kit	Orbit Data Cards
Orbit Spec (R11) Primary C/W Parameter Matrix	1	R3A	Data Card Kit	Orbit Data Cards
Panel R14 – OV103 Only	1	CARRY-ON	MS1	
PCMCIA Hard Disk – Late Updates	1	MF57H	Disk Sleeve Unit	
PCMCIA Hard Disk – Late Updates	1	MF57H	Disk Sleeve Unit	
PDRS OPS C/L	1	MF57E		
PDRS OPS C/L	1	MF57E	VW Bag 2	Pocket B
PDRS Target Overlay for CTVM	2	MF57E	VW Bag 2	Pocket B/PDRS Cue Card Kit/PDRS Overlay Kit
Photo Grid Overlay	1	MF57E	Overlay Kit	
PHOTO/TV C/L	1	MF57E	VW Bag 1	Pocket B
PHOTO/TV C/L	1	MF57E		
PLT Overhead Flip Book	1	CARRY-ON	PLT	
PLT Window Flip Book	1	CARRY-ON	PLT	
POST INSERTION	1	C4F		
POST INSERTION	1	R3F		
POST INSERTION	1	CARRY-ON	MS2	
POST INSERTION	1	CARRY-ON	MS4	

01/21/09

FS 3-15

REF/119/FIN

LAUNCH CONFIG – ALPHABETICAL (Cont)

<u>ITEM NAME</u>	<u>QTY</u>	<u>STOWAGE LOCATION</u>		
Post Insertion Deorbit Prep	1	C4F		
Post Insertion Deorbit Prep	1	CARRY-ON	Middeck	
Post-It Notes (1.5 x 2)	1	MF57H	FDF Accessory Kit 2	
Post-It Notes (3 x 3)	1	MF57H	FDF Accessory Kit 2	
Post-It Notes (3 x 5)	1	MF57H	FDF Accessory Kit 2	
Post-It Tape Tabs	6	MF57H	FDF Accessory Kit 2	
Power	1	CARRY-ON	PLT	Ascent Cards
RCS Burn (+X, -X, Multi-axis) Rendezvous Prplt Pad	2	MF57E	RNDZ Cue Card Kit	
RCS Failure Response During Prox Ops RCS/DPS/EPS Failure Impacts	2	MF57E	RNDZ Cue Card Kit	
Recumbent Seat Kit (RSK) Installation	1	FDF Flown in other locations		
REF	1	MF57E	VW Bag 2	Pocket A
Resuscitator	1	FDF Flown in other locations	MED SOMS Kit	
RNDZ	1	MF57E		
RNDZ	1	MF57E		
RNDZ	1	MF57E		
Rubber Band Kit	1	C4A	FDF Accessory Kit 1	

01/21/09

FS 3-16

REF/119/FIN

LAUNCH CONFIG – ALPHABETICAL (Cont)

<u>ITEM NAME</u>	<u>QTY</u>	<u>STOWAGE LOCATION</u>		
S6 SJ Grapple at Handoff – CCTV Overlay	1	MF57E	VW Bag 2	Pocket B/PDRS Cue Card Kit/PDRS Overlay Kit
SBDI Cue Card	1	CARRY-ON	Middeck	
Sharpie, Fine Point, Black	1	C4A	FDF Accessory Kit 1	
Sharpie, Fine Point, Black	1	MF57H	FDF Accessory Kit 2	
Sharpie, Fine Point, Blue	1	MF57H	FDF Accessory Kit 2	
Sharpie, Fine Point, Red	1	MF57H	FDF Accessory Kit 2	
Speed Brake Command	1	CARRY-ON	CDR	Ascent Cards
Speed Brake Command	1	CARRY-ON	PLT	Ascent Cards
Star Chart	1	C4A		
STS-119 Consumables	1	MF57E	Middeck Cue Card Kit	
STS-119 DAP Configuration	1	R3A	Data Card Kit	Orbit Data Cards
Switch Caps	10	C4A	FDF Accessory Kit 1	
Switch Caps	10	MF57H	FDF Accessory Kit 2	
SYS AOA	1	C4F		
SYS AOA	1	R3F		
SYS AOA	1	CARRY-ON	MS2	
Tape Dispenser w/Tape	1	MF57H	FDF Accessory Kit 2	
Tether-Short (12)"	16	MF57H	FDF Accessory Kit 2	
Thumbdrive	7	MF57H	Disk Sleeve Unit	
Transparent Tape	1	MF57H	FDF Accessory Kit 2	
TV	1	CARRY-ON	MS2	

01/21/09

FS 3-17

REF/119/FIN

LAUNCH CONFIG – ALPHABETICAL (Cont)

<u>ITEM NAME</u>	<u>QTY</u>	<u>STOWAGE LOCATION</u>		
Unbal Prop D/O Burn Unbal Prop D/O Burn (Mxd Xfd)	1	R3A	Data Card Kit	D/O & Entry Data Cards/ CDR Pouch
Unbal Prop D/O Burn Unbal Prop D/O Burn (Mxd Xfd)	1	R3A	Data Card Kit	D/O & Entry Data Cards/ PLT Pouch
Urine Collection Cont Waste Collection – UCD/Apollo Bag	1	CARRY-ON	Middeck	
Urine Pretreat Changeout Urine Pretreat Setup	1	CARRY-ON	Middeck	
V10 Monitor Corridor	1	MF57E	RNDZ Cue Card Kit	RNDZ Overlay Kit
Velcro, Hook (Yellow 2 x 2)	5	C4A	FDF Accessory Kit 1	
Velcro, Hook (Yellow 2 x 2)	15	MF57H	FDF Accessory Kit 2	
Velcro, Pile (Yellow 2 x 2)	5	C4A	FDF Accessory Kit 1	
Velcro, Pile (Yellow 2 x 2)	15	MF57H	FDF Accessory Kit 2	
Video cue cards	14	FDF Flown in other locations	Stow-N-Go Bag	
Video Setup	1	FDF Flown in other locations	Stow-N-Go Bag	
VW Bag 1	1	MF57E	VW Bag 1	
VW Bag 2	1	MF57E	VW Bag 2	

01/21/09

FS 3-18

REF/119/FIN

LAUNCH CONFIG – ALPHABETICAL (Cont)

<u>ITEM NAME</u>	<u>QTY</u>	<u>STOWAGE LOCATION</u>		
Wedge	1	CARRY-ON	CDR	Wedge
Wedge	1	CARRY-ON	PLT	Wedge
WLES Config After PGSC Reboot	2	FDF Flown in other locations		
WVS	1	MF57E	Photo TV Cue Card Kit	
Yellow Dots	1	C4A	FDF Accessory Kit 1	
Yellow Dots	1	MF57H	FDF Accessory Kit 2	
Yellow Tape	1	MF57H	FDF Accessory Kit 2	
ZZA TAL Redesignation ECAL-ZZA or MRN or FMI Prime TAL	1	CARRY-ON	MS1	
ZZA TAL Redesignation ECAL-ZZA or MRN or FMI Prime TAL	1	CARRY-ON	MS2	

01/21/09

FS 3-19

REF/119/FIN



This Page Intentionally Blank



FS 3-20

REF/119/FIN

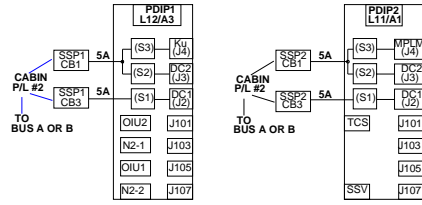


UTILITY OUTLET PLUG-IN PLAN

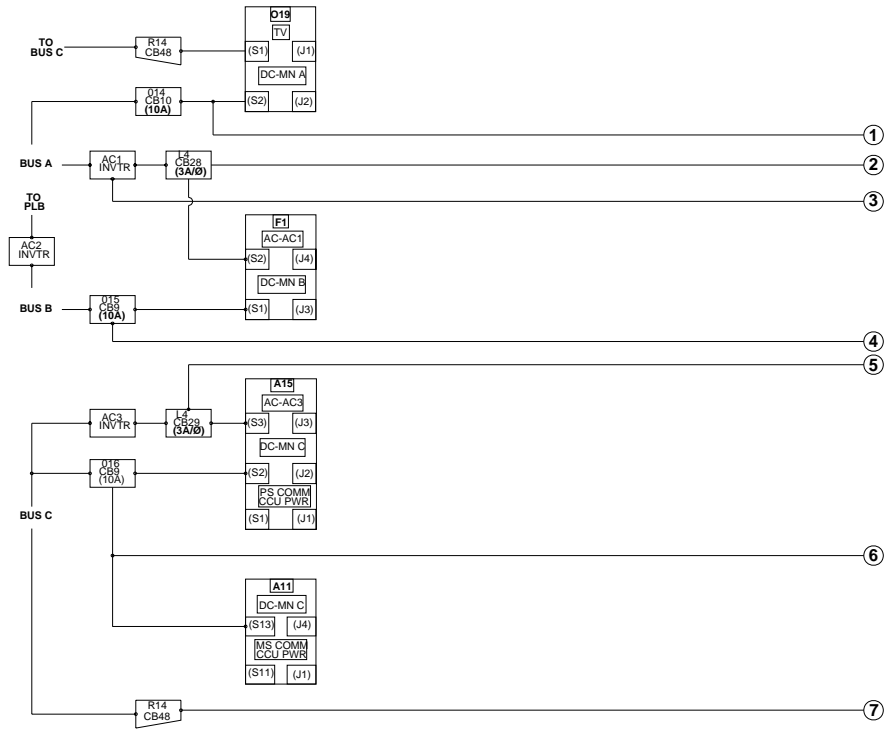
PWR: PANEL REFERENCE	
FLT DECK.....	FS 4-2
MIDDECK.....	FS 4-3
PWR/DATA/VIDEO: PRE-ROUTED CONFIG	
FLT DECK.....	FS 4-4
MIDDECK.....	FS 4-5
PWR/DATA/VIDEO: ASCENT CONFIG	
FLT DECK.....	FS 4-6
MIDDECK.....	FS 4-7
PWR/DATA/VIDEO: ENTRY CONFIG	
FLT DECK.....	FS 4-8
MIDDECK.....	FS 4-9
PWR: ON-ORBIT CONFIG	
FLT DECK.....	FS 4-10
MIDDECK.....	FS 4-11
PWR: CREW RESCUE COOLING CONFIG	
FLT DECK.....	FS 4-12
MIDDECK.....	FS 4-13

UTIL
PWR

PWR: PANEL REFERENCE – FLT DECK

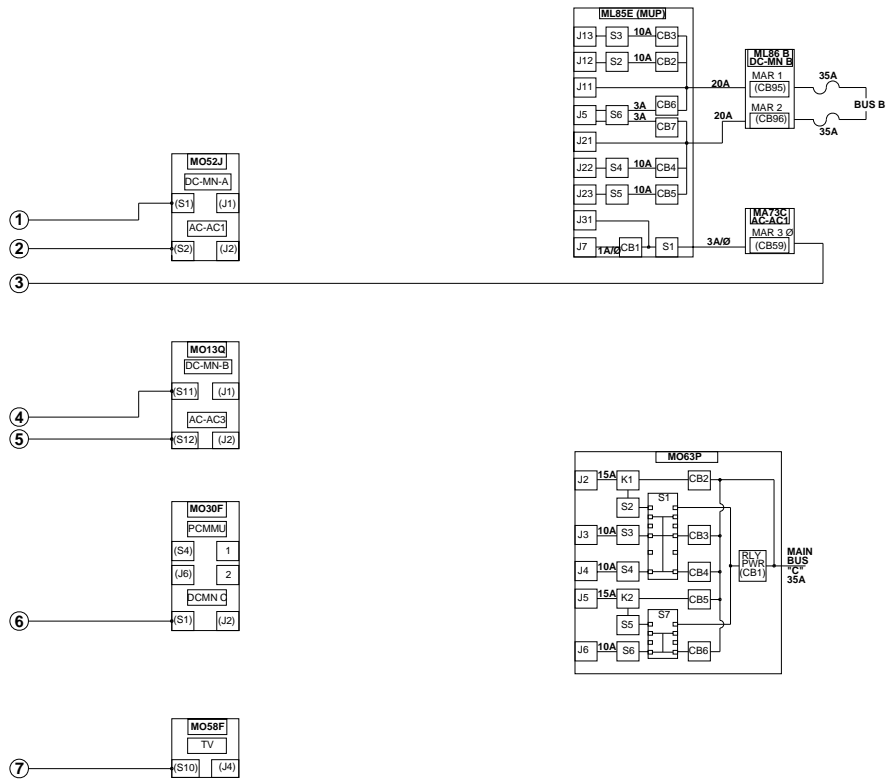


**UTIL
PWR**



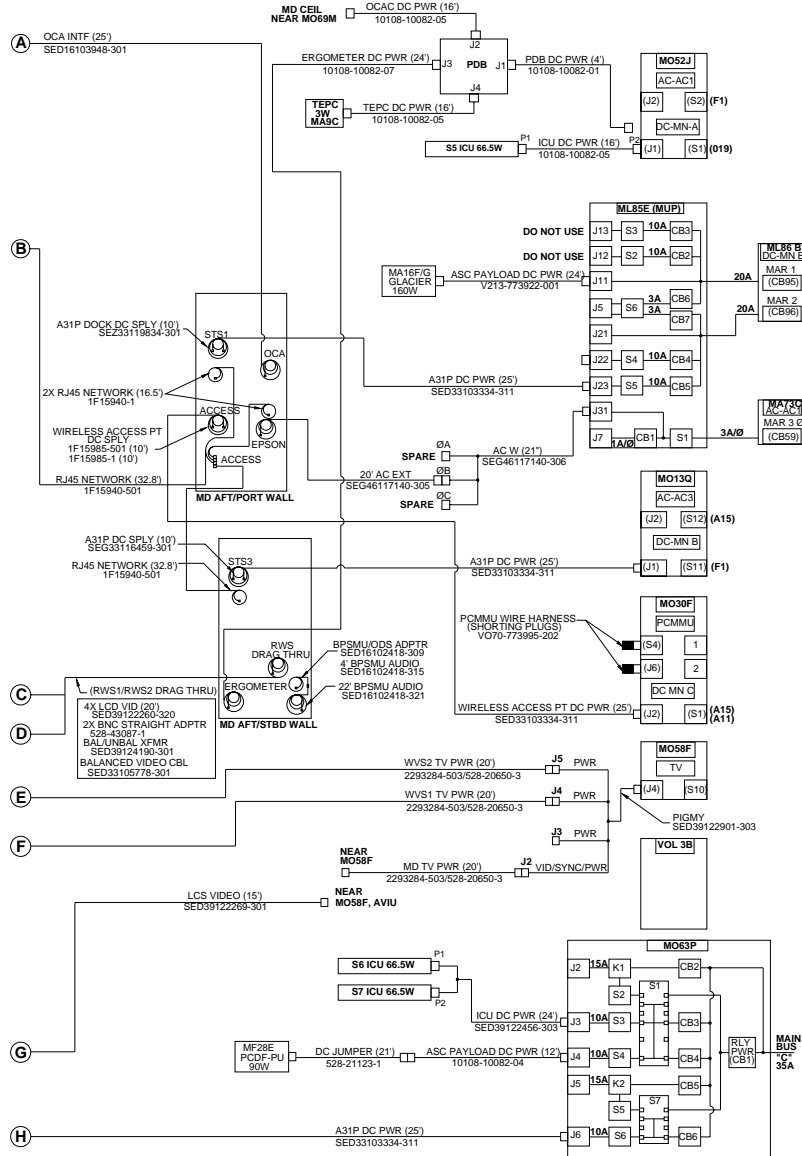
PWR: PANEL REFERENCE – MIDDECK

REV A
12/12/08



PWR/DATA/VIDEO: PRE-ROUTED CONFIG – MIDDECK

REV A
12/12/08

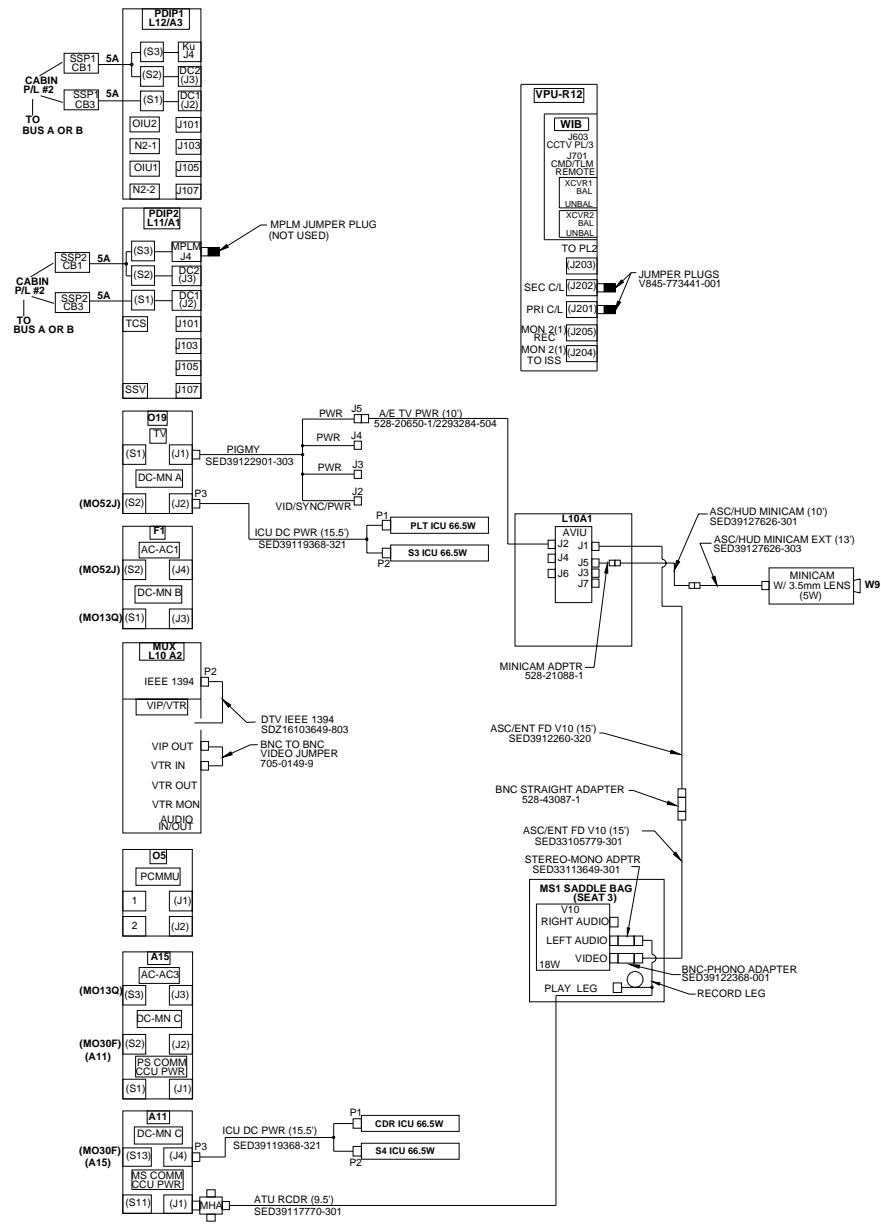


- NOTE:**
1. GREEN JUMPER INSERTED AT VPU LDR/ITVC CONNECTOR
 2. NO PHYSICAL CONNECTION BETWEEN WLES CABLES AND CABIN RELAY UNIT (CRU)
 3. MPLM JUMPER PLUG (NOT USED).
 4. OCA LEGS P3 AND P4 WILL BE PRE-ROUTED CLOSE TO L10A2 (DTV/MUX)

FS 4-5

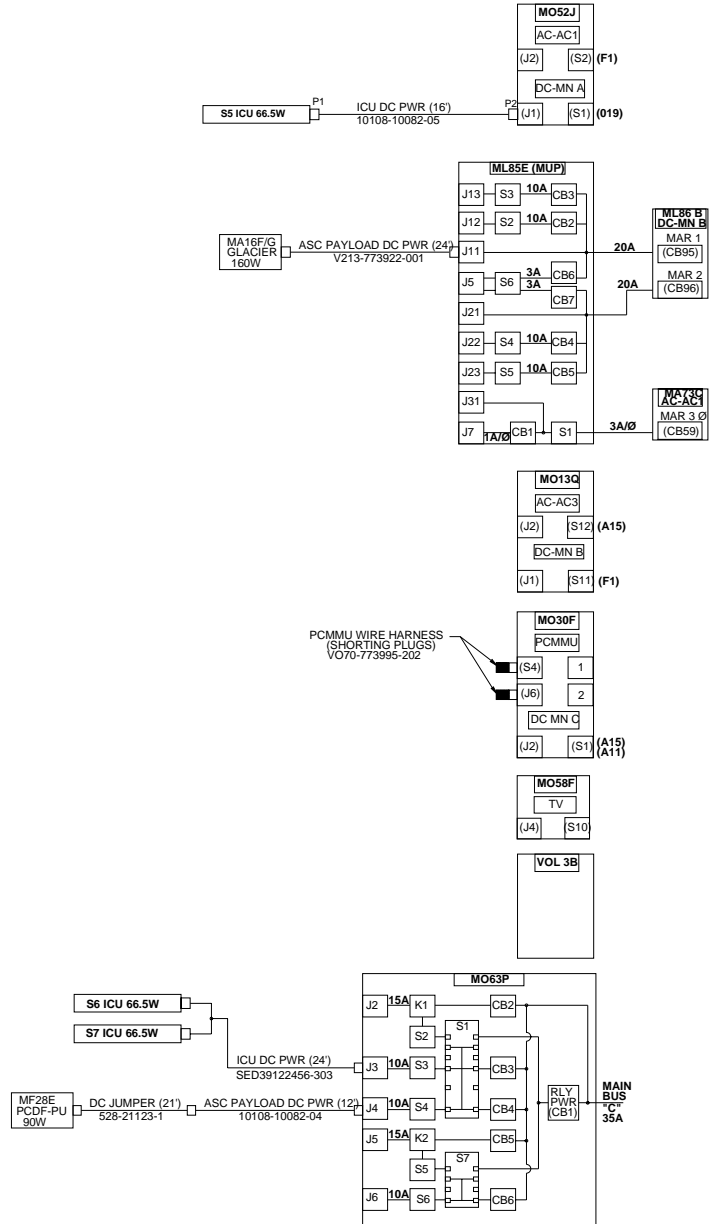
REF/119/FIN

PWR/DATA/VIDEO: ASCENT CONFIG – FLT DECK



PWR/DATA/VIDEO: ASCENT CONFIG – MIDDECK

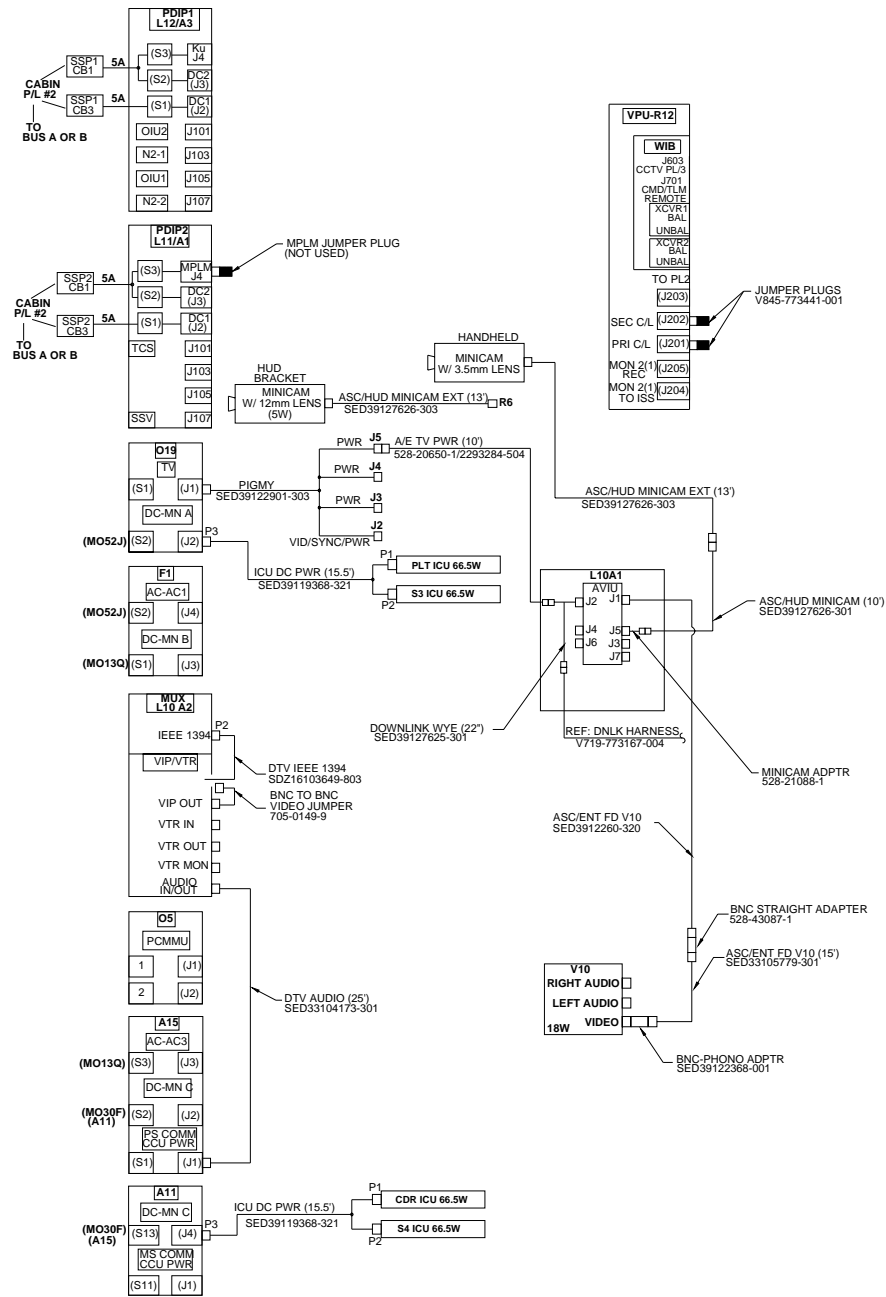
REV A
12/12/08



FS 4-7

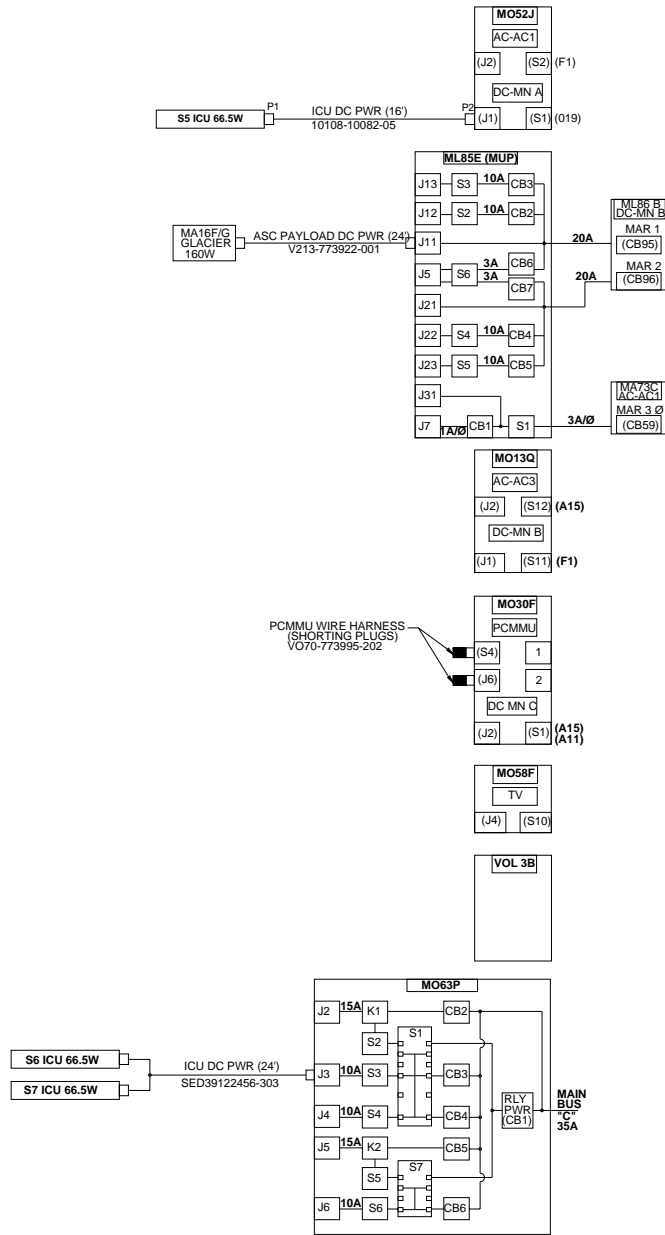
REF/119/FIN

PWR/DATA/VIDEO: ENTRY CONFIG – FLT DECK

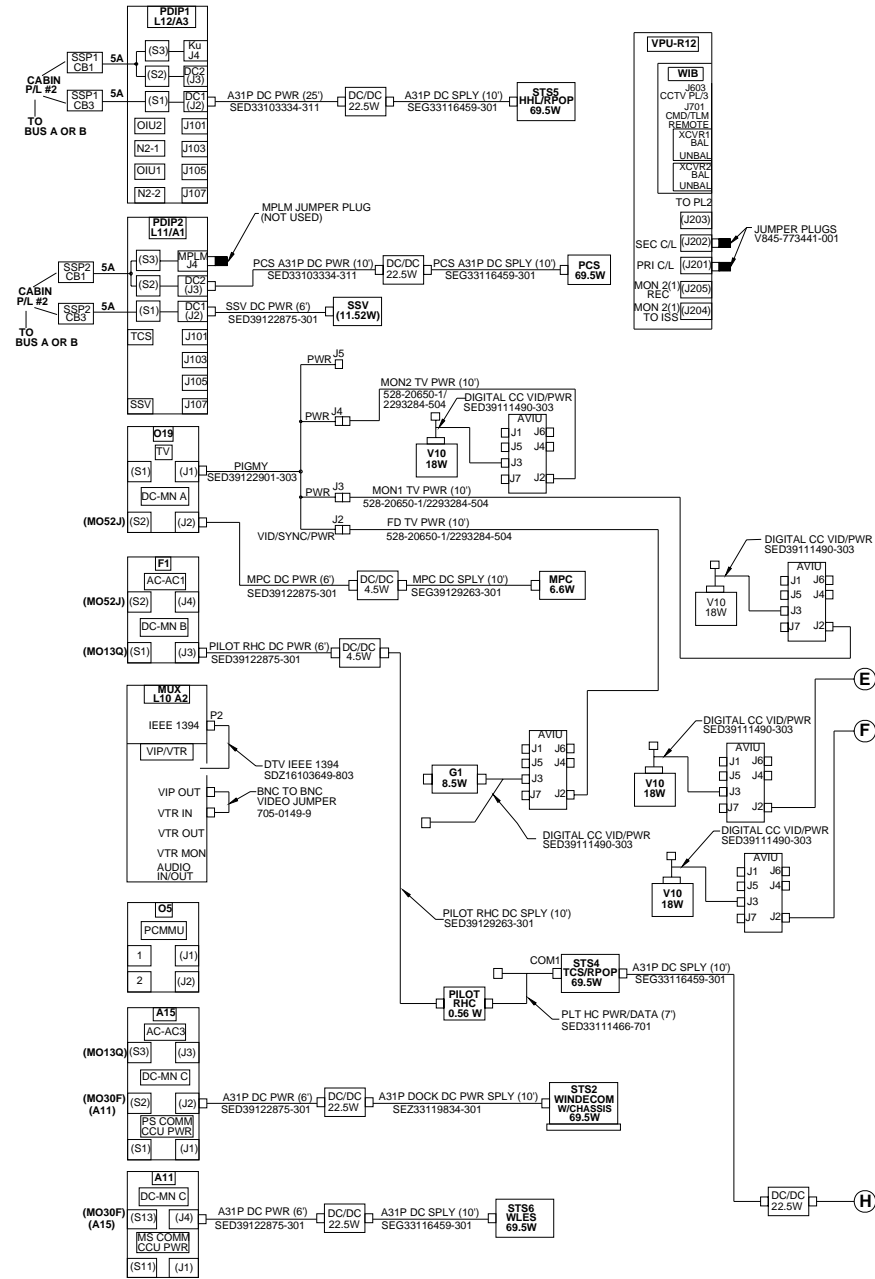


PWR/DATA/VIDEO: ENTRY CONFIG – MIDDECK

REV A
12/12/08

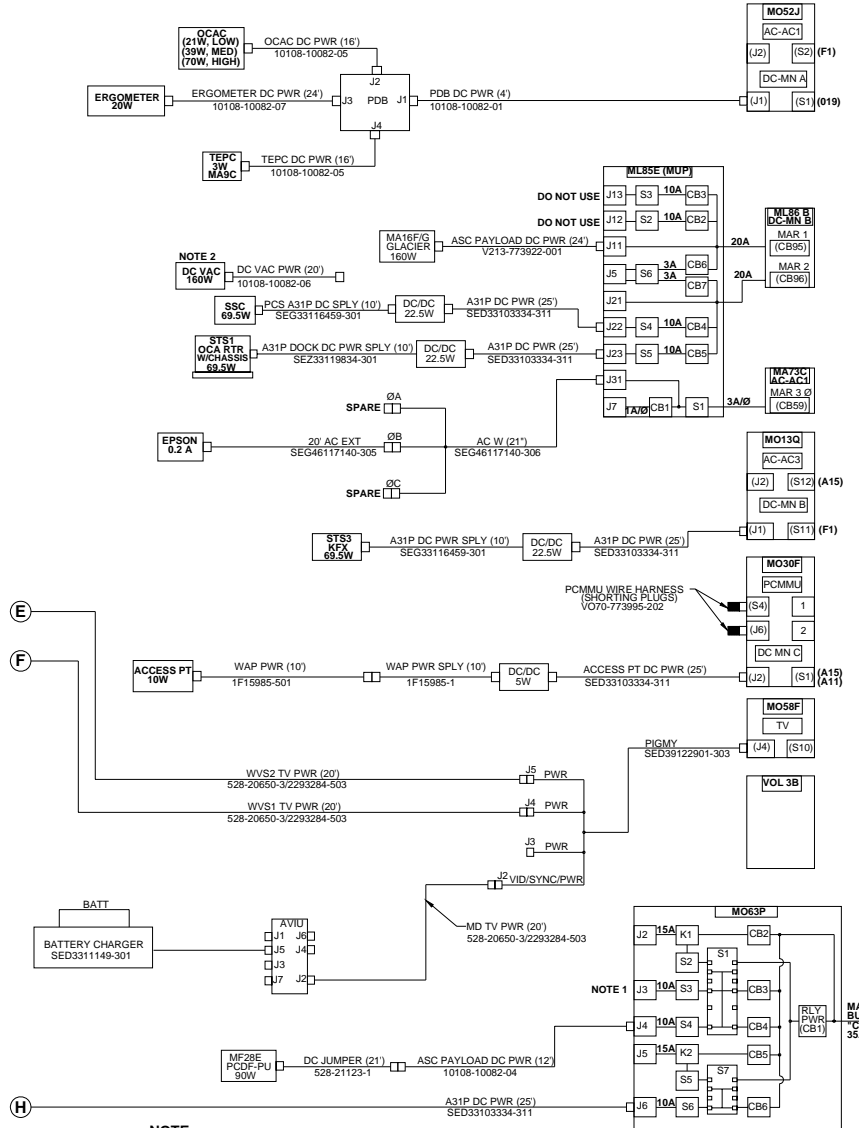


PWR: ON-ORBIT CONFIG – FLT DECK



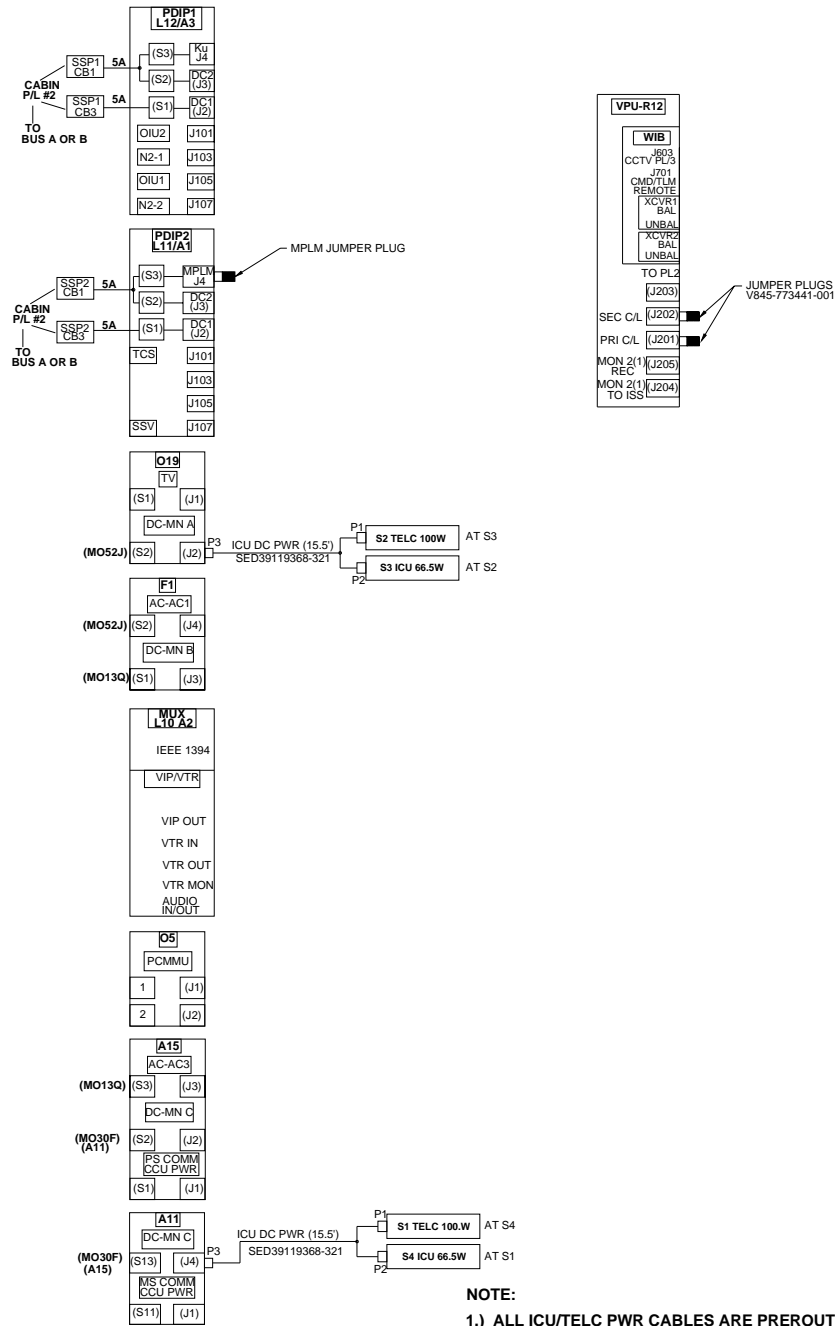
PWR: ON-ORBIT CONFIG – MIDDECK

REV A
12/12/08



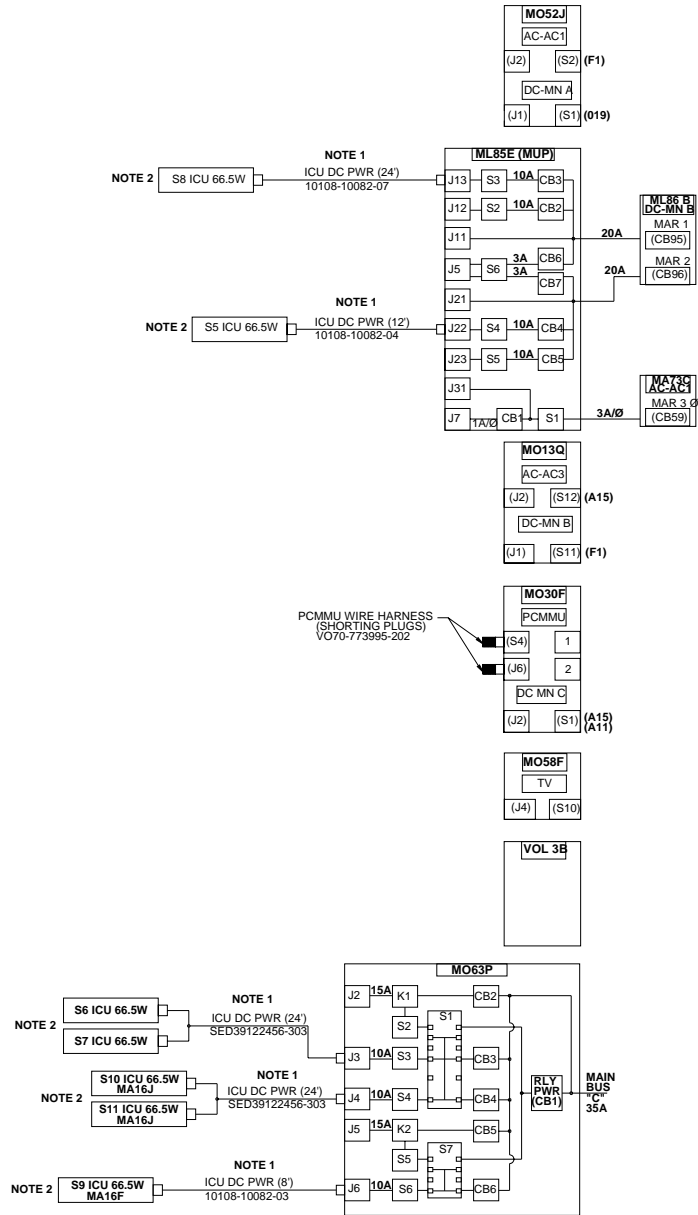
- NOTE:**
1. S6 AND S7 COOLING UNITS REMAIN CONNECTED ON-ORBIT AT MO63P DC (J3)
 2. DC VACUUM TO TIMESHARE POWER AT MUP (J22) DC WITH THE SSC COMPUTER TRANSFERRED FROM ISS TO MIDDECK.

PWR: CREW RESCUE COOLING CONFIG – FLT DECK



PWR: CREW RESCUE COOLING CONFIG – MIDDECK

REV A
12/12/08





This Page Intentionally Blank



PLB FLOODLIGHT CONSTRAINTS

PAYLOAD BAY FLOODLIGHT CONSTRAINTS FS 5-2

PLB
FLOODLT

FS 5-1

REF/119/FIN

**PLB
FLOODLT**

PAYLOAD BAY FLOODLIGHT CONSTRAINTS

GENERIC	STS-119
<ul style="list-style-type: none"> • Minimum operating time for PLB Floodlights is 10 min • Lights must be OFF for a minimum of 10 min UNBLOCKED, 16 min BLOCKED prior to reuse • ~3 min to full bright <p>Record MET: ____ / ____ : ____ : ____</p> <p>* If PLB Floodlight not ON to full * * bright within 5 min: * * (Aff) PL BAY FLOOD – OFF *</p>	<p>S6 IN PLB AND ORBITER NOT IN BAY-TO-SUN INERTIAL TYPE ATTITUDE</p> <ul style="list-style-type: none"> • FWD PORT AND STBD LIGHTS, generic constraints apply • MID PORT AND STBD LIGHTS, generic constraints apply • AFT PORT AND STBD LIGHTS, OFF at all times <p>S6 IN PLB AND ORBITER IN BAY-TO-SUN INERTIAL TYPE ATTITUDE</p> <ul style="list-style-type: none"> • FWD PORT AND STBD LIGHTS, max 270 min ON, 35 min OFF • MID PORT LIGHTS, max 60 min ON, 30 min OFF • MID STBD LIGHTS, max 270 min ON, 35 min OFF • AFT PORT AND STBD LIGHTS, OFF at all times <p>S6 NOT IN PLB</p> <ul style="list-style-type: none"> • Generic constraints apply to all floodlights

ENTRY STOWAGE

FLIGHTS WITH RETENTION NET..... FS 6-2

**ENTRY
STOW**

FS 6-1

REF/119/FIN

FLIGHTS WITH RETENTION NET

AIRLOCK CONFIGURATION

1. Stow clothing and soft goods in airlock in mesh bag or jettison stowage bag
2. Tie bags to standoffs on handrails or EVA attachment point
3. Avoid using standoffs on handrail just inside inner hatch (bags may snag on opening mechanism during ground retrieval)
4. Attempt to tape bags to floor or wall to prevent settling on EMUs or hatches

RETENTION NET CONFIGURATION

1. Configure sleeping bags in two flat stacks (4 top, 3 bottom)
2. Verify retention net in forward position
3. Return to Houston bag(s) behind retention net should contain only:
 - Ascent FDF
 - Digital Video Tapes
 - Crew Shirts
4. Restrain RTH Bag(s) to floor using seat restraint and Gray Tape as necessary

ITEMS/NOTES

1. Stow the following items:
 - Water Samples and ACTEX Purge Bags in Fresh Food Locker (MF14E)
2. Stow used disposable batteries in double-wrap Ziplock Bags away from heat source. Recommend Fresh Food Locker (MF14E)

**ENTRY
STOW**

MISSION SPECIFIC ITEMS/NOTES

1. Laundry not stowed in Volume B should be divided into two stowage locations – half in Airlock and half behind Retention Net



CUE
CARDS

CUE CARD CONFIGURATION



FAB USE ONLY

FS 7-1

REF/119/FIN



CUE CARDS

TOP

REF-1a/119/O/A

STS-119 CONSUMABLES

REF/119/FIN

FAB USE ONLY

(reduced copy)
FS CC 7-2

REF/119/FIN

DISINFECTANT WIPES (26/pkg) (4/cm/day)	WMC (pkg) 3 2 1	VOL B (MA4D) (pkg) 3 2 1	VOL B (MA4J) (pkg) 11 10 9 8 7 6 5 4 3 2 1	ML60B (pkg) 1	MF43H (pkg) 1
DRY WIPES (24/pkg) (20/cm/day)	WMC (pkg) 29 28 27 26 25 24 23 22 21 20 19 18 17 16 15 14 13 12 11 10 9 8 7 6 5 4 3 2 1	VOL B (MA4D) (pkg) 73 72 71 70 69 68 67 66 65 64 63 62 61 60 59 58 57 56 55 54 53 52 51 50 49 48 47 46 45 44 43 42 41 40 39 38 37 36 35 34 33 32 31 30 29 28 27 26 25 24 23 22 21 20 19 18 17 16 15 14 13 12 11 10 9 8 7 6 5 4 3 2 1	VOL B (MA4J) (pkg) 20 19 18 17 16 15 14 13 12 11 10 9 8 7 6 5 4 3 2 1		
ELBOW BAGS	WMC 16 15 14 13 12 11 10 9 8 7 6 5 4 3 2 1	VOL B (MA4D) 14 13 12 11 10 9 8 7 6 5 4 3 2 1			
EMESIS BAGS	WMC 7 6 5 4 3 2 1	VOL B (MA4J) 13 12 11 10 9 8 7 6 5 4 3 2 1			
GLOVES (50/pkg) (2/cm/day)	WMC (pkg) 2 1	VOL B (MA4J) 1	VOL G (MD80R) (pkg) 1		
GLOVES, SHOULDER LENGTH	VOL B (MA4J) (pkg) 1				
PREFILTERS, CONICAL	WMC 20 19 18 17 16 15 14 13 12 11 10 9 8 7 6 5 4 3 2 1	VOL B (MA4J) 20 19 18 17 16 15 14 13 12 11 10 9 8 7 6 5 4 3 2 1			
TOWELS (172/cm/day)	WMC 36 35 34 33 32 31 30 29 28 27 26 25 24 23 22 21 20 19 18 17 16 15 14 13 12 11 10 9 8 7 6 5 4 3 2 1	VOL B (MA4J) 13 12 11 10 9 8 7 6 5 4 3 2 1			
TRASH BAGS (Coffee Can) (10/pkg) (2/cm/day)	WMC (pkg) 10 9 8 7 6 5 4 3 2 1	VOL B (MA4D) (pkg) 8 7 6 5 4 3 2 1	VOL B (MA4J) (pkg) 5 4 3 2 1		
WASHCLOTHS (1/cm/day)	WMC 32 31 30 29 28 27 26 25 24 23 22 21 20 19 18 17 16 15 14 13 12 11 10 9 8 7 6 5 4 3 2 1	VOL B (MA4D) 28 27 26 25 24 23 22 21 20 19 18 17 16 15 14 13 12 11 10 9 8 7 6 5 4 3 2 1	VOL B (MA4J) 56 55 54 53 52 51 50 49 48 47 46 45 44 43 42 41 40 39 38 37 36 35 34 33 32 31 30 29 28 27 26 25 24 23 22 21 20 19 18 17 16 15 14 13 12 11 10 9 8 7 6 5 4 3 2 1		
WET WASHES (40/pkg) (17/cm/day)	WMC (pkg) 6 5 4 3 2 1	VOL B (MA4D) (pkg) 24 23 22 21 20 19 18 17 16 15 14 13 12 11 10 9 8 7 6 5 4 3 2 1	VOL B (MA4J) (pkg) 16 15 14 13 12 11 10 9 8 7 6 5 4 3 2 1		



FAB USE ONLY



(reduced copy)
FS CC 7-3

REF/119/FIN



TOP
BACK OF 'STS-119 CONSUMABLES'

HOOK
VELCRO



REF-1b/119/O/A





This Page Intentionally Blank



FAB USE ONLY

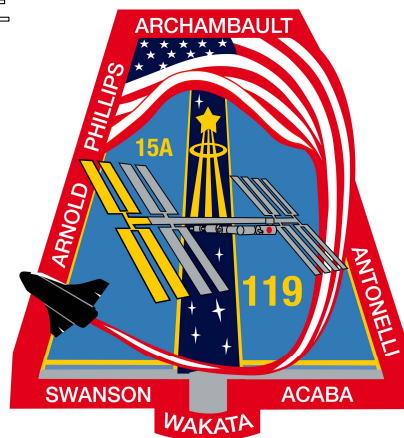
FS 7-4

REF/119/FIN



Space Shuttle Program
FLIGHT DATA FILE

JSC-48042-119
FINAL



**REFERENCE
DATA**

**STS
119**

Flight Cover (trim bottom to expose tabs)