

Reference Data

STS-120 Flight Supplement

**Mission Operations Directorate
Operations Division**

**Final, Rev A
October 15, 2007**

National Aeronautics and
Space Administration

Lyndon B. Johnson Space Center
Houston, Texas



Verify this is the correct version for the pending operation (training, simulation or flight).
Electronic copies of FDF books are available. URL: <http://mod.jsc.nasa.gov/do3/FDF/index.html>


JSC-48042-120

MISSION OPERATIONS DIRECTORATE

**REFERENCE DATA
STS-120 FLIGHT SUPPLEMENT**


FINAL, REVISION A
October 15, 2007

PREPARED BY:


Michele M. Crisp
Publication Manager

APPROVED BY:

ACCEPTED BY:


Kimberly A. Johnson
Manager, Shuttle
Procedures Management


Michael T. Hurt
FDF Manager

This document is under the configuration control of the Crew Procedures Control Board (CPCB). All proposed changes must be submitted via FDF Workflow Crew Procedure Change Request (CR) to DO3/FDF Manager.

Additional distribution of this book, for official use only, may be requested in writing to DO3/PMO Administrator. The request must include justification and requester's name, organization, position, and phone number. Contractor requests are made through the NASA or DOD organization supported. Deletions, reduction in quantity, or change of address may be submitted to DO3/FDF Management Office, 281-244-1184.

REF/120/FIN A

Incorporates the following:
482#: REF_FS-0016

AREAS OF TECHNICAL RESPONSIBILITY

Publication Manager	DO35/M. Crisp	281-483-5975
Alternate Publication Manager	DO35/L. Giles	281-244-9068

REFERENCE DATA
STS-120 FLIGHT SUPPLEMENT

LIST OF EFFECTIVE PAGES

FINAL 10/02/07

REV A 10/15/07

Sign Off	* 120/FIN A	FS 2-8	120/FIN A
FS ii	* 120/FIN A	FS 2-9	120/FIN A
FS iii	* 120/FIN A	FS 2-10	120/FIN A
FS iv	* 120/FIN A	FS 2-11	120/FIN A
FS v	* 120/FIN A	FS 2-12	120/FIN A
FS vi	* 120/FIN A	FS 2-13	120/FIN A
FS 1-1	120/FIN A	FS 2-14	120/FIN A
FS 1-2	120/FIN A	FS 2-15	120/FIN A
FS 1-3	120/FIN A	FS 2-16	120/FIN A
FS 1-4	120/FIN A	FS 2-17	120/FIN A
FS 1-5	120/FIN A	FS 2-18	120/FIN A
FS 1-6	120/FIN A	FS 2-19	120/FIN A
FS 1-7	120/FIN A	FS 2-20	120/FIN A
FS 1-8	120/FIN A	FS 2-21	120/FIN A
FS 1-9	120/FIN A	FS 2-22	120/FIN A
FS 1-10	120/FIN A	FS 2-23	120/FIN A
FS 1-11	120/FIN A	FS 2-24	120/FIN A
FS 1-12	120/FIN A	FS 2-25	120/FIN A
FS 1-13	120/FIN A	FS 2-26	120/FIN A
FS 1-14	120/FIN A	FS 2-27	120/FIN A
FS 1-15	120/FIN A	FS 2-28	120/FIN A
FS 1-16	120/FIN A	FS 3-1	120/FIN A
FS 2-1	120/FIN A	FS 3-2	120/FIN A
FS 2-2	120/FIN A	FS 3-3	120/FIN A
FS 2-3	120/FIN A	FS 3-4	120/FIN A
FS 2-4	120/FIN A	FS 3-5	120/FIN A
FS 2-5	120/FIN A	FS 3-6	120/FIN A
FS 2-6	120/FIN A	FS 3-7	120/FIN A
FS 2-7	120/FIN A	FS 3-8	120/FIN A

* – Omit from flight book

FS 4-1	120/FIN A	FS 4-12	120/FIN A
FS 4-2	120/FIN A	FS 4-13	120/FIN A
FS 4-3	120/FIN A	FS 4-14	120/FIN A
FS 4-4	120/FIN A	FS 5-1	120/FIN A
FS 4-5	120/FIN A	FS 5-2	120/FIN A
FS 4-6	120/FIN A	FS 6-1	120/FIN A
FS 4-7	120/FIN A	FS 6-2	120/FIN A
FS 4-8	120/FIN A	FS 7-1	* 120/FIN A
FS 4-9	120/FIN A	FS CC 7-2	* 120/FIN A
FS 4-10	120/FIN A	FS CC 7-3	* 120/FIN A
FS 4-11	120/FIN A	FS 7-4	* 120/FIN A

REF DATA CUE CARDS

<u>Title</u>	<u>Ref. Page</u>	<u>Card No.</u>
STS-120 CONSUMABLES		
(Front).....	FS CC 7-2	REF-1a/120/O/B
(Back).....	FS CC 7-3	REF-1b/120/O/A

* – Omit from flight book

<u>CONTENTS</u>	<u>PAGE</u>
<u>LOCKER STOWAGE</u>	FS 1-1
STS-120 FLT DECK STOWAGE	FS 1-2
MIDDECK STOWAGE	FS 1-4
LIGHTWEIGHT MAR	FS 1-14
CONSUMABLES.....	FS 1-15
 <u>ALPHABETICAL STOWAGE</u>	 FS 2-1
 <u>FDI DOCUMENTATION STOWAGE</u>	 FS 3-1
LAUNCH CONFIG – LOCKER.....	FS 3-2
– ALPHABETICAL.....	FS 3-3
 <u>UTILITY OUTLET PLUG-IN PLAN</u>	 FS 4-1
PWR: PANEL REFERENCE	
FLT DECK	FS 4-2
MIDDECK.....	FS 4-3
PWR/DATA/VIDEO: PRE-ROUTED CONFIG	
FLT DECK	FS 4-4
MIDDECK.....	FS 4-5
PWR/DATA/VIDEO: ASCENT CONFIG	
FLT DECK	FS 4-6
MIDDECK.....	FS 4-7
PWR/DATA/VIDEO: ENTRY CONFIG	
FLT DECK	FS 4-8
MIDDECK.....	FS 4-9
PWR: ON-ORBIT CONFIG	
FLT DECK	FS 4-10
MIDDECK.....	FS 4-11
PWR: CREW RESCUE COOLING CONFIG	
FLT DECK	FS 4-12
MIDDECK.....	FS 4-13
 <u>PLB FLOODLIGHT CONSTRAINTS</u>	 FS 5-1
PAYLOAD BAY FLOODLIGHT CONSTRAINTS	FS 5-2
 <u>ENTRY STOWAGE</u>	 FS 6-1
FLIGHTS WITH RETENTION NET	FS 6-2
 <u>CUE CARD CONFIGURATION</u>	 FS 7-1



This Page Intentionally Blank



LOCKER STOWAGE

STS-120 FLT DECK STOWAGE	FS 1-2
MIDDECK STOWAGE	FS 1-4
LIGHTWEIGHT MAR	FS 1-14
CONSUMABLES	FS 1-15

LOCKER

LOCKER

STS-120 FLT DECK STOWAGE

C4A

FDF

C4F

FDF

R3A

FDF

R3F

FDF

L10 UPPER

AVIU

Batt Charger, DCS

Cables

DCS 7V DC Pwr, 15 ft

DCS 28V DC Pwr, 6 ft

Digital CC Vid/Pwr, 15 ft

Tapes

Digital Video (117)

Sony Video (14)

VPU Plug

L10 LOWER

DTV w/Tape

10/09/07

L11

OIU

PDIP 2

L12

PDIP 1

SSP 1/SSP 2

R12

SPAS/OPP/OBSS

VPU

A16

Bag, Camera

Batt, NiMH (2)

Cable, Fuel Cell

Cable Assy, Shutter Release
w/Extension

Cards, DCS 760 (7)

Cleaning Solution

Dry Wipe

Film, 35mm (27)

Filter, Polarizing Modified

Flash Assy w/Batt

FS 1-2

A16

(Cont)

Bag, Camera (Cont)

Lens

16mm

17-35mm

28mm

50mm

80-200mm

Lens Cap (3)

Thermal Blanket, EVA

Viewfinder, EVA

Bracket, Multiuse (3)

Cable, PCMMU Fuel Cell

Inflight Computer Desk (3)

Leg Bar Assy, FRED

PILOT Hand Controller

Bungee (2)

Cable, PILOT RS-232 Pwr/Data Y

Tie Wrap (10)

REF/120/FIN A

STS-120 FLT DECK STOWAGE (Cont)

A17

Bag, DTV Camcorder
Adapter, Stereo-to-Mono Audio
BAL/UNBAL XFMR
Cables
ATU Recorder
Balanced Video
BNC Video
DTV IEEE 1394 Batt Adapter
DTV IEEE 1394 to Female
DTV IEEE 1394 to Male
IEEE 1394, 15 ft
IEEE 1394 Crew Cabin
Monitor to VIU/CM
Camera, Mini-Cam (HUD Entry)
Bracket, HUD
Cable, VIU LCD 20 ft
Lens, 12mm
Tie Wrap, 14 in
Camera, Mini-Cam (Window 3)
Lens, 6mm
Lens, 12mm
Converter, IVA 1394 (2)
Film, 35mm (27)
Kit, DTV MUX Fuse (5-5A, 3-2A)
Lens, 8mm Fisheye
Ziplock, 13x18 (15)

A17

(Cont)
Bag, PD100 Core Camcorder
Adapters
BNC-RCA (2)
BNC-T (2)
RCA-BNC (2)
Audio Muting Plug
AVIU
Batt Charger, Li-ION
Batts
Li-ION (6)
Silver Oxide, 1.5V (2)
Binoculars
8X20 Opera
20X60S
Bracket, Lockline Flex
Cables
AVIU Video w/BNC Adapter
BPSMU AVIU Patch
Digital Camcorder Video/Pwr
IEEE 1394 4-Pin Firewire
PCMCIA to WIB-Remote
PD100 A/V Adapter
RCA-RCA (2)
S-Video A31p
Video IN/OUT
VIU/CM-CC Video, 15 ft
VPU Patch
Y-C

A17

(Cont)
Bag, PD100 Core Camcorder (Cont)
Camcorder, PD100 w/Tape
Coupler, TWINAX (2)
Headphones
Microphone w/Batt
Tape, Digital Video (60)
Pry Bar, Window 8
Quick Don Mask (4)

10/09/07

FS 1-3

REF/120/FIN A

STS-120 MIDDECK STOWAGE

FORWARD LOCKERS

MF14E

Food, Fresh
Food, Fresh

MF14G

Food, Fresh
Food, Menu

MF14H

Food, Menu
Food, Menu

MF14K

Food, Menu
Food, Menu

MF14M

Food, Menu
Food, Menu

MF14O

Food, Menu
Food, Menu

10/09/07

MF28E

Air Sample Bottle (2)
Bag, Chemical Resistant (2)
Breaker Bar (Pallet Removal)
Breakout Box
Duxseal
Extension, 4 in
Filter, Waste Water Dump
IFM Fastener Retainer Cushion
Kits

Foam Applicator (2)
RMS D&C IFM

Lubricant
Turnbuckle (3)

MF28G

IFM Tools

MF28H

Cable, Biomed (2)
Container, Sharps
Kits
Dosimeter
Electrode
Medical Accessory
Operational Bioinstrumentation System
Restraint (4)
Saline (2)
Subpacks
Airway
Drug

FS 1-4

MF28H

(Cont)
Subpacks (Cont)
EENT
IV Administration
Saline Supply
Trauma

MF28K

Bags
Inflight Stowage Restraint (10)
Jettison Stowage (5)
Batt Pack, PD100
Bracket, Multiuse
Canister, WCS (Coffee Can)
Covers
HUD (2)
Parachute (3)
Switch Guard
Filter, Window UV
Hoses
Personal Hygiene
WCS Canister
Lens, Wide Angle PD100
Mirror, Personal Hygiene (2)
Shuttle Emergency Eye Wash
Side Hatch Locking Device
Tape
Digital Video
Gray 1"
Gray 2"
Wipe, Disinfectant (3 pkg)

REF/120/FIN A

STS-120 MIDDECK STOWAGE (Cont)

FORWARD LOCKERS (Cont)

<p>MF28M <u>Food, Menu</u> Food, Menu</p>	<p>MF43H <u>Clothing, MS1</u> Clothing, MS1</p>	<p>MF57C FDF SODF</p>
<p>MF28O <u>Food, Menu</u> Food, Menu</p>	<p>MF43K PWR, ITCS Fluid</p>	<p>MF57E Allen Driver, Ball-end 5/32 CSA-CP EWIS, Network Control Unit Assy Right Angle Drive RPCM, Type II RPCM, Type V Spot Beam Reflector (5)</p>
<p>MF43C Orbiter FDF</p>	<p>MF43M FRED Knobs (2) Pads Foot (2) Knee (2) Shaft Foot Knee Leg Bar <u>Mount Assy</u> Towel (20)</p>	<p>MF57G Batt Pack, CSA-CP/CDM (6) CDM Assy Filter, CDM (2) FRTL-5 Pouch Kits Blood Collection Medical Accessory Saliva Collection Saliva Collection w/Log (6) Nomex Bag, Spore</p>
<p>MF43E <u>Clothing, CDR</u> Clothing, CDR</p>	<p>MF43O <u>Clothing, MS3</u> Clothing, MS3</p>	<p>MF57H Fiber Optics Cleaning Kit MLI Blanket Keel Pin Orbit Installed GAP Spanner (11) OWIF Socket Assy (3) Trunnion Blanket (4) Wire Harness (4)</p>
<p>MF43G EUCPD (3) Kits Minerals H2O XFER Sample Purge H2O XFER Silver Biocide Label Maker Labeling Tape 1/2" (4) 3/4" (4) Paper, Color Printer/6 hole SOMS Resuscitator 10/09/07</p>	<p>MF57A (VOL A) Pantry Food Accessories Eating Utensils</p>	<p style="text-align: right;">REF/120/FIN A</p>
	FS 1-5	

STS-120 MIDDECK STOWAGE (Cont)

FORWARD LOCKERS (Cont)

<p>MF57K Actiwatch (7) Bags Helmet Stowage (2) Jettison Stowage (5) Bungee, Adjustable (7) Kit, Comm Cable, Comm 4 ft Cable, Comm 14 ft Mic, Handheld (3) VLHS (2) PIP Pin, Assy O2 Bleed Orifice O-Ring Viton PIP Pin (12) PIP Pin, Egress Pole/Spare Tape, Gray 2" Ziplock Bags 8x8 (20) 12x12 (9)</p>	Crew Clothing
--	---------------

MF57M
 CTB, Photo TV Stow-n-go
 Adapter
 BNC-RCA Phono (2)
 Camera Plate Flex
 RCA Gender (2)
 AVIU (5)

10/09/07

MF57M
 (Cont)
 CTB, Photo TV Stow-n-go (Cont)
 Bracket
 Base Multiuse
 Clamp Multiuse (3)
 Lockline Flex (2)
 Multiuse (3)
 Cable
 AVIU Video
 Balance Video (2)
 Digital CC Video Pwr (5)
 PD100 A/V Adapter
 VIU/CM-CC Video 15 ft (4)
 Inflight Computer Desk (2)
 Lens, PD100 Wide Conversion
 Recorder, V10 w/Tape (4)
 Remote, DTV (2)
 Tape, Digital Video (25)

MF57O
 Clothing, Crew

MF71C
 SODF

MF71E
Clothing, PLT
Clothing, PLT

MF71G
 Batt, CSA Mon/CSA-CP
 Clamp, IMV-Band
 Clip, Retainer (26)
 CSA-02 (2)
 CSA-CP (4)
 Gyro Parts
 Nut, Cap
 Rope, Wire
 Screws
 Washers
 IMAK
 Kit
 Defib Resupply
 ISS PCBA Cartridge
 MSG Inspace Assy
 PCBA Bags (2)
 Petri Dish (5)
 Plug, RCC Universal Repair

MF71H
Clothing, MS2
Clothing, MS2

FS 1-6

REF/120/FIN A

STS-120 MIDDECK STOWAGE (Cont)

FORWARD LOCKERS (Cont)

MF71K

Crew Care Pkg | Clothing, Entry

MF71M

Braycote
CSA-CP Assy
 Batt Pack, CSA-CP (3)
 Sampling Pump
 Sampling Pump Filter
 Zero Filter Assy

MF71M

(Cont)
CWC, Condensate Collection
Hose, Y-Y 8 ft
Kit, Docking Mechanism Accessory
 APAS Hatch Tool
 Cloth Wipes
O-Ring, Bore seal (2)
O-Ring, Face seal (2)
SUPA Hose (14)
Towel

MF71O

Clothing, MS4
Clothing, MS4

10/09/07

FS 1-7

REF/120/FIN A

STS-120 MIDDECK STOWAGE (Cont)

AFT LOCKERS

MA9D/F

CIPAA Containment Bag
COAX Cable Torque Adapter (2)
DTV, MUX Spare
DTV, VIP Spare
Multiplexer, Downlink Data
Multi-Purpose CIPAA Sack Assy (2)
RCC Leading Edge Special Wrench
T-RAD Assy
VTR, Sony DSR-25

MA9G

Double Cold Bag
Cartridge Assy, Manual Crack Gun (9)
HOBO Data Logger (3)
Icepack Assy (7)

MA9J

Crew Support

MA9L

Tray, Color Printer (2)
ACTEX (2)
Adapter, Dash 2
Filter, Microbe (Spare)

10/09/07

MA9L

(Cont)
Hoses
ACTEX
Filter Hose Assy
Microbial Check Valve

MA9N

Kit, Personal Hygiene (PHK) (6)
Chem Lights
Green (27)
Red (28)
Kit, Contaminant Cleanup
PHK, Community
Fiberscope, Video
Fiberscope Light Source
Kit, Fluid Loading (2)
Restraints
Foot Loop (Spare) (6)
Seat (Spare) (2)
Trash Bag, WMC (Spare)

MA16D/F

Adapter, RS-422 (8)
Board, PCCMU PCBoard, OCA PC Cards
Dual Port PCMCIA RS-422 (5)
Ethernet PCMCIA w/Adapter Cable (3)
PC RANGELAN2 7400 (6)
TRI Port PCMCIA RS-422 (2)

FS 1-8

MA16D/F

(Cont)
Cable, RS-422 Extension, 10 ft
Expansion Unit
OCA
PCMMU (2)
PGSC
STS-1 OCA Router
STS-2 WINDECOM
Pwr Supply, 28VDC (2)
Pwr Supply, DC
Receiver WLE (2)
Relay (3)

MA16G

Access Point, PROXIM 7520 Assy
Cables
PCS-PDIP 1553 Orbiter
RS-232 Y, 15 ft
Camera Assy, Ultraport A31p (2)
Card, PCS MIL-STD-1533 (2)
Hard Drive, 60 GB A31p
PC/OCA Writable Assy
PCMCIA Case, CD Stowage
PCS A31p
Pwr Supplies
28VDC
DC

REF/120/FIN A

STS-120 MIDDECK STOWAGE (Cont)

AFT LOCKERS

MA16J

Adapter, Bends Treatment (BTA)
Audio Dosimeter
Batts
 AA (30)
 NiMH (4)
Camera, DCS 760 w/Card
COAS
 Filter, NI-CR
Light Shade (2)
Photo Floodlight

MA16N

Clothing, MS5 Up
Clothing, MS5 Dn

MA16L

Bag, Helmet
Batt Cap/Fuse Assy
Batts
 AA
 BPSMU (3)
 LIDAR (2)
BPSMU (2)
Cables
 BPSMU/CCU Adapter (2)
 RS-232 HHL Data (2)
 SSV to PDIP/CIP
Kit, SSV Fuse
LIDAR
LIDAR w/Nightscope
SSV Compression Encoder
10/09/07

FS 1-9

REF/120/FIN A

STS-120 MIDDECK STOWAGE (Cont)

WASTE MGMT COMPARTMENT

Bag, Emesis (7)
Prefilter, Conical (20)
Scraper Tool
Towel (36)
Urinal Funnel, Female Oblong
Urinal Funnel, Female Round (2)
Urinal Funnel, Male (6)
Washcloth (32)
WCS Tool
Bag, Elbow (16)
Clothing, 1st Day (7)
SUPA Hose
Trash Bag, Aux Wet
Dry Wipes, Multi-Purpose (29 pkg)
Disinfectant Wipes (3 pkg)
Gloves (2 pkg)
Trash Bag, Coffee Can (10 pkg)
Wet Wash (6 pkg)

VOL B (MA4D)

Bag, Elbow (12)
Bag, Emesis (13)
Dry Wipes, Multi-Purpose (60 pkg)
Gloves (1 pkg)
Gloves, Shoulder length (1 pkg)
Prefilter, Conical (20)
Towel (2)

10/09/07

VOL B (MA4D)

(Cont)
Trash Bag, Coffee Can (10 pkg)
Washcloth (164)
Wet Wash (40 pkg)
Ziplock, 13x18 (7)

VOL 3B (MA73J)

Audio Muting Plug
Batts
AAA (14)
Li-ION (2, 1 installed)
NiMH (2)
Cable, VIU LCD, 20 ft
Camcorder, PD100 w/Tape
Camera, DCS 760 w/Card
Card, PCMCIA, 1 GB
Flash
Lens
28-70mm
400mm
Monitor, LCD w/Batts
OCAC
Quick Don Mask (3)
Spotlight

FS 1-10

VOL D (MD52C)

Not installed

VOL E (MD76C)

OFK/PPK

VOL F (MD76M)

Bag, Jettison Stowage
Kit
Blood Collection (3)
Saliva Collection (2)
Urine Collection (4)
Trash Bag, Wet

VOL G (MD80R)

Bag, Apollo Fecal (40)
CUCD, Male (54)
CWC (2)
Filter, OBF
Gloves (1 pkg)
Pull-Ups (24)
Ziplock Bag, 13x18 (8)

LiOH VOL (MD52M)

Canisters
ATCO
LiOH (29)
G-Suit (6)
Gloves, Nitrile (40)
Mask, Surgical Filter (20)

REF/120/FIN A

STS-120 MIDDECK STOWAGE (Cont)

EXTERNAL AIRLOCK

PORT

EMU – EV2 (see EVA C/L)

STBD

EMU – EV1 (see EVA C/L)

AIRLOCK FLOOR BAG

Batt, EMU

Camera Mount, EVA Digital

Containment Control Cartridge (6)

Crack Repair Pallet Assy (2)

Mounting Strip Assy (4)

MWS (2)

Safer

Template Mount Assy (2)

Tether

Adjustable Equipment (4)

Safety, 85 ft (2)

Thermal Blanket, EVA Camera

VOL H (MD23R)

INBOARD

See EVA C/L

OUTBOARD

See EVA C/L

MA12B (WINDOW SHADE BAG)

Bag, Window Shade

Bag, IFM Cont Hose and Cable Kit

Adapter, Yellow/Red

Cables

AC Pwr Cont Transfer, 15 ft

DC Harness, 24 ft (2)

DC Pigtail Connector (2)

IFM Remote Control

Clamp, Various Sizes (14)

Gloves, Clean Room

Hoses

1/4 in (6 ft)

3/8 in (6 ft)

Cont Blue/Blue

Cont Red/Red

Cont Yellow/Yellow

CWC Contingency

O2 Contingency

Protective Cover Wireway (3)

Water Equipment Assy

Filter, Wand Extender Assy

Galley Needle (Spare)

Separator, Water/Gas (2)

Supply Water Dump Line Purge

Assy

Water Dispenser, Contingency

MA12B (WINDOW SHADE BAG)

(Cont)

Bag, Window Shade (Cont)

Bag, IFM Cont Hose and Cable Kit (Cont)

Panel Covers

A8

Fastener (6)

Lower

Upper

R2

Elastic Tie Down

Snap Tie (2)

Standoff (5)

Stiffener (2)

Shade, CCTV Monitor (2)

Window Shade, Ovhd (2)

10/09/07

FS 1-11

REF/120/FIN A

STS-120 MIDDECK STOWAGE (Cont)

MIDDECK CEILING

BAG E (Port 1)

Antimicrobial Applicator
Antimicrobial Removal
Bag, Insuit Drink (2)
Batt, TDR
Cable
 A to N (2)
 A31p Pwr
 Headset Extension (2)
CCC (2)
CTB, EMU H/W
 Boot (2)
 CCA, EMU (2)
 Gloves, EMU (2 pr)
 LCVG (2)
 Leg Assy
 Lower Arm, 12V (2)
 Mirror, EMU Wrist (6)
 Protective Cover (14)
 Sizing Ring (2)
Docking Station, A31p
Drive, 3/8 in Triple Square M5
Electrical Schematic Headset Control
 Unit (2)
Gloves, Nitrile
Headset (2)
MountZ, Torque Screwdriver

10/09/07

MIDDECK CEILING

(Cont)

BAG F (Port 2)

Bag, ACES
 ACES Harness
 ACES Suit
 Boots, ACES
 G-Suit
 Gloves, ACES
 LCG, Shirt
RSK 6
 Bushing
 Head Rest
 ICU Bracket (2)
 ICU Strap

BAG G (Stbd 1)

Bag, Crack Repair
Batt, AA (6)
CCC
Flow Shutoff Valve (2)
Gel Brush Kit, Full
Gel Brush Kit, Half
Gun, Manual Crack Repair (2)
Kit, Emittance Wash Applicator (2)
MWS RH Swingarm
MWS Tool Stowage Caddy
Powered Bolt Assy (2)
RCC CRM Scrapper, 2 in Stiff (4)
RCC CRM Scrapper, 5 in Wide (2)
Ruler and Protuberance Gauge
Tether, Extension (2)
Thermal Sensor, EVA
Wipe, EVA (5)

FS 1-12

MIDDECK CEILING

(Cont)

BAG H (Stbd 2)

IELK (Tani)
ISS Running Shoes

MIDDECK FLOOR

BAG A (Port 1)

Blanket, CETA
Cover, Lower Arm Wrist (6)
Gloves, EMU (3 pr)
Kit, Ammonia Detection
LCVG
Mechanical Attach Body Assy (4)
 Attach Bolt
 Mech Attach Body
 T-Bar Barrel Nut
Stamp, Angle
Tether, Wrist (4)

BAG B (Port 2)

Bag, ISS Photo & Video Resupply
Batt, D Alkaline (12)
Bracket, Flexible (3)
Cable, OCA I/F
CAFRAMO Fan (3)
Cap, V-Flang IMV (2)
Chair, NADA (2)
Clamp
 Hose Band
 V-Band
Desiccant Bag Assy (3)
Flang, V-Band Coupling Duct Extension
Kit, Contamination Detection (CDK)
Kit, Coolant Quality Monitoring
O-Ring (4)

REF/120/FIN A

STS-120 MIDDECK STOWAGE (Cont)

MIDDECK FLOOR

(Cont)

BAG C (Stbd 1)

Bags, Jettison Stowage (2)
Brief/Waist Body Seal Closure
Protective Cover
CCA
Gloves, EMU (2 pr)
Kit, EMU Comfort Patch
Kit, EVA Crew Options (ECOK)
LCVG
LCVG w/Biomed
Leg Assy (2)
Lower Torso Assy, Enhanced (LTA)
Protective Cover, LWR ARM Boot,
LWR LEG FAR (2)
Protective Cover, Lower Arm Wrist
Disconnect (4)
Protective Cover, Thigh Brief, Upper
Leg FAR (4)
Towel (40)
Wire Ties
16 in (99)
32 in (18)
Ziplocks, Node 2 Bolts (Tani)

MIDDECK FLOOR

(Cont)

BAG D (Stbd 2)

Bag, Insuit Drink (14)
Bag, Trash EVA Large
Carrier, EVA OIH (2)
CTB, Tools/PIVT
Handrail
OIH Assy 12" (2)
OIH Assy 18.9" (2)
OIH Assy 24" (7)
Remote Sensor Unit
Tether, Equipment (29)

10/09/07

FS 1-13

REF/120/FIN A

STS-120 LIGHTWEIGHT MAR

ML60B

Cables

- CCTV Cabin, 20 ft
- RS-232 PGSC
- TV Controller/CIP
- TV Controller/CTVM
- Camera, Centerline (Prime)
- Feeler Gauge (4)
- Harness, Camera (Prime)
- Screw/Washer Assy (Centerline Camera)
- TVCU

ML60E

Adapters

- BNC Straight (2)
- Ethernet PCMCIA w/Adapter Cable (4)

Cables

- A31p DC Pwr, 10 ft (2)
- A31p Dock DC Pwr, 10 ft
- A31p Video Adapter
- AC Ext, 20 ft
- Ethernet, 3 ft (2)
- Ethernet, 25 ft (2)
- OCA I/F, 25 ft
- OPP to LCS RJ45, 20 ft
- PCMMU, 24 ft
- PCMMU Fuel Cell
- PDIP RS-422 Y Data, 24 ft

ML60E

(Cont)

Cables (Cont)

- PGSC DC Pwr, 6 ft (PILOT)
- PGSC DC Pwr, 10 ft (PILOT)
- PGSC DC Pwr, 25 ft
- RS-422 Y, 15 ft
- S-Band Modem, 25 ft
- VLHS to VTS I/F (2)
- Ethernet T-Connector (2)
- Ethernet Terminator
- PGSCs

- 760XD – OCA Router
- STS-3 – KFX
- STS-4 – RPOP
- STS-5 – RPOP2
- STS-6 – WLES
- Pwr Supply, PGSC (5)

ML60J

Bag, Vacuum Cleaner (4)

Cables

- AC Pwr, 20 ft
- AC W
- DC Pwr, 20 ft
- Ethernet, 3 ft
- Parallel Data, 25 ft
- Cartridge, Ink Printer (2)
- Ethernet, T-Connector

ML60J

(Cont)

- Paper, Color Print/6 hole (2)
- Printer, Color
- Vacuum Cleaner
- Tools
 - Cabin Fan Filter
 - Crevice
 - DDU Filter Flex Modular
 - Flex Hose/Suction Hose
 - Hose Adapter
- Wash Cloth

ML60M

- Camera, Centerline (Backup)
- Harness, Camera (Backup)
- Leak Detector, Ultrasonic
 - Acoustic Tip
 - Adapter
 - Batt, 9V (2)
 - Concentrator
 - Headset
 - Probe, Extension (3)
 - Receiver
 - Transmitter

10/09/07

FS 1-14

REF/120/FIN A

STS-120 CONSUMABLES

<u>Item</u>	<u>Location</u>	<u>Total Qty</u>
Contingency Urine/Fecal Collection Devices:		
CUCDs (male)	Vol G (MD80R)	54
Apollo Fecal Bags	Vol G (MD80R)	40
Pull-Ups	Vol G (MD80R)	24
Disinfectant Wipes (26/pkg) (1/cm/day)	MF28K Waste Mgmt Compartment	3 pkg 3 pkg <u>153</u> 306
Dry Wipes, Multi-Purpose (24/pkg) (21/cm/day)	Waste Mgmt Compartment VOL B (MA4D)	29 pkg 60 pkg <u>696</u> <u>1440</u> 2136
Elbow Bags	Waste Mgmt Compartment VOL B (MA4D)	16 <u>12</u> 28
Emesis Bags	Waste Mgmt Compartment VOL B (MA4D)	7 <u>13</u> 20
Gloves (50/pkg) (2/cm/day)	Waste Mgmt Compartment VOL B (MA4D) VOL G (Contingency)	2 pkg 1 pkg 1 pkg <u>100</u> 50 <u>50</u> 200
Gloves, Shoulder Length	VOL B (MA4D)	1 pkg 25
Prefilters, Conical	Waste Mgmt Compartment VOL B (MA4D)	20 <u>20</u> 40
Towel (1/cm/day)	Waste Mgmt Compartment MD Floor (STBD 1, Bag C) VOL B (MA4D) MF43M	36 40 2 <u>20</u> 98
Trash Bags (Coffee Can Bags) (10/pkg) (2/cm/day)	Waste Mgmt Compartment VOL B (MA4D)	10 pkg 10 pkg <u>100</u> 200

NOTE: The qty/day is based on 7 crewmembers and 14 days

10/09/07

FS 1-15

REF/120/FIN A

STS-120 CONSUMABLES (Cont)

<u>Item</u>	<u>Location</u>		<u>Total Qty</u>
Washcloth (2/cm/day)	Waste Mgmt Compartment VOL B (MA4D)		32 <u>164</u> 196
Wet Washes – (40/pkg) (12/cm/day for Hygiene)	Waste Mgmt Compartment VOL B (MA4D)	6 pkg 40 pkg	240 <u>1600</u> 1840

NOTE: The qty/day is based on 7 crewmembers and 14 days

10/09/07

FS 1-16

REF/120/FIN A

ALPHA-
BETIC

ALPHABETICAL STOWAGE

FS 2-1

REF/120/FIN A

**ALPHA-
BETIC**

ALPHABETICAL STOWAGE

<u>ITEM</u>	<u>QTY</u>	<u>LOCATION</u>	<u>NOTES</u>
A			
Access Point, PROXIM 7520 Assy		MA16G	
Accessories		MF57A	VOL A, Pantry Food
ACES Harness		MD CEILING	BAG F (Port 2), ACES Bag
ACES Suit		MD CEILING	BAG F (Port 2), ACES Bag
Acoustic Tip		ML60M	Ultrasonic Leak Detector
ACTEX	2	MA9L	
Actiwatch	7	MF57K	
Adapter		ML60M	Ultrasonic Leak Detector
Adapter, Bends Treatment (BTA)		MA16J	
Adapter, BNC Straight	2	ML60E	
Adapter, BNC-RCA	2	A17	PD100 Core Camcorder Bag
Adapter, BNC-RCA Phono	2	MF57M	Photo TV Stow-n-go CTB
Adapter, BNC-T	2	A17	PD100 Core Camcorder Bag
Adapter, Camera Plate Flex		MF57M	Photo TV Stow-n-go CTB
Adapter, Dash 2		MA9L	
Adapter, Ethernet PCMCIA w/Adapter Cable	4	ML60E	
Adapter, RCA Gender	2	MF57M	Photo TV Stow-n-go CTB
Adapter, RCA-BNC	2	A17	PD100 Core Camcorder Bag
Adapter, RS-422	8	MA16D/F	
Adapter, Stereo-to-Mono Audio		A17	DTV Camcorder Bag
Adapter, Yellow/Red		MA12B	Window Shade Bag, IFM CHCK Bag
Air Sample Bottle	2	MF28E	
Allen Driver, Ball-end 5/32		MF57E	
Antimicrobial Applicator		MD CEILING	BAG E (Port 1)
Antimicrobial Removal		MD CEILING	BAG E (Port 1)
APAS Hatch Tool		MF71M	Docking Mechanism Accessory Kit
10/09/07		FS 2-2	REF/120/FIN A

<u>ITEM</u>	<u>QTY</u>	<u>LOCATION</u>	<u>NOTES</u>
A (Cont)			
Audio Dosimeter		MA16J	
Audio Muting Plug		A17	PD100 Core Camcorder Bag
Audio Muting Plug		MA73J	VOL 3B
AVIU		A17	PD100 Core Camcorder Bag
AVIU		L10 UPPER	
AVIU	5	MF57M	Photo TV Stow-n-go CTB
B			
BAG A (Port 1)		MD FLOOR	
BAG B (Port 2)		MD FLOOR	
BAG C (Stbd 1)		MD FLOOR	
BAG D (Stbd 2)		MD FLOOR	
BAG E (Port 1)		MD CEILING	
BAG F (Port 2)		MD CEILING	
BAG G (Stbd 1)		MD CEILING	
BAG H (Stbd 2)		MD CEILING	
Bag, ACES		MD CEILING	BAG F (Port 2)
Bag, Apollo Fecal	40	MD80R	VOL G
Bag, Camera		A16	
Bag, Chemical Resistant	2	MF28E	
Bag, Crack Repair		MD CEILING	BAG G (Stbd 1)
Bag, DTV Camcorder		A17	
Bag, Elbow	12	MA4D	VOL B
Bag, Elbow	16	WMC	
Bag, Emesis	13	MA4D	VOL B
Bag, Emesis	7	WMC	
Bag, Helmet		MA16L	
10/09/07		FS 2-3	REF/120/FIN A

<u>ITEM</u>	<u>QTY</u>	<u>LOCATION</u>	<u>NOTES</u>
B (Cont)			
Bag, Helmet Stowage	2	MF57K	
Bag, IFM Cont Hose and Cable Kit		MA12B	Window Shade Bag
Bag, Inflight Stowage Restraint	10	MF28K	
Bag, Insuit Drink	2	MD CEILING	BAG E (Port 1)
Bag, Insuit Drink	14	MD FLOOR	BAG D (Stbd 2)
Bag, ISS Photo & Video Resupply		MD FLOOR	BAG B (Port 2)
Bag, Jettison Stowage	2	MD FLOOR	BAG C (Stbd 1)
Bag, Jettison Stowage		MD76M	VOL F
Bag, Jettison Stowage	5	MF28K	
Bag, Jettison Stowage	5	MF57K	
Bag, PD100 Core Camcorder		A17	
Bag, Trash EVA Large		MD FLOOR	BAG D (Stbd 2)
Bag, Vacuum Cleaner	4	ML60J	
Bag, Window Shade		MA12B	WINDOW SHADE BAG
BAL/UNBAL XFMR		A17	DTV Camcorder Bag
Batt Cap/Fuse Assy		MA16L	
Batt Charger, DCS		L10 UPPER	
Batt Charger, Li-ION		A17	PD100 Core Camcorder Bag
Batt Pack, CSA-CP	3	MF71M	CSA-CP Assy
Batt Pack, CSA-CP/CDM	6	MF57G	
Batt Pack, PD100		MF28K	
Batt, 9V	2	ML60M	Ultrasonic Leak Detector
Batt, AA	30	MA16J	
Batt, AA		MA16L	
Batt, AA	6	MD CEILING	BAG G (Stbd 1)
Batt, AAA	14	MA73J	VOL 3B
Batt, BPSMU	3	MA16L	
Batt, CSA Mon / CSA-CP		MF71G	
Batt, D Alkaline	12	MD FLOOR	BAG B (Port 2)
10/09/07		FS 2-4	REF/120/FIN A

<u>ITEM</u>	<u>QTY</u>	<u>LOCATION</u>	<u>NOTES</u>
B (Cont)			
Batt, EMU		A/L FLOOR BAG	
Batt, LIDAR	2	MA16L	
Batt, Li-ION	6	A17	PD100 Core Camcorder Bag
Batt, Li-ION	2, 1 installed	MA73J	VOL 3B
Batt, NiMH	2	A16	Camera Bag
Batt, NiMH	4	MA16J	
Batt, NiMH	2	MA73J	VOL 3B
Batt, Silver Oxide, 1.5V	2	A17	PD100 Core Camcorder Bag
Batt, TDR		MD CEILING	BAG E (Port 1)
Binoculars, 20X60S		A17	PD100 Core Camcorder Bag
Binoculars, 8X20 Opera		A17	PD100 Core Camcorder Bag
Blanket, CETA		MD FLOOR	BAG A (Port 1)
Board, PCCMU PCBoard, OCA PC Cards		MA16D/F	
Bolt, Attach		MD FLOOR	BAG A (Port 1), Mechanical Attach Body Assy
Boot	2	MD CEILING	BAG E (Port 1), EMU H/W CTB
Boot, ACES		MD CEILING	BAG F (Port 2), ACES Bag
BPSMU	2	MA16L	
Bracket, Base Multiuse		MF57M	Photo TV Stow-n-go CTB
Bracket, Clamp Multiuse	3	MF57M	Photo TV Stow-n-go CTB
Bracket, Flexible	3	MD FLOOR	BAG B (Port 2)
Bracket, HUD		A17	DTV Camcorder Bag, Mini-Cam (HUD Entry) Camera
Bracket, Lockline Flex		A17	PD100 Core Camcorder Bag
Bracket, Lockline Flex	2	MF57M	Photo TV Stow-n-go CTB
Bracket, Multiuse	3	A16	
Bracket, Multiuse		MF28K	
Bracket, Multiuse	3	MF57M	Photo TV Stow-n-go CTB
Braycote		MF71M	
Breaker Bar (Pallet Removal)		MF28E	
10/09/07		FS 2-5	REF/120/FIN A

<u>ITEM</u>	<u>QTY</u>	<u>LOCATION</u>	<u>NOTES</u>
B (Cont)			
Breakout Box		MF28E	
Bungee	2	A16	Pilot Hand Controller
Bungee, Adjustable	7	MF57K	
Bushing		MD CEILING	BAG F (Port 2), RSK 6

<u>ITEM</u>	<u>QTY</u>	<u>LOCATION</u>	<u>NOTES</u>
C			
Cable Assy, Shutter Release w/Extension		A16	Camera Bag
Cable, A to N	2	MD CEILING	BAG E (Port 1)
Cable, A31p DC Pwr, 10 ft	2	ML60E	
Cable, A31p Dock DC Pwr, 10 ft		ML60E	
Cable, A31p Pwr		MD CEILING	BAG E (Port 1)
Cable, A31p Video Adapter		ML60E	
Cable, AC Ext, 20 ft		ML60E	
Cable, AC Pwr Cont Transfer, 15 ft		MA12B	Window Shade Bag, IFM CHCK Bag
Cable, AC Pwr, 20 ft		ML60J	
Cable, AC W		ML60J	
Cable, ATU Recorder		A17	DTV Camcorder Bag
Cable, AVIU Video		MF57M	Photo TV Stow-n-go CTB
Cable, AVIU Video w/BNC Adapter		A17	PD100 Core Camcorder Bag
Cable, Balance Video	2	MF57M	Photo TV Stow-n-go CTB
Cable, Balanced Video		A17	DTV Camcorder Bag
Cable, Biomed	2	MF28H	
Cable, BNC Video		A17	DTV Camcorder Bag
Cable, BPSMU AVIU Patch		A17	PD100 Core Camcorder Bag
Cable, BPSMU/CCU Adapter	2	MA16L	
Cable, CCTV Cabin, 20 ft		ML60B	
Cable, Comm 14 ft		MF57K	Comm Kit

10/09/07

FS 2-6

REF/120/FIN A

<u>ITEM</u>	<u>QTY</u>	<u>LOCATION</u>	<u>NOTES</u>
C (Cont)			
Cable, Comm 4 ft		MF57K	Comm Kit
Cable, DC Harness, 24 ft	2	MA12B	Window Shade Bag, IFM CHCK Bag
Cable, DC Pigtail Connector	2	MA12B	Window Shade Bag, IFM CHCK Bag
Cable, DC Pwr, 20 ft		ML60J	
Cable, DCS 28V DC Pwr, 6 ft		L10 UPPER	
Cable, DCS 7V DC Pwr, 15 ft		L10 UPPER	
Cable, Digital Camcorder Video/Pwr		A17	PD100 Core Camcorder Bag
Cable, Digital CC Vid/Pwr, 15 ft		L10 UPPER	
Cable, Digital CC Video Pwr	5	MF57M	Photo TV Stow-n-go CTB
Cable, DTV IEEE 1394 Batt Adapter		A17	DTV Camcorder Bag
Cable, DTV IEEE 1394 to Female		A17	DTV Camcorder Bag
Cable, DTV IEEE 1394 to Male		A17	DTV Camcorder Bag
Cable, Ethernet, 25 ft	2	ML60E	
Cable, Ethernet, 3 ft	2	ML60E	
Cable, Ethernet, 3 ft		ML60J	
Cable, Fuel Cell		A16	Camera Bag
Cable, Headset Extension	2	MD CEILING	BAG E (Port 1)
Cable, IEEE 1394 4-Pin Firewire		A17	PD100 Core Camcorder Bag
Cable, IEEE 1394 Crew Cabin		A17	DTV Camcorder Bag
Cable, IEEE 1394, 15 ft		A17	DTV Camcorder Bag
Cable, IFM Remote Control		MA12B	Window Shade Bag, IFM CHCK Bag
Cable, Monitor to VIU/CM		A17	DTV Camcorder Bag
Cable, OCA I/F		MD FLOOR	BAG B (Port 2)
Cable, OCA I/F, 25 ft		ML60E	
Cable, OPP to LCS RJ45, 20 ft		ML60E	
Cable, Parallel Data, 25 ft		ML60J	
Cable, PCMCIA to WIB-Remote		A17	PD100 Core Camcorder Bag
Cable, PCMMU Fuel Cell		A16	
Cable, PCMMU Fuel Cell		ML60E	
10/09/07		FS 2-7	REF/120/FIN A

<u>ITEM</u>	<u>QTY</u>	<u>LOCATION</u>	<u>NOTES</u>
C (Cont)			
Cable, PCMMU, 24 ft		ML60E	
Cable, PCS-PDIP 1553 Orbiter		MA16G	
Cable, PD100 A/V Adapter		A17	PD100 Core Camcorder Bag
Cable, PD100 A/V Adapter		MF57M	Photo TV Stow-n-go CTB
Cable, PDIP RS-422 Y Data, 24 ft		ML60E	
Cable, PGSC DC Pwr, 10 ft (PILOT)		ML60E	
Cable, PGSC DC Pwr, 25 ft		ML60E	
Cable, PGSC DC Pwr, 6 ft (PILOT)		ML60E	
Cable, PILOT RS-232 Pwr/Data Y		A16	Pilot Hand Controller
Cable, RCA-RCA	2	A17	PD100 Core Camcorder Bag
Cable, RS-232 HHL Data	2	MA16L	
Cable, RS-232 PGSC		ML60B	
Cable, RS-232 Y, 15 ft		MA16G	
Cable, RS-422 Extension, 10 ft		MA16D/F	
Cable, RS-422 Y, 15 ft		ML60E	
Cable, S-Band Modem, 25 ft		ML60E	
Cable, SSV to PDIP/CIP		MA16L	
Cable, S-Video A31p		A17	PD100 Core Camcorder Bag
Cable, TV Controller/CIP		ML60B	
Cable, TV Controller/CTVM		ML60B	
Cable, Video IN/OUT		A17	PD100 Core Camcorder Bag
Cable, VIU LCD 20 ft		A17	DTV Camcorder Bag, Mini-Cam (HUD Entry) Camera
Cable, VIU LCD, 20 ft		MA73J	VOL 3B
Cable, VIU/CM-CC Video 15 ft	4	MF57M	Photo TV Stow-n-go CTB
Cable, VIU/CM-CC Video, 15 ft		A17	PD100 Core Camcorder Bag
Cable, VLHS to VTS I/F	2	ML60E	
Cable, VPU Patch		A17	PD100 Core Camcorder Bag
Cable, Y-C		A17	PD100 Core Camcorder Bag
10/09/07		FS 2-8	REF/120/FIN A

<u>ITEM</u>	<u>QTY</u>	<u>LOCATION</u>	<u>NOTES</u>
C (Cont)			
CAFRAMO Fan	3	MD FLOOR	BAG B (Port 2)
Camcorder, PD100 w/Tape		A17	PD100 Core Camcorder Bag
Camcorder, PD100 w/Tape		MA73J	VOL 3B
Camera Assy, Ultraport A31p	2	MA16G	
Camera Mount, EVA Digital		A/L FLOOR BAG	
Camera, Centerline (Backup)		ML60M	
Camera, Centerline (Prime)		ML60B	
Camera, DCS 760 w/Card		MA16J	
Camera, DCS 760 w/Card		MA73J	VOL 3B
Camera, Mini-Cam (HUD Entry)		A17	DTV Camcorder Bag
Camera, Mini-Cam (Window 3)		A17	DTV Camcorder Bag
Canister, ATCO		MD52M	LiOH VOL
Canister, LiOH	29	MD52M	LiOH VOL
Canister, WCS (Coffee Can)		MF28K	
Cap, V-Flang IMV	2	MD FLOOR	BAG B (Port 2)
Card, DCS 760	7	A16	Camera Bag
Card, PCMCIA, 1 GB		MA73J	VOL 3B, DCS 760 w/Card Camera
Card, PCS MIL-STD-1533	2	MA16G	
Carrier, EVA OIH	2	MD FLOOR	BAG D (Stbd 2)
Cartridge Assy, Manual Crack Gun	9	MA9G	Double Cold Bag
Cartridge, Ink Printer	2	ML60J	
CCA		MD FLOOR	BAG C (Stbd 1)
CCA, EMU	2	MD CEILING	BAG E (Port 1), EMU H/W CTB
CCC	2	MD CEILING	BAG E (Port 1)
CCC		MD CEILING	BAG G (Stbd 1)
CDM Assy		MF57G	
Chair, NADA	2	MD FLOOR	BAG B (Port 2)
Chem Lights, Green	27	MA9N	
Chem Lights, Red	28	MA9N	
10/09/07		FS 2-9	REF/120/FIN A

<u>ITEM</u>	<u>QTY</u>	<u>LOCATION</u>	<u>NOTES</u>
C (Cont)			
CIPAA Containment Bag		MA9D/F	
Clamp, Hose Band		MD FLOOR	BAG B (Port 2)
Clamp, IMV-Band		MF71G	
Clamp, Various Sizes	14	MA12B	Window Shade Bag, IFM CHCK Bag
Clamp, V-Band		MD FLOOR	BAG B (Port 2)
Cleaning Solution		A16	Camera Bag
Clip, Retainer	26	MF71G	
Cloth Wipes		MF71M	Docking Mechanism Accessory Kit
Clothing, 1st Day	7	WMC	
Clothing, CDR		MF43E	
Clothing, Crew		MF57K	
Clothing, Crew		MF57O	
Clothing, Entry		MF71K	
Clothing, MS1		MF43H	
Clothing, MS2		MF71H	
Clothing, MS3		MF43O	
Clothing, MS4		MF71O	
Clothing, MS5 Dn		MA16N	
Clothing, MS5 Up		MA16N	
Clothing, PLT		MF71E	
COAS, Filter, NI-CR		MA16J	
COAX Cable Torque Adapter	2	MA9D/F	
Computer Desk, Inflight	3	A16	
Computer Desk, Inflight	2	MF57M	Photo TV Stow-n-go CTB
Concentrator		ML60M	Ultrasonic Leak Detector
Container, Sharps		MF28H	
Containment Control Cartridge	6	A/L FLOOR BAG	
Converter, IVA 1394	2	A17	DTV Camcorder Bag
Coupler, TWINAX	2	A17	PD100 Core Camcorder Bag
10/09/07		FS 2-10	REF/120/FIN A

<u>ITEM</u>	<u>QTY</u>	<u>LOCATION</u>	<u>NOTES</u>
C (Cont)			
Cover, HUD	2	MF28K	
Cover, Lower Arm Wrist	6	MD FLOOR	BAG A (Port 1)
Cover, Parachute	3	MF28K	
Cover, Switch Guard		MF28K	
Crack Repair Pallet Assy	2	A/L FLOOR BAG	
Crew Care Pkg		MF71K	
Crew Support		MA9J	
CSA-02	2	MF71G	
CSA-CP		MF57E	
CSA-CP	4	MF71G	
CSA-CP Assy		MF71M	
CTB, EMU H/W		MD CEILING	BAG E (Port 1)
CTB, Photo TV Stow-n-go		MF57M	
CTB, Tools/PIVT		MD FLOOR	BAG D (Stbd 2)
CUCD, Male	54	MD80R	VOL G
CWC	2	MD80R	VOL G
CWC, Condensate Collection		MF71M	
D			
Desiccant Bag Assy	3	MD FLOOR	BAG B (Port 2)
Docking Station, A31p		MD CEILING	BAG E (Port 1)
Double Cold Bag		MA9G	
Drive, 3/8 in Triple Square M5		MD CEILING	BAG E (Port 1)
Dry Wipe		A16	Camera Bag
Dry Wipes, Multi-Purpose	60 pkg	MA4D	VOL B
Dry Wipes, Multi-Purpose	29 pkg	WMC	
DTV w/Tape		L10 LOWER	
10/09/07	FS 2-11		REF/120/FIN A

<u>ITEM</u>	<u>QTY</u>	<u>LOCATION</u>	<u>NOTES</u>
D (Cont)			
DTV, MUX Spare		MA9D/F	
DTV, VIP Spare		MA9D/F	
Dual Port PCMCIA RS-422	5	MA16D/F	PCCMU PCBoard, OCA PC Cards Board
Duxseal		MF28E	
E			
Eating Utensils		MF57A	VOL A, Pantry Food
Electrical Schematic Headset Control Unit	2	MD CEILING	BAG E (Port 1)
EMU – EV1 (see EVA C/L)		EXTERNAL	STBD
		AIRLOCK	
EMU – EV2 (see EVA C/L)		EXTERNAL	PORT
		AIRLOCK	
Ethernet PCMCIA w/Adapter Cable	3	MA16D/F	PCCMU PCBoard, OCA PC Cards Board
Ethernet T-Connector	2	ML60E	
Ethernet Terminator		ML60E	
Ethernet, T-Connector		ML60J	
EUCPD	3	MF43G	
EWIS, Network Control Unit Assy		MF57E	
Expansion Unit, OCA		MA16D/F	
Expansion Unit, PCMMU	2	MA16D/F	
Extension, 4 in		MF28E	
F			
FDF		C4A	
FDF		C4F	
FDF		MF57C	
10/09/07		FS 2-12	REF/120/FIN A

<u>ITEM</u>	<u>QTY</u>	<u>LOCATION</u>	<u>NOTES</u>
F (Cont)			
FDF		R3A	
FDF		R3F	
Feeler Gauge	4	ML60B	
Fiberscope Light Source		MA9N	
Fiberscope, Video		MA9N	
Film, 35mm	27	A16	Camera Bag
Film, 35mm	27	A17	DTV Camcorder Bag
Filter, CDM	2	MF57G	
Filter, Microbe (Spare)		MA9L	
Filter, OBF		MD80R	VOL G
Filter, Polarizing Modified		A16	Camera Bag
Filter, Wand Extender Assy		MA12B	Window Shade Bag, IFM CHCK Bag, Water Equipment Assy
Filter, Waste Water Dump		MF28E	
Filter, Window UV		MF28K	
Flang, V-Band Coupling Duct Extension		MD FLOOR	BAG B (Port 2)
Flash		MA73J	VOL 3B
Flash Assy w/Batt		A16	Camera Bag
Flow Shutoff Valve	2	MD CEILING	BAG G (Stbd 1)
Food, Fresh		MF14E	
Food, Fresh		MF14G	
Food, Menu		MF14G	
Food, Menu		MF14H	
Food, Menu		MF14K	
Food, Menu		MF14M	
Food, Menu		MF14O	
Food, Menu		MF28M	
Food, Menu		MF28O	
Food, Pantry		MF57A	VOL A
10/09/07		FS 2-13	REF/120/FIN A

<u>ITEM</u>	<u>QTY</u>	<u>LOCATION</u>	<u>NOTES</u>
F (Cont)			
FRED		MF43M	
FRTL-5 Pouch		MF57G	
G			
Galley Needle (Spare)		MA12B	Window Shade Bag, IFM CHCK Bag, Water Equipment Assy
Gel Brush Kit, Full		MD CEILING	BAG G (Stbd 1)
Gel Brush Kit, Half		MD CEILING	BAG G (Stbd 1)
Gloves	1 pkg	MA4D	VOL B
Gloves	1 pkg	MD80R	VOL G
Gloves	2 pkg	WMC	
Gloves, ACES		MD CEILING	BAG F (Port 2), ACES Bag
Gloves, Clean Room		MA12B	Window Shade Bag, IFM CHCK Bag
Gloves, EMU	2 pr	MD CEILING	BAG E (Port 1), EMU H/W CTB
Gloves, EMU	3 pr	MD FLOOR	BAG A (Port 1)
Gloves, EMU	2 pr	MD FLOOR	BAG C (Stbd 1)
Gloves, Nitrile		MD CEILING	BAG E (Port 1)
Gloves, Nitrile	40	MD52M	LiOH VOL
Gloves, Shoulder length	1 pkg	MA4D	VOL B
G-Suit		MD CEILING	BAG F (Port 2), ACES Bag
G-Suit	6	MD52M	LiOH VOL
Gun, Manual Crack Repair	2	MD CEILING	BAG G (Stbd 1)
Gyro Parts		MF71G	

10/09/07

FS 2-14

REF/120/FIN A

<u>ITEM</u>	<u>QTY</u>	<u>LOCATION</u>	<u>NOTES</u>
H			
Handrail, OIH Assy 12"	2	MD FLOOR	BAG D (Stbd 2)
Handrail, OIH Assy 18.9"	2	MD FLOOR	BAG D (Stbd 2)
Handrail, OIH Assy 24"	7	MD FLOOR	BAG D (Stbd 2)
Hard Drive, 60 GB A31p		MA16G	
Harness, Camera (Backup)		ML60M	
Harness, Camera (Prime)		ML60B	
Head Rest		MD CEILING	BAG F (Port 2), RSK 6
Headphones		A17	PD100 Core Camcorder Bag
Headset	2	MD CEILING	BAG E (Port 1)
Headset		ML60M	Ultrasonic Leak Detector
HOBO Data Logger	3	MA9G	Double Cold Bag
Hose, 1/4 in (6 ft)		MA12B	Window Shade Bag, IFM CHCK Bag
Hose, 3/8 in (6 ft)		MA12B	Window Shade Bag, IFM CHCK Bag
Hose, ACTEX		MA9L	
Hose, Cont Blue/Blue		MA12B	Window Shade Bag, IFM CHCK Bag
Hose, Cont Red/Red		MA12B	Window Shade Bag, IFM CHCK Bag
Hose, Cont Yellow/Yellow		MA12B	Window Shade Bag, IFM CHCK Bag
Hose, CWC Contingency		MA12B	Window Shade Bag, IFM CHCK Bag
Hose, Filter Hose Assy		MA9L	
Hose, O2 Contingency		MA12B	Window Shade Bag, IFM CHCK Bag
Hose, Personal Hygiene		MF28K	
Hose, WCS Canister		MF28K	
Hose, Y-Y 8 ft		MF71M	

10/09/07

FS 2-15

REF/120/FIN A

<u>ITEM</u>	<u>QTY</u>	<u>LOCATION</u>	<u>NOTES</u>	
I				
Icepack Assy	7	MA9G	Double Cold Bag	
ICU Bracket	2	MD CEILING	BAG F (Port 2), RSK 6	
ICU Strap		MD CEILING	BAG F (Port 2), RSK 6	
IELK (Tani)		MD CEILING	BAG H (Stbd 2)	
IFM Fastener Retainer Cushion		MF28E		
IFM Tools		MF28G		
IMAK		MF71G		
INBOARD – See EVA C/L		MD23R	VOL H	
ISS Running Shoes		MD CEILING	BAG H (Stbd 2)	
K				
Kit, Ammonia Detection	3	MD FLOOR	BAG A (Port 1)	
Kit, Blood Collection		MD76M	VOL F	
Kit, Blood Collection		MF57G		
Kit, Comm		MF57K		
Kit, Contaminant Cleanup		MA9N		
Kit, Contamination Detection (CDK)		MD FLOOR	BAG B (Port 2)	
Kit, Coolant Quality Monitoring		MD FLOOR	BAG B (Port 2)	
Kit, Defib Resupply		MF71G		
Kit, Docking Mechanism Accessory		MF71M		
Kit, Dosimeter		MF28H		
Kit, DTV MUX Fuse (5-5A, 3-2A)		A17	DTV Camcorder Bag	
Kit, Electrode		MF28H		
Kit, Emittance Wash Applicator		2	MD CEILING	BAG G (Stbd 1)
Kit, EMU Comfort Patch			MD FLOOR	BAG C (Stbd 1)
Kit, EVA Crew Options (ECOK)		MD FLOOR	BAG C (Stbd 1)	
Kit, Fiber Optics Cleaning		MF57H		
10/09/07	FS 2-16		REF/120/FIN A	

<u>ITEM</u>	<u>QTY</u>	<u>LOCATION</u>	<u>NOTES</u>
K (Cont)			
Kit, Fluid Loading	2	MA9N	
Kit, Foam Applicator	2	MF28E	
Kit, ISS PCBA Cartridge		MF71G	
Kit, Medical Accessory		MF28H	
Kit, Medical Accessory		MF57G	
Kit, Minerals H2O XFER		MF43G	
Kit, Operational Bioinstrumentation System		MF28H	
Kit, Personal Hygiene (PHK)	6	MA9N	
Kit, RMS D&C IFM		MF28E	
Kit, Saliva Collection	2	MD76M	VOL F
Kit, Saliva Collection		MF57G	
Kit, Saliva Collection w/Log	6	MF57G	
Kit, Sample Purge H2O XFER		MF43G	
Kit, Silver Biocide		MF43G	
Kit, SSV Fuse		MA16L	
Kit, Urine Collection	4	MD76M	VOL F
Knobs	2	MF43M	FRED
L			
Label Maker		MF43G	
LCG, Shirt		MD CEILING	BAG F (Port 2), ACES Bag
LCVG	2	MD CEILING	BAG E (Port 1), EMU H/W CTB
LCVG		MD FLOOR	BAG A (Port 1)
LCVG		MD FLOOR	BAG C (Stbd 1)
LCVG w/Biomed		MD FLOOR	BAG C (Stbd 1)
Leak Detector, Ultrasonic		ML60M	
Leg Assy		MD CEILING	BAG E (Port 1), EMU H/W CTB
10/09/07	FS 2-17		REF/120/FIN A

<u>ITEM</u>	<u>QTY</u>	<u>LOCATION</u>	<u>NOTES</u>
L (Cont)			
Leg Assy	2	MD FLOOR	BAG C (Stbd 1)
Leg Bar Assy, FRED		A16	
Caps, Lens	3	A16	Camera Bag
Lens, 12mm		A17	DTV Camcorder Bag, Mini-Cam (HUD Entry) Camera
Lens, 12mm		A17	DTV Camcorder Bag, Mini-Cam (Window 3) Camera
Lens, 16mm		A16	Camera Bag
Lens, 17-35mm		A16	Camera Bag
Lens, 28-70mm		MA73J	VOL 3B
Lens, 28mm		A16	Camera Bag
Lens, 400mm		MA73J	VOL 3B
Lens, 50mm		A16	Camera Bag
Lens, 6mm		A17	DTV Camcorder Bag, Mini-Cam (Window 3) Camera
Lens, 80-200mm		A16	Camera Bag
Lens, 8mm Fisheye		A17	DTV Camcorder Bag
Lens, PD100 Wide Conversion		MF57M	Photo TV Stow-n-go CTB
Lens, Wide Angle PD100		MF28K	
LIDAR		MA16L	
LIDAR w/Nightscope		MA16L	
Light Shade	2	MA16J	
Lower Arm, 12V	2	MD CEILING	BAG E (Port 1), EMU H/W CTB
Lower Torso Assy, Enhanced (LTA)		MD FLOOR	BAG C (Stbd 1)
Lubricant		MF28E	

10/09/07

FS 2-18

REF/120/FIN A

<u>ITEM</u>	<u>QTY</u>	<u>LOCATION</u>	<u>NOTES</u>
M			
Mask, Surgical Filter	20	MD52M	LiOH VOL
Mech Attach Body		MD FLOOR	BAG A (Port 1), Mechanical Attach Body Assy
Mechanical Attach Body Assy	4	MD FLOOR	BAG A (Port 1)
Mic, Handheld	3	MF57K	Comm Kit
Microbial Check Valve		MA9L	
Microphone w/Batt		A17	PD100 Core Camcorder Bag
Mirror, EMU Wrist	6	MD CEILING	BAG E (Port 1), EMU H/W CTB
Mirror, Personal Hygiene	2	MF28K	
MLI Blanket Keel Pin		MF57H	
Monitor, LCD w/Batts		MA73J	VOL 3B
Mount Assy		MF43M	FRED
Mounting Strip Assy	4	A/L FLOOR BAG	
MountZ, Torque Screwdriver		MD CEILING	BAG E (Port 1)
MSG Inspace Assy		MF71G	
Multiplexer, Downlink Data		MA9D/F	
Multi-Purpose CIPAA Sack Assy	2	MA9D/F	
MWS	2	A/L FLOOR BAG	
MWS RH Swingarm		MD CEILING	BAG G (Stbd 1)
MWS Tool Stowage Caddy		MD CEILING	BAG G (Stbd 1)
N			
Nomex Bag, Spore		MF57G	
Nut, Cap		MF71G	Gyro Parts
Nut, T-Bar Barrel		MD FLOOR	BAG A (Port 1), Mechanical Attach Body Assy

10/09/07

FS 2-19

REF/120/FIN A

<u>ITEM</u>	<u>QTY</u>	<u>LOCATION</u>	<u>NOTES</u>
O			
O2 Bleed Orifice		MF57K	PIP Pin Assy
OCAC		MA73J	VOL 3B
OFK/PPK		MD76C	VOL E
OIU		L11	
Orbit Installed GAP Spanner	11	MF57H	
Orbiter FDF		MF43C	
O-Ring	4	MD FLOOR	BAG B (Port 2)
O-Ring Viton		MF57K	PIP Pin Assy
O-Ring, Bore seal	2	MF71M	
O-Ring, Face seal	2	MF71M	
OUTBOARD – See EVA C/L		MD23R	VOL H
OWIF Socket Assy	3	MF57H	
P			
Pad, Foot	2	MF43M	FRED
Pad, Knee	2	MF43M	FRED
Panel Cover, A8, Fastener	6	MA12B	Window Shade Bag
Panel Cover, A8, Lower		MA12B	Window Shade Bag
Panel Cover, A8, Upper		MA12B	Window Shade Bag
Panel Cover, R2, Elastic Tie Down		MA12B	Window Shade Bag
Panel Cover, R2, Snap Tie	2	MA12B	Window Shade Bag
Panel Cover, R2, Standoff	5	MA12B	Window Shade Bag
Panel Cover, R2, Stiffener	2	MA12B	Window Shade Bag
Paper, Color Print/6 hole	2	ML60J	
Paper, Color Printer/6 hole		MF43G	
PC RANGELAN2 7400	6	MA16D/F	PCCMU PCBoard, OCA PC Cards Board
PC/OCA Writable Assy		MA16G	
10/09/07		FS 2-20	REF/120/FIN A

<u>ITEM</u>	<u>QTY</u>	<u>LOCATION</u>	<u>NOTES</u>
P (Cont)			
PCBA Bag	2	MF71G	
PCMCIA Case, CD Stowage		MA16G	
PCS A31p		MA16G	
PDIP 1		L12	
PDIP 2		L11	
Petri Dish	5	MF71G	
PGSC, 760XD – OCA Router		ML60E	
PGSC, STS-1 OCA Router		MA16D/F	
PGSC, STS-2 WINDECOM		MA16D/F	
PGSC, STS-3 – KFX		ML60E	
PGSC, STS-4 – RPOP		ML60E	
PGSC, STS-5 – RPOP2		ML60E	
PGSC, STS-6 – WLES		ML60E	
PHK, Community		MA9N	
Photo Floodlight		MA16J	
PILOT Hand Controller		A16	
PIP Pin	12	MF57K	PIP Pin Assy
PIP Pin, Assy		MF57K	
PIP Pin, Egress Pole/Spare		MF57K	PIP Pin Assy
Plug, RCC Universal Repair		MF71G	
Powered Bolt Assy	2	MD CEILING	BAG G (Stbd 1)
Prefilter, Conical	20	MA4D	VOL B
Prefilter, Conical	20	WMC	
Printer, Color		ML60J	
Probe, Extension	3	ML60M	Ultrasonic Leak Detector
Protective Cover	14	MD CEILING	BAG E (Port 1), EMU H/W CTB
Protective Cover Wireway	3	MA12B	Window Shade Bag, IFM CHCK Bag
Protective Cover, Brief/Waist Body Seal Closure		MD FLOOR	BAG C (Stbd 1)
10/09/07		FS 2-21	REF/120/FIN A

<u>ITEM</u>	<u>QTY</u>	<u>LOCATION</u>	<u>NOTES</u>
P (Cont)			
Protective Cover, Lower Arm Wrist Disconnect	4	MD FLOOR	BAG C (Stbd 1)
Protective Cover, LWR ARM Boot, LWR LEG FAR	2	MD FLOOR	BAG C (Stbd 1)
Protective Cover, Thigh Brief, Upper Leg FAR	4	MD FLOOR	BAG C (Stbd 1)
Pry Bar, Window 8		A17	
Pull-Ups	24	MD80R	VOL G
Pwr Supplies, 28VDC		MA16G	
Pwr Supplies, DC		MA16G	
Pwr Supply, 28VDC	2	MA16D/F	
Pwr Supply, DC		MA16D/F	
Pwr Supply, PGSC	5	ML60E	
PWR, ITCS Fluid		MF43K	
Q			
Quick Don Mask	4	A17	
Quick Don Mask	3	MA73J	VOL 3B
R			
RCC CRM Scrapper, 2 in Stiff	4	MD CEILING	BAG G (Stbd 1)
RCC CRM Scrapper, 5 in Wide	2	MD CEILING	BAG G (Stbd 1)
RCC Leading Edge Special Wrench		MA9D/F	
Receiver		ML60M	Ultrasonic Leak Detector
Receiver WLE	2	MA16D/F	
Recorder, V10 w/Tape	4	MF57M	Photo TV Stow-n-go CTB
Relay	3	MA16D/F	
Remote Sensor Unit		MD FLOOR	BAG D (Stbd 2)
10/09/07	FS 2-22		REF/120/FIN A

<u>ITEM</u>	<u>QTY</u>	<u>LOCATION</u>	<u>NOTES</u>
R (Cont)			
Remote, DTV	2	MF57M	Photo TV Stow-n-go CTB
Restraint	4	MF28H	
Restraint, Foot Loop (Spare)	6	MA9N	
Restraint, Seat (Spare)	2	MA9N	
Right Angle Drive		MF57E	
Rope, Wire		MF71G	Gyro Parts
RPCM, Type II		MF57E	
RPCM, Type V		MF57E	
RSK 6		MD CEILING	BAG F (Port 2)
Ruler and Protuberance Gauge		MD CEILING	BAG G (Stbd 1)

S			
Safer		A/L FLOOR BAG	
Saline	2	MF28H	
Sampling Pump		MF71M	CSA-CP Assy
Sampling Pump Filter		MF71M	CSA-CP Assy
Scraper Tool		WMC	
Screw/Washer Assy (Centerline Camera)		ML60B	
Screws		MF71G	Gyro Parts
Separator, Water/Gas	2	MA12B	Window Shade Bag, IFM CHCK Bag, Water Equipment Assy
Shade, CCTV Monitor	2	MA12B	Window Shade Bag
Shaft, Foot		MF43M	FRED
Shaft, Knee		MF43M	FRED
Shaft, Leg Bar		MF43M	FRED
Shuttle Emergency Eye Wash		MF28K	
Side Hatch Locking Device		MF28K	

10/09/07

FS 2-23

REF/120/FIN A

<u>ITEM</u>	<u>QTY</u>	<u>LOCATION</u>	<u>NOTES</u>
S (Cont)			
Sizing Ring	2	MD CEILING	BAG E (Port 1), EMU H/W CTB
SODF		MF57C	
SODF		MF71C	
SOMS Resuscitator		MF43G	
SPAS/OPP/OBSS		R12	
Spot Beam Reflector	5	MF57E	
Spotlight		MA73J	VOL 3B
SSP 1/SSP 2		L12	
SSV Compression Encoder		MA16L	
Stamp, Angle		MD FLOOR	BAG A (Port 1)
Subpack, Airway		MF28H	
Subpack, Drug		MF28H	
Subpack, EENT		MF28H	
Subpack, IV Administration		MF28H	
Subpack, Saline Supply		MF28H	
Subpack, Trauma		MF28H	
SUPA Hose	14	MF71M	
SUPA Hose		WMC	
Supply Water Dump Line Purge Assy		MA12B	Window Shade Bag, IFM CHCK Bag, Water Equipment Assy
T			
Tape, Digital Video	60	A17	PD100 Core Camcorder Bag
Tape, Digital Video	117	L10 UPPER	
Tape, Digital Video		MF28K	
Tape, Digital Video	25	MF57M	Photo TV Stow-n-go CTB
Tape, Gray 1"		MF28K	
10/09/07	FS 2-24		REF/120/FIN A

<u>ITEM</u>	<u>QTY</u>	<u>LOCATION</u>	<u>NOTES</u>
T (Cont)			
Tape, Gray 2"		MF28K	
Tape, Gray 2"		MF57K	
Tape, Labeling 1/2"	4	MF43G	
Tape, Labeling 3/4"	4	MF43G	
Tape, Sony Video	14	L10 UPPER	
Template Mount Assy	2	A/L FLOOR BAG	
Tether, Adjustable Equipment	4	A/L FLOOR BAG	
Tether, Equipment	29	MD FLOOR	BAG D (Stbd 2)
Tether, Extension	2	MD CEILING	BAG G (Stbd 1)
Tether, Safety, 85 ft	2	A/L FLOOR BAG	
Tether, Wrist	4	MD FLOOR	BAG A (Port 1)
Thermal Blanket, EVA		A16	Camera Bag
Thermal Blanket, EVA Camera		A/L FLOOR BAG	
Thermal Sensor, EVA		MD CEILING	BAG G (Stbd 1)
Tie Wrap	10	A16	Pilot Hand Controller
Tie Wrap, 14 in		A17	DTV Camcorder Bag, Mini-Cam (HUD Entry) Camera
Tool, Cabin Fan Filter		ML60J	Vacuum Cleaner
Tool, Crevice		ML60J	Vacuum Cleaner
Tool, DDU Filter Flex Modular		ML60J	Vacuum Cleaner
Tool, Flex Hose/Suction Hose		ML60J	Vacuum Cleaner
Tool, Hose Adapter		ML60J	Vacuum Cleaner
Towel	2	MA4D	VOL B
Towel	40	MD FLOOR	BAG C (Stbd 1)
Towel	20	MF43M	
Towel		MF71M	
Towel	36	WMC	
T-RAD Assy		MA9D/F	
Transmitter		ML60M	Ultrasonic Leak Detector
10/09/07		FS 2-25	REF/120/FIN A

<u>ITEM</u>	<u>QTY</u>	<u>LOCATION</u>	<u>NOTES</u>
T (Cont)			
Trash Bag, Aux Wet		WMC	
Trash Bag, Coffee Can	10 pkg	MA4D	VOL B
Trash Bag, Coffee Can	10 pkg	WMC	
Trash Bag, Wet		MD76M	VOL F
Trash Bag, WMC (Spare)		MA9N	
Tray, Color Printer	2	MA9L	
TRI Port PCMCIA RS-422	2	MA16D/F	PCCMU PCBoard, OCA PC Cards Board
Trunion Blanket	4	MF57H	
Turnbuckle	3	MF28E	
TVCU		ML60B	

U			
Urinal Funnel, Female Oblong		WMC	
Urinal Funnel, Female Round	2	WMC	
Urinal Funnel, Male	6	WMC	

V			
Vacuum Cleaner		ML60J	
Viewfinder, EVA		A16	Camera Bag
VLHS	2	MF57K	Comm Kit
VPU		R12	
VPU Plug		L10 UPPER	
VTR, Sony DSR-25		MA9D/F	

10/09/07

FS 2-26

REF/120/FIN A

<u>ITEM</u>	<u>QTY</u>	<u>LOCATION</u>	<u>NOTES</u>
W			
Wash Cloth		ML60J	
Washcloth	164	MA4D	VOL B
Washcloth	32	WMC	
Washers		MF71G	Gyro Parts
Water Dispenser, Contingency		MA12B	Window Shade Bag, IFM CHCK Bag, Water Equipment Assy
Water Equipment Assy		MA12B	Window Shade Bag, IFM CHCK Bag
WCS Tool		WMC	
Wet Wash	40 pkg	MA4D	VOL B
Wet Wash	6 pkg	WMC	
Window Shade, Ovhd	2	MA12B	Window Shade Bag
Wipe, Disinfectant	3 pkg	MF28K	
Wipe, Disinfectant	3 pkg	WMC	
Wipe, EVA	5	MD CEILING	BAG G (Stbd 1)
Wire Harness	4	MF57H	
Wire Ties, 16 in	99	MD FLOOR	BAG C (Stbd 1)
Wire Ties, 32 in	18	MD FLOOR	BAG C (Stbd 1)
Z			
Zero Filter Assy		MF71M	CSA-CP Assy
Ziplock Bag, 12x12	9	MF57K	
Ziplock Bag, 13x18	8	MD80R	VOL G
Ziplock Bag, 8x8	20	MF57K	
Ziplock, 13x18	15	A17	DTV Camcorder Bag
Ziplock, 13x18	7	MA4D	VOL B
Ziplocks, Node 2 Bolts (Tani)		MD FLOOR	BAG C (Stbd 1)

10/09/07

FS 2-27

REF/120/FIN A

┌

—

┐

—

This Page Intentionally Blank

10/09/07

FS 2-28

REF/120/FIN A

—

└

—

└

FDF DOCUMENTATION STOWAGE

LAUNCH CONFIG – LOCKER..... FS 3-2
– ALPHABETICAL..... FS 3-3

FDF

FS 3-1

REF/120/FIN A

FDF

**LAUNCH CONFIG – LOCKER
(EXCLUDES “CARRY-ON” ITEMS)**

R3A

Data Card Kit
ASC Data Cards
DEORB and ENT Data
Cards
ORBIT Data Cards/
P/TV Cue Cards

R3F

ENT
ENT PKT
ORB PKT
POST INSERTION
SYS AOA

C4A

FDF Accessory Kit 1
ORB PKT
Star Chart

C4F

ENT
ENT PKT
POST INSERTION
SYS AOA

10/08/07

MF57C

760XD STS Load Hard Drive
A31p OCA Router Load Hard
Drive
A31p STS Load Hard Drive
CD-ROM Disk Set
760XD OCA Router Reload
CD
760XD STS PGSC Reload
CD
A31p OCA Router Reload
DVD
A31p STS PGSC Reload
DVD
Crew Systems Reference
CD
ISS Ext Images CD
Landing Site/MAPS CD
Payload Bay Closeout
Photos CD
PILOT CD
STS-120 FDF Books CD
DAP Covers (2)
Disk Sleeve Unit
760XD PGSC Reload Disk
Blank Formatted Disk
Disk Stowage Bag
(Ziplock w/Velcro)

MF57C

(Cont)
EVA (2)
EVA Procedures CD (2)
EVA Cue Card Kit
EVA Cuff Kit
EVA Cuff C/L (2)
FDF Accessory Kit 2
IFM
MAL (Vols I and II)
MED
Message Folder (3)
Ultrabay Adapter

MF43C

DEORB PREP (4)
Flight Deck Stowage Bag 1
Book Clip, Gold (6)
CONT DEORB (2)
ORB OPS (3)
PHOTO TV (FS only)
PHOTO TV Procedures CD
Flight Deck Stowage Bag 2
Book Clip, Gold (6)
Clamp, Book (3)
FLIGHT PLAN (2)
PDRS OPS
REF DATA

FS 3-2

MF43C

(Cont)
Middeck Cue Card Kit
Overlay Kit
PDRS Cue Card Kit
PDRS Overlay Kit
PDRS OPS (3)
PHOTO TV (FS only)
PHOTO TV (Generic only)
PHOTO TV Procedures CD
RNDZ (3)
RNDZ Cue Card Kit
RNDZ Overlay Kit

REF/120/FIN A

LAUNCH CONFIG – ALPHABETICAL

<u>ITEM</u>	<u>AMT</u>	<u>LOCATION</u>
760XD OCA Router Reload CD		MF57C (CD-ROM Disk Set)
760XD PGSC Reload Disk		MF57C (Disk Sleeve Unit)
760XD STS Load Hard Drive		MF57C
760XD STS PGSC Reload CD		MF57C (CD-ROM Disk Set)
A31p OCA Router Load Hard Drive		MF57C
A31p OCA Router Reload DVD		MF57C
A31p STS Load Hard Drive		MF57C
A31p STS PGSC Reload DVD		MF57C (CD-ROM Disk Set)
Adapter, Ultrabay	4	MF57C
ASC	4	CARRY-ON
ASC Data Cards		R3A (Data Card Kit)
ASC PKT	4	CARRY-ON
Ascent Cards		CARRY-ON
Ascent Flip Book & Support	2	CARRY-ON
Binder Clip, Black	6	MF57C (FDF Accessory Kit 2)
Binder Rings (Metal)	3	MF57C (FDF Accessory Kit 2)
Binder Rings (Nylon)	6	MF57C (FDF Accessory Kit 2)
Blank Formatted Disk		MF57C (Disk Sleeve Unit)
Book Clip, Gold	4	C4A (FDF Accessory Kit 1)
Book Clip, Gold	6	MF43C (FD Stowage Bag 1)
Book Clip, Gold	6	MF43C (FD Stowage Bag 2)
Book Clip, Gold	4	MF57C (FDF Accessory Kit 2)
Book Clip, Gold	4	MF57C (FDF Accessory Kit 2)
Cable Ties w/Tags	6	MF57C (FDF Accessory Kit 2)
CDR Window Flip Book & Support		CARRY-ON
CD-ROM Disk Set		MF57C
Clamp, Book	3	MF43C (FD Stowage Bag 2)
10/08/07	FS 3-3	REF/120/FIN A

LAUNCH CONFIG – ALPHABETICAL (Cont)

<u>ITEM</u>	<u>AMT</u>	<u>LOCATION</u>
Clamp, Book	4	MF57C (FDF Accessory Kit 2)
CONT ABORT/RTLS CONT Cue Card	4	CARRY-ON
CONT DEORB	2	MF43C (FD Stowage Bag 1)
Crew Notebooks	7	CARRY-ON
Crew Systems Ref CD		MF57C (CD-ROM Disk Set)
DAP Covers	2	MF57C
Data Card Kit		R3A
DEORB and ENT Data Cards		R3A (Data Card Kit)
DEORBIT PREP	4	MF43C
Disk Sleeve Unit		MF57C
Disk Stowage Bag (Ziplock w/Velcro)		MF57C (Disk Sleeve Unit)
Drafting Dots	20	C4A (FDF Accessory Kit 1)
Drafting Dots	20	MF57C (FDF Accessory Kit 2)
Emergency Egress ACES Troubleshooting Cue Card	4	CARRY-ON
Emergency Egress Cue Card (Oversized)		CARRY-ON
ENT		C4F
ENT	2	CARRY-ON
ENT		R3F
ENT PKT		C4F
ENT PKT	2	CARRY-ON
ENT PKT		R3F
ENTRY MANEUVERS	2	CARRY-ON
ENTRY NO-GO C/L Cue Card		CARRY-ON
Eraser		C4A (FDF Accessory Kit 1)
Eraser		MF57C (FDF Accessory Kit 2)
ET PHOTO Cue Card	2	CARRY-ON
EVA	2	MF57C
EVA Cue Card Kit		MF57C
10/08/07	FS 3-4	REF/120/FIN A

LAUNCH CONFIG – ALPHABETICAL (Cont)

<u>ITEM</u>	<u>AMT</u>	<u>LOCATION</u>
EVA Cuff C/L	2	MF57C (EVA Cuff Kit)
EVA Cuff Kit		MF57C
EVA Procedures CD	2	MF57C
FD3 Docking Orbiter w/ISS CO2 Absorber/Replacement LiOH Canister Stowage PLAN Cue Card		CARRY-ON
FDF Accessory Kit 1		C4A
FDF Accessory Kit 2		MF57C
Flight Deck Stowage Bag 1		MF43C
Flight Deck Stowage Bag 2		MF43C
FLIGHT PLAN	2	MF43C (FD Stowage Bag 2)
FMI TAL Redesignation ECAL-ZZA or MRN or FMI Prime TAL Cue Card	2	CARRY-ON
GALLEY IODINE REMOVAL ASSEMBLY (GIRA) INSTALLATION/CWC (CONTINGENCY WATER CONTAINER) FILL		CARRY-ON
Grease Pencil (Black, Red)	1 ea	C4A (FDF Accessory Kit 1)
Highlighter, Narrow Tip (Blue, Green, Yellow)	2 ea	MF57C (FDF Accessory Kit 2)
IFM		MF57C
ISS Ext Images CD		MF57C (CD-ROM Disk Set)
Landing Site Charts		CARRY-ON
Landing Site/MAPS CD		MF57C (CD-ROM Disk Set)
LOC/Breakup Cue Card	7	CARRY-ON
MAL (Vols I and II)		MF57C
MAPS		CARRY-ON
MED		MF57C
Message Folder	3	MF57C
Middeck Cue Card Kit		MF43C
Middeck Reconfiguration Cue Card		CARRY-ON
10/08/07	FS 3-5	REF/120/FIN A

LAUNCH CONFIG – ALPHABETICAL (Cont)

<u>ITEM</u>	<u>AMT</u>	<u>LOCATION</u>
MPS	2	CARRY-ON
MRN TAL Redesignation ECAL-ZZA or MRN or FMI Prime TAL Cue Card	2	CARRY-ON
OMS 2 BURN MONITOR/OMS FAILURES	2	CARRY-ON
OMS 2/ORBIT OMS BURNS/OPS 1 RCS BURN	2	CARRY-ON
OPS 1/6/TAL TRANSITION RESTRING/POST OPS 3 GRTLS TRANSITION RESTRING Cue Card	2	CARRY-ON
ORB OPS	3	MF43C (FD Stowage Bag 1)
ORB PKT		C4A
ORB PKT		R3F
Orbit Data Cards/P/TV Cue Cards		R3A (Data Card Kit)
ORBIT SPEC (R11)/PRIMARY C/W PARAMETER MATRIX Cue Card		CARRY-ON
Overlay Kit		MF43C
PANEL R14 – OV103 only Cue Card		CARRY-ON
Payload Bay Closeout Photos CD		MF57C (CD-ROM Disk Set)
PAYLOAD BAY FLOODLIGHT CONSTRAINTS Cue Card		CARRY-ON
PCMCIA Hard Disk – Late Updates	2	CARRY-ON
PDRS Cue Card Kit		MF43C
PDRS OPS	3	MF43C
PDRS OPS		MF43C (FD Stowage Bag 2)
PDRS Overlay Kit		MF43C (PDRS Cue Card Kit)
Pen, Sharpie Fine Point (Black)		C4A (FDF Accessory Kit 1)
Pen, Sharpie Fine Point (Black, Blue, Red)	1 ea	MF57C (FDF Accessory Kit 2)
Pencil, Grease (Black, Red)	1 ea	MF57C (FDF Accessory Kit 2)
Pencil, Mechanical	4	C4A (FDF Accessory Kit 1)
Pencil, Mechanical	8	MF57C (FDF Accessory Kit 2)
10/08/07	FS 3-6	REF/120/FIN A

LAUNCH CONFIG – ALPHABETICAL (Cont)

<u>ITEM</u>	<u>AMT</u>	<u>LOCATION</u>
Personal Data CD	7	CARRY-ON
PHOTO TV (FS only)		MF43C
PHOTO TV (FS only)		MF43C (FD Stowage Bag 1)
PHOTO TV (Generic only)		MF43C
PHOTO TV Procedures CD		MF43C
PHOTO TV Procedures CD		MF43C (FD Stowage Bag 1)
PILOT CD		MF57C (CD-ROM Disk Set)
PLBD VTR RECORDING Cue Card		CARRY-ON
PLT Ovhd Flip Book		CARRY-ON
PLT Window Flip Book		CARRY-ON
POST INSERTION		C4F
POST INSERTION	2	CARRY-ON
POST INSERTION		R3F
Post-It Notes (1.5 x 2, 3 x 3, 3 x 5)	1 ea	MF57C (FDF Accessory Kit 2)
Post-It Tape Tabs (6 colors)	6	MF57C (FDF Accessory Kit 2)
REF DATA		MF43C (FD Stowage Bag 2)
RNDZ	3	MF43C
RNDZ Cue Card Kit		MF43C
RNDZ Overlay Kit		MF43C (RNDZ Cue Card Kit)
Rubber Band Kit		C4A (FDF Accessory Kit 1)
SH FIRE ALARMS Cue Card		CARRY-ON
Star Chart		C4A
STS-120 FDF Books CD		MF57C (CD-ROM Disk Set)
STS-120/10A POST INSERTION PLAN Cue Card	2	CARRY-ON
Switch Caps	10	C4A (FDF Accessory Kit 1)
Switch Caps	10	MF57C (FDF Accessory Kit 2)
SYS AOA		C4F
SYS AOA		CARRY-ON
10/08/07	FS 3-7	REF/120/FIN A

LAUNCH CONFIG – ALPHABETICAL (Cont)

<u>ITEM</u>	<u>AMT</u>	<u>LOCATION</u>
SYS AOA		R3F
Tape Dispenser with Tape		MF57C (FDF Accessory Kit 2)
Tape, Transparent		MF57C (FDF Accessory Kit 2)
Tape, Yellow		MF57C (FDF Accessory Kit 2)
Tether, Short (12 inch)	16	MF57C (FDF Accessory Kit 2)
Tether-Short (12 inch)	8	C4A (FDF Accessory Kit 1)
TV Cue Card		CARRY-ON
Urine Collection (w/o UMS)/Cont Waste Collection – UCD Apollo Bag (w/o UMS) Cue Card		CARRY-ON
Urine Pretreat Changeout/Urine Pretreat Setup Cue Card		CARRY-ON
Velcro, Yellow (Hook, Pile) (2 x 2)	15 ea	MF57C (FDF Accessory Kit 2)
Velcro, Yellow (Hook, Pile) (2 x 2)	5 ea	C4A (FDF Accessory Kit 1)
Wedge	2	CARRY-ON
Yellow Dots		C4A (FDF Accessory Kit 1)
Yellow Dots		MF57C (FDF Accessory Kit 2)
ZZA TAL Redesignation ECAL-ZZA or MRN or FMI Prime TAL Cue Card	2	CARRY-ON

10/08/07

FS 3-8

REF/120/FIN A

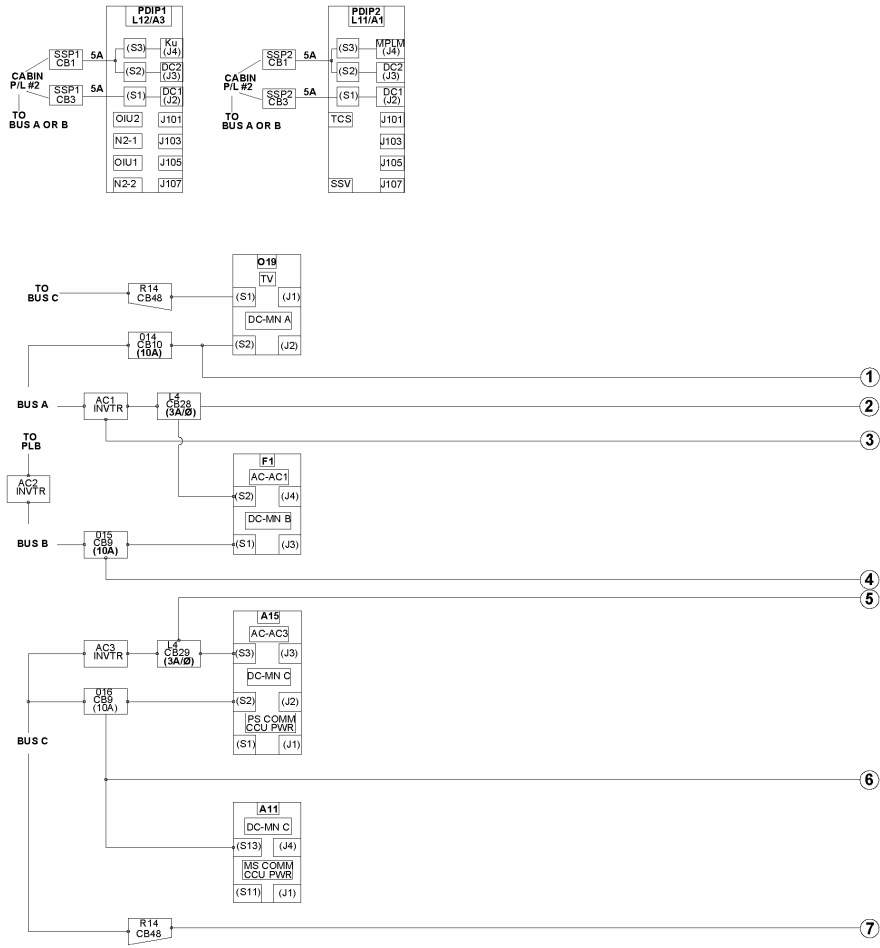
UTILITY OUTLET PLUG-IN PLAN

PWR: PANEL REFERENCE	
FLT DECK.....	FS 4-2
MIDDECK.....	FS 4-3
PWR/DATA/VIDEO: PRE-ROUTED CONFIG	
FLT DECK.....	FS 4-4
MIDDECK.....	FS 4-5
PWR/DATA/VIDEO: ASCENT CONFIG	
FLT DECK.....	FS 4-6
MIDDECK.....	FS 4-7
PWR/DATA/VIDEO: ENTRY CONFIG	
FLT DECK.....	FS 4-8
MIDDECK.....	FS 4-9
PWR: ON-ORBIT CONFIG	
FLT DECK.....	FS 4-10
MIDDECK.....	FS 4-11
PWR: CREW RESCUE COOLING CONFIG	
FLT DECK.....	FS 4-12
MIDDECK.....	FS 4-13

UTIL
PWR

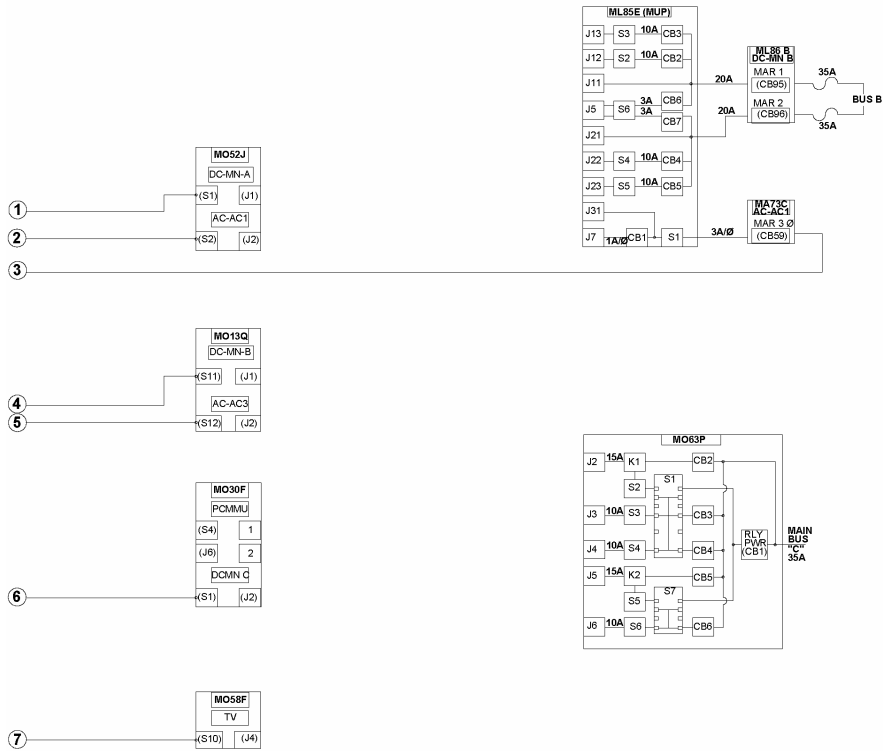
PWR: PANEL REFERENCE – FLT DECK

UTIL
PWR

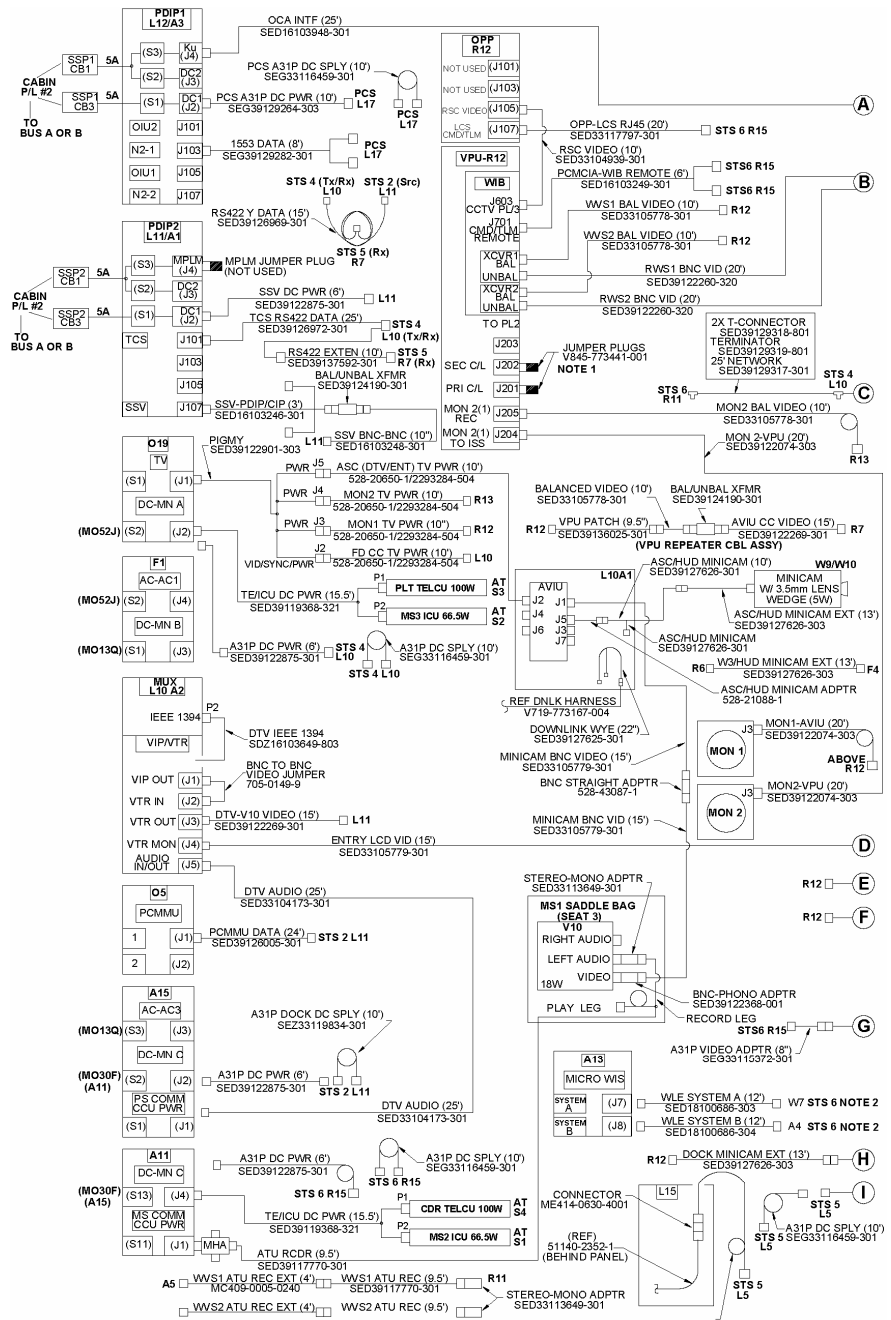


PWR: PANEL REFERENCE – MIDDECK

REV B
09/21/07

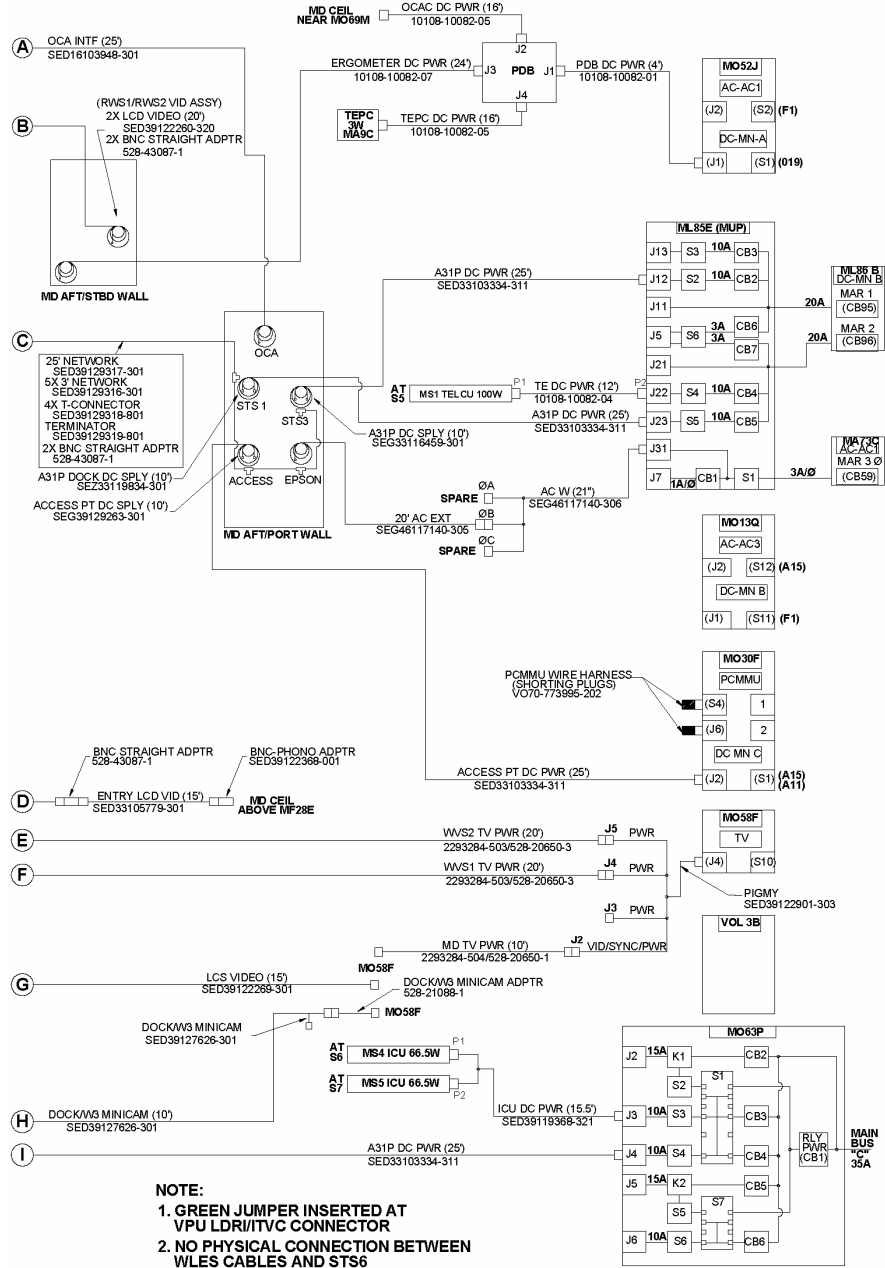


PWR/DATA/VIDEO: PRE-ROUTED CONFIG – FLT DECK I



PWR/DATA/VIDEO: PRE-ROUTED CONFIG – MIDDECK

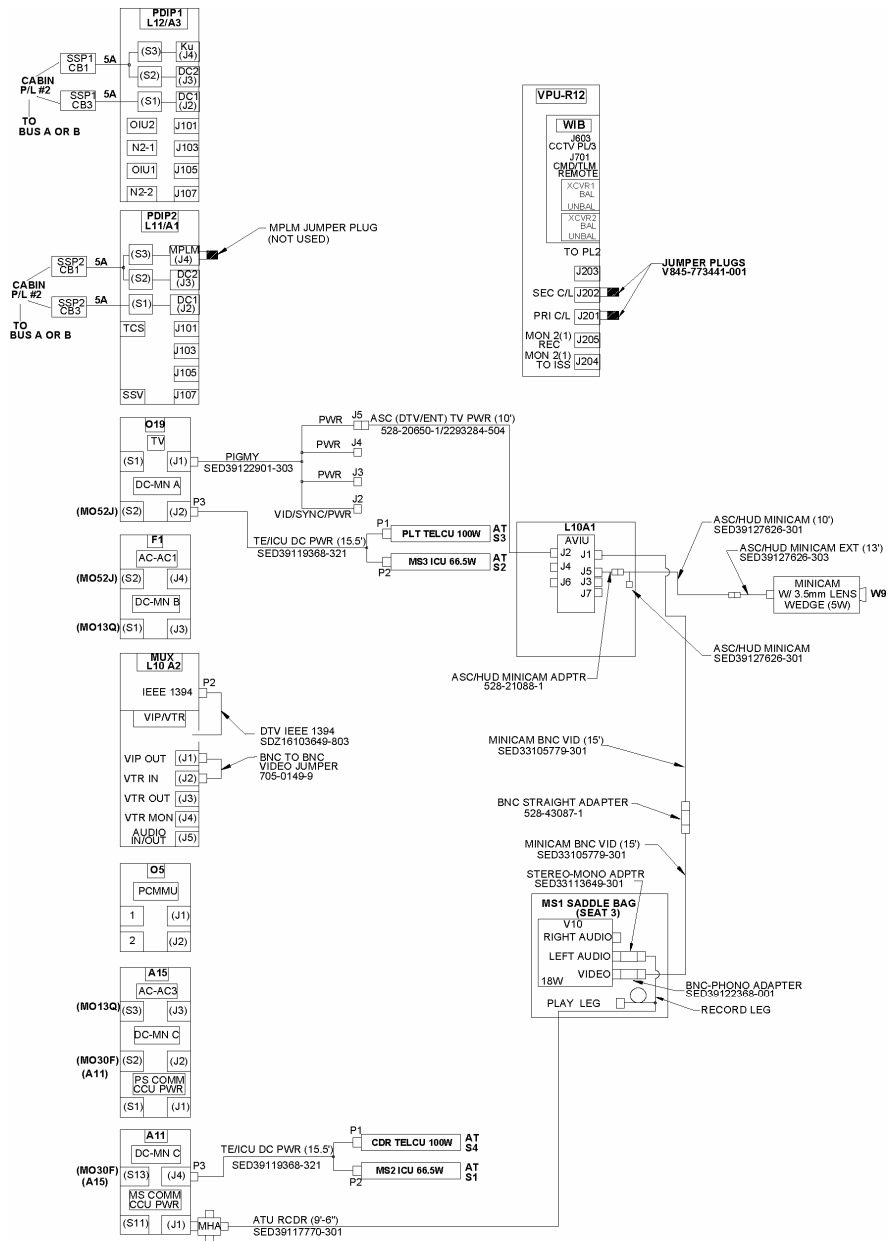
REV B
09/21/07



FS 4-5

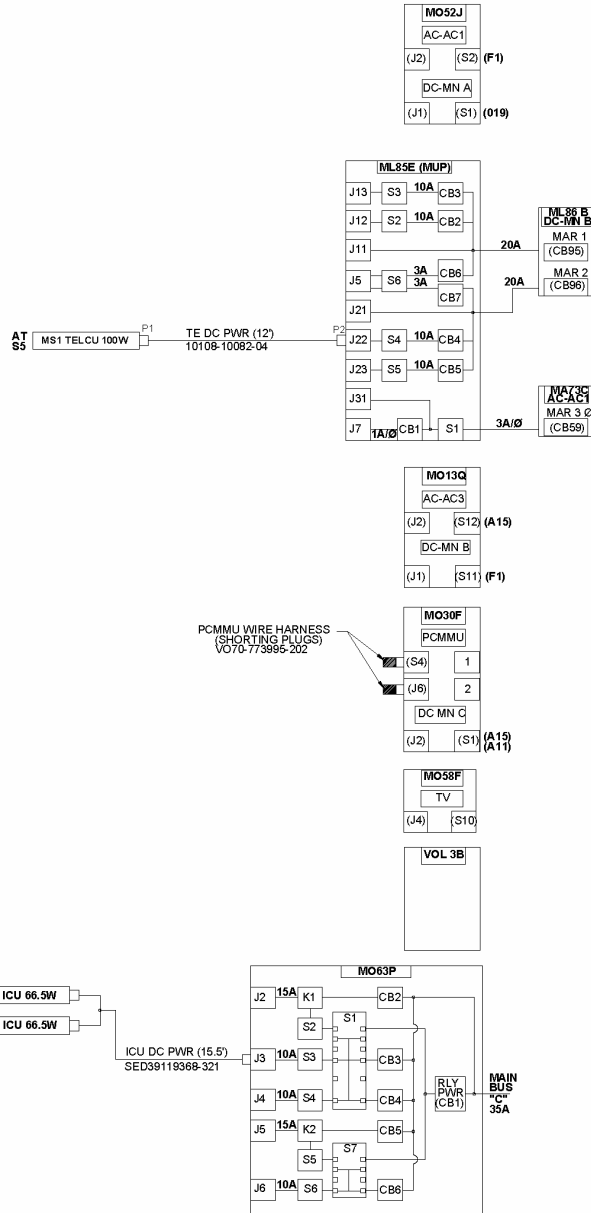
REF/120/FIN A

PWR/DATA/VIDEO: ASCENT CONFIG – FLT DECK



PWR/DATA/VIDEO: ASCENT CONFIG – MIDDECK

REV B
09/21/07

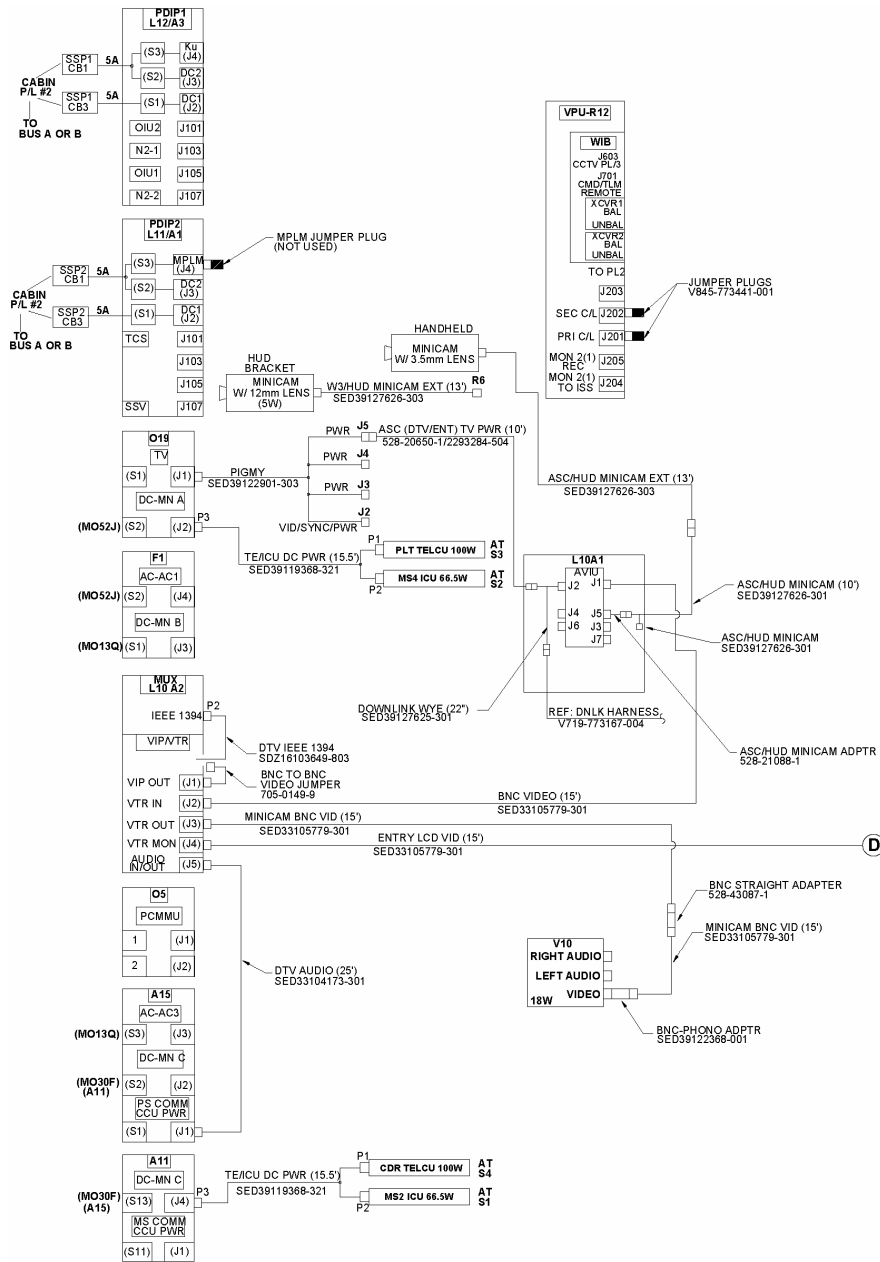


NOTE:
1.) SEE FIGURE 5, B-7 FOR LON COOLING SETUP

FS 4-7

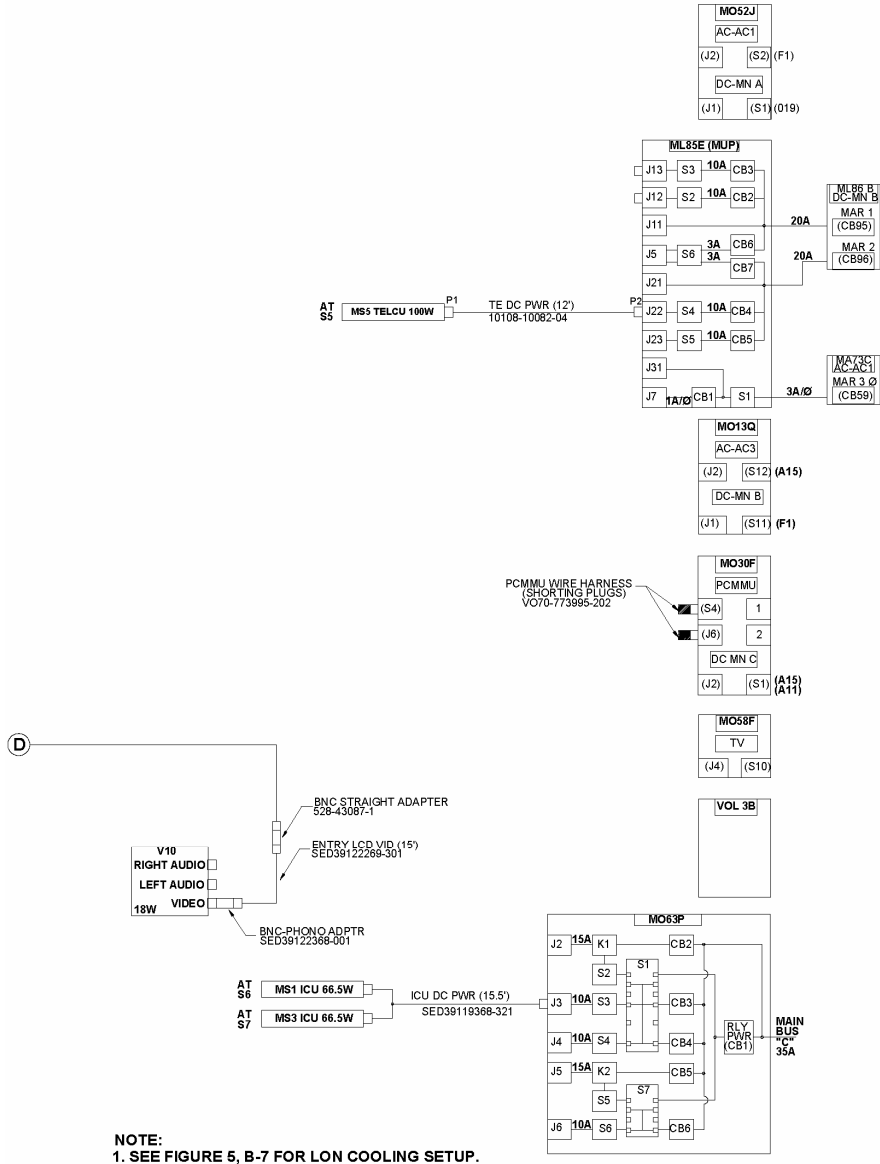
REF/120/FIN A

PWR/DATA/VIDEO: ENTRY CONFIG – FLT DECK

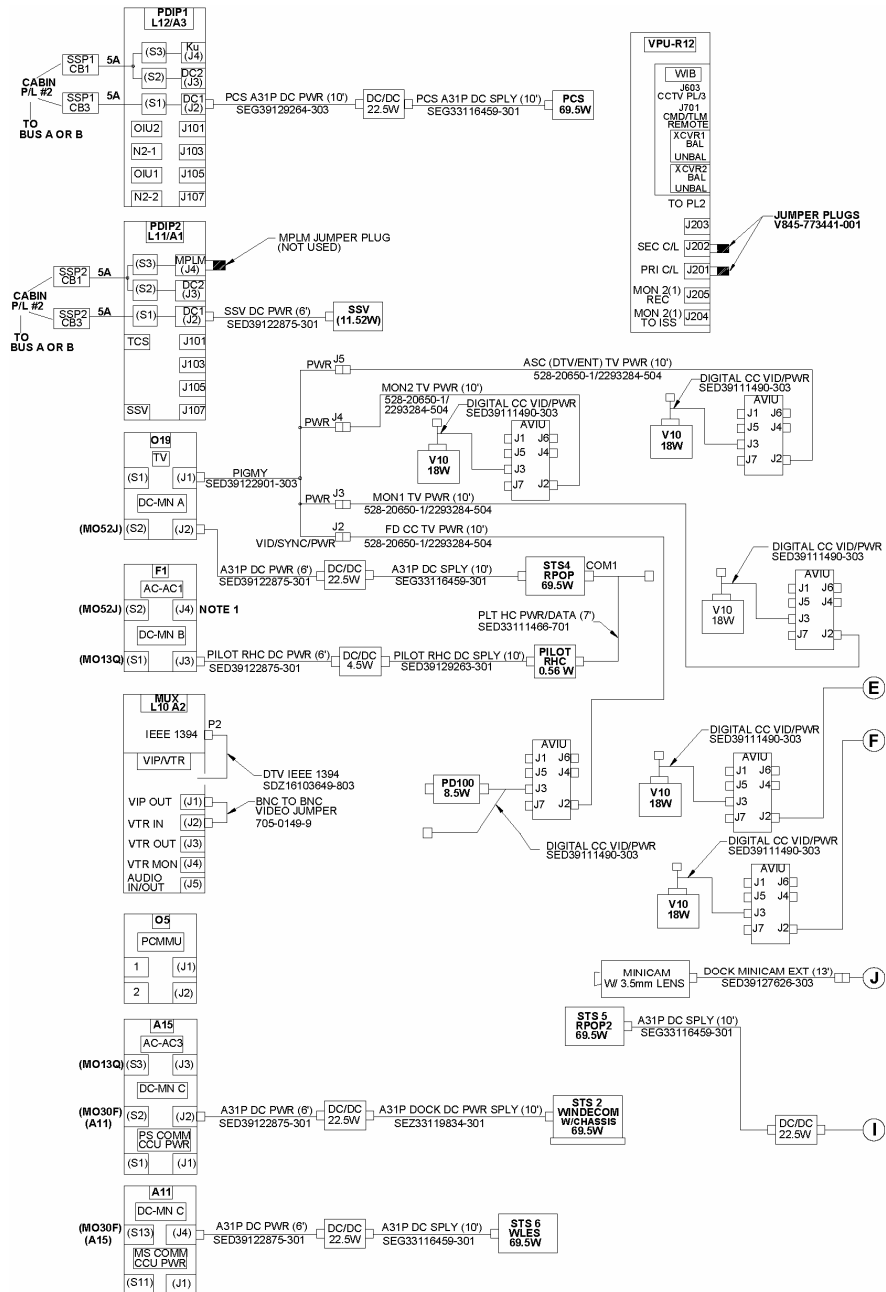


PWR/DATA/VIDEO: ENTRY CONFIG – MIDDECK

REV B
09/21/07

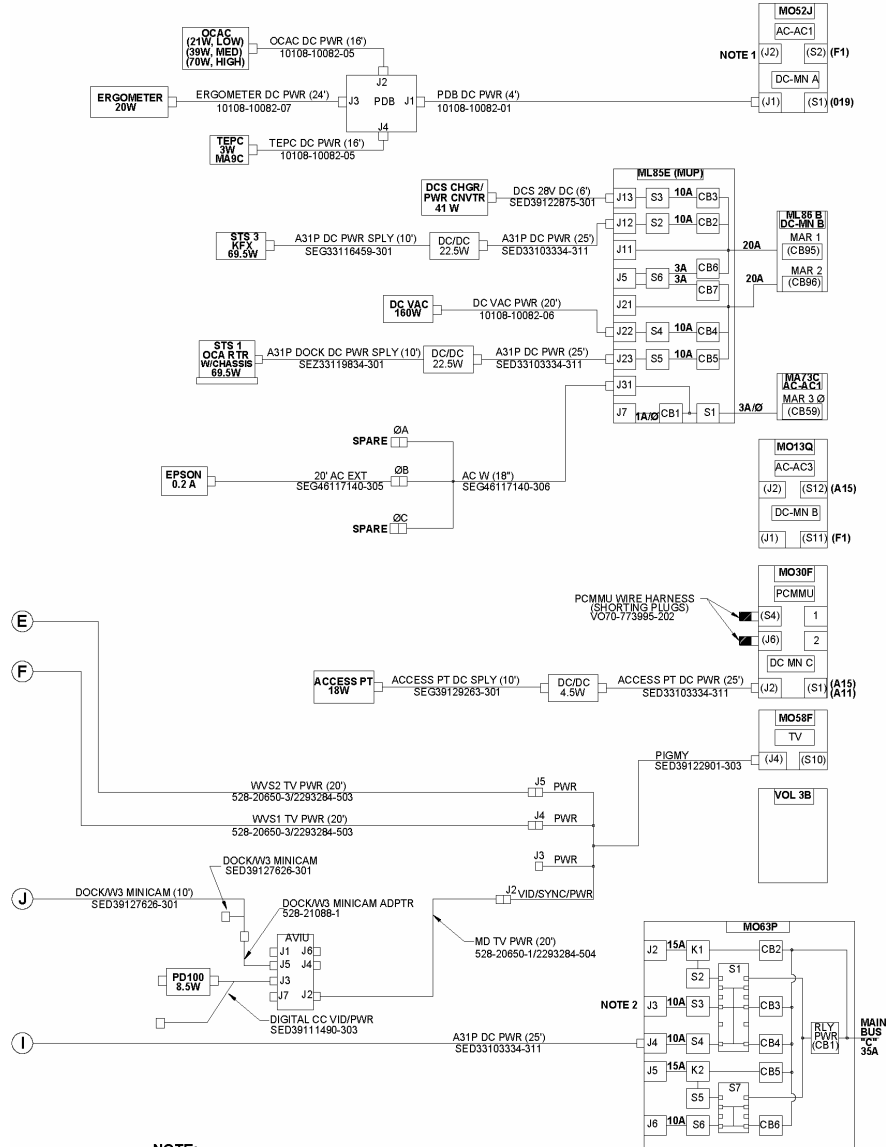


PWR: ON-ORBIT CONFIG – FLT DECK



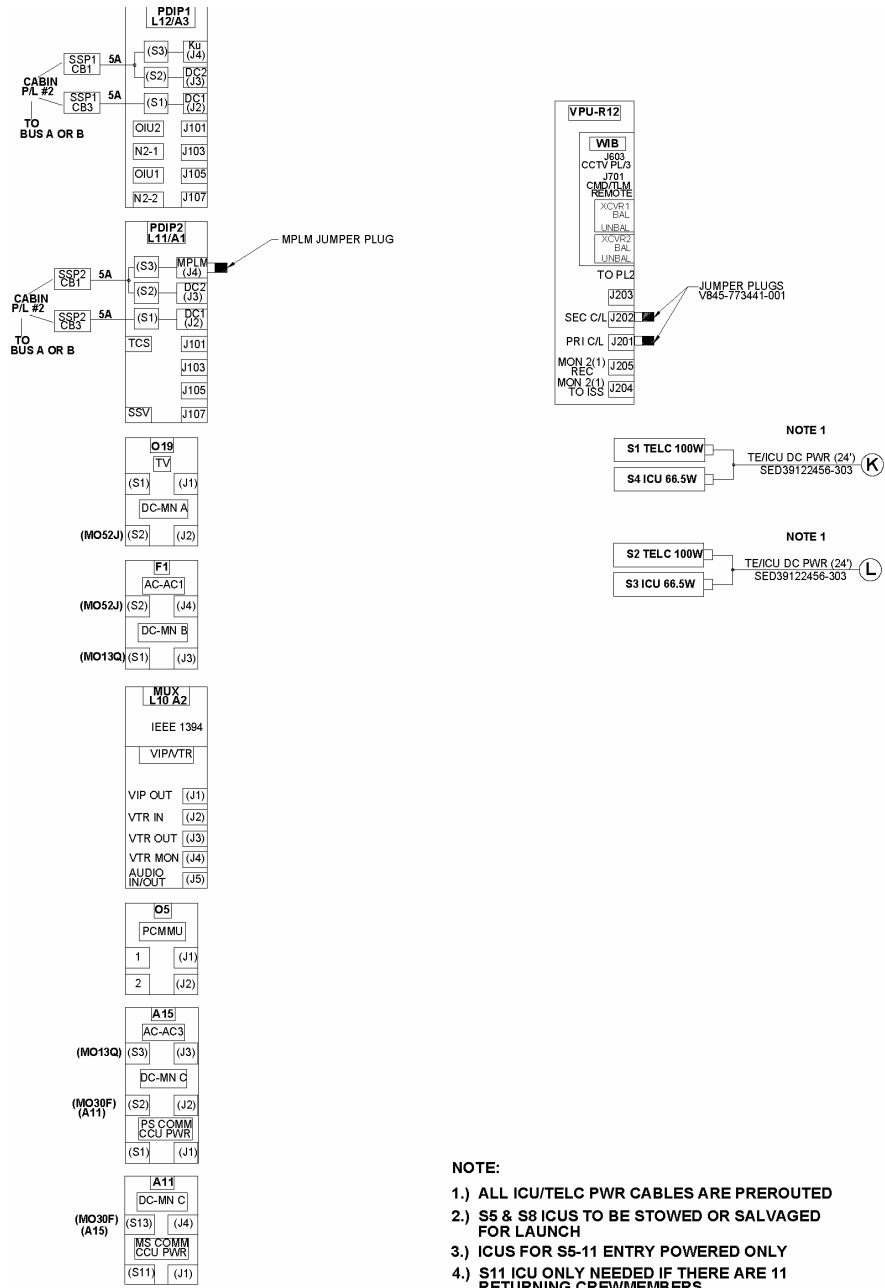
PWR: ON-ORBIT CONFIG – MIDDECK

REV D
09/21/07



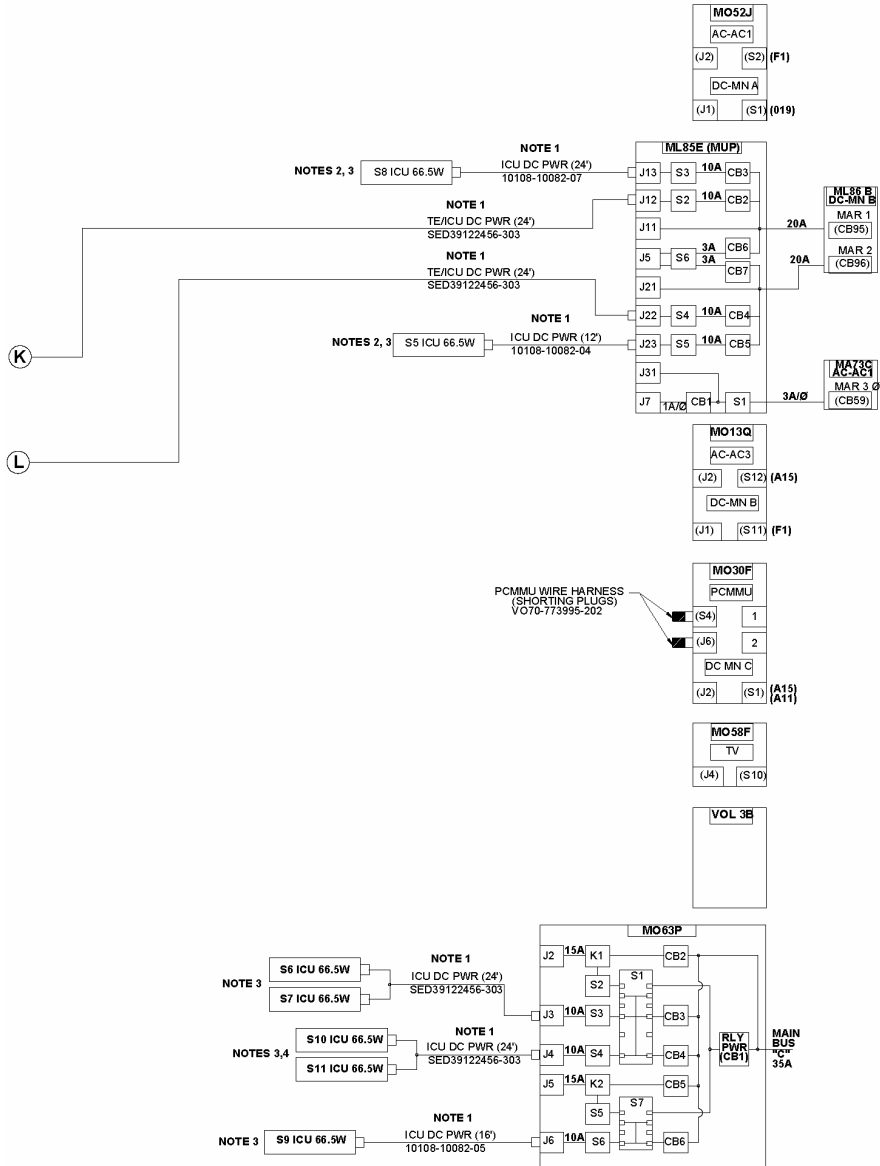
NOTE:
 1. PHOTOFLOOD (0.7 A)
 USE MO52J AC (J2) OR F1 AC (J4)
 2. S6 AND S7 COOLING UNITS REMAIN
 CONNECTED ON-ORBIT AT MO63P DC (J3).

PWR: CREW RESCUE COOLING CONFIG – FLT DECK



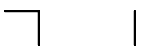
PWR: CREW RESCUE COOLING CONFIG – MIDDECK

REV B
09/21/07





This Page Intentionally Blank



PLB FLOODLIGHT CONSTRAINTS

PAYLOAD BAY FLOODLIGHT CONSTRAINTS FS 5-2

PLB
FLOODLT

FS 5-1

REF/120/FIN A

**PLB
FLOODLT**

PAYLOAD BAY FLOODLIGHT CONSTRAINTS

GENERIC	STS-120
<ul style="list-style-type: none"> • Minimum operating time for PLB Floodlights is 10 min • Lights must be OFF for a minimum of 10 min UNBLOCKED, 16 min BLOCKED prior to reuse • ~3 min to full bright <p>Record MET: ____/____:____:____</p> <p style="text-align: center;">* If PLB Floodlight not ON to full * * bright within 5 min: * * (Aff) PL BAY FLOOD – OFF *</p>	<p>NODE 2 IN PLB</p> <p>FWD PORT AND STBD LIGHTS</p> <ul style="list-style-type: none"> • Generic constraints apply <p>MID PORT AND STBD LIGHTS</p> <ul style="list-style-type: none"> • When orbiter not in Bay-to-Sun attitude, generic constraints apply • When orbiter in Bay-to-Sun attitude, max 20 min ON, followed by 30 min OFF <p>AFT PORT AND STBD LIGHTS</p> <ul style="list-style-type: none"> • OFF at all times <p>NODE 2 NOT IN PLB</p> <ul style="list-style-type: none"> • Generic constraints apply to all floodlights

ENTRY STOWAGE

FLIGHTS WITH RETENTION NET..... FS 6-2

**ENTRY
STOW**

FS 6-1

REF/120/FIN A

FLIGHTS WITH RETENTION NET

AIRLOCK CONFIGURATION

1. Stow clothing and soft goods in airlock in mesh bag or jettison stowage bag
2. Tie bags to standoffs on handrails or EVA attachment point
3. Avoid using standoffs on handrail just inside inner hatch (bags may snag on opening mechanism during ground retrieval)
4. Attempt to tape bags to floor or wall to prevent settling on EMUs or hatches

RETENTION NET CONFIGURATION

1. Configure sleeping bags in two flat stacks (4 top, 3 bottom)
2. Verify retention net in forward position
3. Return to Houston bag(s) behind retention net should contain only:
 - Ascent FDF
 - Digital Video Tapes
 - Matching shirts for post-flight PAD
4. Restrain RTH Bag(s) to floor using seat restraint and Gray Tape as necessary

ITEMS/NOTES

1. Stow the following items:
 - Water Samples and ACTEX Purge Bags in Fresh Food Locker (MF14E)
2. Stow used disposable batteries in double-wrap Ziplock Bags away from heat source. Recommend Fresh Food Locker (MF14H)

**ENTRY
STOW**

MISSION SPECIFIC ITEMS/NOTES

1. Laundry should be divided into two stowage locations – half in Airlock and half behind Retention Net



CUE CARD CONFIGURATION

CUE
CARDS



FAB USE ONLY

FS 7-1

REF/120/FIN A



CUE CARDS

TOP

FAB USE ONLY

FS CC 7-2

REF/120/FIN A

(reduced copy)

REF-1a/120/O/B
STS-120 CONSUMABLES

DISINFECTANT WIPES (26/pkg) (1/cm/day)	WMC (pkg) 3 2 1	MF28K (pkg) 3 2 1
DRY WIPES (24/pkg) (21/cm/day)	WMC (pkg) 24 23 22 21 20 19 18 17 16 15 14 13 12 11 10 9 8 7 6 5 4 3 2 1	VOL B (MA4D) (pkg) 60 59 58 57 56 55 54 53 52 51 50 49 48 47 46 45 44 43 42 41 40 39 38 37 36 35 34 33 32 31 30 29 28 27 26 25 24 23 22 21 20 19 18 17 16 15 14 13 12 11 10 9 8 7 6 5 4 3 2 1
ELBOW BAGS	WMC 16 15 14 13 12 11 10 9 8 7 6 5 4 3 2 1	VOL B (MA4D) 12 11 10 9 8 7 6 5 4 3 2 1
EMESIS BAGS	WMC 7 6 5 4 3 2 1	VOL B (MA4D) 13 12 11 10 9 8 7 6 5 4 3 2 1
GLOVES (50/pkg) (2/cm/day)	WMC (pkg) 2 1	VOL B (MA4D) 1 VOL G (Contingency) (pkg) 1
GLOVES, SHOULDER LENGTH	VOL B (MA4D) (pkg) 1	
PREFILTERS, CONICAL	WMC 20 19 18 17 16 15 14 13 12 11 10 9 8 7 6 5 4 3 2 1	VOL B (MA4D) 20 19 18 17 16 15 14 13 12 11 10 9 8 7 6 5 4 3 2 1
TOWELS (1/cm/day)	WMC 36 35 34 33 32 31 30 29 28 27 26 25 24 23 22 21 20 19 18 17 16 15 14 13 12 11 10 9 8 7 6 5 4 3 2 1	MD Floor (Bag C, STBD 1) 40 39 38 37 36 35 34 33 32 31 30 29 28 27 26 25 24 23 22 21 20 19 18 17 16 15 14 13 12 11 10 9 8 7 6 5 4 3 2 1
TRASH BAGS (Coffee Can) (10/pkg) (2/cm/day)	WMC (pkg) 10 9 8 7 6 5 4 3 2 1	MF43C 20 19 18 17 16 15 14 13 12 11 10 9 8 7 6 5 4 3 2 1
WASHCLOTHS (2/cm/day)	WMC 32 31 30 29 28 27 26 25 24 23 22 21 20 19 18 17 16 15 14 13 12 11 10 9 8 7 6 5 4 3 2 1	VOL B (MA4D) 164 163 162 161 160 159 158 157 156 155 154 153 152 151 150 149 148 147 146 145 144 143 142 141 140 139 138 137 136 135 134 133 132 131 130 129 128 127 126 125 124 123 122 121 120 119 118 117 116 115 114 113 112 111 110 109 108 107 106 105 104 103 102 101 100 99 98 97 96 95 94 93 92 91 90 89 88 87 86 85 84 83 82 81 80 79 78 77 76 75 74 73 72 71 70 69 68 67 66 65 64 63 62 61 60 59 58 57 56 55 54 53 52 51 50 49 48 47 46 45 44 43 42 41 40 39 38 37 36 35 34 33 32 31 30 29 28 27 26 25 24 23 22 21 20 19 18 17 16 15 14 13 12 11 10 9 8 7 6 5 4 3 2 1
WET WASHES (40/pkg) (12/cm/day)	WMC (pkg) 6 5 4 3 2 1	VOL B (MA4D) (pkg) 40 39 38 37 36 35 34 33 32 31 30 29 28 27 26 25 24 23 22 21 20 19 18 17 16 15 14 13 12 11 10 9 8 7 6 5 4 3 2 1



FAB USE ONLY



(reduced copy)
FS CC 7-3

REF/120/FIN A



TOP
BACK OF 'STS-120 CONSUMABLES'

HOOK
VELCRO



REF-1b/120/O/A





This Page Intentionally Blank



FAB USE ONLY

FS 7-4

REF/120/FIN A



Space Shuttle Program
FLIGHT DATA FILE

JSC-48042-120
FINAL, REV A



**REFERENCE
DATA**

**STS
120**

Flight Cover (trim bottom to expose tabs)