

Reference Data

STS-126 Flight Supplement

**Mission Operations Directorate
Operations Division**

**Final
October 30, 2008**

National Aeronautics and
Space Administration

Lyndon B. Johnson Space Center
Houston, Texas



MISSION OPERATIONS DIRECTORATE

**REFERENCE DATA
STS-126 FLIGHT SUPPLEMENT**

FINAL
October 30, 2008


PREPARED BY:



Michele M. Crisp
Publication Manager

APPROVED BY:

ACCEPTED BY:



Kimberly A. Johnson
Manager, Shuttle
Procedures Management



Michael T. Hurt
FDF Manager

This document is under the configuration control of the Crew Procedures Control Board (CPCB). All proposed changes must be submitted via FDF Workflow Crew Procedure Change Request (CR) to DO3/FDF Manager.

Additional distribution of this book, for official use only, may be requested in writing to DO3/PMO Administrator. The request must include justification and requester's name, organization, position, and phone number. Contractor requests are made through the NASA or DOD organization supported. Deletions, reduction in quantity, or change of address may be submitted to DO3/FDF Management Office, 281-244-1184.

Incorporates the following:	
482#:	REF_FS-0025 MULTI-1827

AREAS OF TECHNICAL RESPONSIBILITY

Publication Manager	DO35/M. Crisp	281-483-5975
Alternate Publication Manager	DO35/L. Giles	281-244-9068

REFERENCE DATA
STS-126 FLIGHT SUPPLEMENT

LIST OF EFFECTIVE PAGES

FINAL 10/30/08

Sign Off	*	126/FIN	FS 2-9	126/FIN
FS ii	*	126/FIN	FS 2-10	126/FIN
FS iii	*	126/FIN	FS 2-11	126/FIN
FS iv	*	126/FIN	FS 2-12	126/FIN
FS v	*	126/FIN	FS 2-13	126/FIN
FS vi	*	126/FIN	FS 2-14	126/FIN
FS 1-1		126/FIN	FS 2-15	126/FIN
FS 1-2		126/FIN	FS 2-16	126/FIN
FS 1-3		126/FIN	FS 2-17	126/FIN
FS 1-4		126/FIN	FS 2-18	126/FIN
FS 1-5		126/FIN	FS 2-19	126/FIN
FS 1-6		126/FIN	FS 2-20	126/FIN
FS 1-7		126/FIN	FS 2-21	126/FIN
FS 1-8		126/FIN	FS 2-22	126/FIN
FS 1-9		126/FIN	FS 2-23	126/FIN
FS 1-10		126/FIN	FS 2-24	126/FIN
FS 1-11		126/FIN	FS 2-25	126/FIN
FS 1-12		126/FIN	FS 2-26	126/FIN
FS 1-13		126/FIN	FS 3-1	126/FIN
FS 1-14		126/FIN	FS 3-2	126/FIN
FS 1-15		126/FIN	FS 3-3	126/FIN
FS 1-16		126/FIN	FS 3-4	126/FIN
FS 2-1		126/FIN	FS 3-5	126/FIN
FS 2-2		126/FIN	FS 3-6	126/FIN
FS 2-3		126/FIN	FS 3-7	126/FIN
FS 2-4		126/FIN	FS 3-8	126/FIN
FS 2-5		126/FIN	FS 3-9	126/FIN
FS 2-6		126/FIN	FS 3-10	126/FIN
FS 2-7		126/FIN	FS 3-11	126/FIN
FS 2-8		126/FIN	FS 3-12	126/FIN

* – Omit from flight book

FS 3-13	126/FIN	FS 4-11	126/FIN
FS 3-14	126/FIN	FS 4-12	126/FIN
FS 3-15	126/FIN	FS 4-13	126/FIN
FS 3-16	126/FIN	FS 4-14	126/FIN
FS 4-1	126/FIN	FS 5-1	126/FIN
FS 4-2	126/FIN	FS 5-2	126/FIN
FS 4-3	126/FIN	FS 6-1	126/FIN
FS 4-4	126/FIN	FS 6-2	126/FIN
FS 4-5	126/FIN	FS 7-1	126/FIN
FS 4-6	126/FIN	FS 7-2	126/FIN
FS 4-7	126/FIN	FS 8-1	126/FIN
FS 4-8	126/FIN	FS CC 8-2..... *	126/FIN
FS 4-9	126/FIN	FS CC 8-3..... *	126/FIN
FS 4-10	126/FIN	FS 8-4..... *	126/FIN

REF DATA CUE CARDS

<u>Title</u>	<u>Ref. Page</u>	<u>Card No.</u>
STS-126 CONSUMABLES		
(Front).....	FS CC 8-2	REF-1a/126/O/A
(Back).....	FS CC 8-3	REF-1b/126/O/A

* – Omit from flight book

<u>CONTENTS</u>	<u>PAGE</u>
<u>LOCKER STOWAGE</u>	FS 1-1
STS-126 FLT DECK STOWAGE	FS 1-2
MIDDECK STOWAGE	FS 1-4
LIGHTWEIGHT MAR	FS 1-13
CONSUMABLES.....	FS 1-14
 <u>ALPHABETICAL STOWAGE</u>	 FS 2-1
 <u>FDf DOCUMENTATION STOWAGE</u>	 FS 3-1
LAUNCH CONFIG – LOCKER.....	FS 3-2
– ALPHABETICAL.....	FS 3-3
 <u>UTILITY OUTLET PLUG-IN PLAN</u>	 FS 4-1
PWR: PANEL REFERENCE	
FLT DECK	FS 4-2
MIDDECK.....	FS 4-3
PWR/DATA/VIDEO: PRE-ROUTED CONFIG	
FLT DECK	FS 4-4
MIDDECK.....	FS 4-5
PWR/DATA/VIDEO: ASCENT CONFIG	
FLT DECK	FS 4-6
MIDDECK.....	FS 4-7
PWR/DATA/VIDEO: ENTRY CONFIG	
FLT DECK	FS 4-8
MIDDECK.....	FS 4-9
PWR: ON-ORBIT CONFIG	
FLT DECK	FS 4-10
MIDDECK.....	FS 4-11
PWR: CREW RESCUE COOLING CONFIG	
FLT DECK	FS 4-12
MIDDECK.....	FS 4-13
 <u>PLB FLOODLIGHT CONSTRAINTS</u>	 FS 5-1
PAYLOAD BAY FLOODLIGHT CONSTRAINTS	FS 5-2
 <u>ENTRY STOWAGE</u>	 FS 6-1
FLIGHTS WITH RETENTION NET	FS 6-2
 <u>PCS ORBIT</u>	 FS 7-1
PRESSURE CONTROL SYSTEM – ORBIT	FS 7-2
 <u>CUE CARD CONFIGURATION</u>	 FS 8-1



This Page Intentionally Blank



LOCKER STOWAGE

STS-126 FLT DECK STOWAGE	FS 1-2
MIDDECK STOWAGE	FS 1-4
LIGHTWEIGHT MAR	FS 1-13
CONSUMABLES	FS 1-14

LOCKER

LOCKER

STS-126 FLT DECK STOWAGE

C4A

FDF

C4F

FDF

R3A

FDF

R3F

FDF

L10 UPPER

AVIU

Batt Charger, DCS

Cables

- Digital CC Vid/Pwr, 15 ft
- DTV IEEE 4-Pin to Female
- DTV IEEE 4-Pin to Male
- MPC to DTV Mux, 3 ft
- MPC to DTV Mux, 9 ft
- PPOV Teac Wye

MPC

Pwr Supply, MPC

Tapes

- Digital Video (171)
- Sony Video (14)

VPU Plug

10/29/08

L10 LOWER

DTV w/Tape

L11

OIU

PDIP 2

L12

PDIP 1

SSP-1/SSP-2

R12

SPAS/OPP/OBSS

VPU

A16

Bag, Camera

Batts

AA (8)

D2XS (4)

Cable Assy, Shutter Release
w/Extension

Cards, DCS 760 (7)

Cleaning Solution

Dry Wipe

Filter, Polarizing Modified

Flash (2)

A16

(Cont)

Bag, Camera (Cont)

Flash Assy w/Batt (2)

Lens

16mm

17-35mm (2)

28mm

80-200mm

Lens Cap (3)

Thermal Blanket, EVA

Viewfinder, EVA

Bracket, Multiuse (3)

Clamp, Bracket

Computer Desk, Inflight (3)

PILOT Hand Controller

Bungee (2)

Cable, PILOT RS-232 Pwr/Data Y

Tie Wrap (10)

FS 1-2

REF/126/FIN

STS-126 FLT DECK STOWAGE (Cont)

A17

Bag, DTV Camcorder
Adapter, Stereo-to-Mono Audio
BAL/UNBAL XFMR
Binoculars (2)
Cables
 AVIU Video w/BNC Adapter
 BPSMU AVIU Patch
 Digital Camcorder Video/Pwr
 IEEE 1394 4-Pin Firewire
 PCMCIA to WIB-Remote
 PD100 A/V Adapter
 RCA-RCA (2)
 S-Video A31p
 Video IN/OUT
 VIU/CM-CC Video, 15 ft
 VPU Patch
Camera, Mini-Cam (HUD Entry)
 Bracket, HUD
 Cable, VIU LCD, 20 ft
 Lens, 12mm
 Tie Wrap, 14 in
Camera, Mini-Cam (Window 3)
 Lens, 6mm
 Lens, 12mm
Converter, IVA 1394 (2)
Kit, DTV MUX Fuse (5-5A, 3-2A)
Lens, 8mm Fisheye
Ziplock, 13x18 (15)

A17

(Cont)
Bag, Core Camcorder
Adapters
 BNC-RCA (2)
 BNC-T (2)
 RCA-BNC (2)
Audio Muting Plug
AVIU
Batt Charger, Li-ION
Batts
 Li-ION (6)
 Silver Oxide, 1.5V (3)
Bracket, Lockline Flex
Camcorder, Canon HG1 w/Tape
Coupler, TWINAX (2)
Headphones
Lens, Wide Angle
Microphone w/Batt
Tape, Digital Video (19)
Pry Bar, Window 8
Quick Don Mask (4)

10/29/08

FS 1-3

REF/126/FIN

STS-126 MIDDECK STOWAGE

FORWARD LOCKERS

MF14E

Food, Fresh
Food, Fresh

MF14G

Food, Fresh
Food, Menu

MF14H

Food, Menu
Food, Menu

MF14K

Food, Menu
Food, Menu

MF14M

Food, Menu
Food, Menu

MF14O

Food, Menu
Food, Menu

MF28E

GLACIER

MF28G

IFM Tools

MF28H

Cable, Biomed (2)
Container, Sharps
Kits

Dosimeter
Electrode
Medical Accessory
Operational Bioinstrumentation System
Restraint (4)
Saline (2)
Subpacks
Airway
Drug
EENT
IV Administration
Saline Supply
Trauma

MF28K

Actiwatch (7)
GAP Cylinder (5)
Gloves, Cryo
Kits
Medical Accessory
Mineral Syringe
Sample Purge
Silver Biocide
Paper, Color Printer

MF28M

Cabin Fan | Kit, Food
UDHR

MF28O

Food, Menu
Food, Menu

MF43C

Clothing, CDR
Clothing, CDR

MF43E

FDF

10/29/08

FS 1-4

REF/126/FIN

STS-126 MIDDECK STOWAGE (Cont)

FORWARD LOCKERS (Cont)

MF43G

Clothing, MS1
Clothing, MS1

MF43H

ERADK
HRM (2)
Kits
Blood Collection (2)
Saliva Collection
SOMS Resuscitator

MF43K

Plug Attach Bolt (4)
Plug Tethers (3)
RCC Plug Cover Plate (19)
T-Bar (4)
Universal Repair Plug

MF43M

Clothing, MS3
Clothing, MS3

MF57A (VOL A)

Pantry Food
Accessories
Eating Utensils

MF57C

Braycote
CSA-CP Assy
Batt Pack, CSA-CP (3)
Sampling Pump
Sampling Pump Filter
Zero Filter Assy
CWC, Condensate Collection
Hose, SUPA (16)
Hose, Y-Y 8 ft Condensate
Kit, Docking Mechanism Accessory
APAS Hatch Tool
Cloth Wipes
O-Ring, Bore Seal (2)
O-Ring, Face Seal (2)
Towel

MF57E

FDF | SODF

MF57G

Vacuum Cleaner
Bags (4)
Cable, DC Pwr, 20 ft
Tools
Cabin Fan Filter
Crevice
DDU Filter Flex Modular
Flex Hose/Suction Hose
Hose Adapter

MF57H

Bags
Inflight Stowage Restraint (10)
Helmet (2)
Jettison Stowage (5)
Utility Trash (2)
Bracket, Multiuse
Bungee, Adjustable (7)
Canister, WCS (Coffee Can)
Covers
HUD (2)
Parachute (7)
Hoses
Personal Hygiene
WCS Canister
Mirror, Personal Hygiene (2)
Switch Guard

10/29/08

FS 1-5

REF/126/FIN

STS-126 MIDDECK STOWAGE (Cont)

FORWARD LOCKERS (Cont)

MF57H

(Cont)
Tape
 Gray 1 in
 Gray 2 in
Ziplock Bag, 12 x 12 (8)
Ziplock Bag, 8 x 8 (12)

MF57K

SODF

MF57M

Cables
 ICE Crystal Pwr/Data
 ICE Crystal Temp Control
 ICE Crystal Video
Cell, ICE Crystal
Kits
 Blood Collection
 Saliva Collection
Batt Pack, Spheres (10)

MF71C

Clothing, PLT
Clothing, PLT

10/29/08

MF71E

NLP Cells

MF71G

Clothing MS2
Clothing MS2

MF71H

Bag, Jettison Stowage (5)
Clothing, Crew Preference
Gloves, ACES (2 pr)
Kit, Comm
 Cable, Comm 4 ft
 Cable, Comm 14 ft
 Mic, Handheld (3)
 VLHS (2)
Mirror, Personal Hygiene (2)
Kit, MPLM
NADA Chair (3)
PIP Pin Assy
 O2 Bleed Orifice
 O-Ring Viton
 PIP Pin (12)
PIP Pin, Egress Pole/Spare
Tape
 Gray 1"
 Gray 2"

FS 1-6

MF71K

CHECS Resupply
Bag, Waste Water, Lg (5)
CSA-CP (2)
CSA-CP Pump
FMK
Grab Sampler (3)
ISS Med Kit
Radiation Area Monitor (22)
Sample Probe
SSV Position Holder
TOCA Analysis Pack (27)

MF71M

Clothing MS4
Clothing MS4

MF71O

Crew Support

REF/126/FIN

STS-126 MIDDECK STOWAGE (Cont)

AFT LOCKERS

MA9D

Bag, Double Cold
Cartridge, Crack Gun (2)
HOBO Data Logger (3)
RCC NOAX Tubes (10)

MA9F

CTB, Photo TV Stow-n-Go
Adapters
 BNC-RCA Phono (2)
 Camera Plate Flex
 RCA Gender (2)
AVIU (5)
Brackets
 Base Multiuse
 Clamp Multiuse (3)
 Lockline Flex (2)
 Multiuse (3)
Cables
 AVIU Video
 Balanced Video (2)
 Digital CC Video Pwr (5)
 PD100 A/V Adapter
 VIU/CM-CC Video, 15 ft (4)
Computer Desk, Inflight (2)
Lens, PD100 Wide Conversion
Recorder, V10 w/Tape (4)
Remote, DTV (2)
Tape, Digital Video (25)
10/29/08

MA9G

Cables
 A31p Enhanced DC Pwr (2)
 A31p Pwr Supply
 A31p Video Adapter
 Fuel Cell PCMMU (3=2)
 OPP to LCS RJ45
 PCMMU, 24 ft
 PGSC Pwr, 10 ft
 RJ45, 16 ft (2)
 RJ45, 32 ft
 RS-422 Y
 TriPort PCMCIA
 VLHS to VTS I/F (2)
 WAP Pwr Supply, 10 ft
 WAP Pwr, 10 ft
OCA Board
Relay (3)
Wireless RF Network Card
WLE Receiver

MA9J

Cables
 AC W
 Ethernet, 3 ft
 Parallel Data
 Pwr, AC, 20 ft
Ethernet T-Connector

MA9J

(Cont)
Printer, Color
 Cartridge, Black (2)
 Cartridge, Color (2)
 Paper (2)
 Washcloth
 Ziplocks (15)

MA9L

Tray, Color Printer (2)
ACTEX (2)
Adapter, Dash 2
Filter, Microbe (Spare)
Hoses
 ACTEX
 Filter Hose Assy
Microbial Check Valve

MA9N

Kit, Personal Hygiene (PHK) (7)
Chem Lights
 Green (27)
 Red (28)
Kit, Contaminant Cleanup
PHK, Community
Fiberscope, Video

STS-126 MIDDECK STOWAGE (Cont)

AFT LOCKERS (Cont)

MA9N

(Cont)
Fiberscope Light Source
Kit, Fluid Loading (2)
Restraints
 Foot Loop (Spare) (6)
 Seat (Spare) (2)
Trash Bag, WMC (Spare)

MA16D

Bag, Chemical Resistant (2)
Bottle, Air Sample (2)
Breaker Bar (Pallet Removal)
Breakout Box
Duxseal
Extension, 4 in
Filter, Waste Water Dump
IFM Fastener Retainer Cushion
Kits
 Foam Applicator (2)
 RMS D&C IFM
Lubricant
Turnbuckle (3)

MA16F

Batt, Sphere (30)
Case, CD Stowage
CSI-03
Fuel Reservoir (2)
Sphere Tray

MA16G

Adapter, Bends Treatment (BTA)
Audio Dosimeter
Batts
 AA (30)
 NiMH (4)
Camera, D2XS w/Card
COAS
 Filter, NI-CR
Light Shade (2)
Photo Floodlight

MA16J

Clothing MS5 Up
Clothing MS5 Dn

MA16L

IFM Tools

MA16N

Bag, Helmet
Batt Cap/Fuse Assy
Batts
 AA
 BPSMU (3)
 LIDAR (2)
BPSMU (2)
Cables
 Bal/UNBAL Transformer
 BNC to BNC
 BPSMU/CCU Adapter (2)
 LIDAR I/F (2)
 PGSC Pwr, 6 ft
 RS-232 HHL Data (2)
 SSV to PDIP/CIP
Kit, SSV Fuse
LIDAR
LIDAR w/Nightscope
SSV Compression Encoder

10/29/08

FS 1-8

REF/126/FIN

STS-126 MIDDECK STOWAGE (Cont)

WASTE MGMT COMPARTMENT

Bag, Emesis (7)
Prefilter, Conical (20)
Scraper Tool
Towels (36)
Urinal Funnel, Female Oblong (2)
Urinal Funnel, Female Round
Urinal Funnel, Male (5)
Washcloths (32)
WCS Tool
Bag, Elbow (16)
Clothing, 1st Day (7)
Hose, SUPA
Trash Bag, Aux Wet
Dry Wipes, Multi-Purpose (29 pkg)
Gloves (2 pkg)
Trash Bag, Coffee Can (10 pkg)
Wet Washes (6 pkg)
Wipes, Disinfectant (3 pkg)

VOL B (MA4D)

Bag, Elbow (18)
Bag, Emesis (13)
Bag, Inflight Stowage
Dry Wipes, Multi-Purpose (73 pkg)
Gloves (1 pkg)
Gloves, Shoulder length (1 pkg)
Prefilter, Conical (20)

10/29/08

VOL B (MA4D)

(Cont)
Trash Bag, Coffee Can (16 pkg)
Wet Washes (50 pkg)
Wipes, Disinfectant (7 pkg)

VOL 3B (MA73J)

Audio Muting Plug
Batts
AAA (14)
Li-ION (2, 1 installed)
NiMH (2)
Cable, VIU LCD, 20 ft
Camcorder, PD100 w/Tape
Camera, DCS 760 w/Card
Card, PCMCIA, 1 GB
Flash
Lens
28-70mm
400mm
Monitor, LCD w/Batts
OCAC
Quick Don Mask (3)
Spotlight

VOL D (MD52C)

Blanket, Camera Mount
Coax Cable Torque Adapter (2)
Crack Repair Bag

FS 1-9

VOL D (MD52C)

(Cont)
Crack Repair Palette (2)
Digital Camera Mount
Emittance Wash Applicator (2)
EVA Wipes (5)
Flow Shut Off Valve (2)
Multiplexer
MWS Swingarm RH
RCC Scraper, 2 in (4)
RCC Scraper, 5 in (2)
Ruler
Sony DSR-25 VTR
Tether Extension
VIP

VOL E (MD76C)

OFK/PPK

VOL F (MD76M)

Trash Bag, Wet

VOL G (MD80R)

Bag, Apollo Fecal (40)
CUCD, Male (54)
CWC (2)
Filter, OBF
Gloves (1 pkg)
Pull-Ups (24)
Ziplock Bag, 13x18 (8)

REF/126/FIN

STS-126 MIDDECK STOWAGE (Cont)

LiOH VOL (MD52M)

Canisters
 ATCO
 LiOH (29)
G-Suit (6)
Gloves, Nitrile (40)
Mask, Surgical Filter (30)

EXTERNAL AIRLOCK

PORT
 EMU – EV2 (see EVA C/L)
STBD
 EMU – EV1 (see EVA C/L)

AIRLOCK FLOOR BAG

Adapter, Bracket (2)
Batt Pack, Spheres (40)
Braycote
Connector, Dead Face
CTB, Trundle Scraper
 Bag, TBA (6)
 Cartridge, Braycote
 Debris Container
 EVA Gap Gauge
 EVA Wipes (16)
 Large Area Wipe (16)
 Tether, Adjustable Equipment (6)
 Trash Bag
 Trundle Bearing (4)

AIRLOCK FLOOR BAG

(Cont)
O-Ring, Bore Seal (2)
O-Ring, Face Seal (2)
Rack Front Restraint
Wire Harness (5)
Work Light (2)

VOL H (MD23R)

INBOARD
 See EVA C/L
OUTBOARD
 See EVA C/L

MA12B (WINDOW SHADE BAG)

Bag, Window Shade
 Bag, IFM Cont Hose and Cable Kit
 Adapter, Yellow/Red
 Cables
 AC Pwr Cont Transfer, 15 ft
 DC Harness, 24 ft (2)
 DC Pigtail Connector (2)
 IFM Remote Control
 OCA Spare
 Clamp, Various Sizes (14)
 Gloves, Clean Room
 Hoses
 1/4 in (6 ft)
 3/8 in (6 ft)
 Cont Blue/Blue

MA12B (WINDOW SHADE BAG)

(Cont)
Bag, Window Shade (Cont)
 Bag, IFM Cont Hose and Cable Kit (Cont)
 Hoses (Cont)
 Cont Red/Red
 Cont Yellow/Yellow
 CWC Contingency
 O2 Contingency
 Panel Covers
 A8
 Fastener (6)
 Lower
 Upper
 R2
 Elastic Tie Down
 Snap Tie (2)
 Standoff (5)
 Stiffener (2)
 Protective Cover Wireway (3)
 Shade, CCTV Monitor (2)
 Water Equipment Assy
 Filter, Wand Extender Assy
 Galley Needle (Spare)
 Separator, Water/Gas (2)
 Supply Water Dump Line Purge Assy
 Water Dispenser, Contingency
 Window Shade, Ovhd (2)
 Window Shield, Ovhd (2)

10/29/08

FS 1-10

REF/126/FIN

STS-126 MIDDECK STOWAGE (Cont)

MIDDECK CEILING

BAG E (Port 1)

- Coffee, Kona (39)
- CWC-I (4)
- External TV Camera Group (2)
- Food, U.S.
- Shorts, Athletic (10)
- Socks, X-Static Crew (7)
- Tortillas (20)

BAG F (Port 2)

- ACES
- Bag, Suit Stowage
- Boots
- CCA
- Gloves
- G-Suit
- Harness
- LCG Shirt
- CWC (2)
- RSK Rail 7
- Bushing
- Headrest, RSK
- ICU Bracket (2)
- ICU Strap

BAG G (Stbd 1)

- Arm Cover, Lower (12)
- Batt, EMU
- CCA (2)

10/29/08

MIDDECK CEILING

BAG G (Stbd 1) (Cont)

- Drink Bag, Modified In Suit (8)
- ECOK
- Entry Garments
- Gloves, Phase VI (6 pr)
- LCVG
- Signal Conditioner

BAG H (Stbd 2)

- Clothing, Magnus
- IELK
- Gloves, Nitrile
- Shoes, Athletic
- Socks, X-Static Crew (4)

MIDDECK FLOOR

BAG A (Port)

- Accessories, WHC
- Airflow Deflector
- Galley
- Hose
- PWD
- Kit, Silver Biocide
- TOCA
- Accessories, TOCA

FS 1-11

MIDDECK FLOOR

(Cont)

BAG B (Port)

- Bracket, Paris
- Gloves
- Quick Don Mask
- Sample Bag, VCAM (10)
- Shorts, Crew Preference (12)
- Stowage Box, Digital Video (7)
- Stowage Box, High 8 Video (2)
- VCAM Consumables ORU

BAG C (Stbd 1)

- Bag, ORU Transfer
- CCC (4)
- Drink Bag, Modified (8)
- EVA Grease Gun, J-Hook (2)
- MWS
- Baseplate (2)
- Gimbal (2)
- Key Strap
- Tool Stowage
- PEEL Layer (4)
- Pistol Grip Tool
- SAFER Hand Control
- Template Mount
- Tethers
- Body Restraint
- Retractable Equipment (16)

REF/126/FIN

STS-126 MIDDECK STOWAGE (Cont)

MIDDECK FLOOR

(Cont)

BAG C (Stbd 1) (Cont)

Tether (Cont)

Safety, 85 ft (2)

Waist (4)

Trash Bag, Lg

Valve, J-Hook (2)

BAG D (Stbd 2)

CARD

Hoses

Galley

OGA (4)

RFTA

TESS Liner

WHC Cover

10/29/08

FS 1-12

REF/126/FIN

STS-126 LIGHTWEIGHT MAR

ML60B

Centerline Camera, Prime
Feeler Gauge (4)
Harness, Centerline Camera
Screws (4)
Washer (4)

ML60E

Access Point, Proxim (2)
Cables
 PCS Orbiter Comm
 PCS Payload Data
 PDIP RS-422, 24 ft
Card, PCS PCMCIA (2)
Expansion Assembly (3)
Hard Drive, 60 GB (2)
Laptop, A31p
PGSCs
 STS-1 – OCA Router
 STS-2 – Windecom
 STS-3 – KFX
 STS-4 – Worldmap
 STS-5 – RPOP
 STS-6 – WLES
Pwr Supply, DC (2)
Pwr Supply, PGSC 28VDC (8)
Ultraport Camera Assy (2)

ML60M

Centerline Camera, Backup
Harness, Centerline Backup
Ultrasonic Leak Detector
 Acoustic Tip
 Adapter
 Batt, 9V (2)
 Concentrator
 Headset
 Probe, Extension (3)
 Receiver
 Transmitter

10/29/08

FS 1-13

REF/126/FIN

STS-126 CONSUMABLES

<u>Item</u>	<u>Location</u>		<u>Total Qty</u>
Contingency Urine/Fecal Collection Devices:			
CUCDs (male)	VOL G (MD80R)		54
Apollo Fecal Bags	VOL G (MD80R)		40
Pull-Ups	VOL G (MD80R)		24
Disinfectant Wipes (26/pkg) (2/cm/day)	Waste Mgmt Compartment VOL B (MA4D)	3 pkg 7 pkg	78 <u>182</u> 260
Dry Wipes, Multi-Purpose (24/pkg) (20/cm/day)	Waste Mgmt Compartment VOL B (MA4D)	29 pkg 73 pkg	696 <u>1752</u> 2448
Elbow Bags	Waste Mgmt Compartment VOL B (MA4D)		16 <u>18</u> 34
Emesis Bags	Waste Mgmt Compartment VOL B (MA4D)		7 <u>13</u> 20
Gloves (50/pkg) (2/cm/day)	Waste Mgmt Compartment VOL B (MA4D) VOL G (MD80R)	2 pkg 1 pkg 1 pkg	100 50 <u>50</u> 200
Gloves, Shoulder Length	VOL B (MA4D)	1 pkg	25
Prefilters, Conical	Waste Mgmt Compartment VOL B (MA4D)		20 <u>20</u> 40
Towels (half/cm/day)	Waste Mgmt Compartment		36
Trash Bags (Coffee Can Bags) (10/pkg) (2/cm/day)	Waste Mgmt Compartment VOL B (MA4D)	10 pkg 16 pkg	100 <u>160</u> 260

NOTE: The qty/day is based on 7 crewmembers and 17 days

10/29/08

FS 1-14

REF/126/FIN

STS-126 CONSUMABLES (Cont)

<u>Item</u>	<u>Location</u>		<u>Total Qty</u>
Washcloths (1/cm/day)	Waste Mgmt Compartment		32
Wet Washes – (40/pkg) (18/cm/day for Hygiene)	Waste Mgmt Compartment VOL B (MA4D)	6 pkg 50 pkg	240 <u>2000</u> 2240

NOTE: The qty/day is based on 7 crewmembers and 17 days

10/29/08

FS 1-15

REF/126/FIN



This Page Intentionally Blank



ALPHA-
BETIC

ALPHABETICAL STOWAGE

FS 2-1

REF/126/FIN

**ALPHA-
BETIC**

ALPHABETICAL STOWAGE

<u>ITEM</u>	<u>QTY</u>	<u>LOCATION</u>	<u>NOTES</u>
A			
Access Point, Proxim	2	ML60E	
Accessories		MF57A	VOL A, Pantry Food
Accessories, TOCA		MD Floor	BAG A (Port), TOCA
Accessories, WHC		MD Floor	BAG A (Port)
ACES		MD Ceiling	BAG F (Port 2)
Acoustic Tip		ML60M	Ultrasonic Leak Detector
ACTEX	2	MA9L	
Actiwatch	7	MF28K	
Adapter		ML60M	Ultrasonic Leak Detector
Adapter, Bends Treatment (BTA)		MA16G	
Adapter, BNC-RCA	2	A17	Core Camcorder Bag
Adapter, BNC-RCA Phono	2	MA9F	Photo TV Stow-n-Go CTB
Adapter, BNC-T	2	A17	Core Camcorder Bag
Adapter, Bracket	2	A/L Floor Bag	
Adapter, Camera Plate Flex		MA9F	Photo TV Stow-n-Go CTB
Adapter, Dash 2		MA9L	
Adapter, RCA Gender	2	MA9F	Photo TV Stow-n-Go CTB
Adapter, RCA-BNC	2	A17	Core Camcorder Bag
Adapter, Stereo-to-Mono Audio		A17	DTV Camcorder Bag
Adapter, Yellow/Red		MA12B	Window Shade Bag, IFM CHCK Bag
Airflow Deflector		MD Floor	BAG A (Port)
APAS Hatch Tool		MF57C	Docking Mechanism Accessory Kit
Arm Cover, Lower	12	MD Ceiling	BAG G (Stbd 1)
Audio Dosimeter		MA16G	
Audio Muting Plug		A17	Core Camcorder Bag
10/29/08		FS 2-2	REF/126/FIN

<u>ITEM</u>	<u>QTY</u>	<u>LOCATION</u>	<u>NOTES</u>
A (Cont)			
Audio Muting Plug		MA73J	VOL 3B
AVIU		A17	Core Camcorder Bag
AVIU		L10 Upper	
AVIU	5	MA9F	Photo TV Stow-n-Go CTB
B			
Bag, Apollo Fecal	40	MD80R	VOL G
Bag, Camera		A16	
Bag, Chemical Resistant	2	MA16D	
Bag, Core Camcorder		A17	
Bag, Double Cold		MA9D	
Bag, DTV Camcorder		A17	
Bag, Elbow	18	MA4D	VOL B
Bag, Elbow	16	WMC	
Bag, Emesis	13	MA4D	VOL B
Bag, Emesis	7	WMC	
Bag, Helmet	2	MF57H	
Bag, Helmet		MA16N	
Bag, IFM Cont Hose and Cable Kit		MA12B	Window Shade Bag
Bag, Inflight Stowage		MA4D	VOL B
Bag, Inflight Stowage Restraint	10	MF57H	
Bag, Jettison Stowage	5	MF57H	
Bag, Jettison Stowage	5	MF71H	
Bag, ORU Transfer		MD Floor	BAG C (Stbd 1)
Bag, Suit Stowage		MD Ceiling	BAG F (Port 2), ACES
Bag, TBA	6	A/L Floor Bag	Trundle Scraper CTB

10/29/08

FS 2-3

REF/126/FIN

<u>ITEM</u>	<u>QTY</u>	<u>LOCATION</u>	<u>NOTES</u>
B (Cont)			
Bag, Utility Trash	2	MF57H	
Bag, Waste Water, Lg	5	MF71K	CHECS Resupply
Bag, Window Shade		MA12B	WINDOW SHADE BAG
Bags	4	MF57G	Vacuum Cleaner
BAL/UNBAL XFMR		A17	DTV Camcorder Bag
Baseplate	2	MD Floor	BAG C (Stbd 1), MWS
Batt Cap/Fuse Assy		MA16N	
Batt Charger, DCS		L10 Upper	
Batt Charger, Li-ION		A17	Core Camcorder Bag
Batt Pack, CSA-CP	3	MF57C	CSA-CP Assy
Batt Pack, Spheres	10	MF57M	
Batt Pack, Spheres	40	A/L Floor Bag	
Batt, 9V	2	ML60M	Ultrasonic Leak Detector
Batt, AA	8	A16	Camera Bag
Batt, AA	30	MA16G	
Batt, AA		MA16N	
Batt, AAA	14	MA73J	VOL 3B
Batt, BPSMU	3	MA16N	
Batt, D2XS	4	A16	Camera Bag
Batt, EMU		MD Ceiling	BAG G (Stbd 1)
Batt, LIDAR	2	MA16N	
Batt, Li-ION	6	A17	Core Camcorder Bag
Batt, Li-ION	2, 1 installed	MA73J	VOL 3B
Batt, NiMH	2	MA73J	VOL 3B
Batt, NiMH	4	MA16G	
Batt, Silver Oxide, 1.5V	3	A17	Core Camcorder Bag
Batt, Sphere	30	MA16F	
Binoculars	2	A17	DTV Camcorder Bag
10/29/08		FS 2-4	REF/126/FIN

<u>ITEM</u>	<u>QTY</u>	<u>LOCATION</u>	<u>NOTES</u>
B (Cont)			
Blanket, Camera Mount		MD52C	VOL D
Boots		MD Ceiling	BAG F (Port 2), ACES
Bottle, Air Sample	2	MA16D	
BPSMU	2	MA16N	
Bracket, Base Multiuse		MA9F	Photo TV Stow-n-Go CTB
Bracket, Clamp Multiuse	3	MA9F	Photo TV Stow-n-Go CTB
Bracket, HUD		A17	DTV Camcorder Bag, Mini-Cam (HUD Entry) Camera
Bracket, Lockline Flex		A17	Core Camcorder Bag
Bracket, Lockline Flex	2	MA9F	Photo TV Stow-n-Go CTB
Bracket, Multiuse	3	A16	
Bracket, Multiuse		MF57H	
Bracket, Multiuse	3	MA9F	Photo TV Stow-n-Go CTB
Bracket, Paris		MD Floor	BAG B (Port)
Braycote		MF57C	
Braycote		A/L Floor Bag	
Breaker Bar (Pallet Removal)		MA16D	
Breakout Box		MA16D	
Bungee	2	A16	PILOT Hand Controller
Bungee, Adjustable	7	MF57H	
Bushing		MD Ceiling	BAG F (Port 2), RSK Rail 7
C			
Cabin Fan		MF28M	
Cable Assy, Shutter Release w/Extension		A16	Camera Bag
Cable, A31p Enhanced DC Pwr	2	MA9G	
Cable, A31p Pwr Supply		MA9G	
10/29/08		FS 2-5	REF/126/FIN

<u>ITEM</u>	<u>QTY</u>	<u>LOCATION</u>	<u>NOTES</u>
C (Cont)			
Cable, A31p Video Adapter		MA9G	
Cable, AC Pwr Cont Transfer, 15 ft		MA12B	Window Shade Bag, IFM CHCK Bag
Cable, AC W		MA9J	
Cable, AVIU Video		MA9F	Photo TV Stow-n-Go CTB
Cable, AVIU Video w/BNC Adapter		A17	DTV Camcorder Bag
Cable, Bal/UNBAL Transformer		MA16N	
Cable, Balanced Video	2	MA9F	Photo TV Stow-n-Go CTB
Cable, Biomed	2	MF28H	
Cable, BNC to BNC		MA16N	
Cable, BPSMU AVIU Patch		A17	DTV Camcorder Bag
Cable, BPSMU/CCU Adapter	2	MA16N	
Cable, Comm 14 ft		MF71H	Comm Kit
Cable, Comm 4 ft		MF71H	Comm Kit
Cable, DC Harness, 24 ft	2	MA12B	Window Shade Bag, IFM CHCK Bag
Cable, DC Pigtail Connector	2	MA12B	Window Shade Bag, IFM CHCK Bag
Cable, DC Pwr, 20 ft		MF57G	Vacuum Cleaner
Cable, Digital Camcorder Video/Pwr		A17	DTV Camcorder Bag
Cable, Digital CC Vid/Pwr, 15 ft		L10 Upper	
Cable, Digital CC Video Pwr	5	MA9F	Photo TV Stow-n-Go CTB
Cable, DTV IEEE 4-pin to Female		L10 Upper	
Cable, DTV IEEE 4-pin to Male		L10 Upper	
Cable, Ethernet, 25 ft	2	ML60E	
Cable, Ethernet, 3 ft		MA9J	
Cable, Fuel Cell PCMMU (3=2)		MA9G	
Cable, ICE Crystal Pwr/Data		MF57M	
Cable, ICE Crystal Temp Control		MF57M	
Cable, ICE Crystal Video		MF57M	
Cable, IEEE 1394 4-Pin Firewire		A17	DTV Camcorder Bag
10/29/08		FS 2-6	REF/126/FIN

<u>ITEM</u>	<u>QTY</u>	<u>LOCATION</u>	<u>NOTES</u>
C (Cont)			
Cable, IFM Remote Control		MA12B	Window Shade Bag, IFM CHCK Bag
Cable, LIDAR I/F	2	MA16N	
Cable, MPC to DTV Mux, 3 ft		L10 Upper	
Cable, MPC to DTV Mux, 9 ft		L10 Upper	
Cable, OCA Spare		MA12B	Window Shade Bag, IFM CHCK Bag
Cable, OPP to LCS RJ45		MA9G	
Cable, Parallel Data		MA9J	
Cable, PCMCIA to WIB-Remote		A17	DTV Camcorder Bag
Cable, PCMMU, 24 ft		MA9G	
Cable, PCS Orbiter Comm		ML60E	
Cable, PCS Payload Data		ML60E	
Cable, PD100 A/V Adapter		A17	DTV Camcorder Bag
Cable, PD100 A/V Adapter		MA9F	Photo TV Stow-n-Go CTB
Cable, PDIP RS-422, 24 ft		ML60E	
Cable, PGSC Pwr, 10 ft		MA9G	
Cable, PGSC Pwr, 6 ft		MA16N	
Cable, PILOT RS-232 Pwr/Data Y		A16	PILOT Hand Controller
Cable, PPOV Teac Wye		L10 Upper	
Cable, Pwr, AC, 20 ft		MA9J	
Cable, RCA-RCA	2	A17	DTV Camcorder Bag
Cable, RJ45, 16 ft	2	MA9G	
Cable, RJ45, 32 ft		MA9G	
Cable, RS-232 HHL Data	2	MA16N	
Cable, RS-422 Y		MA9G	
Cable, SSV to PDIP/CIP		MA16N	
Cable, S-Video A31p		A17	DTV Camcorder Bag
Cable, TriPort PCMCIA		MA9G	
Cable, Video IN/OUT		A17	DTV Camcorder Bag
10/29/08		FS 2-7	REF/126/FIN

<u>ITEM</u>	<u>QTY</u>	<u>LOCATION</u>	<u>NOTES</u>
C (Cont)			
Cable, VIU LCD, 20 ft		A17	DTV Camcorder Bag, Mini-Cam (HUD Entry) Camera
Cable, VIU LCD, 20 ft		MA73J	VOL 3B
Cable, VIU/CM-CC Video, 15 ft		A17	DTV Camcorder Bag
Cable, VIU/CM-CC Video, 15 ft	4	MA9F	Photo TV Stow-n-Go CTB
Cable, VLHS to VTS I/F	2	MA9G	
Cable, VPU Patch		A17	DTV Camcorder Bag
Cable, WAP Pwr Supply, 10 ft		MA9G	
Cable, WAP Pwr, 10 ft		MA9G	
Camcorder, Canon HG1 w/Tape		A17	Core Camcorder Bag
Camcorder, PD100 w/Tape		MA73J	VOL 3B
Camera, D2XS w/Card		MA16G	
Camera, DCS 760 w/Card		MA73J	VOL 3B
Camera, Mini-Cam (HUD Entry)		A17	DTV Camcorder Bag
Camera, Mini-Cam (Window 3)		A17	DTV Camcorder Bag
Canister, ATCO		MD52M	LiOH VOL
Canister, LiOH	29	MD52M	LiOH VOL
Canister, WCS (Coffee Can)		MF57H	
CARD		MD Floor	BAG D (Stbd 2)
Card, DCS 760	7	A16	Camera Bag
Card, PCMCIA, 1 GB		MA73J	VOL 3B, DCS 760 Camera w/Card
Card, PCS PCMCIA	2	ML60E	
Cartridge, Black	2	MA9J	Color Printer
Cartridge, Braycote		A/L Floor Bag	Trundle Scraper CTB
Cartridge, Color	2	MA9J	Color Printer
Cartridge, Crack Gun	2	MA9D	
Case, CD Stowage		MA16F	

10/29/08

FS 2-8

REF/126/FIN

<u>ITEM</u>	<u>QTY</u>	<u>LOCATION</u>	<u>NOTES</u>
C (Cont)			
CCA		MD Ceiling	BAG F (Port 2), ACES
CCA	2	MD Ceiling	BAG G (Stbd 1)
CCC	4	MD Floor	BAG C (Stbd 1)
Cell, ICE Crystal		MF57M	
Centerline Camera, Backup		ML60M	
Centerline Camera, Prime		ML60B	
CHECS Resupply		MF71K	
Chem Light, Green	27	MA9N	
Chem Light, Red	28	MA9N	
Clamp, Bracket		A16	
Clamp, Various Sizes	14	MA12B	Window Shade Bag, IFM CHCK Bag
Cleaning Solution		A16	Camera Bag
Cloth Wipes		MF57C	Docking Mechanism Accessory Kit
Clothing Bag, CDR		MF43C	
Clothing Bag, MS1		MF43G	
Clothing, 1st Day	7	WMC	
Clothing, Crew Preference		MF71H	
Clothing, Magnus		MD Ceiling	BAG H (Stbd 2)
Clothing, MS2		MF71G	
Clothing, MS3		MF43M	
Clothing, MS4		MF71M	
Clothing, MS5 DN		MA16J	
Clothing, MS5 UP		MA16J	
Clothing, PLT		MF71C	
COAS		MA16G	
COAX Cable Torque Adapter	2	MD52C	VOL D
Coffee, Kona	39	MD Ceiling	BAG E (Port 1)

10/29/08

FS 2-9

REF/126/FIN

<u>ITEM</u>	<u>QTY</u>	<u>LOCATION</u>	<u>NOTES</u>
C (Cont)			
Computer Desk, Inflight	3	A16	
Computer Desk, Inflight	2	MA9F	Photo TV Stow-n-Go CTB
Concentrator		ML60M	Ultrasonic Leak Detector
Connector, Dead Face		A/L Floor Bag	
Container, Sharps		MF28H	
Converter, IVA 1394	2	A17	DTV Camcorder Bag
Coupler, TWINAX	2	A17	Core Camcorder Bag
Cover, HUD	2	MF57H	
Cover, Parachute	7	MF57H	
Crack Repair Bag		MD52C	VOL D
Crack Repair Palette	2	MD52C	VOL D
Crew Support		MF71O	
CSA-CP	2	MF71K	CHECS Resupply
CSA-CP Assy		MF57C	
CSA-CP Pump		MF71K	CHECS Resupply
CSI-03		MA16F	
CTB, Photo TV Stow-n-Go		MA9F	
CTB, Trundle Scraper		A/L Floor Bag	
CUCD, Male	54	MD80R	VOL G
CWC	2	MD Ceiling	BAG F (Port 2)
CWC	2	MD80R	VOL G
CWC, Condensate Collection		MF57C	
CWC-I	4	MD Ceiling	BAG E (Port 1)
D			
Debris Container		A/L Floor Bag	Trundle Scraper CTB
Digital Camera Mount		MD52C	VOL D
10/29/08		FS 2-10	REF/126/FIN

<u>ITEM</u>	<u>QTY</u>	<u>LOCATION</u>	<u>NOTES</u>
D (Cont)			
Drink Bag, Modified	8	MD Floor	BAG C (Stbd 1)
Drink Bag, Modified In Suit	8	MD Ceiling	BAG G (Stbd 1)
Dry Wipe		A16	Camera Bag
Dry Wipes, Multi-Purpose	73 pkg	MA4D	VOL B
Dry Wipes, Multi-Purpose	29 pkg	WMC	
DTV w/Tape		L10 Lower	
Duxseal		MA16D	
E			
Eating Utensils		MF57A	VOL A, Pantry Food
ECOK		MD Ceiling	BAG G (Stbd 1)
Emittance Wash Applicator	2	MD52C	VOL D
EMU – EV1 (see EVA C/L)		External A/L	STBD
EMU – EV2 (see EVA C/L)		External A/L	PORT
Entry Garments		MD Ceiling	BAG G (Stbd 1)
ERADK		MF43H	
Ethernet T-Connector		MA9J	
EVA Gap Gauge		A/L Floor Bag	Trundle Scraper CTB
EVA Grease Gun, J-Hook	2	MD Floor	BAG C (Stbd 1)
EVA Wipes	5	MD52C	VOL D
EVA Wipes	16	A/L Floor Bag	Trundle Scraper CTB
Expansion Assembly	3	ML60E	
Extension, 4 in		MA16D	
External TV Camera Group	2	MD Ceiling	BAG E (Port 1)

10/29/08

FS 2-11

REF/126/FIN

<u>ITEM</u>	<u>QTY</u>	<u>LOCATION</u>	<u>NOTES</u>
F			
FDF		C4A	
FDF		C4F	
FDF		MF43E	
FDF		MF57E	
FDF		R3A	
FDF		R3F	
Feeler Gauge	4	ML60B	
Fiberscope Light Source		MA9N	
Fiberscope, Video		MA9N	
Filter, Microbe (Spare)		MA9L	
Filter, NI-CR		MA16G	COAS
Filter, OBF		MD80R	VOL G
Filter, Polarizing Modified		A16	Camera Bag
Filter, Wand Extender Assy		MA12B	Window Shade Bag, Water Equipment Assy
Filter, Waste Water Dump		MA16D	
Flash	2	A16	Camera Bag
Flash		MA73J	VOL 3B
Flash Assy w/Batt	2	A16	Camera Bag
Flow Shut Off Valve	2	MD52C	VOL D
FMK		MF71K	CHECS Resupply
Food, Fresh		MF14E	
Food, Fresh		MF14G	
Food, Menu		MF14G	
Food, Menu		MF14H	
Food, Menu		MF14K	
Food, Menu		MF14M	
Food, Menu		MF14O	
Food, Menu		MF28O	
10/29/08		FS 2-12	REF/126/FIN

<u>ITEM</u>	<u>QTY</u>	<u>LOCATION</u>	<u>NOTES</u>
F (Cont)			
Food, U.S. Fuel Reservoir	2	MD Ceiling MA16F	BAG E (Port 1)
G			
Galley		MD Floor	BAG A (Port)
Galley Needle (Spare)		MA12B	Window Shade Bag, Water Equipment Assy
GAP Cylinder	5	MF28K	
Gimbal	2	MD Floor	BAG C (Stbd 1), MWS
GLACIER		MF28E	
Gloves	1 pkg	MA4D	VOL B
Gloves		MD Ceiling	BAG F (Port 2), ACES
Gloves	1 pkg	MD80R	VOL G
Gloves	2 pkg	WMC	
Gloves		MD Floor	BAG B (Port)
Gloves, ACES	2 pr	MF71H	
Gloves, Clean Room		MA12B	Window Shade Bag, IFM CHCK Bag
Gloves, Cryo		MF28K	
Gloves, Nitrile	40	MD52M	LiOH VOL
Gloves, Nitrile		MD Ceiling	BAG H (Stbd 2)
Gloves, Phase VI	6 pr	MD Ceiling	BAG G (Stbd 1)
Gloves, Shoulder length	1 pkg	MA4D	VOL B
Grab Sampler	3	MF71K	CHECS Resupply
G-Suit		MD Ceiling	BAG F (Port 2), ACES
G-Suit	6	MD52M	LiOH VOL

10/29/08

FS 2-13

REF/126/FIN

<u>ITEM</u>	<u>QTY</u>	<u>LOCATION</u>	<u>NOTES</u>
H			
Hard Drive, 60 GB	2	ML60E	
Harness		MD Ceiling	BAG F (Port 2), ACES
Harness, Centerline Backup		ML60M	
Harness, Centerline Camera		ML60B	
Headphones		A17	Core Camcorder Bag
Headrest, RSK		MD Ceiling	BAG F (Port 2), RSK Rail 7
Headset		ML60M	Ultrasonic Leak Detector
HOBO Data Logger	3	MA9D	
Hose		MD Floor	BAG A (Port), Galley
Hose, 1/4 in (6 ft)		MA12B	Window Shade Bag, IFM CHCK Bag
Hose, 3/8 in (6 ft)		MA12B	Window Shade Bag, IFM CHCK Bag
Hose, ACTEX		MA9L	
Hose, Cont Blue/Blue		MA12B	Window Shade Bag, IFM CHCK Bag
Hose, Cont Red/Red		MA12B	Window Shade Bag, IFM CHCK Bag
Hose, Cont Yellow/Yellow		MA12B	Window Shade Bag, IFM CHCK Bag
Hose, CWC Contingency		MA12B	Window Shade Bag, IFM CHCK Bag
Hose, Filter Hose Assy		MA9L	
Hose, Galley		MD Floor	BAG D (Stbd 2)
Hose, O2 Contingency		MA12B	Window Shade Bag, IFM CHCK Bag
Hose, OGA	4	MD Floor	BAG D (Stbd 2)
Hose, Personal Hygiene		MF57H	
Hose, SUPA	16	MF57C	
Hose, SUPA		WMC	
Hose, WCS Canister		MF57H	
Hose, Y-Y 8 ft Condensate		MF57C	
HRM	2	MF43H	

10/29/08

FS 2-14

REF/126/FIN

<u>ITEM</u>	<u>QTY</u>	<u>LOCATION</u>	<u>NOTES</u>
I			
ICU Bracket	2	MD Ceiling	BAG F (Port 2)
ICU Strap		MD Ceiling	BAG F (Port 2)
IELK		MD Ceiling	BAG H (Stbd 2)
IFM Fastener Retainer Cushion		MA16D	
IFM Tools		MF28G	
IFM Tools		MA16L	
INBOARD – See EVA C/L		MD23R	VOL H
ISS Med Kit		MF71K	CHECS Resupply
K			
Key Strap		MD Floor	BAG C (Stbd 1), MWS
Kit, Blood Collection	2	MF43H	
Kit, Blood Collection		MF57M	
Kit, Comm		MF71H	
Kit, Contaminant Cleanup		MA9N	
Kit, Docking Mechanism Accessory		MF57C	
Kit, Dosimeter		MF28H	
Kit, DTV MUX Fuse (5-5A, 3-2A)		A17	DTV Camcorder Bag
Kit, Electrode		MF28H	
Kit, Fluid Loading	2	MA9N	
Kit, Foam Applicator	2	MA16D	
Kit, Food		MF28M	
Kit, Medical Accessory		MF28H	
Kit, Medical Accessory		MF28K	
Kit, Mineral Syringe		MF28K	
Kit, MPLM		MF71H	
Kit, Operational Bioinstrumentation System		MF28H	
10/29/08		FS 2-15	REF/126/FIN

<u>ITEM</u>	<u>QTY</u>	<u>LOCATION</u>	<u>NOTES</u>
K (Cont)			
Kit, Personal Hygiene (PHK)	7	MA9N	
Kit, RMS D&C IFM		MA16D	
Kit, Saliva Collection		MF43H	
Kit, Saliva Collection		MF57M	
Kit, Sample Purge		MF28K	
Kit, Silver Biocide		MF28K	
Kit, Silver Biocide		MD Floor	BAG A (Port)
Kit, SOMS Resuscitator		MF43H	
Kit, SSV Fuse		MA16N	
L			
Laptop, A31p		ML60E	
Large Area Wipe	16	A/L Floor Bag	Trundle Scraper CTB
LCG Shirt		MD Ceiling	BAG F (Port 2), ACES
LCVG		MD Ceiling	BAG G (Stbd 1)
Lens Cap	3	A16	Camera Bag
Lens, 12mm		A17	DTV Camcorder Bag, Mini-Cam (HUD Entry) Camera
Lens, 12mm		A17	DTV Camcorder Bag, Mini-Cam (Window 3) Camera
Lens, 16mm		A16	Camera Bag
Lens, 17-35mm	2	A16	Camera Bag
Lens, 28-70mm		MA73J	VOL 3B
Lens, 28mm		A16	Camera Bag
Lens, 400mm		MA73J	VOL 3B
Lens, 6mm		A17	DTV Camcorder Bag, Mini-Cam (Window 3) Camera
10/29/08		FS 2-16	REF/126/FIN

<u>ITEM</u>	<u>QTY</u>	<u>LOCATION</u>	<u>NOTES</u>
L (Cont)			
Lens, 80-200mm		A16	Camera Bag
Lens, 8mm Fisheye		A17	DTV Camcorder Bag
Lens, PD100 Wide Conversion		MA9F	Photo TV Stow-n-Go CTB
Lens, Wide Angle		A17	Core Camcorder Bag
LIDAR		MA16N	
LIDAR w/Nightscope		MA16N	
Light Shade	2	MA16G	
Lubricant		MA16D	
M			
Mask, Surgical Filter	30	MD52M	LiOH VOL
Mic, Handheld	3	MF71H	Comm Kit
Microbial Check Valve		MA9L	
Microphone w/Batt		A17	Core Camcorder Bag
Mirror, Personal Hygiene	2	MF57H	
Mirror, Personal Hygiene	2	MF71H	
Monitor, LCD w/Batts		MA73J	VOL 3B
MPC		L10 Upper	
Multiplexer		MD52C	VOL D
MWS		MD Floor	BAG C (Stbd 1)
MWS Swingarm RH		MD52C	VOL D
N			
NADA Chair	3	MF71H	
NLP Cells		MF71E	
10/29/08		FS 2-17	REF/126/FIN

<u>ITEM</u>	<u>QTY</u>	<u>LOCATION</u>	<u>NOTES</u>
O			
O2 Bleed Orifice		MF71H	PIP Pin Assy
OCA Board		MA9G	
OCAC		MA73J	VOL 3B
OFK/PPK		MD76C	VOL E
OIU		L11	
O-Ring Viton		MF71H	PIP Pin Assy
O-Ring, Bore Seal	2	MF57C	
O-Ring, Bore Seal	2	A/L Floor Bag	
O-Ring, Face Seal	2	MF57C	
O-Ring, Face Seal	2	A/L Floor Bag	
OUTBOARD – See EVA C/L		MD23R	VOL H
P			
Panel Cover, A8, Fastener	6	MA12B	Window Shade Bag
Panel Cover, A8, Lower		MA12B	Window Shade Bag
Panel Cover, A8, Upper		MA12B	Window Shade Bag
Panel Cover, R2, Elastic Tie Down		MA12B	Window Shade Bag
Panel Cover, R2, Snap Tie	2	MA12B	Window Shade Bag
Panel Cover, R2, Standoff	5	MA12B	Window Shade Bag
Panel Cover, R2, Stiffener	2	MA12B	Window Shade Bag
Pantry Food		MF57A	VOL A
Paper	2	MA9J	Color Printer
Paper, Color Printer		MF28K	
PDIP 1		L12	
PDIP 2		L11	
PEEL Layer	4	MD Floor	BAG C (Stbd 1)
10/29/08	FS 2-18		REF/126/FIN

<u>ITEM</u>	<u>QTY</u>	<u>LOCATION</u>	<u>NOTES</u>
P (Cont)			
PGSC, STS-1 – OCA Router		ML60E	
PGSC, STS-2 – Windecom		ML60E	
PGSC, STS-3 – KFX		ML60E	
PGSC, STS-4 – Worldmap		ML60E	
PGSC, STS-5 – RPOP		ML60E	
PGSC, STS-6 – WLES		ML60E	
PHK, Community		MA9N	
Photo Floodlight		MA16G	
PILOT Hand Controller		A16	
PIP Pin	12	MF71H	PIP Pin Assy
PIP Pin Assy		MF71H	
PIP Pin, Egress Pole/Spare		MF71H	
Pistol Grip Tool		MD Floor	BAG C (Stbd 1)
Plug Attach Bolt	4	MF43K	
Plug Tethers	3	MF43K	
Prefilter, Conical	20	MA4D	VOL B
Prefilter, Conical	20	WMC	
Printer, Color		MA9J	
Probe, Extension	3	ML60M	Ultrasonic Leak Detector
Protective Cover Wireway	3	MA12B	Window Shade Bag
Pry Bar, Window 8		A17	
Pull-Ups	24	MD80R	VOL G
PWD		MD Floor	BAG A (Port), Galley
Pwr Supply, DC	2	ML60E	
Pwr Supply, MPC		L10 Upper	
Pwr Supply, PGSC 28VDC	8	ML60E	

10/29/08

FS 2-19

REF/126/FIN

<u>ITEM</u>	<u>QTY</u>	<u>LOCATION</u>	<u>NOTES</u>
Q			
Quick Don Mask	4	A17	
Quick Don Mask	3	MA73J	VOL 3B
Quick Don Mask		MD Floor	BAG B (Port)
R			
Rack Front Restraint		A/L Floor Bag	
Radiation Area Monitor	22	MF71K	CHECS Resupply
RCC NOAX Tubes	10	MA9D	
RCC Plug Cover Plate	19	MF43K	
RCC Scraper 2 in	4	MD52C	VOL D
RCC Scraper 5 in	2	MD52C	VOL D
Receiver		ML60M	Ultrasonic Leak Detector
Recorder, V10 w/Tape	4	MA9F	Photo TV Stow-n-Go CTB
Relay	3	MA9G	
Remote, DTV	2	MA9F	Photo TV Stow-n-Go CTB
Restraint	4	MF28H	
Restraint, Foot Loop (Spare)	6	MA9N	
Restraint, Seat (Spare)	2	MA9N	
RFTA		MD Floor	BAG D (Stbd 2)
RSK Rail 7		MD Ceiling	BAG F (Port 2)
Ruler		MD52C	VOL D
S			
SAFER Hand Control		MD Floor	BAG C (Stbd 1)
Saline	2	MF28H	
10/29/08		FS 2-20	REF/126/FIN

<u>ITEM</u>	<u>QTY</u>	<u>LOCATION</u>	<u>NOTES</u>
S (Cont)			
Sample Bag, VCAM	10	MD Floor	BAG B (Port)
Sample Probe		MF71K	CHECS Resupply
Sampling Pump		MF57C	CSA-CP Assy
Sampling Pump Filter		MF57C	CSA-CP Assy
Scraper Tool		WMC	
Screws	4	ML60B	
Separator, Water/Gas	2	MA12B	Window Shade Bag, Water Equipment Assy
Shade, CCTV Monitor	2	MA12B	Window Shade Bag
Shoes, Athletic		MD Ceiling	BAG H (Stbd 2)
Shorts, Athletic	10	MD Ceiling	BAG E (Port 1)
Shorts, Crew Preference	12	MD Floor	BAG B (Port)
Signal Conditioner		MD Ceiling	BAG G (Stbd 1)
Socks, X-Static Crew	7	MD Ceiling	BAG E (Port 1)
Socks, X-Static Crew	4	MD Ceiling	BAG H (Stbd 2)
SODF		MF57E	
SODF		MF57K	
Sony DSR-25 VTR		MD52C	VOL D
SPAS/OPP/OBSS		R12	
Sphere Tray		MA16F	
Spotlight		MA73J	VOL 3B
SSP-1/SSP-2		L12	
SSV Compression Encoder		MA16N	
SSV Position Holder		MF71K	CHECS Resupply
Stowage Box, Digital Video	7	MD Floor	BAG B (Port)
Stowage Box, High 8 Video	2	MD Floor	BAG B (Port)
Subpack, Airway		MF28H	
Subpack, Drug		MF28H	
Subpack, EENT		MF28H	
10/29/08		FS 2-21	REF/126/FIN

<u>ITEM</u>	<u>QTY</u>	<u>LOCATION</u>	<u>NOTES</u>
S (Cont)			
Subpack, IV Administration		MF28H	
Subpack, Saline Supply		MF28H	
Subpack, Trauma		MF28H	
Supply Water Dump Line Purge Assy		MA12B	Window Shade Bag, Water Equipment Assy
Switch Guard		MF57H	
T			
Tape, Digital Video	19	A17	Core Camcorder Bag
Tape, Digital Video	171	L10 Upper	
Tape, Digital Video	25	MA9F	
Tape, Gray 1 in		MF57H	
Tape, Gray 1 in		MF71H	
Tape, Gray 2 in		MF57H	
Tape, Gray 2 in		MF71H	
Tape, Sony Video	14	L10 Upper	
T-Bar	4	MF43K	
Template Mount		MD Floor	BAG C (Stbd 1)
TESS Liner		MD Floor	BAG D (Stbd 2)
Tether Extension		MD52C	VOL D
Tether, Adjustable Equipment	6	A/L Floor Bag	Trundle Scraper CTB
Tether, Body Restraint		MD Floor	BAG C (Stbd 1)
Tether, Retractable Equipment	16	MD Floor	BAG C (Stbd 1)
Tether, Safety, 85 ft	2	MD Floor	BAG C (Stbd 1)
Tether, Waist	4	MD Floor	BAG C (Stbd 1)
Thermal Blanket, EVA		A16	Camera Bag

10/29/08

FS 2-22

REF/126/FIN

<u>ITEM</u>	<u>QTY</u>	<u>LOCATION</u>	<u>NOTES</u>
T (Cont)			
Tie Wrap	10	A16	PILOT Hand Controller
Tie Wrap, 14 in		A17	DTV Camcorder Bag, Mini-Cam (HUD Entry) Camera
TOCA		MD Floor	BAG A (Port)
TOCA Analysis Pack	27	MF71K	CHECS Resupply
Tool Stowage		MD Floor	BAG C (Stbd 1), MWS
Tool, Cabin Fan Filter		MF57G	Vacuum Cleaner
Tool, Crevice		MF57G	Vacuum Cleaner
Tool, DDU Filter Flex Modular		MF57G	Vacuum Cleaner
Tool, Flex Hose/Suction Hose		MF57G	Vacuum Cleaner
Tool, Hose Adapter		MF57G	Vacuum Cleaner
Tortillas	20	MD Ceiling	BAG E (Port 1)
Towel		MF57C	
Towels	36	WMC	
Transmitter		ML60M	Ultrasonic Leak Detector
Trash Bag		A/L Floor Bag	Trundle Scraper CTB
Trash Bag, Aux Wet		WMC	
Trash Bag, Coffee Can	16 pkg	MA4D	VOL B
Trash Bag, Coffee Can	10 pkg	WMC	
Trash Bag, Lg		MD Floor	BAG C (Stbd 1)
Trash Bag, Wet		MD76M	VOL F
Trash Bag, WMC (Spare)		MA9N	
Tray, Color Printer	2	MA9L	
Trundle Bearing	4	A/L Floor Bag	Trundle Scraper CTB
Turnbuckle	3	MA16D	

10/29/08

FS 2-23

REF/126/FIN

<u>ITEM</u>	<u>QTY</u>	<u>LOCATION</u>	<u>NOTES</u>
U			
UDHR		MF28M	
Ultraport Camera Assy	2	ML60E	
Ultrasonic Leak Detector		ML60M	
Universal Repair Plug		MF43K	
Urinal Funnel, Female Oblong	2	WMC	
Urinal Funnel, Female Round		WMC	
Urinal Funnel, Male	5	WMC	
V			
Vacuum Cleaner		MF57G	
Valve, J-Hook	2	MD Floor	BAG C (Stbd 1)
VCAM Consumables ORU		MD Floor	BAG B (Port)
Viewfinder, EVA		A16	Camera Bag
VIP		MD52C	VOL D
VLHS	2	MF71H	Comm Kit
VPU		R12	
VPU Plug		L10 Upper	
W			
Washcloth		MA9J	
Washcloths	32	WMC	
Washer	4	ML60B	
Water Dispenser, Contingency		MA12B	Window Shade Bag, Water Equipment Assy
Water Equipment Assy		MA12B	Window Shade Bag
WCS Tool		WMC	
10/29/08		FS 2-24	REF/126/FIN

<u>ITEM</u>	<u>QTY</u>	<u>LOCATION</u>	<u>NOTES</u>
W (Cont)			
Wet Washes	50 pkg	MA4D	VOL B
Wet Washes	6 pkg	WMC	
WHC Cover		MD Floor	BAG D (Stbd 2)
Window Shade, Ovhd	2	MA12B	Window Shade Bag
Window Shield, Ovhd	2	MA12B	Window Shade Bag
Wipes, Disinfectant	7 pkg	MA4D	VOL B
Wipes, Disinfectant	3 pkg	WMC	
Wire Harness	3	A/L Floor Bag	
Wireless RF Network Card		MA9G	
WLE Receiver		MA9G	
Work Light	2	A/L Floor Bag	
Z			
Zero Filter Assy		MF57C	CSA-CP Assy
Ziplock Bag, 12x12	8	MF57H	
Ziplock Bag, 13x18	8	MD80R	VOL G
Ziplock Bag, 8x8	12	MF57H	
Ziplock, 13x18	15	A17	DTV Camcorder Bag
Ziplocks	15	MA9J	Color Printer

10/29/08

FS 2-25

REF/126/FIN

┌

—

┐

—

This Page Intentionally Blank

—

└

FS 2-26

REF/126/FIN

—

└

FDF DOCUMENTATION STOWAGE

LAUNCH CONFIG – LOCKER..... FS 3-2
– ALPHABETICAL..... FS 3-3

FDF

FS 3-1

REF/126/FIN

FDF

**LAUNCH CONFIG – LOCKER
(EXCLUDES “CARRY-ON” ITEMS)**

R3A

Data Card Kit
ASC Data Cards
DEORB and ENT Data
Cards
ORBIT Data Cards

R3F

ENT
POST INSERTION
SYS AOA

C4A

FDF Accessory Kit 1

C4F

ENT
POST INSERTION
SYS AOA

MF57E – ½ LOCKER

CD, EVA Photo (2)
CD, EVA Procedures (2)
CD-ROM Disk Set
CD, Crew Systems
Reference
CD, ISS Ext Images
CD, Landing Sites
CD, Payload Bay Closeout
Photos
CD, PILOT
CD, STS-126 FDF Books
CD, TV Controller (CTVC)
DVD, A31p OCA Router
Reload
DVD, A31p STS PGSC
Reload
DAP Covers (2)
Disk Sleeve Unit
Disk Stowage Bags (2)
(Ziplock w/Velcro)
Disk, Blank Formatted (2)
PCMCIA Hard Disk – Late
Updates (2)
USB Thumbdrive (7)
EVA (2)
EVA Cue Card Kit

MF57E – ½ LOCKER

(Cont)
EVA Cuff Kit
EVA Cuff C/L (2)
FDF Accessory Kit 2
Hard Drive – A31p OCA
Router Load
Hard Drive – A31p STS Load
IFM
MAL (Vols I and II)
MED
Message Folder
Ultrabay Adapter

MF43E – FULL LOCKER

DEORBIT PREP (4)
Flight Deck Stowage Bag 1
Book Clip, Gold (6)
Clamp, Book (4)
CONT DEORB (2)
ENT PKT (2)
ORB OPS
ORB PKT
PHOTO TV
REF DATA

MF43E – FULL LOCKER

(Cont)
Flight Deck Stowage Bag 2
Book Clip, Gold (6)
Clamp, Book (3)
FLIGHT PLAN (2)
ORB OPS
ORB PKT
PDRS OPS (2)
RNDZ (2)
Middeck Cue Card Kit
ORB OPS
Overlay Kit
PDRS Cue Card Kit
PDRS Overlay Kit
PDRS OPS
PHOTO TV – FS only
PHOTO TV Cue Card Kit
PL OPS (2)
PL OPS Cue Card Kit
PL SYS (2)
RNDZ (2)
RNDZ Cue Card Kit
RNDZ Overlay Kit
Star Chart

LAUNCH CONFIG – ALPHABETICAL

ITEM NAME	QTY	STOWAGE LOCATION		
A31P PGSC Camera A/D Range Ruler Cue Card	1	MF43E	RNDZ Cue Card Kit	RNDZ Overlay Kit
A31P PGSC Display of C/L Camera Corridor and Alignment Cue Card	1	MF43E	RNDZ Cue Card Kit	RNDZ Overlay Kit
ADI Error/Rate Switch (ASC) ADI Error/Rate Switch (ENT) Cue Card	2	CARRY-ON		
AFT Flight Deck Reconfiguration Cue Card	1	CARRY-ON		
Airway (ILMA) Cue Card	1	MED SOMS Kit		
Analog Playback Cue Card	1	MF43E	Photo TV Cue Card Kit	
AOA Deorbit Burn (2 Eng) AOA Deorbit Burn (1 Eng) Cue Card	2	R3A	Data Card Kit	Ascent Data Cards
AOA Deorbit Burn (RCS) Cue Card	2	R3A	Data Card Kit	Ascent Data Cards
Approach VBAR Approach Cue Card	3	MF43E	RNDZ Cue Card Kit	
ASC C/L	4	CARRY-ON		
ASC PKT C/L	4	CARRY-ON		
Ascent ADI – Nominal Entry Alpha – KSC 15 Cue Card	3	CARRY-ON		
Ascent Flip Book	2	CARRY-ON		
Ascent Flip Book Support	2	CARRY-ON		
Ascent/Abort Summary Cue Card	2	CARRY-ON		
Ascent/Entry Spec Cue Card	1	CARRY-ON		

10/22/08

FS 3-3

REF/126/FIN

LAUNCH CONFIG – ALPHABETICAL (Cont)

ITEM NAME	QTY	STOWAGE LOCATION		
Binder Clip, Black	6	MF57E	FDF Accessory Kit 2	
Binder Rings, Metal	3	MF57E	FDF Accessory Kit 2	
Binder Rings, Nylon	12	MF57E	FDF Accessory Kit 2	
Book Clip, Gold	2	C4A	FDF Accessory Kit 1	
Book Clip, Gold	2	MF43E	FD Stowage Bag 1	Pocket D
Book Clip, Gold	2	MF43E	FD Stowage Bag 1	Pocket E
Book Clip, Gold	2	MF43E	FD Stowage Bag 1	Pocket F
Book Clip, Gold	2	MF43E	FD Stowage Bag 2	Pocket D
Book Clip, Gold	2	MF43E	FD Stowage Bag 2	Pocket E
Book Clip, Gold	2	MF43E	FD Stowage Bag 2	Pocket F
Book Clip, Gold	4	MF57E	FDF Accessory Kit 2	
C/L Camera Corridor and Alignment Cue Card	1	MF43E	RNDZ Cue Card Kit	RNDZ Overlay Kit
C/L Camera Target Alignment (+Vbar) Cue Card	2	MF43E	RNDZ Cue Card Kit	
C/L Camera Zoom Calibration (Ring Ready For Dock) Cue Card	1	MF43E	RNDZ Cue Card Kit	RNDZ Overlay Kit
Cable Ties w/tags	6	MF57E	FDF Accessory Kit 2	
Camera A/D Range Ruler Cue Card	1	MF43E	RNDZ Cue Card Kit	RNDZ Overlay Kit
CD, Crew Systems Reference	1	MF57E	CD-ROM Disc Set	
CD, EVA Photo CD	2	MF57E		
CD, EVA Procedures	2	MF57E		
CD, ISS Ext Images	1	MF57E	CD-ROM Disc Set	

10/22/08

FS 3-4

REF/126/FIN

LAUNCH CONFIG – ALPHABETICAL (Cont)

ITEM NAME	QTY	STOWAGE LOCATION		
CD, Landing Site	1	MF57E	CD-ROM Disc Set	
CD, Payload Bay Closeout Photos	1	MF57E	CD-ROM Disc Set	
CD, PILOT	1	MF57E	CD-ROM Disc Set	
CD, STS-126 FDF Books	1	MF57E	CD-ROM Disc Set	
CD, TV CONTROLLER (CTVC)	1	MF57E	CD-ROM Disc Set	
CDR Window Flip Book	1	CARRY-ON		
CD-ROM Disc Set	1	MF57E	CD-ROM Disc Set	
Clamp, Book	3	MF43E	FD Stowage Bag 2	Pocket B
Clamp, Book	3	MF57E	FDF Accessory Kit 2	
Clamp, Book	4	MF43E	FD Stowage Bag 1	Pocket B
Cont Abort RTLS Cont Cue Card	4	CARRY-ON		
CONT DEORB	2	MF43E	FD Stowage Bag 1	Pocket C
Crew Notebook	8	CARRY-ON		
D/O Burn Flight Rules Cue Card	2	R3A	Data Card Kit	
D/O Burn Monitor OMS Failures Cue Card	2	R3A	Data Card Kit	
D/O Burn (2 Eng) D/O Burn (1 Eng) Cue Card	2	R3A	Data Card Kit	
D/O Burn (RCS) Cue Card	2	R3A	Data Card Kit	

10/22/08

FS 3-5

REF/126/FIN

LAUNCH CONFIG – ALPHABETICAL (Cont)

ITEM NAME	QTY	STOWAGE LOCATION		
D2Xs Setup Cue Card	1	MF43E	Photo TV Cue Card Kit	
DAP Covers	2	MF57E		
Data Card Kit	1	R3A	Data Card Kit	
DEORB PREP	4	MF43E		
Depress/Repress-Nom Failed Leak Check Cue Card	1	MF57E	EVA Cue Card Kit	
Digital Playback Cue Card	1	CARRY-ON		
Disk Sleeve Unit	1	MF57E	Disk Sleeve Unit	
Disk Stowage Bags (Ziplock w/Velcro)	2	MF57E	Disk Sleeve Unit	
Disk, Blank Formatted	2	MF57E	Disk Sleeve Unit	
Docking Sequence Cue Card	2	MF43E	RNDZ Cue Card Kit	
Drafting Dots	20	C4A	FDF Accessory Kit 1	
Drafting Dots	20	MF43E	RNDZ Cue Card Kit	RNDZ Overlay Kit
Drafting Dots	20	MF43E	PDRS Cue Card Kit	PDRS Overlay Kit
Drafting Dots	20	MF57E	FDF Accessory Kit 2	
DVD, A31p OCA Router Reload	1	MF57E	CD-ROM Disc Set	
DVD, A31p STS PGSC Reload	1	MF57E	CD-ROM Disc Set	
Emergency Egress (Oversized) Cue Card	1	CARRY-ON		
Emergency Egress ACES Troubleshooting Cue Card	4	CARRY-ON		

10/22/08

FS 3-6

REF/126/FIN

LAUNCH CONFIG – ALPHABETICAL (Cont)

ITEM NAME	QTY	STOWAGE LOCATION		
ENT C/L	1	C4F		
ENT C/L	1	R3F		
ENT C/L	2	CARRY-ON		
ENT PKT C/L	2	CARRY-ON		
ENT PKT C/L	2	MF43E	FD Stowage Bag 1	Pocket A
Entry Control High Freq OSC or Surf/Jet Cyc Cue Card	2	CARRY-ON		
Entry Maneuvers Cue Card	2	CARRY-ON		
Entry No-Go C/L Emergency Egress Cue Card	2	R3A	Data Card Kit	D/O & Entry Data Cards
Eraser	1	C4A	FDF Accessory Kit 1	
Eraser	1	MF57E	FDF Accessory Kit 2	
Ergometer Cue Card	1	Shoe Bag		
Escape Panel Egress Cue Card	1	CARRY-ON		
ET Photo Cue Card	2	CARRY-ON		
ET Sep Cue Card	1	CARRY-ON		
EVA C/L	2	MF57E		
EVA Cuff C/L	2	MF57E	EVA Cuff Kit	
EVA Cuff Kit	1	MF57E	EVA Cuff Kit	
FD Stowage Bag 1	1	MF43E		

10/22/08

FS 3-7

REF/126/FIN

LAUNCH CONFIG – ALPHABETICAL (Cont)

ITEM NAME	QTY	STOWAGE LOCATION		
FD Stowage Bag 2	1	MF43E		
FD3 Docking Orbiter w/ISS CO2 Absorber Replacement LiOH Canister Stowage Locations Cue Card	1	CARRY-ON		
Fire/Smoke (A/E) Fire/Smoke (Orbit) Cue Card	1	CARRY-ON		
Flight SUB ANG Ruler Cue Card	1	MF43E	RNDZ Cue Card Kit	RNDZ Overlay Kit
FLT PLN	2	MF43E	FD Stowage Bag 2	Pocket C
FMI TAL Redesignation ECAL-ZZA or MRN or FMI Prime TAL Cue Card	2	CARRY-ON		
Galley Iodine Removal Assembly (GIRA) Installation CWC (Contingency Water Container) Fill Cue Card	1	CARRY-ON		
Generic End Effector – Shuttle Not Docked Ops Generic End Effector – ISS/Shuttle Docked Ops Cue Card	1	MF43E	PDRS Cue Card Kit	
Glue stick	1	C4A	FDF Accessory Kit 1	
GPC/FCS Channel Config Cue Card	1	CARRY-ON		
GPC/MDM Failure Response RNDZ Ref Data Cue Card	2	MF43E	RNDZ Cue Card Kit	
Grease Pencil, Black	1	C4A	FDF Accessory Kit 1	
Grease Pencil, Red	1	C4A	FDF Accessory Kit 1	
Hard Drive, A31p OCA Router Load	1	MF57E		

10/22/08

FS 3-8

REF/126/FIN

LAUNCH CONFIG – ALPHABETICAL (Cont)

ITEM NAME	QTY	STOWAGE LOCATION		
Hard Drive, A31p STS Load	1	MF57E		
Hazard Spill Response – Orbiter Cue Card	1	MF43E	Middeck Cue Card Kit	
Highlighter, Narrow Tip, Blue	2	MF57E	FDF Accessory Kit 2	
Highlighter, Narrow Tip, Green	2	MF57E	FDF Accessory Kit 2	
Highlighter, Narrow Tip, Yellow	2	MF57E	FDF Accessory Kit 2	
IDC Cue Card	1	MF43E	Photo TV Cue Card Kit	
IFM C/L	1	MF57E		
KU Antenna Overlay Cue Card	1	MF43E	Overlay Kit	
KU OPS Cue Card	1	R3A	Data Card Kit	Orbit Data Cards
LCS Cue Card	1	MF43E	Photo TV Cue Card Kit	
LDRI/ITVC A7 PLACARD Cue Card	1	CARRY-ON		
LDRI/ITVC Cue Card	1	MF43E	Photo TV Cue Card Kit	
Leaking OMS Prplt/He Burn Cue Card	2	R3A	Data Card Kit	Orbit Data Cards
LOC/Breakup Cue Card	2	CARRY-ON		
MAL	1	MF57E		
MAPS	1	CARRY-ON		
MAUI – RCS Firing Sequence Cue Card	2	R3A	Data Card Kit	Orbit Data Cards
Mechanical Pencil	4	C4A	FDF Accessory Kit 1	
Mechanical Pencil	8	MF57E	FDF Accessory Kit 2	
MED	1	MF57E		

10/22/08

FS 3-9

REF/126/FIN

LAUNCH CONFIG – ALPHABETICAL (Cont)

ITEM NAME	QTY	STOWAGE LOCATION		
Medication Data Log Cue Card	1	SOMS Kit	FDF Flown in other locations	MED SOMS Kit
Message Folder	1	MF57E		
Middeck Reconfiguration Cue Card	1	CARRY-ON		
Midodrine Pill Ingestion Cue Card	1	ACES	Midodrine Pill Ingestion Kit / ACES	
MN C-DC Utility Power MO63P Cue Card	1	MF43E	Middeck Cue Card Kit	
MPS 1 Cue Card	1	CARRY-ON		
MPS 2 Cue Card	3	CARRY-ON		
MPS He P (Pre MECO) / MPS PNEU TK (Reg) P Cue Card	1	CARRY-ON		
MRN TAL Redesignation ECAL-ZZA or MRN or FMI Prime TAL Cue Card	2	CARRY-ON		
MS Middeck Activities Cue Card	1	MF43E	Middeck Cue Card Kit	
MS Middeck Backout Activities Cue Card	1	MF43E	Middeck Cue Card Kit	
OBSS LDRI/ITVC Grid Overlay Cue Card	1	MF43E	PDRS Cue Card Kit	PDRS Overlay Kit
OBSS Scan Pattern Cue Card – STBD & Port OBSS Scan Pattern Cue Card – Nose Cap Cue Card	1	MF43E	PDRS Cue Card Kit	
OBSS Scan Pattern Cue Card – Wing Glove & Crew Cabin Cue Card	1	MF43E	PDRS Cue Card Kit	
OBSS SJ Grapple at Handoff Cue Card	1	MF43E	PDRS Cue Card Kit	PDRS Overlay Kit
OBSS SJ Ungrapple at Handoff Cue Card	1	MF43E	PDRS Cue Card Kit	PDRS Overlay Kit
ODS Volume Fire/Smoke Cue Card	1	MF43E	Middeck Cue Card Kit	

10/22/08

FS 3-10

REF/126/FIN

LAUNCH CONFIG – ALPHABETICAL (Cont)

ITEM NAME	QTY	STOWAGE LOCATION		
OMS 2 Burn Monitor OMS Failures Cue Card	4	CARRY-ON		
OPS 1/6/TAL Transition Restrng Post OPS 3 GRTLS Transition Restrng Cue Card	2	CARRY-ON		
ORB OPS C/L	1	MF43E	FD Stowage Bag 1	Pocket B
ORB OPS C/L	1	MF43E	FD Stowage Bag 2	Pocket A
ORB OPS C/L	1	MF43E		
ORB PKT C/L	1	MF43E	FD Stowage Bag 1	Pocket B
ORB PKT C/L	1	MF43E	FD Stowage Bag 2	Pocket A
Orbit Burn Monitor OMS Failures Cue Card	2	R3A	Data Card Kit	Orbit Data Cards
Orbit Spec (R11) Primary C/W Parameter Matrix Cue Card	1	R3A	Data Card Kit	Orbit Data Cards
Overlay for ROEU PL SEL Position Cue Card	1	MF43E	PDRS Cue Card Kit	
Panel R14 – OV105 Only Cue Card	1	CARRY-ON		
PAYLOAD OPS	2	MF43E		
PAYLOAD SYS	2	MF43E		
PCMCIA Hard Disk – Late Updates	2	MF57E	Disk Sleeve Unit	
PDRS OPS C/L	1	MF43E		
PDRS OPS C/L	2	MF43E	FD Stowage Bag 2	Pocket B

10/22/08

FS 3-11

REF/126/FIN

LAUNCH CONFIG – ALPHABETICAL (Cont)

ITEM NAME	QTY	STOWAGE LOCATION		
PDRS Target Overlay for CTVM Cue Card	2	MF43E	PDRS Cue Card Kit	PDRS Overlay Kit
Phantom Emergency Deploy/Go/No-Go Criteria Cue Card	2	MF43E	PL OPS CUE CARD KIT	
Photo Grid Overlay Cue Card	1	MF43E	Overlay Kit	
PHOTO/TV C/L	1	MF43E	FD Stowage Bag 1	Pocket B
PHOTO/TV C/L	1	MF43E		
PLBD VTR Recording Cue Card	1	CARRY-ON		
PLT Overhead Flip Book	1	CARRY-ON		
PLT Window Flip Book	1	CARRY-ON		
POST INSERTION	1	C4F		
POST INSERTION	1	R3F		
POST INSERTION	2	CARRY-ON		
Post-It Notes (1.5 x 2)	1	MF57E	FDF Accessory Kit 2	
Post-It Notes (3 x 3)	1	MF57E	FDF Accessory Kit 2	
Post-It Notes (3 x 5)	1	MF57E	FDF Accessory Kit 2	
Post-It Tape Tabs	6	MF57E	FDF Accessory Kit 2	
Power Cue Card	1	CARRY-ON		
RCS Burn (+X, -X, Multi-axis) Rendezvous Prplt Pad Cue Card	2	R3A	Data Card Kit	Orbit Data Cards
RCS Failure Response During Prox Ops RCS/DPS/EPS Failure Impacts Cue Card	1	MF43E	RNDZ Cue Card Kit	

10/22/08

FS 3-12

REF/126/FIN

LAUNCH CONFIG – ALPHABETICAL (Cont)

ITEM NAME	QTY	STOWAGE LOCATION		
Recumbent Seat Kit (RSK) Installation Cue Card	1	MF43E	Middeck Cue Card Kit	
REF	1	MF43E	FD Stowage Bag 1	Pocket A
Resuscitator Cue Card	1	MED SOMS Kit		
RNDZ	2	MF43E	FD Stowage Bag 2	Pocket C
RNDZ	1	MF43E		
RNDZ	1	MF43E		
Rubber Band Kit	1	C4A	FDF Accessory Kit 1	
SAFER Checkout Results SAFER Status Troubleshooting Cue Card	1	SAFER		
Sharpie, Fine Point, Black	1	C4A	FDF Accessory Kit 1	
Sharpie, Fine Point, Black	1	MF57E	FDF Accessory Kit 2	
Sharpie, Fine Point, Blue	1	MF57E	FDF Accessory Kit 2	
Sharpie, Fine Point, Red	1	MF57E	FDF Accessory Kit 2	
Speed Brake Command Cue Card	2	CARRY-ON		
Star Chart	1	C4A		
Stopwatch RDOT Conversion Cue Card	1	MF43E	RNDZ Cue Card Kit	
STS-126 Consumables Cue Card	1	MF43E	Middeck Cue Card Kit	
STS-126 DAP Configuration Cue Card	1	R3A	Data Card Kit	Orbit Data Cards
Switch Caps	10	C4A	FDF Accessory Kit 1	
Switch Caps	10	MF57E	FDF Accessory Kit 2	

10/22/08

FS 3-13

REF/126/FIN

LAUNCH CONFIG – ALPHABETICAL (Cont)

ITEM NAME	QTY	STOWAGE LOCATION		
SYS AOA	1	C4F		
SYS AOA	1	CARRY-ON		
SYS AOA	1	R3F		
Tape Dispenser w/Tape	1	MF57E	FDF Accessory Kit 2	
Tether-Short (12)"	16	MF57E	FDF Accessory Kit 2	
Thumbdrive	7	MF57E	Disk Sleeve Unit	
Transparent Tape	1	MF57E	FDF Accessory Kit 2	
TV Cue Card	1	CARRY-ON		
Ultrabay Adapter	1	MF57E		
Unbal Prop D/O Burn Unbal Prop D/O Burn (Mxd Xfd) Cue Card	2	R3A	Data Card Kit	
Urine Collection (w/o UMS) Cont Waste Collection – UCD/Apollo Bag Cue Card	1	CARRY-ON		
Urine Pretreat Changeout Urine Pretreat Setup Cue Card	1	CARRY-ON		
V10 Monitor Corridor Cue Card	2	MF43E	RNDZ Cue Card Kit	RNDZ Overlay Kit
Velcro, Hook (Yellow 2 x 2)	5	C4A	FDF Accessory Kit 1	
Velcro, Hook (Yellow 2 x 2)	15	MF57E	FDF Accessory Kit 2	
Velcro, Pile (Yellow 2 x 2)	5	C4A	FDF Accessory Kit 1	
Velcro, Pile (Yellow 2 x 2)	15	MF57E	FDF Accessory Kit 2	

10/22/08

FS 3-14

REF/126/FIN

LAUNCH CONFIG – ALPHABETICAL (Cont)

ITEM NAME	QTY	STOWAGE LOCATION		
Video Setup Cue Card	1	MF43E	Photo TV Cue Card Kit	
Wedge	2	CARRY-ON		
WLES Config After PGSC Reboot Cue Card	2	MIDDECK		
WVS Cue Card	1	MF43E	Photo TV Cue Card Kit	
Yellow Dots	1	C4A	FDF Accessory Kit 1	
Yellow Dots	1	MF57E	FDF Accessory Kit 2	
Yellow Tape	1	MF57E	FDF Accessory Kit 2	
ZZA TAL Redesignation ECAL-ZZA or MRN or FMI Prime TAL Cue Card	2	CARRY-ON		

10/22/08

FS 3-15

REF/126/FIN

┌

—

┐

—

This Page Intentionally Blank

10/22/08

FS 3-16

REF/126/FIN

—

└

—

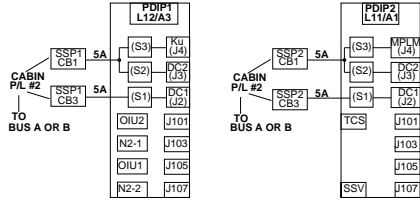
└

UTILITY OUTLET PLUG-IN PLAN

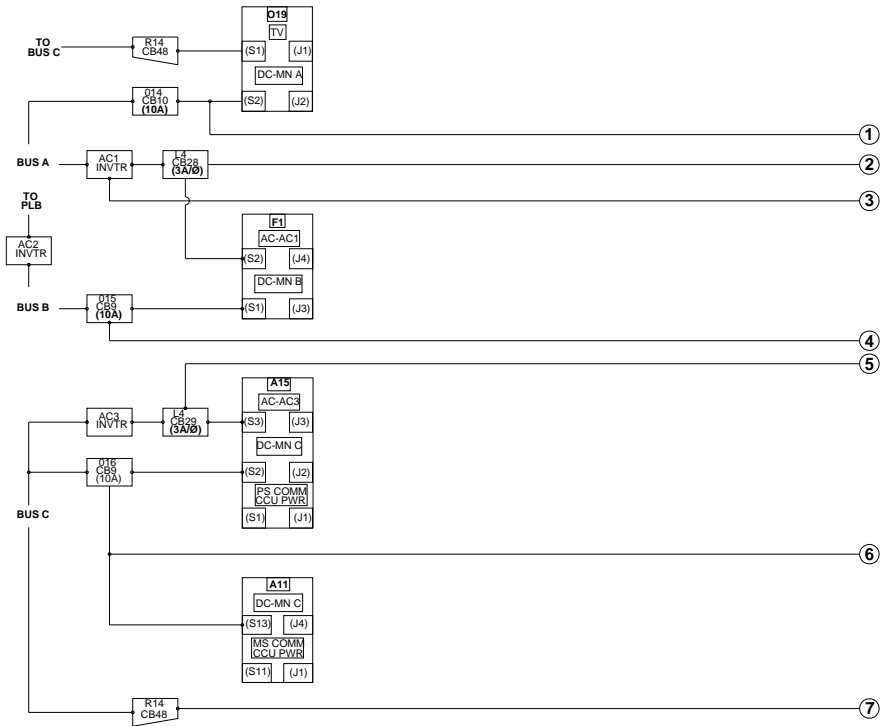
PWR: PANEL REFERENCE	
FLT DECK.....	FS 4-2
MIDDECK.....	FS 4-3
PWR/DATA/VIDEO: PRE-ROUTED CONFIG	
FLT DECK.....	FS 4-4
MIDDECK.....	FS 4-5
PWR/DATA/VIDEO: ASCENT CONFIG	
FLT DECK.....	FS 4-6
MIDDECK.....	FS 4-7
PWR/DATA/VIDEO: ENTRY CONFIG	
FLT DECK.....	FS 4-8
MIDDECK.....	FS 4-9
PWR: ON-ORBIT CONFIG	
FLT DECK.....	FS 4-10
MIDDECK.....	FS 4-11
PWR: CREW RESCUE COOLING CONFIG	
FLT DECK.....	FS 4-12
MIDDECK.....	FS 4-13

UTIL
PWR

PWR: PANEL REFERENCE – FLT DECK

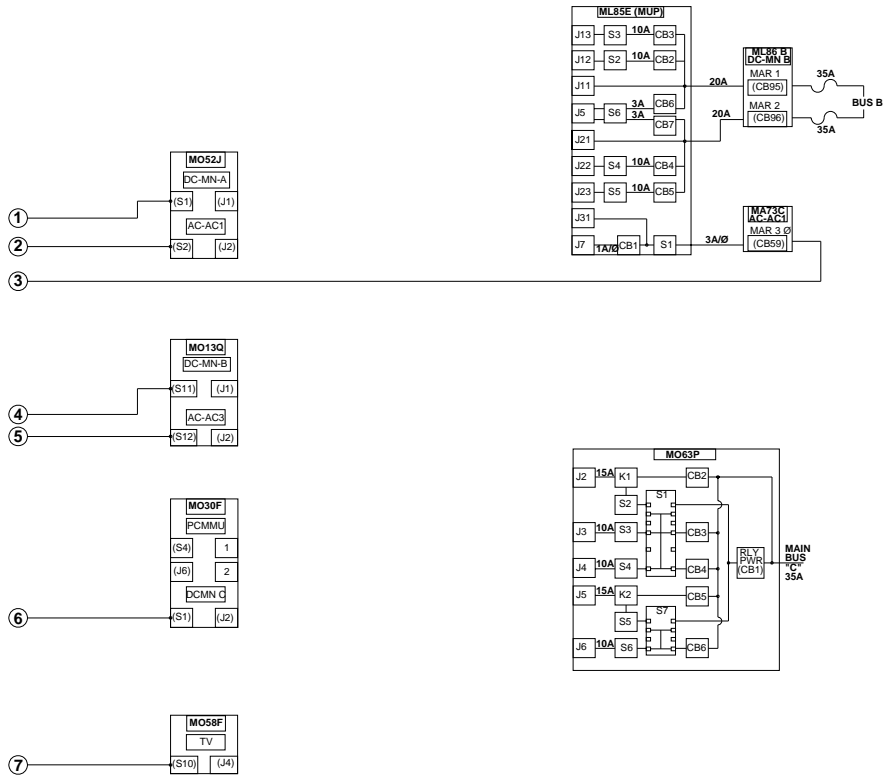


UTIL
PWR

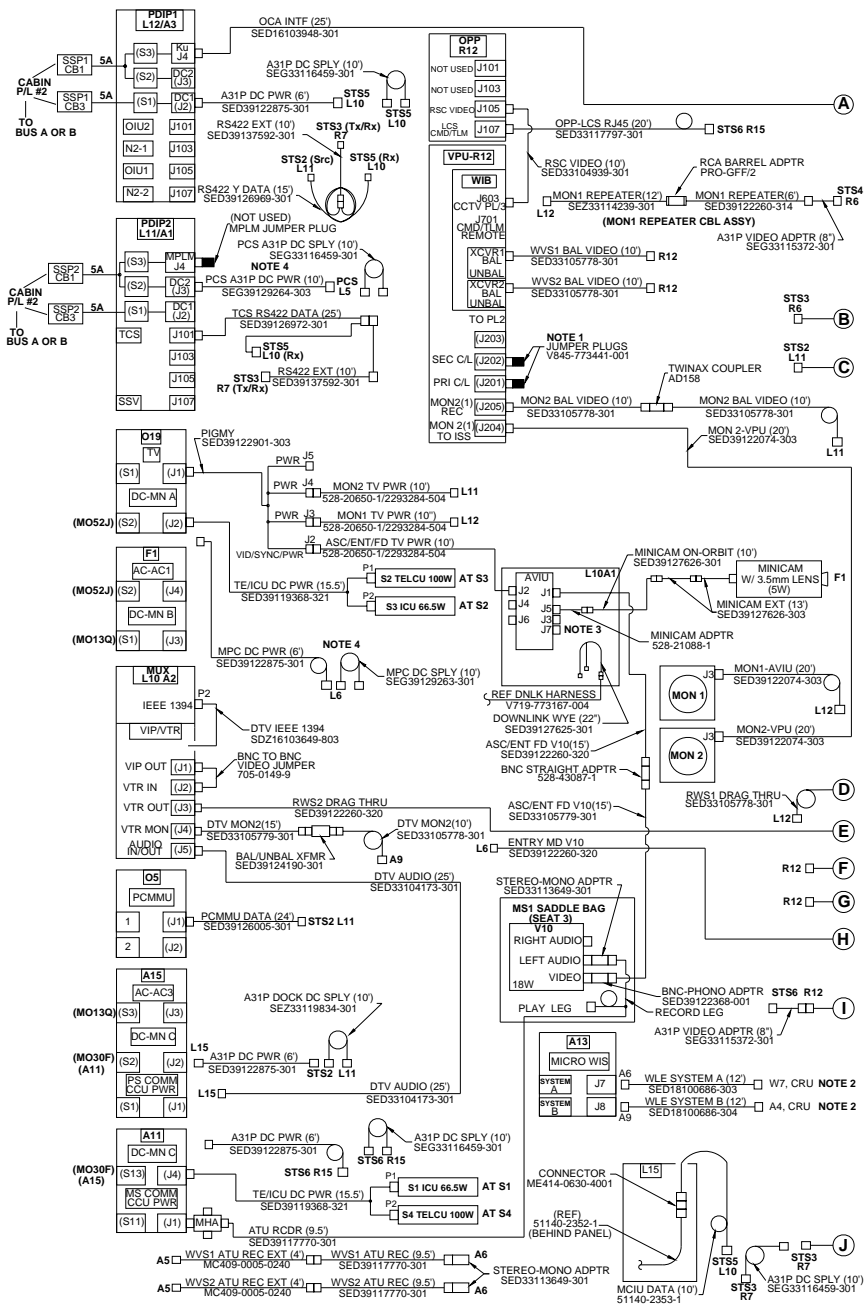


PWR: PANEL REFERENCE – MIDDECK

REV A
08/25/08

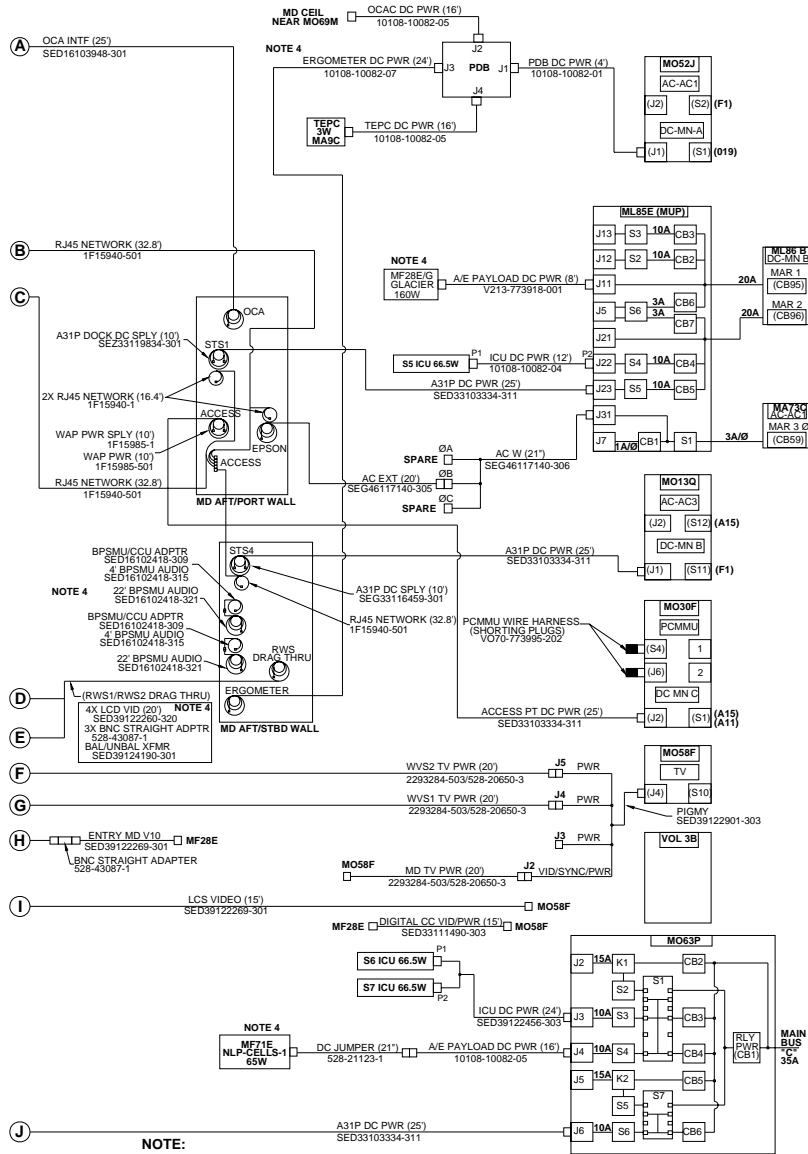


PWR/DATA/VIDEO: PRE-ROUTED CONFIG – FLT DECK



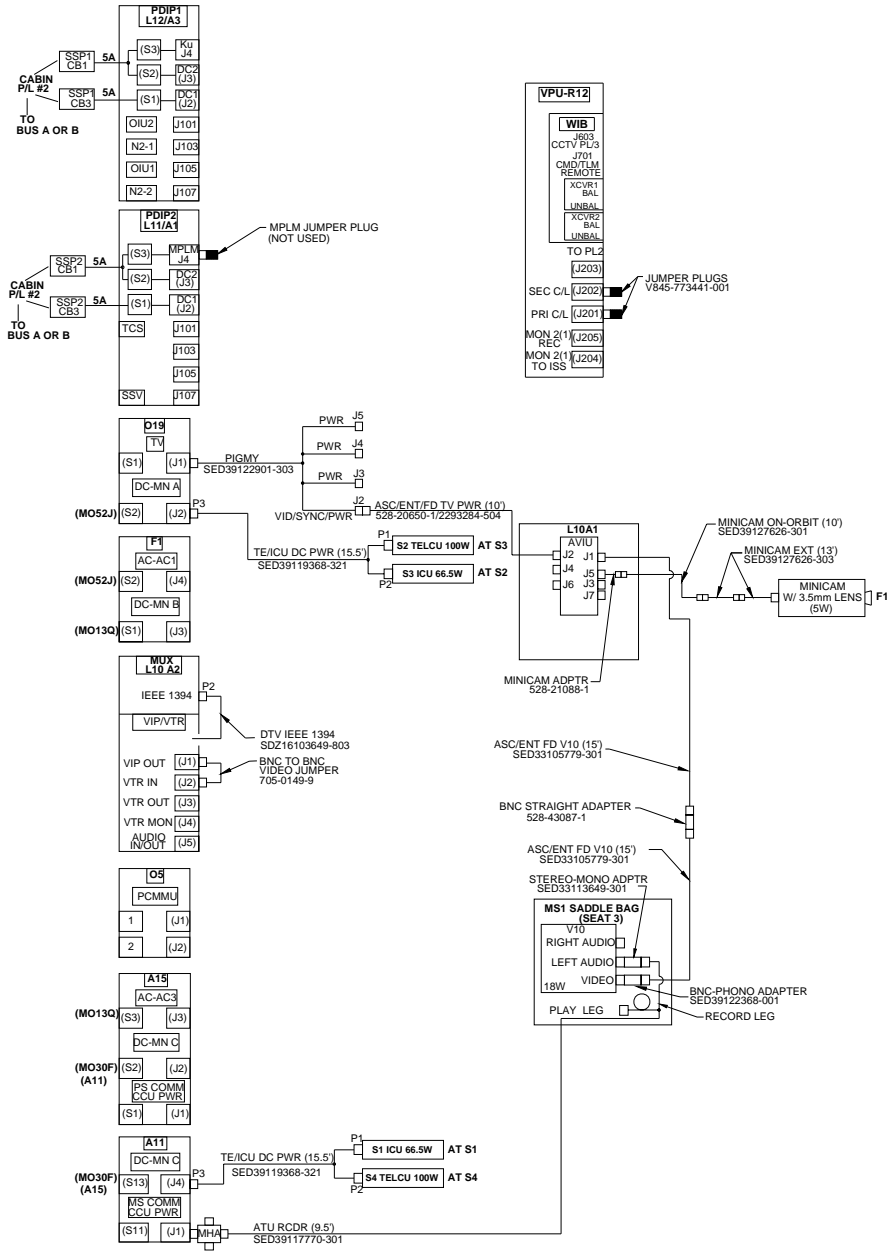
PWR/DATA/VIDEO: PRE-ROUTED CONFIG – MIDDECK

REV A
08/25/08



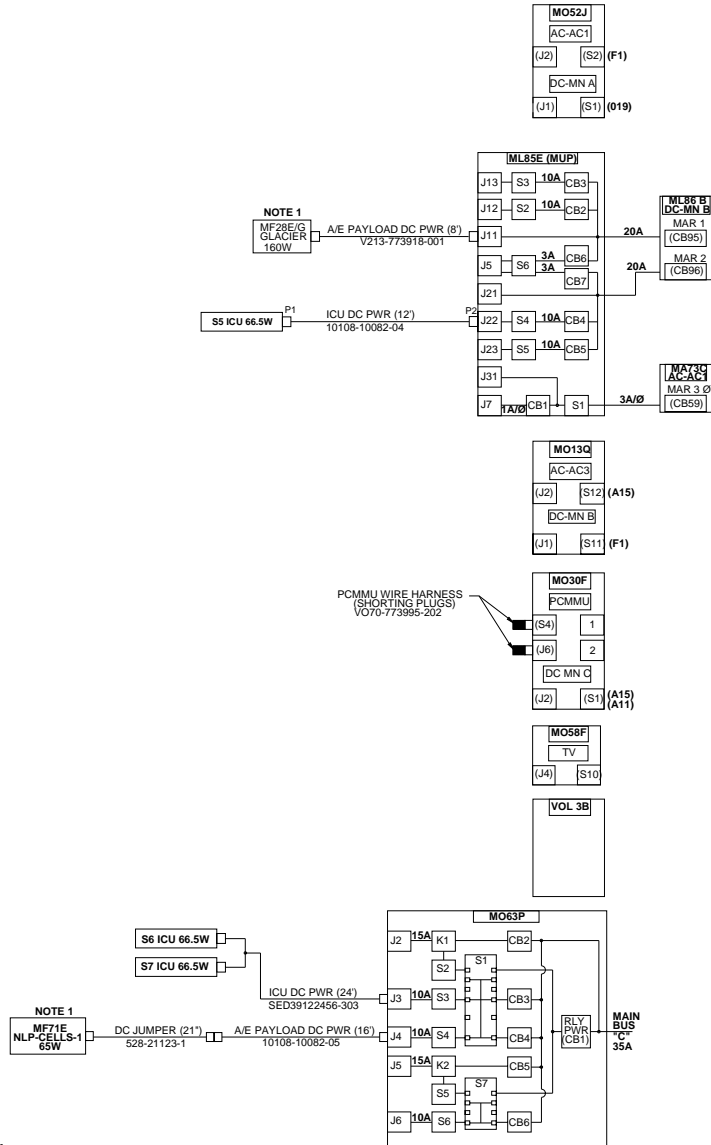
- NOTE:**
1. GREEN JUMPER INSERTED AT VPU LDR/ITVC CONNECTOR
 2. NO PHYSICAL CONNECTION BETWEEN WLES CABLES AND CABIN RELAY UNIT (CRU)
 3. A DIGITAL CC VID CABLE WILL BE CONNECTED TO J3 OF THE AVIU AND STOWED IN L10A1
 4. POWERED PAYLOADS, BPSMU, PCS, MPC, DRAG THRU CABLES AND ERGOMETER WILL NOT BE FLOWN ON STS-400. ALL ASSOCIATED CABLES WILL BE REMOVED FROM THE FLIGHT.

PWR/DATA/VIDEO: ASCENT CONFIG – FLT DECK



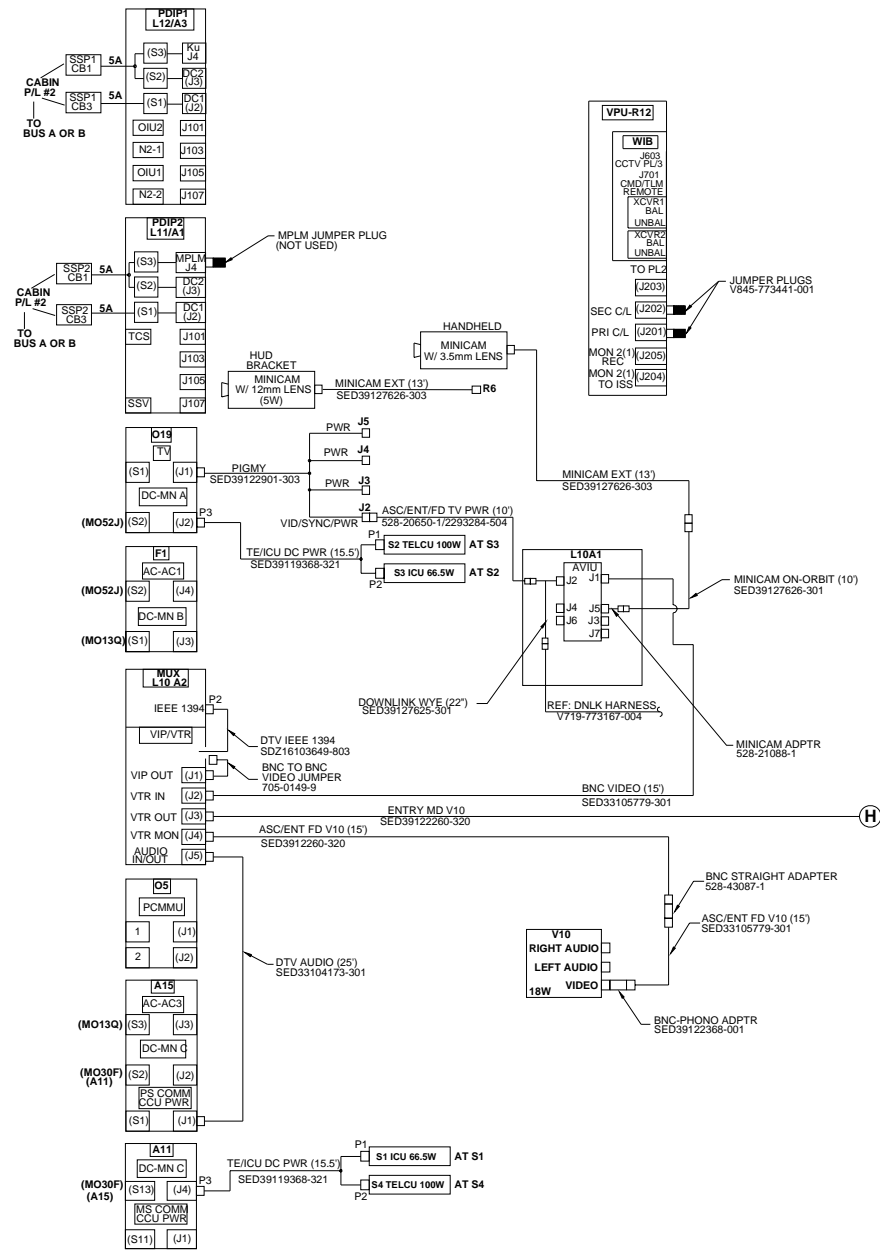
PWR/DATA/VIDEO: ASCENT CONFIG – MIDDECK

REV A
08/25/08



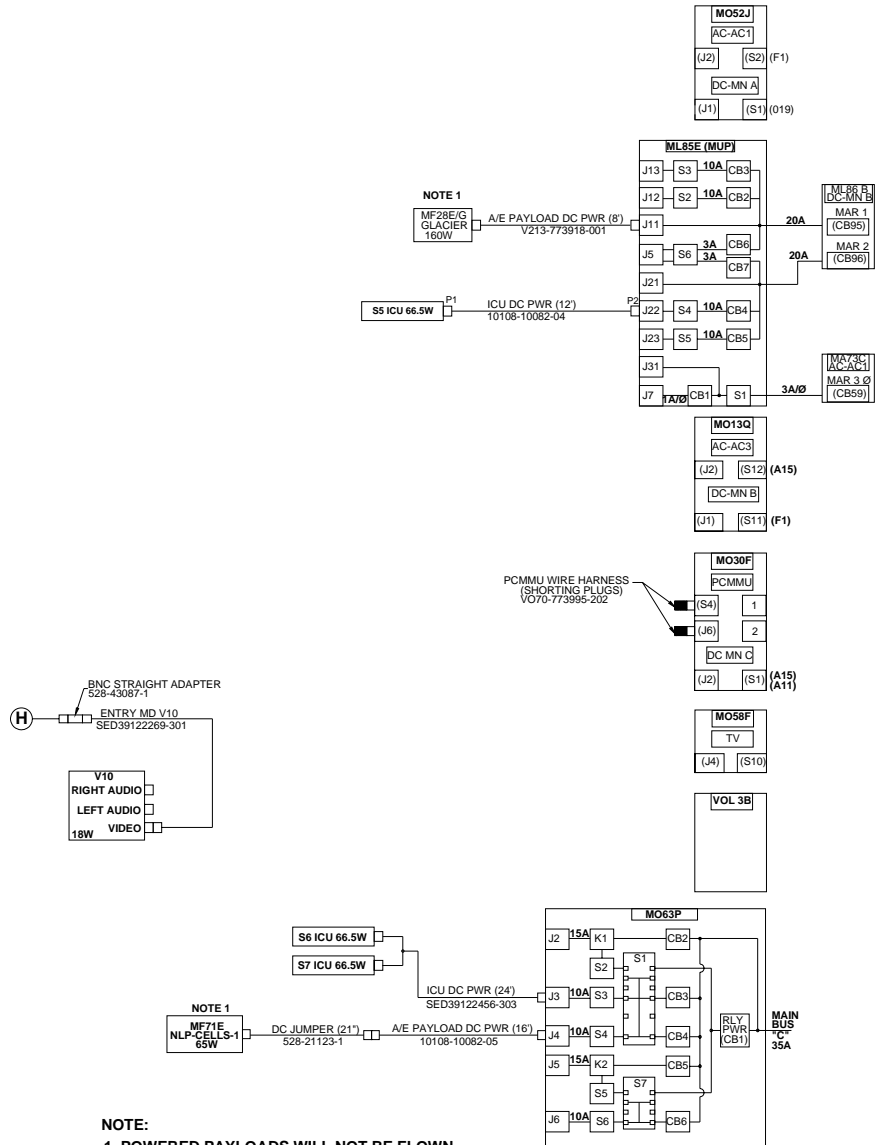
NOTE:
1. POWERED PAYLOADS WILL NOT BE FLOWN ON STS-400. ALL ASSOCIATED CABLES WILL BE REMOVED FROM THE FLIGHT.

PWR/DATA/VIDEO: ENTRY CONFIG – FLT DECK



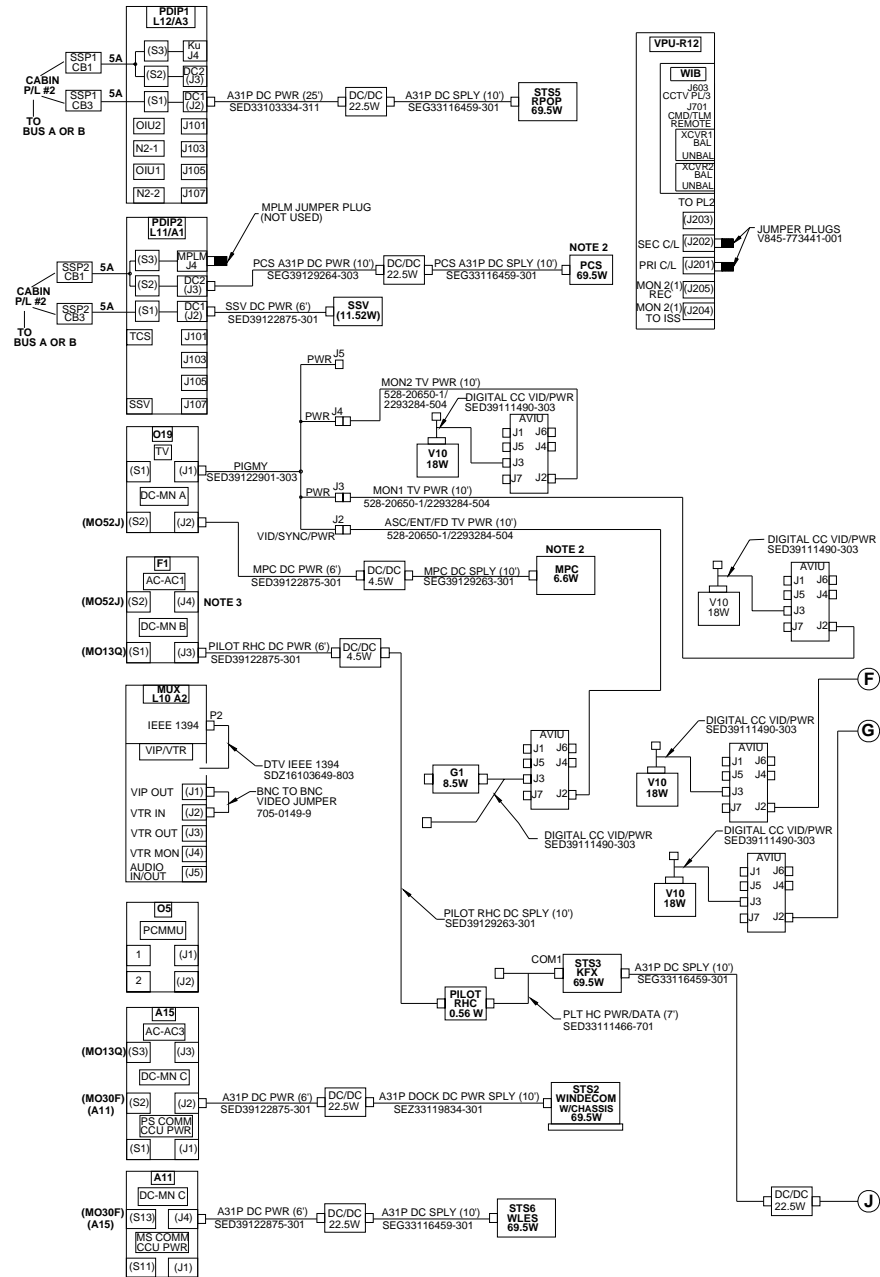
PWR/DATA/VIDEO: ENTRY CONFIG – MIDDECK

REV A
08/25/08



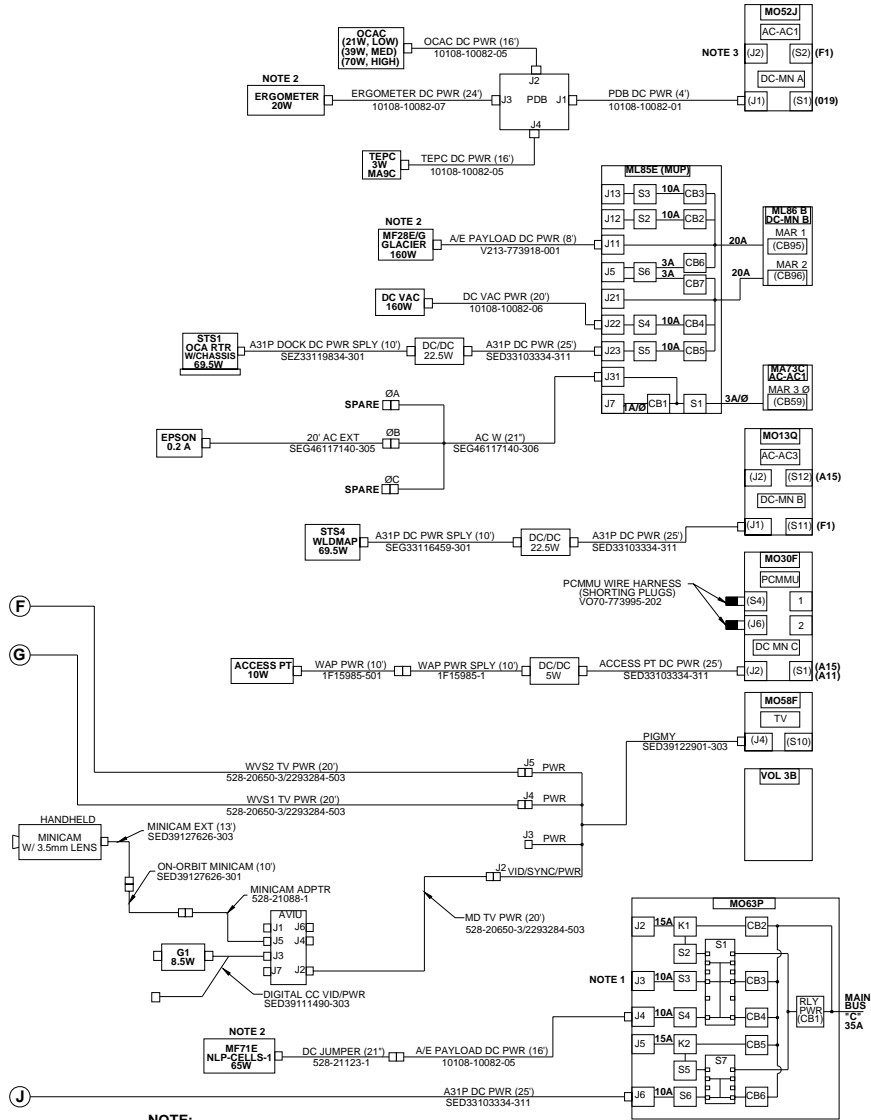
NOTE:
1. POWERED PAYLOADS WILL NOT BE FLOWN ON STS-400. ALL ASSOCIATED CABLES WILL BE REMOVED FROM THE FLIGHT

PWR: ON-ORBIT CONFIG – FLT DECK



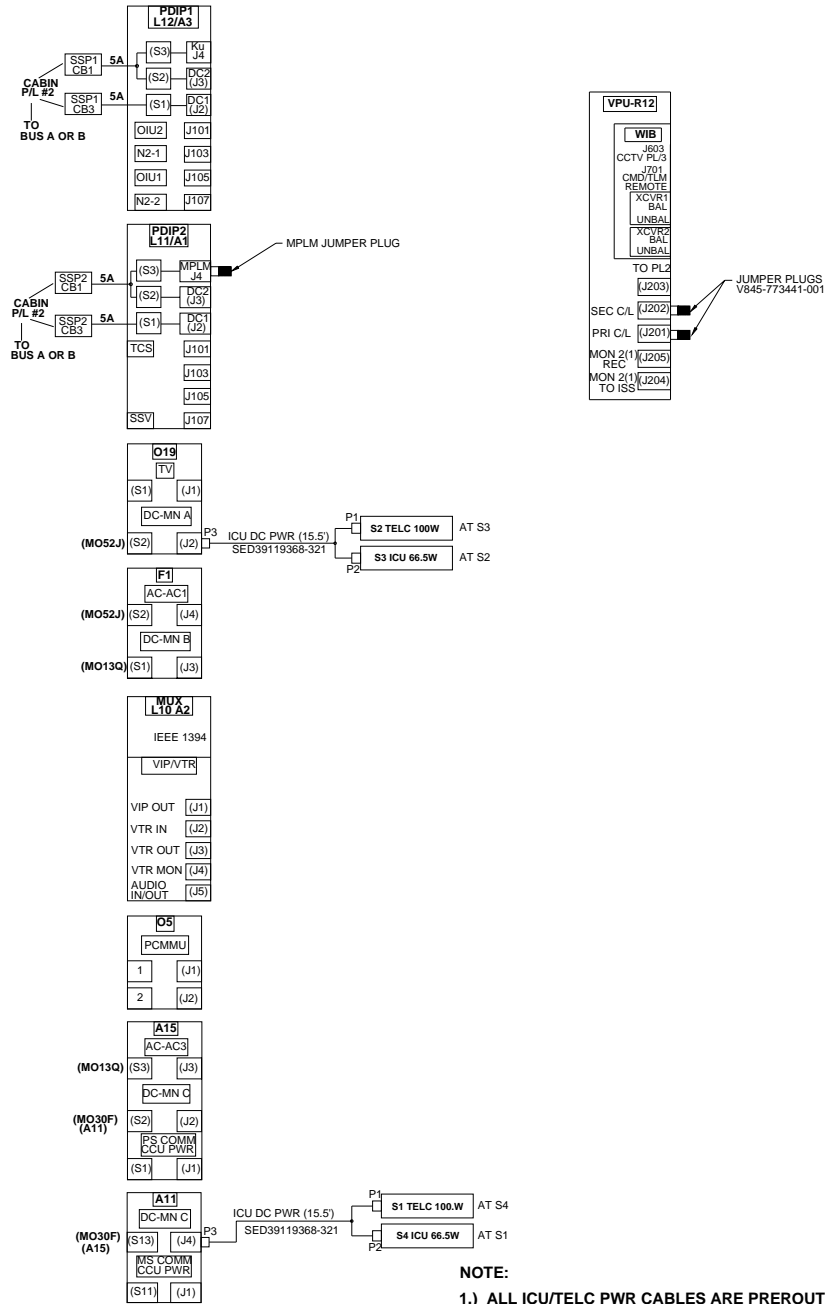
PWR: ON-ORBIT CONFIG – MIDDECK

REV A
08/25/08



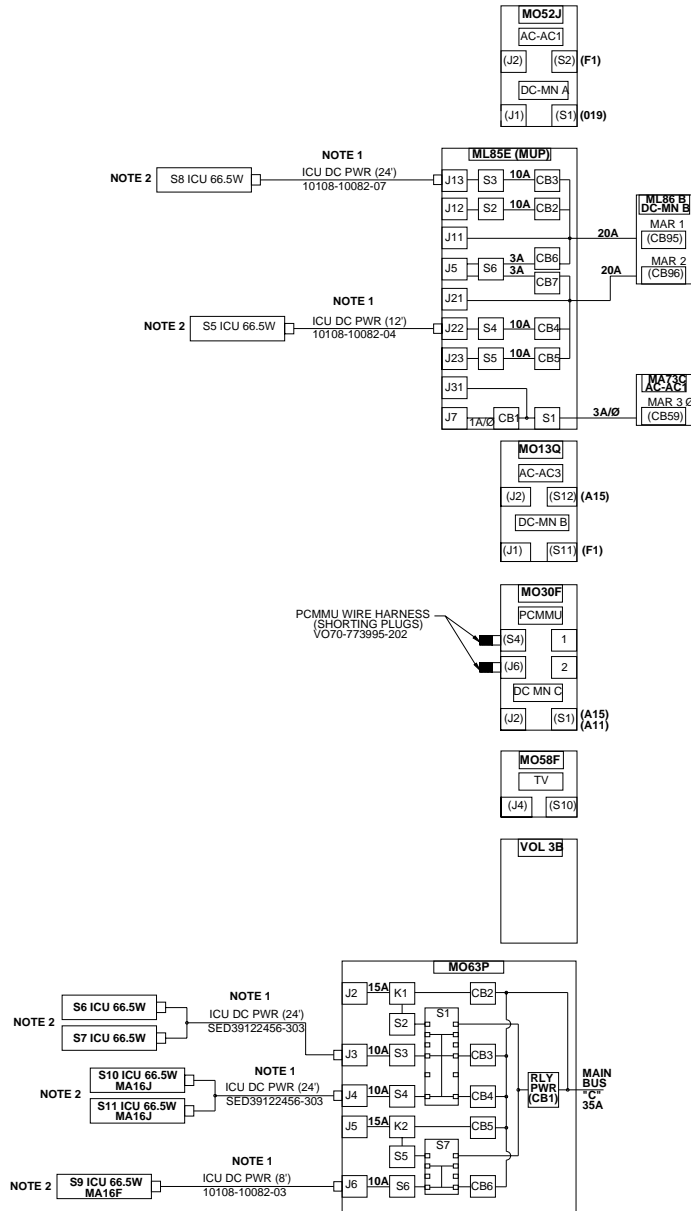
- NOTE:**
1. S6 AND S7 COOLING UNITS REMAIN CONNECTED ON-ORBIT AT MO63P DC (J3)
 2. POWERED PAYLOADS, MPC, ERGOMETER AND PCS WILL NOT BE FLOWN ON STS-400. ALL ASSOCIATED CABLES WILL BE REMOVED FROM THE FLIGHT.
 3. IF PHOTOFLOOD (0.7 A) IS MANIFESTED USE MOS2J AC (J2) OR F1 AC (J4)

PWR: CREW RESCUE COOLING CONFIG – FLT DECK



PWR: CREW RESCUE COOLING CONFIG – MIDDECK

REV A
08/25/08





This Page Intentionally Blank



PLB FLOODLIGHT CONSTRAINTS

PAYLOAD BAY FLOODLIGHT CONSTRAINTS FS 5-2

PLB
FLOODLT

FS 5-1

REF/126/FIN

**PLB
FLOODLT**

PAYLOAD BAY FLOODLIGHT CONSTRAINTS

GENERIC	STS-126
<ul style="list-style-type: none"> • Minimum operating time for PLB Floodlights is 10 min • Lights must be OFF for a minimum of 10 min UNBLOCKED, 16 min BLOCKED prior to reuse • ~3 min to full bright <p>Record MET: ____ / ____ : ____ : ____</p> <p>* If PLB Floodlight not ON to full * * bright within 5 min: * * (Aff) PL BAY FLOOD – OFF *</p>	<p>MPLM IN PLB</p> <p>FWD PORT AND STBD LIGHTS</p> <ul style="list-style-type: none"> • Generic constraints apply <p>MID PORT AND STBD LIGHTS</p> <ul style="list-style-type: none"> • When Orbiter not in Bay-to-Sun inertial type attitude, generic constraints apply • When Orbiter in Bay-to-Sun inertial type attitude, max 20 min ON, 30 min OFF <p>AFT PORT AND STBD LIGHTS</p> <ul style="list-style-type: none"> • OFF at all times <p>MPLM NOT IN PLB</p> <ul style="list-style-type: none"> • Generic constraints apply to all floodlights

ENTRY STOWAGE

FLIGHTS WITH RETENTION NET..... FS 6-2

**ENTRY
STOW**

FS 6-1

REF/126/FIN

FLIGHTS WITH RETENTION NET

AIRLOCK CONFIGURATION

1. Stow clothing and soft goods in airlock in mesh bag or jettison stowage bag
2. Tie bags to standoffs on handrails or EVA attachment point
3. Avoid using standoffs on handrail just inside inner hatch (bags may snag on opening mechanism during ground retrieval)
4. Attempt to tape bags to floor or wall to prevent settling on EMUs or hatches

RETENTION NET CONFIGURATION

1. Configure sleeping bags in two flat stacks (4 top, 3 bottom)
2. Verify retention net in forward position
3. Return to Houston bag(s) behind retention net should contain only:
 - Ascent FDF
 - Digital Video Tapes
 - Crew Shirts
4. Restrain RTH Bag(s) to floor using seat restraint and Gray Tape as necessary

ITEMS/NOTES

1. Stow the following items:
 - Water Samples and ACTEX Purge Bags in Fresh Food Locker (MF14E)
2. Stow used disposable batteries in double-wrap Ziplock Bags away from heat source. Recommend Fresh Food Locker (MF14E)

**ENTRY
STOW**

MISSION SPECIFIC ITEMS/NOTES

1. Laundry not stowed in Volume B should be divided into two stowage locations – half in Airlock and half behind Retention Net

PCS ORBIT

PRESSURE CONTROL SYSTEM – ORBIT FS 7-2

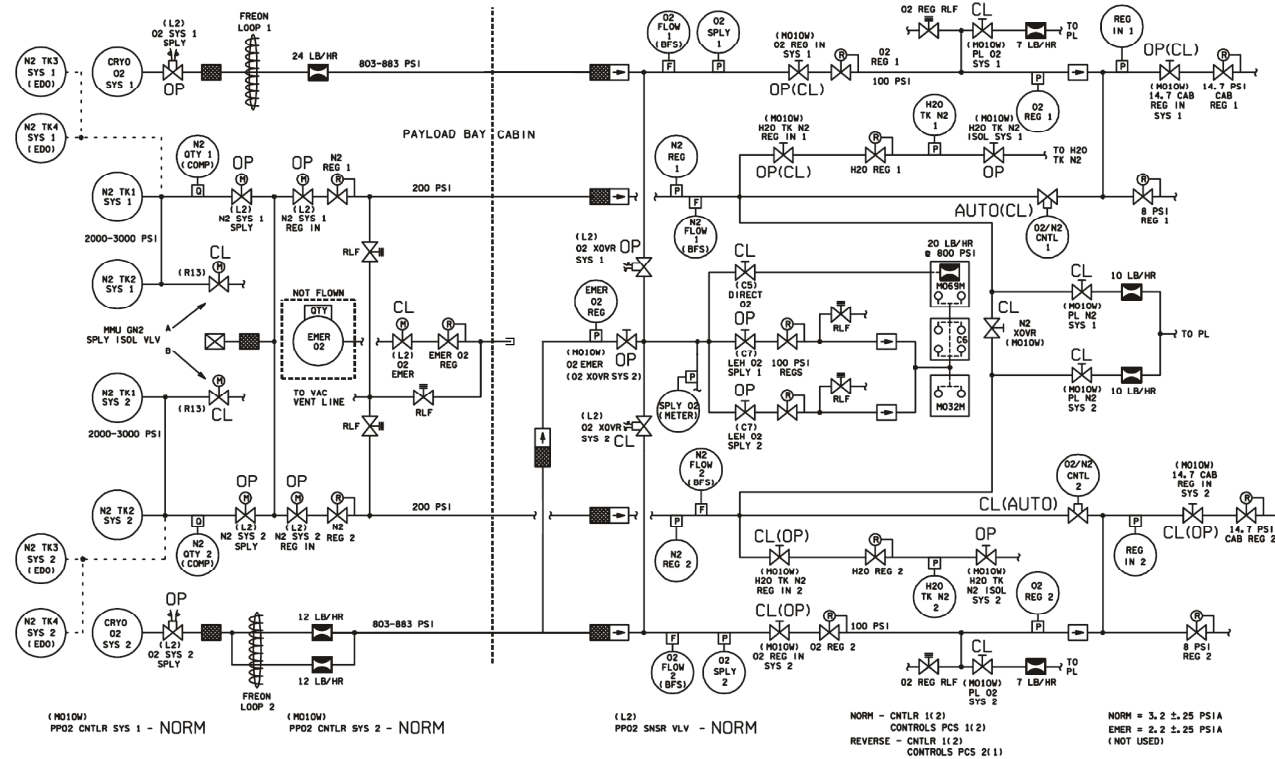
**PCS
ORBIT**

FS 7-1

REF/126/FIN

PCS ORBIT

PRESSURE CONTROL SYSTEM ORBIT



DATE 08/28/08

VALID FOR OV-105, STS-126 ONLY

FS 7-2

REF/126/FIN

CUE
CARDS

CUE CARD CONFIGURATION

FAB USE ONLY

FS 8-1

REF/126/FIN

CUE CARDS

TOP

REF-1a/126/O/A

STS-126 CONSUMABLES

DISINFECTANT WIPES (20/pkg) (2/cm/day)	WMC (pkg) 3 2 1	VOL B (pkg) 7 6 5 4 3 2 1
DRY WIPES (24/pkg) (20/cm/day)	WMC (pkg) 24 23 22 21 20 19 18 17 16 15 14 13 12 11 10 9 8 7 6 5 4 3 2 1	VOL B (MA4D) (pkg) 73 72 71 70 69 68 67 66 65 64 63 62 61 60 59 58 57 56 55 54 53 52 51 50 49 48 47 46 45 44 43 42 41 40 39 38 37 36 35 34 33 32 31 30 29 28 27 26 25 24 23 22 21 20 19 18 17 16 15 14 13 12 11 10 9 8 7 6 5 4 3 2 1
ELBOW BAGS	WMC 16 15 14 13 12 11 10 9 8 7 6 5 4 3 2 1	VOL B (MA4D) 18 17 16 15 14 13 12 11 10 9 8 7 6 5 4 3 2 1
EMESIS BAGS	WMC 7 6 5 4 3 2 1	VOL B (MA4D) 13 12 11 10 9 8 7 6 5 4 3 2 1
GLOVES (50/pkg) (2/cm/day)	WMC (pkg) 2 1	VOL B (MA4D) 1 VOL G (MD80R) 1
GLOVES, SHOULDER LENGTH	VOL B (MA4D) (pkg) 1	
PREFILTERS, CONICAL	WMC 20 19 18 17 16 15 14 13 12 11 10 9 8 7 6 5 4 3 2 1	VOL B (MA4D) 20 19 18 17 16 15 14 13 12 11 10 9 8 7 6 5 4 3 2 1
TOWELS (1/2/cm/day)	WMC 36 35 34 33 32 31 30 29 28 27 26 25 24 23 22 21 20 19 18 17 16 15 14 13 12 11 10 9 8 7 6 5 4 3 2 1	
TRASH BAGS (Coffee Can) (10/pkg) (2/cm/day)	WMC (pkg) 10 9 8 7 6 5 4 3 2 1	VOL B (MA4D) (pkg) 16 15 14 13 12 11 10 9 8 7 6 5 4 3 2 1
WASHCLOTHS (1/cm/day)	WMC 32 31 30 29 28 27 26 25 24 23 22 21 20 19 18 17 16 15 14 13 12 11 10 9 8 7 6 5 4 3 2 1	VOL B (MA4D) 54 53 52 51 50 49 48 47 46 45 44 43 42 41 40 39 38 37 36 35 34 33 32 31 30 29 28 27 26 25 24 23 22 21 20 19 18 17 16 15 14 13 12 11 10 9 8 7 6 5 4 3 2 1
WET WASHES (40/pkg) (18/cm/day)	WMC (pkg) 6 5 4 3 2 1	VOL B (MA4D) (pkg) 50 49 48 47 46 45 44 43 42 41 40 39 38 37 36 35 34 33 32 31 30 29 28 27 26 25 24 23 22 21 20 19 18 17 16 15 14 13 12 11 10 9 8 7 6 5 4 3 2 1

(reduced copy)

FAB USE ONLY

FS CC 8-2

REF/126/FIN

TOP
BACK OF 'STS-126 CONSUMABLES'

HOOK
VELCRO

FAB USE ONLY

(reduced copy)
FS CC 8-3

REF/126/FIN

REF-1b/126/O/A



This Page Intentionally Blank



FAB USE ONLY

FS 8-4

REF/126/FIN



Space Shuttle Program
FLIGHT DATA FILE

JSC-48042-126
FINAL



**REFERENCE
DATA**

**STS
126**

Flight Cover (trim bottom to expose tabs)