

# Reference Data

## STS-127 Flight Supplement

---

**Mission Operations Directorate  
Operations Division**

**Final  
June 5, 2009**

National Aeronautics and  
Space Administration

**Lyndon B. Johnson Space Center**  
Houston, Texas



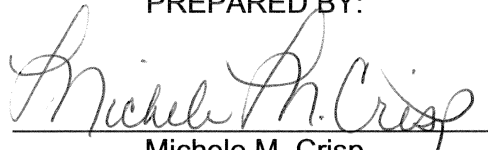


MISSION OPERATIONS DIRECTORATE

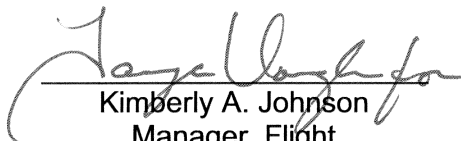
**REFERENCE DATA  
STS-127 FLIGHT SUPPLEMENT**

FINAL  
June 5, 2009

PREPARED BY:

  
Michele M. Crisp  
Publication Manager

APPROVED BY:

  
Kimberly A. Johnson  
Manager, Flight  
Procedures

ACCEPTED BY:

  
Michael T. Hurt  
FDF Manager

This document is under the configuration control of the Crew Procedures Control Board (CPCB). All proposed changes must be submitted via Change Request Workflow (CRW) to DO3/FDF Manager.

Additional distribution of this book, for official use only, may be requested in writing to DO3/PMO Administrator. The request must include justification and requester's name, organization, position, and phone number. Contractor requests are made through the NASA or DOD organization supported. Deletions, reduction in quantity, or change of address may be submitted to DO3/FDF Management Office, 281-244-1184.

Incorporates the following:
482#: REF_FS-00040 REF_FS-00045

AREAS OF TECHNICAL RESPONSIBILITY

Publication Manager	DO35/M. Crisp	281-483-5975
Alternate Publication Manager	DO35/L. Giles	281-244-9068

REFERENCE DATA  
STS-127 FLIGHT SUPPLEMENT

**LIST OF EFFECTIVE PAGES**

FINAL 06/05/09

Sign Off .....	*	127/FIN	FS 2-11 .....	127/FIN
FS ii .....	*	127/FIN	FS 2-12 .....	127/FIN
FS iii .....	*	127/FIN	FS 2-13 .....	127/FIN
FS iv .....	*	127/FIN	FS 2-14 .....	127/FIN
FS v .....	*	127/FIN	FS 2-15 .....	127/FIN
FS vi .....	*	127/FIN	FS 2-16 .....	127/FIN
FS 1-1 .....		127/FIN	FS 2-17 .....	127/FIN
FS 1-2 .....		127/FIN	FS 2-18 .....	127/FIN
FS 1-3 .....		127/FIN	FS 2-19 .....	127/FIN
FS 1-4 .....		127/FIN	FS 2-20 .....	127/FIN
FS 1-5 .....		127/FIN	FS 2-21 .....	127/FIN
FS 1-6 .....		127/FIN	FS 2-22 .....	127/FIN
FS 1-7 .....		127/FIN	FS 2-23 .....	127/FIN
FS 1-8 .....		127/FIN	FS 2-24 .....	127/FIN
FS 1-9 .....		127/FIN	FS 3-1 .....	127/FIN
FS 1-10 .....		127/FIN	FS 3-2 .....	127/FIN
FS 1-11 .....		127/FIN	FS 3-3 .....	127/FIN
FS 1-12 .....		127/FIN	FS 3-4 .....	127/FIN
FS 1-13 .....		127/FIN	FS 3-5 .....	127/FIN
FS 1-14 .....		127/FIN	FS 3-6 .....	127/FIN
FS 1-15 .....		127/FIN	FS 3-7 .....	127/FIN
FS 1-16 .....		127/FIN	FS 3-8 .....	127/FIN
FS 2-1 .....		127/FIN	FS 3-9 .....	127/FIN
FS 2-2 .....		127/FIN	FS 3-10 .....	127/FIN
FS 2-3 .....		127/FIN	FS 3-11 .....	127/FIN
FS 2-4 .....		127/FIN	FS 3-12 .....	127/FIN
FS 2-5 .....		127/FIN	FS 3-13 .....	127/FIN
FS 2-6 .....		127/FIN	FS 3-14 .....	127/FIN
FS 2-7 .....		127/FIN	FS 3-15 .....	127/FIN
FS 2-8 .....		127/FIN	FS 3-16 .....	127/FIN
FS 2-9 .....		127/FIN		
FS 2-10 .....		127/FIN		

\* – Omit from flight book

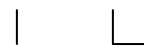
FS 3-17 .....	127/FIN	FS 4-11 .....	127/FIN
FS 3-18 .....	127/FIN	FS 4-12 .....	127/FIN
FS 3-19 .....	127/FIN	FS 4-13 .....	127/FIN
FS 3-20 .....	127/FIN	FS 4-14 .....	127/FIN
FS 4-1 .....	127/FIN	FS 5-1 .....	127/FIN
FS 4-2 .....	127/FIN	FS 5-2 .....	127/FIN
FS 4-3 .....	127/FIN	FS 6-1 .....	127/FIN
FS 4-4 .....	127/FIN	FS 6-2 .....	127/FIN
FS 4-5 .....	127/FIN	FS 7-1 .....	* 127/FIN
FS 4-6 .....	127/FIN	FS CC 7-2 .....	* 127/FIN
FS 4-7 .....	127/FIN	FS CC 7-3 .....	* 127/FIN
FS 4-8 .....	127/FIN	FS 7-4 .....	* 127/FIN
FS 4-9 .....	127/FIN		
FS 4-10 .....	127/FIN		

#### REF DATA CUE CARDS

<u>Title</u>	<u>Ref. Page</u>	<u>Card No.</u>
STS-127 CONSUMABLES		
(Front).....	FS CC 7-2	REF-1a/127/O/A
(Back).....	FS CC 7-3	REF-1b/127/O/A

\* – Omit from flight book

<u>CONTENTS</u>	<u>PAGE</u>
<u>LOCKER STOWAGE</u> .....	FS 1-1
STS-127 FLT DECK STOWAGE .....	FS 1-2
MIDDECK STOWAGE .....	FS 1-4
LIGHTWEIGHT MAR .....	FS 1-14
CONSUMABLES.....	FS 1-15
 <u>ALPHABETICAL STOWAGE</u> .....	 FS 2-1
 <u>FDf DOCUMENTATION STOWAGE</u> .....	 FS 3-1
LAUNCH CONFIG – LOCKER.....	FS 3-2
– ALPHABETICAL.....	FS 3-3
 <u>UTILITY OUTLET PLUG-IN PLAN</u> .....	 FS 4-1
PWR: PANEL REFERENCE	
FLT DECK .....	FS 4-2
MIDDECK.....	FS 4-3
PWR/DATA/VIDEO: PRE-ROUTED CONFIG	
FLT DECK .....	FS 4-4
MIDDECK.....	FS 4-5
PWR/DATA/VIDEO: ASCENT CONFIG	
FLT DECK .....	FS 4-6
MIDDECK.....	FS 4-7
PWR/DATA/VIDEO: ENTRY CONFIG	
FLT DECK .....	FS 4-8
MIDDECK.....	FS 4-9
PWR: ON-ORBIT CONFIG	
FLT DECK .....	FS 4-10
MIDDECK.....	FS 4-11
PWR: CREW RESCUE COOLING CONFIG	
FLT DECK .....	FS 4-12
MIDDECK.....	FS 4-13
 <u>PLB FLOODLIGHT CONSTRAINTS</u> .....	 FS 5-1
PAYLOAD BAY FLOODLIGHT CONSTRAINTS .....	FS 5-2
 <u>ENTRY STOWAGE</u> .....	 FS 6-1
FLIGHTS WITH RETENTION NET .....	FS 6-2
 <u>CUE CARD CONFIGURATION</u> .....	 FS 7-1



This Page Intentionally Blank





LOCKER STOWAGE

STS-127 FLT DECK STOWAGE .....	FS 1-2
MIDDECK STOWAGE .....	FS 1-4
LIGHTWEIGHT MAR .....	FS 1-14
CONSUMABLES .....	FS 1-15

**LOCKER**

**LOCKER**

**STS-127 FLT DECK STOWAGE**

**C4A**

FDF

**C4F**

FDF

**R3A**

FDF

**R3F**

FDF

**L10 UPPER**

AVIU

Cables

- Digital CC Vid/Pwr, 15 ft
- DTV IEEE 4-Pin to Female
- DTV IEEE 4-Pin to Male
- MPC to DTV Mux, 3 ft
- MPC to DTV Mux, 9 ft
- PPOV Teac Wye

MPC

Pwr Supply, MPC

Remote, PD100

Tapes

Digital Video (171)

Sony Video (14)

VPU Plug, Green

06/03/09

**L10 LOWER**

Cables

- 12VDC Circular to XLR
- Balanced Orbiter
- BNC to BNC (4)
- BNC to RCA (3)
- Digital CC
- DTV IEEE 1394 4-Pin to Male
- VIP ATU I/F
- VIP Pwr

DTV MUX

VTR (w/tape installed)

VIP

**L11**

OIU

PDIP 2

**L12**

PDIP 1

SSP-1/SSP-2

**R12**

SPAS/OPP/OBSS

VPU

**A16**

Bag, Camera

Adapter, Flash Card (4)

Batt Door (Spare)

Cable, Shutter Release w/Extension

Card, DCS 760 (7)

Cleaning Solution

Dry Wipe (2)

Flash

Lens

10.5mm

17-35mm

28-70mm

28mm

35mm w/filter

80-200mm

Thermal Blanket, EVA

Bracket, Multiuse (3)

Cable, PGSC DC Pwr, 10 ft

Cable, PGSC DC Pwr, 6 ft

Computer Desk, Inflight (3)

Leg Bar, FRED

PILOT Hand Controller

Bungee (2)

Cable, PILOT RS-232 Pwr/Data Y

Tie Wrap (10)

Pwr Supply, DC

FS 1-2

REF/127/FIN

**STS-127 FLT DECK STOWAGE (Cont)**

A17

Bag, DTV Camcorder  
BAL/UNBAL Transformer  
Binoculars (2)  
Cables  
  AVIU CC  
  AVIU Video  
  Balanced Video  
  BNC Video  
  BPSMU A/V Patch  
  IEEE 1394 4-Pin Firewire  
  IEEE 1394, 15 ft  
  IEEE 1394, Crew Cable  
  Monitor to VIU/CM, 20 ft  
  PCMCIA to WIB-Remote  
  PD100 A/V Adapter  
  RCA-RCA  
  S-Video A31p  
  VPU Patch (2)  
Camera, Mini-Cam (HUD Entry)  
  Bracket, HUD  
  Lens, 12mm  
  Tie Wrap, 14 in  
Converter, IVA 1394  
Kit, DTV MUX Fuse  
Ziplock, 10x10 (16)

A17

(Cont)  
Bag, Core Camcorder  
Adapters  
  BNC-RCA (2)  
  BNC-T (2)  
  RCA-BNC (2)  
Batt Charger, Li-ION  
Batts  
  Li-ION (6)  
  Silver Oxide, 1.5V (2)  
Bracket, Multiuse  
Camcorder, Canon HG1 w/Tape  
Coupler, TWINAX (2)  
Headphones  
Lens, Wide Angle  
Microphone  
Remote, PD1  
Tape, Digital Video (34)  
Pry Bar, Window 8  
Quick Don Mask (4)

06/03/09

FS 1-3

REF/127/FIN

**STS-127 MIDDECK STOWAGE**

**FORWARD LOCKERS**

**MF14E**

Food, Fresh  
Food, Fresh

**MF14G**

Food, Fresh  
Food, Menu

**MF14H**

Food, Menu  
Food, Menu

**MF14K**

Food, Menu  
Food, Menu

**MF14M**

Food, Menu  
Food, Menu

**MF14O**

Food, Menu  
Food, Menu

**MF28E**

ISS Food  
ISS Food

**MF28G**

BCAT  
ISS Food  
SODF

**MF28H**

Cable, Biomed (2)  
Container, Sharps  
Kits  
    Dosimeter  
    Electrode  
    Medical Accessory  
    Operational Bioinstrumentation System  
Restraint (4)  
Saline (2)  
Subpacks  
    Airway  
    Drug  
    EENT  
IV Administration  
Saline Supply  
Trauma

**MF28K**

Food, Menu  
Food, Menu

**MF28M**

Food, Menu  
Food, Menu

**MF28O**

Food, Menu  
Food, Menu

**MF43C**

CGSE Vu Blank Sheet  
FDF  
GP Manual Valve Installation  
Kit, Solo Blood Sample  
SODF

**MF43E**

FDF

**MF43G**

IFM Tools

06/03/09

FS 1-4

REF/127/FIN

**STS-127 MIDDECK STOWAGE (Cont)**

**FORWARD LOCKERS (Cont)**

**MF43H**

Clothing, MS1  
Clothing, MS1

**MF43K**

Resuscitator  
ISS Food

**MF43M**

Clothing, MS3  
Clothing, MS3

**MF43O**

ISS Food  
ISS Food

**MF57A (VOL A)**

Pantry Food  
Accessories  
Eating Utensils

**MF57C**

CSA-CP  
Batt Pack, CSA-CP (3)  
Sampling Pump  
Sampling Pump Filter  
Zero Filter  
CWC, Condensate Collection (2)  
Hose, SUPA (16)  
Hose, Y-Y 8 ft Condensate  
Kit, Docking Mechanism Accessory  
APAS Hatch Tool  
Towel

**MF57E**

ISS Food  
Clothing, CDR

**MF57G**

Vacuum Cleaner  
Bags (4)  
Cable, DC Pwr, 20 ft  
Tools  
Cabin Fan Filter  
Crevice  
DDU Filter/Flex Modular  
Flex Hose/Suction Hose  
Hose Adapter

06/03/09

FS 1-5

REF/127/FIN

## STS-127 MIDDECK STOWAGE (Cont)

### FORWARD LOCKERS (Cont)

**MF57H**

Bags  
  Helmet (2)  
  Inflight Stowage Restraint (9)  
  Jettison Stowage (7)  
Bungee, Adjustable (10)  
Canister, WCS (Coffee Can)  
Covers  
  HUD (2)  
  Parachute (7)  
Hoses  
  Personal Hygiene  
  WCS Canister  
Kit, Comm  
  Cable, Comm 4 ft  
  Cable, Comm 14 ft  
  Microphone, Handheld  
  VLHS (2)  
Kit, SEE  
Mirror, Personal Hygiene (2)  
PIP Pin  
  O2 Bleed Orifice  
  PIP Pin (12)  
  PIP Pin, Egress Pole (Spare)  
Switch Guard  
Tape  
  Gray, 1 in  
  Gray, 2 in

**MF57H**

(Cont)  
Wipes, Disinfectant (1 pkg)  
Ziplock Bag, 12x12 (8)  
Ziplock Bag, 8x8 (20)

**MF57K**

Plug Attach Bolt (4)  
Plug Attach Bolt, Bottom Body Halve (4)  
Plug Attach Bolt, Top Body Halve (4)  
Plug Tethers (3)  
RCC Plug Cover Plate (18)  
T Barrel Nuts (4)  
T-Bar (4)  
Universal Repair Plug

**MF57M**

Clothing, MS5 UP  
Clothing, MS5 DN

**MF57O**

ISS Food | ISS Food

**MF71C**

ISS Food | ISS Food

**MF71E**

Clothing, MS2  
Clothing, MS2

**MF71G**

Crew Support

**MF71H**

Clothing, PLT  
Clothing, PLT

**MF71K**

ISS Food | ISS Food

**MF71M**

ISS Food | Clothing, MS4

06/03/09

FS 1-6

REF/127/FIN

**STS-127 MIDDECK STOWAGE (Cont)**

**FORWARD LOCKERS (Cont)**

MF710

Biocide Cartridge (5)  
Detent Release Tool (2)  
Exercise Rope, ARED  
Holter Replenishment Bag  
Kits  
    Blood Collection  
    Microbe-I  
    Mineral Syringe  
    Saliva Collection (2)  
    Sample/Purge  
Saliva Collection Pouch (3)  
Urine Tube Dispenser (2)

06/03/09

FS 1-7

REF/127/FIN

## STS-127 MIDDECK STOWAGE (Cont)

### AFT LOCKERS

#### MA9D

Bag, Double Cold  
Cartridge, Crack Gun (2)  
Icepac (10)

#### MA9F

CTB, Photo TV Stow-N-Go  
AVIU (5)  
Brackets  
  Base Multiuse  
  Clamp Multiuse (3)  
  Lockline Flex  
  Multiuse (3)  
Cables  
  AVIU Video (4)  
  Balanced Video (2)  
  Digital CC Video Pwr (5)  
  PCMCIA to WIB-Remote  
  PD100 A/V Adapter  
  VPU Patch  
Computer Desk, Inflight (2)  
Lens, Wide Conversion  
PCMCIA RS-422 Card  
VTR w/Tape (3)  
Tape, Digital Video (26)

#### MA9G

Adapter, RS-422 (4)  
Cables  
  A31p Enhanced DC Pwr  
  A31p Pwr Supply  
  A31p Video Adapter  
  Fuel Cell PCMMU  
  OPP to LCS RJ45  
  PCMMU, 24 ft  
  PGSC Pwr, 10 ft  
  PGSC Pwr, 25 ft  
  PGSC Pwr, 6 ft  
  RJ45, 16 ft  
  RJ45, 32 ft (2)  
  RS-422 Extension, 10 ft  
  RS-422 Y, 15 ft  
  TriPort PCMCIA (5)  
  VLHS to VTS I/F (2)  
  WAP Pwr Supply, 10 ft  
  WAP Pwr, 10 ft  
Card, PCMCIA (3)  
OCA Board  
Relay (3)  
Wireless RF Network Card (8)  
WLE Receiver (2)

#### MA9J

Cables  
  AC W  
  Parallel Data  
  Pwr, AC, 20 ft  
Printer, Color  
  Cartridge, Black (2)  
  Cartridge, Color (2)  
  Paper (2)  
  Washcloth  
  

#### MA9L

Tray, Color Printer (2)  
ACTEX (2)  
Adapter, Dash 2  
Filter, Microbe (Spare)  
Hoses  
  ACTEX  
  Filter Hose  
  Water Supply  
Microbial Check Valve (MCV)

06/03/09

FS 1-8

REF/127/FIN



## STS-127 MIDDECK STOWAGE (Cont)

### AFT LOCKERS (Cont)

#### MA9N

Kit, Personal Hygiene (PHK) (6)  
Bracket Clamp (2)  
Bracket, Multiuse (3)  
Chem lights  
    Green (27)  
    Red (28)  
Desk, PGSC (3)  
Kit, Contaminant Cleanup  
Fiberscope Light Source  
Fiberscope, Video  
Kit, Fluid Loading (2)  
Restraints  
    Foot Loop (Spare) (6)  
    Seat (Spare) (2)  
Trash Bag, WMC (Spare)

#### MA16D

Bag, Chemical Resistant (2)  
Bottle, Air Sample (2)  
Breaker Bar (Pallet Removal)  
Breakout Box  
Cartridge Nozzle  
Duxseal  
Extension, 4 in  
Filter, Waste Water Dump

#### MA16D

(Cont)  
IFM Fastener Retainer Cushion  
Kits  
    Foam Applicator (2)  
    RMS D&C IFM  
Lubricant  
Turnbuckle (3)

#### MA16F

Bag, CHeCS

#### MA16G

Audio Dosimeter  
Batts  
    AA (30)  
    Li-ION (10)  
Bends Treatment Adapter (BTA)  
Camera, D2XS w/Card  
COAS  
    Bracket Adapter (2)  
    Filter, NI-CR  
Light Shade (2)  
Worklight (2)

#### MA16J

ISS Food | ISS Food

#### MA16L

ISS Food | ISS Food

#### MA16N

BAL/UNBAL Transformer  
Batt Cap/Fuse (LIDAR)  
Batts  
    AA  
    BPSMU (2)  
    LIDAR (2)  
BPSMU (2)  
Cables  
    BNC to BNC  
    BPSMU to CCU Adapter (2)  
    LIDAR I/F (2)  
    PCS-PDIP 1553 Orbiter  
    PGSC Pwr, 6 ft  
    SSV to PDIP/CIP (2)  
Kits  
    Medical Accessory  
    SSV Fuse  
LIDAR w/Nightscope  
SSV Compression Encoder

06/03/09

FS 1-9

REF/127/FIN

## STS-127 MIDDECK STOWAGE (Cont)

### WASTE MGMT COMPARTMENT

Bag, Emesis (7)  
Prefilter, Conical (20)  
Scraper Tool  
Towels (36)  
Urinal Funnel, Female Oblong  
Urinal Funnel, Female Oval  
Urinal Funnel, Male (7)  
Washcloths (32)  
WCS Tool  
Bag, Elbow (16)  
Clothing, 1st Day (7)  
Hose, SUPA  
Dry Wipes, Multi-Purpose (29 pkg)  
Gloves (2 pkg)  
Trash Bag, Coffee Can (10 pkg)  
Wet Washes (6 pkg)  
Wipes, Disinfectant (3 pkg)

### VOL B (MA4D)

Bag, Elbow (18)  
Bag, Emesis (13)  
Bag, Inflight Stowage (2)  
Dry Wipes, Multi-Purpose (73 pkg)  
Gloves (3 pkg)  
Gloves, Shoulder length (1 pkg)  
Prefilter, Conical (20)  
Trash Bag, Coffee Can (16)  
Wet Wash (50 pkg)  
Wipes, Disinfectant (7 pkg)

### VOL 3B (MA73J)

Batts  
Li-ION (2, 1 installed)  
NiMH  
Camcorder, G1 w/Tape  
Camera, D2XS w/4GB Card  
Flash  
Lens  
12-24mm  
400mm  
Memory Card, 4GB  
OCAC  
Quick Don Mask (3)  
Spotlight

### VOL D (MD52C)

Batt, AA (6)  
Coax Cable Torque Adapter (2)  
Crack Repair Gun (Manual) w/Thermal  
Cover (2)  
Palette (2)  
Downlink Data Multiplexer  
DTV VTR Pouch  
EVA Camera Mount w/Thermal Blanket  
EVA Camera Strap  
EVA Thermal Sensor  
EVA Wipes (5)

### VOL D (MD52C)

(Cont)  
Flow Shut Off Valve  
Kit, Emittance Wash Applicator (2)  
Modular MWS RH Swingarm  
RCC Crack Bag  
RCC CRM Scraper, 2 in (4)  
RCC CRM Scraper, 5 in (2)  
RCC Leading Edge Special Wrench  
Ruler and Protuberance Gauge  
Tether Extension (2)  
VIP  
VTR, DSR-25

### VOL E (MD76C)

OFK/PPK

### VOL F (MD76M)

Trash Bag, Wet

### VOL G (MD80R)

Bag, Apollo Fecal (40)  
CUCD, Male (54)  
CWC (2)  
Filter, OBF  
Gloves (1 pkg)  
Pull-Ups (24)  
Ziplock Bag, 13x18 (8)

06/03/09

FS 1-10

REF/127/FIN

## STS-127 MIDDECK STOWAGE (Cont)

### LiOH VOL (MD52M)

Canisters  
ATCO  
LiOH (29)  
Gloves, Nitrile (40)  
G-Suit (6)  
Mask, Surgical Filter (30)

### EXTERNAL AIRLOCK

PORT  
EMU – EV2 (see EVA C/L)  
STBD  
EMU – EV1 (see EVA C/L)

### AIRLOCK FLOOR BAG

Crew Care Pkg (4)  
Crew Preference  
Hygiene, Kopra  
ISS Food, Half CTB (7)

### VOL H (MD23R)

INBOARD  
See EVA C/L  
OUTBOARD  
See EVA C/L

### MA12B (WINDOW SHADE BAG)

Bag, Window Shade  
Bag, IFM Cont Hose and Cable Kit  
Adapter, Red/Yellow  
Cables  
AC Pwr Cont Transfer, 15 ft  
AVIU Adapter, 1 ft  
DC Harness, 24 ft (2)  
DC Pigtail Connector (2)  
MCIU Data, 10 ft  
MCIU to PNL L15, 6 ft  
Minicam Extension, 13 ft  
Minicam Orbit, 10 ft  
OCA Spare  
PPOV Teac Wye  
Clamp, Various Sizes (14)  
Gloves, Clean Room  
Hoses  
1/4 in (6 ft)  
3/8 in (6 ft)  
Cont Blue/Blue  
Cont Red/Red  
Cont Yellow/Yellow, 8 ft  
CWC Contingency, 20 ft  
CWC Contingency (Sterile), 20 ft  
O2 Contingency  
Kit, Parachute Repack (2)  
Protective Cover Wireway (3)  
Shade, CCTV Monitor (2)  
VPMP Panel Cover (2)

### MA12B (WINDOW SHADE BAG)

(Cont)  
Bag, Window Shade (Cont)  
Water Equipment  
Filter, Wand Extender  
Galley Needle (Spare)  
Separator, Water/Gas (2)  
Supply Water Dump Line Purge  
Device  
Water Dispenser, Contingency  
Window Shade, Ovhd (2)  
Window Shade, Aft (2)  
Window Shield, Ovhd (2)  
Ziplocks for CWC, 36x36 (10)

**STS-127 MIDDECK STOWAGE (Cont)**

**MIDDECK CEILING**

BAG E (Port 1)

ACES (MS5 DN)  
Bag, Suit Stowage  
Boots  
CCA  
Gloves  
G-Suit  
Harness  
LCG  
Clothing, CDR  
Clothing, MS4  
Clothing, MS5  
PHK, Community  
RSK Rail 6  
Bushing  
Headrest, RSK  
ICU Bracket (2)  
ICU Strap  
Towels, Lintless (24)  
Washcloths (100)

BAG F (Port 2)

Card, PCMCIA (5)  
IELK  
Shoes, Athletic  
Shoes, Cycling

**MIDDECK CEILING**

(Cont)

BAG G (Stbd 1)

Bag, Jettison Stowage  
Discrete Jumper Cables 1 & 2  
Kits  
Blood Collection  
Urine Collection (UCK)  
Water  
Wire Harness  
Batt, EMU  
Charger, Batt  
Cables  
BDS Pwr  
EFBM Contingency Sensor Cable  
JEM BEP Jumper  
Camera, D2XS  
CCC (6)  
CWC-I (8)  
FRED  
LCVG  
SAFER Hand Control Mount  
Wire Harness

**MIDDECK CEILING**

(Cont)

BAG H (Stbd 2)

CAP ISS2, LTAB  
CCA (EMU)  
Cover, Arm Wrist Leg Protective (8)  
DIDB (6)  
DOSIS  
ECOK  
EVA Receptacle Cover (2)  
Gloves, Phase VI (2 pr)  
Hex Drive, 1/4 in w/6 in extension  
ISS Food  
LCVG w/Biomed  
LWR Arm (2)  
MUT EE

06/03/09

FS 1-12

REF/127/FIN

## STS-127 MIDDECK STOWAGE (Cont)

### MIDDECK FLOOR

#### BAG A (Port 1)

Contingency UCD (6)  
Cover, Arm Wrist (8)  
DIDB (16)  
ECOK (2)  
Entry Garments  
Equipment Tether, Adjustable  
w/Slide Lock (6)  
Equipment Tether, Retractable  
w/Slide Lock (11)  
ERADK  
Eyeglasses  
Fecal Collection (2)  
Filled Cartridge (2)  
Gloves, Phase VI (4 pr)  
Kit, Contact Lens  
LCVG w/Biomed  
MMWS Tool Stowage Caddy  
Modular Mini Workstation (MWS)  
Key Strap  
MWS (2)  
PEEL (4)  
Safety Tether, 85 ft (2)  
Tether, Body Restraint  
Tether, Waist w/Slide Lock (2)  
Trash Bag, Large EVA  
Wolf A/L Clothing

### MIDDECK FLOOR

(Cont)

#### BAG B (Port 2)

CTB, Water Transfer  
CWC-I (7)  
ESA Flag  
OGA FSE  
Urine Collection Kit, Solo

#### BAG C (Stbd 1)

Air Sample Bottles  
Clothing, Kopra  
Crew Preference, ISS  
ISS Food (4)  
LIDAR w/Night Scope

#### BAG D (Stbd 2)

CWC-I (5)  
ISS Food (2)  
Recycle Filter Tank

06/03/09

FS 1-13

REF/127/FIN

## STS-127 LIGHTWEIGHT MAR

### ML60B

Cables  
CCTV 20' Cabin  
RS-232 9-Pin  
TV Controller CIP  
TV Controller/CTVM  
Centerline Camera, Prime  
Feeler Gauge (4)  
Harness, Centerline Camera  
Screws (20)  
TV Controller Unit  
Washer (6)  
Wipes, Disinfectant

### ML60E

Access Point, Proxim (2)  
Cables  
PDIP RS-422 Y, 24 ft  
RJ45, 32 ft  
RS-232 Y, 15 ft  
RS-422 Y, 15 ft  
Expansion, OCA  
Expansion, PCMMU (2)  
PGSCs  
STS-1 – OCA Router  
STS-2 – Windecom  
STS-3 – KFX  
STS-4 – Worldmap  
STS-5 – RPOP  
STS-6 – RPOP2  
STS-7 – WLES

06/03/09

### ML60E

(Cont)  
Pwr Supply, DC (2)  
Pwr Supply, DC 28V (8)  
Ultraport Camera (2)

### ML60M

Centerline Camera, Backup  
Harness, Centerline Backup  
Ultrasonic Leak Detector  
Acoustic Tip  
Adapter  
Batt, 9V (2)  
Concentrator  
Headset  
Probe, Extension (3)  
Receiver  
Transmitter

FS 1-14

REF/127/FIN

## STS-127 CONSUMABLES

<u>Item</u>	<u>Location</u>	<u>Total Qty</u>
Contingency Urine/Fecal Collection Devices:		
CUCDs (male)	VOL G (MD80R)	54
Apollo Fecal Bags	VOL G (MD80R)	40
Pull-Ups	VOL G (MD80R)	24
Disinfectant Wipes (26/pkg) (4/cm/day)	Waste Mgmt Compartment	3 pkg 78
	VOL B (MA4D)	7 pkg 182
	ML60B	1 pkg 26
	MF57H	1pkg <u>26</u>
		312
Dry Wipes, Multi-Purpose (24/pkg) (20/cm/day)	Waste Mgmt Compartment	29 pkg 696
	VOL B (MA4D)	73 pkg <u>1752</u>
		2448
Elbow Bags	Waste Mgmt Compartment	16
	VOL B (MA4D)	<u>18</u>
		34
Emesis Bags	Waste Mgmt Compartment	7
	VOL B (MA4D)	<u>13</u>
		20
Gloves (50/pkg) (2/cm/day)	Waste Mgmt Compartment	2 pkg 100
	VOL B (MA4D)	3 pkg 150
	VOL G (MD80R)	1 pkg <u>50</u>
		300
Gloves, Shoulder Length	VOL B (MA4D)	1 pkg 25
Prefilters, Conical	Waste Mgmt Compartment	20
	VOL B (MA4D)	<u>20</u>
		40
Towels (half/cm/day)	Waste Mgmt Compartment	36
	MD Bag E (Port 1)	<u>24</u>
		60
Trash Bags (Coffee Can Bags) (10/pkg) (2/cm/day)	Waste Mgmt Compartment	10 pkg 100
	VOL B (MA4D)	16 pkg <u>160</u>
		260

NOTE: The qty/day is based on 7 crewmembers and 15 days

**STS-127 CONSUMABLES (Cont)**

<u>Item</u>	<u>Location</u>		<u>Total Qty</u>
Washcloths (1/cm/day)	Waste Mgmt Compartment MD Bag E (Port 1)		32 <u>100</u> 132
Wet Washes – (40/pkg) (17/cm/day for Hygiene)	Waste Mgmt Compartment VOL B (MA4D)	6 pkg 50 pkg	240 <u>2000</u> 2240

---

NOTE: The qty/day is based on 7 crewmembers and 15 days



ALPHA-  
BETIC

ALPHABETICAL STOWAGE

FS 2-1

REF/127/FIN

**ALPHA-  
BETIC**

**ALPHABETICAL STOWAGE**

<u>ITEM</u>	<u>QTY</u>	<u>LOCATION</u>	<u>NOTES</u>
<b>A</b>			
Access Point, Proxim	2	ML60E	
Accessories		MF57A	VOL A, Pantry Food
ACES (MS5 DN)		MD Ceiling	BAG E (Port 1)
Acoustic Tip		ML60M	Ultrasonic Leak Detector
ACTEX	2	MA9L	
Adapter		ML60M	Ultrasonic Leak Detector
Adapter, BNC-RCA	2	A17	Core Camcorder Bag
Adapter, BNC-T	2	A17	Core Camcorder Bag
Adapter, Dash 2		MA9L	
Adapter, Flash Card	4	A16	Camera Bag
Adapter, RCA-BNC	2	A17	Core Camcorder Bag
Adapter, Red/Yellow		MA12B	Window Shade Bag, IFM CHCK Bag
Adapter, RS-422	4	MA9G	
Air Sample Bottles		MD Floor	BAG C (Stbd 1)
APAS Hatch Tool		MF57C	Docking Mechanism Accessory Kit
Audio Dosimeter		MA16G	
AVIU		L10 Upper	
AVIU	5	MA9F	Photo TV Stow-N-Go CTB
<b>B</b>			
BAG A (Port 1)		MD Floor	
BAG B (Port 2)		MD Floor	
BAG C (Stbd 1)		MD Floor	
BAG D (Stbd 2)		MD Floor	
06/03/09		FS 2-2	REF/127/FIN

<u>ITEM</u>	<u>QTY</u>	<u>LOCATION</u>	<u>NOTES</u>
<b>B (Cont)</b>			
BAG E (Port 1)		MD Ceiling	
BAG F (Port 2)		MD Ceiling	
BAG G (Stbd 1)		MD Ceiling	
BAG H (Stbd 2)		MD Ceiling	
Bag, Apollo Fecal	40	MD80R	VOL G
Bag, Camera		A16	
Bag, CHeCS		MA16F	
Bag, Chemical Resistant	2	MA16D	
Bag, Core Camcorder		A17	
Bag, Double Cold		MA9D	
Bag, DTV Camcorder		A17	
Bag, Elbow	18	MA4D	VOL B
Bag, Elbow	16	WMC	
Bag, Emesis	13	MA4D	VOL B
Bag, Emesis	7	WMC	
Bag, Helmet	2	MF57H	
Bag, IFM Cont Hose and Cable Kit		MA12B	Window Shade Bag
Bag, Inflight Stowage	2	MA4D	VOL B
Bag, Inflight Stowage Restraint	9	MF57H	
Bag, Jettison Stowage		MD Ceiling	BAG G (Stbd 1)
Bag, Jettison Stowage	7	MF57H	
Bag, Suit Stowage		MD Ceiling	BAG E (Port 1), ACES (MS5 DN)
Bag, Window Shade		MA12B	WINDOW SHADE BAG
Bags	4	MF57G	Vacuum Cleaner
BAL/UNBAL Transformer		A17	DTV Camcorder Bag
BAL/UNBAL Transformer		MA16N	
Batt Cap/Fuse (LIDAR)		MA16N	
Batt Charger, Li-ION		A17	Core Camcorder Bag
06/03/09	FS 2-3		REF/127/FIN

<u>ITEM</u>	<u>QTY</u>	<u>LOCATION</u>	<u>NOTES</u>
<b>B (Cont)</b>			
Batt Door (Spare)		A16	Camera Bag
Batt Pack, CSA-CP	3	MF57C	CSA-CP
Batt, 9V	2	ML60M	Ultrasonic Leak Detector
Batt, AA	30	MA16G	
Batt, AA		MA16N	
Batt, AA	6	MD52C	VOL D
Batt, BPSMU	2	MA16N	
Batt, EMU		MD Ceiling	BAG G (Stbd 1)
Batt, LIDAR	2	MA16N	
Batt, Li-ION	6	A17	Core Camcorder Bag
Batt, Li-ION	10	MA16G	
Batt, Li-ION	2, 1 installed	MA73J	VOL 3B
Batt, NiMH		MA73J	VOL 3B
Batt, Silver Oxide, 1.5V	2	A17	Core Camcorder Bag
BCAT		MF28G	
Bends Treatment Adapter (BTA)		MA16G	
Binoculars	2	A17	DTV Camcorder Bag
Biocide Cartridge	5	MF71O	
Boots		MD Ceiling	BAG E (Port 1), ACES (MS5 DN)
Bottle, Air Sample	2	MA16D	
BPSMU	2	MA16N	
Bracket Adapter	2	MA16G	COAS
Bracket Clamp	2	MA9N	
Bracket, Base Multiuse		MA9F	Photo TV Stow-N-Go CTB
Bracket, Clamp Multiuse	3	MA9F	Photo TV Stow-N-Go CTB
Bracket, HUD		A17	DTV Camcorder Bag, Mini-Cam (HUD Entry) Camera
Bracket, Lockline Flex		MA9F	Photo TV Stow-N-Go CTB
06/03/09		FS 2-4	REF/127/FIN

<u>ITEM</u>	<u>QTY</u>	<u>LOCATION</u>	<u>NOTES</u>
<b>B (Cont)</b>			
Bracket, Multiuse	3	A16	
Bracket, Multiuse		A17	Core Camcorder Bag
Bracket, Multiuse	3	MA9F	Photo TV Stow-N-Go CTB
Bracket, Multiuse	3	MA9N	
Breaker Bar (Pallet Removal)		MA16D	
Breakout Box		MA16D	
Bungee	2	A16	PILOT Hand Controller
Bungee, Adjustable	10	MF57H	
Bushing		MD Ceiling	BAG E (Port 1), RSK Rail 6
<b>C</b>			
Cable, 12VDC Circular to XLR		L10 Lower	
Cable, A31p Enhanced DC Pwr		MA9G	
Cable, A31p Pwr Supply		MA9G	
Cable, A31p Video Adapter		MA9G	
Cable, AC Pwr Cont Transfer, 15 ft		MA12B	Window Shade Bag, IFM CHCK Bag
Cable, AC W		MA9J	
Cable, AVIU Adapter, 1 ft		MA12B	Window Shade Bag, IFM CHCK Bag
Cable, AVIU CC		A17	DTV Camcorder Bag
Cable, AVIU Video		A17	DTV Camcorder Bag
Cable, AVIU Video	4	MA9F	Photo TV Stow-N-Go CTB
Cable, Balanced Orbiter		L10 Lower	
Cable, Balanced Video		A17	DTV Camcorder Bag
Cable, Balanced Video	2	MA9F	Photo TV Stow-N-Go CTB
Cable, BDS Pwr		MD Ceiling	BAG G (Stbd 1)
Cable, Biomed	2	MF28H	
Cable, BNC to BNC	4	L10 Lower	
06/03/09		FS 2-5	REF/127/FIN

<u>ITEM</u>	<u>QTY</u>	<u>LOCATION</u>	<u>NOTES</u>
<b>C (Cont)</b>			
Cable, BNC to BNC		MA16N	
Cable, BNC to RCA	3	L10 Lower	
Cable, BNC Video		A17	DTV Camcorder Bag
Cable, BPSMU A/V Patch		A17	DTV Camcorder Bag
Cable, BPSMU to CCU Adapter	2	MA16N	
Cable, CCTV 20' Cabin		ML60B	
Cable, Comm 14 ft		MF57H	Comm Kit
Cable, Comm 4 ft		MF57H	Comm Kit
Cable, DC Harness, 24 ft	2	MA12B	Window Shade Bag, IFM CHCK Bag
Cable, DC Pigtail Connector	2	MA12B	Window Shade Bag, IFM CHCK Bag
Cable, DC Pwr, 20 ft		MF57G	Vacuum Cleaner
Cable, Digital CC		L10 Lower	
Cable, Digital CC Vid/Pwr, 15 ft		L10 Upper	
Cable, Digital CC Video Pwr	5	MA9F	Photo TV Stow-N-Go CTB
Cable, DTV IEEE 1394 4-Pin to Male		L10 Lower	
Cable, DTV IEEE 4-Pin to Female		L10 Upper	
Cable, DTV IEEE 4-Pin to Male		L10 Upper	
Cable, EFBM Contingency Sensor Cable		MD Ceiling	BAG G (Stbd 1)
Cable, Fuel Cell PCMMU		MA9G	
Cable, IEEE 1394 4-Pin Firewire		A17	DTV Camcorder Bag
Cable, IEEE 1394, 15 ft		A17	DTV Camcorder Bag
Cable, IEEE 1394, Crew Cable		A17	DTV Camcorder Bag
Cable, JEM BEP Jumper		MD Ceiling	BAG G (Stbd 1)
Cable, LIDAR I/F	2	MA16N	
Cable, MCIU Data, 10 ft		MA12B	Window Shade Bag, IFM CHCK Bag
Cable, MCIU to PNL L15, 6 ft		MA12B	Window Shade Bag, IFM CHCK Bag
Cable, Minicam Extension, 13 ft		MA12B	Window Shade Bag, IFM CHCK Bag
Cable, Minicam Orbit, 10 ft		MA12B	Window Shade Bag, IFM CHCK Bag
06/03/09		FS 2-6	REF/127/FIN

<u>ITEM</u>	<u>QTY</u>	<u>LOCATION</u>	<u>NOTES</u>
<b>C (Cont)</b>			
Cable, Monitor to VIU/CM, 20 ft		A17	DTV Camcorder Bag
Cable, MPC to DTV Mux, 3 ft		L10 Upper	
Cable, MPC to DTV Mux, 9 ft		L10 Upper	
Cable, OCA Spare		MA12B	Window Shade Bag, IFM CHCK Bag
Cable, OPP to LCS RJ45		MA9G	
Cable, Parallel Data		MA9J	
Cable, PCMCIA to WIB-Remote		A17	DTV Camcorder Bag
Cable, PCMCIA to WIB-Remote		MA9F	Photo TV Stow-N-Go CTB
Cable, PCMMU, 24 ft		MA9G	
Cable, PCS-PDIP 1553 Orbiter		MA16N	
Cable, PD100 A/V Adapter		A17	DTV Camcorder Bag
Cable, PD100 A/V Adapter		MA9F	Photo TV Stow-N-Go CTB
Cable, PDIP RS-422 Y, 24 ft		ML60E	
Cable, PGSC DC Pwr, 10 ft		A16	
Cable, PGSC DC Pwr, 6 ft		A16	
Cable, PGSC Pwr, 10 ft		MA9G	
Cable, PGSC Pwr, 25 ft		MA9G	
Cable, PGSC Pwr, 6 ft		MA16N	
Cable, PGSC Pwr, 6 ft		MA9G	
Cable, PILOT RS-232 Pwr/Data Y		A16	PILOT Hand Controller
Cable, PPOV Teac Wye		L10 Upper	
Cable, PPOV Teac Wye		MA12B	Window Shade Bag, IFM CHCK Bag
Cable, Pwr, AC, 20 ft		MA9J	
Cable, RCA-RCA		A17	DTV Camcorder Bag
Cable, RJ45, 16 ft		MA9G	
Cable, RJ45, 32 ft	2	MA9G	
Cable, RJ45, 32 ft		ML60E	
Cable, RS-232 9-Pin		ML60B	
06/03/09		FS 2-7	REF/127/FIN

<u>ITEM</u>	<u>QTY</u>	<u>LOCATION</u>	<u>NOTES</u>
<b>C (Cont)</b>			
Cable, RS-232 Y, 15 ft		ML60E	
Cable, RS-422 Extension, 10 ft		MA9G	
Cable, RS-422 Y, 15 ft		MA9G	
Cable, RS-422 Y, 15 ft		ML60E	
Cable, Shutter Release w/Extension		A16	Camera Bag
Cable, SSV to PDIP/CIP	2	MA16N	
Cable, S-Video A31p		A17	DTV Camcorder Bag
Cable, TriPort PCMCIA	5	MA9G	
Cable, TV Controller CIP		ML60B	
Cable, TV Controller/CTVM		ML60B	
Cable, VIP ATU I/F		L10 Lower	
Cable, VIP Pwr		L10 Lower	
Cable, VLHS to VTS I/F	2	MA9G	
Cable, VPU Patch	2	A17	DTV Camcorder Bag
Cable, VPU Patch		MA9F	Photo TV Stow-N-Go CTB
Cable, WAP Pwr Supply, 10 ft		MA9G	
Cable, WAP Pwr, 10 ft		MA9G	
Camcorder, Canon HG1 w/Tape		A17	Core Camcorder Bag
Camcorder, G1 w/Tape		MA73J	VOL 3B
Camera, D2XS		MD Ceiling	BAG G (Stbd 1)
Camera, D2XS w/4GB Card		MA73J	VOL 3B
Camera, D2XS w/Card		MA16G	
Camera, Mini-Cam (HUD Entry)		A17	DTV Camcorder Bag
Canister, ATCO		MD52M	LiOH VOL
Canister, LiOH	29	MD52M	LiOH VOL
Canister, WCS (Coffee Can)		MF57H	
CAP ISS2, LTAB		MD Ceiling	BAG H (Stbd 2)
Card, DCS 760	7	A16	Camera Bag
06/03/09		FS 2-8	REF/127/FIN



<u>ITEM</u>	<u>QTY</u>	<u>LOCATION</u>	<u>NOTES</u>
<b>C (Cont)</b>			
Card, PCMCIA	3	MA9G	
Card, PCMCIA	5	MD Ceiling	BAG F (Port 2)
Cartridge Nozzle		MA16D	
Cartridge, Black	2	MA9J	Color Printer
Cartridge, Color	2	MA9J	Color Printer
Cartridge, Crack Gun	2	MA9D	
CCA		MD Ceiling	BAG E (Port 1), ACES (MS5 DN)
CCA (EMU)		MD Ceiling	BAG H (Stbd 2)
CCC	6	MD Ceiling	BAG G (Stbd 1)
Centerline Camera, Backup		ML60M	
Centerline Camera, Prime		ML60B	
CGSC Vu Blank Sheet		MF43C	
Charger, Batt		MD Ceiling	BAG G (Stbd 1)
Chemlight, Green	27	MA9N	
Chemlight, Red	28	MA9N	
Clamp, Various Sizes	14	MA12B	Window Shade Bag, IFM CHCK Bag
Cleaning Solution		A16	Camera Bag
Clothing, 1st Day	7	WMC	
Clothing, CDR		MD Ceiling	BAG E (Port 1)
Clothing, CDR		MF57E	
Clothing, Kopra		MD Floor	BAG C (Stbd 1)
Clothing, MS1		MF43H	
Clothing, MS2		MF71E	
Clothing, MS3		MF43M	
Clothing, MS4		MD Ceiling	BAG E (Port 1)
Clothing, MS4		MF71M	
Clothing, MS5		MD Ceiling	BAG E (Port 1)
Clothing, MS5 DN		MF57M	
06/03/09		FS 2-9	REF/127/FIN

<u>ITEM</u>	<u>QTY</u>	<u>LOCATION</u>	<u>NOTES</u>
<b>C (Cont)</b>			
Clothing, MS5 UP		MF57M	
Clothing, PLT		MF71H	
COAS		MA16G	
COAX Cable Torque Adapter	2	MD52C	VOL D
Computer Desk, Inflight	3	A16	
Computer Desk, Inflight	2	MA9F	Photo TV Stow-N-Go CTB
Concentrator		ML60M	Ultrasonic Leak Detector
Container, Sharps		MF28H	
Contingency UCD	6	MD Floor	BAG A (Port 1)
Converter, IVA 1394		A17	DTV Camcorder Bag
Coupler, TWINAX	2	A17	Core Camcorder Bag
Cover, Arm Wrist	8	MD Floor	BAG A (Port 1)
Cover, HUD	2	MF57H	
Cover, Parachute	7	MF57H	
Cover, Arm Wrist Leg Protective	8	MD Ceiling	BAG H (Stbd 2)
Crack Repair Gun (Manual) w/Thermal Cover	2	MD52C	VOL D
Crew Care Pkg	4	A/L Floor Bag	
Crew Preference		A/L Floor Bag	
Crew Preference, ISS		MD Floor	BAG C (Stbd 1)
Crew Support		MF71G	
CSA-CP		MF57C	
CTB, Photo TV Stow-N-Go		MA9F	
CTB, Water Transfer		MD Floor	BAG B (Port 2)
CUCD, Male	54	MD80R	VOL G
CWC	2	MD80R	VOL G
CWC, Condensate Collection	2	MF57C	
CWC-I	8	MD Ceiling	BAG G (Stbd 1)
CWC-I	7	MD Floor	BAG B (Port 2)
CWC-I	5	MD Floor	BAG D (Stbd 2)
06/03/09		FS 2-10	REF/127/FIN

<u>ITEM</u>	<u>QTY</u>	<u>LOCATION</u>	<u>NOTES</u>
<b>D</b>			
Desk, PGSC	3	MA9N	
Detent Release Tool	2	MF710	
DIDB	6	MD Ceiling	BAG H (Stbd 2)
DIDB	16	MD Floor	BAG A (Port 1)
Discrete Jumper Cables 1 & 2		MD Ceiling	BAG G (Stbd 1), Jettison Stowage Bag
DOSIS		MD Ceiling	BAG H (Stbd 2)
Downlink Data Multiplexer		MD52C	VOL D
Dry Wipe	2	A16	Camera Bag
Dry Wipes, Multi-Purpose	73 pkg	MA4D	VOL B
Dry Wipes, Multi-Purpose	29 pkg	WMC	
DTV MUX		L10 Lower	
DTV VTR Pouch		MD52C	VOL D
Duxseal		MA16D	
<b>E</b>			
Eating Utensils		MF57A	VOL A, Pantry Food
ECOK		MD Ceiling	BAG H (Stbd 2)
ECOK	2	MD Floor	BAG A (Port 1)
EMU – EV1 (See EVA C/L)		External A/L	STBD
EMU – EV2 (See EVA C/L)		External A/L	PORT
Entry Garments		MD Floor	BAG A (Port 1)
Equipment Tether, Adjustable w/Slide Lock	6	MD Floor	BAG A (Port 1)
Equipment Tether, Retractable w/Slide Lock	11	MD Floor	BAG A (Port 1)
ERADK		MD Floor	BAG A (Port 1)
ESA Flag		MD Floor	BAG B (Port 2)
EVA Camera Mount w/Thermal Blanket		MD52C	VOL D
EVA Camera Strap		MD52C	VOL D
06/03/09		FS 2-11	REF/127/FIN

<u>ITEM</u>	<u>QTY</u>	<u>LOCATION</u>	<u>NOTES</u>
<b>E (Cont)</b>			
EVA Receptacle Cover	2	MD Ceiling	BAG H (Stbd 2)
EVA Thermal Sensor		MD52C	VOL D
EVA Wipes	5	MD52C	VOL D
Exercise Rope, ARED		MF71O	
Expansion, OCA		ML60E	
Expansion, PCMMU	2	ML60E	
Extension, 4 in		MA16D	
Eyeglasses		MD Floor	BAG A (Port 1)
<b>F</b>			
FDF		C4A	
FDF		C4F	
FDF		MF43C	
FDF		MF43E	
FDF		R3A	
FDF		R3F	
Fecal Collection	2	MD Floor	BAG A (Port 1)
Feeler Gauge	4	ML60B	
Fiberscope Light Source		MA9N	
Fiberscope, Video		MA9N	
Filled Cartridge	2	MD Floor	BAG A (Port 1)
Filter, Microbe (Spare)		MA9L	
Filter, NI-CR		MA16G	COAS
Filter, OBF		MD80R	VOL G
Filter, Wand Extender		MA12B	Window Shade Bag, Water Equipment
Filter, Waste Water Dump		MA16D	
Flash		A16	Camera Bag
06/03/09	FS 2-12		REF/127/FIN

<u>ITEM</u>	<u>QTY</u>	<u>LOCATION</u>	<u>NOTES</u>
<b>F (Cont)</b>			
Flash		MA73J	VOL 3B
Flow Shut Off Valve		MD52C	VOL D
Food, Fresh		MF14E	
Food, Fresh		MF14G	
Food, Menu		MF14G	
Food, Menu		MF14H	
Food, Menu		MF14K	
Food, Menu		MF14M	
Food, Menu		MF14O	
Food, Menu		MF28K	
Food, Menu		MF28M	
Food, Menu		MF28O	
FRED		MD Ceiling	BAG G (Stbd 1)
<b>G</b>			
Galley Needle (Spare)		MA12B	Window Shade Bag, Water Equipment
Gloves	3 pkg	MA4D	VOL B
Gloves		MD Ceiling	BAG E (Port 1), ACES (MS5 DN)
Gloves	1 pkg	MD80R	VOL G
Gloves	2 pkg	WMC	
Gloves, Clean Room		MA12B	Window Shade Bag, IFM CHCK Bag
Gloves, Nitrile	40	MD52M	LiOH VOL
Gloves, Phase VI	2 pr	MD Ceiling	BAG H (Stbd 2)
Gloves, Phase VI	4 pr	MD Floor	BAG A (Port 1)
Gloves, Shoulder length	1 pkg	MA4D	VOL B
GP Manual Valve Installation		MF43C	
G-Suit		MD Ceiling	BAG E (Port 1), ACES (MS5 DN)
G-Suit	6	MD52M	LiOH VOL
06/03/09		FS 2-13	REF/127/FIN

<u>ITEM</u>	<u>QTY</u>	<u>LOCATION</u>	<u>NOTES</u>
<b>H</b>			
Harness		MD Ceiling	BAG E (Port 1), ACES (MS5 DN)
Harness, Centerline Backup		ML60M	
Harness, Centerline Camera		ML60B	
Headphones		A17	Core Camcorder Bag
Headrest, RSK		MD Ceiling	BAG E (Port 1), RSK Rail 6
Headset		ML60M	Ultrasonic Leak Detector
Hex Drive, 1/4 in w/6 in extension		MD Ceiling	BAG H (Stbd 2)
Holter Replenishment Bag		MF710	
Hose, 1/4 in (6 ft)		MA12B	Window Shade Bag, IFM CHCK Bag
Hose, 3/8 in (6 ft)		MA12B	Window Shade Bag, IFM CHCK Bag
Hose, ACTEX		MA9L	
Hose, Cont Blue/Blue		MA12B	Window Shade Bag, IFM CHCK Bag
Hose, Cont Red/Red		MA12B	Window Shade Bag, IFM CHCK Bag
Hose, Cont Yellow/Yellow, 8 ft		MA12B	Window Shade Bag, IFM CHCK Bag
Hose, CWC Contingency (Sterile), 20 ft		MA12B	Window Shade Bag, IFM CHCK Bag
Hose, CWC Contingency, 20 ft		MA12B	Window Shade Bag, IFM CHCK Bag
Hose, Filter Hose		MA9L	
Hose, O2 Contingency		MA12B	Window Shade Bag, IFM CHCK Bag
Hose, Personal Hygiene		MF57H	
Hose, SUPA	16	MF57C	
Hose, SUPA		WMC	
Hose, Water Supply		MA9L	
Hose, WCS Canister		MF57H	
Hose, Y-Y 8 ft Condensate		MF57C	
Hygiene, Kopra		A/L Floor Bag	

06/03/09

FS 2-14

REF/127/FIN

<u>ITEM</u>	<u>QTY</u>	<u>LOCATION</u>	<u>NOTES</u>
<b>I</b>			
Icepac	10	MA9D	
ICU Bracket	2	MD Ceiling	BAG E (Port 1), RSK Rail 6
ICU Strap		MD Ceiling	BAG E (Port 1), RSK Rail 6
IELK		MD Ceiling	BAG F (Port 2)
IFM Fastener Retainer Cushion		MA16D	
IFM Tools		MF43G	
INBOARD – See EVA C/L		MD23R	VOL H
ISS Food		MA16J	
ISS Food		MA16L	
ISS Food		MD Ceiling	BAG H (Stbd 2)
ISS Food		MD Floor	BAG C (Stbd 1)
ISS Food	2	MD Floor	BAG D (Stbd 2)
ISS Food		MF28E	
ISS Food		MF28G	
ISS Food		MF43K	
ISS Food		MF43O	
ISS Food		MF57E	
ISS Food		MF57O	
ISS Food		MF71C	
ISS Food		MF71K	
ISS Food		MF71M	
ISS Food, Half CTB	7	A/L Floor Bag	
<b>K</b>			
Kit, Blood Collection		MD Ceiling	BAG G (Stbd 1), Jettison Stowage Bag
Kit, Blood Collection		MF71O	
Kit, Comm		MF57H	
Kit, Contact Lens		MD Floor	BAG A (Port 1)
Kit, Contaminant Cleanup		MA9N	
06/03/09	FS 2-15		REF/127/FIN

<u>ITEM</u>	<u>QTY</u>	<u>LOCATION</u>	<u>NOTES</u>
<b>K (Cont)</b>			
Kit, Docking Mechanism Accessory		MF57C	
Kit, Dosimeter		MF28H	
Kit, DTV MUX Fuse		A17	DTV Camcorder Bag
Kit, Electrode		MF28H	
Kit, Emittance Wash Applicator	2	MD52C	VOL D
Kit, Fluid Loading	2	MA9N	
Kit, Foam Applicator	2	MA16D	
Kit, Medical Accessory		MA16N	
Kit, Medical Accessory		MF28H	
Kit, Microbe-I		MF71O	
Kit, Mineral Syringe		MF71O	
Kit, Operational Bioinstrumentation System		MF28H	
Kit, Parachute Repack	2	MA12B	Window Shade Bag
Kit, Personal Hygiene (PHK)	6	MA9N	
Kit, RMS D&C IFM		MA16D	
Kit, Saliva Collection	2	MF71O	
Kit, Sample/Purge		MF71O	
Kit, SEE		MF57H	
Kit, Solo Blood Sample		MF43C	
Kit, SSV Fuse		MA16N	
Kit, Urine Collection (UCK)		MD Ceiling	BAG G (Stbd 1), Jettison Stowage Bag
Kit, Water		MD Ceiling	BAG G (Stbd 1), Jettison Stowage Bag
<b>L</b>			
LCG		MD Ceiling	BAG E (Port 1), ACES (MS5 DN)
LCVG		MD Ceiling	BAG G (Stbd 1)
LCVG w/Biomed		MD Ceiling	BAG H (Stbd 2)
LCVG w/Biomed		MD Floor	BAG A (Port 1)
06/03/09		FS 2-16	REF/127/FIN



<u>ITEM</u>	<u>QTY</u>	<u>LOCATION</u>	<u>NOTES</u>
<b>L (Cont)</b>			
Leg Bar, FRED		A16	
Lens, 10.5mm		A16	Camera Bag
Lens, 12-24mm		MA73J	VOL 3B
Lens, 12mm		A17	DTV Camcorder Bag, Mini-Cam (HUD Entry) Camera
Lens, 17-35mm		A16	Camera Bag
Lens, 28-70mm		A16	Camera Bag
Lens, 28mm		A16	Camera Bag
Lens, 35mm w/filter		A16	Camera Bag
Lens, 400mm		MA73J	VOL 3B
Lens, 80-200mm		A16	Camera Bag
Lens, Wide Angle		A17	Core Camcorder Bag
Lens, Wide Conversion		MA9F	Photo TV Stow-N-Go CTB
LIDAR w/Nightscope		MA16N	
LIDAR w/Nightscope		MD Floor	BAG C (Stbd 1)
Light Shade	2	MA16G	
Lubricant		MA16D	
LWR Arm	2	MD Ceiling	BAG H (Stbd 2)
<b>M</b>			
Mask, Surgical Filter	30	MD52M	LiOH VOL
Memory Card, 4GB		MA73J	VOL 3B
Microbial Check Valve (MCV)		MA9L	
Microphone		A17	Core Camcorder Bag
Microphone, Handheld		MF57H	Comm Kit
Mirror, Personal Hygiene	2	MF57H	
MMWS Tool Stowage Caddy		MD Floor	BAG A (Port 1)
Modular Mini Workstation (MWS) Key Strap		MD Floor	BAG A (Port 1)
06/03/09		FS 2-17	REF/127/FIN

<u>ITEM</u>	<u>QTY</u>	<u>LOCATION</u>	<u>NOTES</u>
<b>M (Cont)</b>			
Modular MWS RH Swingarm Assy		MD52C	VOL D
MPC		L10 Upper	
MUT EE		MD Ceiling	BAG H (Stbd 2)
MWS	2	MD Floor	BAG A (Port 1)
<b>O</b>			
O2 Bleed Orifice		MF57H	PIP Pin
OCA Board		MA9G	
OCAC		MA73J	VOL 3B
OFK/PPK		MD76C	VOL E
OGA FSE		MD Floor	BAG B (Port 2)
OIU		L11	
OUTBOARD – See EVA C/L		MD23R	VOL H
<b>P</b>			
Palette	2	MD52C	VOL D, Crack Repair Gun (Manual) w/Thermal Cover
Pantry Food		MF57A	VOL A
Paper	2	MA9J	Color Printer
PCMCIA RS-422 Card		MA9F	Photo TV Stow-N-Go CTB
PDIP 1		L12	
PDIP 2		L11	
PEEL	4	MD Floor	BAG A (Port 1)
PGSC, STS-1 – OCA Router		ML60E	
PGSC, STS-2 – Windecom		ML60E	
PGSC, STS-3 – KFX		ML60E	
06/03/09		FS 2-18	REF/127/FIN

<u>ITEM</u>	<u>QTY</u>	<u>LOCATION</u>	<u>NOTES</u>
<b>P (Cont)</b>			
PGSC, STS-4 – Worldmap		ML60E	
PGSC, STS-5 – RPOP		ML60E	
PGSC, STS-6 – RPOP2		ML60E	
PGSC, STS-7 – WLES		ML60E	
PHK, Community		MD Ceiling	BAG E (Port 1)
PILOT Hand Controller		A16	
PIP Pin		MF57H	
PIP Pin	12	MF57H	PIP Pin
PIP Pin, Egress Pole (Spare)		MF57H	PIP Pin
Plug Attach Bolt	4	MF57K	
Plug Attach Bolt, Bottom Body Halve	4	MF57K	
Plug Attach Bolt, Top Body Halve	4	MF57K	
Plug Tethers	3	MF57K	
Prefilter, Conical	20	MA4D	VOL B
Prefilter, Conical	20	WMC	
Printer, Color		MA9J	
Probe, Extension	3	ML60M	Ultrasonic Leak Detector
Protective Cover Wireway	3	MA12B	Window Shade Bag
Pry Bar, Window 8		A17	
Pull-Ups	24	MD80R	VOL G
Pwr Supply, DC		A16	
Pwr Supply, DC	2	ML60E	
Pwr Supply, DC 28V	8	ML60E	
Pwr Supply, MPC		L10 Upper	
<b>Q</b>			
Quick Don Mask	4	A17	
Quick Don Mask	3	MA73J	VOL 3B
06/03/09		FS 2-19	REF/127/FIN

<u>ITEM</u>	<u>QTY</u>	<u>LOCATION</u>	<u>NOTES</u>
<b>R</b>			
RCC Crack Bag		MD52C	VOL D
RCC CRM Scraper, 2 in	4	MD52C	VOL D
RCC CRM Scraper, 5 in	2	MD52C	VOL D
RCC Leading Edge Special Wrench		MD52C	VOL D
RCC Plug Cover Plate	18	MF57K	
Receiver		ML60M	Ultrasonic Leak Detector
Recycle Filter Tank		MD Floor	BAG D (Stbd 2)
Relay	3	MA9G	
Remote, PD1		A17	Core Camcorder Bag
Remote, PD100		L10 Upper	
Restraint	4	MF28H	
Restraint, Foot Loop (Spare)	6	MA9N	
Restraint, Seat (Spare)	2	MA9N	
Resuscitator		MF43K	
RSK Rail 6		MD Ceiling	BAG E (Port 1)
Ruler and Protuberance Gauge		MD52C	VOL D
<b>S</b>			
SAFER Hand Control Mount		MD Ceiling	BAG G (Stbd 1)
Safety Tether, 85 ft	2	MD Floor	BAG A (Port 1)
Saline	2	MF28H	
Saliva Collection Pouch	3	MF710	
Sampling Pump		MF57C	CSA-CP
Sampling Pump Filter		MF57C	CSA-CP
Scraper Tool		WMC	
Screws	20	ML60B	
Separator, Water/Gas	2	MA12B	Window Shade Bag, Water Equipment
06/03/09		FS 2-20	REF/127/FIN

<u>ITEM</u>	<u>QTY</u>	<u>LOCATION</u>	<u>NOTES</u>
<b>S (Cont)</b>			
Shade, CCTV Monitor	2	MA12B	Window Shade Bag
Shoes, Athletic		MD Ceiling	BAG F (Port 2), IELK
Shoes, Cycling		MD Ceiling	BAG F (Port 2), IELK
SODF		MF28G	
SODF		MF43C	
SPAS/OPP/OBSS		R12	
Spotlight		MA73J	VOL 3B
SSP-1/SSP-2		L12	
SSV Compression Encoder		MA16N	
Subpack, Airway		MF28H	
Subpack, Drug		MF28H	
Subpack, EENT		MF28H	
Subpack, IV Administration		MF28H	
Subpack, Saline Supply		MF28H	
Subpack, Trauma		MF28H	
Supply Water Dump Line Purge Device		MA12B	Window Shade Bag, Water Equipment
Switch Guard		MF57H	
<b>T</b>			
T Barrel Nuts	4	MF57K	
Tape, Digital Video	34	A17	Core Camcorder Bag
Tape, Digital Video	171	L10 Upper	
Tape, Digital Video	26	MA9F	
Tape, Gray, 1 in		MF57H	
Tape, Gray, 2 in		MF57H	
Tape, Sony Video	14	L10 Upper	
T-Bar	4	MF57K	
06/03/09		FS 2-21	REF/127/FIN

<u>ITEM</u>	<u>QTY</u>	<u>LOCATION</u>	<u>NOTES</u>
<b>T (Cont)</b>			
Tether Extension	2	MD52C	VOL D
Tether, Body Restraint		MD Floor	BAG A (Port 1)
Tether, Waist w/Slide Lock	2	MD Floor	BAG A (Port 1)
Thermal Blanket, EVA		A16	Camera Bag
Tie Wrap	10	A16	PILOT Hand Controller
Tie Wrap, 14 in		A17	DTV Camcorder Bag, Mini-Cam (HUD Entry) Camera
Tool, Cabin Fan Filter		MF57G	Vacuum Cleaner
Tool, Crevice		MF57G	Vacuum Cleaner
Tool, DDU Filter/Flex Modular		MF57G	Vacuum Cleaner
Tool, Flex Hose/Suction Hose		MF57G	Vacuum Cleaner
Tool, Hose Adapter		MF57G	Vacuum Cleaner
Towel		MF57C	
Towels	36	WMC	
Towels, Lintless	24	MD Ceiling	BAG E (Port 1)
Transmitter		ML60M	Ultrasonic Leak Detector
Trash Bag, Coffee Can	16	MA4D	VOL B
Trash Bag, Coffee Can	10 pkg	WMC	
Trash Bag, Large EVA		MD Floor	BAG A (Port 1)
Trash Bag, Wet		MD76M	VOL F
Trash Bag, WMC (Spare)		MA9N	
Tray, Color Printer	2	MA9L	
Turnbuckle	3	MA16D	
TV Controller Unit		ML60B	

06/03/09

FS 2-22

REF/127/FIN

<u>ITEM</u>	<u>QTY</u>	<u>LOCATION</u>	<u>NOTES</u>
<b>U</b>			
Ultraport Camera	2	ML60E	
Ultrasonic Leak Detector		ML60M	
Universal Repair Plug		MF57K	
Urinal Funnel, Female Oblong		WMC	
Urinal Funnel, Female Oval		WMC	
Urinal Funnel, Male	7	WMC	
Urine Collection Kit, Solo		MD Floor	BAG B (Port 2)
Urine Tube Dispenser	2	MF710	
<b>V</b>			
Vacuum Cleaner		MF57G	
VIP		L10 Lower	
VIP		MD52C	VOL D
VLHS	2	MF57H	Comm Kit
VPMP Panel Cover	2	MA12B	Window Shade Bag
VPU		R12	
VPU Plug, Green		L10 Upper	
VTR (w/tape installed)		L10 Lower	
VTR w/Tape	3	MA9F	Photo TV Stow-N-Go CTB
VTR, DSR-25		MD52C	VOL D
<b>W</b>			
Washcloth		MA9J	Color Printer
Washcloths	100	MD Ceiling	BAG E (Port 1)
Washcloths	32	WMC	
06/03/09		FS 2-23	REF/127/FIN

<u>ITEM</u>	<u>QTY</u>	<u>LOCATION</u>	<u>NOTES</u>
<b>W (Cont)</b>			
Washer	6	ML60B	
Water Dispenser, Contingency		MA12B	Window Shade Bag, Water Equipment
Water Equipment		MA12B	Window Shade Bag
WCS Tool		WMC	
Wet Wash	50 pkg	MA4D	VOL B
Wet Washes	6 pkg	WMC	
Window Shade, Aft	2	MA12B	Window Shade Bag
Window Shade, Ovhd	2	MA12B	Window Shade Bag
Window Shield, Ovhd	2	MA12B	Window Shade Bag
Wipes, Disinfectant	7 pkg	MA4D	VOL B
Wipes, Disinfectant	1 pkg	MF57H	
Wipes, Disinfectant		ML60B	
Wipes, Disinfectant	3 pkg	WMC	
Wire Harness		MD Ceiling	BAG G (Stbd 1)
Wire Harness		MD Ceiling	BAG G (Stbd 1), Jettison Stowage Bag
Wireless RF Network Card	8	MA9G	
WLE Receiver	2	MA9G	
Wolf A/L Clothing		MD Floor	BAG A (Port 1)
Worklight	2	MA16G	
<b>Z</b>			
Zero Filter		MF57C	CSA-CP
Ziplock Bag, 12x12	8	MF57H	
Ziplock Bag, 13x18	8	MD80R	VOL G
Ziplock Bag, 8x8	20	MF57H	
Ziplock, 10x10	16	A17	DTV Camcorder Bag
Ziplocks for CWC, 36x36	10	MA12B	Window Shade Bag
06/03/09		FS 2-24	REF/127/FIN



FDF DOCUMENTATION STOWAGE

LAUNCH CONFIG – LOCKER..... FS 3-2  
– ALPHABETICAL..... FS 3-3

FDF

FS 3-1

REF/127/FIN

FDF

**LAUNCH CONFIG – LOCKER  
(EXCLUDES “CARRY-ON” ITEMS)**

**R3A**

Data Card Kit  
ASC Data Cards  
DEORB and ENT Data  
Cards  
ORBIT Data Cards  
ORB PKT

**R3F**

ENT  
ENT PKT  
POST INSERTION  
SYS AOA

**C4A**

FDF Accessory Kit 1  
ORB PKT  
STAR Chart

**C4F**

ENT  
ENT PKT  
POST INSERTION  
SYS AOA

**MF43C – 1/2 LOCKER**

Book Clips, Gold (8)  
CD, EVA Books (2)  
CD-ROM Disc Set  
CD, Crew Systems  
Reference  
CD, ISS Ext Images  
CD, Landing Sites  
CD, Payload Bay Closeout  
Photos  
CD, PILOT (2)  
CD, STS-127 FDF Books  
CD, TV Controller (CTVC)  
DVD, A31p OCA PGSC  
Reload  
DVD, A31p PGSC Reload  
Disk Sleeve Unit  
Disk Stowage Bags (2)  
(Ziplock w/Velcro)  
Thumbdrive (7)  
EVA (2)  
EVA Cue Card Kit  
EVA Cuff Kit  
EVA Cuff C/L (2)  
FDF Accessory Kit 2  
Hard Drive – A31p OCA  
Router Load  
Hard Drive – A31p STS Load

**MF43C – 1/2 LOCKER**

(Cont)  
IFM  
MAL (Vols I and II)  
MED  
PHOTO TV Lighting Covers (2)  
Ultrabay Adapter

**MF43E – FULL LOCKER**

DEORBIT PREP (4)  
Flight Deck Stowage Bag 1  
Book Clip, Gold (6)  
Clamp, Book (2)  
CONT DEORB (2)  
ORB OPS (3)  
PHOTO TV  
Flight Deck Stowage Bag 2  
Book Clip, Gold (6)  
FLIGHT PLAN (2)  
PDRS OPS  
REF  
Message Folder (2)  
Middeck Cue Card Kit  
MS1 Cue Card Kit  
Overlay Kit

**MF43E – FULL LOCKER**

(Cont)  
PDRS Cue Card Kit  
PDRS Overlay Kit  
PDRS OPS (2)  
PHOTO TV  
PHOTO TV Cue Card Kit  
RNDZ  
RNDZ Cue Card Kit  
RNDZ Overlay Kit

06/03/09

FS 3-2

REF/127/FIN

## LAUNCH CONFIG – ALPHABETICAL

ITEM NAME	QTY	STOWAGE LOCATION		
A31P PGSC Camera A/D Range Ruler Cue Card	1	MF43E	RNDZ Cue Card Kit	RNDZ Overlay Kit
A31P PGSC Display of C/L Camera Corridor and Alignment Cue Card	1	MF43E	RNDZ Cue Card Kit	RNDZ Overlay Kit
ADI Error/Rate Switch (ASC) ADI Error/Rate Switch (ENT) Cue Card	1	CARRY-ON	CDR	Ascent Cards
ADI Error/Rate Switch (ASC) ADI Error/Rate Switch (ENT) Cue Card	1	CARRY-ON	PLT	Ascent Cards
AFT Flight Deck Reconfiguration Cue Card	1	CARRY-ON	MS2	
Airway (ILMA) Cue Card	1	MED SOMS Kit		
Analog Playback Cue Card	1	MF43E	Photo TV Cue Card Kit	
AOA Deorbit Burn (2 Eng) AOA Deorbit Burn (1 Eng) Cue Card	2	R3A	Data Card Kit	Ascent Data Cards
AOA Deorbit Burn (RCS) Cue Card	2	R3A	Data Card Kit	Ascent Data Cards
Approach VBAR Approach Cue Card	2	MF43E	RNDZ Cue Card Kit	
ASC C/L	1	CARRY-ON	CDR	
ASC C/L	1	CARRY-ON	MS1	
ASC C/L	1	CARRY-ON	MS2	
ASC C/L	1	CARRY-ON	PLT	
ASC PKT C/L	1	CARRY-ON	CDR	
ASC PKT C/L	1	CARRY-ON	MS1	
ASC PKT C/L	1	CARRY-ON	MS2	
ASC PKT C/L	1	CARRY-ON	PLT	

06/03/09

FS 3-3

REF/127/FIN

**LAUNCH CONFIG – ALPHABETICAL (Cont)**

<b>ITEM NAME</b>	<b>QTY</b>	<b>STOWAGE LOCATION</b>		
Ascent ADI – Nominal Entry Alpha – KSC 15 Cue Card	1	CARRY-ON	CDR	Ascent Cards
Ascent ADI – Nominal Entry Alpha – KSC 15 Cue Card	1	CARRY-ON	MS2	
Ascent ADI – Nominal Entry Alpha – KSC 15 Cue Card	1	CARRY-ON	PLT	Ascent Cards
ASCENT Data Cards	1	R3A	Data Card Kit	
Ascent Flip Book	1	CARRY-ON	CDR	
Ascent Flip Book	1	CARRY-ON	PLT	
Ascent Flip Book Support	1	CARRY-ON	CDR	
Ascent Flip Book Support	1	CARRY-ON	PLT	
Ascent/Abort Summary Cue Card	1	CARRY-ON	CDR	Ascent Cards
Ascent/Abort Summary Cue Card	1	CARRY-ON	MS2	Ascent Cards
Ascent/Abort Summary Cue Card	1	CARRY-ON	PLT	Ascent Cards
Battery Cue Card	1	MF43C	EVA Cue Card Kit	
Binder Clip, Black	6	MF43C	FDF Accessory Kit 2	
Binder Rings, Metal	3	MF43C	FDF Accessory Kit 2	
Binder Rings, Nylon	12	MF43C	FDF Accessory Kit 2	
Book Clip, Gold	8	MF43C		
Book Clip, Gold	2	MF43E	FD Stowage Bag 1	Pocket D
Book Clip, Gold	2	MF43E	FD Stowage Bag 1	Pocket E
Book Clip, Gold	2	MF43E	FD Stowage Bag 1	Pocket F
Book Clip, Gold	2	MF43E	FD Stowage Bag 2	Pocket D

06/03/09

FS 3-4

REF/127/FIN

**LAUNCH CONFIG – ALPHABETICAL (Cont)**

ITEM NAME	QTY	STOWAGE LOCATION		
Book Clip, Gold	2	MF43E	FD Stowage Bag 2	Pocket E
Book Clip, Gold	2	MF43E	FD Stowage Bag 2	Pocket F
Book Clip, Gold	2	C4A	FDF Accessory Kit 1	
Book Clip, Gold	4	MF43C	FDF Accessory Kit 2	
C/L Camera Corridor and Alignment Cue Card	2	MF43E	RNDZ Cue Card Kit	RNDZ Overlay Kit
C/L Camera Target Alignment (+Vbar) Cue Card	1	MF43E	RNDZ Cue Card Kit	
C/L Camera Zoom Calibration (Ring Ready For Dock) Cue Card	1	MF43E	RNDZ Cue Card Kit	RNDZ Overlay Kit
Cable Ties w/tags	6	MF43C	FDF Accessory Kit 2	
Camera A/D Range Ruler Cue Card	1	MF43E	RNDZ Cue Card Kit	RNDZ Overlay Kit
CD, Crew Systems Reference	1	MF43C	CD-ROM Disc Set	
CD, EVA Books	2	MF43C		
CD, ISS Exterior Images	1	MF43C	CD-ROM Disc Set	
CD, Landing Sites	1	MF43C	CD-ROM Disc Set	
CD, Payload Bay Closeout Photos	1	MF43C	CD-ROM Disc Set	
CD, PILOT	2	MF43C	CD-ROM Disc Set	
CD, STS-127 FDF Books	1	MF43C	CD-ROM Disc Set	
CD, TV Controller (CTVC)	1	MF43C	CD-ROM Disc Set	
CDR Window Flip Book	1	CARRY-ON	CDR	
CD-ROM Disc Set	1	MF43C		
Clamp, Book	2	MF43E	FD Stowage Bag 1	Pocket B
Cont Abort RTLS Cont Cue Card	1	CARRY-ON	CDR	Wedge

06/03/09

FS 3-5

REF/127/FIN

**LAUNCH CONFIG – ALPHABETICAL (Cont)**

ITEM NAME	QTY	STOWAGE LOCATION		
Cont Abort RTLS Cont Cue Card	1	CARRY-ON	MS1	
Cont Abort RTLS Cont Cue Card	1	CARRY-ON	MS2	
Cont Abort RTLS Cont Cue Card	1	CARRY-ON	PLT	Wedge
CONT DEORB	2	MF43E	FD Stowage Bag 1	Pocket C
Crew Notebook	1	CARRY-ON	CDR	
Crew Notebook	1	CARRY-ON	MS1	
Crew Notebook	1	CARRY-ON	MS2	
Crew Notebook	1	CARRY-ON	MS3	
Crew Notebook	1	CARRY-ON	MS4	
Crew Notebook	1	CARRY-ON	MS5	
Crew Notebook	1	CARRY-ON	PLT	
D/O Burn (2 Eng) D/O Burn (1 Eng) Cue Card	1	R3A	Data Card Kit	D/O & Entry Data Cards / CDR Pouch
D/O Burn (2 Eng) D/O Burn (1 Eng) Cue Card	1	R3A	Data Card Kit	D/O & Entry Data Cards / PLT Pouch
D/O Burn (RCS) Cue Card	1	R3A	Data Card Kit	D/O & Entry Data Cards / CDR Pouch
D/O Burn (RCS) Cue Card	1	R3A	Data Card Kit	D/O & Entry Data Cards / PLT Pouch
D/O Burn Flight Rules Cue Card	1	R3A	Data Card Kit	D/O & Entry Data Cards / CDR Pouch

06/03/09

FS 3-6

REF/127/FIN

**LAUNCH CONFIG – ALPHABETICAL (Cont)**

ITEM NAME	QTY	STOWAGE LOCATION		
D/O Burn Flight Rules Cue Card	1	R3A	Data Card Kit	D/O & Entry Data Cards / PLT Pouch
D/O Burn Monitor OMS Failures Cue Card	1	R3A	Data Card Kit	D/O & Entry Data Cards / CDR Pouch
D/O Burn Monitor OMS Failures Cue Card	1	R3A	Data Card Kit	D/O & Entry Data Cards / PLT Pouch
D2Xs Setup Cue Card	1	MF43E	Photo TV Cue Card Kit	
Data Card Kit	1	R3A		
Day Before D/O Activities Cue Card	1	MF43E	MS1 Cue Card Kit	
DEORB and ENT Data Cards	1	R3A	Data Card Kit	
DEORB PREP	1	MF43E		
DEORB PREP	1	MF43E		
DEORB PREP	1	MF43E		
DEORB PREP	1	MF43E		
Depress/Repress-Nom Failed Leak Check Cue Card	1	MF43C	EVA Cue Card Kit	
Digital Playback Cue Card	1	CARRY-ON	MS2	
Disk Sleeve Unit	1	MF43C		
Disk Stowage Bags (Ziplock w/Velcro)	2	MF43C	Disk Sleeve Unit	
Docking Sequence Cue Card	2	MF43E	RNDZ Cue Card Kit	
Drafting Dots	20	C4A	FDF Accessory Kit 1	
Drafting Dots	20	MF43C	FDF Accessory Kit 2	
Drafting Dots	20	MF43E	PDRS Cue Card Kit	PDRS Overlay Kit

06/03/09

FS 3-7

REF/127/FIN

**LAUNCH CONFIG – ALPHABETICAL (Cont)**

ITEM NAME	QTY	STOWAGE LOCATION		
Drafting Dots	20	MF43E	RNDZ Cue Card Kit	RNDZ Overlay Kit
DVD, A31p OCA PGSC Reload	1	MF43C	CD-ROM Disc Set	
DVD, A31p PGSC Reload	1	MF43C	CD-ROM Disc Set	
Emergency Egress (Oversized) Cue Card	1	CARRY-ON	Middeck	
Emergency Egress ACES Troubleshooting Cue Card	2	CARRY-ON	Middeck	
Emergency Egress ACES Troubleshooting Cue Card	1	CARRY-ON	MS1	
Emergency Egress ACES Troubleshooting Cue Card	1	CARRY-ON	MS2	
ENT C/L	1	CARRY-ON	MS1	
ENT C/L	1	CARRY-ON	MS2	
ENT C/L	1	C4F		
ENT C/L	1	R3F		
ENT PKT C/L	1	CARRY-ON	MS1	
ENT PKT C/L	1	CARRY-ON	MS2	
ENT PKT C/L	1	C4F		
ENT PKT C/L	1	R3F		
Entry Control High Freq OSC or Surf/Jet Cyc Cue Card	1	CARRY-ON	CDR	Wedge
Entry Control High Freq OSC or Surf/Jet Cyc Cue Card	1	CARRY-ON	PLT	Wedge
Entry Maneuvers Cue Card	1	CARRY-ON	CDR	Wedge

06/03/09

FS 3-8

REF/127/FIN



**LAUNCH CONFIG – ALPHABETICAL (Cont)**

ITEM NAME	QTY	STOWAGE LOCATION		
Entry Maneuvers Cue Card	1	CARRY-ON	PLT	Wedge
Entry No-Go C/L	2	R3A	Data Card Kit	D/O & Entry Data Cards
Emergency Egress Cue Card				
Eraser	1	C4A	FDF Accessory Kit 1	
Eraser	1	MF43C	FDF Accessory Kit 2	
Ergometer Cue Card	1	Shoe Bag		
Escape Panel Egress Cue Card	1	CARRY-ON	MS2	
ET Photo Cue Card	2	CARRY-ON	MS2	
ET Sep Cue Card	1	CARRY-ON	PLT	Ascent Cards
EVA C/L	1	MF43C		
EVA C/L	1	MF43C		
EVA Cue Card Kit	1	MF43C		
EVA Cuff C/L	2	MF43C	EVA Cuff Kit	
EVA Cuff Kit	1	MF43C		
Expedited Suit Doffing	1	ISS EVA Ziplock		
Emergency Undocking Cue Card				
FD Stowage Bag 1	1	MF43E		
FD Stowage Bag 2	1	MF43E		
FDF Accessory Kit 1	1	C4A		
FDF Accessory Kit 2	1	MF43C		
Fire/Smoke (A/E)	1	CARRY-ON	CDR	Ascent Cards
Fire/Smoke (Orbit)				
OV105 Cue Card				

06/03/09

FS 3-9

REF/127/FIN

**LAUNCH CONFIG – ALPHABETICAL (Cont)**

ITEM NAME	QTY	STOWAGE LOCATION		
Flight SUB ANG Ruler Cue Card	1	MF43E	RNDZ Cue Card Kit	RNDZ Overlay Kit
FLT PLN	1	MF43E	FD Stowage Bag 2	Pocket C
FLT PLN	1	MF43E	FD Stowage Bag 2	Pocket C
FMI TAL Redesignation ECAL-ZZA or MRN or FMI Prime TAL Cue Card	1	CARRY-ON	MS1	
FMI TAL Redesignation ECAL-ZZA or MRN or FMI Prime TAL Cue Card	1	CARRY-ON	MS2	
Galley Iodine Removal Assembly (GIRA) Installation CWC (Contingency Water Container) Fill Cue Card	1	CARRY-ON	Middeck	
Generic End Effector – Shuttle Not Docked Ops Generic End Effector – ISS/Shuttle Docked Ops Cue Card	1	MF43E	PDRS Cue Card Kit	
GPC/MDM Failure Response RNDZ Ref Data Cue Card	2	MF43E	RNDZ Cue Card Kit	
Grease Pencil, Black	1	C4A	FDF Accessory Kit 1	
Grease Pencil, Red	1	C4A	FDF Accessory Kit 1	
Hard Drive, A31p OCA Router Load	1	MF43C		
Hard Drive, A31p STS Load	1	MF43C		
Hazard Spill Response – Orbiter Cue Card	1	MF43E	Middeck Cue Card Kit	
Highlighter, Narrow Tip, Blue	2	MF43C	FDF Accessory Kit 2	
Highlighter, Narrow Tip, Green	2	MF43C	FDF Accessory Kit 2	
Highlighter, Narrow Tip, Yellow	2	MF43C	FDF Accessory Kit 2	
ICC SJ Grapple at Handoff Wrist CCTV Overlay Cue Card	1	MF43E	PDRS Cue Card Kit	PDRS Overlay Kit

06/03/09

FS 3-10

REF/127/FIN

**LAUNCH CONFIG – ALPHABETICAL (Cont)**

ITEM NAME	QTY	STOWAGE LOCATION		
ICC SJ Grapple in PLB Wrist CCTV Overlay Cue Card	1	MF43E	PDRS Cue Card Kit	PDRS Overlay Kit
ICC SJ Ungrapple at Handoff Wrist CCTV Overlay Cue Card	1	MF43E	PDRS Cue Card Kit	PDRS Overlay Kit
ICC SJ Ungrapple in PLB Wrist CCTV Overlay Cue Card	1	MF43E	PDRS Cue Card Kit	PDRS Overlay Kit
IDC Cue Card	1	MF43E	Photo TV Cue Card Kit	
IFM C/L	1	MF43C		
JAXA MLI Cue Card	1	MF43C	EVA Cue Card Kit	
JEF SJ Grapple at Handoff 1 Wrist CCTV Overlay Cue Card	1	MF43E	PDRS Cue Card Kit	PDRS Overlay Kit
JEF SJ Ungrapple at Handoff 2 Wrist CCTV Overlay Cue Card	1	MF43E	PDRS Cue Card Kit	PDRS Overlay Kit
JLE SJ Grapple at Handoff Wrist CCTV Overlay Cue Card	1	MF43E	PDRS Cue Card Kit	PDRS Overlay Kit
JLE SJ Grapple in PLB Wrist CCTV Overlay Cue Card	1	MF43E	PDRS Cue Card Kit	PDRS Overlay Kit
JLE SJ Ungrapple at Handoff Wrist CCTV Overlay Cue Card	1	MF43E	PDRS Cue Card Kit	PDRS Overlay Kit
JLE SJ Ungrapple in PLB Wrist CCTV Overlay Cue Card	1	MF43E	PDRS Cue Card Kit	PDRS Overlay Kit
KU Antenna Overlay Cue Card	1	MF43E	Overlay Kit	
KU OPS Cue Card	1	R3A	Data Card Kit	Orbit Data Cards
KU OPS Cue Card	1	MF43E	RNDZ Cue Card Kit	

06/03/09

FS 3-11

REF/127/FIN

**LAUNCH CONFIG – ALPHABETICAL (Cont)**

ITEM NAME	QTY	STOWAGE LOCATION		
LCS Cue Card	1	MF43E	Photo TV Cue Card Kit	
LDRI/ITVC A7 PLACARD Cue Card	1	CARRY-ON	MS2	
LDRI/ITVC Cue Card	1	MF43E	Photo TV Cue Card Kit	
Leaking OMS Prplt/He Burn Cue Card	2	R3A	Data Card Kit	Orbit Data Cards
LiOH Changeout	1	CARRY-ON	Middeck	
LiOH Canister Stowage Locations Cue Card				
LOC/Breakup Cue Card	1	CARRY-ON	CDR	
LOC/Breakup Cue Card	3	CARRY-ON	Middeck	
LOC/Breakup Cue Card	1	CARRY-ON	MS1	
LOC/Breakup Cue Card	1	CARRY-ON	MS2	
LOC/Breakup Cue Card	1	CARRY-ON	PLT	
MAL	1	MF43C		
MAPS	1	CARRY-ON	MS1	
MAUI – RCS Firing Sequence Cue Card	2	R3A	Data Card Kit	Orbit Data Cards
Mechanical Pencil	4	C4A	FDF Accessory Kit 1	
Mechanical Pencil	8	MF43C	FDF Accessory Kit 2	
MED	1	MF43C		
Media Allocations Cue Card	1	MF43E	Photo TV Cue Card Kit	
Medication Data Log Cue Card	1	MED SOMS Kit		
Message Folder	2	MF43E		
Middeck Cue Card Kit	1	MF43E		
Middeck Reconfiguration Cue Card	2	CARRY-ON	Middeck	

06/03/09

FS 3-12

REF/127/FIN

**LAUNCH CONFIG – ALPHABETICAL (Cont)**

ITEM NAME	QTY	STOWAGE LOCATION		
MN C-DC Utility Power MO63P Cue Card	1	MF43E	Middeck Cue Card Kit	
MPS 1 Cue Card	1	CARRY-ON	PLT	Ascent Cards
MPS 2 Cue Card	1	CARRY-ON	CDR	
MPS 2 Cue Card	1	CARRY-ON	PLT	Ascent Cards
MPS 2/MPS 1 Cue Card	1	CARRY-ON	MS2	
MPS He P (Pre MECO)/MPS PNEU TK (Reg) P Cue Card	1	CARRY-ON	PLT	Ascent Cards
MRN TAL Redesignation ECAL-ZZA or MRN or FMI Prime TAL Cue Card	1	CARRY-ON	MS1	
MRN TAL Redesignation ECAL-ZZA or MRN or FMI Prime TAL Cue Card	1	CARRY-ON	MS2	
MS Middeck Activities Cue Card	1	MF43E	Middeck Cue Card Kit	
MS Middeck Backout Activities Cue Card	1	MF43E	Middeck Cue Card Kit	
MS1 Cue Card Kit	1	MF43E		
OBSS LDRI/ITVC Grid Overlay Cue Card	1	MF43E	PDRS Cue Card Kit	PDRS Overlay Kit
OBSS Scan Pattern Cue Card – STBD & Port OBSS Scan Pattern Cue Card – Nose Cap Cue Card	1	MF43E	PDRS Cue Card Kit	
OBSS Scan Pattern Cue Card – Wing Glove & Crew Cabin Cue Card	1	MF43E	PDRS Cue Card Kit	
OBSS SJ Grapple at Handoff Cue Card	1	MF43E	PDRS Cue Card Kit	PDRS Overlay Kit
OBSS SJ Ungrapple at Handoff Cue Card	1	MF43E	PDRS Cue Card Kit	PDRS Overlay Kit
ODS Volume Fire/Smoke Cue Card	1	MF43E	Middeck Cue Card Kit	
OMS 2 Burn Monitor OMS Failures Cue Card	1	CARRY-ON	CDR	Wedge

06/03/09

FS 3-13

REF/127/FIN

**LAUNCH CONFIG – ALPHABETICAL (Cont)**

ITEM NAME	QTY	STOWAGE LOCATION		
OMS 2 Burn Monitor OMS Failures Cue Card	1	CARRY-ON	PLT	Wedge
OMS 2/Orbit OMS Burns OPS 1 RCS Burn Cue Card	1	CARRY-ON	CDR	Wedge
OMS 2/Orbit OMS Burns OPS 1 RCS Burn Cue Card	1	CARRY-ON	PLT	Wedge
OPS 1/6/TAL Transition Restrिंग Post OPS 3 GRTLS Transition Restrिंग Cue Card	1	CARRY-ON	CDR	Ascent Cards
OPS 1/6/TAL Transition Restrिंग Post OPS 3 GRTLS Transition Restrिंग Cue Card	1	CARRY-ON	MS2	
ORB OPS C/L	2	MF43E	FD Stowage Bag 1	Pocket A
ORB OPS C/L	1	MF43E	FD Stowage Bag 1	Pocket B
ORB PKT C/L	1	C4A		
ORB PKT C/L	1	R3A		
Orbit Burn Monitor OMS Failures Cue Card	2	R3A	Data Card Kit	Orbit Data Cards
ORBIT Data Cards	1	R3A	Data Card Kit	
Orbit Spec (R11) Primary C/W Parameter Matrix Cue Card	1	R3A	Data Card Kit	Orbit Data Cards
Overlay for ROEU PL SEL Position Cue Card	1	MF43E	PDRS Cue Card Kit	
Overlay Kit	1	MF43E		
P/TV Lighting Covers	2	MF43C		
Panel R14 – OV105 Only Cue Card	1	CARRY-ON	MS1	
PCMCIA Hard Disk – Late Updates	1	CARRY-ON	MS1	

06/03/09

FS 3-14

REF/127/FIN

**LAUNCH CONFIG – ALPHABETICAL (Cont)**

ITEM NAME	QTY	STOWAGE LOCATION		
PCMCIA Hard Disk – Late Updates	1	CARRY-ON	MS3	
PDRS Cue Card Kit	1	MF43E		
PDRS OPS C/L	1	MF43E	FD Stowage Bag 2	Pocket B
PDRS OPS C/L	1	MF43E		
PDRS OPS C/L	1	MF43E		
PDRS Overlay Kit	1	MF43E	PDRS Cue Card Kit	
PDRS Target Overlay for CTVM Cue Card	2	MF43E	PDRS Cue Card Kit	PDRS Overlay Kit
PGSC Usage Chart Cue Card	1	CARRY-ON	MS1	
Photo Grid Overlay Cue Card	1	MF43E	Overlay Kit	
Photo TV Cue Card Kit	1	MF43E		
PHOTO/TV C/L	1	MF43E	FD Stowage Bag 1	Pocket B
PHOTO/TV C/L	1	MF43E		
PI Detailed Timeline Cue Card	1	CARRY-ON	Middeck	
PLBD VTR Recording Cue Card	1	CARRY-ON	MS2	
PLT Overhead Flip Book	1	CARRY-ON	PLT	
PLT Window Flip Book	1	CARRY-ON	PLT	
POST INSERTION	1	CARRY-ON	MS2	
POST INSERTION	1	CARRY-ON	MS3	
POST INSERTION	1	C4F		
POST INSERTION	1	R3F		
Post-It Notes (1.5 x 2)	1	MF43C	FDF Accessory Kit 2	
Post-It Notes (3 x 3)	1	MF43C	FDF Accessory Kit 2	

06/03/09

FS 3-15

REF/127/FIN

**LAUNCH CONFIG – ALPHABETICAL (Cont)**

ITEM NAME	QTY	STOWAGE LOCATION		
Post-It Notes (3 x 5)	1	MF43C	FDF Accessory Kit 2	
Post-It Tape Tabs	6	MF43C	FDF Accessory Kit 2	
Power Cue Card	1	CARRY-ON	PLT	Ascent Cards
RCS Burn (+X, -X, Multi-axis) Rendezvous Prplt Pad Cue Card	2	R3A	Data Card Kit	Orbit Data Cards
RCS Failure Response During Prox Ops RCS/DPS/EPS Failure Impacts Cue Card	2	MF43E	RNDZ Cue Card Kit	
Recumbent Seat Kit (RSK) Installation Cue Card	1	MF43E	Middeck Cue Card Kit	
REF	1	MF43E	FD Stowage Bag 2	Pocket A
Resuscitator Cue Card	1	MED SOMS Kit		
RNDZ	1	MF43E		
RNDZ	1	MF43E		
RNDZ	1	MF43E		
RNDZ	1	MF43E		
RNDZ	1	MF43E		
RNDZ	1	MF43E		
RNDZ Cue Card Kit	1	MF43E		
RNDZ Overlay Kit	1	MF43E	RNDZ Cue Card Kit	
Rubber Band Kit	1	C4A	FDF Accessory Kit 1	
Sharpie, Fine Point, Black	1	C4A	FDF Accessory Kit 1	
Sharpie, Fine Point, Black	1	MF43C	FDF Accessory Kit 2	
Sharpie, Fine Point, Blue	1	MF43C	FDF Accessory Kit 2	
Sharpie, Fine Point, Red	1	MF43C	FDF Accessory Kit 2	

06/03/09

FS 3-16

REF/127/FIN



**LAUNCH CONFIG – ALPHABETICAL (Cont)**

ITEM NAME	QTY	STOWAGE LOCATION		
Speed Brake Command Cue Card	1	CARRY-ON	CDR	Ascent Cards
Speed Brake Command Cue Card	1	CARRY-ON	PLT	Ascent Cards
Star Chart	1	C4A		
Stopwatch RDOT Conversion Cue Card	1	MF43E	RNDZ Cue Card Kit	
STS-127 Consumables Cue Card	1	MF43E	Middeck Cue Card Kit	
STS-127 Consumables Tracking Cue Card	1	ISS EVA Ziplock		
STS-127 DAP Configuration Cue Card	1	R3A	Data Card Kit	Orbit Data Cards
STS-127 Deorbit Prep Plan Morning of D/O Cue Card	1	MF43E	MS1 Cue Card Kit	
STS-127 EVA Battery Recharge Plan Cue Card	1	ISS EVA Ziplock		
STS-127 Overview PI Cue Card	1	CARRY-ON	Middeck	
Suit Doff Cue Card	1	CARRY-ON	Middeck	
Suit Up Plan/Post D/O Burn Actions/Strap-In Checklist	1	MF43E	MS1 Cue Card Kit	
STS-127 Emergency Deorbit Plan Cue Card				
Switch Caps	10	C4A	FDF Accessory Kit 1	
Switch Caps	10	MF43C	FDF Accessory Kit 2	
SYS AOA	1	CARRY-ON	MS2	
SYS AOA	1	C4F		
SYS AOA	1	R3F		
Tape Dispenser w/Tape	1	MF43C	FDF Accessory Kit 2	
Tether-Short (12)"	16	MF43C	FDF Accessory Kit 2	
Thumbdrive	7	MF43C	Disk Sleeve Unit	
Transparent Tape	1	MF43C	FDF Accessory Kit 2	

06/03/09

FS 3-17

REF/127/FIN

**LAUNCH CONFIG – ALPHABETICAL (Cont)**

ITEM NAME	QTY	STOWAGE LOCATION		
TV Cue Card	1	CARRY-ON	MS2	
Ultrabay Adapter	1	MF43C		
Unbal Prop D/O Burn Unbal Prop D/O Burn (Mxd Xfd) Cue Card	1	R3A	Data Card Kit	D/O & Entry Data Cards / CDR Pouch
Unbal Prop D/O Burn Unbal Prop D/O Burn (Mxd Xfd) Cue Card	1	R3A	Data Card Kit	D/O & Entry Data Cards / PLT Pouch
Urine Collection (w/o UMS) Cont Waste Collection – UCD/Apollo Bag Cue Card	1	CARRY-ON	Middeck	
Urine Pretreat Changeout Urine Pretreat Setup Cue Card	1	CARRY-ON	Middeck	
V10 Monitor Corridor Cue Card	1	MF43E	RNDZ Cue Card Kit	RNDZ Overlay Kit
Velcro, Hook (Yellow 2 x 2)	5	C4A	FDF Accessory Kit 1	
Velcro, Hook (Yellow 2 x 2)	15	MF43C	FDF Accessory Kit 2	
Velcro, Pile (Yellow 2 x 2)	5	C4A	FDF Accessory Kit 1	
Velcro, Pile (Yellow 2 x 2)	15	MF43C	FDF Accessory Kit 2	
Video Setup Cue Card	1	CARRY-ON	Middeck	
Wedge	1	CARRY-ON	CDR	Wedge
Wedge	1	CARRY-ON	PLT	Wedge
WVS Cue Card	1	MF43E	Photo TV Cue Card Kit	
Yellow Dots	1	C4A	FDF Accessory Kit 1	
Yellow Dots	1	MF43C	FDF Accessory Kit 2	
Yellow Tape	1	MF43C	FDF Accessory Kit 2	

06/03/09

FS 3-18

REF/127/FIN

**LAUNCH CONFIG – ALPHABETICAL (Cont)**

<b>ITEM NAME</b>	<b>QTY</b>	<b>STOWAGE LOCATION</b>		
ZZA TAL Redesignation ECAL-ZZA or MRN or FMI Prime TAL Cue Card	1	CARRY-ON	MS1	
ZZA TAL Redesignation ECAL-ZZA or MRN or FMI Prime TAL Cue Card	1	CARRY-ON	MS2	

06/03/09

FS 3-19

REF/127/FIN



This Page Intentionally Blank



FS 3-20

REF/127/FIN



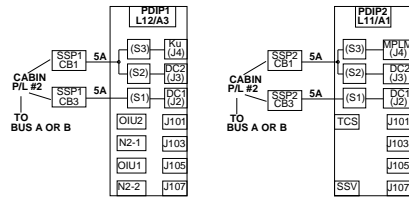
UTILITY OUTLET PLUG-IN PLAN

PWR: PANEL REFERENCE	
FLT DECK.....	FS 4-2
MIDDECK.....	FS 4-3
PWR/DATA/VIDEO: PRE-ROUTED CONFIG	
FLT DECK.....	FS 4-4
MIDDECK.....	FS 4-5
PWR/DATA/VIDEO: ASCENT CONFIG	
FLT DECK.....	FS 4-6
MIDDECK.....	FS 4-7
PWR/DATA/VIDEO: ENTRY CONFIG	
FLT DECK.....	FS 4-8
MIDDECK.....	FS 4-9
PWR: ON-ORBIT CONFIG	
FLT DECK.....	FS 4-10
MIDDECK.....	FS 4-11
PWR: CREW RESCUE COOLING CONFIG	
FLT DECK.....	FS 4-12
MIDDECK.....	FS 4-13

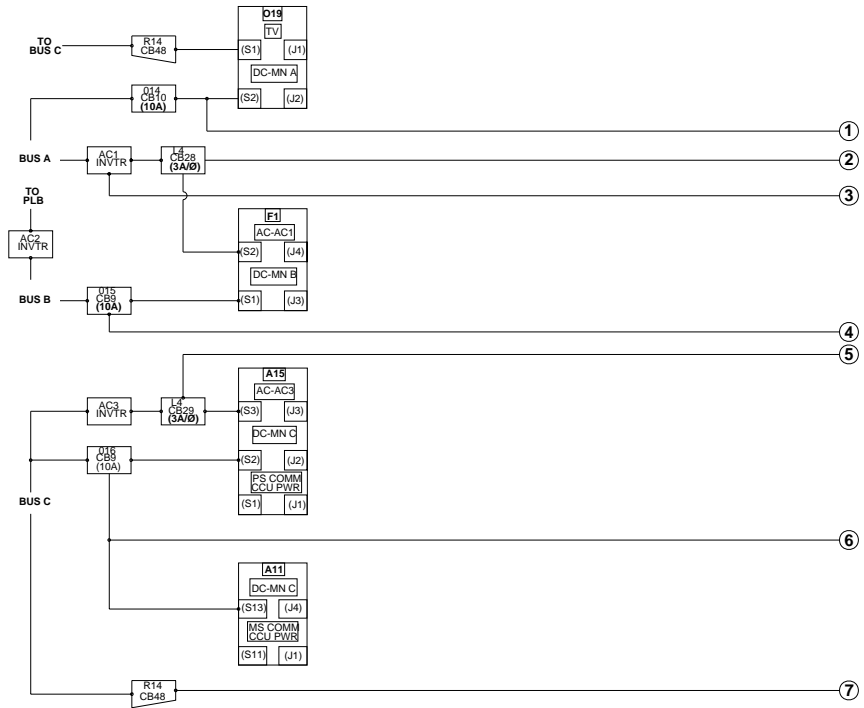
UTIL  
PWR

# PWR: PANEL REFERENCE – FLT DECK

REV B  
05/12/09

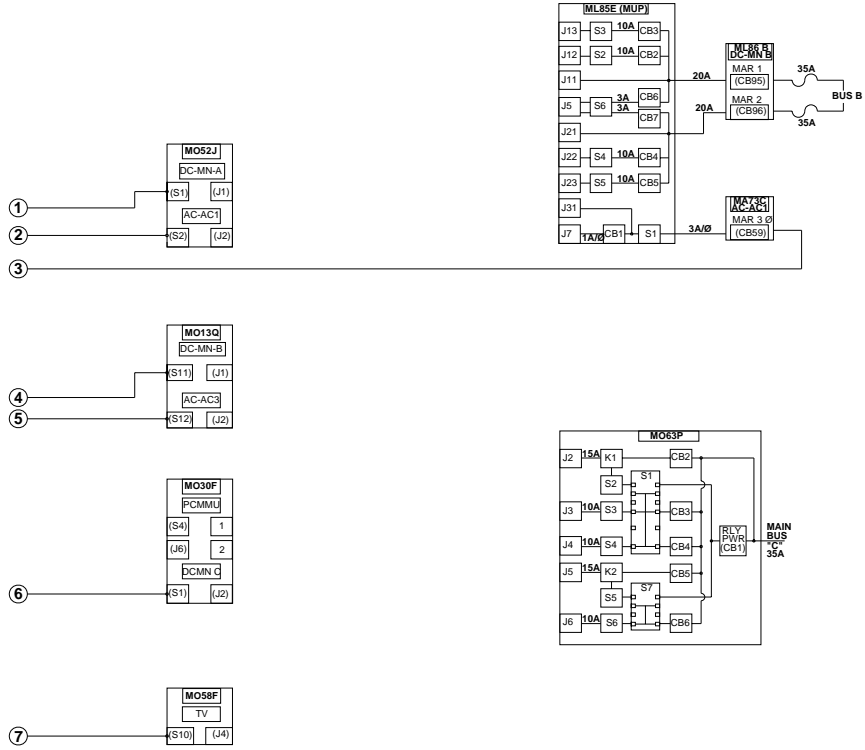


UTIL  
PWR



# PWR: PANEL REFERENCE – MIDDECK

REV B  
05/12/09

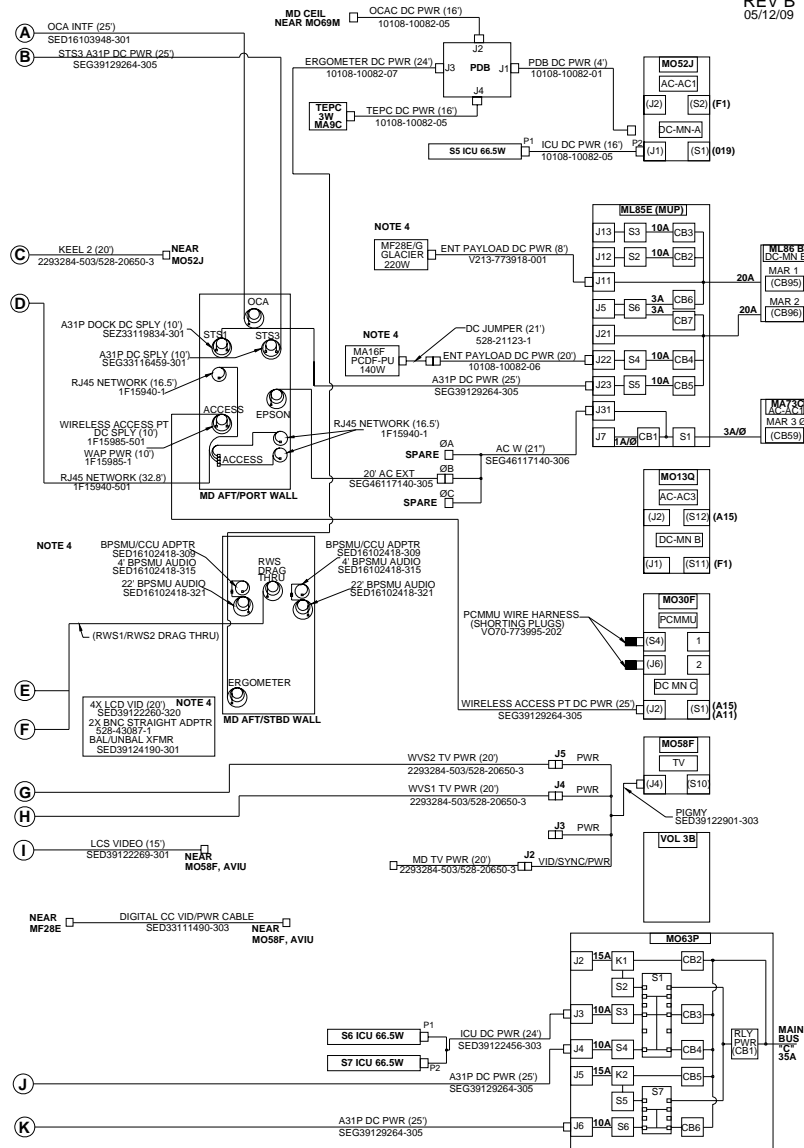






# PWR/DATA/VIDEO: PRE-ROUTED CONFIG – MIDDECK

REV B  
05/12/09

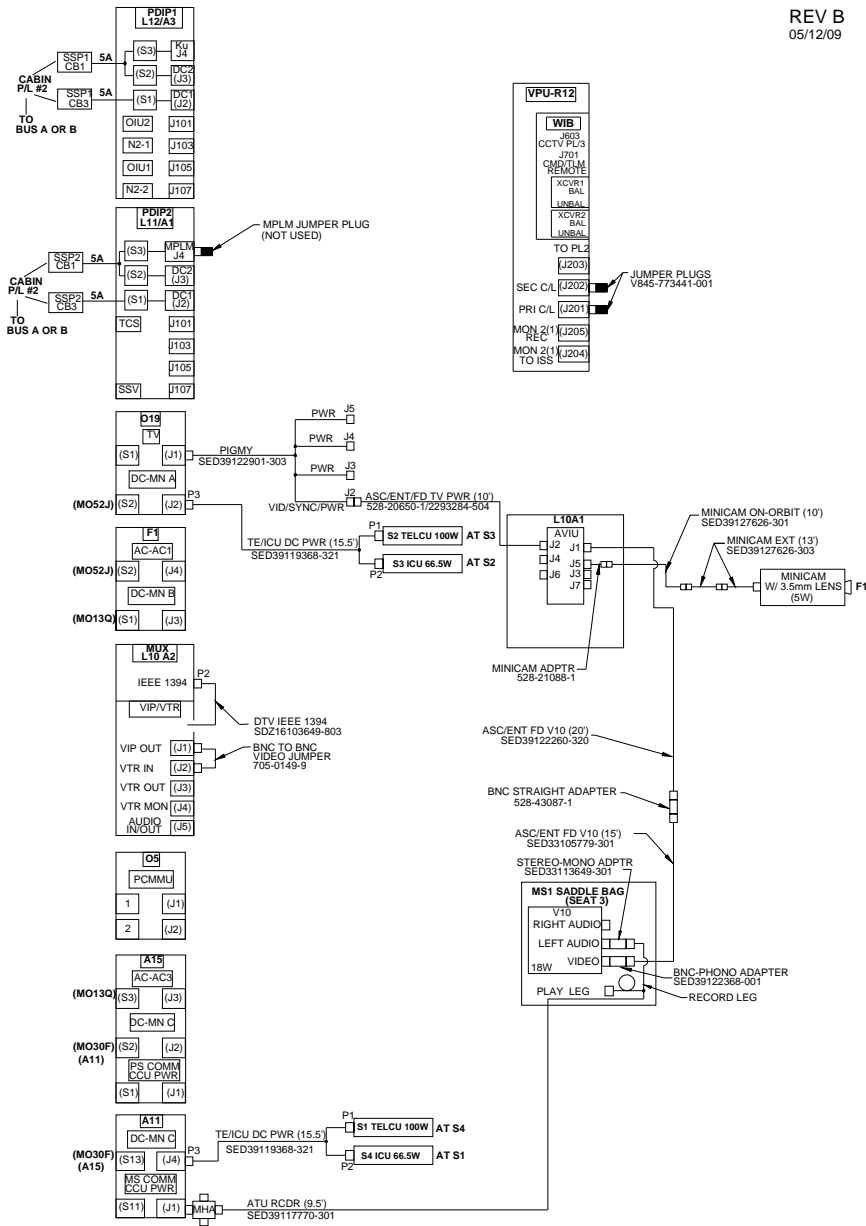


**NOTE:**

1. GREEN JUMPER INSERTED AT VPU LDR/ITVC CONNECTOR
2. NO PHYSICAL CONNECTION BETWEEN WLES CABLES AND CABIN RELAY UNIT (CRU)
3. MPLM JUMPER PLUG (NOT USED)
4. POWERED PAYLOADS, BPSMU, PCS, DRAG THRU CABLES AND ERGOMETER WILL NOT BE FLOWN ON LON. ALL ASSOCIATED CABLES WILL BE REMOVED FROM THE FLIGHT.
5. OCA HAS ADDITIONAL CONNECTIONS AT DTV (P3 & P4)
6. PILOT RHC & MPC WILL TIMESHARE AT O19 (J2)

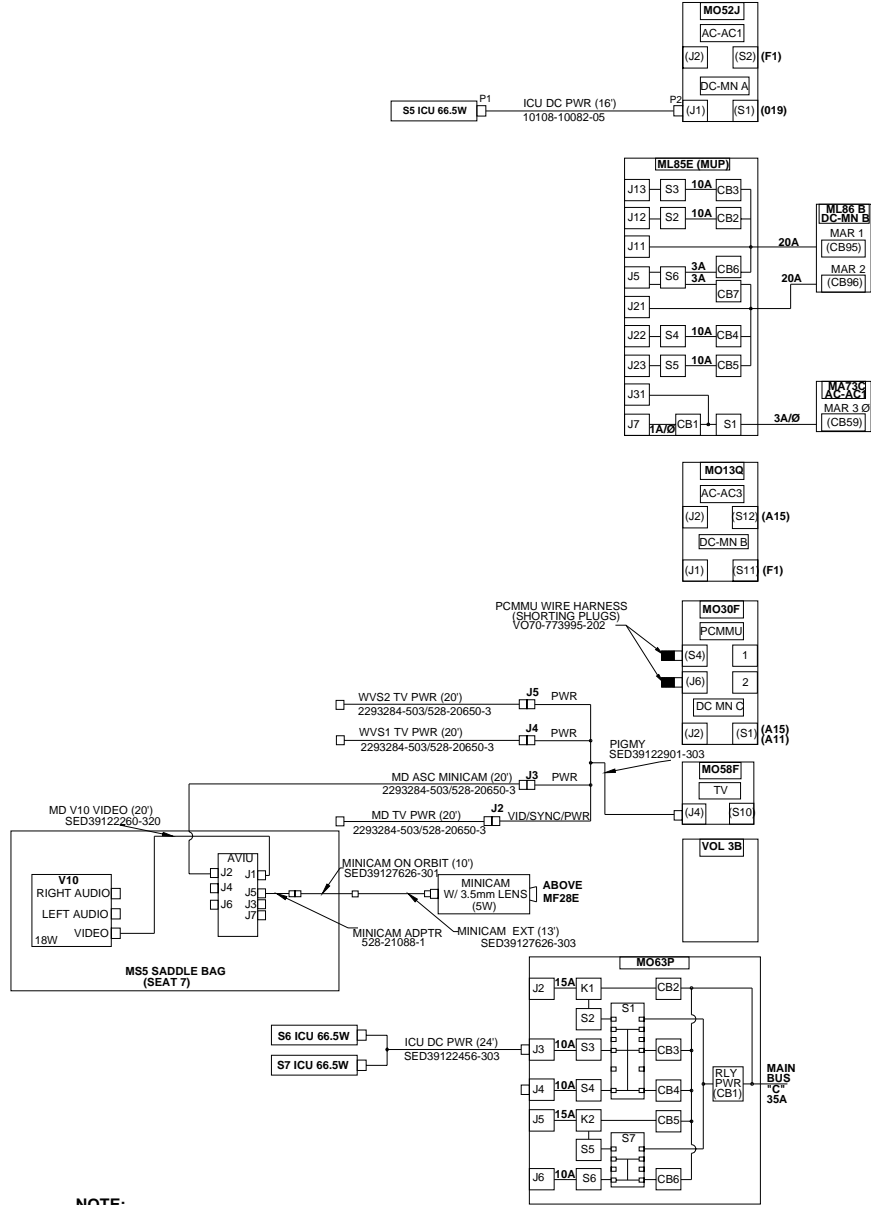
# PWR/DATA/VIDEO: ASCENT CONFIG – FLT DECK

REV B  
05/12/09



# PWR/DATA/VIDEO: ASCENT CONFIG – MIDDECK

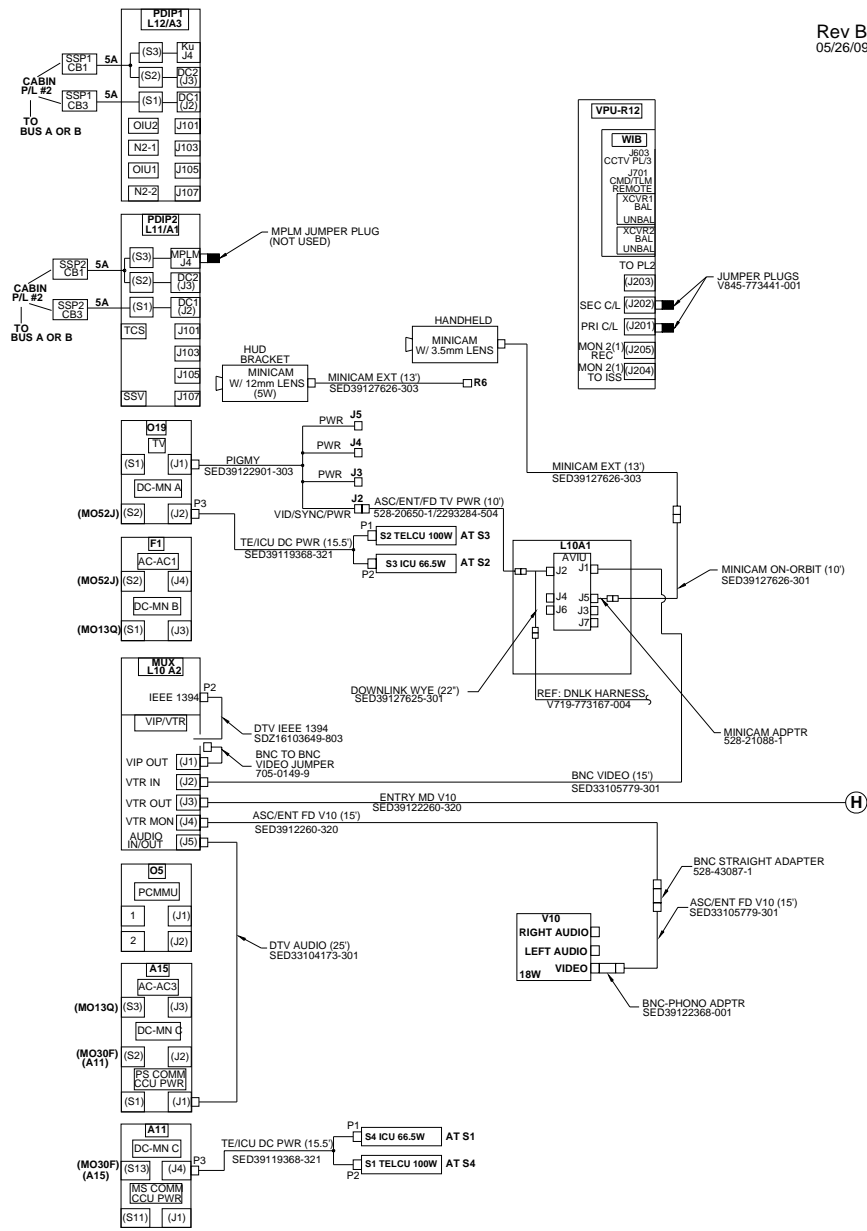
REV B  
05/12/09



**NOTE:**  
1. POWERED PAYLOADS WILL NOT BE FLOWN ON LON FLIGHTS. ALL ASSOCIATED CABLES WILL BE REMOVED FROM THE FLIGHT.

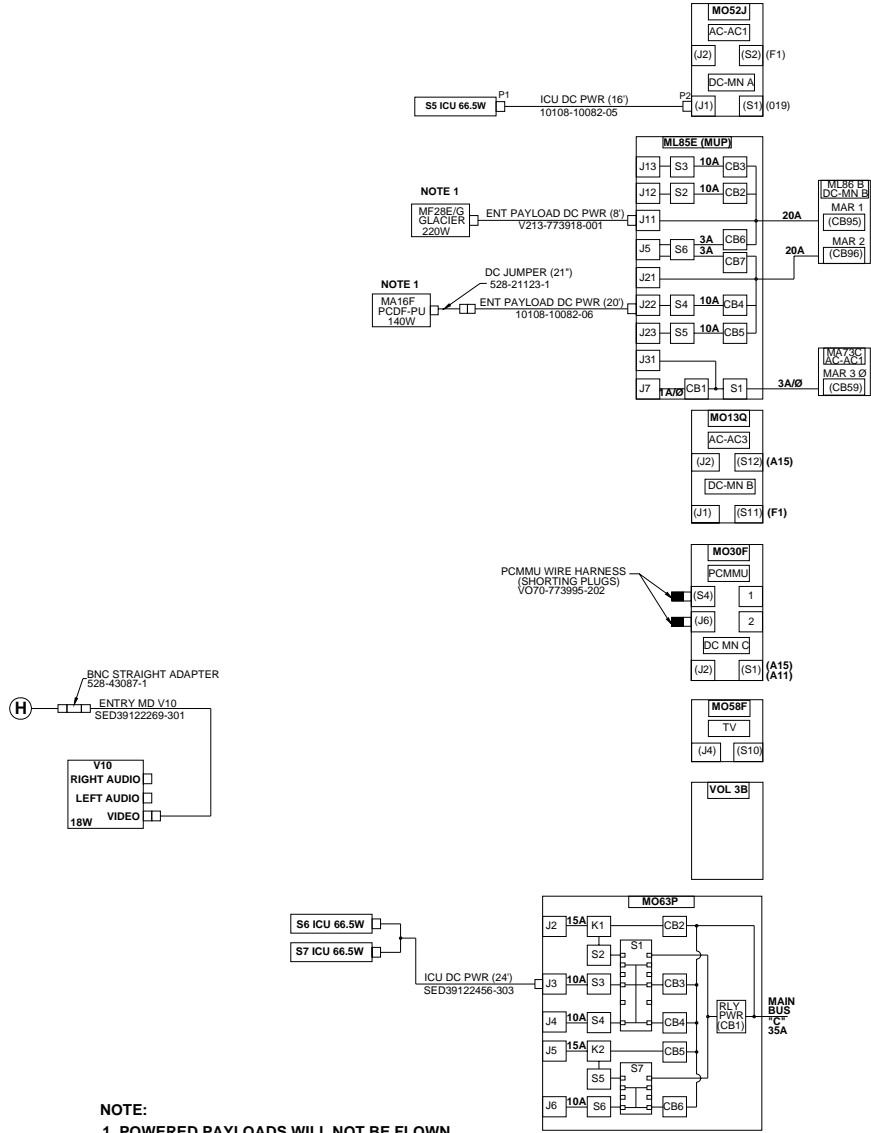
# PWR/DATA/VIDEO: ENTRY CONFIG – FLT DECK

Rev B  
05/26/09



# PWR/DATA/VIDEO: ENTRY CONFIG – MIDDECK

Rev B  
05/26/09

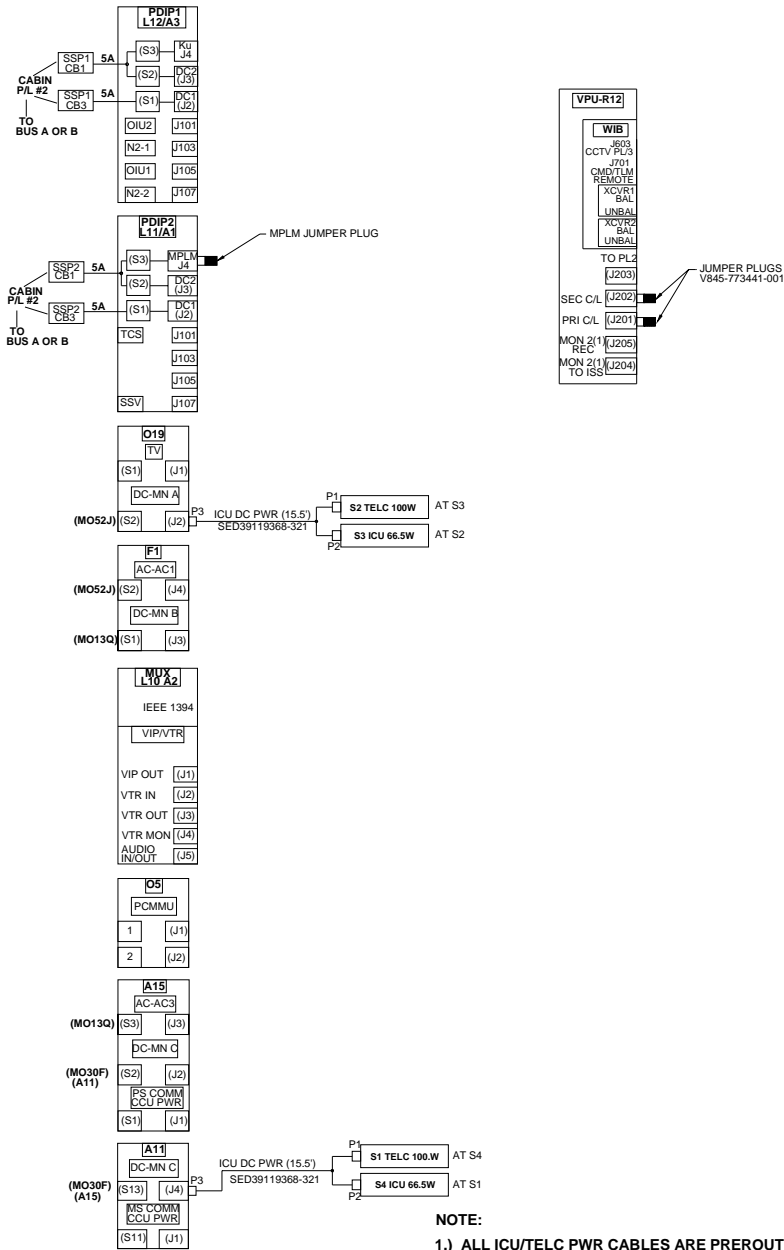






# PWR: CREW RESCUE COOLING CONFIG – FLT DECK

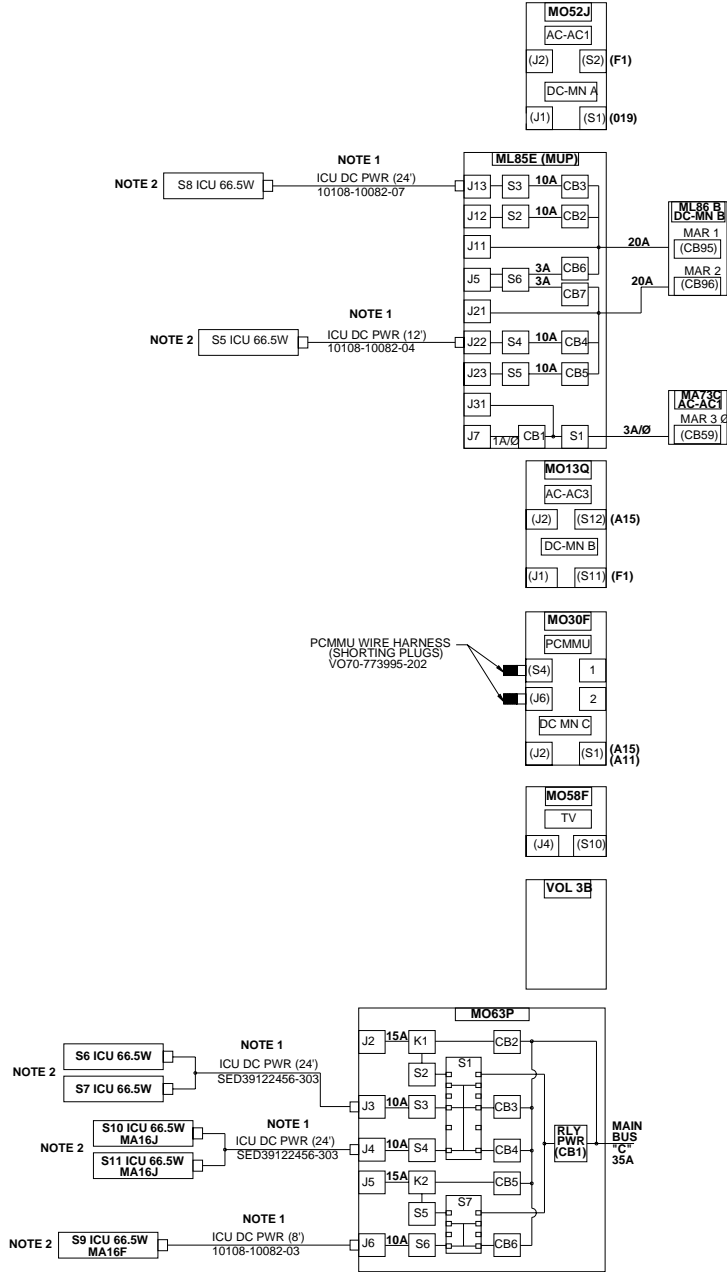
REV B  
05/12/09





# PWR: CREW RESCUE COOLING CONFIG – MIDDECK

REV B  
05/12/09





This Page Intentionally Blank



PLB FLOODLIGHT CONSTRAINTS

PAYLOAD BAY FLOODLIGHT CONSTRAINTS ..... FS 5-2

PLB  
FLOODLT

FS 5-1

REF/127/FIN

**PLB  
FLOODLT**

**PAYLOAD BAY FLOODLIGHT CONSTRAINTS**

GENERIC	STS-127
<ul style="list-style-type: none"> <li>• STARTUP &lt; 5 min, otherwise remove pwr</li> <li>• ON &gt; 10 min (includes STARTUP)</li> <li>• OFF &gt; 10 min (unblocked)</li> <li>• OFF &gt; 16 min (blocked)</li> </ul>	<p><b>JEF (JEM-EF) MODULE IN PLB</b></p> <p>FWD STBD LIGHTS</p> <ul style="list-style-type: none"> <li>• Generic constraints apply</li> </ul> <p>FWD PORT LIGHTS</p> <ul style="list-style-type: none"> <li>• When orbiter is not in Bay-to-Sun attitude, max 205 min ON, followed by 60 min OFF</li> <li>• When orbiter is in Bay-to-Sun attitude, max 77 ON, followed by 62 min OFF</li> </ul> <p>MID PORT AND STBD LIGHTS</p> <ul style="list-style-type: none"> <li>• Generic constraints apply</li> </ul> <p><b>JEF (JEM-EF) MODULE NOT IN PLB</b></p> <p><b>FWD PORT AND STBD LIGHTS</b></p> <ul style="list-style-type: none"> <li>• Generic constraints apply</li> </ul> <p>MID PORT AND STBD LIGHTS</p> <ul style="list-style-type: none"> <li>• Generic constraints apply</li> </ul> <p><b>ICC-VLD in PLB in the LAUNCH CONFIG (LDU, PM, &amp; SGANT installed)</b></p> <p>AFT PORT AND STBD LIGHTS</p> <ul style="list-style-type: none"> <li>• Constrained OFF at all times</li> </ul> <p><b>ICC-VLD not PLB or in the RTN CONFIG (LDU, PM, &amp; SGANT removed)</b></p> <p>AFT PORT AND STBD LIGHTS</p> <ul style="list-style-type: none"> <li>• Generic constraints apply</li> </ul>

05/13/09

FS 5-2

REF/127/FIN

ENTRY STOWAGE

FLIGHTS WITH RETENTION NET..... FS 6-2

**ENTRY  
STOW**

FS 6-1

REF/127/FIN

## **FLIGHTS WITH RETENTION NET**

### **AIRLOCK CONFIGURATION**

1. Stow clothing and soft goods in airlock in mesh bag or jettison stowage bag
2. Tie bags to standoffs on handrails or EVA attachment point
3. Avoid using standoffs on handrail just inside inner hatch (bags may snag on opening mechanism during ground retrieval)
4. Attempt to tape bags to floor or wall to prevent settling on EMUs or hatches

### **RETENTION NET CONFIGURATION**

1. Configure sleeping bags in two flat stacks (4 top, 3 bottom)
2. Verify retention net in forward position
3. Return to Houston bag(s) behind retention net should contain only:
  - Ascent FDF
  - Digital Video Tapes
  - Crew Shirts
4. Restrain RTH Bag(s) to floor using seat restraint and Gray Tape as necessary

### **ITEMS/NOTES**

1. Stow the following items:
  - Water Samples and ACTEX Purge Bags in Fresh Food Locker (MF14E)
2. Stow used disposable batteries in double-wrap Ziplock Bags away from heat source. Recommend Fresh Food Locker (MF14E)

**ENTRY  
STOW**

### **MISSION SPECIFIC ITEMS/NOTES**

1. Laundry not stowed in Volume B should be divided into two stowage locations – half in Airlock and half behind Retention Net



CUE CARD CONFIGURATION

**CUE  
CARDS**



FAB USE ONLY

FS 7-1

REF/127/FIN



**CUE CARDS**

FAB USE ONLY

(reduced copy)

FS CC 7-2

REF/127/FIN

TOP

DISINFECTANT WIPES (20/pkg) (4/cm/day)	WMC (pkg) 3 2 1	VOL B (MA4D) (pkg) 7 6 5 4 3 2 1	MFS7H (pkg) 1	ML50E (pkg) 1
DRY WIPES (24/pkg) (20/cm/day)	WMC (pkg) 29 28 27 26 25 24 23 22 21 20 19 18 17 16 15 14 13 12 11 10 9 8 7 6 5 4 3 2 1	VOL B (MA4D) (pkg) 64 63 62 61 60 59 58 57 56 55 54 53 52 51 50 49 48 47 46 45 44 43 42 41 40 39 38 37 36 35 34 33 32 31 30 29 28 27 26 25 24 23 22 21 20 19 18 17 16 15 14 13 12 11 10 9 8 7 6 5 4 3 2 1		
ELBOW BAGS	WMC 16 15 14 13 12 11 10 9 8 7 6 5 4 3 2 1	VOL B (MA4D) 18 17 16 15 14 13 12 11 10 9 8 7 6 5 4 3 2 1		
EMESIS BAGS	WMC 7 6 5 4 3 2 1	VOL B (MA4D) 13 12 11 10 9 8 7 6 5 4 3 2 1		
GLOVES (50/pkg) (2/cm/day)	WMC (pkg) 2 1	VOL B (MA4D) (pkg) 3 2 1		
GLOVES (50/pkg) (2/cm/day) SHOULDER LENGTH	VOL B (MA4D) (pkg) 1	VOL G (MD80R) (pkg) 1		
PREFILTERS, CONICAL	WMC 20 19 18 17 16 15 14 13 12 11 10 9 8 7 6 5 4 3 2 1	VOL B (MA4D) 20 19 18 17 16 15 14 13 12 11 10 9 8 7 6 5 4 3 2 1		
TOWELS (half/cm/day)	WMC 30 29 28 27 26 25 24 23 22 21 20 19 18 17 16 15 14 13 12 11 10 9 8 7 6 5 4 3 2 1	MD Bag E (Port 1) 24 23 22 21 20 19 18 17 16 15 14 13 12 11 10 9 8 7 6 5 4 3 2 1		
TRASH BAGS (full/cm/day) (10/pkg)	WMC (pkg) 10 9 8 7 6 5 4 3 2 1	VOL B (MA4D) (pkg) 16 15 14 13 12 11 10 9 8 7 6 5 4 3 2 1		
WASHCLOTHS (1/cm/day)	WMC 30 29 28 27 26 25 24 23 22 21 20 19 18 17 16 15 14 13 12 11 10 9 8 7 6 5 4 3 2 1	MD Bag E (Port 1) 100 99 98 97 96 95 94 93 92 91 90 89 88 87 86 85 84 83 82 81 80 79 78 77 76 75 74 73 72 71 70 69 68 67 66 65 64 63 62 61 60 59 58 57 56 55 54 53 52 51 50 49 48 47 46 45 44 43 42 41 40 39 38 37 36 35 34 33 32 31 30 29 28 27 26 25 24 23 22 21 20 19 18 17 16 15 14 13 12 11 10 9 8 7 6 5 4 3 2 1		
WET WASHES (4/pkg) (17/cm/day for Hygiene)	WMC (pkg) 6 5 4 3 2 1	VOL B (MA4D) (pkg) 50 49 48 47 46 45 44 43 42 41 40 39 38 37 36 35 34 33 32 31 30 29 28 27 26 25 24 23 22 21 20 19 18 17 16 15 14 13 12 11 10 9 8 7 6 5 4 3 2 1		

REF-1a/127/O/A

**STS-127 CONSUMABLES**





REF-1b/127/O/A

TOP  
BACK OF 'STS-127 CONSUMABLES'

HOOK  
VELCRO



FAB USE ONLY

(reduced copy)  
FS CC 7-3

REF/127/FIN



This Page Intentionally Blank



FAB USE ONLY

FS 7-4

REF/127/FIN



Space Shuttle Program  
FLIGHT DATA FILE

JSC-48042-127  
FINAL



**REFERENCE  
DATA**

**STS  
127**

Flight Cover (trim bottom to expose tabs)