

Reference Data

STS-130 Flight Supplement

**Mission Operations Directorate
Operations Division**

**Final
January 27, 2010**

National Aeronautics and
Space Administration

Lyndon B. Johnson Space Center
Houston, Texas

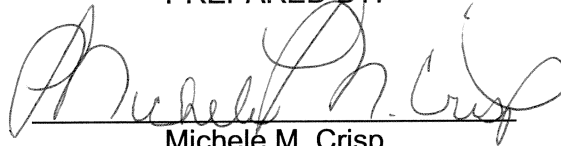


MISSION OPERATIONS DIRECTORATE

**REFERENCE DATA
STS-130 FLIGHT SUPPLEMENT**

FINAL
January 27, 2010

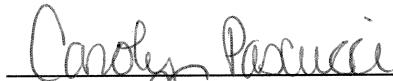
PREPARED BY:



Michele M. Crisp
Publication Manager

APPROVED BY:

ACCEPTED BY:



Manager,
Flight Procedures



FDF Manager

This document is under the configuration control of the Crew Procedures Control Board (CPCB). All proposed changes must be submitted via Change Request Workflow (CRW) to DO3/FDF Manager.

Additional distribution of this book, for official use only, may be requested in writing to DO3/PMO Administrator. The request must include justification and requester's name, organization, position, and phone number. Contractor requests are made through the NASA or DOD organization supported. Deletions, reduction in quantity, or change of address may be submitted to DO3/FDF Management Office, 281-244-1184.

Incorporates the following:
482#: REF_FS-00055

AREAS OF TECHNICAL RESPONSIBILITY

Publication Manager	DO35/M. Crisp	281-483-5975
Alternate Publication Manager	DO35/L. Giles	281-244-9068

REFERENCE DATA
STS-130 FLIGHT SUPPLEMENT

LIST OF EFFECTIVE PAGES

FINAL 01/27/10

Sign Off	*	130/FIN	FS 2-11	130/FIN
FS ii	*	130/FIN	FS 2-12	130/FIN
FS iii	*	130/FIN	FS 2-13	130/FIN
FS iv	*	130/FIN	FS 2-14	130/FIN
FS v	*	130/FIN	FS 2-15	130/FIN
FS vi	*	130/FIN	FS 2-16	130/FIN
FS 1-1		130/FIN	FS 2-17	130/FIN
FS 1-2		130/FIN	FS 2-18	130/FIN
FS 1-3		130/FIN	FS 2-19	130/FIN
FS 1-4		130/FIN	FS 2-20	130/FIN
FS 1-5		130/FIN	FS 2-21	130/FIN
FS 1-6		130/FIN	FS 2-22	130/FIN
FS 1-7		130/FIN	FS 2-23	130/FIN
FS 1-8		130/FIN	FS 2-24	130/FIN
FS 1-9		130/FIN	FS 2-25	130/FIN
FS 1-10		130/FIN	FS 2-26	130/FIN
FS 1-11		130/FIN	FS 2-27	130/FIN
FS 1-12		130/FIN	FS 2-28	130/FIN
FS 1-13		130/FIN	FS 3-1	130/FIN
FS 1-14		130/FIN	FS 3-2	130/FIN
FS 1-15		130/FIN	FS 3-3	130/FIN
FS 1-16		130/FIN	FS 3-4	130/FIN
FS 2-1		130/FIN	FS 3-5	130/FIN
FS 2-2		130/FIN	FS 3-6	130/FIN
FS 2-3		130/FIN	FS 3-7	130/FIN
FS 2-4		130/FIN	FS 3-8	130/FIN
FS 2-5		130/FIN	FS 3-9	130/FIN
FS 2-6		130/FIN	FS 3-10	130/FIN
FS 2-7		130/FIN	FS 3-11	130/FIN
FS 2-8		130/FIN	FS 3-12	130/FIN
FS 2-9		130/FIN		
FS 2-10		130/FIN		

* – Omit from flight book

FS 3-13	130/FIN	FS 4-9	130/FIN
FS 3-14	130/FIN	FS 4-10	130/FIN
FS 3-15	130/FIN	FS 4-11	130/FIN
FS 3-16	130/FIN	FS 4-12	130/FIN
FS 3-17	130/FIN	FS 4-13	130/FIN
FS 3-18	130/FIN	FS 4-14	130/FIN
FS 3-19	130/FIN	FS 5-1	130/FIN
FS 3-20	130/FIN	FS 5-2	130/FIN
FS 4-1	130/FIN	FS 6-1	130/FIN
FS 4-2	130/FIN	FS 6-2	130/FIN
FS 4-3	130/FIN	FS 7-1	* 130/FIN
FS 4-4	130/FIN	FS CC 7-2	* 130/FIN
FS 4-5	130/FIN	FS CC 7-3	* 130/FIN
FS 4-6	130/FIN	FS 7-4	* 130/FIN
FS 4-7	130/FIN		
FS 4-8	130/FIN		

REF DATA CUE CARDS

<u>Title</u>	<u>Ref. Page</u>	<u>Card No.</u>
STS-130 CONSUMABLES		
(Front).....	FS CC 7-2	REF-1a/130/O/A
(Back).....	FS CC 7-3	REF-1b/130/O/A

* – Omit from flight book

<u>CONTENTS</u>	<u>PAGE</u>
<u>LOCKER STOWAGE</u>	FS 1-1
STS-130 FLT DECK STOWAGE	FS 1-2
MIDDECK STOWAGE	FS 1-4
LIGHTWEIGHT MAR	FS 1-13
CONSUMABLES.....	FS 1-14
 <u>ALPHABETICAL STOWAGE</u>	 FS 2-1
 <u>FDf DOCUMENTATION STOWAGE</u>	 FS 3-1
LAUNCH CONFIG – LOCKER.....	FS 3-2
– ALPHABETICAL.....	FS 3-3
 <u>UTILITY OUTLET PLUG-IN PLAN</u>	 FS 4-1
PWR: PANEL REFERENCE	
FLT DECK	FS 4-2
MIDDECK.....	FS 4-3
PWR/DATA/VIDEO: PRE-ROUTED CONFIG	
FLT DECK	FS 4-4
MIDDECK.....	FS 4-5
PWR/DATA/VIDEO: ASCENT CONFIG	
FLT DECK	FS 4-6
MIDDECK.....	FS 4-7
PWR/DATA/VIDEO: ENTRY CONFIG	
FLT DECK	FS 4-8
MIDDECK.....	FS 4-9
PWR: ON-ORBIT CONFIG	
FLT DECK	FS 4-10
MIDDECK.....	FS 4-11
PWR: CREW RESCUE COOLING CONFIG	
FLT DECK	FS 4-12
MIDDECK.....	FS 4-13
 <u>PLB FLOODLIGHT CONSTRAINTS</u>	 FS 5-1
PAYLOAD BAY FLOODLIGHT CONSTRAINTS	FS 5-2
 <u>ENTRY STOWAGE</u>	 FS 6-1
FLIGHTS WITH RETENTION NET	FS 6-2
 <u>CUE CARD CONFIGURATION</u>	 FS 7-1



This Page Intentionally Blank



LOCKER STOWAGE

STS-130 FLT DECK STOWAGE	FS 1-2
MIDDECK STOWAGE	FS 1-4
LIGHTWEIGHT MAR	FS 1-13
CONSUMABLES	FS 1-14

LOCKER

LOCKER

STS-130 FLT DECK STOWAGE

C4A

FDF

C4F

FDF

R3A

FDF

R3F

FDF

L10 UPPER

AVIU
Cable, Digital CC to Video Pwr, 15 ft
Cable, DTV IEEE 1394 4-Pin to Female
Cable, DTV IEEE 1394 4-Pin to Male
Cable, MPC to DTV Mux, 3 ft
Cable, MPC to DTV Mux, 9 ft
Cable, PPOV Teac Wye (Prerouted)
MPC
Pwr Supply, MPC
Tape, Digital Video (171)
Tape, Sony Video (14)
VPU Plug, Green

L10 LOWER

Cable, 12VDC Circular to XLR
Cable, Balanced Video
Cable, BNC to BNC (4)
Cable, BNC to RCA (3)
Cable, DTV IEEE 1394 4-Pin to Male
Cable, VIP ATU I/F
Cable, VIP Pwr
DTV MUX
VIP
VTR (w/Tape installed)

L11

OIU
PDIP 2

L12

PDIP 1
SSP-1/SSP-2

R12

OBSS/OPP
VPU

A16

Bag, Camera

Adapter, Flash Card (4)
Batt Door (Spare)
Cable, Shutter Release w/Extension
Card, DCS 760 (7)
Cleaning Solution
Cover, Eyepiece
Dry Wipe (2)
Flash/Diffuser
Lens, 10.5mm
Lens, 17-35mm
Lens, 24-50mm (2)
Lens, 28-70mm
Lens, 28mm
Lens, 35mm w/Filter
Lens, 80-200mm
Thermal Blanket, EVA
Bracket, Multiuse (2)
Cable, PGSC DC Pwr, 10 ft
Cable, PGSC DC Pwr, 6 ft
Clamp, Multiuse (2)
Computer Desk, Inflight (2)
Leg Bar, FRED
PILOT Hand Controller
Bungee (2)
Cable, PILOT RS-232 Pwr/Data Y
Tie Wrap (10)
Pwr Supply, DC

01/25/10

FS 1-2

REF/130/FIN

STS-130 FLT DECK STOWAGE (Cont)

A17

Bag, DTV Camcorder

Adapter, A31p Video
Adapter, BNC-T
BAL/UNBAL Transformer
Binoculars (2)
Bracket, HUD
Cable, AVIU CC
Cable, AVIU Video
Cable, Balanced Video
Cable, BNC Video (2)
Cable, BPSMU A/V Patch
Cable, IEEE 1394 4-Pin Firewire
Cable, IEEE 1394, 15 ft
Cable, IEEE 1394, Crew
Cable, Mini-Cam Extension
Cable, Mini-Cam On-Orbit
Cable, Mini-Cam/AVIU Adapter
Cable, Monitor to VIU/CM, 20 ft
Cable, PCMCIA to WIB-Remote
Cable, PD100 A/V Adapter
Cable, PPOV Teac Wye
Cable, RCA-RCA
Cable, VPU Patch
Camera, Mini-Cam (HUD Entry)
Converter, IVA 1394
Cover, Connector
Kit, DTV MUX Fuse
Tie Wrap (2)
VTR

A17

(Cont)

Bag, Core Camcorder

Adapter, BNC-RCA Phono (2)
Adapter, BNC-T
Adapter, RCA-BNC (2)
Batt Charger, Li-ION (2)
Batt, Li-ION (6)
Batt, Silver Oxide, 1.5V (2)
Bracket, Multiuse
Camcorder, Canon HG1 w/Tape
Coupler, TWINAX (2)
Headphones
Lens, Camcorder Wide Angle
Microphone, Camcorder
Remote, PD1 (2)
Tape, Digital Video (20)
Pry Bar, Window 8
Quick Don Mask (4)

01/25/10

FS 1-3

REF/130/FIN

STS-130 MIDDECK STOWAGE

FORWARD LOCKERS

MF14E

SODF

MF14G

EMCS TROPI (8 ea)

MF14H

Cable, Biomed (2)
Container, Sharps
Kit, Dosimeter
Kit, Electrode
Kit, Medical Accessory
Kit, Operational Bioinstrumentation
System
Restraint (4)
Saline (2)
Subpack, Airway
Subpack, Drug
Subpack, EENT
Subpack, IV Administration
Subpack, Saline Supply
Subpack, Trauma

MF14K

PWR

MF14M

Vacuum Cleaner

Bags (4)
Cable, DC Pwr, 20 ft
Tool, Cabin Fan Filter
Tool, Crevice
Tool, DDU Filter/Flex Modular
Tool, Flex Hose/Suction Hose
Tool, Hose Adapter

MF14O

Air Sample Bottle (2)
Bag, Chemical Resistant (2)
Breaker Bar (Pallet Removal)
Breakout Box
Duxseal
Extension, 4 in
Filter, Waste Water Dump
IFM Fastener Retainer Cushion
Kit, Foam Applicator (2)
Kit, RMS D&C IFM
Lubricant
Turnbuckle (3)

MF28E/G

GLACIER

MF28H

Food, Menu
Food, Menu

MF28K

Food, Menu
Food, Menu

MF28M

Food, Menu
Food, Menu

MF28O

Food, Menu
Food, Menu

01/25/10

FS 1-4

REF/130/FIN

STS-130 MIDDECK STOWAGE (Cont)

FORWARD LOCKERS (Cont)

MF43C
Desiccant, ABRS (2)
Filter, ABRS (5)
Kit, APEX-Cambium KSC Fixation Tube (KFT)
Kit, APEX-Cambium Water
Kit, Card Blood Sample Container
Kit, Cardio Lab (CDL) Holter Arterial BP Batt Kit (2)
Kit, TAGES Replant

MF43E
FDF

MF43G
Clothing, MS1
Clothing, MS1

MF43H
Food, Fresh
Food, Fresh

MF43K
Food, Fresh
Food, Menu

MF43M
Clothing, CDR
Clothing, CDR

MF43O
Empty

MF57A (VOL A)
Pantry Food
Accessories
Eating Utensils

MF57C
Adapter, Luer (PWD) (4)
Cartridge, N₂ (10)
EMCS TROPI (8 ea)
MYCO (8)
Tie Wrap (40)

MF57E
FDF | SODF

MF57G
Filter, Contingency Waste Water (CWWDF)
Tonopen
Food, Menu

MF57H
Food, Menu
Food, Menu

MF57K
GAP
Cylinder (16)
Hand Crank
Ziplock Bag (15)
Kit, Sample/Purge (Water Transfer)
Kit, Silver Biocide (Water Transfer)

STS-130 MIDDECK STOWAGE (Cont)

FORWARD LOCKERS (Cont)

MF57M

Condensate Collection

CWC (2)
Hose, Yellow-Yellow

CSA-CP

Batt Pack, CSA-CP (3)
Sampling Pump
Sampling Pump Filter
Zero Filter

Hose, SUPA (14)

Kit, Docking Mechanism Accessory

APAS Hatch Tool
Wipes, Seal
Kit, IMV O-Ring/Braycote
Towel (ISS Ingress)
Ziplock Bag, 36x36 (4)

MF57O

Empty

MF71C

Air Sample Bottle (3)
Case, CD Stowage
Cover, MWC (2)
Filter (QDM) (5)

MF71C

(Cont)
Harness, ECLSS Wire (3)
Hex Drive, 3/16 in (2)
Kit, Water (QDM)
O-Ring (31)
Socket, 3/8 in
Tether, Body Restraint
Tether, Waist

MF71E

CGBA

MF71G

Clothing, MS2
Clothing, MS2

MF71H

Bag, Headset Accessory
Bag, Inflight Stowage Restraint (9)
Bag, Jettison Stowage (5)
Bag, Menu Food Trash
Canister, WCS (Coffee Can)
Cover, HUD (2)
Cover, Parachute (6)

MF71H

(Cont)
Hose, Personal Hygiene
Hose, WCS Canister
Mirror, Personal Hygiene (2)
Shuttle Emergency Eyewash (SEE)/Drink
Bag
Switch Guard, GPC
Tape, Gray, 1 in
Tape, Gray, 2 in
Tie Wrap (20)
Wipes, Disinfectant (3 pkg)

MF71K

Actiwatches (3)
Bag, Helmet (2)
Bag, Jettison (4)
Bungee, Adjustable (7)
Chair, Nada
Kit, Comm

Cable, Comm, 4 ft
Cable, Comm, 14 ft
Microphone, Handheld
VLHS (2)

01/25/10

FS 1-6

REF/130/FIN

STS-130 MIDDECK STOWAGE (Cont)

FORWARD LOCKERS (Cont)

MF71K

(Cont)
Panel Cover, MA73C
PIP Pin
O2 Bleed Orifice
PIP Pin (12)
PIP Pin, Egress Pole (Spare)
Tape, Gray, 2 in
Tray, Meal
Ziplock Bag, 8x8 (20)
Ziplock Bag, 12x12 (8)
Ziplock Bag, 13x18 (5)
Ziplock Bag, 24x24 (2)
FRED

MF71M

Clothing, MS4
Clothing, MS4

MF71O

BAL/UNBAL Transformer
Batt Cap/Fuse (LIDAR)
Batt, AA
Batt, BPSMU (2)
Batt, LIDAR (2)
BPSMU (2)
Cable, BNC to BNC
Cable, BPSMU to CCU Adapter (2)
Cable, LIDAR I/F (2)
Cable, PGSC Pwr, 6 ft
Cable, SSV to PDIP/CIP (2)
Kit, SSV Fuse
LIDAR
LIDAR w/Nightscope
SSV Compression Encoder

01/25/10

FS 1-7

REF/130/FIN

STS-130 MIDDECK STOWAGE (Cont)

AFT LOCKERS

MA9D/F

Kit, Ammonia Detection
Kit, HRM (2)
Kit, Medical Accessory (MAK)
Kit, Mineral Syringe
Resuscitator
TRAD

MA9G

Cold Bag, RCC

MA9J

Cable, AC W
Cable, Parallel Data
Cable, Pwr, AC, 20 ft

Printer, Color

Cartridge, Black (2)
Cartridge, Color (2)
Paper (2)
Washcloth

MA9L

Tray, Color Printer (2)
ACTEX (2)
Adapter, "Dash 2"
Filter, Microbe (Spare)

01/25/10

MA9L

(Cont)
Hose, ACTEX
Hose, Filter Assy ("Monster Hose")
Hose, Red-Yellow/"Dash-2 Adapter"
Microbial Check Valve (MCV)

MA9N

Kit, Personal Hygiene (PHK) (6)
Community PHK
Kit, Contaminant Cleanup
Ziplock Bag, 24x24 in (6)
Ziplock Bag, 36x36 in (10)
Chem Light, Green (27)
Chem Light, Red (ACES Entry) (28)
Fiberscope Light Source
Fiberscope, Video
Kit, Fluid Loading (2)
Restraint, Foot Loop (Spare) (6)
Restraint, Seat (Spare) (2)

MA16D

IFM Tools (see IFM C/L)

MA16F

Clothing, MS3
Clothing, MS3

MA16G

Audio Dosimeter
Batt, AA (30)
Batt, D2XS Rechargeable (9)
Camera Bracket, Loc-Line Flex (2)
Camera, D2XS w/Card
COAS
Filter, NI-CR
Light Shade (2)
Worklight (2)

FS 1-8

REF/130/FIN

STS-130 MIDDECK STOWAGE (Cont)

AFT LOCKERS (Cont)

MA16J

CTB, Photo TV Stow-N-Go

AVIU (5)
Bracket, Base Multiuse
Bracket, Clamp Multiuse (3)
Bracket, Dual Camera
Bracket, Lockline Flex
Bracket, Multiuse (3)
Cable, AVIU Video (4)
Cable, Balanced Video (2)
Cable, Digital CC Video Pwr (4)
Cable, PCMCIA to WIB-Remote
Cable, VPU Patch
Camera, D2XS w/Card (2)
Computer Desk, Inflight (2)
Lens, Wide Conversion
PCMCIA RS-422 Card
Shutter Release (2)
VTR w/Tape (2)
Tape, Digital Video (26)

MA16N

Crew Support

MA16L

Clothing, PLT
Clothing, PLT

01/25/10

FS 1-9

REF/130/FIN

STS-130 MIDDECK STOWAGE (Cont)

WASTE MGMT COMPARTMENT

Bag, Emesis (7)
Prefilter, Conical (20)
Scraper Tool
Towels (36)
Urinal Funnel, Female Oblong
Urinal Funnel, Female Round
Urinal Funnel, Male (6)
Washcloths (32)
WCS Tool
Bag, Elbow (16)
Clothing, 1st Day (6)
Hose, SUPA
Trash Bag, WMC (Spare)
Dry Wipes, Multi-Purpose (29 pkg)
Gloves (2 pkg)
Trash Bag, Coffee Can (10 pkg)
Wet Wash ("Baby Wipes") (6 pkg)
Wipes, Disinfectant (3 pkg)

VOL B (MA4D)

Bag, Elbow (14)
Bag, Emesis (13)
Bag, Inflight Stowage (2)
Dry Wipes, Multi-Purpose (60 pkg)
Gloves (4 pkg)
Gloves, Shoulder Length (1 pkg)
Prefilter, Conical (20)
Towel (13)
Trash Bag, Coffee Can (8 pkg)

01/25/10

VOL B (MA4D)

(Cont)
Washcloth (56)
Wet Wash ("Baby Wipes") (34 pkg)
Wipes, Disinfectant (14 pkg)

VOL 3B (MA73J)

Batt, Li-ION
Camcorder, G1 w/Tape
Camera, D2XS w/4GB Card
Flash/Diffuser
Lens, 12-24mm
Lens, 400mm
Memory Card, 4GB
OCAC
Quick Don Mask (2)
Spotlight

VOL D (MD52C)

Batt, AA (6)
Coax Cable Torque Adapter (2)
Crack Repair Gun (Manual) w/Thermal
Cover (2)
Downlink Data Multiplexer
DTV VTR Pouch
EVA Camera Mount w/Thermal Blanket
EVA Camera Strap
EVA Thermal Sensor
EVA Wipes (5)
Flow Shut Off Valve (2)

FS 1-10

VOL D (MD52C)

(Cont)
Kit, Emittance Wash Applicator (2)
Modular MWS RH Swingarm
Palette (2)
RCC Crack Bag
RCC CRM Scraper, 2 in (4)
RCC CRM Scraper, 5 in (2)
RCC Leading Edge Special Wrench
Ruler and Protuberance Gauge
Tether Extension (2)
VIP
VTR, DSR-25

VOL E (MD76C)

OFK/PPK

VOL F (MD76M)

Trash Bag, Wet

VOL G (MD80R)

Bag, Apollo Fecal (40)
CUCD, Male (54)
CWC (2)
Gloves (1 pkg)
Pull-Ups (24)
Ziplock Bag, 13x18 (8)
Ziplock Bag, 36x36 (4)

REF/130/FIN

STS-130 MIDDECK STOWAGE (Cont)

LiOH VOL (MD52M)

Canister, ATCO
Canister, LiOH (29)
Gloves, Nitrile (40)
G-Suit (6)
Mask, Surgical Filter (30)

EXTERNAL AIRLOCK

PORT

EMU – EV2 (see EVA C/L)

STBD

EMU – EV1 (see EVA C/L)

AIRLOCK FLOOR BAG

Bag, EVA Trash
Bag, Inflight Stowage
CCC (5)
Clothing, Entry (6)
DISDB (8)
ECOK
Gloves, ACES (Spare) (2 pr)
Insulator, Template Mount (2)
LCVG
MWS (2)
Peel Layer (4)
SAFER Hand Controller
Tether, Retractable Equip (11)
Tether, Safety, 85 ft (2)
Tether, Waist (4)

VOL H (MD23R)

INBOARD

See EVA C/L

OUTBOARD

See EVA C/L

MA12B (WINDOW SHADE BAG)

Bag, Window Shade

Bag, IFM Cont Hose and Cable Kit

Adapter, Red/Yellow
Cable, AC Pwr Cont Transfer, 15 ft
Cable, DC Harness, 24 ft (2)
Cable, DC Pigtail Connector (2)
Cable, MCIU Data, 10 ft
Cable, MCIU to PNL L15, 6 ft
Cable, OCA Spare
Clamp, Various Sizes (14)
Cover, Panel (3)
Gloves, Clean Room
Hose, 1/4 in (6 ft)
Hose, 3/8 in (6 ft)
Hose, Cont Blue/Blue
Hose, Cont Red/Red
Hose, Cont Yellow/Yellow, 8 ft
Hose, CWC Contingency, 20 ft
Hose, O2 Contingency
Kit, Parachute Repack (2)
Protective Cover Wireway (3)

MA12B (WINDOW SHADE BAG)

(Cont)

Bag, Window Shade (Cont)

Bag, IFM Cont Hose and Cable Kit

(Cont)

Shade, CCTV Monitor (2)

VPMP Panel Cover (2)

Water Equipment

Filter, Wand Extender

Galley Needle (Spare)

Separator, Water/Gas (2)

Supply Water Dump Line Purge
Device

Water Dispenser, Contingency

Window Shade, Aft (2)

Window Shade, Ovhd (2)

Window Shield, Ovhd (2)

01/25/10

FS 1-11

REF/130/FIN

STS-130 MIDDECK STOWAGE (Cont)

MIDDECK CEILING

BAG E (Port 1)

CHECS

Bag, Incubation
CSA-CP Resupply
CSA-O2 Monitor (2)
IMAK (2)
Packet, Petri Dish (8)
Packet, Surface Sampler (14)
Radiation Area Monitor (RAM) (24)
Subpack, New RAM (2)

UPA FCPA

BAG F (Port 2)

Clothing, Crew
Cover, Fire Extinguisher
Node 3 VOK H/W
Barrier, BVC Radial
Cap, Protective (89)
Duct, IMV (2)
Jumper (7)
Locking Pins, RTL (4)
O-Ring, Silicon (4)
Wire Harness (7)
Quick Don Mask (QDM)

MIDDECK CEILING

(Cont)

BAG G (Stbd 1)

Bag, EVA Transfer
Batt, EMU
BTA
Cap, Protective
Carrier, OIH (2)
CCC (2)
Connector, Node 3 P104-PMA3
Cover, Connector Multiple Tethered (2)
Cover, HMU 271 Plug Bootie
Cover, Lower Arm Wrist (4)
DISDB (6)
Gloves, EVA (2 pr)
MLI, Zenith Cone Stanchion (2)
Ratchet, 3/8 in Drive w/7/16 in socket
Socket Extension, 5/16 in x 7 in
Spanner, Gap (9)
Terminator, 1553 (2)
Tether, Adjustable Equip (AET) (16)
Wire Ties, EVA (28)

BAG H (Stbd 2)

Bag, Jettison Stowage (2)
CDRA

MIDDECK FLOOR

BAG A (Port 1)

UPA DA

BAG B (Port 2)

Odor Bacteria Filter (WCS Spare)
Recycle Filter Tank (RFTA)
Utility Closeout Panel (4)
Wrench, Torque

BAG C (Stbd 1)

Jumpers, Ammonia Node 3 (4)

BAG D (Stbd 2)

Thermal Jacket, Ammonia Jumpers
Node 3

SEAT 7 STOWAGE BAG

Bolt, CBEF Fan Locking (2)
Cable, Stabilizer Pwr/Data (TVIS)
Food, ISS
Stabilizer, TVIS

01/25/10

FS 1-12

REF/130/FIN

STS-130 LIGHTWEIGHT MAR

ML60B

Cable, CCTV 20' Cabin
Cable, RS-232 9-Pin
Cable, TV Controller CIP
Cable, TV Controller/CTVM
Centerline Camera, Prime
Feeler Gauge (4)
Harness, Centerline Camera
Screws (20)
TV Controller Unit
Washer (6)
Wipes, Disinfectant (2)

ML60E

Access Point, Proxim (2)
Adapter, RS-422 (2)
Board, OCA
Cable, 1553 PCMCIA (2)
Cable, A31p Pwr (2)
Cable, A31p Video Adapter
Cable, Fuel Cell PCMMU
Cable, OPP to LCS RJ45, 20 ft
Cable, PCMMU, 24 ft
Cable, PCS-PDIP 1553
Cable, PDIP RS-422 Y, 24 ft
Cable, PGSC Pwr (3)
Cable, RJ45, 16 ft
Cable, RJ45, 32 ft (3)
Cable, RS-232 Y, 15 ft
Cable, RS-422 Extension, 10 ft

01/25/10

ML60E

(Cont)
Cable, RS-422 Y, 15 ft
Cable, Tri Port PCMCIA RS-422/MCIU
Card (5)
Cable, VLHS to VTS I/F (2)
Cable, WAP Pwr, 10 ft (2)
Camera, Ultraport (2)
Card, 1553 PCMCIA (2)
Card, CF Adapter (2)
Card, Dual Port PCMCIA RS-422 Card (2)
Card, Wireless RF Network (8)
Expansion, OCA
Expansion, PCMMU (2)
Harddrive, 160GB
Laptop, T61p (PCS)
PGSCs
STS-1 – OCA Router
STS-2 – Windecom
STS-3 – KFX
STS-4 – RPOP
STS-5 – RPOP2
STS-6 – WLE
Pwr Supply, DC (10)
Receiver, WLE (2)
Relay, System (3)

ML60M

Centerline Camera, Backup
Harness, Centerline Backup
Ultrasonic Leak Detector
Acoustic Tip
Adapter
Batt, 9V (2)
Concentrator
Headset
Probe, Extension (3)
Receiver
Transmitter

FS 1-13

REF/130/FIN

STS-130 CONSUMABLES

<u>Item</u>	<u>Location</u>	<u>Total Qty</u>
Contingency Urine/Fecal Collection Devices:		
CUCDs (Male)	VOL G (MD80R)	54
Apollo Fecal Bags	VOL G (MD80R)	40
Pull-Ups	VOL G (MD80R)	24
Disinfectant Wipes (26/pkg) (6/cm/day)	Waste Mgmt Compartment	3 pkg 78
	VOL B (MA4D)	14 pkg 364
	ML60B (Top of MAR)	2 pkg 52
	MF71K	3 pkg 78
		<u>572</u>
Dry Wipes, Multi-Purpose (24/pkg) (25/cm/day)	Waste Mgmt Compartment	29 pkg 696
	VOL B (MA4D)	60 pkg 1440
		<u>2136</u>
Elbow Bags	Waste Mgmt Compartment	16
	VOL B (MA4D)	<u>14</u>
		30
Emesis Bags	Waste Mgmt Compartment	7
	VOL B (MA4D)	<u>13</u>
		20
Gloves (50/pkg) (3.5/cm/day) (not incl VOL G)	Waste Mgmt Compartment	2 pkg 100
	VOL B (MA4D)	4 pkg 200
	VOL G (MD80R)	1 pkg 50
		<u>350</u>
Gloves, Shoulder Length	VOL B (MA4D)	1 pkg 25
Prefilters, Conical	Waste Mgmt Compartment	20
	VOL B (MA4D)	<u>20</u>
		40
Towels (half/cm/day)	Waste Mgmt Compartment	36
	VOL B (MA4D)	<u>13</u>
		49
Trash Bags (Coffee Can Bags) (10/pkg) (2/cm/day)	Waste Mgmt Compartment	10 pkg 100
	VOL B (MA4D)	8 pkg 80
		<u>180</u>

NOTE: The qty/day is based on 6 crewmembers and 14 days

STS-130 CONSUMABLES (Cont)

<u>Item</u>	<u>Location</u>		<u>Total Qty</u>
Washcloths (1/cm/day)	Waste Mgmt Compartment VOL B (MA4D)		32 <u>56</u> 88
Wet Washes ("Baby Wipes") – (40/pkg) (19/cm/day)	Waste Mgmt Compartment VOL B (MA4D)	6 pkg 34 pkg	240 <u>1360</u> 1600

NOTE: The qty/day is based on 6 crewmembers and 14 days



This Page Intentionally Blank



ALPHA-
BETIC

ALPHABETICAL STOWAGE

FS 2-1

REF/130/FIN

**ALPHA-
BETIC**

ALPHABETICAL STOWAGE

<u>ITEM</u>	<u>LOCATION</u>	<u>NOTES</u>
A		
Access Point, Proxim (2)	ML60E	
Accessories	MF57A	VOL A, Pantry Food
Acoustic Tip	ML60M	Ultrasonic Leak Detector
ACTEX (2)	MA9L	
Actiwatches (3)	MF71K	
Adapter	ML60M	Ultrasonic Leak Detector
Adapter, "Dash 2"	MA9L	
Adapter, A31p Video	A17	DTV Camcorder Bag
Adapter, BNC-RCA Phono (2)	A17	Core Camcorder Bag
Adapter, BNC-T	A17	Core Camcorder Bag
Adapter, BNC-T	A17	DTV Camcorder Bag
Adapter, Flash Card (4)	A16	Camera Bag
Adapter, Luer (PWD) (4)	MF57C	
Adapter, RCA-BNC (2)	A17	Core Camcorder Bag
Adapter, Red/Yellow	MA12B	Window Shade Bag, IFM CHCK Bag
Adapter, RS-422 (2)	ML60E	
Air Sample Bottle (2)	MF14O	
Air Sample Bottle (3)	MF71C	
APAS Hatch Tool	MF57M	Docking Mechanism Accessory Kit
Audio Dosimeter	MA16G	
AVIU	L10 Upper	
AVIU (5)	MA16J	Photo TV Stow-N-Go CTB
01/25/10	FS 2-2	REF/130/FIN

<u>ITEM</u>	<u>LOCATION</u>	<u>NOTES</u>
B		
BAG A (Port 1)	MD Floor	
BAG B (Port 2)	MD Floor	
BAG C (Stbd 1)	MD Floor	
BAG D (Stbd 2)	MD Floor	
BAG E (Port 1)	MD Ceiling	
BAG F (Port 2)	MD Ceiling	
BAG G (Stbd 1)	MD Ceiling	
BAG H (Stbd 2)	MD Ceiling	
Bag, Apollo Fecal (40)	MD80R	VOL G
Bag, Camera	A16	
Bag, Chemical Resistant (2)	MF14O	
Bag, Core Camcorder	A17	
Bag, DTV Camcorder	A17	
Bag, Elbow (14)	MA4D	VOL B
Bag, Elbow (16)	WMC	
Bag, Emesis (13)	MA4D	VOL B
Bag, Emesis (7)	WMC	
Bag, EVA Transfer	MD Ceiling	BAG G (Stbd 1)
Bag, EVA Trash	A/L Floor Bag	
Bag, Headset Accessory	MF71H	
Bag, Helmet (2)	MF71K	
Bag, IFM Cont Hose and Cable Kit	MA12B	Window Shade Bag
Bag, Incubation	MD Ceiling	BAG E (Port 1), CHECS
Bag, Inflight Stowage	A/L Floor Bag	
Bag, Inflight Stowage (2)	MA4D	VOL B
01/25/10	FS 2-3	REF/130/FIN

<u>ITEM</u>	<u>LOCATION</u>	<u>NOTES</u>
B (Cont)		
Bag, Inflight Stowage Restraint (9)	MF71H	
Bag, Jettison (4)	MF71K	
Bag, Jettison Stowage (2)	MD Ceiling	BAG H (Stbd 2)
Bag, Jettison Stowage (5)	MF71H	
Bag, Menu Food Trash	MF71H	
Bag, Window Shade	MA12B	Window Shade Bag
Bags (4)	MF14M	Vacuum Cleaner
BAL/UNBAL Transformer	A17	DTV Camcorder Bag
BAL/UNBAL Transformer	MF71O	
Barrier, BVC Radial	MD Ceiling	BAG F (Port 2), Node 3 VOK H/W
Batt Cap/Fuse (LIDAR)	MF71O	
Batt Charger, Li-ION (2)	A17	Core Camcorder Bag
Batt Door (Spare)	A16	Camera Bag
Batt Pack, CSA-CP (3)	MF57M	CSA-CP
Batt, 9V (2)	ML60M	Ultrasonic Leak Detector
Batt, AA	MF71O	
Batt, AA (30)	MA16G	
Batt, AA (6)	MD52C	VOL D
Batt, BPSMU (2)	MF71O	
Batt, D2XS Rechargeable (9)	MA16G	
Batt, EMU	MD Ceiling	BAG G (Stbd 1)
Batt, LIDAR (2)	MF71O	
Batt, Li-ION	MA73J	VOL 3B
Batt, Li-ION (6)	A17	Core Camcorder Bag
01/25/10	FS 2-4	REF/130/FIN

<u>ITEM</u>	<u>LOCATION</u>	<u>NOTES</u>
B (Cont)		
Batt, Silver Oxide, 1.5V (2)	A17	Core Camcorder Bag
Binoculars (2)	A17	DTV Camcorder Bag
Board, OCA	ML60E	
Bolt, CBEF Fan Locking (2)	SEAT 7 Stowage Bag	
BPSMU (2)	MF71O	
Bracket, Base Multiuse	MA16J	Photo TV Stow-N-Go CTB
Bracket, Clamp Multiuse (3)	MA16J	Photo TV Stow-N-Go CTB
Bracket, Dual Camera	MA16J	Photo TV Stow-N-Go CTB
Bracket, HUD	A17	DTV Camcorder Bag
Bracket, Lockline Flex	MA16J	Photo TV Stow-N-Go CTB
Bracket, Multiuse	A17	Core Camcorder Bag
Bracket, Multiuse (2)	A16	
Bracket, Multiuse (3)	MA16J	Photo TV Stow-N-Go CTB
Breaker Bar (Pallet Removal)	MF14O	
Breakout Box	MF14O	
BTA	MD Ceiling	BAG G (Stbd 1)
Bungee (2)	A16	PILOT Hand Controller
Bungee, Adjustable (7)	MF71K	
C		
Cable, 12VDC Circular to XLR	L10 Lower	
Cable, 1553 PCMCIA (2)	ML60E	
Cable, A31p Pwr (2)	ML60E	
Cable, A31p Video Adapter	ML60E	
01/25/10	FS 2-5	REF/130/FIN

<u>ITEM</u>	<u>LOCATION</u>	<u>NOTES</u>
C (Cont)		
Cable, AC Pwr Cont Transfer, 15 ft	MA12B	Window Shade Bag, IFM CHCK Bag
Cable, AC W	MA9J	
Cable, AVIU CC	A17	DTV Camcorder Bag
Cable, AVIU Video	A17	DTV Camcorder Bag
Cable, AVIU Video (4)	MA16J	Photo TV Stow-N-Go CTB
Cable, Balanced Video	A17	DTV Camcorder Bag
Cable, Balanced Video	L10 Lower	
Cable, Balanced Video (2)	MA16J	Photo TV Stow-N-Go CTB
Cable, Biomed (2)	MF14H	
Cable, BNC to BNC	MF71O	
Cable, BNC to BNC (4)	L10 Lower	
Cable, BNC to RCA (3)	L10 Lower	
Cable, BNC Video (2)	A17	DTV Camcorder Bag
Cable, BPSMU A/V Patch	A17	DTV Camcorder Bag
Cable, BPSMU to CCU Adapter (2)	MF71O	
Cable, CCTV 20' Cabin	ML60B	
Cable, Comm 14 ft	MF71K	Comm Kit
Cable, Comm 4 ft	MF71K	Comm Kit
Cable, DC Harness, 24 ft (2)	MA12B	Window Shade Bag, IFM CHCK Bag
Cable, DC Pigtail Connector (2)	MA12B	Window Shade Bag, IFM CHCK Bag
Cable, DC Pwr, 20 ft	MF14M	Vacuum Cleaner
Cable, Digital CC to Video Pwr, 15 ft	L10 Upper	
Cable, Digital CC Video Pwr (4)	MA16J	Photo TV Stow-N-Go CTB
Cable, DTV IEEE 1394 4-Pin to Female	L10 Upper	
01/25/10	FS 2-6	REF/130/FIN

<u>ITEM</u>	<u>LOCATION</u>	<u>NOTES</u>
C (Cont)		
Cable, DTV IEEE 1394 4-Pin to Male	L10 Lower	
Cable, DTV IEEE 1394 4-Pin to Male	L10 Upper	
Cable, Fuel Cell PCMMU	ML60E	
Cable, IEEE 1394 4-Pin Firewire	A17	DTV Camcorder Bag
Cable, IEEE 1394, 15 ft	A17	DTV Camcorder Bag
Cable, IEEE 1394, Crew	A17	DTV Camcorder Bag
Cable, LIDAR I/F (2)	MF71O	
Cable, MCIU Data, 10 ft	MA12B	Window Shade Bag, IFM CHCK Bag
Cable, MCIU to PNL L15, 6 ft	MA12B	Window Shade Bag, IFM CHCK Bag
Cable, Mini-Cam Extension	A17	DTV Camcorder Bag
Cable, Mini-Cam On-Orbit	A17	DTV Camcorder Bag
Cable, Mini-Cam/AVIU Adapter	A17	DTV Camcorder Bag
Cable, Monitor to VIU/CM, 20 ft	A17	DTV Camcorder Bag
Cable, MPC to DTV Mux, 3 ft	L10 Upper	
Cable, MPC to DTV Mux, 9 ft	L10 Upper	
Cable, OCA Spare	MA12B	Window Shade Bag, IFM CHCK Bag
Cable, OPP to LCS RJ45, 20 ft	ML60E	
Cable, Parallel Data	MA9J	
Cable, PCMCIA to WIB-Remote	A17	DTV Camcorder Bag
Cable, PCMCIA to WIB-Remote	MA16J	Photo TV Stow-N-Go CTB
Cable, PCMMU, 24 ft	ML60E	
Cable, PCS-PDIP 1553	ML60E	
Cable, PD100 A/V Adapter	A17	DTV Camcorder Bag
Cable, PDIP RS-422 Y, 24 ft	ML60E	
Cable, PGSC DC Pwr, 10 ft	A16	
01/25/10	FS 2-7	REF/130/FIN

<u>ITEM</u>	<u>LOCATION</u>	<u>NOTES</u>
C (Cont)		
Cable, PGSC DC Pwr, 6 ft	A16	
Cable, PGSC Pwr (3)	ML60E	
Cable, PGSC Pwr, 6 ft	MF71O	
Cable, PILOT RS-232 Pwr/Data Y	A16	PILOT Hand Controller
Cable, PPOV Teac Wye	A17	DTV Camcorder Bag
Cable, PPOV Teac Wye (Prerouted)	L10 Upper	
Cable, Pwr, AC, 20 ft	MA9J	
Cable, RCA-RCA	A17	DTV Camcorder Bag
Cable, RJ45, 16 ft	ML60E	
Cable, RJ45, 32 ft (3)	ML60E	
Cable, RS-232 9-Pin	ML60B	
Cable, RS-232 Y, 15 ft	ML60E	
Cable, RS-422 Extension, 10 ft	ML60E	
Cable, RS-422 Y, 15 ft	ML60E	
Cable, Shutter Release w/Extension	A16	Camera Bag
Cable, SSV to PDIP/CIP (2)	MF71O	
Cable, Stabilizer Pwr/Data (TVIS)	SEAT 7 Stowage Bag	
Cable, Tri Port PCMCIA RS-422/MCIU Card (5)	ML60E	
Cable, TV Controller CIP	ML60B	
Cable, TV Controller/CTVM	ML60B	
Cable, VIP ATU I/F	L10 Lower	
Cable, VIP Pwr	L10 Lower	
Cable, VLHS to VTS I/F (2)	ML60E	
Cable, VPU Patch	A17	DTV Camcorder Bag
Cable, VPU Patch	MA16J	Photo TV Stow-N-Go CTB
01/25/10	FS 2-8	REF/130/FIN

<u>ITEM</u>	<u>LOCATION</u>	<u>NOTES</u>
C (Cont)		
Cable, WAP Pwr, 10 ft (2)	ML60E	
Camcorder, Canon HG1 w/Tape	A17	Core Camcorder Bag
Camcorder, G1 w/Tape	MA73J	VOL 3B
Camera Bracket, Loc-Line Flex (2)	MA16G	
Camera, D2XS w/4GB Card	MA73J	VOL 3B
Camera, D2XS w/Card	MA16G	
Camera, D2XS w/Card (2)	MA16J	Photo TV Stow-N-Go CTB
Camera, Mini-Cam (HUD Entry)	A17	DTV Camcorder Bag
Camera, Ultraport (2)	ML60E	
Canister, ATCO	MD52M	LiOH VOL
Canister, LiOH (29)	MD52M	LiOH VOL
Canister, WCS (Coffee Can)	MF71H	
Cap, Protective	MD Ceiling	BAG G (Stbd 1)
Cap, Protective (89)	MD Ceiling	BAG F (Port 2), Node 3 VOK H/W
Card, 1553 PCMCIA (2)	ML60E	
Card, CF Adapter (2)	ML60E	
Card, DCS 760 (7)	A16	Camera Bag
Card, Dual Port PCMCIA RS-422 Card (2)	ML60E	
Card, Wireless RF Network (8)	ML60E	
Carrier, OIH (2)	MD Ceiling	BAG G (Stbd 1)
Cartridge, Black (2)	MA9J	Color Printer
Cartridge, Color (2)	MA9J	Color Printer
Cartridge, N ₂ (10)	MF57C	
Case, CD Stowage	MF71C	
CCC (2)	MD Ceiling	BAG G (Stbd 1)
01/25/10	FS 2-9	REF/130/FIN

<u>ITEM</u>	<u>LOCATION</u>	<u>NOTES</u>
C (Cont)		
CCC (5)	A/L Floor Bag	
CDRA	MD Ceiling	BAG H (Stbd 2)
Centerline Camera, Backup	ML60M	
Centerline Camera, Prime	ML60B	
CGBA	MF71E	
Chair, Nada	MF71K	
CHECS	MD Ceiling	BAG E (Port 1)
Chem Light, Green (27)	MA9N	
Chem Light, Red (ACES Entry) (28)	MA9N	
Clamp, Multiuse (2)	A16	
Clamp, Various Sizes (14)	MA12B	Window Shade Bag, IFM CHCK Bag
Cleaning Solution	A16	Camera Bag
Clothing, 1st Day (6)	WMC	
Clothing, CDR	MF43M	
Clothing, Crew	MD Ceiling	BAG F (Port 2)
Clothing, Entry (6)	A/L Floor Bag	
Clothing, MS1	MF43G	
Clothing, MS2	MF71G	
Clothing, MS3	MA16F	
Clothing, MS4	MF71M	
Clothing, PLT	MA16L	
COAS	MA16G	
COAX Cable Torque Adapter (2)	MD52C	VOL D
Cold Bag, RCC	MA9G	
Community PHK	MA9N	
01/25/10	FS 2-10	REF/130/FIN

<u>ITEM</u>	<u>LOCATION</u>	<u>NOTES</u>
C (Cont)		
Computer Desk, Inflight (2)	A16	
Computer Desk, Inflight (2)	MA16J	Photo TV Stow-N-Go CTB
Concentrator	ML60M	Ultrasonic Leak Detector
Condensate Collection	MF57M	
Connector, Node 3 P104-PMA3	MD Ceiling	BAG G (Stbd 1)
Container, Sharps	MF14H	
Converter, IVA 1394	A17	DTV Camcorder Bag
Coupler, TWINAX (2)	A17	Core Camcorder Bag
Cover, Connector	A17	DTV Camcorder Bag
Cover, Connector Multiple Tethered (2)	MD Ceiling	BAG G (Stbd 1)
Cover, Eyepiece	A16	Camera Bag
Cover, Fire Extinguisher	MD Ceiling	BAG F (Port 2)
Cover, HMU 271 Plug Bootie	MD Ceiling	BAG G (Stbd 1)
Cover, HUD (2)	MF71H	
Cover, Lower Arm Wrist (4)	MD Ceiling	BAG G (Stbd 1)
Cover, MWC (2)	MF71C	
Cover, Panel (3)	MA12B	Window Shade Bag, IFM CHCK Bag
Cover, Parachute (6)	MF71H	
Crack Repair Gun (Manual) w/Thermal Cover (2)	MD52C	VOL D
Crew Support	MA16N	
CSA-CP	MF57M	
CSA-CP Resupply	MD Ceiling	BAG E (Port 1), CHECS
CSA-O2 Monitor (2)	MD Ceiling	BAG E (Port 1), CHECS
CTB, Photo TV Stow-N-Go	MA16J	
CUCD, Male (54)	MD80R	VOL G
CWC (2)	MD80R	VOL G
01/25/10	FS 2-11	REF/130/FIN

<u>ITEM</u>	<u>LOCATION</u>	<u>NOTES</u>
C (Cont)		
CWC (2)	MF57M	Condensate Collection
Cylinder (16)	MF57K	GAP
D		
Desiccant, ABRS (2)	MF43C	
DISDB (6)	MD Ceiling	BAG G (Stbd 1)
DISDB (8)	A/L Floor Bag	
Downlink Data Multiplexer	MD52C	VOL D
Dry Wipe (2)	A16	Camera Bag
Dry Wipes, Multi-Purpose (29 pkg)	WMC	
Dry Wipes, Multi-Purpose (60 pkg)	MA4D	VOL B
DTV MUX	L10 Lower	
DTV VTR Pouch	MD52C	VOL D
Duct, IMV (2)	MD Ceiling	BAG F (Port 2), Node 3 VOK H/W
Duxseal	MF14O	
E		
Eating Utensils	MF57A	VOL A, Pantry Food
ECOK	A/L Floor Bag	
EMCS TROPI (8 ea)	MF14G	
EMCS TROPI (8 ea)	MF57C	
EMU – EV1 (See EVA C/L)	External A/L	STBD
EMU – EV2 (See EVA C/L)	External A/L	PORT
01/25/10	FS 2-12	REF/130/FIN

<u>ITEM</u>	<u>LOCATION</u>	<u>NOTES</u>
E (Cont)		
EVA Camera Mount w/Thermal Blanket	MD52C	VOL D
EVA Camera Strap	MD52C	VOL D
EVA Thermal Sensor	MD52C	VOL D
EVA Wipes (5)	MD52C	VOL D
Expansion, OCA	ML60E	
Expansion, PCMMU (2)	ML60E	
Extension, 4 in	MF14O	
F		
FDF	C4A	
FDF	C4F	
FDF	MF43E	
FDF	MF57E	
FDF	R3A	
FDF	R3F	
Feeler Gauge (4)	ML60B	
Fiberscope Light Source	MA9N	
Fiberscope, Video	MA9N	
Filter (QDM) (5)	MF71C	
Filter, ABRS (5)	MF43C	
Filter, Contingency Waste Water (CWWDF)	MF57G	
Filter, Microbe (Spare)	MA9L	
Filter, NI-CR	MA16G	COAS
Filter, Wand Extender	MA12B	Window Shade Bag, Water Equipment
01/25/10	FS 2-13	REF/130/FIN

<u>ITEM</u>	<u>LOCATION</u>	<u>NOTES</u>
F (Cont)		
Filter, Waste Water Dump	MF14O	
Flash/Diffuser	A16	Camera Bag
Flash/Diffuser	MA73J	VOL 3B
Flow Shut Off Valve (2)	MD52C	VOL D
Food, Fresh	MF43H	
Food, Fresh	MF43K	
Food, ISS	SEAT 7 Stowage Bag	
Food, Menu	MF28H	
Food, Menu	MF28K	
Food, Menu	MF28M	
Food, Menu	MF28O	
Food, Menu	MF43K	
Food, Menu	MF57G	
Food, Menu	MF57H	
FRED	MF71K	
G		
Galley Needle (Spare)	MA12B	Window Shade Bag, Water Equipment
GAP	MF57K	
GLACIER	MF28E/G	
Gloves (1 pkg)	MD80R	VOL G
Gloves (2 pkg)	WMC	
Gloves (4 pkg)	MA4D	VOL B
Gloves, ACES (Spare) (2 pr)	A/L Floor Bag	
01/25/10	FS 2-14	REF/130/FIN

<u>ITEM</u>	<u>LOCATION</u>	<u>NOTES</u>
G (Cont)		
Gloves, Clean Room	MA12B	Window Shade Bag, IFM CHCK Bag
Gloves, EVA (2 pr)	MD Ceiling	BAG G (Stbd 1)
Gloves, Nitrile (40)	MD52M	LiOH VOL
Gloves, Shoulder Length (1 pkg)	MA4D	VOL B
G-Suit (6)	MD52M	LiOH VOL
H		
Hand Crank	MF57K	GAP
Harddrive, 160GB	ML60E	
Harness, Centerline Backup	ML60M	
Harness, Centerline Camera	ML60B	
Harness, ECLSS Wire (3)	MF71C	
Headphones	A17	Core Camcorder Bag
Headset	ML60M	Ultrasonic Leak Detector
Hex Drive, 3/16 in (2)	MF71C	
Hose, 1/4 in (6 ft)	MA12B	Window Shade Bag, IFM CHCK Bag
Hose, 3/8 in (6 ft)	MA12B	Window Shade Bag, IFM CHCK Bag
Hose, ACTEX	MA9L	
Hose, Cont Blue/Blue	MA12B	Window Shade Bag, IFM CHCK Bag
Hose, Cont Red/Red	MA12B	Window Shade Bag, IFM CHCK Bag
Hose, Cont Yellow/Yellow, 8 ft	MA12B	Window Shade Bag, IFM CHCK Bag
Hose, CWC Contingency, 20 ft	MA12B	Window Shade Bag, IFM CHCK Bag
Hose, Filter Assy ("Monster Hose")	MA9L	
01/25/10	FS 2-15	REF/130/FIN

<u>ITEM</u>	<u>LOCATION</u>	<u>NOTES</u>
H (Cont)		
Hose, O2 Contingency	MA12B	Window Shade Bag, IFM CHCK Bag
Hose, Personal Hygiene	MF71H	
Hose, Red-Yellow/"Dash-2 Adapter"	MA9L	Condensate Collection
Hose, SUPA	WMC	
Hose, SUPA (14)	MF57M	
Hose, WCS Canister	MF71H	
Hose, Yellow-Yellow	MF57M	
I		
IFM Fastener Retainer Cushion	MF14O	BAG E (Port 1), CHECS VOL H
IFM Tools (see IFM C/L)	MA16D	
IMAK (2)	MD Ceiling	
INBOARD – See EVA C/L	MD23R	
Insulator, Template Mount (2)	A/L Floor Bag	
J		
Jumper (7)	MD Ceiling	BAG F (Port 2), Node 3 VOK H/W BAG C (Stbd 1)
Jumpers, Ammonia Node 3 (4)	MD Floor	
01/25/10	FS 2-16	REF/130/FIN

<u>ITEM</u>	<u>LOCATION</u>	<u>NOTES</u>
K		
Kit, Ammonia Detection	MA9D/F	
Kit, APEX-Cambium KSC Fixation Tube (KFT)	MF43C	
Kit, APEX-Cambium Water	MF43C	
Kit, Card Blood Sample Container	MF43C	
Kit, Cardio Lab (CDL) Holter Arterial BP Batt Kit (2)	MF43C	
Kit, Comm	MF71K	
Kit, Contaminant Cleanup	MA9N	
Kit, Docking Mechanism Accessory	MF57M	
Kit, Dosimeter	MF14H	
Kit, DTV MUX Fuse	A17	DTV Camcorder Bag
Kit, Electrode	MF14H	
Kit, Emittance Wash Applicator (2)	MD52C	VOL D
Kit, Fluid Loading (2)	MA9N	
Kit, Foam Applicator (2)	MF14O	
Kit, HRM (2)	MA9D/F	
Kit, IMV O-Ring/Braycote	MF57M	
Kit, Medical Accessory	MF14H	
Kit, Medical Accessory (MAK)	MA9D/F	
Kit, Mineral Syringe	MA9D/F	
Kit, Operational Bioinstrumentation System	MF14H	
Kit, Parachute Repack (2)	MA12B	Window Shade Bag
Kit, Personal Hygiene (PHK) (6)	MA9N	
Kit, RMS D&C IFM	MF14O	
Kit, Sample/Purge (Water Transfer)	MF57K	
Kit, Silver Biocide (Water Transfer)	MF57K	
01/25/10	FS 2-17	REF/130/FIN

<u>ITEM</u>	<u>LOCATION</u>	<u>NOTES</u>
K (Cont)		
Kit, SSV Fuse	MF71O	
Kit, TAGES Replant	MF43C	
Kit, Water (QDM)	MF71C	
L		
Laptop, T61p (PCS)	ML60E	
LCVG	A/L Floor Bag	
Leg Bar, FRED	A16	
Lens, 10.5mm	A16	Camera Bag
Lens, 12-24mm	MA73J	VOL 3B
Lens, 17-35mm	A16	Camera Bag
Lens, 24-50mm (2)	A16	Camera Bag
Lens, 28-70mm	A16	Camera Bag
Lens, 28mm	A16	Camera Bag
Lens, 35mm w/Filter	A16	Camera Bag
Lens, 400mm	MA73J	VOL 3B
Lens, 80-200mm	A16	Camera Bag
Lens, Camcorder Wide Angle	A17	Core Camcorder Bag
Lens, Wide Conversion	MA16J	Photo TV Stow-N-Go CTB
LIDAR	MF71O	
LIDAR w/Nightscope	MF71O	
Light Shade (2)	MA16G	
Locking Pins, RTL (4)	MD Ceiling	BAG F (Port 2), Node 3 VOK H/W
Lubricant	MF14O	
01/25/10	FS 2-18	REF/130/FIN

<u>ITEM</u>	<u>LOCATION</u>	<u>NOTES</u>
M		
Mask, Surgical Filter (30)	MD52M	LiOH VOL
Memory Card, 4GB	MA73J	VOL 3B
Microbial Check Valve (MCV)	MA9L	
Microphone, Camcorder	A17	Core Camcorder Bag
Microphone, Handheld	MF71K	Comm Kit
Mirror, Personal Hygiene (2)	MF71H	
MLI, Zenith Cone Stanchion (2)	MD Ceiling	BAG G (Stbd 1)
Modular MWS RH Swingarm	MD52C	VOL D
MPC	L10 Upper	
MWS (2)	A/L Floor Bag	
MYCO (8)	MF57C	
N		
Node 3 VOK H/W	MD Ceiling	BAG F (Port 2)
O		
O2 Bleed Orifice	MF71K	PIP Pin
OBSS/OPP	R12	
OCAC	MA73J	VOL 3B
Odor Bacteria Filter (WCS Spare)	MD Floor	BAG B (Port 2)
OFK/PPK	MD76C	VOL E
OIU	L11	
O-Ring (31)	MF71C	
01/25/10	FS 2-19	REF/130/FIN

<u>ITEM</u>	<u>LOCATION</u>	<u>NOTES</u>
O (Cont)		
O-Ring, Silicon (4) OUTBOARD – See EVA C/L	MD Ceiling MD23R	BAG F (Port 2), Node 3 VOK H/W VOL H
P		
Packet, Petri Dish (8)	MD Ceiling	BAG E (Port 1), CHECS
Packet, Surface Sampler (14)	MD Ceiling	BAG E (Port 1), CHECS
Palette (2)	MD52C	VOL D
Panel Cover, MA73C	MF71K	
Pantry Food	MF57A	VOL A
Paper (2)	MA9J	Color Printer
PCMCIA RS-422 Card	MA16J	Photo TV Stow-N-Go CTB
PDIP 1	L12	
PDIP 2	L11	
Peel Layer (4)	A/L Floor Bag	
PGSC, STS-1 – OCA Router	ML60E	
PGSC, STS-2 – Windecom	ML60E	
PGSC, STS-3 – KFX	ML60E	
PGSC, STS-4 – RPOP	ML60E	
PGSC, STS-5 – RPOP2	ML60E	
PGSC, STS-6 – WLE	ML60E	
PILOT Hand Controller	A16	
PIP Pin	MF71K	
PIP Pin (12)	MF71K	PIP Pin
PIP Pin, Egress Pole (Spare)	MF71K	PIP Pin
01/25/10	FS 2-20	REF/130/FIN

<u>ITEM</u>	<u>LOCATION</u>	<u>NOTES</u>
P (Cont)		
Prefilter, Conical (20)	MA4D	VOL B
Prefilter, Conical (20)	WMC	
Printer, Color	MA9J	
Probe, Extension (3)	ML60M	Ultrasonic Leak Detector
Protective Cover Wireway (3)	MA12B	Window Shade Bag
Pry Bar, Window 8	A17	
Pull-Ups (24)	MD80R	VOL G
PWR	MF14K	
Pwr Supply, DC	A16	
Pwr Supply, DC (10)	ML60E	
Pwr Supply, MPC	L10 Upper	
Q		
Quick Don Mask (2)	MA73J	VOL 3B
Quick Don Mask (4)	A17	
Quick Don Mask (QDM)	MD Ceiling	BAG F (Port 2)
R		
Radiation Area Monitor (RAM) (24)	MD Ceiling	BAG E (Port 1), CHECS
Ratchet, 3/8 in Drive w/7/16 in socket	MD Ceiling	BAG G (Stbd 1)
RCC Crack Bag	MD52C	VOL D
RCC CRM Scraper, 2 in (4)	MD52C	VOL D
RCC CRM Scraper, 5 in (2)	MD52C	VOL D
01/25/10	FS 2-21	REF/130/FIN

<u>ITEM</u>	<u>LOCATION</u>	<u>NOTES</u>
R (Cont)		
RCC Leading Edge Special Wrench	MD52C	VOL D
Receiver	ML60M	Ultrasonic Leak Detector
Receiver, WLE (2)	ML60E	
Recycle Filter Tank (RFTA)	MD Floor	BAG B (Port 2)
Relay, System (3)	ML60E	
Remote, PD1 (2)	A17	Core Camcorder Bag
Restraint (4)	MF14H	
Restraint, Foot Loop (Spare) (6)	MA9N	
Restraint, Seat (Spare) (2)	MA9N	
Resuscitator	MA9D/F	
Ruler and Protuberance Gauge	MD52C	VOL D
S		
SAFER Hand Controller	A/L Floor Bag	
Saline (2)	MF14H	
Sampling Pump	MF57M	CSA-CP
Sampling Pump Filter	MF57M	CSA-CP
Scraper Tool	WMC	
Screws (20)	ML60B	
Separator, Water/Gas (2)	MA12B	Window Shade Bag, Water Equipment
Shade, CCTV Monitor (2)	MA12B	Window Shade Bag
Shutter Release (2)	MA16J	Photo TV Stow-N-Go CTB
Shuttle Emergency Eyewash (SEE)/Drink Bag	MF71H	
Socket Extension, 5/16 in x 7 in	MD Ceiling	BAG G (Stbd 1)
01/25/10	FS 2-22	REF/130/FIN

<u>ITEM</u>	<u>LOCATION</u>	<u>NOTES</u>
S (Cont)		
Socket, 3/8 in	MF71C	
SODF	MF14E	
SODF	MF57E	
Spanner, Gap (9)	MD Ceiling	BAG G (Stbd 1)
Spotlight	MA73J	VOL 3B
SSP-1/SSP-2	L12	
SSV Compression Encoder	MF71O	
Stabilizer, TVIS	SEAT 7 Stowage Bag	
Subpack, Airway	MF14H	
Subpack, Drug	MF14H	
Subpack, EENT	MF14H	
Subpack, IV Administration	MF14H	
Subpack, New RAM (2)	MD Ceiling	BAG E (Port 1), CHECS
Subpack, Saline Supply	MF14H	
Subpack, Trauma	MF14H	
Supply Water Dump Line Purge Device	MA12B	Window Shade Bag, Water Equipment
Switch Guard, GPC	MF71H	
T		
Tape, Digital Video (171)	L10 Upper	
Tape, Digital Video (20)	A17	Core Camcorder Bag
Tape, Digital Video (26)	MA16J	
Tape, Gray, 1 in	MF71H	
Tape, Gray, 2 in	MF71H	
01/25/10	FS 2-23	REF/130/FIN

<u>ITEM</u>	<u>LOCATION</u>	<u>NOTES</u>
T (Cont)		
Tape, Gray, 2 in	MF71K	
Tape, Sony Video (14)	L10 Upper	
Terminator, 1553 (2)	MD Ceiling	BAG G (Stbd 1)
Tether Extension (2)	MD52C	VOL D
Tether, Adjustable Equip (AET) (16)	MD Ceiling	BAG G (Stbd 1)
Tether, Body Restraint	MF71C	
Tether, Retractable Equip (11)	A/L Floor Bag	
Tether, Safety, 85 ft (2)	A/L Floor Bag	
Tether, Waist	MF71C	
Tether, Waist (4)	A/L Floor Bag	
Thermal Blanket, EVA	A16	Camera Bag
Thermal Jacket, Ammonia Jumpers, Node 3	MD Floor	BAG D (Stbd 2)
Tie Wrap (10)	A16	PILOT Hand Controller
Tie Wrap (20)	MF71H	
Tie Wrap (40)	MF57C	
Tie Wrap (2)	A17	DTV Camcorder Bag
Tonopen	MF57G	
Tool, Cabin Fan Filter	MF14M	Vacuum Cleaner
Tool, Crevice	MF14M	Vacuum Cleaner
Tool, DDU Filter/Flex Modular	MF14M	Vacuum Cleaner
Tool, Flex Hose/Suction Hose	MF14M	Vacuum Cleaner
Tool, Hose Adapter	MF14M	Vacuum Cleaner
Towel (13)	MA4D	VOL B
Towel (ISS Ingress)	MF57M	
01/25/10	FS 2-24	REF/130/FIN

<u>ITEM</u>	<u>LOCATION</u>	<u>NOTES</u>
T (Cont)		
Towels (36)	WMC	
TRAD	MA9D/F	
Transmitter	ML60M	Ultrasonic Leak Detector
Trash Bag, Coffee Can (10 pkg)	WMC	
Trash Bag, Coffee Can (8 pkg)	MA4D	VOL B
Trash Bag, Wet	MD76M	VOL F
Trash Bag, WMC (Spare)	WMC	
Tray, Color Printer (2)	MA9L	
Tray, Meal	MF71K	
Turnbuckle (3)	MF14O	
TV Controller Unit	ML60B	
U		
Ultrasonic Leak Detector	ML60M	
UPA DA	MD Floor	BAG A (Port 1)
UPA FCPA	MD Ceiling	BAG E (Port 1)
Urinal Funnel, Female Oblong	WMC	
Urinal Funnel, Female Round	WMC	
Urinal Funnel, Male (6)	WMC	
Utility Closeout Panel (4)	MD Floor	BAG B (Port 2)

01/25/10

FS 2-25

REF/130/FIN

<u>ITEM</u>	<u>LOCATION</u>	<u>NOTES</u>
V		
Vacuum Cleaner	MF14M	
VIP	L10 Lower	
VIP	MD52C	VOL D
VLHS (2)	MF71K	Comm Kit
VPMP Panel Cover (2)	MA12B	Window Shade Bag
VPU	R12	
VPU Plug, Green	L10 Upper	
VTR	A17	DTV Camcorder Bag
VTR (w/Tape installed)	L10 Lower	
VTR w/Tape (2)	MA16J	Photo TV Stow-N-Go CTB
VTR, DSR-25	MD52C	VOL D
W		
Washcloth	MA9J	Color Printer
Washcloth (56)	MA4D	VOL B
Washcloths (32)	WMC	
Washer (6)	ML60B	
Water Dispenser, Contingency	MA12B	Window Shade Bag, Water Equipment
Water Equipment	MA12B	Window Shade Bag
WCS Tool	WMC	
Wet Wash ("Baby Wipes") (34 pkg)	MA4D	VOL B
Wet Wash ("Baby Wipes") (6 pkg)	WMC	
Window Shade, Aft (2)	MA12B	Window Shade Bag
Window Shade, Ovhd (2)	MA12B	Window Shade Bag
01/25/10	FS 2-26	REF/130/FIN

<u>ITEM</u>	<u>LOCATION</u>	<u>NOTES</u>
W (Cont)		
Window Shield, Ovhd (2)	MA12B	Window Shade Bag
Wipes, Disinfectant (2)	ML60B	
Wipes, Disinfectant (14 pkg)	MA4D	VOL B
Wipes, Disinfectant (3 pkg)	MF71H	
Wipes, Disinfectant (3 pkg)	WMC	
Wipes, Seal	MF57M	Docking Mechanism Accessory Kit
Wire Harness (7)	MD Ceiling	BAG F (Port 2), Node 3 VOK H/W
Wire Ties, EVA (28)	MD Ceiling	BAG G (Stbd 1)
Worklight (2)	MA16G	
Wrench, Torque	MD Floor	BAG B (Port 2)
Z		
Zero Filter	MF57M	CSA-CP
Ziplock Bag (15)	MF57K	GAP
Ziplock Bag, 12x12 (8)	MF71K	
Ziplock Bag, 13x18 (5)	MF71K	
Ziplock Bag, 13x18 (8)	MD80R	VOL G
Ziplock Bag, 24x24 (2)	MF71K	
Ziplock Bag, 24x24 in (6)	MA9N	
Ziplock Bag, 36x36 (4)	MD80R	VOL G
Ziplock Bag, 36x36 (4)	MF57M	
Ziplock Bag, 36x36 in (10)	MA9N	
Ziplock Bag, 8x8 (20)	MF71K	
01/25/10	FS 2-27	REF/130/FIN



This Page Intentionally Blank



FS 2-28

REF/130/FIN



FDF DOCUMENTATION STOWAGE

LAUNCH CONFIG – LOCKER..... FS 3-2
– ALPHABETICAL..... FS 3-3

FDF

FS 3-1

REF/130/FIN

FDF

**LAUNCH CONFIG – LOCKER
(EXCLUDES “CARRY-ON” ITEMS)**

R3A

Data Card Kit
ASC Data Cards
DEORB and ENT Data
Cards
ORBIT Data Cards
ORB OPS

R3F

ENT
ENT PKT
POST INSERTION
SYS AOA

C4A

Book Covers, Small Format (2)
FDF Accessory Kit 1
IDC Cue Card
LCS Cue Card
LDRI/ITVC Cue Card
ORB PKT
STAR Chart
WVS Cue Card

C4F

ENT
ENT PKT
POST INSERTION
SYS AOA

MF57E – 1/2 LOCKER

CD, EVA Procedures
CD-ROM Disc Set
CD, Crew Systems
Reference
CD, ISS Ext Images
CD, Landing Sites
CD, Payload Bay Closeout
Photos
CD, PILOT
CD, STS-130 FDF Books
DVD, A31p OCA Router
Reload
DVD, A31p STS PGSC
Reload
DAP Covers (2)
Disk Sleeve Unit
Disk Stowage Bags (2)
(Ziplock w/Velcro)
Thumbdrive (6)

MF57E – 1/2 LOCKER

(Cont)
EVA
EVA Cue Card Kit
EVA Cuff Kit
EVA Cuff C/L (2)
FDF Accessory Kit 2
Hard Drive – A31p OCA
Router Load
Hard Drive – A31p STS Load
IFM
MAL (Vols I and II)
MED
Nomex Message Folder (2)
Ultrabay Adapter

MF43E – FULL LOCKER

DEORBIT PREP (4)
Flight Deck Stowage Bag 1
Book Clip, Gold (6)
Clamp, Book (5)
CONT DEORB (2)
ORB OPS (3)
ORB PKT
PHOTO TV

MF43E – FULL LOCKER

(Cont)
Flight Deck Stowage Bag 2
Book Clip, Gold (6)
Clamp, Book (5)
Drafting Dots (20)
FLIGHT PLAN (2)
PDRS OPS
REF
Middeck Cue Card Kit
Overlay Kit
PDRS OPS (2)
PHOTO TV (2)
PHOTO TV Cue Card Kit
RNDZ (4)
RNDZ Cue Card Kit
RNDZ Overlay Kit
Video Setup Cue Card

01/21/10

FS 3-2

REF/130/FIN

LAUNCH CONFIG – ALPHABETICAL

ITEM NAME	QTY	STOWAGE LOCATION		
A31P PGSC Camera A/D Range Ruler Cue Card	1	MF43E	RNDZ Cue Card Kit	RNDZ Overlay Kit
A31P PGSC Display of C/L Camera Corridor and Alignment Cue Card	1	MF43E	RNDZ Cue Card Kit	RNDZ Overlay Kit
ADI Error/Rate Switch (ASC) ADI Error/Rate Switch (ENT) Cue Card	1	CARRY-ON	CDR	Ascent Cards
ADI Error/Rate Switch (ASC) ADI Error/Rate Switch (ENT) Cue Card	1	CARRY-ON	PLT	Ascent Cards
AFT Flight Deck Reconfiguration Cue Card	1	CARRY-ON	MS2	
Airway (ILMA) Cue Card	1	FDI Flown in other locations	MED SOMS Kit	
Analog Playback Cue Card	1	MF43E	Photo TV Cue Card Kit	
AOA Deorbit Burn (2 Eng) AOA Deorbit Burn (1 Eng) Cue Card	2	R3A	Data Card Kit	Ascent Data Cards
AOA Deorbit Burn (RCS) Cue Card	2	R3A	Data Card Kit	Ascent Data Cards
APCL procedure DEORBIT MIXED XFD BURN PREP (page 7-6)	1	CARRY-ON	CDR	
Approach VBAR Approach Cue Card	3	MF43E	RNDZ Cue Card Kit	
ASC C/L	1	CARRY-ON	CDR	
ASC C/L	1	CARRY-ON	MS1	

01/21/10

FS 3-3

REF/130/FIN

LAUNCH CONFIG – ALPHABETICAL (Cont)

ITEM NAME	QTY	STOWAGE LOCATION		
ASC C/L	1	CARRY-ON	MS2	
ASC C/L	1	CARRY-ON	PLT	
ASC Data Cards	1	R3A	Data Card Kit	
ASC PKT C/L	1	CARRY-ON	CDR	
ASC PKT C/L	1	CARRY-ON	MS1	
ASC PKT C/L	1	CARRY-ON	MS2	
ASC PKT C/L	1	CARRY-ON	PLT	
Ascent ADI – Nominal Entry Alpha – KSC 15 Cue Card	1	CARRY-ON	CDR	Ascent Cards
Ascent ADI – Nominal Entry Alpha – KSC 15 Cue Card	1	CARRY-ON	PLT	Ascent Cards
Ascent Flip Book	1	CARRY-ON	CDR	
Ascent Flip Book	1	CARRY-ON	PLT	
Ascent Flip Book Support	1	CARRY-ON	CDR	
Ascent Flip Book Support	1	CARRY-ON	PLT	
Ascent/Abort Summary Cue Card	1	CARRY-ON	CDR	Ascent Cards
Ascent/Abort Summary Cue Card	1	CARRY-ON	MS1	
Ascent/Abort Summary Cue Card	1	CARRY-ON	PLT	Ascent Cards
Ascent/Entry Spec Cue Card	1	CARRY-ON	CDR	Ascent Cards
Binder Clip, Black	6	MF57E	FDI Accessory Kit 2	
Binder Rings, Metal	3	MF57E	FDI Accessory Kit 2	

01/21/10

FS 3-4

REF/130/FIN

LAUNCH CONFIG – ALPHABETICAL (Cont)

ITEM NAME	QTY	STOWAGE LOCATION		
Binder Rings, Nylon	12	MF57E	FDF Accessory Kit 2	
Book Clip, Gold	2	C4A	FDF Accessory Kit 1	
Book Clip, Gold	2	MF43E	FD Stowage Bag 1	Pocket D
Book Clip, Gold	2	MF43E	FD Stowage Bag 1	Pocket E
Book Clip, Gold	2	MF43E	FD Stowage Bag 1	Pocket F
Book Clip, Gold	2	MF43E	FD Stowage Bag 2	Pocket D
Book Clip, Gold	2	MF43E	FD Stowage Bag 2	Pocket E
Book Clip, Gold	2	MF43E	FD Stowage Bag 2	Pocket F
Book Clip, Gold	4	MF57E	FDF Accessory Kit 2	
Book Covers, Large Format	2	CARRY-ON	MS1	
Book Covers, Small Format	2	C4A		
C/L Camera Corridor and Alignment Cue Card	1	MF43E	RNDZ Cue Card Kit	RNDZ Overlay Kit
C/L Camera Target Alignment (+Vbar) Cue Card	2	MF43E	RNDZ Cue Card Kit	
C/L Camera Zoom Calibration (Ring Ready For Dock) Cue Card	1	MF43E	RNDZ Cue Card Kit	RNDZ Overlay Kit
Cable Ties w/Tags	6	MF57E	FDF Accessory Kit 2	
Camera A/D Range Ruler Cue Card	1	MF43E	RNDZ Cue Card Kit	RNDZ Overlay Kit
CD, Crew Systems Reference	1	MF57E	CD-ROM Disc Set	
CD, EVA Procedures	1	MF57E	MS3	

01/21/10

FS 3-5

REF/130/FIN

LAUNCH CONFIG – ALPHABETICAL (Cont)

ITEM NAME	QTY	STOWAGE LOCATION		
CD, EVA Procedures	1	FD Flown in other locations	Ziplock labeled 'STS-130 EVA'	MS4
CD, ISS Ext Images	1	MF57E	CD-ROM Disc Set	
CD, Landing Sites	1	MF57E	CD-ROM Disc Set	
CD, Payload Bay Closeout Photos	1	MF57E	CD-ROM Disc Set	
CD, PILOT	1	MF57E	CD-ROM Disc Set	
CD, STS-130 FDF Books	1	MF57E	CD-ROM Disc Set	
CDR Window Flip Book	1	CARRY-ON	CDR	
CD-ROM Disc Set	1	MF57E		
Clamp, Book	5	MF43E	FD Stowage Bag 1	Pocket B
Clamp, Book	5	MF43E	FD Stowage Bag 2	Pocket B
Clamp, Book	3	MF57E	FDF Accessory Kit 2	
Cont Abort RTLS Cont Cue Card	1	CARRY-ON	CDR	Wedge
Cont Abort RTLS Cont Cue Card	1	CARRY-ON	MS1	
Cont Abort RTLS Cont Cue Card	1	CARRY-ON	MS2	
Cont Abort RTLS Cont Cue Card	1	CARRY-ON	PLT	Wedge
CONT DEORB	2	MF43E	FD Stowage Bag 1	Pocket C
Crew Notebook	1	CARRY-ON	CDR	

01/21/10

FS 3-6

REF/130/FIN

LAUNCH CONFIG – ALPHABETICAL (Cont)

ITEM NAME	QTY	STOWAGE LOCATION		
Crew Notebook	1	CARRY-ON	MS1	
Crew Notebook	1	CARRY-ON	MS2	
Crew Notebook	1	CARRY-ON	MS3	
Crew Notebook	1	CARRY-ON	MS4	
Crew Notebook	1	CARRY-ON	PLT	
D/O & Entry Data Cards	1	R3A	Data Card Kit	
D/O Burn (2 Eng) D/O Burn (1 Eng) Cue Card	1	R3A	Data Card Kit	D/O & Entry Data Cards/ CDR Pouch
D/O Burn (2 Eng) D/O Burn (1 Eng) Cue Card	1	R3A	Data Card Kit	D/O & Entry Data Cards/ CDR Pouch
D/O Burn (RCS) Cue Card	1	R3A	Data Card Kit	D/O & Entry Data Cards/ CDR Pouch
D/O Burn (RCS) Cue Card	1	R3A	Data Card Kit	D/O & Entry Data Cards/ CDR Pouch
D/O Burn Flight Rules Cue Card	1	R3A	Data Card Kit	D/O & Entry Data Cards/ CDR Pouch
D/O Burn Flight Rules Cue Card	1	R3A	Data Card Kit	D/O & Entry Data Cards/ CDR Pouch
D/O Burn Monitor OMS Failures Cue Card	1	R3A	Data Card Kit	D/O & Entry Data Cards/ CDR Pouch
D/O Burn Monitor OMS Failures Cue Card	1	R3A	Data Card Kit	D/O & Entry Data Cards/ CDR Pouch
D2Xs Setup Cue Card	1	MF43E	Photo TV Cue Card Kit	

01/21/10

FS 3-7

REF/130/FIN

LAUNCH CONFIG – ALPHABETICAL (Cont)

ITEM NAME	QTY	STOWAGE LOCATION		
DAP Covers	2	MF57E		
Data Card Kit	1	R3A		
DEORB PREP	4	MF43E		
Depress/Repress-Nom Failed Leak Check Cue Card	2	MF57E	EVA Cue Card Kit	
Digital Playback Cue Card	1	CARRY-ON	CDR	
Disk Sleeve Unit	1	MF57E		
Disk Stowage Bags (Ziplock w/Velcro)	2	MF57E	Disk Sleeve Unit	
Docking Sequence Cue Card	2	MF43E	RNDZ Cue Card Kit	
Drafting Dots	20	C4A	FDF Accessory Kit 1	
Drafting Dots	20	MF43E	FD Stowage Bag 2	Pocket B
Drafting Dots	20	MF43E	RNDZ Cue Card Kit	RNDZ Overlay Kit
Drafting Dots	20	MF57E	FDF Accessory Kit 2	
DVD, A31p OCA Router Reload	1	MF57E	CD-ROM Disc Set	
DVD, A31p STS PGSC Reload	1	MF57E	CD-ROM Disc Set	
Emergency Egress (Oversized) Cue Card	1	CARRY-ON		
Emergency Egress ACES Troubleshooting Cue Card	1	CARRY-ON	MS1	
Emergency Egress ACES Troubleshooting Cue Card	1	CARRY-ON	MS2	

01/21/10

FS 3-8

REF/130/FIN

LAUNCH CONFIG – ALPHABETICAL (Cont)

ITEM NAME	QTY	STOWAGE LOCATION		
Emergency Egress ACES Troubleshooting Cue Card	2	CARRY-ON		
Emergency Undocking EVA Transfer/ Expedited Suit Doffing Cue Card	1	FDF Flown in other locations	Ziplock labeled 'STS-130 EVA'	
ENT C/L	1	C4F		
ENT C/L	1	CARRY-ON	MS1	
ENT C/L	1	CARRY-ON	MS2	
ENT C/L	1	R3F		
ENT PKT C/L	1	C4F		
ENT PKT C/L	1	CARRY-ON	MS1	
ENT PKT C/L	1	CARRY-ON	MS2	
ENT PKT C/L	1	R3F		
Entry Control High Freq OSC or Surf/Jet Cyc Cue Card	1	CARRY-ON	CDR	Wedge
Entry Control High Freq OSC or Surf/Jet Cyc Cue Card	1	CARRY-ON	PLT	Wedge
Entry Maneuvers Cue Card	1	CARRY-ON	CDR	Wedge
Entry Maneuvers Cue Card	1	CARRY-ON	PLT	Wedge
Entry No-Go C/L Emergency Egress Cue Card	2	R3A	Data Card Kit	D/O & Entry Data Cards

01/21/10

FS 3-9

REF/130/FIN

LAUNCH CONFIG – ALPHABETICAL (Cont)

ITEM NAME	QTY	STOWAGE LOCATION		
Eraser	1	C4A	FDF Accessory Kit 1	
Eraser	1	MF57E	FDF Accessory Kit 2	
Ergometer Cue Card	1	FDF Flown in other locations	Shoe Bag	
Escape Panel Egress Cue Card	1	CARRY-ON	MS2	
ET Photo Cue Card	2	CARRY-ON	MS2	
ET Sep Cue Card	1	CARRY-ON	PLT	Ascent Cards
EVA C/L	1	FDF Flown in other locations	Ziplock labeled 'STS-130 EVA'	
EVA C/L	1	MF57E		
EVA Cue Card Kit	1	MF57E		
EVA Cuff C/L	2	MF57E	EVA Cuff Kit	
EVA Cuff Kit	1	MF57E		
EVA QD OPS Cue Card	1	MF57E	EVA Cue Card Kit	
FD Stowage Bag 1	1	MF43E		
FD Stowage Bag 2	1	MF43E		
FDF Accessory Kit 1	1	C4A		
FDF Accessory Kit 2	1	MF57E		
Fire/Smoke (A/E) Fire/Smoke (Orbit) OV105 Cue Card	1	CARRY-ON	CDR	Ascent Cards
Flight SUB ANG Ruler Cue Card	1	MF43E	RNDZ Cue Card Kit	RNDZ Overlay Kit

01/21/10

FS 3-10

REF/130/FIN

LAUNCH CONFIG – ALPHABETICAL (Cont)

ITEM NAME	QTY	STOWAGE LOCATION		
FLT PLN	1	MF43E	FD Stowage Bag 2	Pocket C
FLT PLN	1	MF43E	FD Stowage Bag 2	Pocket C
FMI TAL Redesignation ECAL-ZZA or MRN or FMI Prime TAL Cue Card	1	CARRY-ON	MS1	
Galley Iodine Removal Assembly (GIRA) Installation CWC (Contingency Water Container) Fill Cue Card	1	CARRY-ON		
Generic End Effector – Shuttle Not Docked Ops Generic End Effector – ISS/Shuttle Docked Ops Cue Card	1	MF43E	FD Stowage Bag 2	Pocket B
GPC/FCS Channel Config Cue Card	1	CARRY-ON	PLT	Ascent Cards
GPC/MDM Failure Response RNDZ Ref Data Cue Card	2	MF43E	RNDZ Cue Card Kit	
Grease Pencil, Black	1	C4A	FDF Accessory Kit 1	
Grease Pencil, Red	1	C4A	FDF Accessory Kit 1	
Hard Drive, A31p OCA Router Load	1	MF57E		
Hard Drive, A31p STS Load	1	MF57E		
Hazard Spill Response – Orbiter Cue Card	1	MF43E	Middeck Cue Card Kit	
Highlighter, Narrow Tip, Blue	2	MF57E	FDF Accessory Kit 2	

01/21/10

FS 3-11

REF/130/FIN

LAUNCH CONFIG – ALPHABETICAL (Cont)

ITEM NAME	QTY	STOWAGE LOCATION		
Highlighter, Narrow Tip, Green	2	MF57E	FDF Accessory Kit 2	
Highlighter, Narrow Tip, Yellow	2	MF57E	FDF Accessory Kit 2	
IDC Cue Card	1	C4A		
IFM C/L	1	MF57E		
KU Antenna Overlay Cue Card	1	MF43E	Overlay Kit	
KU OPS Cue Card	1	R3A	Data Card Kit	Orbit Data Cards
LCS Cue Card	1	C4A		
LDRI/ITVC A7 PLACARD Cue Card	1	CARRY-ON	MS2	
LDRI/ITVC Cue Card	1	C4A		
Leaking OMS Prplt/He Burn Cue Card	2	R3A	Data Card Kit	Orbit Data Cards
LiOH Changeout LiOH Canister Stowage Locations Cue Card	1	CARRY-ON		
LOC/Breakup Cue Card	1	CARRY-ON	CDR	
LOC/Breakup Cue Card	1	CARRY-ON	MS1	
LOC/Breakup Cue Card	1	CARRY-ON	MS2	
LOC/Breakup Cue Card	1	CARRY-ON	PLT	
LOC/Breakup Cue Card	2	CARRY-ON		
MAL	1	MF57E		
MAPS	1	CARRY-ON	MS1	
MAUI – RCS Firing Sequence Cue Card	2	R3A	Data Card Kit	Orbit Data Cards

01/21/10

FS 3-12

REF/130/FIN

LAUNCH CONFIG – ALPHABETICAL (Cont)

ITEM NAME	QTY	STOWAGE LOCATION		
Mechanical Pencil	4	C4A	FDF Accessory Kit 1	
Mechanical Pencil	8	MF57E	FDF Accessory Kit 2	
MED	1	MF57E		
Media Allocations Cue Card	1	MF43E	Photo TV Cue Card Kit	
Medication Data Log Cue Card	1	FDF Flown in other locations	MED SOMS Kit	
Middeck Cue Card Kit	1	MF43E		
Middeck Reconfiguration Cue Card	1	CARRY-ON		
MN C-DC Utility Power MO63P Cue Card	1	CARRY-ON		
MPS 1 Cue Card	1	CARRY-ON	PLT	Ascent Cards
MPS 2 Cue Card	1	CARRY-ON	CDR	
MPS 2 Cue Card	1	CARRY-ON	MS1	
MPS 2 Cue Card	1	CARRY-ON	MS2	
MPS 2 Cue Card	1	CARRY-ON	PLT	Ascent Cards
MPS He P (Pre MECO)/MPS PNEU TK (Reg) P Cue Card	1	CARRY-ON	PLT	Ascent Cards
MRN TAL Redesignation ECAL-ZZA or MRN or FMI Prime TAL Cue Card	1	CARRY-ON	MS1	
MS Middeck Activities Cue Card	1	MF43E	Middeck Cue Card Kit	
MS Middeck Backout Activities Cue Card	1	MF43E	Middeck Cue Card Kit	

01/21/10

FS 3-13

REF/130/FIN

LAUNCH CONFIG – ALPHABETICAL (Cont)

ITEM NAME	QTY	STOWAGE LOCATION		
Nomex Message Folder	2	MF57E		
OBSS LDRI/ITVC Grid Overlay Cue Card	2	MF43E	FD Stowage Bag 2	Pocket B
OBSS Scan Pattern Cue Card – STBD & Port OBSS Scan Pattern Cue Card – Nose Cap Cue Card	1	MF43E	FD Stowage Bag 2	Pocket B
OBSS Scan Pattern Cue Card – Wing Glove & Crew Cabin Cue Card	1	MF43E	FD Stowage Bag 2	Pocket B
OBSS SJ Grapple at Handoff Cue Card	1	MF43E	FD Stowage Bag 2	Pocket B
ODS Volume Fire/Smoke Cue Card	1	MF43E	Middeck Cue Card Kit	
OMS 2 Burn Monitor OMS Failures Cue Card	1	CARRY-ON	CDR	Wedge
OMS 2 Burn Monitor OMS Failures Cue Card	1	CARRY-ON	PLT	Wedge
OMS 2/Orbit OMS Burns OPS 1 RCS Burn Cue Card	1	CARRY-ON	CDR	Wedge
OMS 2/Orbit OMS Burns OPS 1 RCS Burn Cue Card	1	CARRY-ON	PLT	Wedge
OPS 1/6/TAL Transition Restrung Post OPS 3 GRTLS Transition Restrung Cue Card	1	CARRY-ON	CDR	Ascent Cards

01/21/10

FS 3-14

REF/130/FIN

LAUNCH CONFIG – ALPHABETICAL (Cont)

ITEM NAME	QTY	STOWAGE LOCATION		
OPS 1/6/TAL Transition Restrिंग Post OPS 3 GRTLS Transition Restrिंग Cue Card	1	CARRY-ON	MS2	
ORB OPS C/L	1	MF43E	FD Stowage Bag 1	Pocket A
ORB OPS C/L	1	MF43E	FD Stowage Bag 1	Pocket B
ORB OPS C/L	1	R3A		
ORB OPS C/L (Large Format, Partial)	1	MF43E	FD Stowage Bag 1	Pocket B
ORB PKT C/L	1	C4A		
ORB PKT C/L	1	MF43E	FD Stowage Bag 1	Pocket A
Orbit Burn Monitor OMS Failures Cue Card	2	R3A	Data Card Kit	Orbit Data Cards
ORBIT Data Cards	1	R3A	Data Card Kit	
Orbit Spec (R11) Primary C/W Parameter Matrix Cue Card	1	R3A	Data Card Kit	Orbit Data Cards
Overlay Kit	1	MF43E		
Panel R14 – OV105 Only Cue Card	1	CARRY-ON	MS1	
PCMCIA Hard Disk – Late Updates	1	CARRY-ON	MS2	
PCMCIA Hard Disk – Late Updates	1	CARRY-ON	MS4	
PDRS OPS C/L	1	MF43E	FD Stowage Bag 2	Pocket B
PDRS OPS C/L	2	MF43E		
PDRS Target Overlay for CTVM Cue Card	2	MF43E	FD Stowage Bag 2	Pocket B

01/21/10

FS 3-15

REF/130/FIN

LAUNCH CONFIG – ALPHABETICAL (Cont)

ITEM NAME	QTY	STOWAGE LOCATION		
Photo Grid Overlay Cue Card	1	MF43E	Overlay Kit	
Photo TV Cue Card Kit	1	MF43E		
PHOTO/TV C/L	1	MF43E	FD Stowage Bag 1	Pocket B
PHOTO/TV C/L	2	MF43E		
PLBD VTR Recording Cue Card	1	CARRY-ON		
PLT Overhead Flip Book	1	CARRY-ON	PLT	
PLT Window Flip Book	1	CARRY-ON	PLT	
POST INSERTION	1	C4F		
POST INSERTION	1	CARRY-ON	MS1	
POST INSERTION	1	CARRY-ON	MS2	
POST INSERTION	1	R3F		
Post-It Notes (1.5 x 2)	1	MF57E	FDF Accessory Kit 2	
Post-It Notes (3 x 3)	1	MF57E	FDF Accessory Kit 2	
Post-It Notes (3 x 5)	1	MF57E	FDF Accessory Kit 2	
Post-It Tape Tabs	6	MF57E	FDF Accessory Kit 2	
Power Cue Card	1	CARRY-ON	PLT	Ascent Cards
RCS Burn (+X, -X, Multi-axis) Rendezvous Prplt Pad Cue Card	2	R3A	Data Card Kit	Orbit Data Cards
RCS Failure Response During Prox Ops RCS/DPS/EPS Failure Impacts Cue Card	1	MF43E	RNDZ Cue Card Kit	
REF	1	MF43E	FD Stowage Bag 2	Pocket A

01/21/10

FS 3-16

REF/130/FIN

LAUNCH CONFIG – ALPHABETICAL (Cont)

ITEM NAME	QTY	STOWAGE LOCATION		
Resuscitator Cue Card	1	FDF Flown in other locations	MED SOMS Kit	
RNDZ	4	MF43E		
RNDZ Cue Card Kit	1	MF43E		
RNDZ Overlay Kit	1	MF43E	RNDZ Cue Card Kit	
Rubber Band Kit	1	C4A	FDF Accessory Kit 1	
SAFER Checkout Results/SAFER Status Troubleshooting Cue Card	1	FDF Flown in other locations	SAFER	
Sharpie, Fine Point, Black	1	C4A	FDF Accessory Kit 1	
Sharpie, Fine Point, Black	1	MF57E	FDF Accessory Kit 2	
Sharpie, Fine Point, Blue	1	MF57E	FDF Accessory Kit 2	
Sharpie, Fine Point, Red	1	MF57E	FDF Accessory Kit 2	
Speed Brake Command Cue Card	1	CARRY-ON	CDR	Ascent Cards
Speed Brake Command Cue Card	1	CARRY-ON	PLT	Ascent Cards
Star Chart	1	C4A		
Stevie Ray's Bus Card Cue Card	1	CARRY-ON	MS2	
Stopwatch RDOT Conversion Cue Card	1	MF43E	RNDZ Cue Card Kit	
STS-130 Consumables Cue Card	1	MF43E	Middeck Cue Card Kit	
STS-130 Consumables Tracking/ STS-130 Battery Recharge Cue Card	1	FDF Flown in other locations	Ziplock labeled 'STS-130 EVA'	
STS-130 DAP Configurations Cue Card	1	R3A	Data Card Kit	Orbit Data Cards
Switch Caps	10	C4A	FDF Accessory Kit 1	

01/21/10

FS 3-17

REF/130/FIN

LAUNCH CONFIG – ALPHABETICAL (Cont)

ITEM NAME	QTY	STOWAGE LOCATION		
Switch Caps	10	MF57E	FDF Accessory Kit 2	
SYS AOA	1	C4F		
SYS AOA	1	CARRY-ON	MS2	
SYS AOA	1	R3F		
Tape Dispenser w/Tape	1	MF57E	FDF Accessory Kit 2	
Tether, Short, 12"	16	MF57E	FDF Accessory Kit 2	
Thumb Drive	6	MF57E	Disk Sleeve Unit	
Transparent Tape	1	MF57E	FDF Accessory Kit 2	
TV Cue Card	1	CARRY-ON	MS2	
Ultrabay Adapter	1	MF57E		
Unbal Prop D/O Burn Unbal Prop D/O Burn (Mxd Xfd) Cue Card	1	R3A	Data Card Kit	D/O & Entry Data Cards/CDR Pouch
Unbal Prop D/O Burn Unbal Prop D/O Burn (Mxd Xfd) Cue Card	1	R3A	Data Card Kit	D/O & Entry Data Cards/PLT Pouch
Urine Collection (w/o UMS) Cont Waste Collection – UCD/Apollo Bag Cue Card	1	CARRY-ON		
Urine Pretreat Changeout Urine Pretreat Setup Cue Card	1	CARRY-ON		
V10 Monitor Corridor Cue Card	1	MF43E	RNDZ Cue Card Kit	RNDZ Overlay Kit

01/21/10

FS 3-18

REF/130/FIN

LAUNCH CONFIG – ALPHABETICAL (Cont)

ITEM NAME	QTY	STOWAGE LOCATION		
Velcro, Hook (Yellow 2 x 2)	5	C4A	FDF Accessory Kit 1	
Velcro, Hook (Yellow 2 x 2)	15	MF57E	FDF Accessory Kit 2	
Velcro, Pile (Yellow 2 x 2)	5	C4A	FDF Accessory Kit 1	
Velcro, Pile (Yellow 2 x 2)	15	MF57E	FDF Accessory Kit 2	
Video Setup Cue Card	1	CARRY-ON		
Video Setup Cue Card	1	MF43E		
Wedge	1	CARRY-ON	CDR	
Wedge	1	CARRY-ON	PLT	
WLES Config After PGSC Reboot Cue Card	2	CARRY-ON	MS2	
WVS Cue Card	1	C4A		
Yellow Dots	1	C4A	FDF Accessory Kit 1	
Yellow Dots	1	MF57E	FDF Accessory Kit 2	
Yellow Tape	1	MF57E	FDF Accessory Kit 2	
ZZA TAL Redesignation ECAL-ZZA or MRN or FMI Prime TAL Cue Card	1	CARRY-ON	MS1	

01/21/10

FS 3-19

REF/130/FIN



This Page Intentionally Blank



FS 3-20

REF/130/FIN



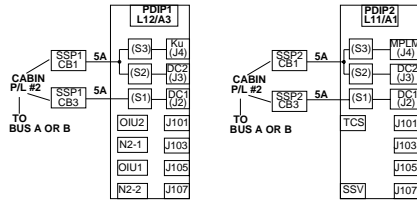
UTILITY OUTLET PLUG-IN PLAN

PWR: PANEL REFERENCE	
FLT DECK.....	FS 4-2
MIDDECK.....	FS 4-3
PWR/DATA/VIDEO: PRE-ROUTED CONFIG	
FLT DECK.....	FS 4-4
MIDDECK.....	FS 4-5
PWR/DATA/VIDEO: ASCENT CONFIG	
FLT DECK.....	FS 4-6
MIDDECK.....	FS 4-7
PWR/DATA/VIDEO: ENTRY CONFIG	
FLT DECK.....	FS 4-8
MIDDECK.....	FS 4-9
PWR: ON-ORBIT CONFIG	
FLT DECK.....	FS 4-10
MIDDECK.....	FS 4-11
PWR: CREW RESCUE COOLING CONFIG	
FLT DECK.....	FS 4-12
MIDDECK.....	FS 4-13

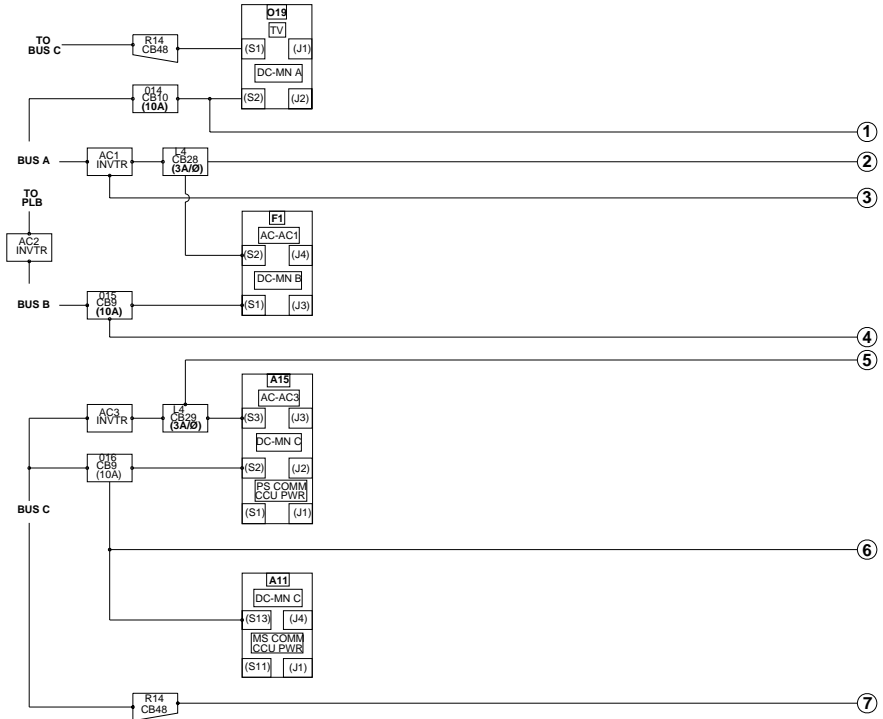
UTIL
PWR

PWR: PANEL REFERENCE – FLT DECK

REV B
01/25/10

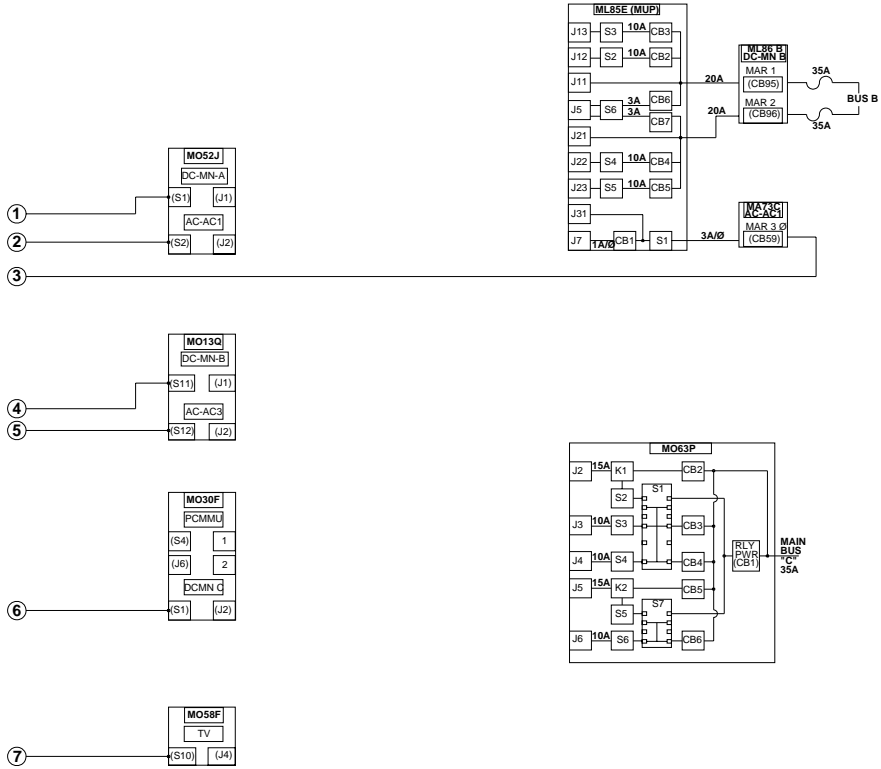


UTIL
PWR

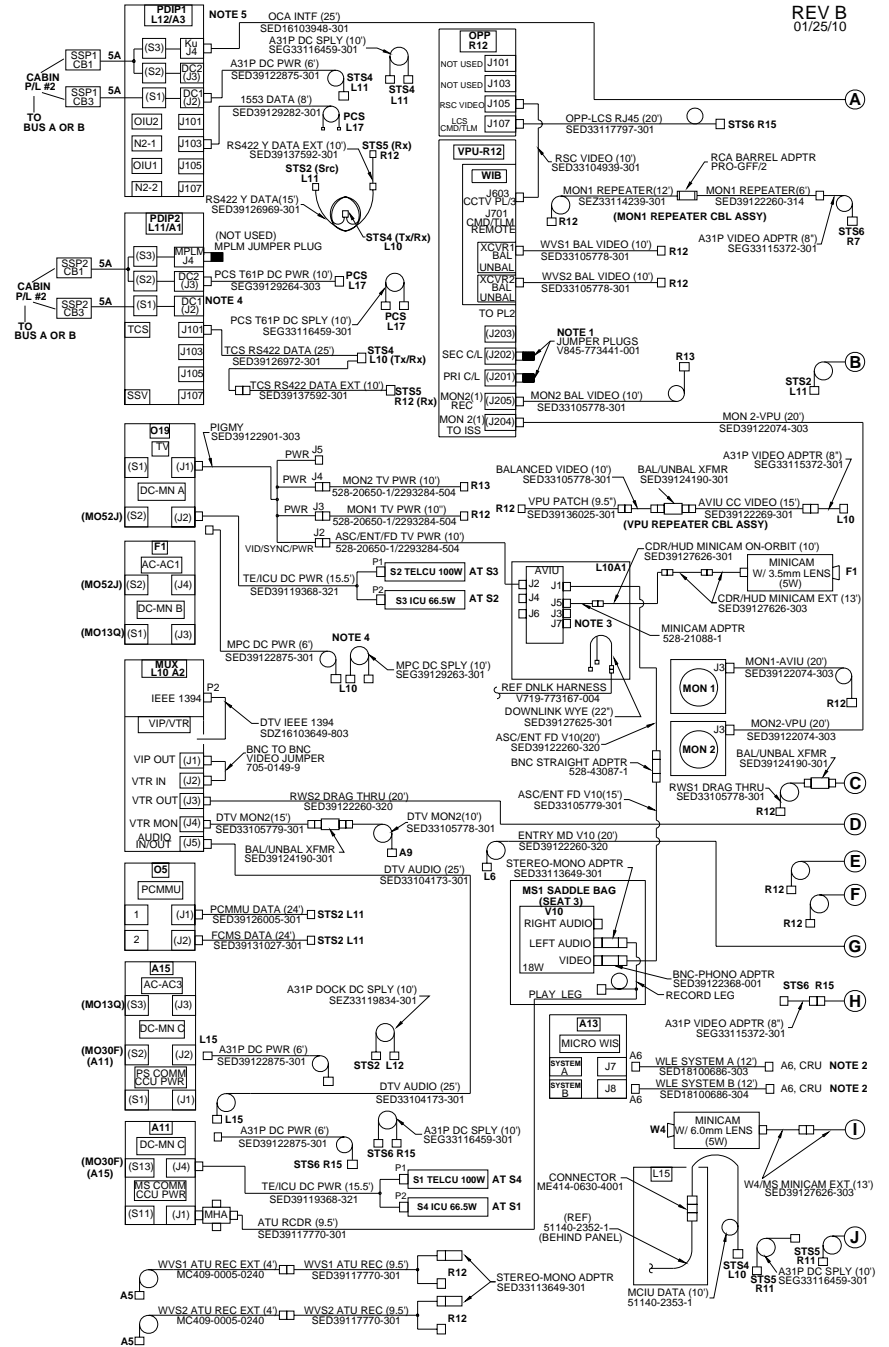


PWR: PANEL REFERENCE – MIDDECK

REV B
01/25/10



PWR/DATA/VIDEO: PRE-ROUTED CONFIG – FLT DECK I

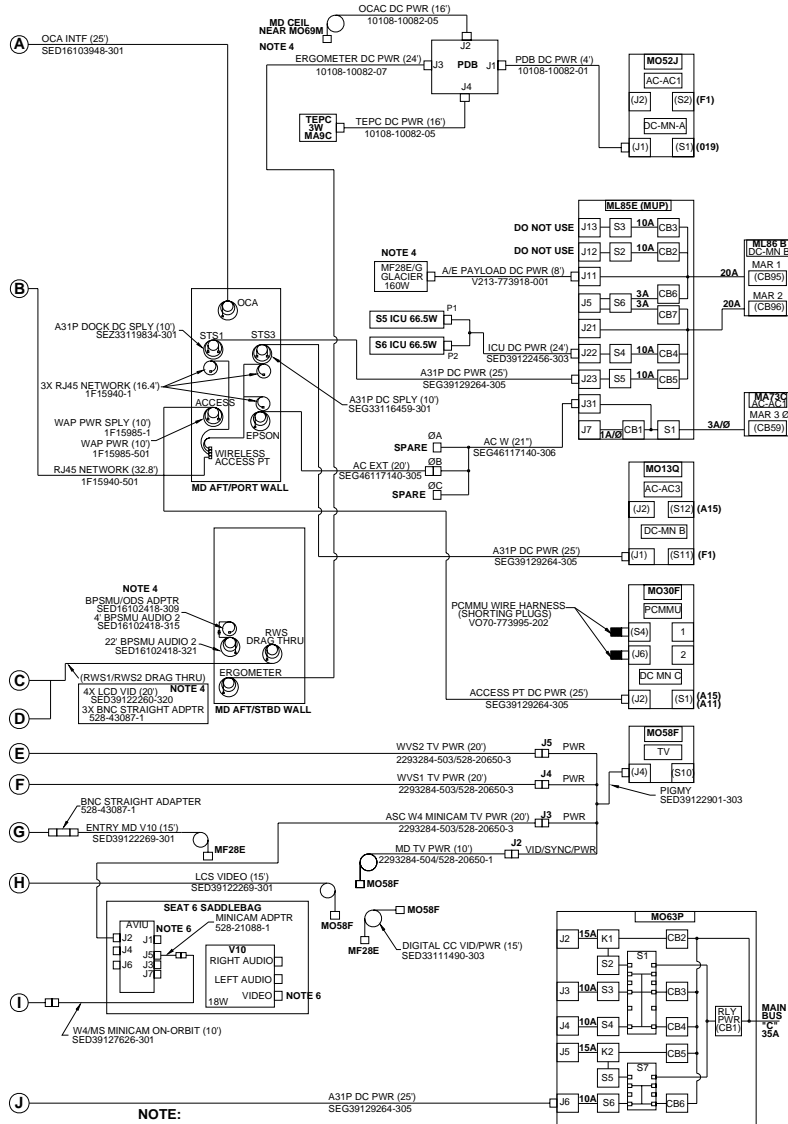


FS 4-4

REF/130/FIN X

PWR/DATA/VIDEO: PRE-ROUTED CONFIG – MIDDECK

REV B
01/25/10



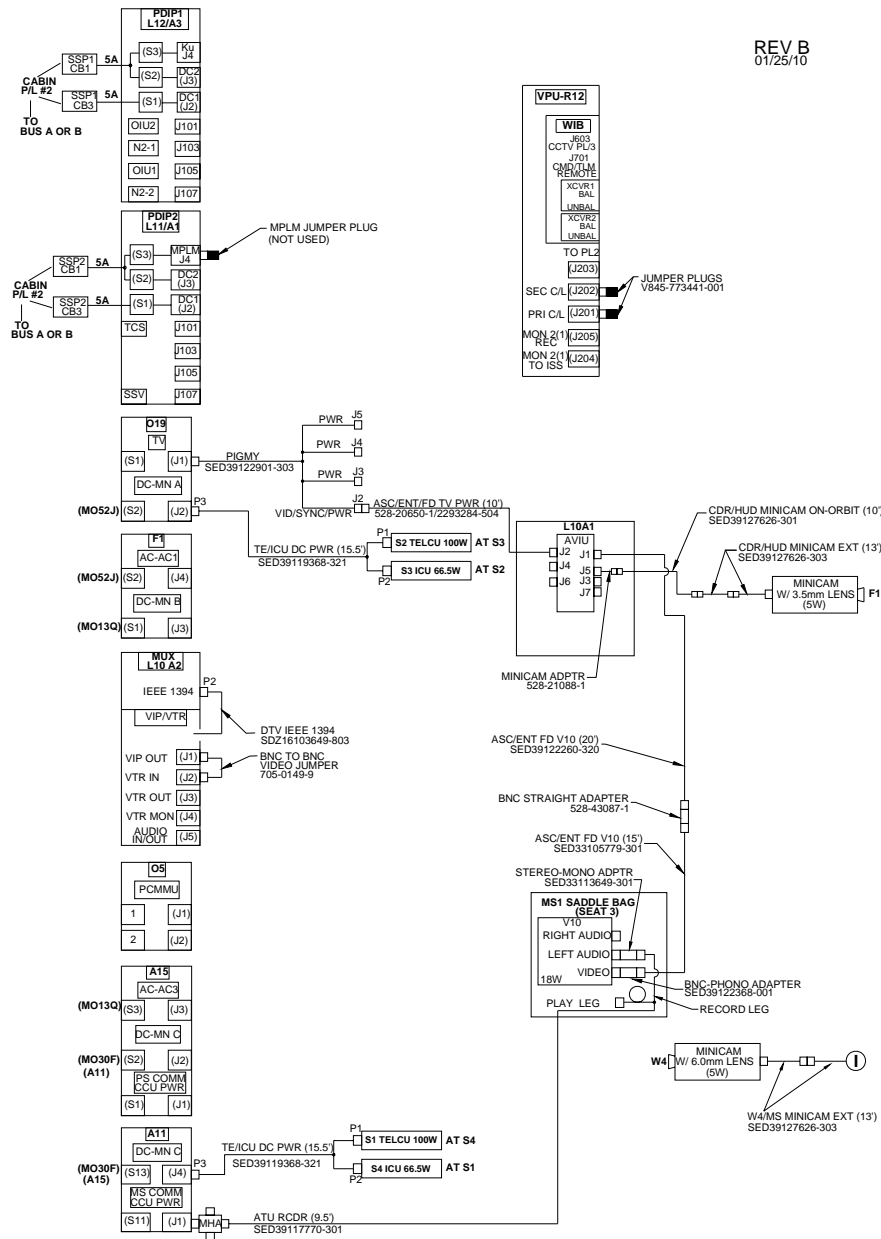
- NOTE:**
1. GREEN JUMPER INSERTED AT VPU LDRI/ITVC CONNECTOR
 2. NO PHYSICAL CONNECTION BETWEEN WLES CABLES AND CABIN RELAY UNIT (CRU)
 3. A DIGITAL CC VID CABLE WILL BE CONNECTED TO J3 OF THE AVIU AND STOWED IN L10A1
 4. POWERED PAYLOADS, BPSMU, PCS, MPC, DRAG THRU CABLES AND ERGOMETER WILL NOT BE FLOWN ON LON FLIGHTS. ALL ASSOCIATED CABLES WILL BE REMOVED FROM THE FLIGHT.
 5. OCA HAS ADDITIONAL CONNECTIONS AT DTV (P3 & P4)
 6. SEAT 6 FDF BAG AVIU/CM CC VID CBL (15') CONNECTED TO AVIU J1 PORT AND V10 VIDEO IN PORT.

FS 4-5

REF/130/FIN X

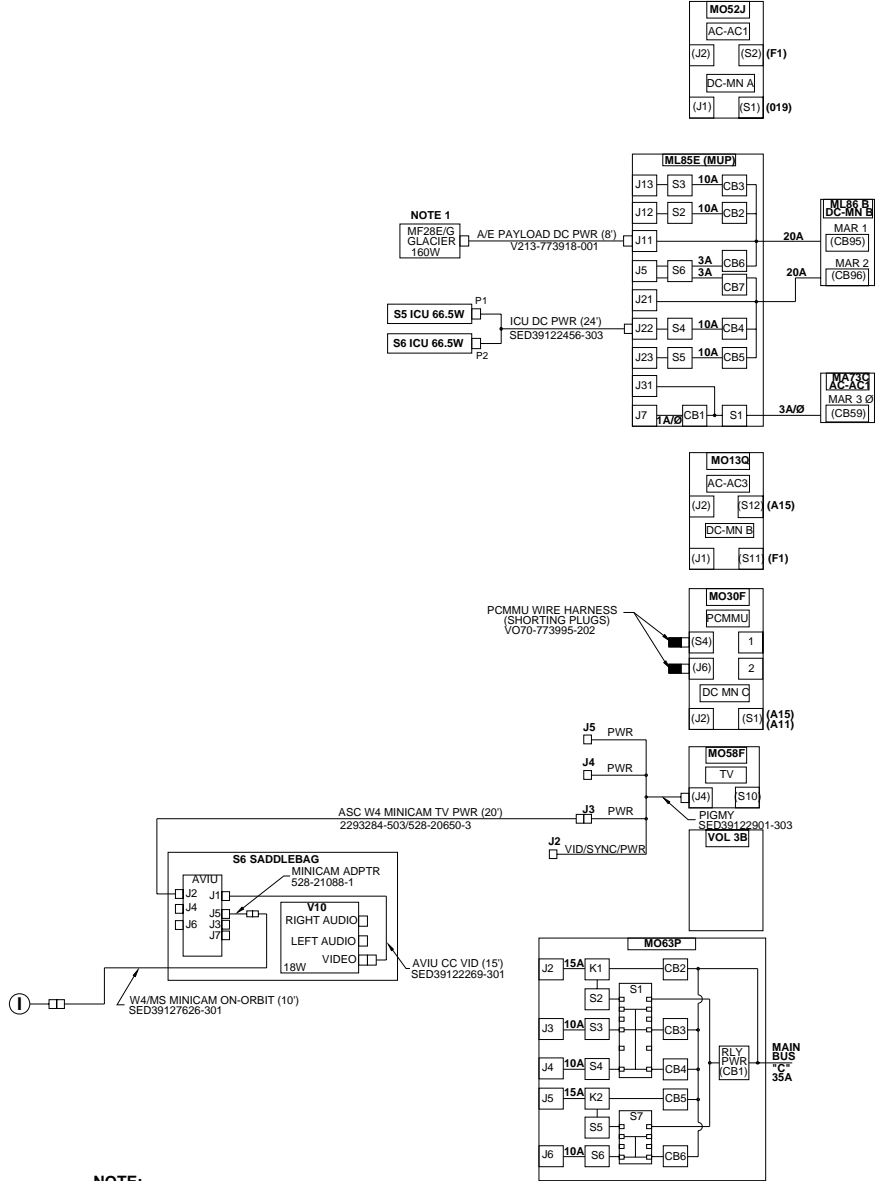
PWR/DATA/VIDEO: ASCENT CONFIG – FLT DECK

REV B
01/25/10



PWR/DATA/VIDEO: ASCENT CONFIG – MIDDECK

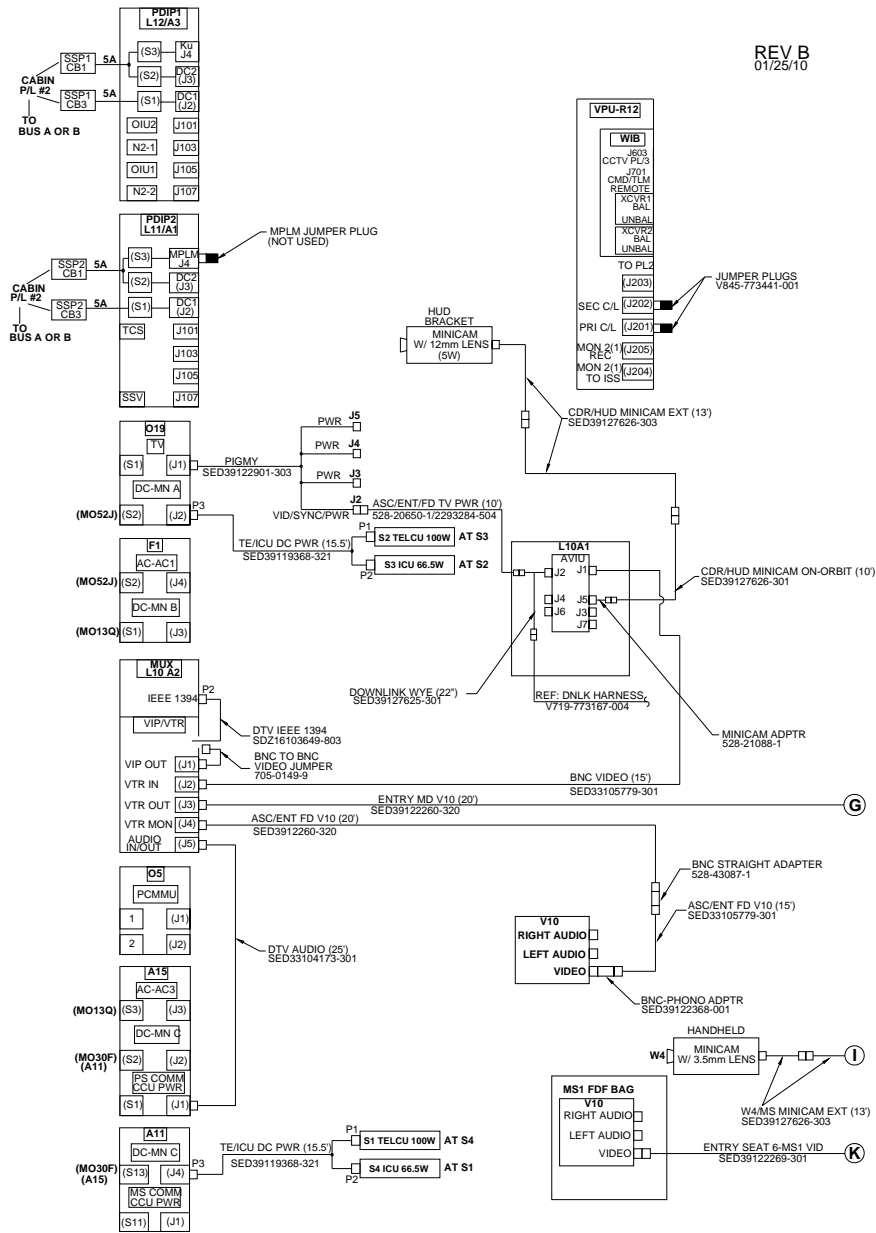
REV B
01/25/10



NOTE:
1. POWERED PAYLOADS AND ASSOCIATED CABLES
WILL NOT BE FLOWN ON LON FLIGHTS.

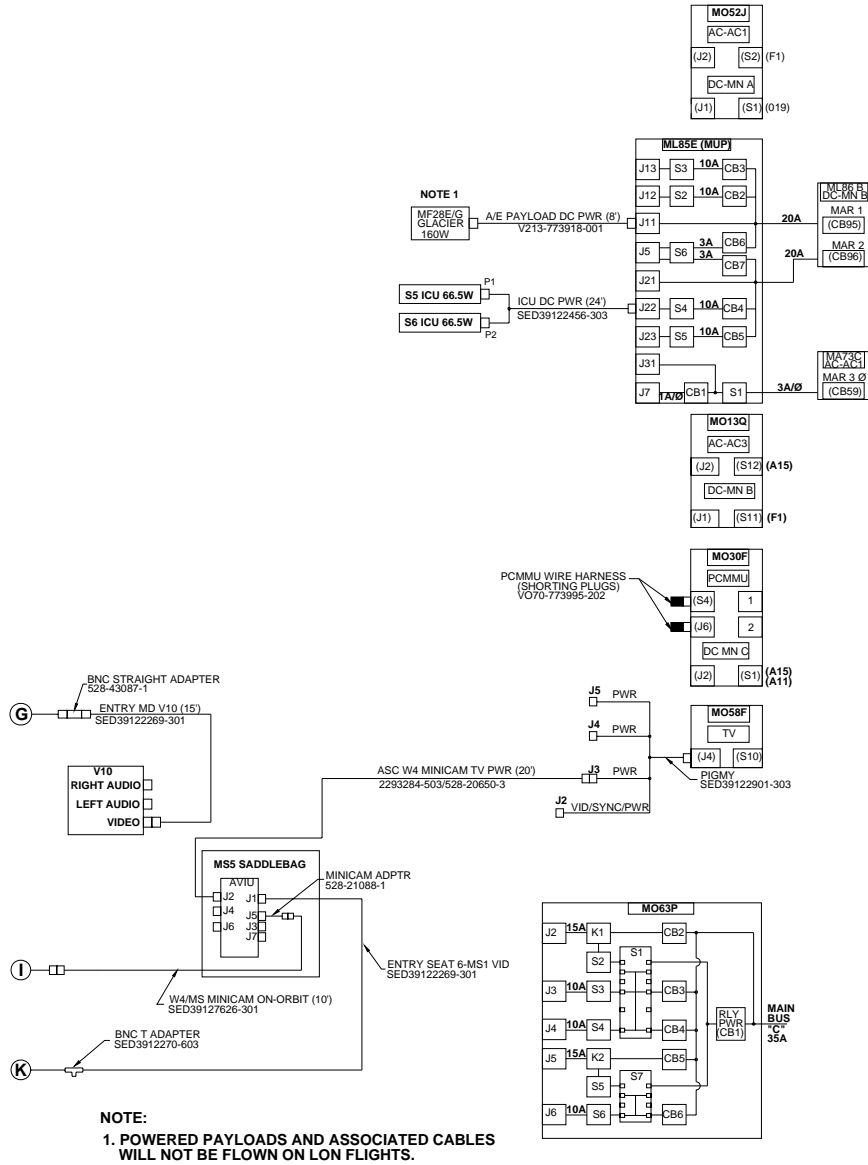
PWR/DATA/VIDEO: ENTRY CONFIG – FLT DECK

REV B
01/25/10



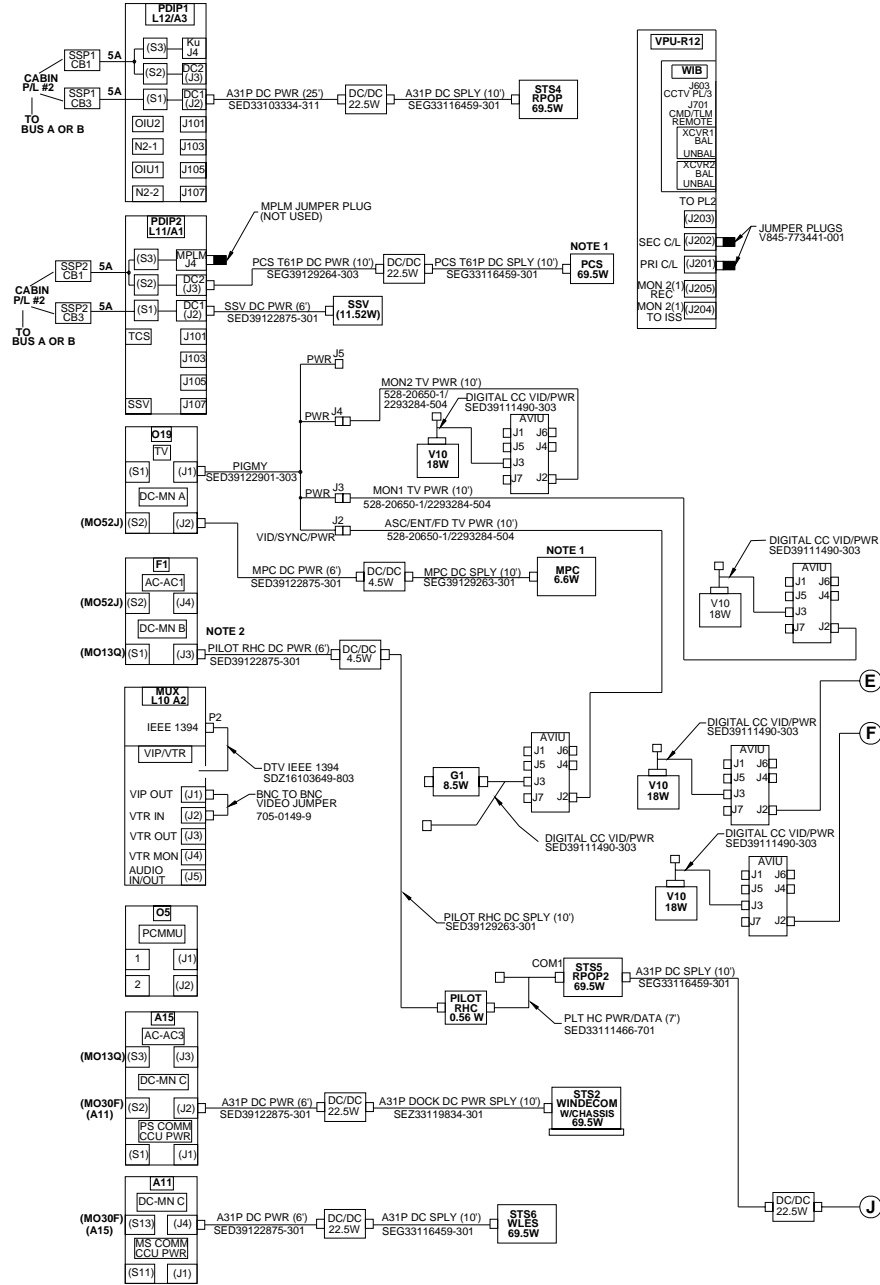
PWR/DATA/VIDEO: ENTRY CONFIG – MIDDECK

REV B
01/25/10



PWR: ON-ORBIT CONFIG – FLT DECK

REV B
01/25/10

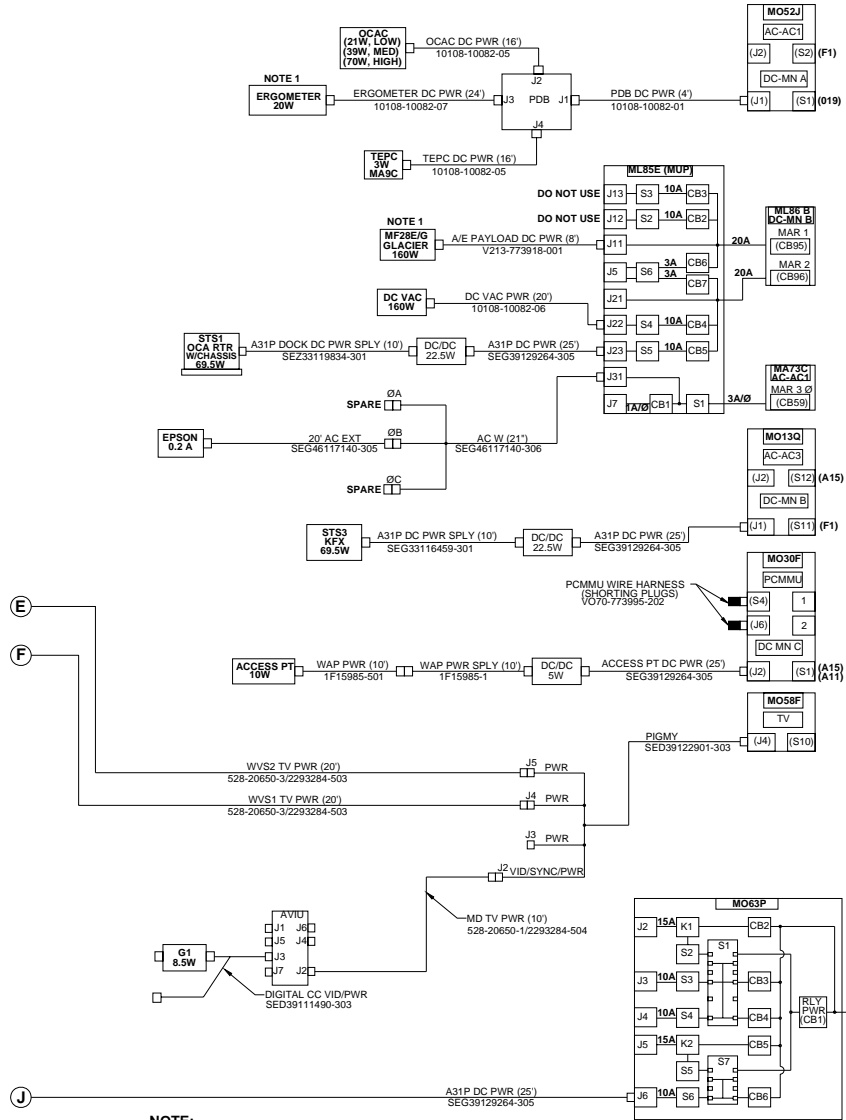


FS 4-10

REF/130/FIN X

PWR: ON-ORBIT CONFIG – MIDDECK

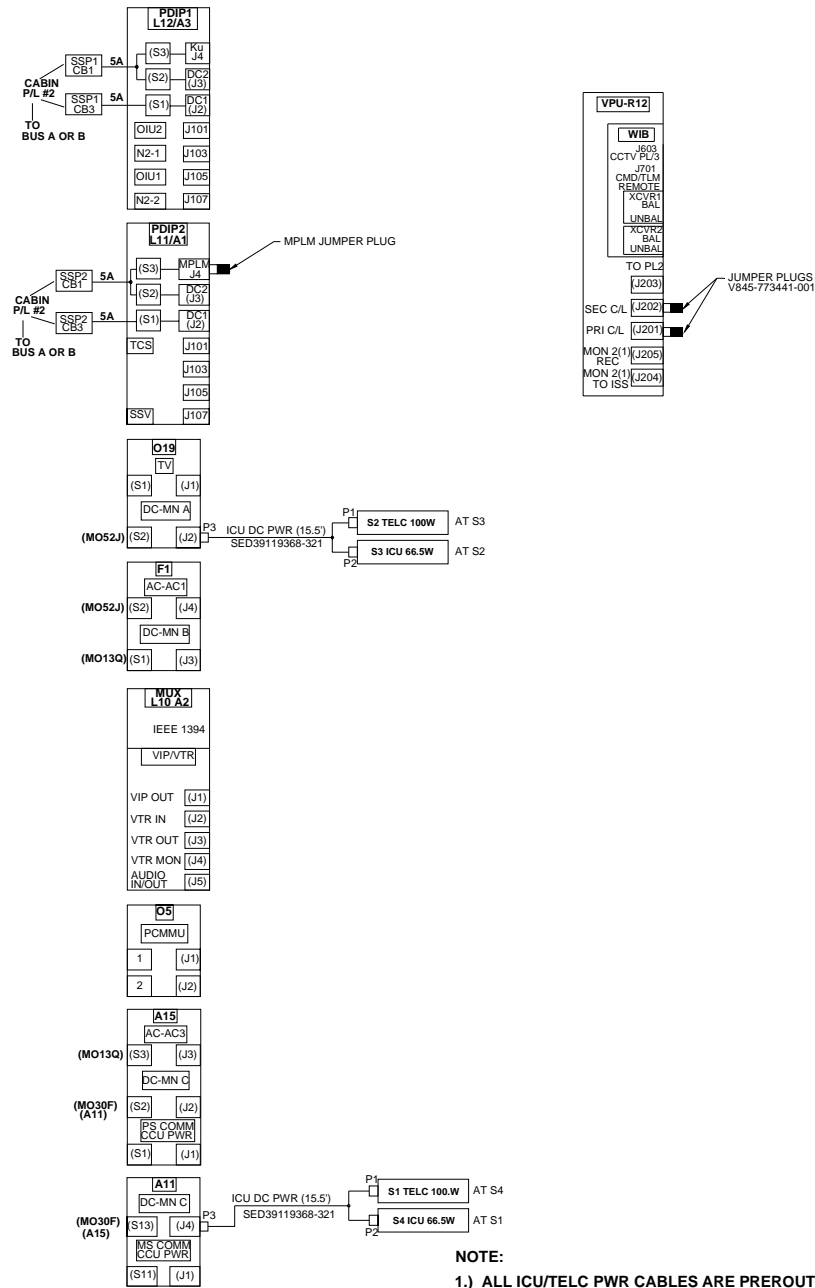
REV B
01/25/10



- NOTE:**
1. POWERED PAYLOADS, MPC, ERGOMETER AND PCS WILL NOT BE FLOWN ON LON FLIGHTS. ALL ASSOCIATED CABLES WILL BE REMOVED FROM THE FLIGHT.
 2. SSC CAN BE POWERED FROM F1.

PWR: CREW RESCUE COOLING CONFIG – FLT DECK

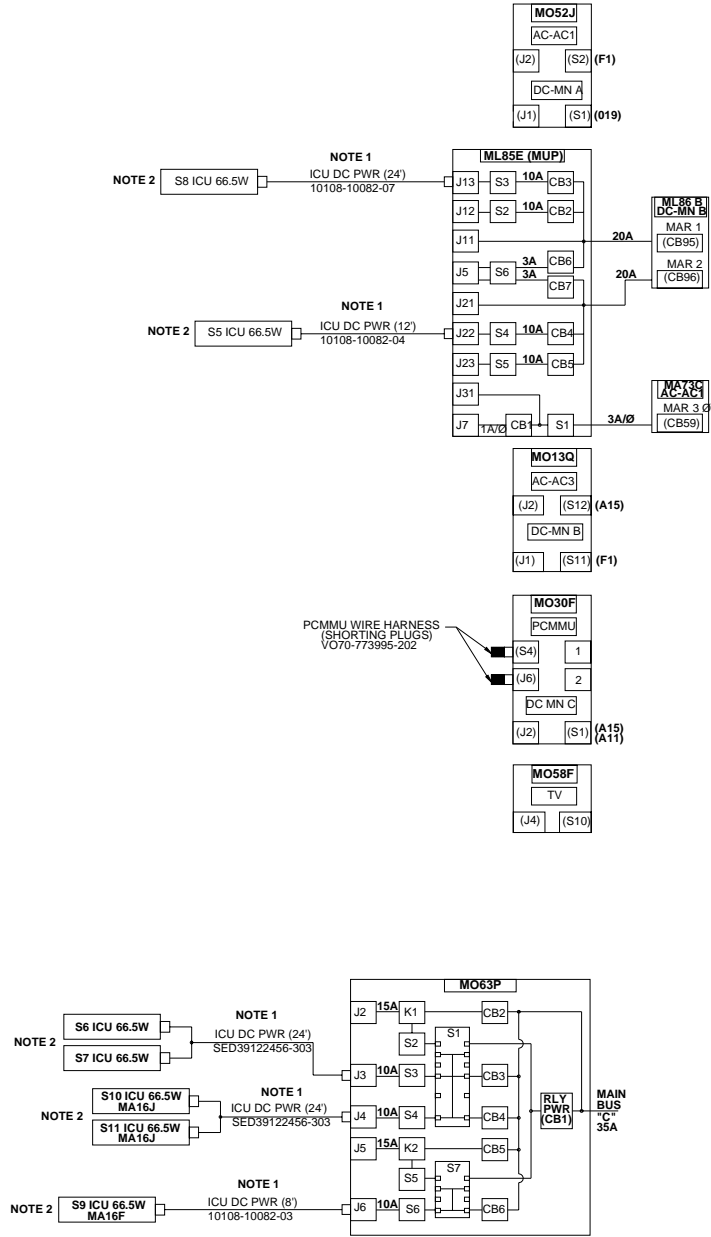
REV B
01/25/10



NOTE:
1.) ALL ICU/TELC PWR CABLES ARE PREROUTED
2.) ICUS FOR S5-11 ENTRY POWERED ONLY

PWR: CREW RESCUE COOLING CONFIG – MIDDECK

REV B
01/25/10





This Page Intentionally Blank



PLB FLOODLIGHT CONSTRAINTS

PAYLOAD BAY FLOODLIGHT CONSTRAINTS FS 5-2

PLB
FLOODLT

FS 5-1

REF/130/FIN

**PLB
FLOODLT**

PAYLOAD BAY FLOODLIGHT CONSTRAINTS

GENERIC	STS-130
<ul style="list-style-type: none"> • Minimum operating time for PLB Floodlights is 10 min • Lights must be OFF for a minimum of 10 min UNBLOCKED, 16 min BLOCKED prior to reuse • ~3 min to full bright <p>Record MET: ____/____:____:____</p> <p style="text-align: center;">* If PLB Floodlight not ON to full bright within 5 min: (Aff) PL BAY FLOOD – OFF *</p>	<p>NODE 3 IN PLB</p> <p>FWD PORT AND STBD LIGHTS</p> <ul style="list-style-type: none"> • Generic constraints apply <p>MID PORT AND STBD LIGHTS</p> <ul style="list-style-type: none"> • When Orbiter not in Bay-to-Sun inertial type attitude, generic constraints apply • When Orbiter in Bay-to-Sun inertial type attitude, max 20 min ON, 30 min OFF <p>AFT PORT AND STBD LIGHTS</p> <ul style="list-style-type: none"> • OFF at all times <p>NODE 3 NOT IN PLB</p> <p>Generic constraints apply to all floodlights</p>

ENTRY STOWAGE

FLIGHTS WITH RETENTION NET..... FS 6-2

**ENTRY
STOW**

FS 6-1

REF/130/FIN

FLIGHTS WITH RETENTION NET

AIRLOCK CONFIGURATION

1. Stow clothing and soft goods in airlock in mesh bag or jettison stowage bag (Bones Bags, Laundry Bag)
2. Tie bags to standoffs on handrails or EVA attachment point
3. Avoid using standoffs on handrail just inside inner hatch (bags may snag on opening mechanism during ground retrieval)
4. Attempt to tape bags to floor or wall to prevent settling on EMUs or hatches

RETENTION NET CONFIGURATION

1. Configure sleeping bags in two flat stacks (3 top, 3 bottom)
2. Verify retention net in forward position
3. Return to Houston bag(s) behind retention net should contain only:
 - Ascent FDF
 - Digital Video Tapes
 - Crew Shirts
4. Restrain RTH Bag(s) to floor using seat restraint and Gray Tape as necessary

ITEMS/NOTES

1. Stow the following items:
 - Water Samples in Fresh Food Locker (MF43H)
2. Stow used disposable batteries in double-wrap Ziplock Bags away from heat source. Recommend Fresh Food Locker (MF43H)

MISSION SPECIFIC ITEMS/NOTES

NONE

**ENTRY
STOW**



CUE CARD CONFIGURATION

**CUE
CARDS**



FAB USE ONLY

FS 7-1

REF/130/FIN



CUE CARDS

TOP

FAB USE ONLY

FS CC 7-2

REF/130/FIN

(reduced copy)

REF-1a/130/O/A

STS-130 CONSUMABLES

DISINFECTANT WIPES (26/pkg) (6/cm/day)	WMC (pkg) 3 2 1	VOL B (MA4D) (pkg) 14 13 12 11 10 9 8 7 6 5 4 3 2 1	ML60B (Top of MAR) 2 1	MF71K (pkg) 3 2 1
DRY WIPES (24/pkg) (25/cm/day)	WMC (pkg) 24 23 22 21 20 19 18 17 16 15 14 13 12 11 10 9 8 7 6 5 4 3 2 1	VOL B (MA4D) (pkg) 29 28 27 26 25 48 47 46 45 44 43 42 41 40 39 38 37 36 35 34 33 32 31 30 29 28 27 26 25 24 23 22 21 20 19 18 17 16 15 14 13 12 11 10 9 8 7 6 5 4 3 2 1		
ELBOW BAGS	WMC 16 15 14 13 12 11 10 9 8 7 6 5 4 3 2 1	VOL B (MA4D) 14 13 12 11 10 9 8 7 6 5 4 3 2 1		
EMESIS BAGS	WMC 7 6 5 4 3 2 1	VOL B (MA4D) 13 12 11 10 9 8 7 6 5 4 3 2 1		
GLOVES (50/pkg) (3.5/cm/day) (not incl VOL G)	WMC (pkg) 2 1	VOL B (MA4D) (pkg) 4 3 2 1	VOL G (MD80R) (pkg) 1	
GLOVES, SHOULDER LENGTH	VOL B (MA4D) (pkg) 1			
PREFILTERS, CONICAL	WMC 20 19 18 17 16 15 14 13 12 11 10 9 8 7 6 5 4 3 2 1	VOL B (MA4D) 20 19 18 17 16 15 14 13 12 11 10 9 8 7 6 5 4 3 2 1		
TOWELS (half/cm/day)	WMC 30 29 28 27 26 25 24 23 22 21 20 19 18 17 16 15 14 13 12 11 10 9 8 7 6 5 4 3 2 1	VOL B (MA4D) 13 12 11 10 9 8 7 6 5 4 3 2 1		
TRASH BAGS (Coffee Can) (10/pkg) (2/cm/day)	WMC (pkg) 10 9 8 7 6 5 4 3 2 1	VOL B (MA4D) (pkg) 8 7 6 5 4 3 2 1		
WASHCLOTHS (1/cm/day)	WMC 30 29 28 27 26 25 24 23 22 21 20 19 18 17 16 15 14 13 12 11 10 9 8 7 6 5 4 3 2 1	VOL B (MA4D) 56 55 54 53 52 51 50 49 48 47 46 45 44 43 42 41 40 39 38 37 36 35 34 33 32 31 30 29 28 27 26 25 24 23 22 21 20 19 18 17 16 15 14 13 12 11 10 9 8 7 6 5 4 3 2 1		
WET WASHES ("Baby Wipes") (40/pkg) (19/cm/day)	WMC (pkg) 6 5 4 3 2 1	VOL B (MA4D) (pkg) 34 33 32 31 30 29 28 27 26 25 24 23 22 21 20 19 18 17 16 15 14 13 12 11 10 9 8 7 6 5 4 3 2 1		

TOP
BACK OF 'STS-130 CONSUMABLES'

HOOK
VELCRO

FAB USE ONLY

(reduced copy)
FS CC 7-3

REF/130/FIN

REF-1b/130/O/A



This Page Intentionally Blank



FAB USE ONLY

FS 7-4

REF/130/FIN



Space Shuttle Program
FLIGHT DATA FILE

JSC-48042-130
FINAL



**REFERENCE
DATA**

**STS
130**

Flight Cover (trim bottom to expose tabs)