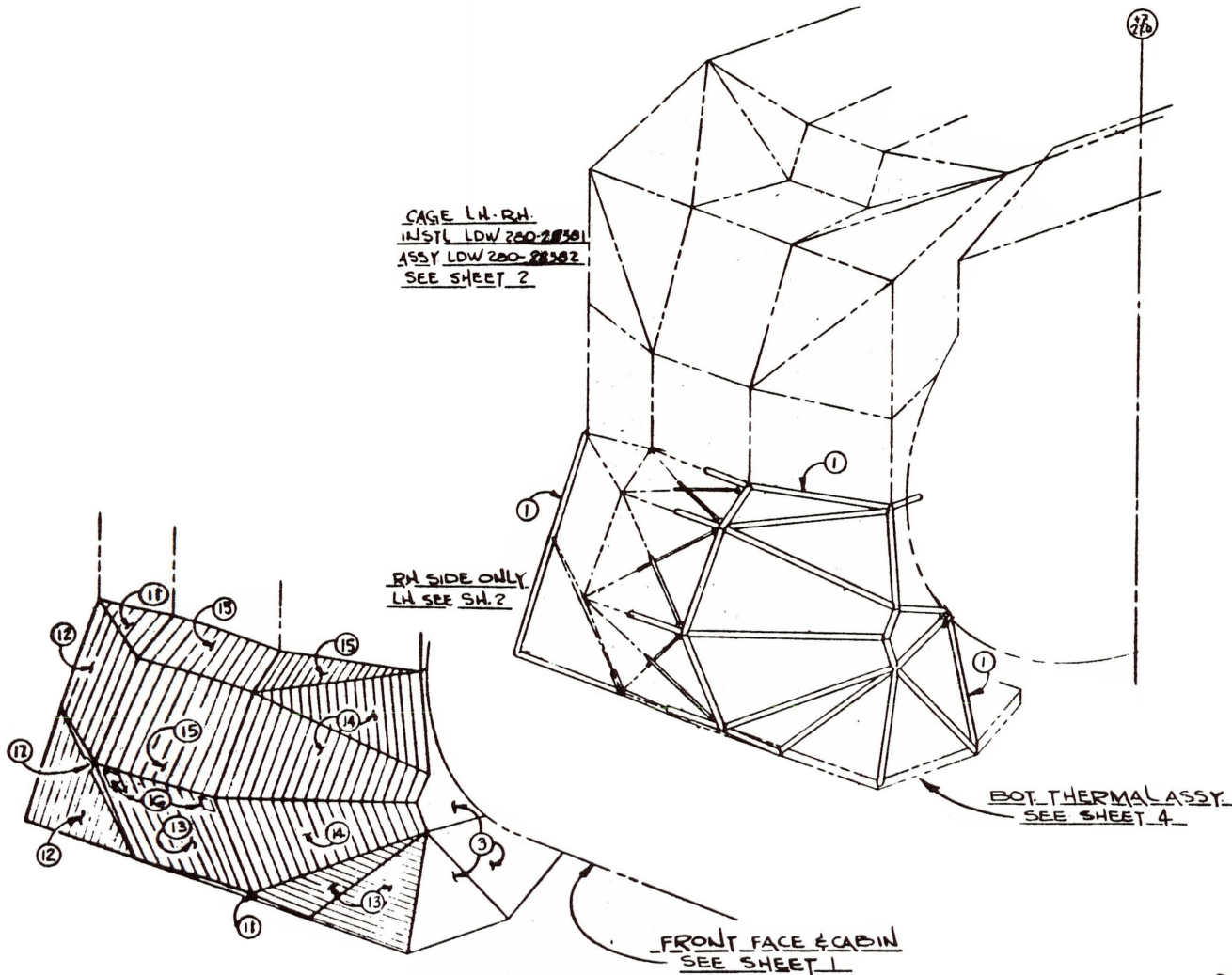


THERMAL SHIELDING LDW 280-28150

ITEM	DRAWING	TITLE
1	LDW 280-28156	CAGE INSTL, R.H. TANK
	LDW 280-28231	CAGE ASSY, R.H. TANK
2	LDW 280-28161	SHLD INSTL, R.H. TANK
3	LDW 280-28851	SHLD INSTL, FWD RAFT TK

(2) SHIELDING INSTL R.H. TK LDW 280-28161

ITEM	DRAWING	TITLE
11	LDW 280-11445	SHIELD
12	LDW 280-11446	"
13	LDW 280-11447	"
14	LDW 280-11448	"
15	LDW 280-11449	"
16	LDW 280P11500	
17	LDW 280P11517	FAIRING



LM
ASCENT STAGE
MID SECTION
LTA-8

7-20-67
COMPLETE REVISION PRR-4-26-67
ENGINEERING SCHEDULING 46 10-16-67

SHEET 3

SK 17-30-18!