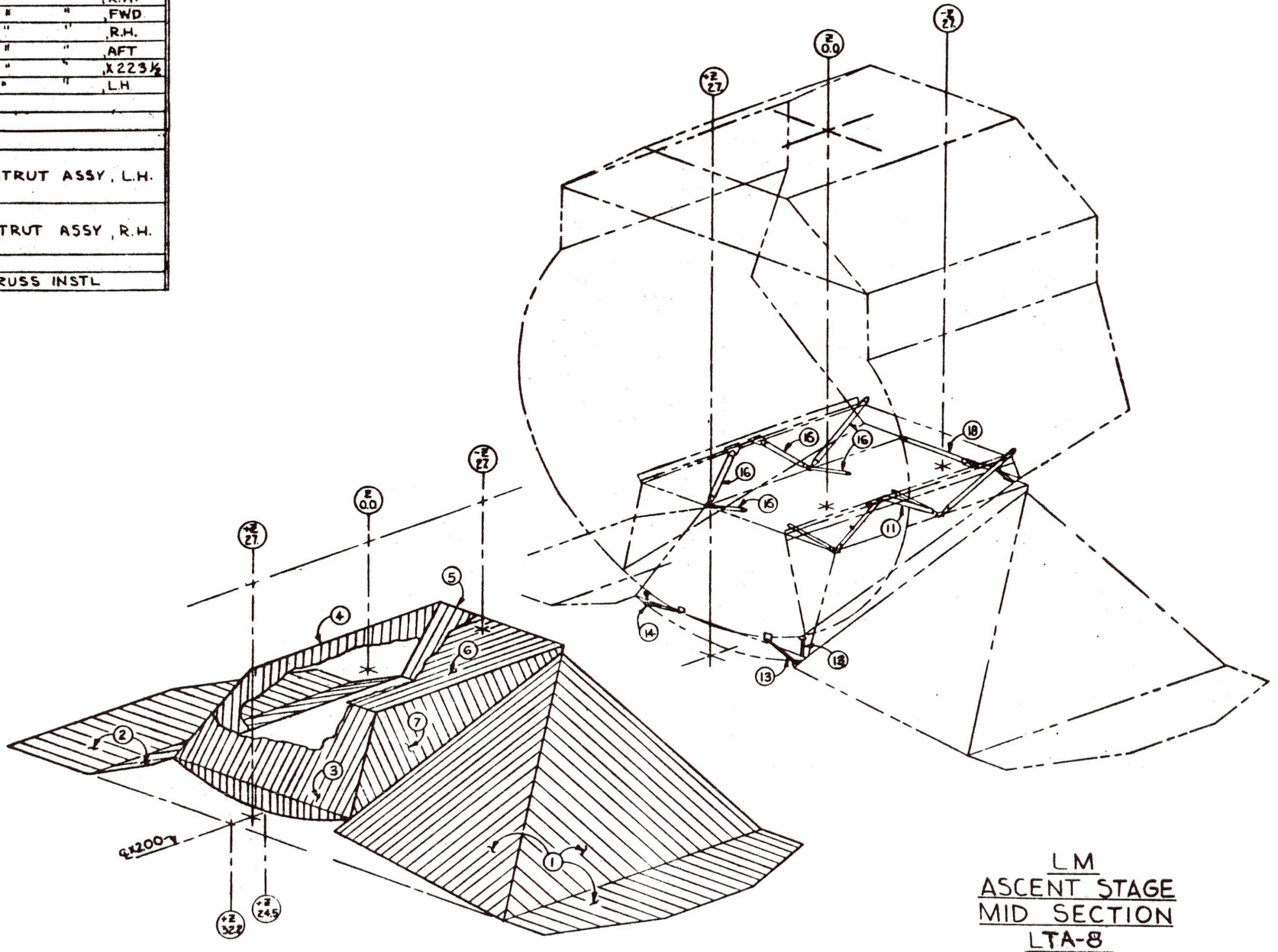


THERMAL SHIELDING LDW 280-28153

ITEM	DRAWING	TITLE
1	LDW 280-28153	PANEL INSTL, L.H.
2	LDW 280-28162	" " R.H.
3	LDW 280-28203	" " FWD
4	LDW 280-28222	" " R.H.
5	LDW 280-28223	" " AFT
6	LDW 280-28224	" " X223 1/2
7	LDW 280-28225	" " L.H.
11	LDW 280-28866	STRUT ASSY, L.H.
13	LDW 280-28879	
14	LDW 280-28481	STRUT ASSY, R.H.
16	LDW 280-28867	
18	LDW 280-28165	TRUSS INSTL



LM  
ASCENT STAGE  
MID SECTION  
LTA-8

ENGINEERING SCHEDULING P.R.R. 7-20-67 4-27-67 SHEET 4  
 SK-17-30-18