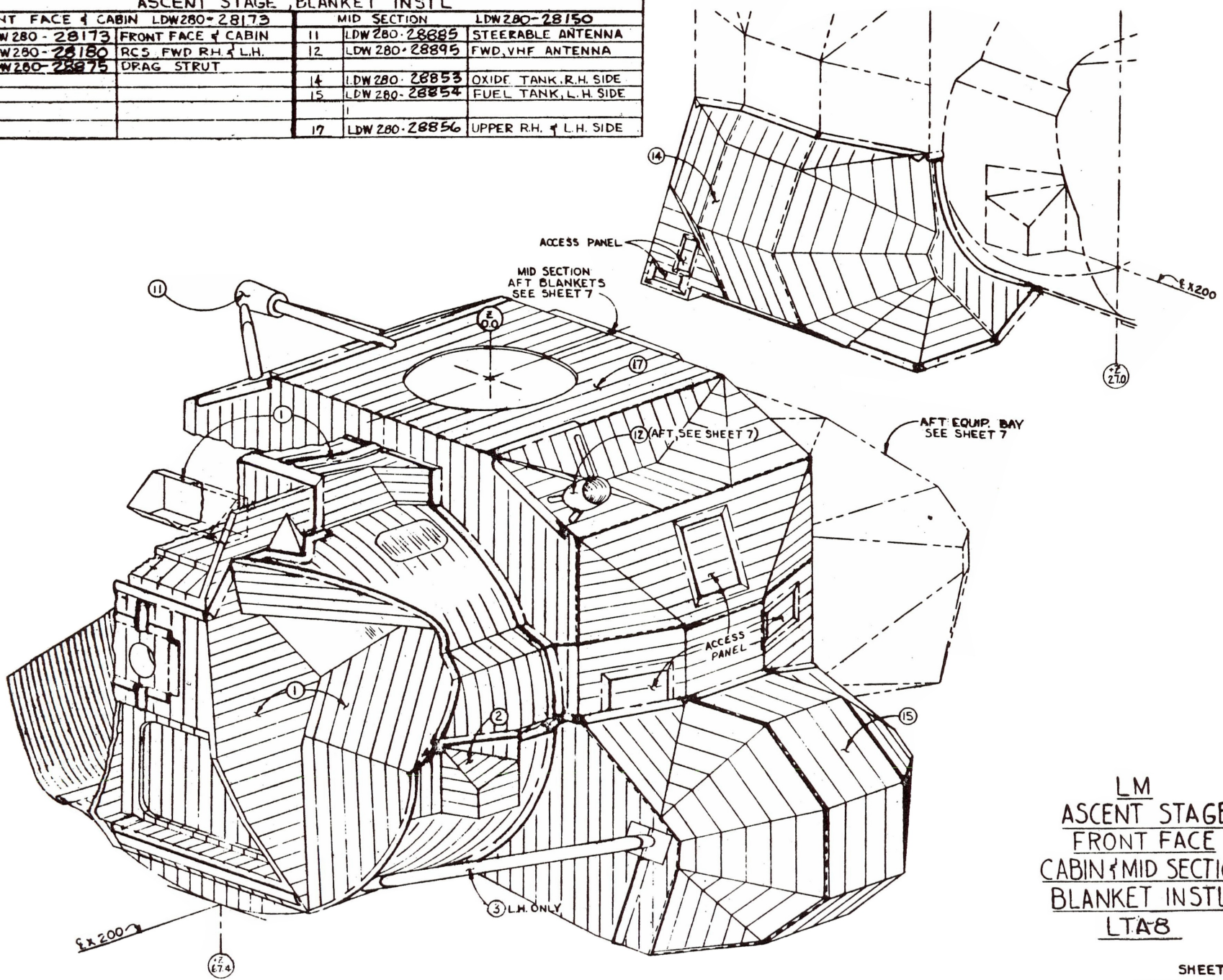


ASCENT STAGE BLANKET INSTL

| FRONT FACE & CABIN LDW280-28173 |                                  | MID SECTION LDW280-28150 |                                     |
|---------------------------------|----------------------------------|--------------------------|-------------------------------------|
| 1                               | LDW280-28173                     | 11                       | LDW280-28885 STEERABLE ANTENNA      |
| 2                               | LDW280-28180 RCS FWD R.H. & L.H. | 12                       | LDW280-28895 FWD VHF ANTENNA        |
| 3                               | LDW280-28875 DRAG STRUT          | 14                       | LDW280-28853 OXIDE TANK R.H. SIDE   |
|                                 |                                  | 15                       | LDW280-28854 FUEL TANK L.H. SIDE    |
|                                 |                                  | 17                       | LDW280-28856 UPPER R.H. & L.H. SIDE |



LM  
 ASCENT STAGE  
 FRONT FACE  
 CABIN & MID SECTION  
 BLANKET INSTL  
 LTA-8

SHEET 6

ENGINEERING SCHEDULING P.R.R. 7-20-67 4-11-67 SK17-30-18