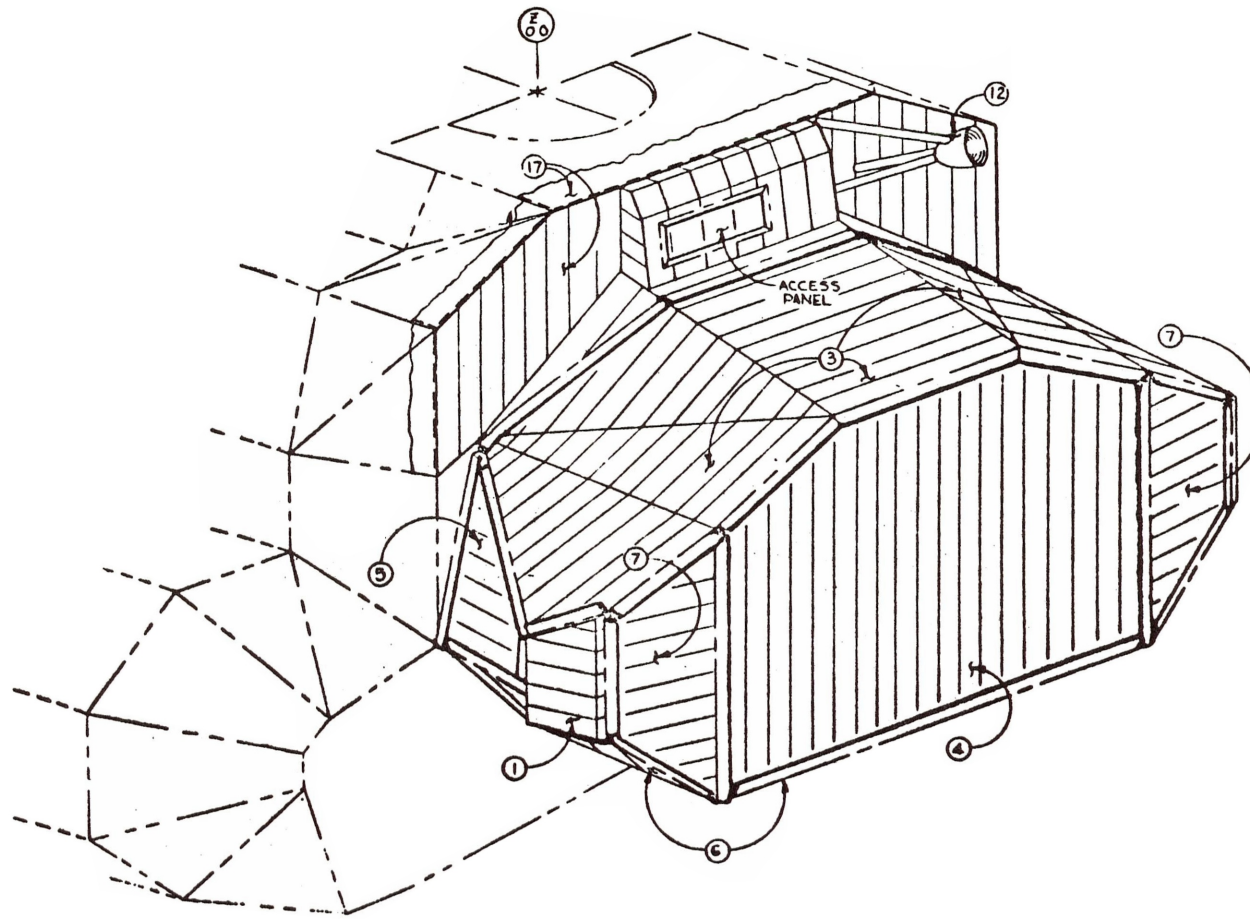


ASCENT STAGE BLANKET INSTALLATIONS		
AFT EQUIPMENT BAY LDW 280-28453		
1	LDW 280-28897	RCS, AFT R.H. & L.H.
3	LDW 280-14435	BLANKET, TOP
4	LDW 280-14436	BLANKET, BACK
5	LDW 280-14437	BLANKET, RH & LH, SIDE
6	LDW 280-14438	BLANKET, BOTTOM
7	LDW 280-14439	BLANKET, R.H. & L.H. BACK

MID SECTION SEE SHEET 6		
12	LDW 280-28895	AFT, VHF ANTENNA
17	LDW 280-28856	UPPER R.H. & L.H. SIDE



LM
 ASCENT STAGE
 AFT EQUIPMENT BAY
 BLANKET INSTL
 LTAB

SHEET 7

ENGINEERING SCHEDULING P.R.R. 7-20-67
 4-11-67

SK17-30-18