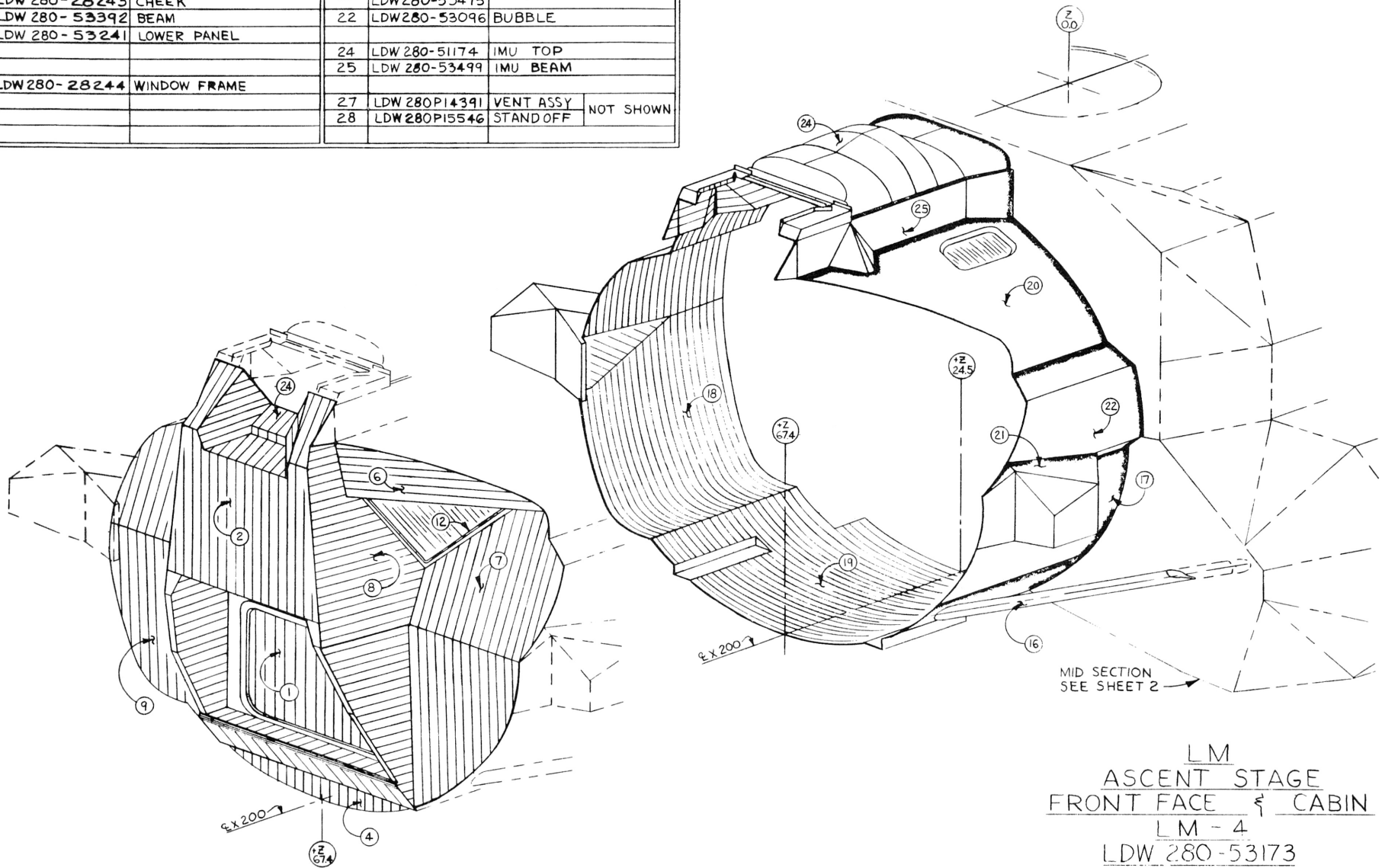


ASCENT STAGE THERMAL SHIELD INSTL

FRONT FACE SHIELDING			CABIN SHIELDING		
1	LDW 280-28175	FWD HATCH	16	LDW 280-53875	DRAG STRUT
2	LDW 280-54176	CENTER PANEL	17	LDW 280-53185	L.H. LOWER SIDE
			18	LDW 280-53186	R.H. LOWER SIDE
4	LDW 280-53279	LOWER BULKHEAD	19	LDW 280-53178	BOTTOM
			20	LDW 280-53347	UPPER
6	LDW 280-28242	BROW		LDW 280-53179	FWD, THRUSTER CLUST.
7	LDW 280-28243	CHEEK	21	LDW 280-53475	
8	LDW 280-53392	BEAM	22	LDW 280-53096	BUBBLE
9	LDW 280-53241	LOWER PANEL			
			24	LDW 280-51174	IMU TOP
			25	LDW 280-53499	IMU BEAM
12	LDW 280-28244	WINDOW FRAME	27	LDW 280P14391	VENT ASSY
			28	LDW 280P15546	STAND OFF
					NOT SHOWN



LM  
 ASCENT STAGE  
 FRONT FACE & CABIN  
 LM - 4  
 LDW 280-53173