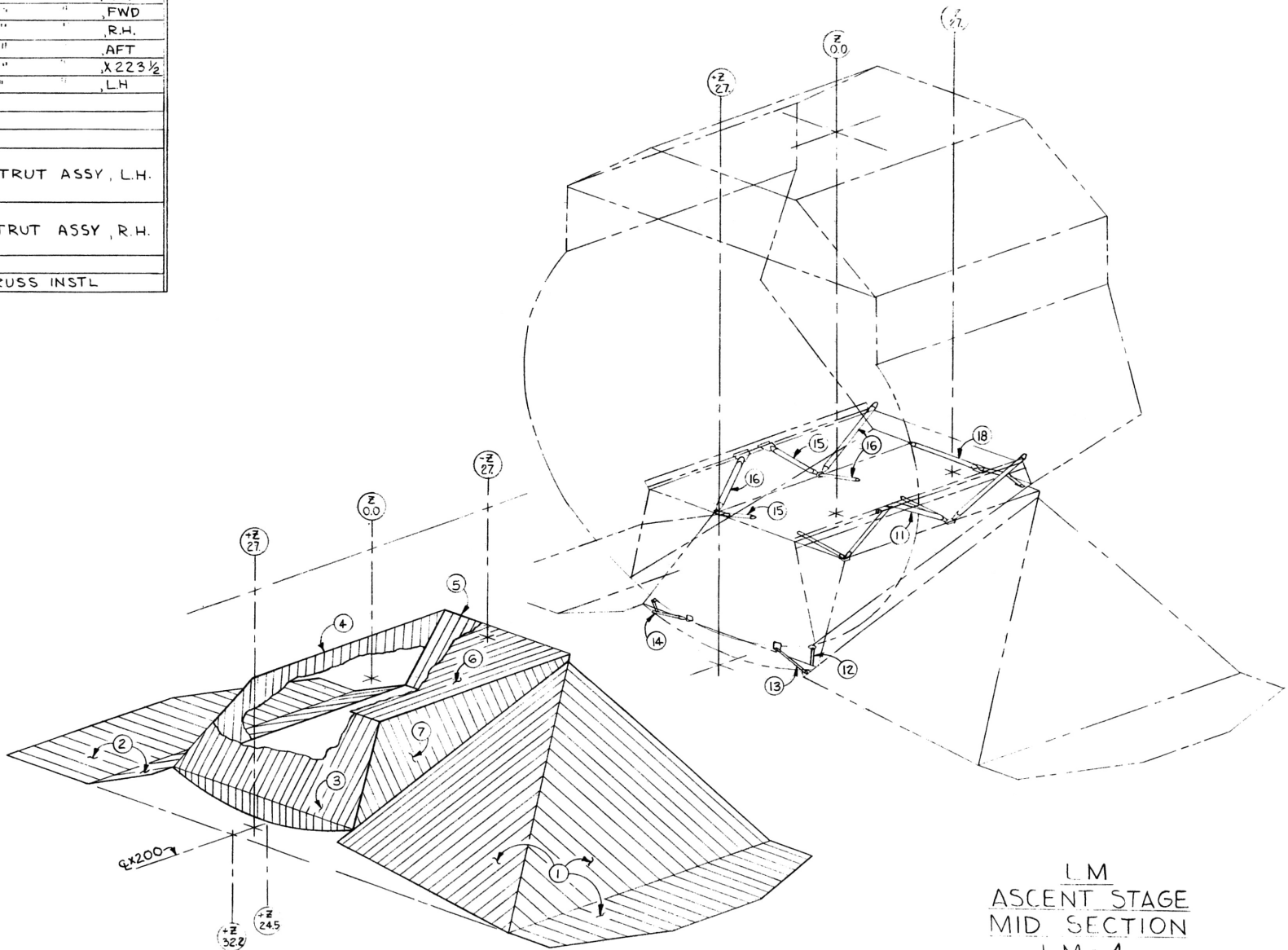


THERMAL SHIELDING LDW 280-53153		
ITEM	DRAWING	TITLE
1	LDW 280-53159	PANEL INSTL L.H.
2	LDW 280-53162	" " R.H.
3	LDW 280-53203	" " FWD
4	LDW 280-53222	" " R.H.
5	LDW 280-53223	" " AFT
6	LDW 280-53224	" " X 223 1/2
7	LDW 280-53225	" " LH
11	LDW 280-28866	
12	LDW 280-28877	STRUT ASSY, L.H.
13	LDW 280-28879	
14	LDW 280-28481	
15	LDW 280-28867	STRUT ASSY, R.H.
16	LDW 280-53867	
18	LDW 280-53165	TRUSS INSTL



LM  
 ASCENT STAGE  
 MID SECTION  
 LM-4

ENGINEERING SCHEDULING PRK 4-7-67

SHEET 4

SK-17-30-34