

CABIN PRIME STRUCTURE LDW280-28010

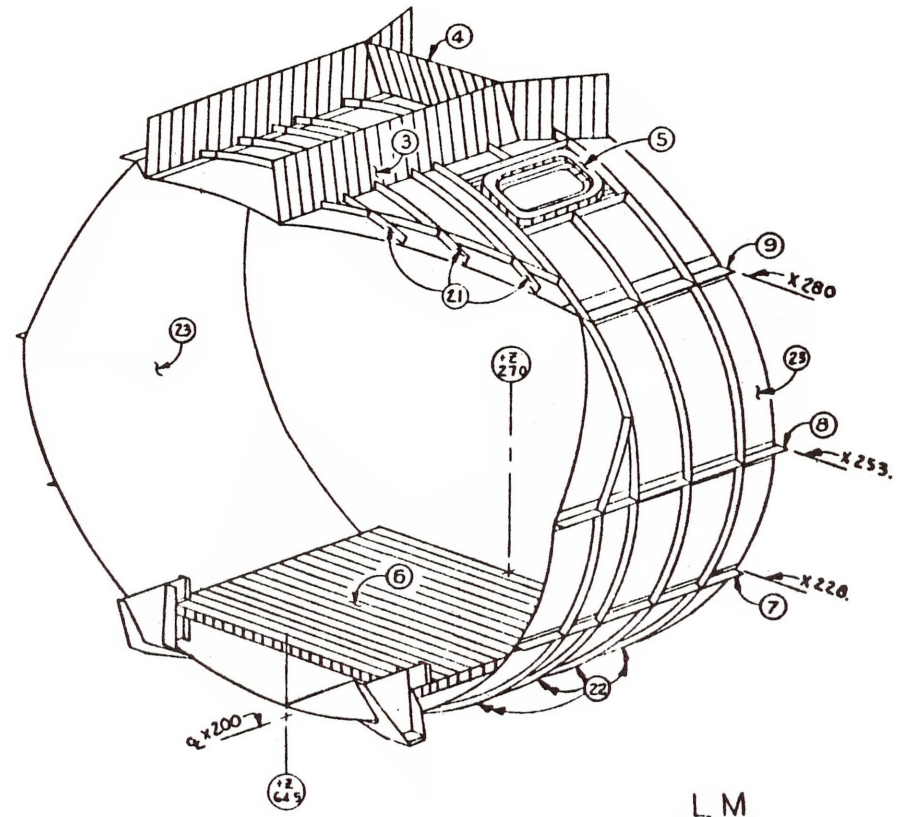
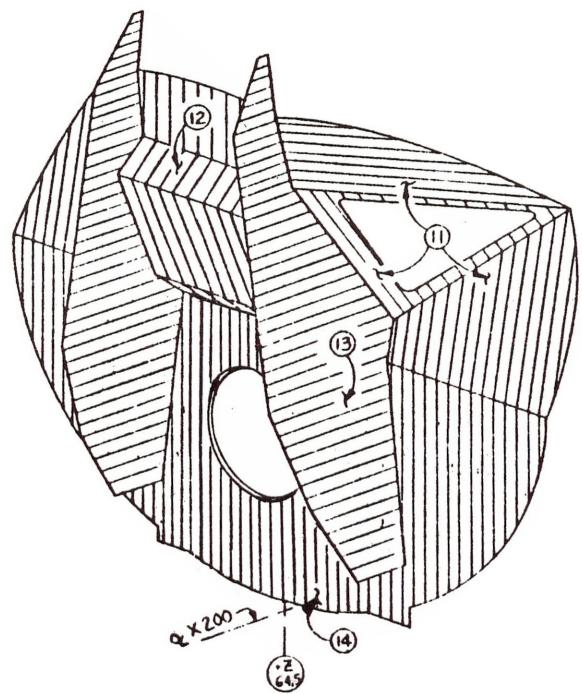
| ITEM | DRAWING | TITLE |
|------|--------------|-------------------------|
| | LDW280-28075 | FACE ASSY |
| 1 | LDW280M28137 | FRONT FACE MACHINING |
| 2 | LDW280-28051 | CABIN SKIN INSTL |
| 3 | LDW280-28031 | IMU BEAM INSTL |
| 4 | LDW280-28114 | FRAME INSTL CANTED |
| 5 | LDW280-28023 | CABIN WINDOW INSTL UPR |
| 6 | LDW280H23060 | FLOOR ASSY 4 INSTL |
| 7 | LDW280-28025 | LONGERON INST X228R.H |
| | LDW280-28049 | LONGERON INST X228L.H |
| 8 | LDW280-28047 | LONGERON INST X252-X253 |
| 9 | LDW280-28048 | LONGERON INST X280 |

① FRONT FACE MACHINING LDW280M28137
FRONT FACE ASSY LDW280-28011

| ITEM | DRAWING | TITLE |
|------|--------------|--------------------------|
| 11 | LDW280-28015 | PNL ASSY CHEEK,BROW/WIND |
| 12 | LDW280-28016 | PNL ASSY UPR CENTER |
| 13 | LDW280M10085 | WEB BEAM |
| 14 | LDW280M10086 | BULKHEAD UPR |

② CABIN SKIN INSTL LDW280-28051

| ITEM | DRAWING | TITLE |
|------|--------------|-----------------|
| 21 | LDW280-28021 | FRAME INSTL UPR |
| 22 | LDW280-28074 | FRAME INSTL |
| 23 | LDW280-28013 | SKIN ASSY |



LM
ASCENT STAGE
FRONT FACE & CABIN
LTA-8

ENGINEERING SCHEDULING PRR. 7-20-67
5-8-67

SK 17-31-18