

CABIN PRIME STRUCTURE LDW280-54010

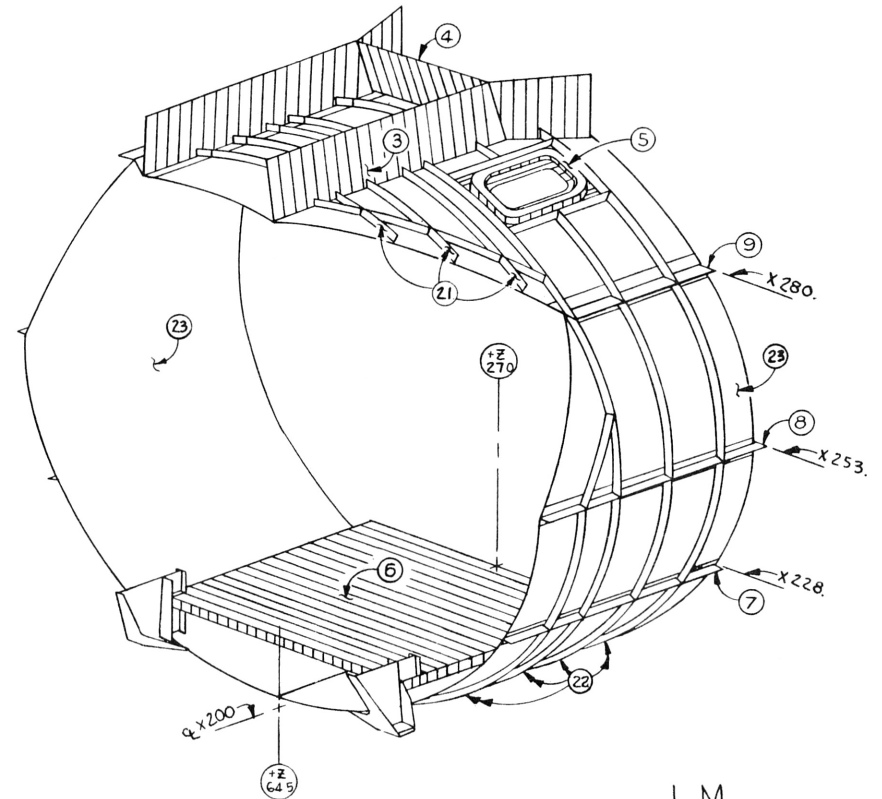
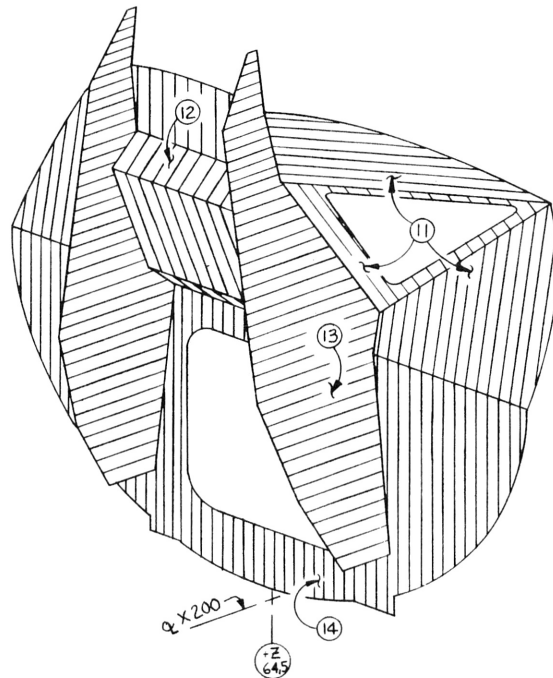
ITEM	DRAWING	TITLE
1	LDW280-54075	FACE ASSY
	LDW280M54137	FRONT FACE MACHINING
2	LDW280-54051	CABIN SKIN INSTL
3	LDW280-23031	IMU BEAM INSTL
4	LDW280-23114	FRAME INSTL CANTED
5	LDW280-53023	CABIN WINDOW INSTL UPR
6	LDW280H23060	FLOOR ASSY # INSTL
7	LDW280-23025	LONGERON INST X228R.H.
	LDW280-23049	LONGERON INST X228L.H.
8	LDW280-23047	LONGERON INST X252-X253
9	LDW280-23048	LONGERON INST X280

① FRONT FACE MACHINING LDW280M54137
FRONT FACE ASSY LDW280-54011

ITEM	DRAWING	TITLE
11	LDW280-23015	PNL ASSY CHEEK, BROW WIND
12	LDW280-23016	PNL ASSY UPR CENTER
13	LDW280M10440	WEB BEAM
14	LDW280M10392	BULKHEAD UPR

② CABIN SKIN INSTL LDW280-54051

ITEM	DRAWING	TITLE
21	LDW280-23021	FRAME INSTL UPR
22	LDW280-23074	FRAME INSTL
23	LDW280-23013	SKIN ASSY



LM
ASCENT STAGE
FRONT FACE & CABIN
LM-4

ENGINEERING SCHEDULING. PRR. 5-8-67

SK 17-31-34