

60 MID SECTION STRUCTURE LDW 280 28012

ITEM	DRAWING	TITLE
1	LDW 280-28020	SKIN INSTL
2	LDW 280-28027	DECK ASSY X 310
3	LDW 280-28039	" " X 294
4	LDW 280-28032	" " INSTL X 277
5	LDW 280-28029	" INSTL X 253
6	LDW 280-28028	BEAM ASSY INSTL X 253
7	LDW 280-28030	" " " " X 222
8	LDW 280-28044	WEB INSTL X 136 3/4
	LDW 280-23077	BEAM INST, ENG FWD
9	LDW 280-28078	" " " " AFT
	LDW 280-28079	" " " " SIDES
10	LDW 280-28019	STIFFENER INSTL X 227
11	LDW 280-28053	WATER TANK INSTL
12	LDW 280-28144	RCS MOD INSTL SUPT

(1) SKIN INSTL LDW 280 28020

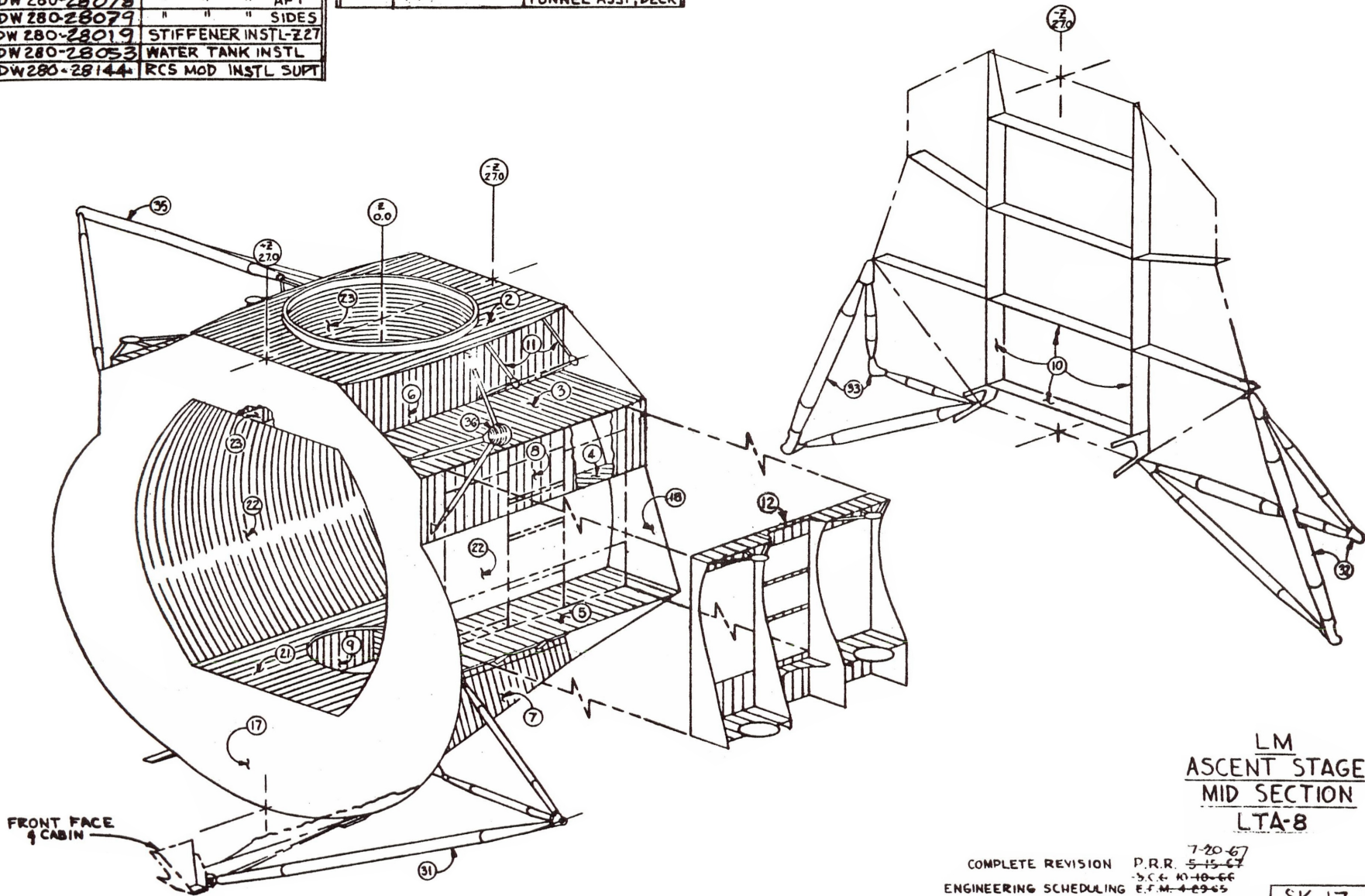
16	LDW 280-28041	SKIN WELD DECK ASSY
17	LDW 280M 10001	BULKHEAD, FWD
18	LDW 280M10232	" " " " AFT

(6) SKIN WELD DECK ASSY LDW 280-28041

21	LDW 280M 10003	DECK, LOWER
22	LDW 280-28014	SKIN ASSY
23	LDW 280-28017	DECK ASSY, UPR TUNNEL ASSY, DECK

STRUCTURE ASSY A/S LDW 280-28002

ITEM	DRAWING	TITLE
31	LDW 280-28024	TRUSS INSTL TANK SUPT
32	LDW 280-28036	" " " " AFT LH
33	LDW 280-28037	" " " " R.H.
35	LDW 280-23256	STEERABLE ANT SUPT
36	LDW 280-23257	FWD VHF ANTENNA SUPT
38	LDW 280-28012	MID SECTION STRUCTURE



LM  
ASCENT STAGE  
MID SECTION  
LTA-8

7-20-67  
COMPLETE REVISION P.R.R. 5-15-67  
S.C.E. 10-10-66  
ENGINEERING SCHEDULING E.F.M. 4-29-65

SK 17-32-18