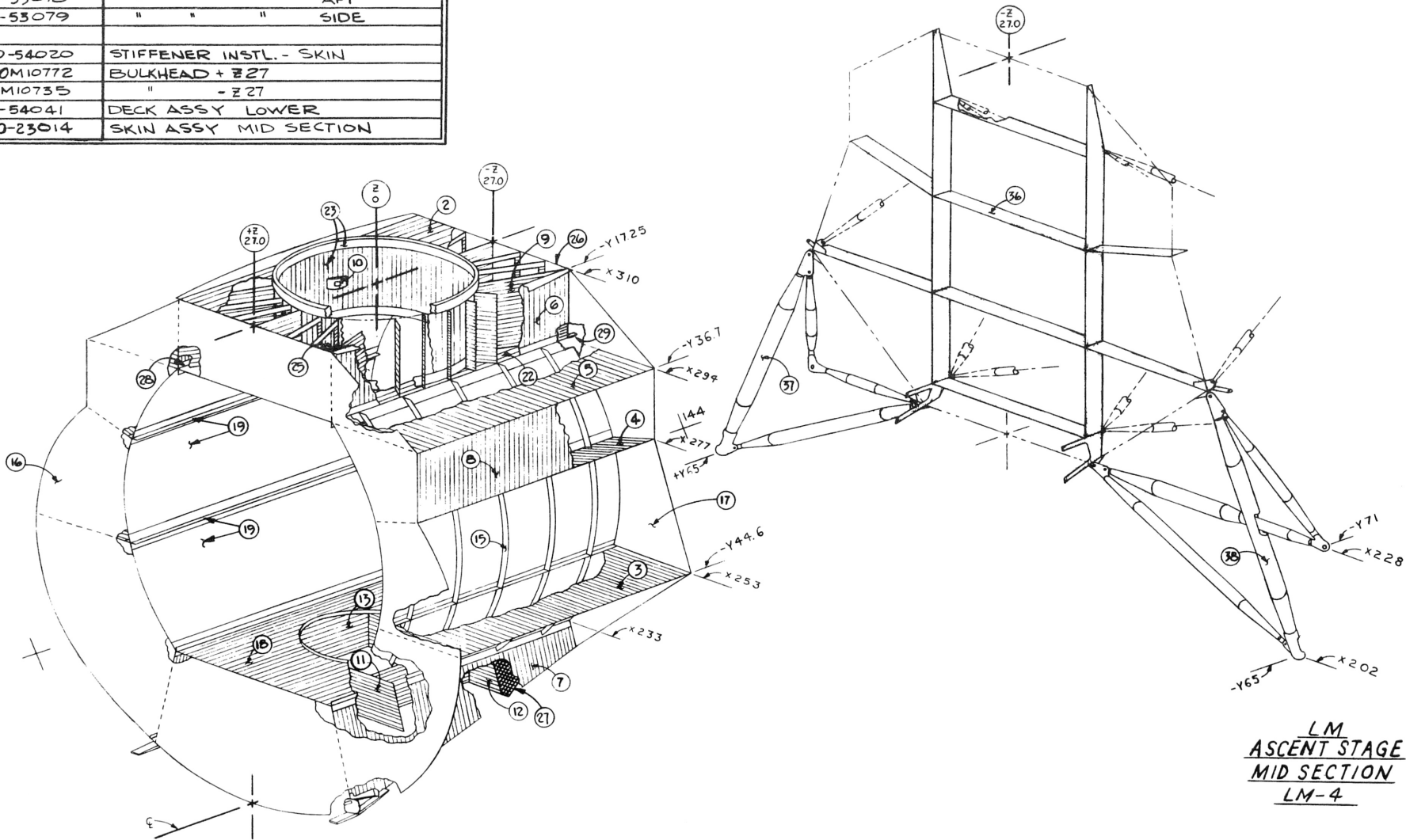


MID SECTION STRUCTURAL ASSEMBLY LDW280-54012

ITEM	DRAWING	TITLE
2	LDW280-54027	DECK ASSY X310
3	LDW280-23029	DECK INSTL X253
4	LDW280-23032	DECK ASSY & INSTL X277 CANTED
5	LDW280-23035	" " " " X294
6	LDW280-23028	BEAM ASSY & INSTL ±Y17.25
7	LDW280-54030	" " " " ±Y22
8	LDW280-23044	WEB INSTL ±Y36.7
9	LDW280-53050	" " DOCKING TUNNEL
10	LDW280-52076	FTG INSTL PKG. TNL DROGUE SUPT.
11	LDW280-23077	BEAM INSTL. ENGINE; FORWARD
12	LDW280-53078	" " " " AFT
13	LDW280-53079	" " " " SIDE
15	LDW280-54020	STIFFENER INSTL. - SKIN
16	LDW280M10772	BULKHEAD + Z27
17	LDW280M10735	" - Z27
18	LDW280-54041	DECK ASSY LOWER
19	LDW280-23014	SKIN ASSY MID SECTION

ITEM	DRAWING	TITLE
22	LDW280-54017	DECK ASSY UPPER X294
23	LDW280-54022	TUNNEL ASSY-UPPER DOCKING
25	LDW280-23126	FITTING INSTL + Z27, ±Y17.25
26	LDW280-23127	" " - Z27, ±Y17.25
27	LDW280-53100	STIFFENER INSTL. LOWER DECK
28	LDW280-23124	FITTING INSTL + Z27 ±17.25
29	LDW280-23125	" " - Z27 ±17.25

ITEM	DRAWING	TITLE
36	LDW280-54019	STIFFENER INSTL -Z27 BULKHEAD
37	LDW280-54036	AFT INTER STAGE TRUSS, LH.
38	LDW280-54037	" " " " , RH.



LM  
ASCENT STAGE  
MID SECTION  
LM-4

10-10-66  
ENGINEERING SCHEDULING - E.F.M. 4-13-65

SHEET 1  
SK17-32-34