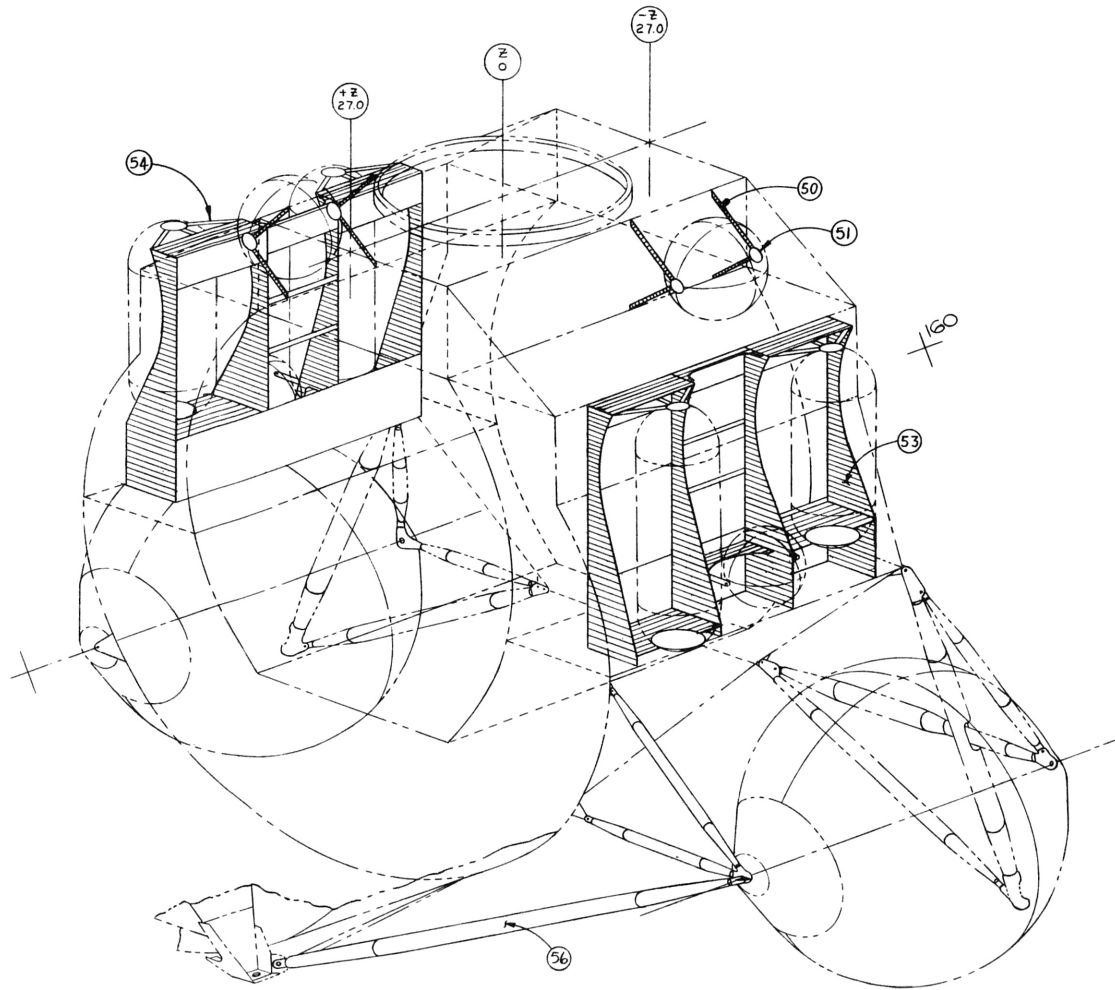


MID SECTION

ITEM	DRAWING	TITLE
	LDW280-23053	TANK INSTL - WATER
50	LDW280M10435	FITTING, WATER TANK, LWR SUPPORT
51	LDW280M10285	RETAINER, WATER TANK
	LDW280-54026	TANK SUPT. ASSY & INSTL, RCS
53	LDW280-10546	FRAME, TANK SUPT, RCS
54	LDW280-10556	ANGLE TANK SUPT, RCS
56	LDW280-23024	TANK SUPPORT ASSY-FUEL



LM
ASCENT STAGE
MID SECTION
LM-4

ALB 10-10-66
 ENGINEERING SCHEDULING - E.F.M. 4-29-65

SHEET 2
 SK17-32-34