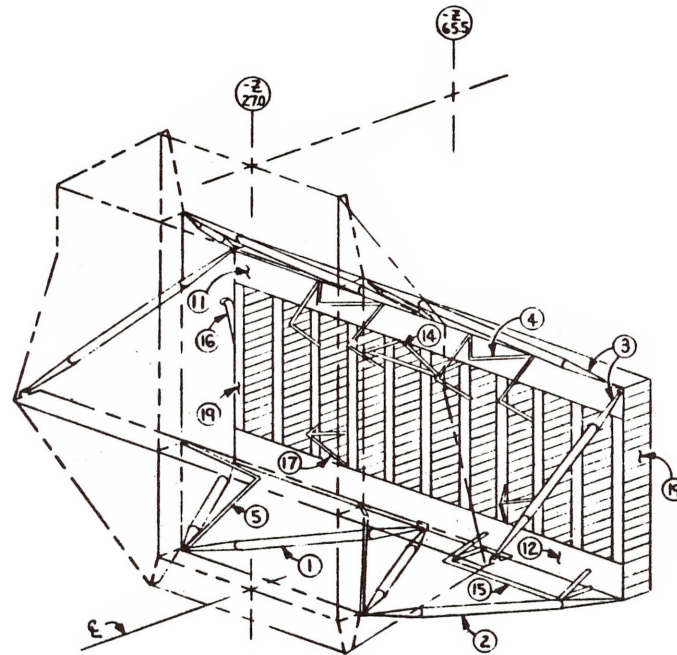


AFT EQUIP BAY STRUCT LDW 280-28401

ITEM	DRAWING	TITLE
1	LDW 280-28426	TUBE RACK SUPT, INBOARD
2	LDW 280-28427	" " " " OUTBOARD
3	LDW 280-28425	" " " " UPPER
4	LDW 280-28434	FITTING & HE SUPT INSTL
5	LDW 280-28405	RACK ASSEMBLY

⑤ RACK ASSEMBLY LDW 280-28405

ITEM	DRAWING	TITLE
11	LDW 280-11412	BEAM ASSY HORIZ UPR X 272
12	LDW 280-11413	" " " " LWR X 233
14	LDW 280-28421	SUPT INSTL UPR CENT.
15	LDW 280-28422	" " " " LWR OUTB.
16	LDW 280-28430	" " " " 5" BAND ANT
17	LDW 280-28435	" " " " GOX TANK
	LDW 280-28406	BEAM ASSY VERT 6
	LDW 280-28407	" " " " ±Y7
	LDW 280-28408	" " " " ±Y14
19	LDW 280-28409	" " " " ±Y21
	LDW 280-28410	" " " " ±Y28
	LDW 280-28411	" " " " ±Y35



LM
 ASCENT STAGE
 AFT EQUIPMENT BAY
 LM-

COMPLETE REVISION 7-20-67
 ENGINEERING SCHEDULE: P.R.R. 7-11-67
 7-11-67
 R.F.M. 32645

SK 17-33-18