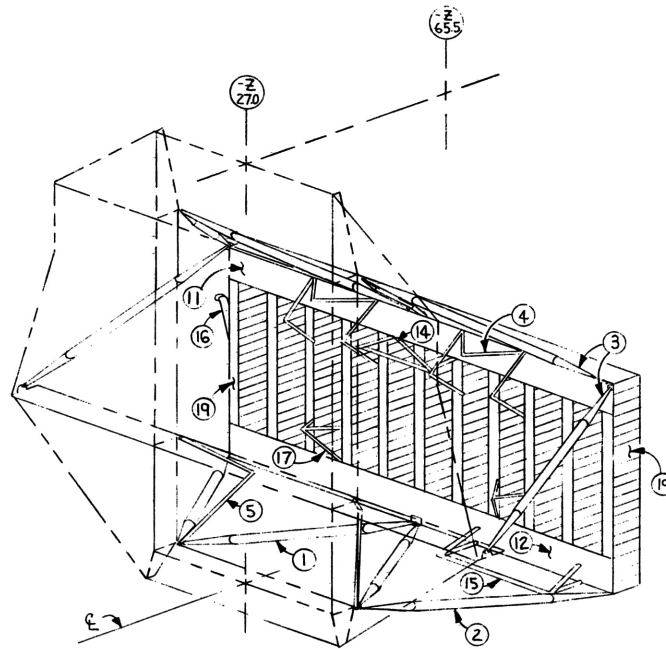


AFT EQUIP BAY STRUCT LDW 280-54401		
ITEM	DRAWING	TITLE
1	LDW 280-14222	TUBE RACK SUPT, INBOARD
2	LDW 280-14223	" " " OUTBOARD
3	LDW 280-14224	" " " UPPER
4	LDW 280-23434	FITTING & HE SUPT INSTL
5	LDW 280-54405	RACK ASSEMBLY

⑤ RACK ASSEMBLY LDW 280-54405		
ITEM	DRAWING	TITLE
11	LDW 280-14112	BEAM ASSY HORIZ UPR 272
12	LDW 280-14113	" " " LWR 233
14	LDW 280-23421	SUPT INSTL UPR CENT.
15	LDW 280-23422	" " " LWR OUTB.
16	LDW 280-23430	" " " 5" BAND ANT
17	LDW 280-23433	" " " GOX TANK
19	LDW 280-54406	BEAM ASSY VERT 6
	LDW 280-54407	" " " ±Y7
	LDW 280-54408	" " " ±Y14
	LDW 280-54409	" " " ±Y21
	LDW 280-54410	" " " ±Y28
	LDW 280-54411	" " " ±Y35



LM
 ASCENT STAGE
 AFT EQUIPMENT BAY
 LM-4

COMPLETE REVISION P.R.R. 7-11-67
 S.C.C. 10-10-66
 ENGINEERING SCHEDULING E.F.M. 3-26-65

SK 17-33-34