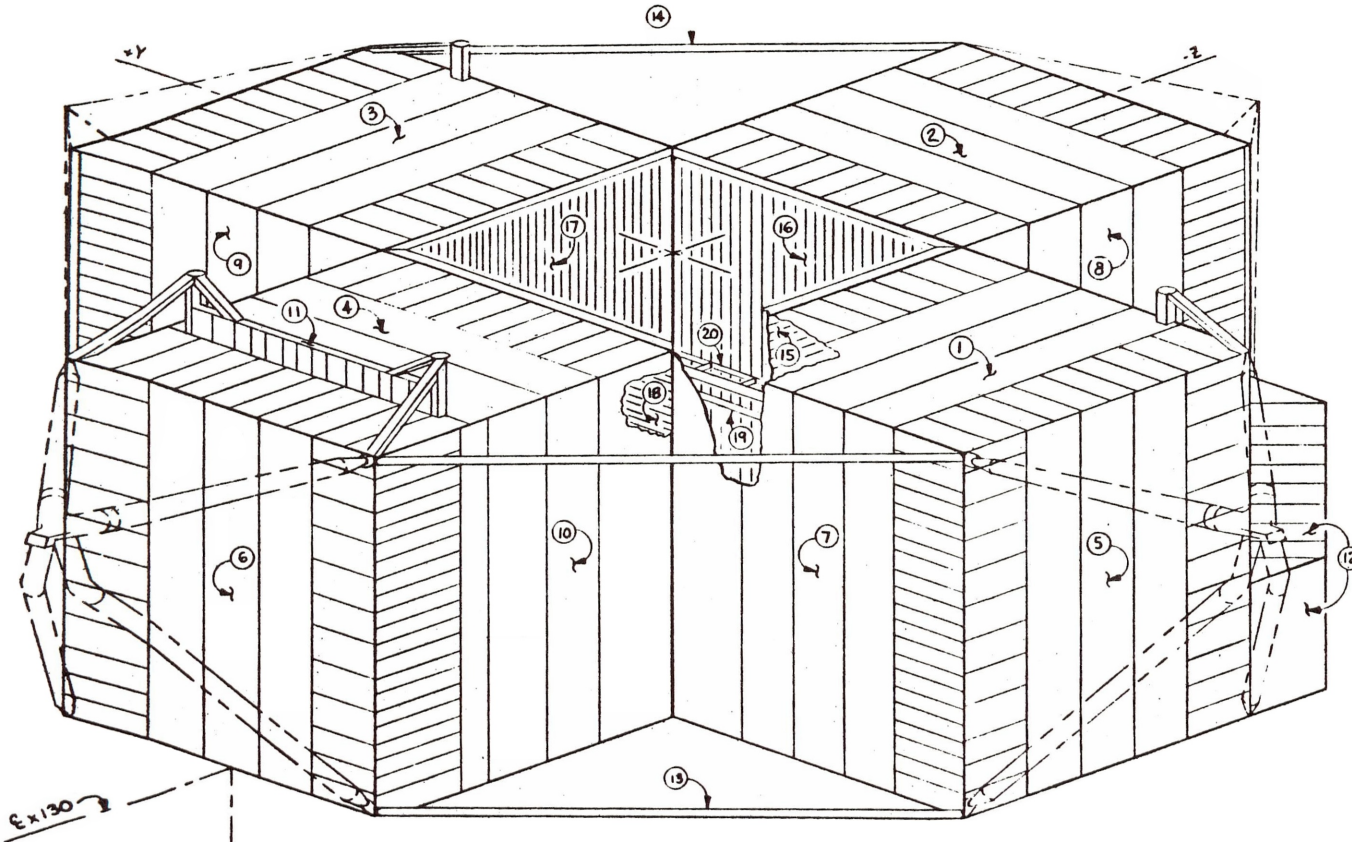


DESCENT STAGE STRUCTURE INSTL LDW 280-28510

ITEM	DRAWING	TITLE	ITEM	DRAWING	TITLE	ITEM	DRAWING	TITLE
1	LDW 280-25521	DECK INSTL LH UPPER	8	LDW 280-25539	PANEL INSTL AFT L.H.	15	LDW 280-25538	PANEL INSTL ENGL H
2	LDW 280-25523	" " " AFT		LDW 280-25536	" " " R.H.	16	LDW 280-28532	" " " AFT
3	LDW 280-28520	" " " R.H.	9	LDW 280-28528	" " " R.H. FWD	17	LDW 280-25535	" " " R.H.
4	LDW 280-25522	" " " FWD		LDW 280-28531	" " " AFT	18	LDW 280-25529	" " " FWD
5	LDW 280-25525	BULKHEAD INSTL L.H.	10	LDW 280-25537	" " " FWD L.H.	19	LDW 280-25550	BEAM " " TRUSS
	LDW 280-25524	" " " R.H.		LDW 280-28534	" " " R.H.	20	LDW 280-25551	" " " ACT
6	LDW 280-25526	" " " FWD	11	LDW 280-25540	BEAM ASSY SUPT			
	LDW 280-25527	" " " AFT	12	LDW 280-28569	SUPT INSTL SCI EQ BAY			
7	LDW 280-25530	PANEL INSTL LH FWD	13	LDW 280-25547	STRUT INSTL LWR			
	LDW 280-25533	" " " AFT	14	LDW 280-25549	" " " UPPER			



LM
DESCENT STAGE
STRUCTURE
LTA-8

7-20-67
PRK-7-14-67
ENGINEERING SCHEDULING 566-4-67
WAS SK17 50 SK-17-51-18