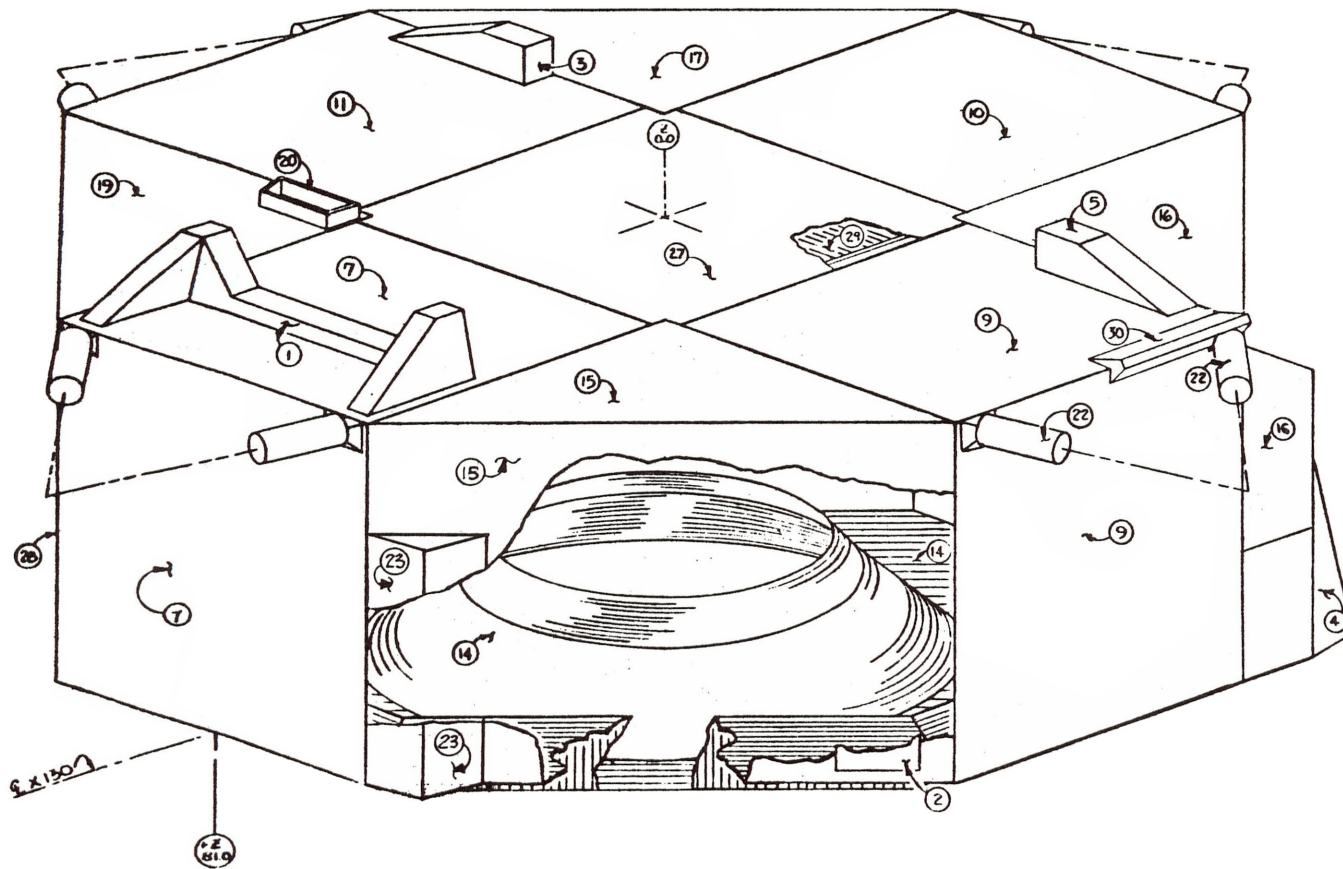


DESCENT STAGE			THERMAL SHIELDING			LDW 280-28553		
ITEM	DRAWING	TITLE	ITEM	DRAWING	TITLE	ITEM	DRAWING	TITLE
1	LDW280-28646	FORWARD INTERSTAGE	14	LDW280-28661	BASE HEAT SHIELD INSTL.	27	LDW280-28560	SHIELD INSTL. ENG. COMP.
2	LDW280-28645	ACCESS COV. INSTL. PLSS.	15	LDW280-28664	SHIELD INSTL. QUAD. I	28	LDW280-28561	SHIELD INSTL. QUAD. IV
3	LDW280-28646	BLANKET INSTL. AFT. RH. INF.	16	LDW280-28665	SHIELD INSTL. QUAD. II	29	LDW280-28635	BLAST DEFLECTOR INSTL.
4	LDW280-28646	ACCESS COVER SEQ. DAY	17	LDW280-28666	SHIELD INSTL. QUAD. III	30	LDW280-28816	SHIELD INSTL. He TEST PT.
5	LDW280-28649	L.H. AFT. INTERSTAGE						
7	LDW280-28656	FORWARD THERMAL	19	LDW280-28670	SHIELD INSTL. QUAD. IV			
			20	LDW280-28671	QUILLotine ACCESS COVER			
9	LDW280-28657	L.H. THERMAL	22	LDW280-28672	SHIELD INSTL. OUTRIGGER			
10	LDW280-28658	AFT. THERMAL						
11	LDW280-28659	R.H. THERMAL	23	LDW280-28724	COVER INSTL. S-BAND			



LM
DESCENT STAGE
THERMAL SHIELDING
LTA-8

7-20-67
P.R.R. 7-17-67
ENGINEERING SCHEDULING 488-15-67 SK-17-52-18