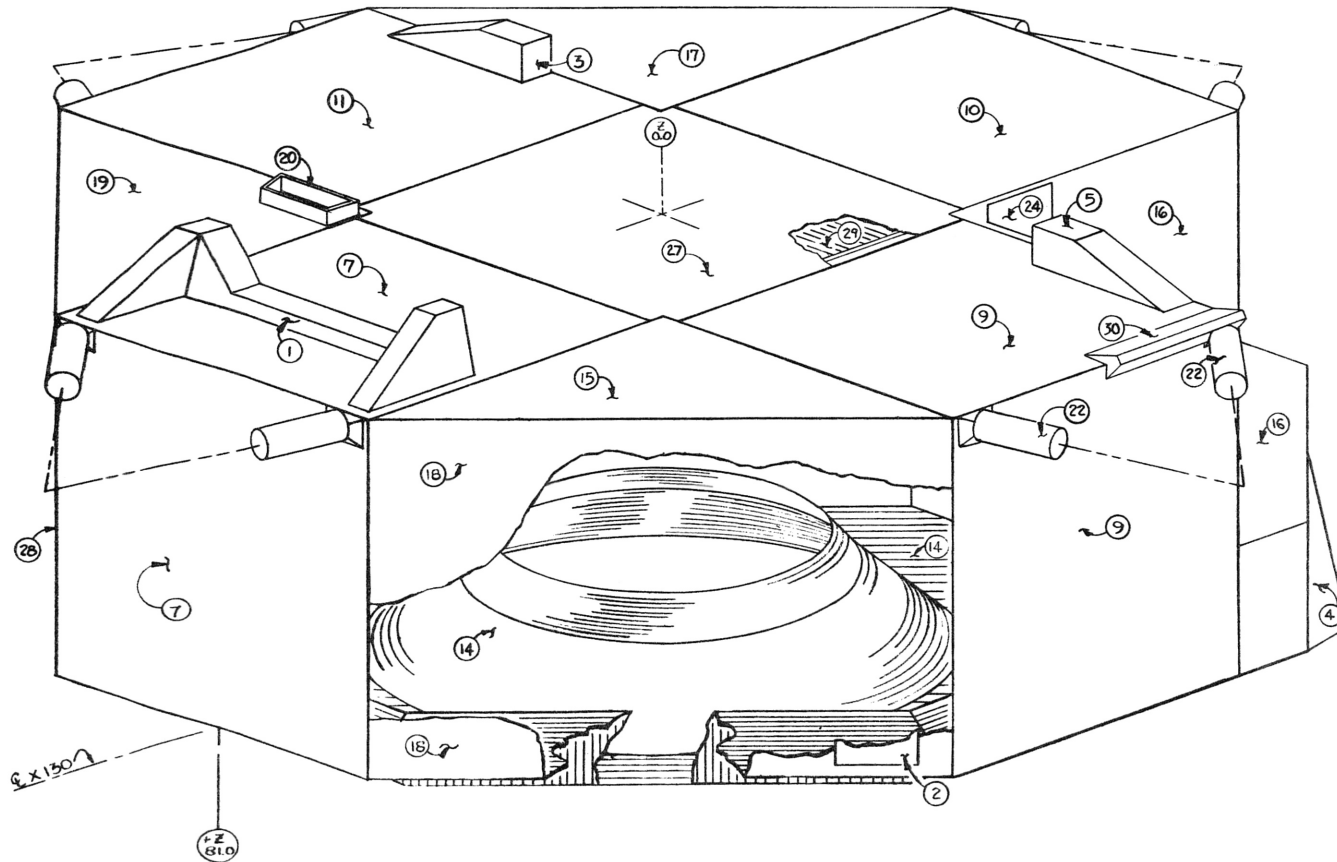


DESCENT STAGE			THERMAL SHIELDING			LDW 280-54553		
ITEM	DRAWING	TITLE	ITEM	DRAWING	TITLE	ITEM	DRAWING	TITLE
1	LDW280-28644	FORWARD INTERSTAGE	14	LDW280-28661	BASE HEAT SHIELD INSTL.	27	LDW280-51860	SHIELD INSTL. ENG. COMP.
2	LDW280-28645	ACCESS COV. INSTL. PLSS.	15	LDW280-54664	SHIELD INSTL. QUAD. I	28	LDW280-28561	SHIELD INSTL. QUAD. IV
3	LDW280-28646	BLANKET INSTL. AFT. RH. INF.	16	LDW280-52665	SHIELD INSTL. QUAD. II	29	LDW280-52635	BLAST DEFLECTOR INSTL.
4	LDW280-52648	ACCESS COVER SEQ. BAY	17	LDW280-28666	SHIELD INSTL. QUAD. III	30	LDW280-28816	SHIELD INSTL. He TEST PT.
5	LDW280-28649	L.H. AFT. INTERSTAGE	18	LDW280-34558	" " " " I			
			19	LDW280-28667	SHIELD INSTL. QUAD. IV			
7	LDW280-52656	FORWARD THERMAL	20	LDW280-51671	GUILLotine ACCESS COVER			
9	LDW280-51657	L.H. THERMAL	22	LDW280-28672	SHIELD INSTL. OUTTRIGGER			
10	LDW280-52658	AFT. THERMAL						
11	LDW280-52659	R.H. THERMAL						
			24	LDW280-51818	SHIELD ASSY & INSTL.			



LM
DESCENT STAGE
THERMAL SHIELDING
LM-4

P.R.R. 7-17-67
ENGINEERING SCHEDULING 488 1-5-67 SK-17-52-34