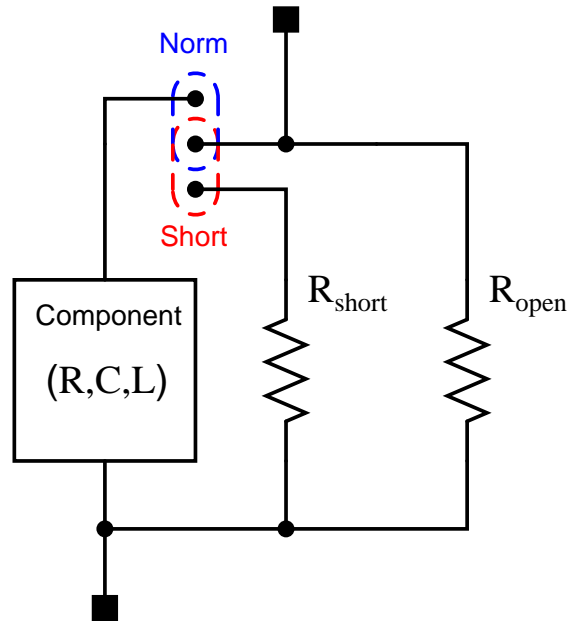


On-board fault resistances



Placing jumper between upper two header pins makes the component behave normally. Placing jumper between lower two header pins emulates a partially-shorted component. Removing jumper entirely emulates a partially open component.