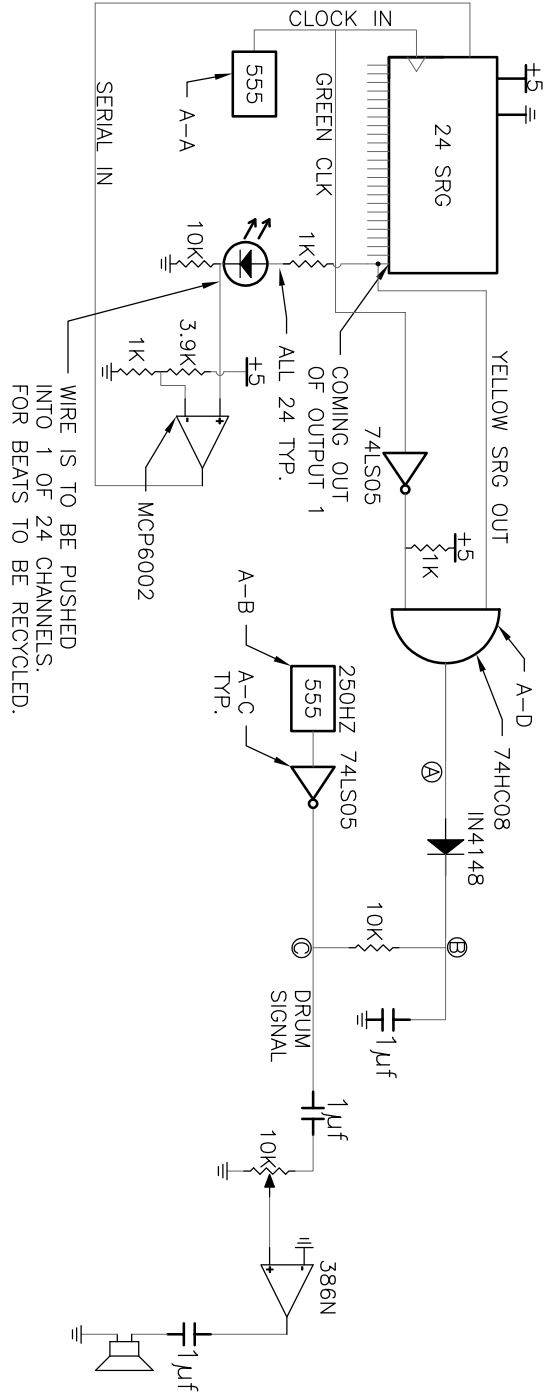


# OVERALL



	DRAWN BY: LPS	NO.	REV	COMMENTS	DATE
	CHECKED BY: AK				
	A SHEETS: 10F3	1			3/22/2026
	SCALE: NTS				