

# MODULAR ELECTRONICS LEARNING (MODEL) PROJECT



## BRIDGE CIRCUITS

© 2018-2024 BY TONY R. KUPHALDT – UNDER THE TERMS AND CONDITIONS OF THE  
CREATIVE COMMONS ATTRIBUTION 4.0 INTERNATIONAL PUBLIC LICENSE

LAST UPDATE = 2 OCTOBER 2024

This is a copyrighted work, but licensed under the Creative Commons Attribution 4.0 International Public License. A copy of this license is found in the last Appendix of this document. Alternatively, you may visit <http://creativecommons.org/licenses/by/4.0/> or send a letter to Creative Commons: 171 Second Street, Suite 300, San Francisco, California, 94105, USA. The terms and conditions of this license allow for free copying, distribution, and/or modification of all licensed works by the general public.



# Contents

<b>1</b>	<b>Introduction</b>	<b>3</b>
1.1	Recommendations for students . . . . .	3
1.2	Challenging concepts related to bridge circuits . . . . .	5
1.3	Recommendations for instructors . . . . .	7
<b>2</b>	<b>Tutorial</b>	<b>9</b>
2.1	Voltage divider networks . . . . .	10
2.2	Bridge networks . . . . .	11
2.3	Balanced bridge examples . . . . .	13
2.4	Resistance-measuring bridges . . . . .	14
2.5	Sensor bridges . . . . .	16
2.6	Power bridges . . . . .	21
<b>3</b>	<b>Historical References</b>	<b>23</b>
3.1	Early references to Wheatstone bridges . . . . .	24
<b>4</b>	<b>Questions</b>	<b>29</b>
4.1	Conceptual reasoning . . . . .	33
4.1.1	Reading outline and reflections . . . . .	33
4.1.2	Foundational concepts . . . . .	35
4.1.3	Edison’s bridge . . . . .	36
4.1.4	Thermistor bridge circuit . . . . .	37
4.2	Quantitative reasoning . . . . .	38
4.2.1	Miscellaneous physical constants . . . . .	39
4.2.2	Introduction to spreadsheets . . . . .	40
4.2.3	Two voltage divider networks . . . . .	43
4.2.4	Ground-referenced and differential voltage measurements . . . . .	44
4.2.5	Balancing a resistive bridge . . . . .	45
4.2.6	Using a primitive bridge to measure resistance . . . . .	47
4.2.7	Unknown excitation voltage . . . . .	48
4.3	Diagnostic reasoning . . . . .	49
4.3.1	Thermistor bridge faults . . . . .	50
4.3.2	Failed photocell bridge . . . . .	51

<i>CONTENTS</i>	1
<b>5 Projects and Experiments</b>	<b>53</b>
5.1 Recommended practices . . . . .	53
5.1.1 Safety first! . . . . .	54
5.1.2 Other helpful tips . . . . .	56
5.1.3 Terminal blocks for circuit construction . . . . .	57
5.1.4 Conducting experiments . . . . .	60
5.1.5 Constructing projects . . . . .	64
5.2 Experiment: pencil-trace bridge circuit . . . . .	65
<b>A Problem-Solving Strategies</b>	<b>67</b>
<b>B Instructional philosophy</b>	<b>69</b>
<b>C Tools used</b>	<b>75</b>
<b>D Creative Commons License</b>	<b>79</b>
<b>E References</b>	<b>87</b>
<b>F Version history</b>	<b>89</b>
<b>Index</b>	<b>90</b>



# Chapter 1

## Introduction

### 1.1 Recommendations for students

A very useful and interesting circuit configuration called a *bridge* finds wide application for measurement and power-conversion purposes. In its full form with a total of five components it is neither series nor parallel, but something else entirely. This module explores the basic principles of bridge circuits.

Important concepts related to bridge circuits include **voltage dividers**, **Kirchhoff's Voltage Law**, mathematical **ratios**, **piezoresistive** sensors, **opens** versus **shorts**, **limiting cases**, properties of **series** versus **parallel** networks, **diodes**, AC-to-DC **rectification** circuits, **transistors**, and DC-to-AC **inversion**.

Here are some good questions to ask of yourself while studying this subject:

- How might an experiment be designed and conducted to demonstrate the behavior of a voltage divider network? What hypothesis (i.e. prediction) might you pose for that experiment, and what result(s) would either support or disprove that hypothesis?
- How might an experiment be designed and conducted to demonstrate the behavior of a Wheatstone bridge network? What hypothesis (i.e. prediction) might you pose for that experiment, and what result(s) would either support or disprove that hypothesis?
- How does a voltage divider function?
- What is voltage and how is it measured?
- What is necessary to make a resistive bridge circuit *balanced*?
- How may a bridge circuit be used to measure resistance?
- How may a resistive bridge circuit be used to measure physical parameters such as mechanical strain?

- What algebraic principles were used in the manipulation of the voltage divider formulae to arrive at a balanced-bridge formula?
- What is a *limiting case*, and how may this problem-solving technique be applied to bridge circuits?
- What is the guaranteed effect of a *short* in a circuit?
- What is the guaranteed effect of an *open* in a circuit?
- Which properties of series networks find application in bridge circuits?
- Which properties of parallel networks find application in bridge circuits?
- When using a Wheatstone bridge circuit to measure an unknown resistance, what aspects of the circuit must be accurately known?
- When using a Wheatstone bridge circuit to measure an unknown resistance, what aspects of the circuit may be inaccurate or unknown without affecting the accuracy of the unknown resistance's measurement?
- How are strain-gauge bridge circuits made insensitive to changes in temperature, and why is this important?
- How does a *bridge rectifier* convert alternating current into direct current?
- How does a *bridge inverter* convert direct current into alternating current?

## 1.2 Challenging concepts related to bridge circuits

The following list cites concepts related to this module's topic that are easily misunderstood, along with suggestions for properly understanding them:

- **Fractions** – of all the basic mathematical concepts, *fractions* seem to cause my students the greatest amount of trouble. Informal polls I've taken suggest a deficiency in our public-education math curriculum, where many students are encouraged to use electronic calculators to perform simple calculations, avoiding the use of fractions to perform mental arithmetic. Some students tell me fractions simply aren't emphasized much at all. This deficit causes much trouble when they must apply fractions to algebraic expressions, particularly when they must multiply or divide fractions together in order to manipulate an equation to solve for certain variables. As an instructor you should anticipate spending time in class reviewing and applying basic fractional arithmetic: how to add and subtract fractions, how to multiply and divide fractions, and how to reduce compound fractions to simpler forms. With regard to the application of fractions to equation manipulation, I recommend *multiplying by a fraction's reciprocal* in order to cancel out a fraction-multiplication as opposed to *dividing by that fraction*, since the division of one fraction by another naturally creates a compound fraction which then must be reduced in a subsequent step.
- **Voltage polarity symbols** – the “+” and “–” symbols used to denote voltages in circuits only have meaning as *pairs* and do not mean anything on their own.
- **Voltage as a relative quantity** – this is arguably one of the most difficult concepts students first encounter when studying electricity: understanding that voltage is a *difference* in energy levels between two locations, and not something that can exist at any single point. In this respect, voltage is similar to *distance* which is always something existing *between* two specified points.
- **Choosing KVL loops** – the choice of which pathway to “step around” in any electrical network while applying Kirchhoff's Voltage Law is completely arbitrary so long as the path ends where it began. The loop need not follow in the same direction as current, nor need it even follow conductors, nor need it include a source! What you are doing when tracing a KVL loop is taking an imaginary “test charge” on a journey to various points in an electrical network and tallying how much energy that charge would have to gain or lose if it moved from one point to another. The path that imaginary “test charge” takes is utterly irrelevant to the truth of KVL, as is the means by which it might move from point to point along that path. To have practical value, any KVL loop we trace should have but one unknown voltage in it (i.e. one interval between points where we do not yet know the voltage) with all the other voltage values known.
- **Differentiating series from parallel connections** – series networks are defined by having just a single path for current between multiple components, whereas parallel networks are defined as having components span the same two sets of electrically common points. An interesting feature of five-resistor bridge networks is that no two resistors are in series or in parallel, making the bridge configuration truly unique! However, all laws learned for analyzing series and parallel networks still apply: Ohm's Law, Joule's Law, Kirchhoff's Voltage Law, Kirchhoff's Current Law, etc.



- **Schematic annotation as a problem-solving tool** – as an instructor you will find most students new to the study of electronics attempt to solve circuit-analysis problems by inspection, or by plugging given values into familiar equations until something resembling an answer emerges. Such efforts are usually fruitless because it is difficult to track the real-world context of every circuit parameter doing things this way. You will need to demonstrate, encourage, and at times *require* your students to apply the alternative strategy of first sketching a schematic diagram of the circuit and then annotating it with all known values. Once the given information gains context through this annotation, appropriate principles (e.g. Ohm's Law, KVL, KCL) are much easier to identify and then properly apply for that circuit. Then, as calculated values get annotated on the same schematic diagram the next logical steps to follow become easier and easier to identify. I recommend using different colors to label different parameters (e.g. blue for voltage, red for current, black for component values, green for power). Students should have blank “scratch” paper and writing instruments with them at all times, even during discussions, so as to neatly organize information and to articulate and focus their thoughts!

## 1.3 Recommendations for instructors

This section lists realistic student learning outcomes supported by the content of the module as well as suggested means of assessing (measuring) student learning. The outcomes state what learners should be able to do, and the assessments are specific challenges to prove students have learned.

- **Outcome** – Demonstrate effective technical reading and writing
  - Assessment – Students present their outlines of this module’s instructional chapters (e.g. Case Tutorial, Tutorial, Historical References, etc.) ideally as an entry to a larger Journal document chronicling their learning. These outlines should exhibit good-faith effort at summarizing major concepts explained in the text.
  - Assessment – Students show how resistance values needed to balance a bridge network were obtained by the author in the Tutorial chapter’s examples.
  
- **Outcome** – Apply the concept of resistance ratios to bridge network balancing
  - Assessment – determine proper resistance values to balance a Wheatstone bridge network; e.g. pose problems in the form of the “Balancing a resistive bridge” Quantitative Reasoning question.
  
- **Outcome** – Apply Kirchhoff’s Voltage Law to unbalanced bridge circuit analysis
  - Assessment – predict DC voltage and polarity between specified points within an unbalanced bridge circuit; e.g. pose problems in the form of the “Ground-referenced and differential voltage measurements” Quantitative Reasoning question.
  
- **Outcome** – Apply the problem-solving strategy of Limiting Cases
  - Assessment – predict qualitative changes in voltage for bridge circuits given some stimulus or component value change; e.g. pose problems in the form of the “Thermistor bridge circuit” Conceptual Reasoning question.
  
- **Outcome** – Independent research
  - Assessment – Locate datasheets for load cells and identify the strain-gauge resistance(s) contained within.
  - Assessment – Locate datasheets for bridge rectifier ICs and identify the rectifying diodes contained within.
  - Assessment – Locate datasheets for H-bridge transistor modules and identify how the individual transistors contained within connect to form a bridge.

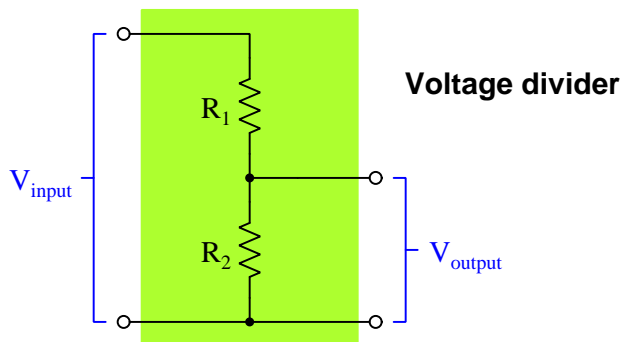


## Chapter 2

# Tutorial

## 2.1 Voltage divider networks

A very important circuit configuration known as a *voltage divider* consists of series-connected resistances, its purpose being to divide an applied voltage into smaller proportions. A simple example of a voltage divider appears in this schematic diagram, shown by itself with no power source connected, but with terminals provided for input and output voltages:



The characteristic formula for a voltage divider, predicting the amount of voltage dropped across any one of the series resistances  $R$ , is as follows:

$$V_{output} = V_{input} \left( \frac{R}{R_{total}} \right)$$

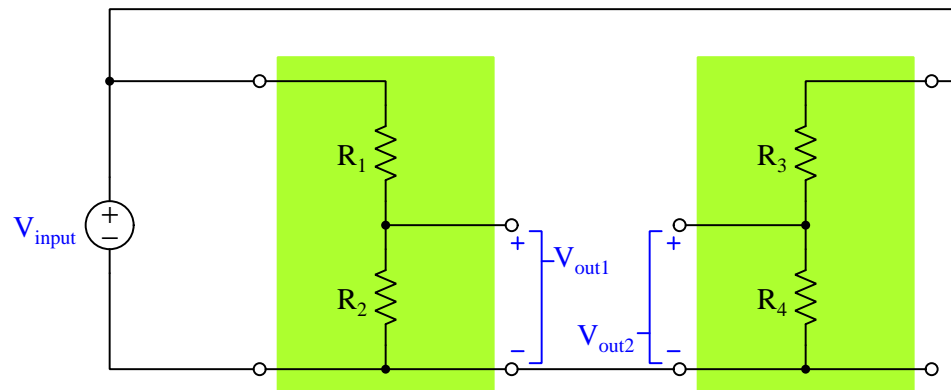
In the case of the two-resistor voltage divider illustrated above, the formula could be written as:

$$V_{output} = V_{input} \left( \frac{R_2}{R_1 + R_2} \right)$$

The ratio of output voltage to input voltage  $\left( \frac{V_{output}}{V_{input}} \right)$  is established by the ratio of one resistance to the total resistance  $\left( \frac{R}{R_{total}} \right)$ , and is completely independent of the applied (input) voltage. Regardless of  $V_{input}$ 's magnitude, the ratio  $\frac{V_{output}}{V_{input}}$  must always be equal to  $\frac{R_2}{R_1 + R_2}$ .

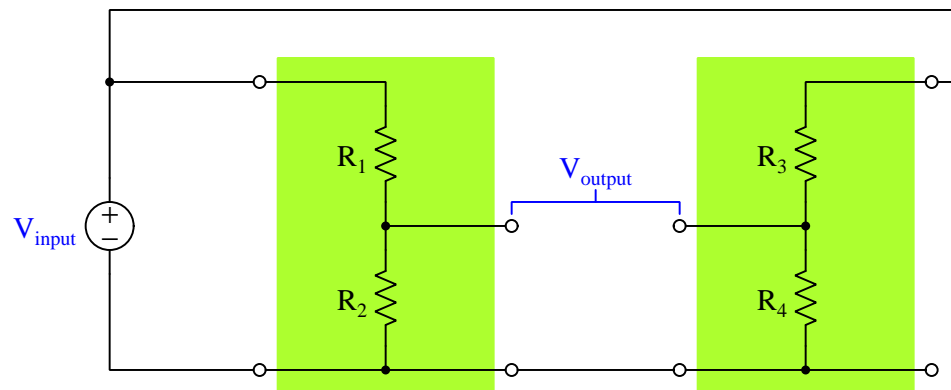
## 2.2 Bridge networks

Now consider *two* voltage divider networks powered by the same source voltage:



The output of the left-hand divider ( $V_{out1}$ ) will be the fraction of  $V_{input}$  set by the ratio of  $\frac{R_2}{R_1+R_2}$ , while the output of the right-hand divider ( $V_{out2}$ ) will be the fraction of  $V_{input}$  set by the ratio of  $\frac{R_4}{R_3+R_4}$ . If the ratios  $\frac{R_2}{R_1+R_2}$  and  $\frac{R_4}{R_3+R_4}$  happen to be equal to each other, then the two output voltages  $V_{out1}$  and  $V_{out2}$  will be equal to each other as well, being identical proportions of the same input voltage ( $V_{input}$ ).

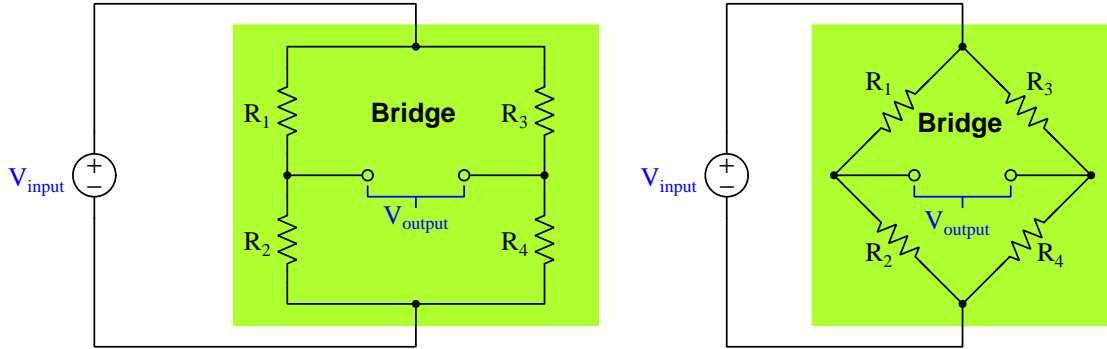
If we define the “output” voltage of this circuit to be the difference of potential between the two open terminals rather than have two output voltages, we see that it must be the *difference* between what was formerly labeled  $V_{out1}$  and  $V_{out2}$ :



The fact that  $V_{output} = V_{out1} - V_{out2}$  is evident if we apply Kirchhoff’s Voltage Law around a loop encompassing the two open terminals and the wire connecting the two divider networks together at the bottom. If we imagine the ratios of the two dividers being equal (i.e.  $\frac{R_2}{R_1+R_2} = \frac{R_4}{R_3+R_4}$ ) then

this output voltage must be zero, because there will be no *difference* between the individual output voltages of each divider network.

Such a resistance network, comprised of two voltage dividers with the output voltage signal being a comparison of the two dividers' outputs, is commonly referred to as a *bridge* network, and is typically drawn in one of the following forms:



Note that these two networks are electrically identical. They only differ in orientation (i.e. angled resistors and connecting wires), not in the components or the connections. Although the “diamond” (right) depiction is more common, you should feel free to think of bridge circuits drawn rectangularly (left) if this is helpful.

A bridge circuit is said to be *balanced* when its two voltage divider sub-networks have equal voltage-division ratios, thereby causing  $V_{output}$  to be zero. With some algebraic manipulation, we may simplify the “balance equation” for this bridge circuit even more:

$$\frac{R_2}{R_1 + R_2} = \frac{R_4}{R_3 + R_4}$$

$$\frac{R_1 + R_2}{R_2} = \frac{R_3 + R_4}{R_4}$$

$$\frac{R_1}{R_2} + \frac{R_2}{R_2} = \frac{R_3}{R_4} + \frac{R_4}{R_4}$$

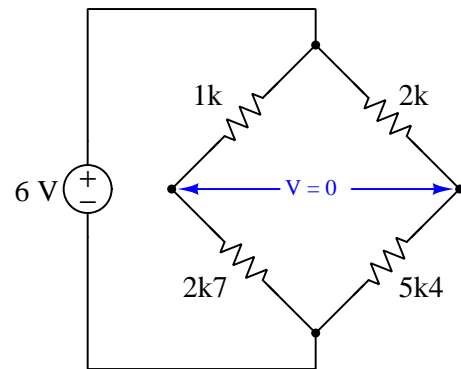
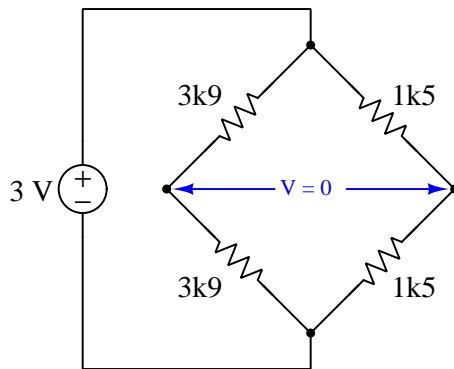
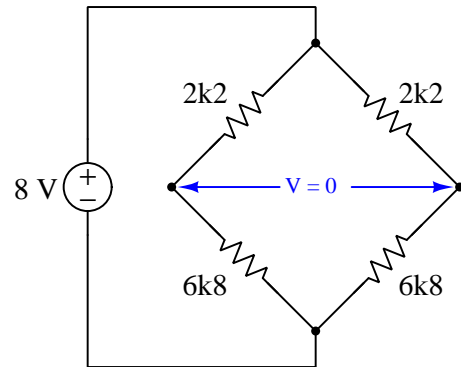
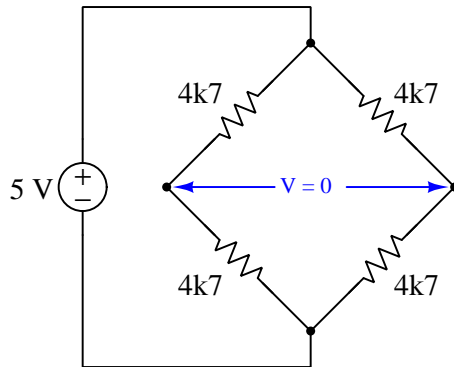
$$\frac{R_1}{R_2} + 1 = \frac{R_3}{R_4} + 1$$

$$\frac{R_1}{R_2} = \frac{R_3}{R_4}$$

With this simple equation, it is possible to use a bridge circuit to compare the value of an unknown resistance against the values of three known resistances. If such a bridge circuit is constructed, energized, and then one of its known resistances varied until a “balanced” condition is achieved, the value of the unknown resistance may be found by solving the balance equation for that one resistance.

## 2.3 Balanced bridge examples

Each of the following bridge circuits is electrically balanced, and we may tell this is true by comparing the resistance ratios from one side of the bridge network to the other. Examine each of these example circuits, and prove to yourself that the ratios in each case are indeed equal:



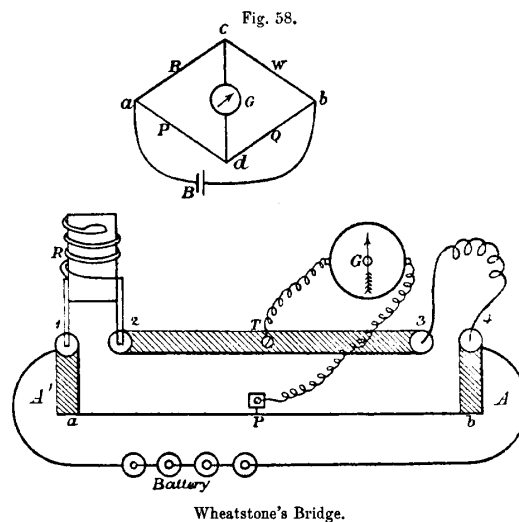
Whether we compare the upper/lower resistance ratio on the left side against the upper/lower resistance ratio on the right side for equality, or we compare left/right resistance ratio on the upper half against the left/right ratio on the lower half, equal ratios mean the bridge is balanced. Note that balance depends *only* on these resistance ratios being equal, and not on the voltage source's magnitude.

Comparing ratios on the lower-right bridge example, we see that  $\frac{1000}{2700} = \frac{2000}{5400}$ ,  $\frac{1000}{2700}$  representing the ratio for the two left-side resistors and  $\frac{2000}{5400}$  representing the ratio for the two right-side resistors. Alternatively, we may compare resistance values along the other dimensional axis and see that  $\frac{1000}{2000} = \frac{2700}{5400}$ ,  $\frac{1000}{2000}$  being the ratio for the two upper resistors and  $\frac{2700}{5400}$  being the ratio for the two lower resistors.



## 2.4 Resistance-measuring bridges

Bridge circuits were first used as a means of measuring unknown resistance values, by providing a relatively easy way to compare known (“standard”) resistances against an unknown resistance. An illustration from John Ambrose Fleming’s book *Short Lectures to Electrical Artisans* written in 1886 shows a typical resistance-measuring bridge of that era, commonly referred to as a *Wheatstone bridge* after being popularized by the English scientist Sir Charles Wheatstone:



The unknown resistance in this example is a length of wire connected between terminals 3 and 4 in the pictorial diagram, labeled  $w$  in the schematic diagram. A “standard” resistor of known resistance ( $R$ ) was connected between terminals 1 and 2. These two resistances – the coiled wire and the standard resistor – formed one of the two voltage-divider networks of the bridge, representing the path  $b-c-a$  in the schematic diagram. A length of fine-gauge “German silver” wire<sup>1</sup> stretched between  $A'$  and  $A$  in the pictorial diagram (path  $a-d-b$  in the schematic) with a sliding contact  $P$  formed a primitive potentiometer which acted as an adjustable voltage divider for the other half of the bridge network. A very sensitive *galvanometer* ( $G$ ) acted as the “null” sensor to indicate when the bridge was balanced by showing zero in the balanced condition. When both of the bridge’s voltage-dividing networks had the exact same ratio, there would be no electrical potential difference between the terminals of the galvanometer which would make that instrument register zero.

<sup>1</sup>*German silver* is actually a metal alloy of copper, nickel, and zinc with the lustrous appearance of silver but a much greater electrical resistivity than actual silver. Its temperature coefficient of resistance is also low.

If the wire's resistance happened to equal the standard resistor's, the bridge would balance when the slider was moved precisely to the mid-way position along the potentiometer. For any condition where  $R_{unknown} \neq R_{standard}$ , the bridge would become balanced whenever the slider was moved to that same *proportional* position along the potentiometer's slide-wire. For example, if  $R_{wire} = 150$  Ohms and  $R_{standard} = 250$  Ohms, the galvanometer would finally register zero when the slider was moved to the position matching that same proportion:

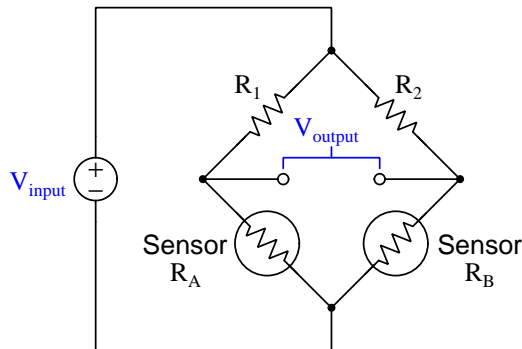
$$\frac{150}{250} = \frac{(P - b) \text{ distance}}{(P - a) \text{ distance}}$$

Although this may seem like a strange and tedious way to measure resistance, bear in mind that accurate electrical meters were difficult to obtain in 1886. It was far more practical at that time to build your own standard resistor using wire of known metal composition and gauge than it was to fabricate a meter that could measure voltage or current with comparable accuracy. The galvanometer used in a bridge network did not have to be accurate in the modern sense of the term: it merely had to tell the difference between zero and non-zero. Any sufficiently sensitive meter would suffice for this purpose. Also, the bridge circuit's accuracy did not depend on the power source being stable: even if the battery's voltage decreased or drifted over time you could still make accurate resistance measurements using the bridge because balancing that circuit was strictly a matter of matching *ratios* of resistance, and doing that was as simple as measuring *ratios* of physical distance (length) where the sliding contact touched the slide-wire. *In other words, this system allowed experimenters to accurately measure electrical resistance simply by using a ruler!* The beauty of a bridge measurement network is that it is based solely on ratios of component values, and therefore we refer to this as a *ratiometric* system.

As electrical meter technology improved, bridge circuits still remained a viable way to measure resistance with high accuracy. Other types of bridge circuits were developed for ratiometric measurement including measurement of component characteristics such as capacitance and inductance.

## 2.5 Sensor bridges

Bridge circuits are also useful for comparing physical quantities that result in electrical resistance variations. If we construct a bridge circuit where two of the resistances are resistive *sensors* (e.g. photocells<sup>2</sup>, strain gauges<sup>3</sup>, thermistors<sup>4</sup>, etc.), the output voltage of the bridge circuit becomes a representation of that physical comparison:



If fixed resistors  $R_1$  and  $R_2$  are equal and sensors A and B are identical, then the bridge circuit will be balanced whenever those two sensors experience the same amount of stimulus. However, if one sensor experiences a different amount of stimulus than the other, the bridge circuit will become “unbalanced” resulting in a voltage between its output terminals, the magnitude of that voltage increasing as the sensed difference increases. The polarity of an unbalanced bridge circuit’s output voltage indicates which sensor detects more stimulus. For the dual-sensor bridge shown above, an increase in sensor resistance  $R_A$  will result in the left-hand output terminal becoming more positive and the right-hand terminal becoming more negative because that increase in  $R_A$  causes the left-hand voltage divider sub-network’s ratio to increase while the right-hand divider’s ratio remains unchanged.

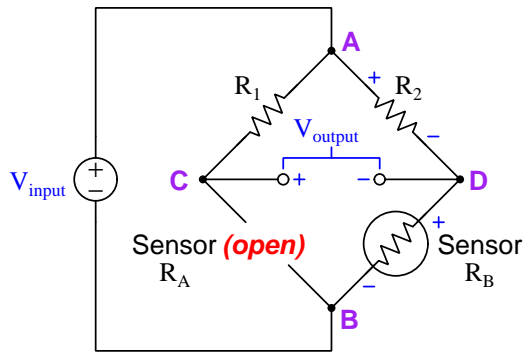
A useful problem-solving technique for determining the output voltage polarity of an unbalanced bridge circuit is to imagine the given change in sensor resistance being extreme rather than modest. For example, if we wish to determine the output voltage polarity in the above bridge circuit given an increase in  $R_A$  beyond a balanced condition, we may simply imagine  $R_A$  becoming infinite, which is equivalent to  $R_A$  becoming *open*. This technique of considering an extreme version of the given condition is called *limiting cases*, since an open resistor is the limiting case for a resistance increase. Likewise, if the scenario were sensor  $R_A$  decreasing in resistance, we could apply this same technique by imagining the effects of  $R_A$  *shorting*. The power of this problem-solving technique lies in the fact that the circuit generally becomes simpler to analyze once components are eliminated by replacement with either shorts or opens.

<sup>2</sup>A *photocell* exhibits a resistance varying with light exposure.

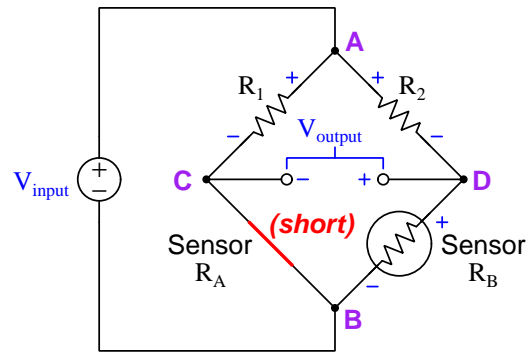
<sup>3</sup>A *strain gauge* is a thin conductor made longer and thinner by the application of physical tension (stretching), and shorter and thicker by physical compression. Thus, a strain gauge’s resistance increases with tension and decreases with compression. When bonded to a specimen, a strain gauge is able to sense how far that specimen strains (i.e. stretches or compresses) with applied force, which may be used to infer the amount of physical force being applied to that specimen.

<sup>4</sup>A *thermistor’s* resistance varies with temperature.

Here we see the “limiting cases” technique applied to both  $R_A$  increasing and  $R_A$  decreasing in this bridge circuit:



An *open*  $R_A$  is the limiting case of  $R_A$  *increasing* resistance

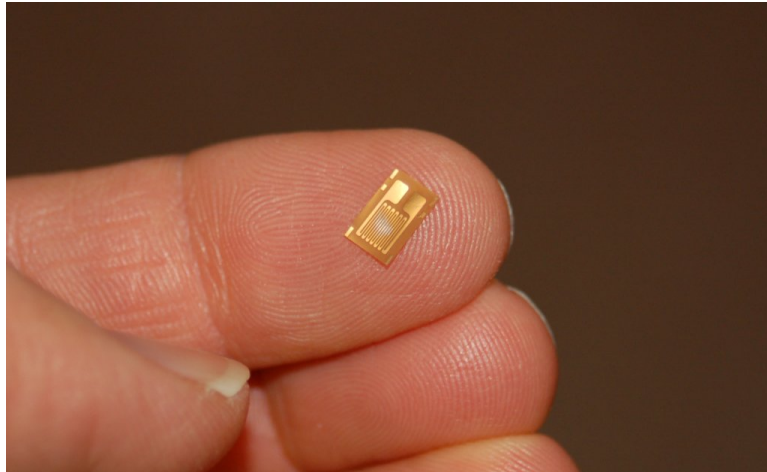


A *shorted*  $R_A$  is the limiting case of  $R_A$  *decreasing* resistance

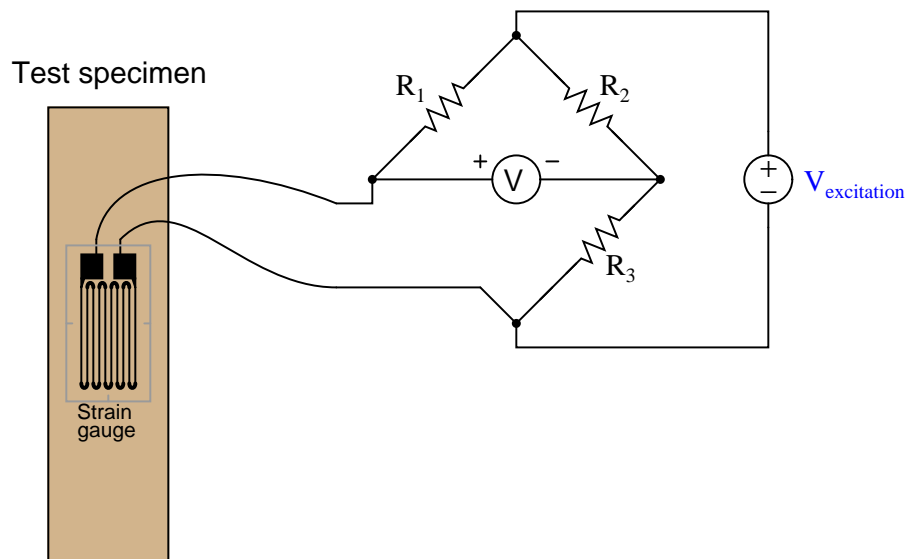
In the  $R_A$  increase scenario, we replace sensor  $R_A$  with an *open* to simulate the limiting case of more resistance. This has the effect of halting current through resistor  $R_1$ , since the open  $R_A$  prevents current through the series sub-network of  $R_1$  and  $R_A$ . Zero current passing through the finite resistance of  $R_1$  results in zero voltage dropped across  $R_1$ , and zero voltage across  $R_1$  makes points A and C in the bridge circuit equipotential. When points A and C become equipotential, the voltage between the output terminals becomes the same as the voltage dropped across resistor  $R_2$  (i.e. the voltage between points A and D), since the right-hand output terminal is already electrically common to D and the left-hand terminal is now equipotential to A. Another perspective is to consider the output terminals as being essentially in *parallel* with  $R_2$  now that  $R_A$  is open and  $R_1$  conducts no current, and therefore the output terminals must exhibit the same voltage between them as across resistor  $R_2$ .

In the  $R_A$  decrease scenario, we replace sensor  $R_A$  with a *short* to simulate the limiting case of less resistance. This has the effect of making points B and C electrically common, and therefore equipotential to each other. With points B and C now electrically common, the voltage between the output terminals becomes the same as the voltage dropped across sensor  $R_B$  (i.e. the output terminals are now literally in *parallel* with  $R_B$  and therefore must share the same voltage).

One of the most common applications for this kind of bridge circuit is in strain measurement, where the mechanical strain of an object is converted into an electrical signal. The sensor used here is a device known as a *strain gauge*: a folded wire designed to stretch and compress with the object under test, altering its electrical resistance accordingly. Strain gauges are typically quite small, as shown by this photograph:



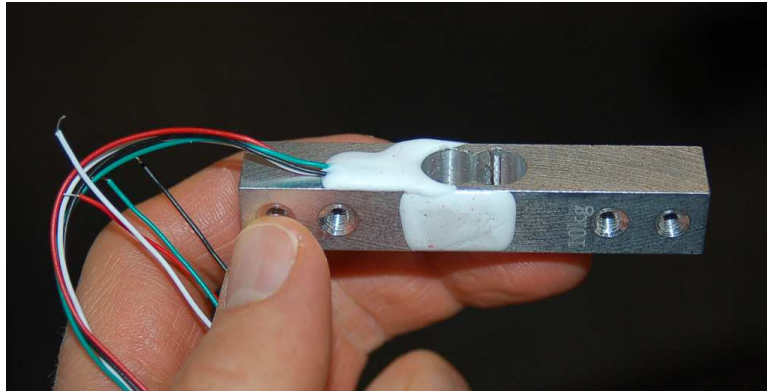
Strain gauges are useful when bonded to metal specimens, providing a means of electrically sensing the strain (“stretching” or “compressing” of that specimen). The following bridge circuit is a typical application for a strain gauge:



When the specimen is stretched along its long axis, the metal wires in the strain gauge stretch with it, increasing their length and decreasing their cross-sectional area, both of which work to

increase the wire's electrical resistance. This stretching is microscopic in scale, but the resistance change is measurable and repeatable within the specimen's elastic limit. In the above circuit example, stretching the specimen will cause the voltmeter to read upscale (as defined by the polarity marks). Compressing the specimen along its long axis has the opposite effect, decreasing the strain gauge resistance and driving the meter downscale.

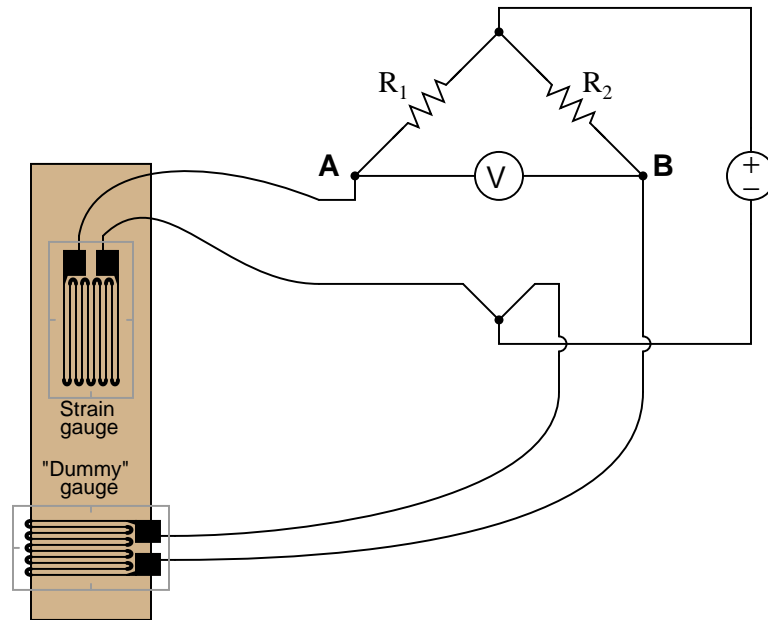
Strain gauges are used to precisely measure the strain (stretching or compressing motion) of mechanical elements. One application for strain gauges is the measurement of strain on machinery components, such as the frame components of an automobile or airplane undergoing design development testing. Another application is in the measurement of force in a device called a *load cell*. A "load cell" is comprised of one or more strain gauges bonded to the surface of a metal structure having precisely known elastic properties. This metal structure will stretch and compress very precisely with applied force, as though it were an extremely stiff spring. The strain gauges bonded to this structure measure the strain, translating applied force into electrical resistance changes. You can see what a load cell looks like in the following photograph:



Strain gauges are not the only dynamic element applicable to bridge circuits. In fact, any resistance-based sensor may be used in a bridge circuit to translate a physical measurement into an electrical (voltage) signal. Thermistors (changing resistance with temperature) and photocells (changing resistance with light exposure) are just two alternatives to strain gauges.

It should be noted that the amount of voltage output by this bridge circuit depends both on the amount of resistance change of the sensor *and* the value of the excitation source. This dependency on source voltage value is a major difference between a sensing bridge circuit and a Wheatstone (balanced) bridge circuit. In a perfectly balanced bridge, the excitation voltage is irrelevant: the output voltage is zero no matter what source voltage value you use. In an unbalanced bridge circuit, however, source voltage value matters! For this reason, these bridge circuits are often rated in terms of how many millivolts of output they produce *per volt of excitation* per unit of physical measurement (microns of strain, newtons of stress, etc.).

An interesting feature of a sensing bridge circuit is its ability to cancel out unwanted variables. In the case of a strain gauge, for example, mechanical strain is not the only variable affecting gauge resistance. Temperature also affects gauge resistance. Since we do not wish our strain gauge to also act as a thermometer (which would make measurements very uncertain – how would we differentiate the effects of changing temperature from the effects of changing strain?), we must find some way to nullify resistance changes due solely to temperature, such that our bridge circuit will respond only to changes in strain. The solution is to creatively use a “dummy” strain gauge as another arm of the bridge:



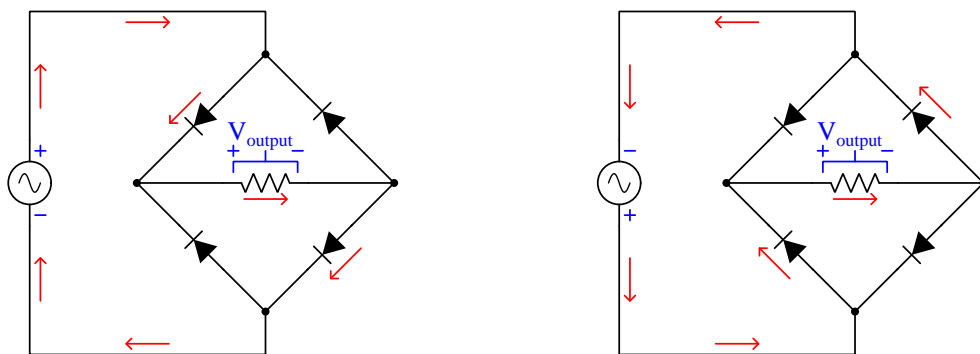
The “dummy” gauge is attached to the specimen in such a way that it maintains the same temperature as the active strain gauge, yet experiences no strain. Thus, any *difference* in gauge resistances must be due solely to specimen strain. The differential nature of the bridge circuit naturally translates the differential resistance of the two gauges into one voltage signal representing strain.

## 2.6 Power bridges

Bridge circuits are not just useful for measurement, but may be used for other purposes as well if different types of components are inserted into the “arms” of the bridge.

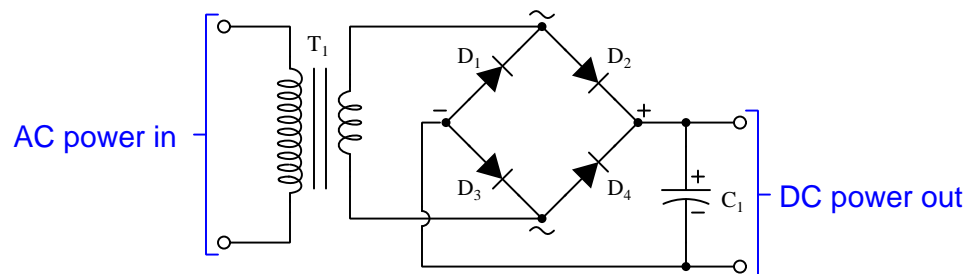
One such bridge circuit is the *bridge rectifier*, used to convert alternating current (AC) into direct current (DC) through the use of *diodes* which are solid-state electronic components acting as one-way valves for electric current:

**Bridge rectifier circuit**



Note how the four diodes in the bridge “steer” the AC source’s current through the load resistor from left to right regardless of source polarity. As the AC source alternates back and forth, current through the resistor always travels in the same direction.

A simple “brute-force” design of AC-to-DC power conversion circuit appears in the following schematic diagram:

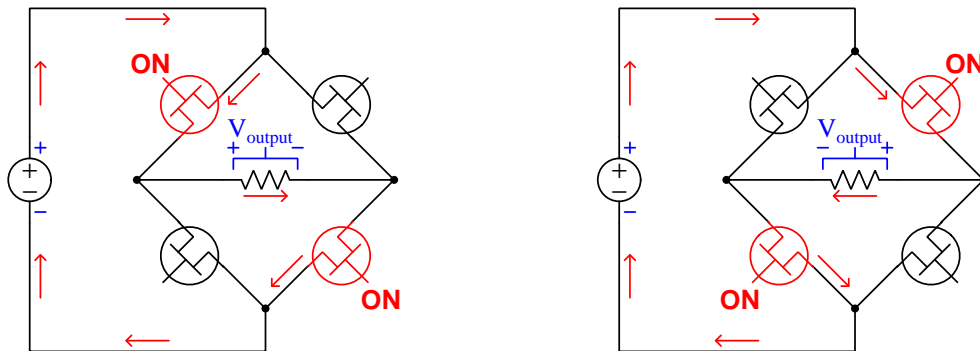


The transformer ( $T_1$ ) is an electromagnetic device converting higher-voltage AC (from a common wall receptacle) into lower-voltage more suitable for powering electronic circuits. The capacitor ( $C_1$ ) works to “filter” the rectified power so that it fluctuates less over time, resulting in DC power to the load more closely resembling power from a chemical battery or other natural DC source.



Another type of bridge circuit uses solid-state *transistor* switches to convert DC into AC by alternately switching on and off in opposite pairs. These transistors function as on/off switching elements, but unlike regular switches they have no moving parts and are able to turn on and off at extremely rapid rates if necessary. This is the opposite of rectification, called *inversion*:

### Bridge inverter circuit



The circuitry generating the controlling signals to trigger these four transistors to turn on and off is not shown in this simplified diagram, only the bridge network itself. Coupled to other components such as capacitors and transformers, such inverter bridge networks are useful for DC-to-AC power conversion, AC motor speed control, and other similar applications.

## Chapter 3

# Historical References

This chapter is where you will find references to historical texts and technologies related to the module's topic.

Readers may wonder why historical references might be included in any modern lesson on a subject. Why dwell on old ideas and obsolete technologies? One answer to this question is that the initial discoveries and early applications of scientific principles typically present those principles in forms that are unusually easy to grasp. Anyone who first discovers a new principle must necessarily do so from a perspective of ignorance (i.e. if you truly *discover* something yourself, it means you must have come to that discovery with no prior knowledge of it and no hints from others knowledgeable in it), and in so doing the discoverer lacks any hindsight or advantage that might have otherwise come from a more advanced perspective. Thus, discoverers are forced to think and express themselves in less-advanced terms, and this often makes their explanations more readily accessible to others who, like the discoverer, comes to this idea with no prior knowledge. Furthermore, early discoverers often faced the daunting challenge of explaining their new and complex ideas to a naturally skeptical scientific community, and this pressure incentivized clear and compelling communication. As James Clerk Maxwell eloquently stated in the Preface to his book *A Treatise on Electricity and Magnetism* written in 1873,

It is of great advantage to the student of any subject to read the original memoirs on that subject, for science is always most completely assimilated when it is in its nascent state . . . [page xi]

Furthermore, grasping the historical context of technological discoveries is important for understanding how science intersects with culture and civilization, which is ever important because new discoveries and new applications of existing discoveries will always continue to impact our lives. One will often find themselves impressed by the ingenuity of previous generations, and by the high degree of refinement to which now-obsolete technologies were once raised. There is much to learn and much inspiration to be drawn from the technological past, and to the inquisitive mind these historical references are treasures waiting to be (re)-discovered.

### 3.1 Early references to Wheatstone bridges

The Scottish physicist James Clerk Maxwell (1831-1879) wrote a book entitled *A Treatise on Electricity and Magnetism*, within which he describes two different methods of making comparative resistance measurements.

The first method used a special instrument called a *differential galvanometer*, consisting of two identical wire coils flanking a magnetized iron needle suspended on a thread. The needle will be deflected (i.e. turned to a different position) by the magnetic force generated by current passing through either wire coil. If equal currents are passed through the two coils, in different directions so as to produce opposing magnetic fields, the resultant force on the needle will be zero and no deflection will result. Thus, the differential galvanometer registers any *difference* in value between two electric currents: any inequality makes the needle move, while precisely equal currents makes no motion at all.

When the two coils of a differential galvanometer are connected in series with two resistances to be compared, and each of these series networks powered by a common voltage source (battery), the galvanometer needle will deflect if there is any difference between the two resistance values. If the two resistances are exactly equal and the two galvanometer coils are precisely identical to each other, then no deflection will result. The beauty of this technique is that it remains accurate even if the battery voltage is uncertain or even unstable over time. Maxwell describes the utility of measuring resistance in this manner:

The merit of the method consists in the fact that the thing observed is the absence of any [sic] deflexion, or in other words, the method is a Null method, one in which the non-existence of a force is asserted from an observation in which the force, it it had been different from zero by more than a certain small amount, would have produced an observable effect. [page 473]

Null methods are of great value where they can be employed, but they can only be employed where we can cause two equal and opposite quantities of the same kind to enter into the experiment together. [page 474]

By testing for the *absence* of galvanometer needle motion rather than some precise amount of needle motion, there is no need for absolute measurements of either voltage or current as there would be if we were inferring resistance from Ohm's Law ( $R = \frac{V}{I}$ ).

A weakness of this differential galvanometer method is the possibility that the two wire coils within the galvanometer might not be precisely identical to one another. If those two wire coils differed at all, either in the number of turns, the amount of wire resistance, their relative positions from the suspended needle, etc., the needle would in fact move slightly when exposed to two identical currents and therefore it would not be reliable as a "null" instrument.

After describing the use of a differential galvanometer to make comparative resistance measurements, Maxwell then proceeds to describe the Wheatstone bridge method which escapes this weakness of differential galvanometers:

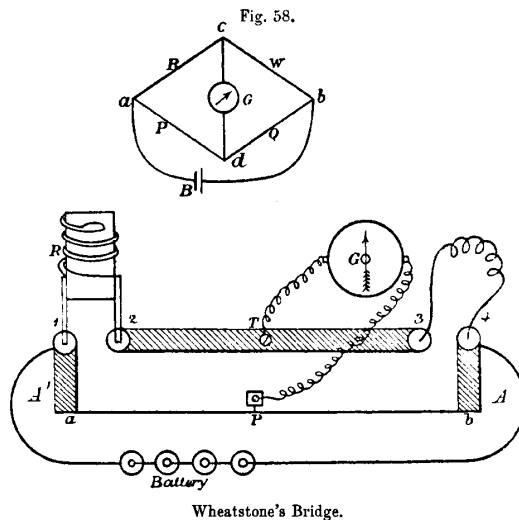
The other null method, in which Wheatstone's Bridge is used, requires only an ordinary galvanometer, and the observed zero deflexion of the needle is due, not to the opposing action of two currents, but to the non-existence of a current in the wire. Hence we have not merely a null deflexion, but a null current as the phenomena observed, and no errors can arise from want of regularity or change of any kind in the coils of the galvanometer. The galvanometer is only required to be sensitive enough to detect the existence and direction of a current, without in any way determining its value or comparing its value with that of another current. [page 475]

It may seem strange to us living in the twenty-first century that so much trouble would be taken to perform a task as simple as measuring resistance, but this is only because we take for granted the existence of precise, accurate, and traceable standards for such things as voltage, current, and resistance measurement. In Maxwell's time none of these were a given, and the laboratory experimenter needed to devise clever means of making precise measurements using what we would consider primitive equipment. The Wheatstone bridge was a clever solution to the problem of precise resistance measurement, necessitating only an arbitrarily sensitive meter (galvanometer) and some trusted resistance specimen for comparison.

Another early reference to the use of Wheatstone bridge circuits for resistance measurement comes from John Ambrose Fleming's book *Short Lectures to Electrical Artisans* written in 1886. This text gives a fairly detailed explanation of the bridge circuit's function and operation. Bear in mind that this was in an era before the advent of multimeters, when stable-voltage batteries were rare, when slide-wire potentiometers needed to be fabricated out of resistive wire, and when the most secure means of joining conductors together with a minimum of resistance and stray voltage was by dipping wires into cups of liquid mercury:

. . . The well-known Wheatstone's bridge is the most usual appliance for comparing resistances.

As is well known, the method was not invented by Wheatstone, but by Mr. Christie, in 1833<sup>1</sup>. It consists essentially of an arrangement of six conductors, joining four points. One of these conductors is a battery circuit, and the other a galvanometer. A Wheatstone bridge, suitable for workshop purposes, may be made as follows: – On a board about 4 feet long fasten down a paper scale of inches and tenths, and over the paper scale stretch a fine uniformly drawn German [page 142]



silver wire. The ends of the wire are soldered to thick copper strips A A' (see Fig. 58), which terminate in mercury cups 1, 4. Between these extreme cups there is a strip of copper B about 1 inch wide and one-sixteenth of an inch thick, having mercury cups 2, 3, at its ends. There is also a terminal T soldered in the middle.

Prepare five resistance coils, as described above, of approximately 1, 5, 10, 50, 100 ohms, and let them, if possible, be adjusted by some one who possesses known standards. These coils are made so that their copper legs will dip into the mercury cups 1, 2. A battery of

<sup>1</sup>Footnote from Fleming's text: See Wheatstone's Scientific Papers, p. 129, published by the Physical Society of London.

half-a-dozen Leclanché cells is also needed, and a delicate astatic galvanometer. [page 143]

Insert the standard coil in the cups 1, 2, the ends of the wire whose resistance is to be measured in the cups 3, 4. Connect the battery to the cups 1, 4, one terminal of the galvanometer to the terminal T, and take the other end of the galvanometer wire in the hand, and just touch it to some point on the German silver wire. The galvanometer will in general make a deflection, but by sliding the galvanometer wire along the German silver wire a point P can be found at which there is no deflection right or left. When this is the case, note the lengths of the German silver wire  $Pa$  and  $Pb$  on either side of the point of no current. Then, as length  $Pa$  is to length  $Pb$ , so is the value of the standard of resistance R to the resistance of the wire to be measured to. Hence a simple rule of four sum gives us the required resistance.

To understand the reason for this rule, we see, if we refer to the upper diagram in Fig. 58, that the battery current from B entering at  $a$  has two routes open to it to pass to  $b$ , one by the resistances R and W, and the other by the resistances P and Q. Down each of these paths there is a gradient of pressure or fall of potential, and when the “bridge is balanced,” that is when a point is found on each path, such that no current will flow between them when they are connected by a galvanometer, it follows that the pressure at  $c$  is equal to that at  $d$ . Now the fall in potential in passing from  $a$  to  $c$  along R must be equal to the fall in potential in going from  $a$  to  $d$  along P, and similarly the fall of pressure from  $c$  to  $b$  is equal to that from  $d$  to  $b$ . Now just as in the first method given of measuring resistance we see that the ratio of resistance R to resistance W is equal to that ratio of fall of potential between  $a c$  and that between  $c b$ , and this ratio is equal to that of fall of potential between  $a d$  to that between  $d b$ , which in its turn is equal to the ratio of the resistance P to Q. Accordingly when the bridge is balanced we have the proportion – [page 144]

As resistance R is to resistance W, so is resistance P to resistance Q, and any three of these being given we can find the fourth. [page 145]

Sliding the potentiometer’s lead along the resistive German silver wire (i.e. a home-made *potentiometer*) allowed the user to adjust the bridge to obtain a condition of balance indicated by a zero (“null”) reading on the galvanometer. Once balance was obtained, one could read the position of the sliding wire (at point “P”) along the graduated scale laid down beside the wire, and read its position as a fraction, or ratio, of the scale’s total length. This ratio would then indicate the ratio of the test-wire’s resistance to the “standard coil” resistance. Fleming mentions the preparation of five such standard-resistance coils which would be used as standards of comparison against the wire of unknown resistance, implying that one might need to try several of these coils before finding a reasonable balance point on the bridge, and it is here we see the wisdom of using mercury-filled cups as points of contact for the standard and for the test-wire: the liquid mercury would make a very repeatable low-resistance connection with any wire dipped into it, even after repeated trials. Any attempt to use a spring clip, screw, or any other “modern” connection method to attach the standard coils to the bridge would have resulted in slight variations in connection resistance with each trial, whereas a mercury cup would be very consistent because liquid mercury is an excellent conductor of electricity and its ability to flow would guarantee optimum contact with the metal wire every time.



## Chapter 4

# Questions

This learning module, along with all others in the ModEL collection, is designed to be used in an inverted instructional environment where students independently read<sup>1</sup> the tutorials and attempt to answer questions on their own *prior* to the instructor's interaction with them. In place of lecture<sup>2</sup>, the instructor engages with students in Socratic-style dialogue, probing and challenging their understanding of the subject matter through inquiry.

Answers are not provided for questions within this chapter, and this is by design. Solved problems may be found in the Tutorial and Derivation chapters, instead. The goal here is *independence*, and this requires students to be challenged in ways where others cannot think for them. Remember that you always have the tools of *experimentation* and *computer simulation* (e.g. SPICE) to explore concepts!

The following lists contain ideas for Socratic-style questions and challenges. Upon inspection, one will notice a strong theme of *metacognition* within these statements: they are designed to foster a regular habit of examining one's own thoughts as a means toward clearer thinking. As such these sample questions are useful both for instructor-led discussions as well as for self-study.

---

<sup>1</sup>Technical reading is an essential academic skill for any technical practitioner to possess for the simple reason that the most comprehensive, accurate, and useful information to be found for developing technical competence is in textual form. Technical careers in general are characterized by the need for continuous learning to remain current with standards and technology, and therefore any technical practitioner who cannot read well is handicapped in their professional development. An excellent resource for educators on improving students' reading prowess through intentional effort and strategy is the book *Reading For Understanding – How Reading Apprenticeship Improves Disciplinary Learning in Secondary and College Classrooms* by Ruth Schoenbach, Cynthia Greenleaf, and Lynn Murphy.

<sup>2</sup>Lecture is popular as a teaching method because it is easy to implement: any reasonably articulate subject matter expert can talk to students, even with little preparation. However, it is also quite problematic. A good lecture always makes complicated concepts seem easier than they are, which is bad for students because it instills a false sense of confidence in their own understanding; reading and re-articulation requires more cognitive effort and serves to verify comprehension. A culture of teaching-by-lecture fosters a debilitating dependence upon direct personal instruction, whereas the challenges of modern life demand independent and critical thought made possible only by gathering information and perspectives from afar. Information presented in a lecture is ephemeral, easily lost to failures of memory and dictation; text is forever, and may be referenced at any time.



## GENERAL CHALLENGES FOLLOWING TUTORIAL READING

- Summarize as much of the text as you can in one paragraph of your own words. A helpful strategy is to explain ideas as you would for an intelligent child: as simple as you can without compromising too much accuracy.
- Simplify a particular section of the text, for example a paragraph or even a single sentence, so as to capture the same fundamental idea in fewer words.
- Where did the text make the most sense to you? What was it about the text's presentation that made it clear?
- Identify where it might be easy for someone to misunderstand the text, and explain why you think it could be confusing.
- Identify any new concept(s) presented in the text, and explain in your own words.
- Identify any familiar concept(s) such as physical laws or principles applied or referenced in the text.
- Devise a proof of concept experiment demonstrating an important principle, physical law, or technical innovation represented in the text.
- Devise an experiment to disprove a plausible misconception.
- Did the text reveal any misconceptions you might have harbored? If so, describe the misconception(s) and the reason(s) why you now know them to be incorrect.
- Describe any useful problem-solving strategies applied in the text.
- Devise a question of your own to challenge a reader's comprehension of the text.

## GENERAL FOLLOW-UP CHALLENGES FOR ASSIGNED PROBLEMS

- Identify where any fundamental laws or principles apply to the solution of this problem, especially before applying any mathematical techniques.
- Devise a thought experiment to explore the characteristics of the problem scenario, applying known laws and principles to mentally model its behavior.
- Describe in detail your own strategy for solving this problem. How did you identify and organized the given information? Did you sketch any diagrams to help frame the problem?
- Is there more than one way to solve this problem? Which method seems best to you?
- Show the work you did in solving this problem, even if the solution is incomplete or incorrect.
- What would you say was the most challenging part of this problem, and why was it so?
- Was any important information missing from the problem which you had to research or recall?
- Was there any extraneous information presented within this problem? If so, what was it and why did it not matter?
- Examine someone else's solution to identify where they applied fundamental laws or principles.
- Simplify the problem from its given form and show how to solve this simpler version of it. Examples include eliminating certain variables or conditions, altering values to simpler (usually whole) numbers, applying a limiting case (i.e. altering a variable to some extreme or ultimate value).
- For quantitative problems, identify the real-world meaning of all intermediate calculations: their units of measurement, where they fit into the scenario at hand. Annotate any diagrams or illustrations with these calculated values.
- For quantitative problems, try approaching it qualitatively instead, thinking in terms of “increase” and “decrease” rather than definite values.
- For qualitative problems, try approaching it quantitatively instead, proposing simple numerical values for the variables.
- Were there any assumptions you made while solving this problem? Would your solution change if one of those assumptions were altered?
- Identify where it would be easy for someone to go astray in attempting to solve this problem.
- Formulate your own problem based on what you learned solving this one.

## GENERAL FOLLOW-UP CHALLENGES FOR EXPERIMENTS OR PROJECTS

- In what way(s) was this experiment or project easy to complete?
- Identify some of the challenges you faced in completing this experiment or project.

- Show how thorough documentation assisted in the completion of this experiment or project.
- Which fundamental laws or principles are key to this system's function?
- Identify any way(s) in which one might obtain false or otherwise misleading measurements from test equipment in this system.
- What will happen if (component  $X$ ) fails (open/shorted/etc.)?
- What would have to occur to make this system unsafe?

## 4.1 Conceptual reasoning

These questions are designed to stimulate your analytic and synthetic thinking<sup>3</sup>. In a Socratic discussion with your instructor, the goal is for these questions to prompt an extended dialogue where assumptions are revealed, conclusions are tested, and understanding is sharpened. Your instructor may also pose additional questions based on those assigned, in order to further probe and refine your conceptual understanding.

Questions that follow are presented to challenge and probe your understanding of various concepts presented in the tutorial. These questions are intended to serve as a guide for the Socratic dialogue between yourself and the instructor. Your instructor’s task is to ensure you have a sound grasp of these concepts, and the questions contained in this document are merely a means to this end. Your instructor may, at his or her discretion, alter or substitute questions for the benefit of tailoring the discussion to each student’s needs. The only absolute requirement is that each student is challenged and assessed at a level equal to or greater than that represented by the documented questions.

It is far more important that you convey your *reasoning* than it is to simply convey a correct answer. For this reason, you should refrain from researching other information sources to answer questions. What matters here is that *you* are doing the thinking. If the answer is incorrect, your instructor will work with you to correct it through proper reasoning. A correct answer without an adequate explanation of how you derived that answer is unacceptable, as it does not aid the learning or assessment process.

You will note a conspicuous lack of answers given for these conceptual questions. Unlike standard textbooks where answers to every other question are given somewhere toward the back of the book, here in these learning modules students must rely on other means to check their work. The best way by far is to debate the answers with fellow students and also with the instructor during the Socratic dialogue sessions intended to be used with these learning modules. Reasoning through challenging questions with other people is an excellent tool for developing strong reasoning skills.

Another means of checking your conceptual answers, where applicable, is to use circuit simulation software to explore the effects of changes made to circuits. For example, if one of these conceptual questions challenges you to predict the effects of altering some component parameter in a circuit, you may check the validity of your work by simulating that same parameter change within software and seeing if the results agree.

### 4.1.1 Reading outline and reflections

*“Reading maketh a full man; conference a ready man; and writing an exact man”* – Francis Bacon

Francis Bacon’s advice is a blueprint for effective education: reading provides the learner with knowledge, writing focuses the learner’s thoughts, and critical dialogue equips the learner to confidently communicate and apply their learning. Independent acquisition and application of knowledge is a powerful skill, well worth the effort to cultivate. To this end, students should read

---

<sup>3</sup> *Analytical* thinking involves the “disassembly” of an idea into its constituent parts, analogous to dissection. *Synthetic* thinking involves the “assembly” of a new idea comprised of multiple concepts, analogous to construction. Both activities are high-level cognitive skills, extremely important for effective problem-solving, necessitating frequent challenge and regular practice to fully develop.

these educational resources closely, journal their own reflections on the reading, and discuss in detail their findings with classmates and instructor(s). You should be able to do all of the following after reading any instructional text:

Briefly SUMMARIZE THE TEXT in the form of a journal entry documenting your learning as you progress through the course of study. Share this summary in dialogue with your classmates and instructor. Journaling is an excellent self-test of thorough reading because you cannot clearly express what you have not read or did not comprehend.

Demonstrate ACTIVE READING STRATEGIES, including verbalizing your impressions as you read, simplifying long passages to convey the same ideas using fewer words, annotating text and illustrations with your own interpretations, working through mathematical examples shown in the text, cross-referencing passages with relevant illustrations and/or other passages, identifying problem-solving strategies applied by the author, etc. Technical reading is a special case of problem-solving, and so these strategies work precisely because they help solve any problem: paying attention to your own thoughts (metacognition), eliminating unnecessary complexities, identifying what makes sense, paying close attention to details, drawing connections between separated facts, and noting the successful strategies of others.

Identify IMPORTANT THEMES, especially GENERAL LAWS and PRINCIPLES, expounded in the text and express them in the simplest of terms as though you were teaching an intelligent child. This emphasizes connections between related topics and develops your ability to communicate complex ideas to anyone.

Form YOUR OWN QUESTIONS based on the reading, and then pose them to your instructor and classmates for their consideration. Anticipate both correct and incorrect answers, the incorrect answer(s) assuming one or more plausible misconceptions. This helps you view the subject from different perspectives to grasp it more fully.

Devise EXPERIMENTS to test claims presented in the reading, or to disprove misconceptions. Predict possible outcomes of these experiments, and evaluate their meanings: what result(s) would confirm, and what would constitute disproof? Running mental simulations and evaluating results is essential to scientific and diagnostic reasoning.

Specifically identify any points you found CONFUSING. The reason for doing this is to help diagnose misconceptions and overcome barriers to learning.

### 4.1.2 Foundational concepts

Correct analysis and diagnosis of electric circuits begins with a proper understanding of some basic concepts. The following is a list of some important concepts referenced in this module's full tutorial. Define each of them in your own words, and be prepared to illustrate each of these concepts with a description of a practical example and/or a live demonstration.

Energy

Conservation of Energy

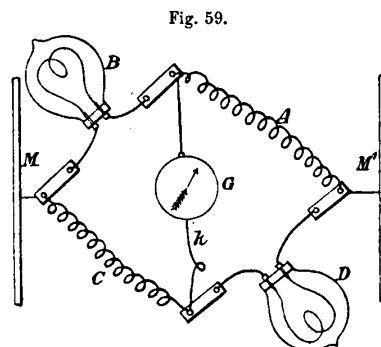
Limiting cases as a problem-solving strategy

OTHER CONCEPT

### 4.1.3 Edison's bridge

Operators of electric generating stations must ensure that the voltage output by their generators is relatively constant, in order to ensure proper operation of all customer loads. This was especially important in the early days of electrical power systems when electric lamps were somewhat experimental and prone to poor performance, as unsteady source voltage would cause electric lamps to either burn too dimly (causing customer dissatisfaction) or fail prematurely (causing a different form of customer dissatisfaction). Therefore, operators of generating stations needed to monitor the output voltage of their generators carefully and make adjustments to maintain that voltage at some specified value.

John Ambrose Fleming, on page 145 of his book *Short Lectures to Electrical Artisans*, describes a special bridge circuit invented by Thomas Edison for determining when the voltage output by a DC generator was at a particular value. Edison's bridge consisted of two carbon-filament lamps and two coils of German silver wire. Copper bus-bars M and M' are connected to the generator's terminals to power this bridge, while G is a sensitive *galvanometer* indicating whether or not the bridge circuit is in a condition of balance, a balanced condition proving that the generator output voltage was proper. A normally open telegraph-style "key" switch ( $k$ ) could be pressed at any time by the power station operator to complete the galvanometer circuit and perform a voltage check:



Edison's Bridge for preserving Constant Electromotive Force on Electric Light Circuits.

Explain why Edison's bridge circuit could only be balanced at one particular source voltage value. An important fact to know is that the carbon filaments in the lamps decreased in resistance as they warmed, while German silver increased in resistance with rising temperature.

Explain why this particular bridge circuit is sensitive to changes in supply voltage, while most Wheatstone bridges are not.

Assuming M is the positive bus and M' is the negative bus, identify the direction of current through the galvanometer when the key was pressed and the generator voltage was excessive.

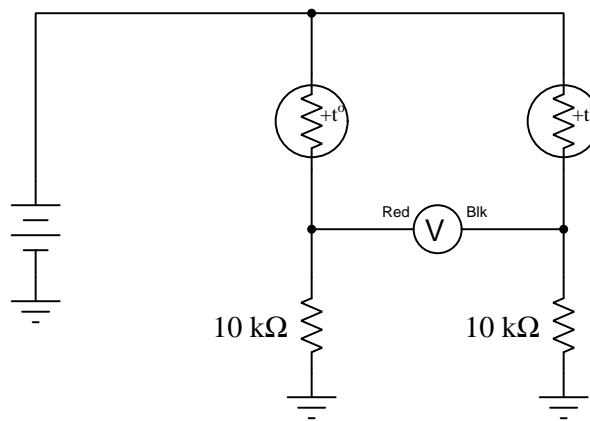
#### Challenges

- Would a modern version of Edison's bridge function as a voltage indicator, using tungsten-metal lamp filaments instead of carbon lamp filaments? Explain why or why not.

- Why install a momentary-contact key switch to connect the galvanometer to this bridge circuit, instead of having the galvanometer connected all the time?

#### 4.1.4 Thermistor bridge circuit

A *thermistor* is a special resistor that dramatically changes resistance with changes in temperature. Consider the circuit shown below, with two identical thermistors:



The “+t°” label in each one shows that they both have positive  $\alpha$  coefficients<sup>4</sup>.

How much voltage would you expect the voltmeter to register when the two thermistors are at the exact same temperature? Which thermistor would have to become hotter in order to cause the voltmeter to read a significant *negative* voltage?

#### Challenges

- Can this circuit be used as a thermometer to measure room temperature? Why or why not?

<sup>4</sup>The “alpha” coefficient for any conductive substance is the degree to which its electrical resistance varies with changes in temperature. A positive  $\alpha$  value means resistance increases with temperature; a negative value means resistance decreases with temperature.



## 4.2 Quantitative reasoning

These questions are designed to stimulate your computational thinking. In a Socratic discussion with your instructor, the goal is for these questions to reveal your mathematical approach(es) to problem-solving so that good technique and sound reasoning may be reinforced. Your instructor may also pose additional questions based on those assigned, in order to observe your problem-solving firsthand.

Mental arithmetic and estimations are strongly encouraged for all calculations, because without these abilities you will be unable to readily detect errors caused by calculator misuse (e.g. keystroke errors).

You will note a conspicuous lack of answers given for these quantitative questions. Unlike standard textbooks where answers to every other question are given somewhere toward the back of the book, here in these learning modules students must rely on other means to check their work. My advice is to use circuit simulation software such as SPICE to check the correctness of quantitative answers. Refer to those learning modules within this collection focusing on SPICE to see worked examples which you may use directly as practice problems for your own study, and/or as templates you may modify to run your own analyses and generate your own practice problems.

Completely worked example problems found in the Tutorial may also serve as “test cases<sup>5</sup>” for gaining proficiency in the use of circuit simulation software, and then once that proficiency is gained you will never need to rely<sup>6</sup> on an answer key!

---

<sup>5</sup>In other words, set up the circuit simulation software to analyze the same circuit examples found in the Tutorial. If the simulated results match the answers shown in the Tutorial, it confirms the simulation has properly run. If the simulated results disagree with the Tutorial’s answers, something has been set up incorrectly in the simulation software. Using every Tutorial as practice in this way will quickly develop proficiency in the use of circuit simulation software.

<sup>6</sup>This approach is perfectly in keeping with the instructional philosophy of these learning modules: *teaching students to be self-sufficient thinkers*. Answer keys can be useful, but it is even more useful to your long-term success to have a set of tools on hand for checking your own work, because once you have left school and are on your own, there will no longer be “answer keys” available for the problems you will have to solve.

### 4.2.1 Miscellaneous physical constants

Note: constants shown in **bold** type are *exact*, not approximations. Values inside of parentheses show one standard deviation ( $\sigma$ ) of uncertainty in the final digits: for example, the magnetic permeability of free space value given as  $1.25663706212(19) \times 10^{-6}$  H/m represents a center value (i.e. the location parameter) of  $1.25663706212 \times 10^{-6}$  Henrys per meter with one standard deviation of uncertainty equal to  $0.0000000000019 \times 10^{-6}$  Henrys per meter.

Avogadro's number ( $N_A$ ) = **6.02214076**  $\times 10^{23}$  **per mole** (mol<sup>-1</sup>)

Boltzmann's constant ( $k$ ) = **1.380649**  $\times 10^{-23}$  **Joules per Kelvin** (J/K)

Electronic charge ( $e$ ) = **1.602176634**  $\times 10^{-19}$  **Coulomb** (C)

Faraday constant ( $F$ ) = **96,485.33212...**  $\times 10^4$  **Coulombs per mole** (C/mol)

Magnetic permeability of free space ( $\mu_0$ ) =  $1.25663706212(19) \times 10^{-6}$  Henrys per meter (H/m)

Electric permittivity of free space ( $\epsilon_0$ ) =  $8.8541878128(13) \times 10^{-12}$  Farads per meter (F/m)

Characteristic impedance of free space ( $Z_0$ ) =  $376.730313668(57)$  Ohms ( $\Omega$ )

Gravitational constant ( $G$ ) =  $6.67430(15) \times 10^{-11}$  cubic meters per kilogram-seconds squared (m<sup>3</sup>/kg-s<sup>2</sup>)

Molar gas constant ( $R$ ) = **8.314462618...** **Joules per mole-Kelvin** (J/mol-K) = 0.08205746(14) liters-atmospheres per mole-Kelvin

Planck constant ( $h$ ) = **6.62607015**  $\times 10^{-34}$  **joule-seconds** (J-s)

Stefan-Boltzmann constant ( $\sigma$ ) = **5.670374419...**  $\times 10^{-8}$  **Watts per square meter-Kelvin<sup>4</sup>** (W/m<sup>2</sup>·K<sup>4</sup>)

Speed of light in a vacuum ( $c$ ) = **299,792,458 meters per second** (m/s) = 186282.4 miles per second (mi/s)

Note: All constants taken from NIST data "Fundamental Physical Constants – Complete Listing", from <http://physics.nist.gov/constants>, National Institute of Standards and Technology (NIST), 2018 CODATA Adjustment.

### 4.2.2 Introduction to spreadsheets

A powerful computational tool you are encouraged to use in your work is a *spreadsheet*. Available on most personal computers (e.g. Microsoft Excel), *spreadsheet* software performs numerical calculations based on number values and formulae entered into cells of a grid. This grid is typically arranged as lettered columns and numbered rows, with each cell of the grid identified by its column/row coordinates (e.g. cell B3, cell A8). Each cell may contain a string of text, a number value, or a mathematical formula. The spreadsheet automatically updates the results of all mathematical formulae whenever the entered number values are changed. This means it is possible to set up a spreadsheet to perform a series of calculations on entered data, and those calculations will be re-done by the computer any time the data points are edited in any way.

For example, the following spreadsheet calculates average speed based on entered values of distance traveled and time elapsed:

	A	B	C	D
1	Distance traveled	46.9	Kilometers	
2	Time elapsed	1.18	Hours	
3	Average speed	= B1 / B2	km/h	
4				
5				

Text labels contained in cells A1 through A3 and cells C1 through C3 exist solely for readability and are not involved in any calculations. Cell B1 contains a sample distance value while cell B2 contains a sample time value. The formula for computing speed is contained in cell B3. Note how this formula begins with an “equals” symbol (=), references the values for distance and speed by lettered column and numbered row coordinates (B1 and B2), and uses a forward slash symbol for division (/). The coordinates B1 and B2 function as *variables*<sup>7</sup> would in an algebraic formula.

When this spreadsheet is executed, the numerical value 39.74576 will appear in cell B3 rather than the formula = B1 / B2, because 39.74576 is the computed speed value given 46.9 kilometers traveled over a period of 1.18 hours. If a different numerical value for distance is entered into cell B1 or a different value for time is entered into cell B2, cell B3’s value will automatically update. All you need to do is set up the given values and any formulae into the spreadsheet, and the computer will do all the calculations for you.

Cell B3 may be referenced by other formulae in the spreadsheet if desired, since it is a variable just like the given values contained in B1 and B2. This means it is possible to set up an entire chain of calculations, one dependent on the result of another, in order to arrive at a final value. The arrangement of the given data and formulae need not follow any pattern on the grid, which means you may place them anywhere.

---

<sup>7</sup>Spreadsheets may also provide means to attach text labels to cells for use as variable names (Microsoft Excel simply calls these labels “names”), but for simple spreadsheets such as those shown here it’s usually easier just to use the standard coordinate naming for each cell.

Common<sup>8</sup> arithmetic operations available for your use in a spreadsheet include the following:

- Addition (+)
- Subtraction (-)
- Multiplication (\*)
- Division (/)
- Powers (^)
- Square roots (sqrt())
- Logarithms (ln() , log10())

Parentheses may be used to ensure<sup>9</sup> proper order of operations within a complex formula. Consider this example of a spreadsheet implementing the *quadratic formula*, used to solve for roots of a polynomial expression in the form of  $ax^2 + bx + c$ :

$$x = \frac{-b \pm \sqrt{b^2 - 4ac}}{2a}$$

	A	B
1	x_1	= (-B4 + sqrt((B4^2) - (4*B3*B5))) / (2*B3)
2	x_2	= (-B4 - sqrt((B4^2) - (4*B3*B5))) / (2*B3)
3	a =	9
4	b =	5
5	c =	-2

This example is configured to compute roots<sup>10</sup> of the polynomial  $9x^2 + 5x - 2$  because the values of 9, 5, and  $-2$  have been inserted into cells B3, B4, and B5, respectively. Once this spreadsheet has been built, though, it may be used to calculate the roots of *any* second-degree polynomial expression simply by entering the new  $a$ ,  $b$ , and  $c$  coefficients into cells B3 through B5. The numerical values appearing in cells B1 and B2 will be automatically updated by the computer immediately following any changes made to the coefficients.

<sup>8</sup>Modern spreadsheet software offers a bewildering array of mathematical functions you may use in your computations. I recommend you consult the documentation for your particular spreadsheet for information on operations other than those listed here.

<sup>9</sup>Spreadsheet programs, like text-based programming languages, are designed to follow standard order of operations by default. However, my personal preference is to use parentheses even where strictly unnecessary just to make it clear to any other person viewing the formula what the intended order of operations is.

<sup>10</sup>Reviewing some algebra here, a *root* is a value for  $x$  that yields an overall value of zero for the polynomial. For this polynomial ( $9x^2 + 5x - 2$ ) the two roots happen to be  $x = 0.269381$  and  $x = -0.82494$ , with these values displayed in cells B1 and B2, respectively upon execution of the spreadsheet.

Alternatively, one could break up the long quadratic formula into smaller pieces like this:

$$y = \sqrt{b^2 - 4ac} \quad z = 2a$$

$$x = \frac{-b \pm y}{z}$$

	<b>A</b>	<b>B</b>	<b>C</b>
<b>1</b>	x_1	= (-B4 + C1) / C2	= sqrt( (B4^2) - (4*B3*B5) )
<b>2</b>	x_2	= (-B4 - C1) / C2	= 2*B3
<b>3</b>	a =	9	
<b>4</b>	b =	5	
<b>5</b>	c =	-2	

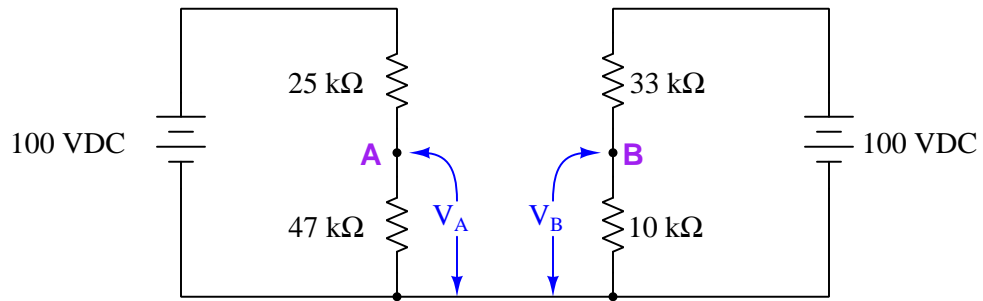
Note how the square-root term ( $y$ ) is calculated in cell C1, and the denominator term ( $z$ ) in cell C2. This makes the two final formulae (in cells B1 and B2) simpler to interpret. The positioning of all these cells on the grid is completely arbitrary<sup>11</sup> – all that matters is that they properly reference each other in the formulae.

Spreadsheets are particularly useful for situations where the same set of calculations representing a circuit or other system must be repeated for different initial conditions. The power of a spreadsheet is that it automates what would otherwise be a tedious set of calculations. One specific application of this is to simulate the effects of various components within a circuit failing with abnormal values (e.g. a shorted resistor simulated by making its value nearly zero; an open resistor simulated by making its value extremely large). Another application is analyzing the behavior of a circuit design given new components that are out of specification, and/or aging components experiencing drift over time.

<sup>11</sup>My personal preference is to locate all the “given” data in the upper-left cells of the spreadsheet grid (each data point flanked by a sensible name in the cell to the left and units of measurement in the cell to the right as illustrated in the first distance/time spreadsheet example), sometimes coloring them in order to clearly distinguish which cells contain entered data versus which cells contain computed results from formulae. I like to place all formulae in cells below the given data, and try to arrange them in logical order so that anyone examining my spreadsheet will be able to figure out *how* I constructed a solution. This is a general principle I believe all computer programmers should follow: *document and arrange your code to make it easy for other people to learn from it.*

### 4.2.3 Two voltage divider networks

Calculate the output voltages of these two voltage divider circuits ( $V_A$  and  $V_B$ ), and then calculate the voltage between points **A** and **B** ( $V_{AB}$ ):



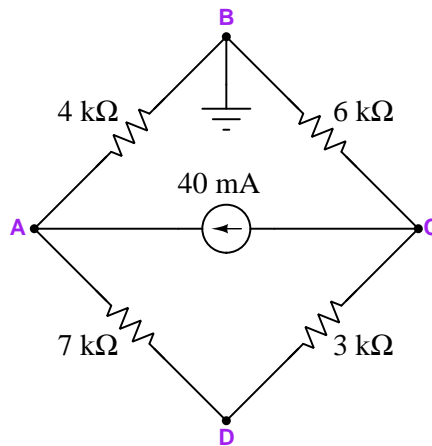
#### Challenges

- What would change if the wire connecting the two voltage divider circuits together were removed?

#### 4.2.4 Ground-referenced and differential voltage measurements

In electrical and electronic systems, we often refer to voltage measurements as being either *ground-referenced* or *differential*. A ground-referenced voltage measurement is one taken between a specified test point in the circuit and a point in the circuit labeled “ground”. A differential voltage measurement is one taken between two non-grounded test points. Ground-referenced voltages are often symbolized by  $V$  with a single subscript (e.g.  $V_C$ , voltage between C and ground), where the subscripted test point connects to the voltmeter’s red lead and ground connects to the meter’s black lead. Differential voltages are symbolized by dual subscripts, with the first representing the red lead and the second the black lead (e.g.  $V_{BC}$ , red on B and black on C).

Examine the following bridge circuit with test point B grounded, and then calculate the specified voltages:



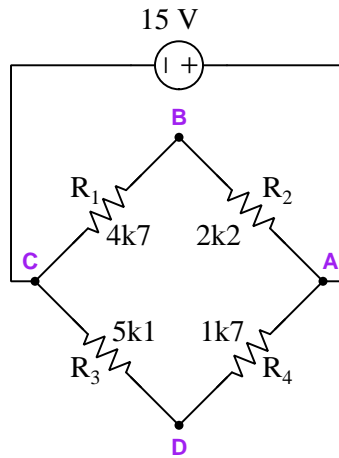
- $V_{BA} =$
- $V_{BD} =$
- $V_{AC} =$
- $V_A =$
- $V_B =$
- $V_C =$
- $V_D =$

#### Challenges

- What would happen to all the voltages if test point D were *also* grounded?
- Demonstrate Kirchhoff’s Voltage Law in the loop DABCD, after having calculated all voltages.

### 4.2.5 Balancing a resistive bridge

Explain what the term *unbalanced* means as it applies to the following bridge circuit:



Calculate the following quantities in the circuit, with source and resistor values as shown. Interpret the subscript test-point letters by the convention that the first letter represents the *red* voltmeter test lead and the second letter the *black* test lead:

- $V_{AB} =$
- $V_{BC} =$
- $V_{DC} =$
- $V_{DA} =$
- $V_{BD} =$
- $I_{source} =$

Next, calculate the necessary resistor value for each of the four resistors to balance this bridge circuit, assuming in each case that you only change *that* resistor's value and leave the other three as shown in the schematic diagram:

- $R_1 =$
- $R_2 =$
- $R_3 =$
- $R_4 =$



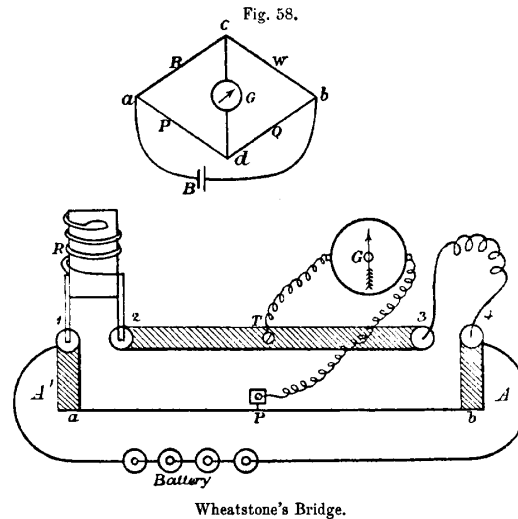
Finally, identify how some of the foundational concepts you've studied apply to this circuit: **Ohm's Law**, **Kirchhoff's Voltage Law**, properties of **series** and **parallel** networks, **ratios**, **voltage dividers**. Feel free to include any other foundational concepts not listed here.

Challenges
------------

- Identify ways to estimate balancing resistor values without using a calculator.
- Demonstrate how Kirchhoff's Voltage Law is true for any "loop" chosen in this bridge circuit (e.g. loop CADC).
- Does a bridge circuit's state of balance depend on the source voltage? Why or why not?
- Suppose we were to connect test point B to ground. Given this condition, calculate  $V_D$ .

### 4.2.6 Using a primitive bridge to measure resistance

The following schematic shows a primitive Wheatstone bridge circuit used to measure an unknown resistance connected between terminals **3** and **4**, using a standard resistor connected between terminals **1** and **2** and a resistive wire stretched between terminals **a** and **b** with a sliding contact **P** acting as the wiper on a potentiometer. A very sensitive meter called a galvanometer (**G**) served as a balance detector to indicate when the bridge was adjusted for a balanced condition:



Calculate the resistance of the unknown resistor in each of the following test cases where the standard resistor values and potentiometer/slide dimensions are given to make the galvanometer register zero:

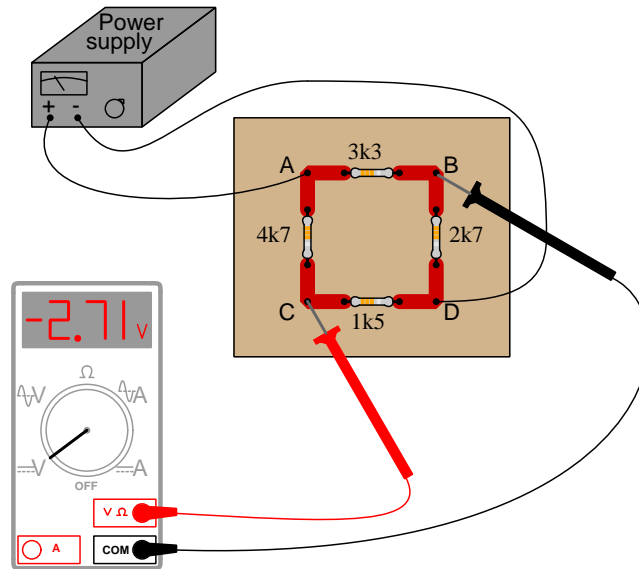
- $R_{standard} = 550 \Omega$  ; Distance **a-b** = 38 cm ; Distance **P-a** = 12 cm
- $R_{standard} = 2.6 \text{ k}\Omega$  ; Distance **a-b** = 38 cm ; Distance **P-a** = 20 cm
- $R_{standard} = 1.1 \text{ k}\Omega$  ; Distance **a-b** = 38 cm ; Distance **P-b** = 11 cm
- $R_{standard} = 300 \Omega$  ; Distance **a-b** = 38 cm ; Distance **P-b** = 25 cm
- $R_{standard} = 725 \Omega$  ; Distance **P-b** = 24 cm ; Distance **P-a** = 14 cm
- $R_{standard} = 5.2 \text{ k}\Omega$  ; Distance **P-a** = 10 cm ; Distance **P-b** = 28 cm

#### Challenges

- Is the battery voltage relevant at all? Why or why not?

### 4.2.7 Unknown excitation voltage

Calculate the amount of “excitation” voltage applied to this unbalanced bridge circuit by the DC power supply:



#### Challenges

- Is this bridge circuit balanced or not? How can we tell?
- Explain the relationship between  $V_{meter}$  and  $V_{supply}$  for an unbalanced bridge circuit.
- Explain the relationship between  $V_{meter}$  and  $V_{supply}$  for a balanced bridge circuit.

### 4.3 Diagnostic reasoning

These questions are designed to stimulate your deductive and inductive thinking, where you must apply general principles to specific scenarios (deductive) and also derive conclusions about the failed circuit from specific details (inductive). In a Socratic discussion with your instructor, the goal is for these questions to reinforce your recall and use of general circuit principles and also challenge your ability to integrate multiple symptoms into a sensible explanation of what's wrong in a circuit. Your instructor may also pose additional questions based on those assigned, in order to further challenge and sharpen your diagnostic abilities.

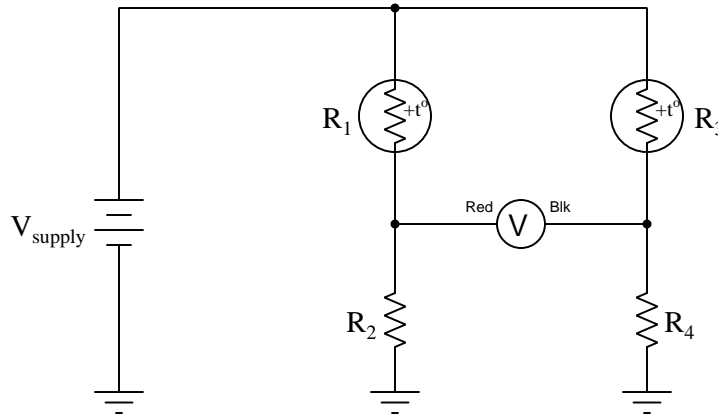
As always, your goal is to fully *explain* your analysis of each problem. Simply obtaining a correct answer is not good enough – you must also demonstrate sound reasoning in order to successfully complete the assignment. Your instructor's responsibility is to probe and challenge your understanding of the relevant principles and analytical processes in order to ensure you have a strong foundation upon which to build further understanding.

You will note a conspicuous lack of answers given for these diagnostic questions. Unlike standard textbooks where answers to every other question are given somewhere toward the back of the book, here in these learning modules students must rely on other means to check their work. The best way by far is to debate the answers with fellow students and also with the instructor during the Socratic dialogue sessions intended to be used with these learning modules. Reasoning through challenging questions with other people is an excellent tool for developing strong reasoning skills.

Another means of checking your diagnostic answers, where applicable, is to use circuit simulation software to explore the effects of faults placed in circuits. For example, if one of these diagnostic questions requires that you predict the effect of an open or a short in a circuit, you may check the validity of your work by simulating that same fault (substituting a very high resistance in place of that component for an open, and substituting a very low resistance for a short) within software and seeing if the results agree.

### 4.3.1 Thermistor bridge faults

Predict how the operation of this thermistor bridge circuit will be affected as a result of the following faults. Consider each fault independently (i.e. one at a time, no coincidental faults):



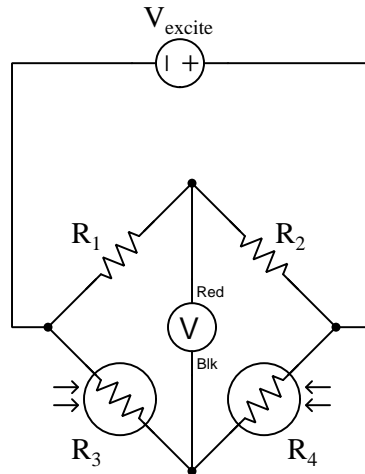
- Thermistor  $R_1$  fails open:
- Thermistor  $R_3$  fails open:
- Solder bridge (short) across thermistor  $R_3$ :
- Resistor  $R_2$  fails open:
- Resistor  $R_4$  fails open:

#### Challenges

- Identify how you could use a multimeter to diagnose any of these faults.

### 4.3.2 Failed photocell bridge

This bridge circuit is suppose to generate an output voltage proportional to the *difference* between light exposure on the two photocells:



However something has failed in this circuit, because the voltmeter is “pegged” fully negative and will not change with varying light exposures on the two cells. Identify at least two possible failures that could cause the voltmeter to over-range in the negative direction.

#### Challenges

- Which polarity should the voltmeter register (i.e. a positive value or a negative value) if photocell  $R_4$  receives more light than photocell  $R_3$ , assuming photocell resistance *decreases* with light exposure?
- Identify how you could use a multimeter to diagnose any of these faults.



## Chapter 5

# Projects and Experiments

The following project and experiment descriptions outline things you can build to help you understand circuits. With any real-world project or experiment there exists the potential for physical harm. *Electricity can be very dangerous in certain circumstances, and you should follow proper safety precautions at all times!*

### 5.1 Recommended practices

This section outlines some recommended practices for all circuits you design and construct.



### 5.1.1 Safety first!

Electricity, when passed through the human body, causes uncomfortable sensations and in large enough measures<sup>1</sup> will cause muscles to involuntarily contract. The overriding of your nervous system by the passage of electrical current through your body is particularly dangerous in regard to your heart, which is a vital muscle. Very large amounts of current can produce serious internal burns in addition to all the other effects.

Cardio-pulmonary resuscitation (CPR) is the standard first-aid for any victim of electrical shock. This is a very good skill to acquire if you intend to work with others on dangerous electrical circuits. You should never perform tests or work on such circuits unless someone else is present who is proficient in CPR.

As a general rule, any voltage in excess of 30 Volts poses a definitive electric shock hazard, because beyond this level human skin does not have enough resistance to safely limit current through the body. “Live” work of any kind with circuits over 30 volts should be avoided, and if unavoidable should only be done using electrically insulated tools and other protective equipment (e.g. insulating shoes and gloves). If you are unsure of the hazards, or feel unsafe at any time, stop all work and distance yourself from the circuit!

A policy I strongly recommend for students learning about electricity is to *never come into electrical contact<sup>2</sup> with an energized conductor, no matter what the circuit’s voltage<sup>3</sup> level!* Enforcing this policy may seem ridiculous when the circuit in question is powered by a single battery smaller than the palm of your hand, but it is precisely this instilled habit which will save a person from bodily harm when working with more dangerous circuits. Experience has taught me that students who learn early on to be careless with safe circuits have a tendency to be careless later with dangerous circuits!

In addition to the electrical hazards of shock and burns, the construction of projects and running of experiments often poses other hazards such as working with hand and power tools, potential

---

<sup>1</sup>Professor Charles Dalziel published a research paper in 1961 called “The Deleterious Effects of Electric Shock” detailing the results of electric shock experiments with both human and animal subjects. The threshold of perception for human subjects holding a conductor in their hand was in the range of 1 milliamperes of current (less than this for alternating current, and generally less for female subjects than for male). Loss of muscular control was exhibited by half of Dalziel’s subjects at less than 10 milliamperes alternating current. Extreme pain, difficulty breathing, and loss of all muscular control occurred for over 99% of his subjects at direct currents less than 100 milliamperes and alternating currents less than 30 milliamperes. In summary, it doesn’t require much electric current to induce painful and even life-threatening effects in the human body! Your first and best protection against electric shock is maintaining an insulating barrier between your body and the circuit in question, such that current from that circuit will be unable to flow through your body.

<sup>2</sup>By “electrical contact” I mean either directly touching an energized conductor with any part of your body, or indirectly touching it through a conductive tool. The only physical contact you should ever make with an energized conductor is via an electrically insulated tool, for example a screwdriver with an electrically insulated handle, or an insulated test probe for some instrument.

<sup>3</sup>Another reason for consistently enforcing this policy, even on low-voltage circuits, is due to the dangers that even some low-voltage circuits harbor. A single 12 Volt automobile battery, for example, can cause a surprising amount of damage if short-circuited simply due to the high current levels (i.e. very low internal resistance) it is capable of, even though the voltage level is too low to cause a shock through the skin. Mechanics wearing metal rings, for example, are at risk from severe burns if their rings happen to short-circuit such a battery! Furthermore, even when working on circuits that are simply too low-power (low voltage and low current) to cause any bodily harm, touching them while energized can pose a threat to the circuit components themselves. In summary, it generally wise (and *always* a good habit to build) to “power down” *any* circuit before making contact between it and your body.

contact with high temperatures, potential chemical exposure, etc. You should never proceed with a project or experiment if you are unaware of proper tool use or lack basic protective measures (e.g. personal protective equipment such as safety glasses) against such hazards.

Some other safety-related practices should be followed as well:

- All power conductors extending outward from the project must be *firmly* strain-relieved (e.g. “cord grips” used on line power cords), so that an accidental tug or drop will not compromise circuit integrity.
- All electrical connections must be sound and appropriately made (e.g. soldered wire joints rather than twisted-and-taped; terminal blocks rather than solderless breadboards for high-current or high-voltage circuits). Use “touch-safe” terminal connections with recessed metal parts to minimize risk of accidental contact.
- Always provide overcurrent protection in any circuit you build. *Always*. This may be in the form of a fuse, a circuit breaker, and/or an electronically current-limited power supply.
- Always ensure circuit conductors are rated for more current than the overcurrent protection limit. *Always*. A fuse does no good if the wire or printed circuit board trace will “blow” before it does!
- Always bond metal enclosures to Earth ground for any line-powered circuit. *Always*. Ensuring an equipotential state between the enclosure and Earth by making the enclosure electrically common with Earth ground ensures no electric shock can occur simply by one’s body bridging between the Earth and the enclosure.
- Avoid building a high-energy circuit when a low-energy circuit will suffice. For example, I always recommend beginning students power their first DC resistor circuits using small batteries rather than with line-powered DC power supplies. The intrinsic energy limitations of a dry-cell battery make accidents highly unlikely.
- Use line power receptacles that are GFCI (Ground Fault Current Interrupting) to help avoid electric shock from making accidental contact with a “hot” line conductor.
- Always wear eye protection when working with tools or live systems having the potential to eject material into the air. Examples of such activities include soldering, drilling, grinding, cutting, wire stripping, working on or near energized circuits, etc.
- Always use a step-stool or stepladder to reach high places. Never stand on something not designed to support a human load.
- When in doubt, *ask an expert*. If anything even seems remotely unsafe to you, do not proceed without consulting a trusted person fully knowledgeable in electrical safety.

### 5.1.2 Other helpful tips

Experience has shown the following practices to be very helpful, especially when students make their own component selections, to ensure the circuits will be well-behaved:

- Avoid resistor values less than 1 k $\Omega$  or greater than 100 k $\Omega$ , unless such values are definitely necessary<sup>4</sup>. Resistances below 1 k $\Omega$  may draw excessive current if directly connected to a voltage source of significant magnitude, and may also complicate the task of accurately measuring current since any ammeter's non-zero resistance inserted in series with a low-value circuit resistor will significantly alter the total resistance and thereby skew the measurement. Resistances above 100 k $\Omega$  may complicate the task of measuring voltage since any voltmeter's finite resistance connected in parallel with a high-value circuit resistor will significantly alter the total resistance and thereby skew the measurement. Similarly, AC circuit impedance values should be between 1 k $\Omega$  and 100 k $\Omega$ , and for all the same reasons.
- Ensure all electrical connections are low-resistance and physically rugged. For this reason, one should avoid *compression splices* (e.g. "butt" connectors), solderless breadboards<sup>5</sup>, and wires that are simply twisted together.
- Build your circuit with **testing** in mind. For example, provide convenient connection points for test equipment (e.g. multimeters, oscilloscopes, signal generators, logic probes).
- Design permanent projects with **maintenance** in mind. The more convenient you make maintenance tasks, the more likely they will get done.
- **Always document and save your work.** Circuits lacking schematic diagrams are more difficult to troubleshoot than documented circuits. Similarly, circuit construction is simpler when a schematic diagram precedes construction. Experimental results are easier to interpret when comprehensively recorded. Consider modern videorecording technology for this purpose where appropriate.
- **Record your steps** when troubleshooting. **Talk to yourself** when solving problems. These simple steps clarify thought and simplify identification of errors.

---

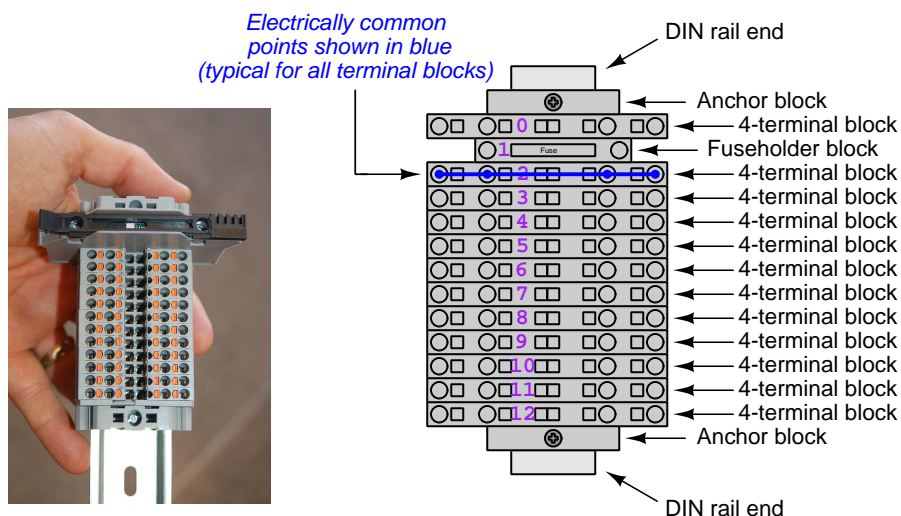
<sup>4</sup>An example of a necessary resistor value much less than 1 k $\Omega$  is a *shunt resistor* used to produce a small voltage drop for the purpose of sensing current in a circuit. Such shunt resistors must be low-value in order not to impose an undue load on the rest of the circuit. An example of a necessary resistor value much greater than 100 k $\Omega$  is an electrostatic *drain resistor* used to dissipate stored electric charges from body capacitance for the sake of preventing damage to sensitive semiconductor components, while also preventing a path for current that could be dangerous to the person (i.e. shock).

<sup>5</sup>Admittedly, solderless breadboards are very useful for constructing complex electronic circuits with many components, especially DIP-style integrated circuits (ICs), but they tend to give trouble with connection integrity after frequent use. An alternative for projects using low counts of ICs is to solder IC sockets into prototype printed circuit boards (PCBs) and run wires from the soldered pins of the IC sockets to terminal blocks where reliable temporary connections may be made.

### 5.1.3 Terminal blocks for circuit construction

Terminal blocks are the standard means for making electric circuit connections in industrial systems. They are also quite useful as a learning tool, and so I highly recommend their use in lieu of solderless breadboards<sup>6</sup>. Terminal blocks provide highly reliable connections capable of withstanding significant voltage and current magnitudes, and they force the builder to think very carefully about component layout which is an important mental practice. Terminal blocks that mount on standard 35 mm DIN rail<sup>7</sup> are made in a wide range of types and sizes, some with built-in disconnecting switches, some with built-in components such as rectifying diodes and fuseholders, all of which facilitate practical circuit construction.

I recommend every student of electricity build their own terminal block array for use in constructing experimental circuits, consisting of several terminal blocks where each block has at least 4 connection points all electrically common to each other<sup>8</sup> and at least one terminal block that is a fuse holder for overcurrent protection. A pair of anchoring blocks hold all terminal blocks securely on the DIN rail, preventing them from sliding off the rail. Each of the terminals should bear a number, starting from 0. An example is shown in the following photograph and illustration:



Screwless terminal blocks (using internal spring clips to clamp wire and component lead ends) are preferred over screw-based terminal blocks, as they reduce assembly and disassembly time, and also minimize repetitive wrist stress from twisting screwdrivers. Some screwless terminal blocks require the use of a special tool to release the spring clip, while others provide buttons<sup>9</sup> for this task which may be pressed using the tip of any suitable tool.

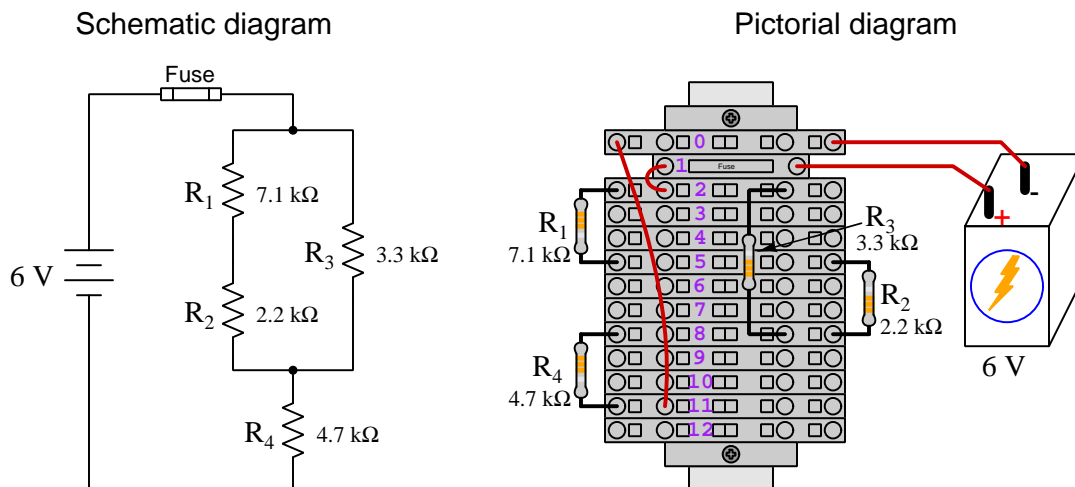
<sup>6</sup>Solderless breadboard are preferable for complicated electronic circuits with multiple integrated “chip” components, but for simpler circuits I find terminal blocks much more practical. An alternative to solderless breadboards for “chip” circuits is to solder chip sockets onto a PCB and then use wires to connect the socket pins to terminal blocks. This also accommodates *surface-mount* components, which solderless breadboards do not.

<sup>7</sup>DIN rail is a metal rail designed to serve as a mounting point for a wide range of electrical and electronic devices such as terminal blocks, fuses, circuit breakers, relay sockets, power supplies, data acquisition hardware, etc.

<sup>8</sup>Sometimes referred to as *equipotential*, *same-potential*, or *potential distribution* terminal blocks.

<sup>9</sup>The small orange-colored squares seen in the above photograph are buttons for this purpose, and may be actuated by pressing with any tool of suitable size.

The following example shows how such a terminal block array might be used to construct a series-parallel resistor circuit consisting of four resistors and a battery:



Numbering on the terminal blocks provides a very natural translation to SPICE<sup>10</sup> netlists, where component connections are identified by terminal number:

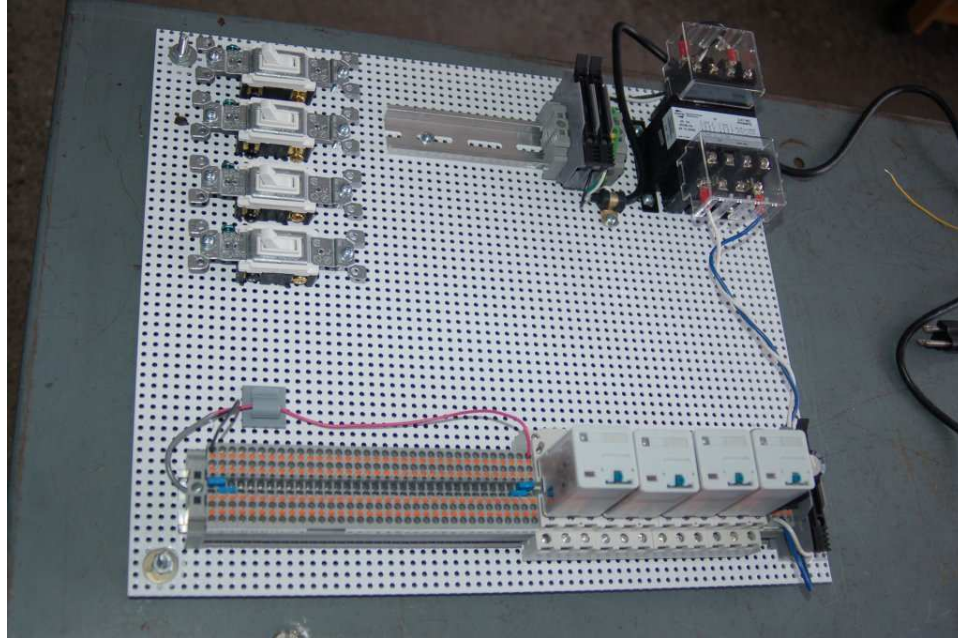
```
* Series-parallel resistor circuit
v1 1 0 dc 6
r1 2 5 7100
r2 5 8 2200
r3 2 8 3300
r4 8 11 4700
rjmp1 1 2 0.01
rjmp2 0 11 0.01
.op
.end
```

Note the use of “jumper” resistances `rjmp1` and `rjmp2` to describe the wire connections between terminals 1 and 2 and between terminals 0 and 11, respectively. Being resistances, SPICE requires a resistance value for each, and here we see they have both been set to an arbitrarily low value of 0.01 Ohm realistic for short pieces of wire.

Listing all components and wires along with their numbered terminals happens to be a useful documentation method for any circuit built on terminal blocks, independent of SPICE. Such a “wiring sequence” may be thought of as a *non-graphical description* of an electric circuit, and is exceptionally easy to follow.

<sup>10</sup>SPICE is computer software designed to analyze electrical and electronic circuits. Circuits are described for the computer in the form of *netlists* which are text files listing each component type, connection node numbers, and component values.

An example of a more elaborate terminal block array is shown in the following photograph, with terminal blocks and “ice-cube” style electromechanical relays mounted to DIN rail, which is turn mounted to a perforated subpanel<sup>11</sup>. This “terminal block board” hosts an array of thirty five undedicated terminal block sections, four SPDT toggle switches, four DPDT “ice-cube” relays, a step-down control power transformer, bridge rectifier and filtering capacitor, and several fuses for overcurrent protection:



Four plastic-bottomed “feet” support the subpanel above the benchtop surface, and an unused section of DIN rail stands ready to accept other components. Safety features include electrical bonding of the AC line power cord’s ground to the metal subpanel (and all metal DIN rails), mechanical strain relief for the power cord to isolate any cord tension from wire connections, clear plastic finger guards covering the transformer’s screw terminals, as well as fused overcurrent protection for the 120 Volt AC line power and the transformer’s 12 Volt AC output. The perforated holes happen to be on  $\frac{1}{4}$  inch centers with a diameter suitable for tapping with 6-32 machine screw threads, their presence making it very easy to attach other sections of DIN rail, printed circuit boards, or specialized electrical components directly to the grounded metal subpanel. Such a “terminal block board” is an inexpensive<sup>12</sup> yet highly flexible means to construct physically robust circuits using industrial wiring practices.

<sup>11</sup>An electrical *subpanel* is a thin metal plate intended for mounting inside an electrical enclosure. Components are attached to the subpanel, and the subpanel in turn bolts inside the enclosure. Subpanels allow circuit construction outside the confines of the enclosure, which speeds assembly. In this particular usage there is no enclosure, as the subpanel is intended to be used as an open platform for the convenient construction of circuits on a benchtop by students. In essence, this is a modern version of the traditional *breadboard* which was literally a wooden board such as might be used for cutting loaves of bread, but which early electrical and electronic hobbyists used as platforms for the construction of circuits.

<sup>12</sup>At the time of this writing (2019) the cost to build this board is approximately \$250 US dollars.

### 5.1.4 Conducting experiments

An *experiment* is an exploratory act, a test performed for the purpose of assessing some proposition or principle. Experiments are the foundation of the *scientific method*, a process by which careful observation helps guard against errors of speculation. All good experiments begin with an *hypothesis*, defined by the American Heritage Dictionary of the English Language as:

An assertion subject to verification or proof, as (a) A proposition stated as a basis for argument or reasoning. (b) A premise from which a conclusion is drawn. (c) A conjecture that accounts, within a theory or ideational framework, for a set of facts and that can be used as a basis for further investigation.

Stated plainly, an hypothesis is an *educated guess* about cause and effect. The correctness of this initial guess matters little, because any well-designed experiment will reveal the truth of the matter. In fact, *incorrect* hypotheses are often the most valuable because the experiments they engender lead us to surprising discoveries. One of the beautiful aspects of science is that it is more focused on the process of *learning* than about the status of *being correct*<sup>13</sup>. In order for an hypothesis to be valid, it must be testable<sup>14</sup>, which means it must be a claim possible to refute given the right data. Hypotheses impossible to critique are useless.

Once an hypothesis has been formulated, an experiment must be designed to test that hypothesis. A well-designed experiment requires careful regulation of all relevant variables, both for personal safety and for prompting the hypothesized results. If the effects of one particular variable are to be tested, the experiment must be run multiple times with different values of (only) that particular variable. The experiment set up with the “baseline” variable set is called the *control*, while the experiment set up with different value(s) is called the *test* or *experimental*.

For some hypotheses a viable alternative to a physical experiment is a *computer-simulated experiment* or even a *thought experiment*. Simulations performed on a computer test the hypothesis against the physical laws encoded within the computer simulation software, and are particularly useful for students learning new principles for which simulation software is readily available<sup>15</sup>.

<sup>13</sup>Science is more about clarifying our view of the universe through a systematic process of error detection than it is about proving oneself to be right. Some *scientists* may happen to have large egos – and this may have more to do with the ways in which large-scale scientific research is *funded* than anything else – but *scientific method* itself is devoid of ego, and if embraced as a practical philosophy is quite an effective stimulant for humility. Within the education system, scientific method is particularly valuable for helping students break free of the crippling fear of *being wrong*. So much emphasis is placed in formal education on assessing correct retention of facts that many students are fearful of saying or doing anything that might be perceived as a mistake, and of course making mistakes (i.e. having one’s hypotheses disproven by experiment) is an indispensable tool for learning. Introducing science in the classroom – *real* science characterized by individuals forming actual hypotheses and testing those hypotheses by experiment – helps students become self-directed learners.

<sup>14</sup>This is the principle of *falsifiability*: that a scientific statement has value only insofar as it is liable to disprove given the requisite experimental evidence. Any claim that is unfalsifiable – that is, a claim which can *never* be disproven by any evidence whatsoever – could be completely wrong and we could never know it.

<sup>15</sup>A very pertinent example of this is learning how to analyze electric circuits using simulation software such as SPICE. A typical experimental cycle would proceed as follows: (1) Find or invent a circuit to analyze; (2) Apply your analytical knowledge to that circuit, predicting all voltages, currents, powers, etc. relevant to the concepts you are striving to master; (3) Run a simulation on that circuit, collecting “data” from the computer when complete; (4) Evaluate whether or not your hypotheses (i.e. predicted voltages, currents, etc.) agree with the computer-generated results; (5) If so, your analyses are (provisionally) correct – if not, examine your analyses and the computer simulation again to determine the source of error; (6) Repeat this process as many times as necessary until you achieve mastery.

Thought experiments are useful for detecting inconsistencies within your own understanding of some subject, rather than testing your understanding against physical reality.

Here are some general guidelines for conducting experiments:

- The clearer and more specific the hypothesis, the better. Vague or unfalsifiable hypotheses are useless because they will fit *any* experimental results, and therefore the experiment cannot teach you anything about the hypothesis.
- Collect as much data (i.e. information, measurements, sensory experiences) generated by an experiment as is practical. This includes the time and date of the experiment, too!
- *Never* discard or modify data gathered from an experiment. If you have reason to believe the data is unreliable, write notes to that effect, but never throw away data just because you think it is untrustworthy. It is quite possible that even “bad” data holds useful information, and that someone else may be able to uncover its value even if you do not.
- Prioritize *quantitative* data over *qualitative* data wherever practical. Quantitative data is more specific than qualitative, less prone to subjective interpretation on the part of the experimenter, and amenable to an arsenal of analytical methods (e.g. statistics).
- Guard against your own bias(es) by making your experimental results available to others. This allows other people to scrutinize your experimental design and collected data, for the purpose of detecting and correcting errors you may have missed. Document your experiment such that others may independently replicate it.
- Always be looking for sources of error. No physical measurement is perfect, and so it is impossible to achieve *exact* values for any variable. Quantify the amount of uncertainty (i.e. the “tolerance” of errors) whenever possible, and be sure your hypothesis does not depend on precision better than this!
- Always remember that scientific confirmation is provisional – no number of “successful” experiments will prove an hypothesis true for all time, but a single experiment can disprove it. Put into simpler terms, *truth is elusive but error is within reach*.
- Remember that scientific method is about *learning*, first and foremost. An unfortunate consequence of scientific triumph in modern society is that science is often viewed by non-practitioners as an unerring source of truth, when in fact science is an ongoing process of challenging existing ideas to probe for errors and oversights. This is why it is perfectly acceptable to have a failed hypothesis, and why the only truly failed experiment is one where nothing was learned.



The following is an example of a well-planned and executed experiment, in this case a physical experiment demonstrating Ohm's Law.

Planning Time/Date = 09:30 on 12 February 2019

HYPOTHESIS: the current through any resistor should be exactly proportional to the voltage impressed across it.

PROCEDURE: connect a resistor rated 1 k Ohm and 1/4 Watt to a variable-voltage DC power supply. Use an ammeter in series to measure resistor current and a voltmeter in parallel to measure resistor voltage.

RISKS AND MITIGATION: excessive power dissipation may harm the resistor and/or pose a burn hazard, while excessive voltage poses an electric shock hazard. 30 Volts is a safe maximum voltage for laboratory practices, and according to Joule's Law a 1000 Ohm resistor will dissipate 0.25 Watts at 15.81 Volts ( $P = V^2 / R$ ), so I will remain below 15 Volts just to be safe.

Experiment Time/Date = 10:15 on 12 February 2019

DATA COLLECTED:

(Voltage)	(Current)	(Voltage)	(Current)
0.000 V	= 0.000 mA	8.100	= 7.812 mA
2.700 V	= 2.603 mA	10.00 V	= 9.643 mA
5.400 V	= 5.206 mA	14.00 V	= 13.49 mA

Analysis Time/Date = 10:57 on 12 February 2019

ANALYSIS: current definitely increases with voltage, and although I expected exactly one milliAmpere per Volt the actual current was usually less than that. The voltage/current ratios ranged from a low of 1036.87 (at 8.1 Volts) to a high of 1037.81 (at 14 Volts), but this represents a variance of only -0.0365% to +0.0541% from the average, indicating a very consistent proportionality -- results consistent with Ohm's Law.

ERROR SOURCES: one major source of error is the resistor's value itself. I did not measure it, but simply assumed color bands of brown-black-red meant exactly 1000 Ohms. Based on the data I think the true resistance is closer to 1037 Ohms. Another possible explanation is multimeter calibration error. However, neither explains the small positive and negative variances from the average. This might be due to electrical noise, a good test being to repeat the same experiment to see if the variances are the same or different. Noise should generate slightly different results every time.

The following is an example of a well-planned and executed *virtual* experiment, in this case demonstrating Ohm's Law using a computer (SPICE) simulation.

Planning Time/Date = 12:32 on 14 February 2019

HYPOTHESIS: for any given resistor, the current through that resistor should be exactly proportional to the voltage impressed across it.

PROCEDURE: write a SPICE netlist with a single DC voltage source and single 1000 Ohm resistor, then use NGSPICE version 26 to perform a "sweep" analysis from 0 Volts to 25 Volts in 5 Volt increments.

```
* SPICE circuit
v1 1 0 dc
r1 1 0 1000
.dc v1 0 25 5
.print dc v(1) i(v1)
.end
```

RISKS AND MITIGATION: none.

DATA COLLECTED:

DC transfer characteristic Thu Feb 14 13:05:08 2019

Index	v-sweep	v(1)	v1#branch
0	0.000000e+00	0.000000e+00	0.000000e+00
1	5.000000e+00	5.000000e+00	-5.00000e-03
2	1.000000e+01	1.000000e+01	-1.00000e-02
3	1.500000e+01	1.500000e+01	-1.50000e-02
4	2.000000e+01	2.000000e+01	-2.00000e-02
5	2.500000e+01	2.500000e+01	-2.50000e-02

Analysis Time/Date = 13:06 on 14 February 2019

ANALYSIS: perfect agreement between data and hypothesis -- current is precisely 1/1000 of the applied voltage for all values. Anything other than perfect agreement would have probably meant my netlist was incorrect. The negative current values surprised me, but it seems this is just how SPICE interprets normal current through a DC voltage source.

ERROR SOURCES: none.

As gratuitous as it may seem to perform experiments on a physical law as well-established as Ohm's Law, even the examples listed previously demonstrate opportunity for real learning. In the physical experiment example, the student should identify and explain why their data does not perfectly agree with the hypothesis, and this leads them naturally to consider sources of error. In the computer-simulated experiment, the student is struck by SPICE's convention of denoting regular current through a DC voltage source as being *negative* in sign, and this is also useful knowledge for future simulations. Scientific experiments are most interesting when things *do not* go as planned!

Aside from verifying well-established physical laws, simple experiments are extremely useful as educational tools for a wide range of purposes, including:

- Component familiarization (e.g. *Which terminals of this switch connect to the NO versus NC contacts?*)
- System testing (e.g. *How heavy of a load can my AC-DC power supply source before the semiconductor components reach their thermal limits?*)
- Learning programming languages (e.g. *Let's try to set up an "up" counter function in this PLC!*)

Above all, the priority here is to inculcate the habit of hypothesizing, running experiments, and analyzing the results. This experimental cycle not only serves as an excellent method for self-directed learning, but it also works exceptionally well for troubleshooting faults in complex systems, and for these reasons should be a part of every technician's and every engineer's education.

### 5.1.5 Constructing projects

Designing, constructing, and testing projects is a very effective means of practical education. Within a formal educational setting, projects are generally chosen (or at least vetted) by an instructor to ensure they may be reasonably completed within the allotted time of a course or program of study, and that they sufficiently challenge the student to learn certain important principles. In a self-directed environment, projects are just as useful as a learning tool but there is some risk of unwittingly choosing a project beyond one's abilities, which can lead to frustration.

Here are some general guidelines for managing projects:

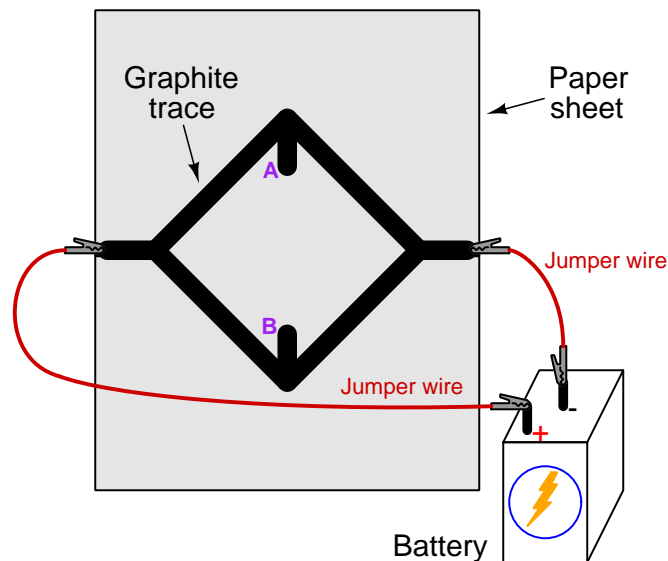
- Define your goal(s) before beginning a project: what do you wish to achieve in building it? What, exactly, should the completed project *do*?
- Analyze your project prior to construction. Document it in appropriate forms (e.g. schematic diagrams), predict its functionality, anticipate all associated risks. In other words, *plan ahead*.
- Set a reasonable budget for your project, and stay within it.
- Identify any deadlines, and set reasonable goals to meet those deadlines.
- Beware of *scope creep*: the tendency to modify the project's goals before it is complete.
- Document your progress! An easy way to do this is to use photography or videography: take photos and/or videos of your project as it progresses. Document failures as well as successes, because both are equally valuable from the perspective of learning.

## 5.2 Experiment: pencil-trace bridge circuit

In this experiment you will sketch a bridge circuit on a piece of paper using a soft-graphite pencil, energize it using a battery, and measure its voltage using a digital multimeter (DMM).

- A clean sheet of white notebook paper
- A soft-lead pencil (no harder than #2 “lead” hardness rating)
- Rubber eraser
- A digital multimeter (DMM) capable of measuring DC voltage
- 6 or 9 Volt battery for powering the bridge circuit
- Alligator-clip style jumper wires to connect the battery to the paper

Use the pencil to draw an open bridge circuit on the paper sheet with connection points on the paper’s edge to receive the alligator clips, like this:



Attach the alligator clip jumper wires as shown, one to each end of the bridge circuit, being sure to make contact between the metal jaw of each alligator clip and the graphite mark. Connect the other ends of the jumper wires to the two terminals of your battery.

Each graphite trace drawn on the paper possesses a certain amount of electrical resistance. That resistance may be decreased by drawing the line darker and/or wider, and increased by using an eraser to make the line lighter and/or thinner.

Measure voltage between test points **A** and **B**. Experiment with using your pencil and eraser to make this voltage increase and decrease. Identify any patterns you see (e.g. “ $V_{AB}$  increases when I . . .”), to the point where you are able to adjust  $V_{AB}$  at will.

Challenges
------------

- Does the physical size of the sketched bridge matter? Are small bridges easier to manipulate than large bridges?
- Predict the effect(s) of reversing the battery's polarity.
- Predict the effect(s) of moving the alligator clip farther off the paper so that its teeth contact less of the graphite trace.
- Predict the effect(s) of shorting past a portion of one of the bridge's "arms" (sides of the diamond-shape) using another jumper wire.
- Predict the effect of sliding one of your voltmeter's test leads to some point on the graphite trace other than the marked test point.

# Appendix A

## Problem-Solving Strategies

The ability to solve complex problems is arguably one of the most valuable skills one can possess, and this skill is particularly important in any science-based discipline.

- Study principles, not procedures. Don't be satisfied with merely knowing how to compute solutions – learn *why* those solutions work.
- Identify what it is you need to solve, identify all relevant data, identify all units of measurement, identify any general principles or formulae linking the given information to the solution, and then identify any “missing pieces” to a solution. Annotate all diagrams with this data.
- Sketch a diagram to help visualize the problem. When building a real system, always devise a plan for that system and analyze its function *before* constructing it.
- Follow the units of measurement and meaning of every calculation. If you are ever performing mathematical calculations as part of a problem-solving procedure, and you find yourself unable to apply each and every intermediate result to some aspect of the problem, it means you don't understand what you are doing. Properly done, every mathematical result should have practical meaning for the problem, and not just be an abstract number. You should be able to identify the proper units of measurement for each and every calculated result, and show where that result fits into the problem.
- Perform “thought experiments” to explore the effects of different conditions for theoretical problems. When troubleshooting real systems, perform *diagnostic tests* rather than visually inspecting for faults, the best diagnostic test being the one giving you the most information about the nature and/or location of the fault with the fewest steps.
- Simplify the problem until the solution becomes obvious, and then use that obvious case as a model to follow in solving the more complex version of the problem.
- Check for exceptions to see if your solution is incorrect or incomplete. A good solution will work for *all* known conditions and criteria. A good example of this is the process of testing scientific hypotheses: the task of a scientist is not to find support for a new idea, but rather to *challenge* that new idea to see if it holds up under a battery of tests. The philosophical

principle of *reductio ad absurdum* (i.e. disproving a general idea by finding a specific case where it fails) is useful here.

- Work “backward” from a hypothetical solution to a new set of given conditions.
- Add quantities to problems that are qualitative in nature, because sometimes a little math helps illuminate the scenario.
- Sketch graphs illustrating how variables relate to each other. These may be quantitative (i.e. with realistic number values) or qualitative (i.e. simply showing increases and decreases).
- Treat quantitative problems as qualitative in order to discern the relative magnitudes and/or directions of change of the relevant variables. For example, try determining what happens if a certain variable were to increase or decrease before attempting to precisely calculate quantities: how will each of the dependent variables respond, by increasing, decreasing, or remaining the same as before?
- Consider limiting cases. This works especially well for qualitative problems where you need to determine which direction a variable will change. Take the given condition and magnify that condition to an extreme degree as a way of simplifying the direction of the system’s response.
- Check your work. This means regularly testing your conclusions to see if they make sense. This does *not* mean repeating the same steps originally used to obtain the conclusion(s), but rather to use some other means to check validity. Simply repeating procedures often leads to *repeating the same errors* if any were made, which is why alternative paths are better.

## Appendix B

# Instructional philosophy

*“The unexamined circuit is not worth energizing”* – Socrates (if he had taught electricity)

These learning modules, although useful for self-study, were designed to be used in a formal learning environment where a subject-matter expert challenges students to digest the content and exercise their critical thinking abilities in the answering of questions and in the construction and testing of working circuits.

The following principles inform the instructional and assessment philosophies embodied in these learning modules:

- The first goal of education is to enhance clear and independent thought, in order that every student reach their fullest potential in a highly complex and inter-dependent world. Robust reasoning is *always* more important than particulars of any subject matter, because its application is universal.
- Literacy is fundamental to independent learning and thought because text continues to be the most efficient way to communicate complex ideas over space and time. Those who cannot read with ease are limited in their ability to acquire knowledge and perspective.
- Articulate communication is fundamental to work that is complex and interdisciplinary.
- Faulty assumptions and poor reasoning are best corrected through challenge, not presentation. The rhetorical technique of *reductio ad absurdum* (disproving an assertion by exposing an absurdity) works well to discipline student’s minds, not only to correct the problem at hand but also to learn how to detect and correct future errors.
- Important principles should be repeatedly explored and widely applied throughout a course of study, not only to reinforce their importance and help ensure their mastery, but also to showcase the interconnectedness and utility of knowledge.



These learning modules were expressly designed to be used in an “inverted” teaching environment<sup>1</sup> where students first read the introductory and tutorial chapters on their own, then individually attempt to answer the questions and construct working circuits according to the experiment and project guidelines. The instructor never lectures, but instead meets regularly with each individual student to review their progress, answer questions, identify misconceptions, and challenge the student to new depths of understanding through further questioning. Regular meetings between instructor and student should resemble a Socratic<sup>2</sup> dialogue, where questions serve as scalpels to dissect topics and expose assumptions. The student passes each module only after consistently demonstrating their ability to logically analyze and correctly apply all major concepts in each question or project/experiment. The instructor must be vigilant in probing each student’s understanding to ensure they are truly *reasoning* and not just *memorizing*. This is why “Challenge” points appear throughout, as prompts for students to think deeper about topics and as starting points for instructor queries. Sometimes these challenge points require additional knowledge that hasn’t been covered in the series to answer in full. This is okay, as the major purpose of the Challenges is to stimulate analysis and synthesis on the part of each student.

The instructor must possess enough mastery of the subject matter and awareness of students’ reasoning to generate their own follow-up questions to practically any student response. Even completely correct answers given by the student should be challenged by the instructor for the purpose of having students practice articulating their thoughts and defending their reasoning. Conceptual errors committed by the student should be exposed and corrected not by direct instruction, but rather by reducing the errors to an absurdity<sup>3</sup> through well-chosen questions and thought experiments posed by the instructor. Becoming proficient at this style of instruction requires time and dedication, but the positive effects on critical thinking for both student and instructor are spectacular.

An inspection of these learning modules reveals certain unique characteristics. One of these is a bias toward thorough explanations in the tutorial chapters. Without a live instructor to explain concepts and applications to students, the text itself must fulfill this role. This philosophy results in lengthier explanations than what you might typically find in a textbook, each step of the reasoning process fully explained, including footnotes addressing common questions and concerns students raise while learning these concepts. Each tutorial seeks to not only explain each major concept in sufficient detail, but also to explain the logic of each concept and how each may be developed

---

<sup>1</sup>In a traditional teaching environment, students first encounter new information via *lecture* from an expert, and then independently apply that information via *homework*. In an “inverted” course of study, students first encounter new information via *homework*, and then independently apply that information under the scrutiny of an expert. The expert’s role in lecture is to simply *explain*, but the expert’s role in an inverted session is to *challenge, critique*, and if necessary *explain* where gaps in understanding still exist.

<sup>2</sup>Socrates is a figure in ancient Greek philosophy famous for his unflinching style of questioning. Although he authored no texts, he appears as a character in Plato’s many writings. The essence of Socratic philosophy is to leave no question unexamined and no point of view unchallenged. While purists may argue a topic such as electric circuits is too narrow for a true Socratic-style dialogue, I would argue that the essential thought processes involved with scientific reasoning on *any* topic are not far removed from the Socratic ideal, and that students of electricity and electronics would do very well to challenge assumptions, pose thought experiments, identify fallacies, and otherwise employ the arsenal of critical thinking skills modeled by Socrates.

<sup>3</sup>This rhetorical technique is known by the Latin phrase *reductio ad absurdum*. The concept is to expose errors by counter-example, since only one solid counter-example is necessary to disprove a universal claim. As an example of this, consider the common misconception among beginning students of electricity that voltage cannot exist without current. One way to apply *reductio ad absurdum* to this statement is to ask how much current passes through a fully-charged battery connected to nothing (i.e. a clear example of voltage existing without current).

from “first principles”. Again, this reflects the goal of developing clear and independent thought in students’ minds, by showing how clear and logical thought was used to forge each concept. Students benefit from witnessing a model of clear thinking in action, and these tutorials strive to be just that.

Another characteristic of these learning modules is a lack of step-by-step instructions in the Project and Experiment chapters. Unlike many modern workbooks and laboratory guides where step-by-step instructions are prescribed for each experiment, these modules take the approach that students must learn to closely read the tutorials and apply their own reasoning to identify the appropriate experimental steps. Sometimes these steps are plainly declared in the text, just not as a set of enumerated points. At other times certain steps are implied, an example being assumed competence in test equipment use where the student should not need to be told *again* how to use their multimeter because that was thoroughly explained in previous lessons. In some circumstances no steps are given at all, leaving the entire procedure up to the student.

This lack of prescription is not a flaw, but rather a feature. Close reading and clear thinking are foundational principles of this learning series, and in keeping with this philosophy all activities are designed to *require* those behaviors. Some students may find the lack of prescription frustrating, because it demands more from them than what their previous educational experiences required. This frustration should be interpreted as an unfamiliarity with autonomous thinking, a problem which must be corrected if the student is ever to become a self-directed learner and effective problem-solver. Ultimately, the need for students to read closely and think clearly is more important both in the near-term and far-term than any specific facet of the subject matter at hand. If a student takes longer than expected to complete a module because they are forced to outline, digest, and reason on their own, so be it. The future gains enjoyed by developing this mental discipline will be well worth the additional effort and delay.

Another feature of these learning modules is that they do not treat topics in isolation. Rather, important concepts are introduced early in the series, and appear repeatedly as stepping-stones toward other concepts in subsequent modules. This helps to avoid the “compartmentalization” of knowledge, demonstrating the inter-connectedness of concepts and simultaneously reinforcing them. Each module is fairly complete in itself, reserving the beginning of its tutorial to a review of foundational concepts.

This methodology of assigning text-based modules to students for digestion and then using Socratic dialogue to assess progress and hone students’ thinking was developed over a period of several years by the author with his Electronics and Instrumentation students at the two-year college level. While decidedly unconventional and sometimes even unsettling for students accustomed to a more passive lecture environment, this instructional philosophy has proven its ability to convey conceptual mastery, foster careful analysis, and enhance employability so much better than lecture that the author refuses to ever teach by lecture again.

Problems which often go undiagnosed in a lecture environment are laid bare in this “inverted” format where students must articulate and logically defend their reasoning. This, too, may be unsettling for students accustomed to lecture sessions where the instructor cannot tell for sure who comprehends and who does not, and this vulnerability necessitates sensitivity on the part of the “inverted” session instructor in order that students never feel discouraged by having their errors exposed. *Everyone* makes mistakes from time to time, and learning is a lifelong process! Part of the instructor’s job is to build a culture of learning among the students where errors are not seen as shameful, but rather as opportunities for progress.

To this end, instructors managing courses based on these modules should adhere to the following principles:

- Student questions are always welcome and demand thorough, honest answers. The only type of question an instructor should refuse to answer is one the student should be able to easily answer on their own. Remember, *the fundamental goal of education is for each student to learn to think clearly and independently*. This requires hard work on the part of the student, which no instructor should ever circumvent. Anything done to bypass the student's responsibility to do that hard work ultimately limits that student's potential and thereby does real harm.
- It is not only permissible, but encouraged, to answer a student's question by asking questions in return, these follow-up questions designed to guide the student to reach a correct answer through their own reasoning.
- All student answers demand to be challenged by the instructor and/or by other students. This includes both correct and incorrect answers – the goal is to practice the articulation and defense of one's own reasoning.
- No reading assignment is deemed complete unless and until the student demonstrates their ability to accurately summarize the major points in their own terms. Recitation of the original text is unacceptable. This is why every module contains an "Outline and reflections" question as well as a "Foundational concepts" question in the Conceptual reasoning section, to prompt reflective reading.
- No assigned question is deemed answered unless and until the student demonstrates their ability to consistently and correctly apply the concepts to *variations* of that question. This is why module questions typically contain multiple "Challenges" suggesting different applications of the concept(s) as well as variations on the same theme(s). Instructors are encouraged to devise as many of their own "Challenges" as they are able, in order to have a multitude of ways ready to probe students' understanding.
- No assigned experiment or project is deemed complete unless and until the student demonstrates the task in action. If this cannot be done "live" before the instructor, video-recordings showing the demonstration are acceptable. All relevant safety precautions must be followed, all test equipment must be used correctly, and the student must be able to properly explain all results. The student must also successfully answer all Challenges presented by the instructor for that experiment or project.

Students learning from these modules would do well to abide by the following principles:

- No text should be considered fully and adequately read unless and until you can express every idea *in your own words, using your own examples*.
- You should always articulate your thoughts as you read the text, noting points of agreement, confusion, and epiphanies. Feel free to print the text on paper and then write your notes in the margins. Alternatively, keep a journal for your own reflections as you read. This is truly a helpful tool when digesting complicated concepts.
- Never take the easy path of highlighting or underlining important text. Instead, *summarize* and/or *comment* on the text using your own words. This actively engages your mind, allowing you to more clearly perceive points of confusion or misunderstanding on your own.
- A very helpful strategy when learning new concepts is to place yourself in the role of a teacher, if only as a mental exercise. Either explain what you have recently learned to someone else, or at least *imagine* yourself explaining what you have learned to someone else. The simple act of having to articulate new knowledge and skill forces you to take on a different perspective, and will help reveal weaknesses in your understanding.
- Perform each and every mathematical calculation and thought experiment shown in the text on your own, referring back to the text to see that your results agree. This may seem trivial and unnecessary, but it is critically important to ensuring you actually understand what is presented, especially when the concepts at hand are complicated and easy to misunderstand. Apply this same strategy to become proficient in the use of *circuit simulation software*, checking to see if your simulated results agree with the results shown in the text.
- Above all, recognize that learning is hard work, and that a certain level of frustration is unavoidable. There are times when you will struggle to grasp some of these concepts, and that struggle is a natural thing. Take heart that it will yield with persistent and varied<sup>4</sup> effort, and never give up!

Students interested in using these modules for self-study will also find them beneficial, although the onus of responsibility for thoroughly reading and answering questions will of course lie with that individual alone. If a qualified instructor is not available to challenge students, a workable alternative is for students to form study groups where they challenge<sup>5</sup> one another.

To high standards of education,

Tony R. Kuphaldt

---

<sup>4</sup>As the old saying goes, “Insanity is trying the same thing over and over again, expecting different results.” If you find yourself stumped by something in the text, you should attempt a different approach. Alter the thought experiment, change the mathematical parameters, do whatever you can to see the problem in a slightly different light, and then the solution will often present itself more readily.

<sup>5</sup>Avoid the temptation to simply share answers with study partners, as this is really counter-productive to learning. Always bear in mind that the answer to any question is far less important in the long run than the method(s) used to obtain that answer. The goal of education is to empower one’s life through the improvement of clear and independent thought, literacy, expression, and various practical skills.



# Appendix C

## Tools used

I am indebted to the developers of many open-source software applications in the creation of these learning modules. The following is a list of these applications with some commentary on each.

You will notice a theme common to many of these applications: a bias toward *code*. Although I am by no means an expert programmer in any computer language, I understand and appreciate the flexibility offered by code-based applications where the user (you) enters commands into a plain ASCII text file, which the software then reads and processes to create the final output. Code-based computer applications are by their very nature *extensible*, while WYSIWYG (What You See Is What You Get) applications are generally limited to whatever user interface the developer makes for you.

### The GNU/Linux computer operating system

There is so much to be said about Linus Torvalds' `Linux` and Richard Stallman's `GNU` project. First, to credit just these two individuals is to fail to do justice to the *mob* of passionate volunteers who contributed to make this amazing software a reality. I first learned of `Linux` back in 1996, and have been using this operating system on my personal computers almost exclusively since then. It is *free*, it is completely *configurable*, and it permits the continued use of highly efficient `Unix` applications and scripting languages (e.g. shell scripts, Makefiles, `sed`, `awk`) developed over many decades. `Linux` not only provided me with a powerful computing platform, but its open design served to inspire my life's work of creating open-source educational resources.

### Bram Moolenaar's Vim text editor

Writing code for any code-based computer application requires a *text editor*, which may be thought of as a word processor strictly limited to outputting plain-ASCII text files. Many good text editors exist, and one's choice of text editor seems to be a deeply personal matter within the programming world. I prefer `Vim` because it operates very similarly to `vi` which is ubiquitous on `Unix/Linux` operating systems, and because it may be entirely operated via keyboard (i.e. no mouse required) which makes it fast to use.

### Donald Knuth's $\text{\TeX}$ typesetting system

Developed in the late 1970's and early 1980's by computer scientist extraordinaire Donald Knuth to typeset his multi-volume magnum opus *The Art of Computer Programming*, this software allows the production of formatted text for screen-viewing or paper printing, all by writing plain-text code to describe how the formatted text is supposed to appear.  $\text{\TeX}$  is not just a markup language for documents, but it is also a Turing-complete programming language in and of itself, allowing useful algorithms to be created to control the production of documents. Simply put,  *$\text{\TeX}$  is a programmer's approach to word processing*. Since  $\text{\TeX}$  is controlled by code written in a plain-text file, this means anyone may read that plain-text file to see exactly how the document was created. This openness afforded by the code-based nature of  $\text{\TeX}$  makes it relatively easy to learn how other people have created their own  $\text{\TeX}$  documents. By contrast, examining a beautiful document created in a conventional WYSIWYG word processor such as Microsoft **Word** suggests nothing to the reader about *how* that document was created, or what the user might do to create something similar. As Mr. Knuth himself once quipped, conventional word processing applications should be called WYSIAYG (What You See Is *All* You Get).

### Leslie Lamport's $\text{\LaTeX}$ extensions to $\text{\TeX}$

Like all true programming languages,  $\text{\TeX}$  is inherently extensible. So, years after the release of  $\text{\TeX}$  to the public, Leslie Lamport decided to create a massive extension allowing easier compilation of book-length documents. The result was  $\text{\LaTeX}$ , which is the markup language used to create all ModEL module documents. You could say that  $\text{\TeX}$  is to  $\text{\LaTeX}$  as **C** is to **C++**. This means it is permissible to use any and all  $\text{\TeX}$  commands within  $\text{\LaTeX}$  source code, and it all still works. Some of the features offered by  $\text{\LaTeX}$  that would be challenging to implement in  $\text{\TeX}$  include automatic index and table-of-content creation.

### Tim Edwards' **Xcircuit** drafting program

This wonderful program is what I use to create all the schematic diagrams and illustrations (but not photographic images or mathematical plots) throughout the ModEL project. It natively outputs PostScript format which is a true vector graphic format (this is why the images do not pixellate when you zoom in for a closer view), and it is so simple to use that I have never had to read the manual! Object libraries are easy to create for **Xcircuit**, being plain-text files using PostScript programming conventions. Over the years I have collected a large set of object libraries useful for drawing electrical and electronic schematics, pictorial diagrams, and other technical illustrations.

### Gimp graphic image manipulation program

Essentially an open-source clone of Adobe's `PhotoShop`, I use `Gimp` to resize, crop, and convert file formats for all of the photographic images appearing in the `MODEL` modules. Although `Gimp` does offer its own scripting language (called `Script-Fu`), I have never had occasion to use it. Thus, my utilization of `Gimp` to merely crop, resize, and convert graphic images is akin to using a sword to slice bread.

### SPICE circuit simulation program

`SPICE` is to circuit analysis as `TEX` is to document creation: it is a form of markup language designed to describe a certain object to be processed in plain-ASCII text. When the plain-text "source file" is compiled by the software, it outputs the final result. More modern circuit analysis tools certainly exist, but I prefer `SPICE` for the following reasons: it is *free*, it is *fast*, it is *reliable*, and it is a fantastic tool for *teaching* students of electricity and electronics how to write simple code. I happen to use rather old versions of `SPICE`, version 2g6 being my "go to" application when I only require text-based output. `NGSPICE` (version 26), which is based on Berkeley `SPICE` version 3f5, is used when I require graphical output for such things as time-domain waveforms and Bode plots. In all `SPICE` example netlists I strive to use coding conventions compatible with all `SPICE` versions.

### Andrew D. Hwang's ePiX mathematical visualization programming library

This amazing project is a `C++` library you may link to any `C/C++` code for the purpose of generating PostScript graphic images of mathematical functions. As a completely free and open-source project, it does all the plotting I would otherwise use a Computer Algebra System (CAS) such as `Mathematica` or `Maple` to do. It should be said that `ePiX` is *not* a Computer Algebra System like `Mathematica` or `Maple`, but merely a mathematical *visualization* tool. In other words, it won't determine integrals for you (you'll have to implement that in your own `C/C++` code!), but it can graph the results, and it does so beautifully. What I really admire about `ePiX` is that it is a `C++` programming library, which means it builds on the existing power and toolset available with that programming language. Mr. Hwang could have probably developed his own stand-alone application for mathematical plotting, but by creating a `C++` library to do the same thing he accomplished something much greater.



### gnuplot mathematical visualization software

Another open-source tool for mathematical visualization is `gnuplot`. Interestingly, this tool is *not* part of Richard Stallman’s GNU project, its name being a coincidence. For this reason the authors prefer “gnu” *not* be capitalized at all to avoid confusion. This is a much “lighter-weight” alternative to a spreadsheet for plotting tabular data, and the fact that it easily outputs directly to an X11 console or a file in a number of different graphical formats (including PostScript) is very helpful. I typically set my `gnuplot` output format to default (X11 on my Linux PC) for quick viewing while I’m developing a visualization, then switch to PostScript file export once the visual is ready to include in the document(s) I’m writing. As with my use of `Gimp` to do rudimentary image editing, my use of `gnuplot` only scratches the surface of its capabilities, but the important points are that it’s *free* and that it *works well*.

### Python programming language

Both Python and C++ find extensive use in these modules as instructional aids and exercises, but I’m listing Python here as a *tool* for myself because I use it almost daily as a *calculator*. If you open a Python interpreter console and type `from math import *` you can type mathematical expressions and have it return results just as you would on a hand calculator. Complex-number (i.e. *phasor*) arithmetic is similarly supported if you include the complex-math library (`from cmath import *`). Examples of this are shown in the Programming References chapter (if included) in each module. Of course, being a fully-featured programming language, Python also supports conditionals, loops, and other structures useful for calculation of quantities. Also, running in a console environment where all entries and returned values show as text in a chronologically-ordered list makes it easy to copy-and-paste those calculations to document exactly how they were performed.

# Appendix D

## Creative Commons License

### Creative Commons Attribution 4.0 International Public License

By exercising the Licensed Rights (defined below), You accept and agree to be bound by the terms and conditions of this Creative Commons Attribution 4.0 International Public License (“Public License”). To the extent this Public License may be interpreted as a contract, You are granted the Licensed Rights in consideration of Your acceptance of these terms and conditions, and the Licensor grants You such rights in consideration of benefits the Licensor receives from making the Licensed Material available under these terms and conditions.

#### Section 1 – Definitions.

a. **Adapted Material** means material subject to Copyright and Similar Rights that is derived from or based upon the Licensed Material and in which the Licensed Material is translated, altered, arranged, transformed, or otherwise modified in a manner requiring permission under the Copyright and Similar Rights held by the Licensor. For purposes of this Public License, where the Licensed Material is a musical work, performance, or sound recording, Adapted Material is always produced where the Licensed Material is synched in timed relation with a moving image.

b. **Adapter’s License** means the license You apply to Your Copyright and Similar Rights in Your contributions to Adapted Material in accordance with the terms and conditions of this Public License.

c. **Copyright and Similar Rights** means copyright and/or similar rights closely related to copyright including, without limitation, performance, broadcast, sound recording, and Sui Generis Database Rights, without regard to how the rights are labeled or categorized. For purposes of this Public License, the rights specified in Section 2(b)(1)-(2) are not Copyright and Similar Rights.

d. **Effective Technological Measures** means those measures that, in the absence of proper authority, may not be circumvented under laws fulfilling obligations under Article 11 of the WIPO Copyright Treaty adopted on December 20, 1996, and/or similar international agreements.

e. **Exceptions and Limitations** means fair use, fair dealing, and/or any other exception or

limitation to Copyright and Similar Rights that applies to Your use of the Licensed Material.

f. **Licensed Material** means the artistic or literary work, database, or other material to which the Licensor applied this Public License.

g. **Licensed Rights** means the rights granted to You subject to the terms and conditions of this Public License, which are limited to all Copyright and Similar Rights that apply to Your use of the Licensed Material and that the Licensor has authority to license.

h. **Licensor** means the individual(s) or entity(ies) granting rights under this Public License.

i. **Share** means to provide material to the public by any means or process that requires permission under the Licensed Rights, such as reproduction, public display, public performance, distribution, dissemination, communication, or importation, and to make material available to the public including in ways that members of the public may access the material from a place and at a time individually chosen by them.

j. **Sui Generis Database Rights** means rights other than copyright resulting from Directive 96/9/EC of the European Parliament and of the Council of 11 March 1996 on the legal protection of databases, as amended and/or succeeded, as well as other essentially equivalent rights anywhere in the world.

k. **You** means the individual or entity exercising the Licensed Rights under this Public License. **Your** has a corresponding meaning.

## Section 2 – Scope.

a. License grant.

1. Subject to the terms and conditions of this Public License, the Licensor hereby grants You a worldwide, royalty-free, non-sublicensable, non-exclusive, irrevocable license to exercise the Licensed Rights in the Licensed Material to:

A. reproduce and Share the Licensed Material, in whole or in part; and

B. produce, reproduce, and Share Adapted Material.

2. Exceptions and Limitations. For the avoidance of doubt, where Exceptions and Limitations apply to Your use, this Public License does not apply, and You do not need to comply with its terms and conditions.

3. Term. The term of this Public License is specified in Section 6(a).

4. Media and formats; technical modifications allowed. The Licensor authorizes You to exercise the Licensed Rights in all media and formats whether now known or hereafter created, and to make technical modifications necessary to do so. The Licensor waives and/or agrees not to assert any right or authority to forbid You from making technical modifications necessary to exercise the Licensed Rights, including technical modifications necessary to circumvent Effective Technological Measures.

For purposes of this Public License, simply making modifications authorized by this Section 2(a)(4) never produces Adapted Material.

5. Downstream recipients.

A. Offer from the Licensor – Licensed Material. Every recipient of the Licensed Material automatically receives an offer from the Licensor to exercise the Licensed Rights under the terms and conditions of this Public License.

B. No downstream restrictions. You may not offer or impose any additional or different terms or conditions on, or apply any Effective Technological Measures to, the Licensed Material if doing so restricts exercise of the Licensed Rights by any recipient of the Licensed Material.

6. No endorsement. Nothing in this Public License constitutes or may be construed as permission to assert or imply that You are, or that Your use of the Licensed Material is, connected with, or sponsored, endorsed, or granted official status by, the Licensor or others designated to receive attribution as provided in Section 3(a)(1)(A)(i).

b. Other rights.

1. Moral rights, such as the right of integrity, are not licensed under this Public License, nor are publicity, privacy, and/or other similar personality rights; however, to the extent possible, the Licensor waives and/or agrees not to assert any such rights held by the Licensor to the limited extent necessary to allow You to exercise the Licensed Rights, but not otherwise.

2. Patent and trademark rights are not licensed under this Public License.

3. To the extent possible, the Licensor waives any right to collect royalties from You for the exercise of the Licensed Rights, whether directly or through a collecting society under any voluntary or waivable statutory or compulsory licensing scheme. In all other cases the Licensor expressly reserves any right to collect such royalties.

**Section 3 – License Conditions.**

Your exercise of the Licensed Rights is expressly made subject to the following conditions.

a. Attribution.

1. If You Share the Licensed Material (including in modified form), You must:

A. retain the following if it is supplied by the Licensor with the Licensed Material:

i. identification of the creator(s) of the Licensed Material and any others designated to receive attribution, in any reasonable manner requested by the Licensor (including by pseudonym if designated);

ii. a copyright notice;

- iii. a notice that refers to this Public License;
- iv. a notice that refers to the disclaimer of warranties;
- v. a URI or hyperlink to the Licensed Material to the extent reasonably practicable;

B. indicate if You modified the Licensed Material and retain an indication of any previous modifications; and

C. indicate the Licensed Material is licensed under this Public License, and include the text of, or the URI or hyperlink to, this Public License.

2. You may satisfy the conditions in Section 3(a)(1) in any reasonable manner based on the medium, means, and context in which You Share the Licensed Material. For example, it may be reasonable to satisfy the conditions by providing a URI or hyperlink to a resource that includes the required information.

3. If requested by the Licensor, You must remove any of the information required by Section 3(a)(1)(A) to the extent reasonably practicable.

4. If You Share Adapted Material You produce, the Adapter's License You apply must not prevent recipients of the Adapted Material from complying with this Public License.

#### **Section 4 – Sui Generis Database Rights.**

Where the Licensed Rights include Sui Generis Database Rights that apply to Your use of the Licensed Material:

- a. for the avoidance of doubt, Section 2(a)(1) grants You the right to extract, reuse, reproduce, and Share all or a substantial portion of the contents of the database;
- b. if You include all or a substantial portion of the database contents in a database in which You have Sui Generis Database Rights, then the database in which You have Sui Generis Database Rights (but not its individual contents) is Adapted Material; and
- c. You must comply with the conditions in Section 3(a) if You Share all or a substantial portion of the contents of the database.

For the avoidance of doubt, this Section 4 supplements and does not replace Your obligations under this Public License where the Licensed Rights include other Copyright and Similar Rights.

#### **Section 5 – Disclaimer of Warranties and Limitation of Liability.**

a. Unless otherwise separately undertaken by the Licensor, to the extent possible, the Licensor offers the Licensed Material as-is and as-available, and makes no representations or warranties of any kind concerning the Licensed Material, whether express, implied, statutory, or other. This includes, without limitation, warranties of title, merchantability, fitness for a particular purpose, non-infringement, absence of latent or other defects, accuracy, or the presence or absence of errors,

whether or not known or discoverable. Where disclaimers of warranties are not allowed in full or in part, this disclaimer may not apply to You.

b. To the extent possible, in no event will the Licensor be liable to You on any legal theory (including, without limitation, negligence) or otherwise for any direct, special, indirect, incidental, consequential, punitive, exemplary, or other losses, costs, expenses, or damages arising out of this Public License or use of the Licensed Material, even if the Licensor has been advised of the possibility of such losses, costs, expenses, or damages. Where a limitation of liability is not allowed in full or in part, this limitation may not apply to You.

c. The disclaimer of warranties and limitation of liability provided above shall be interpreted in a manner that, to the extent possible, most closely approximates an absolute disclaimer and waiver of all liability.

#### **Section 6 – Term and Termination.**

a. This Public License applies for the term of the Copyright and Similar Rights licensed here. However, if You fail to comply with this Public License, then Your rights under this Public License terminate automatically.

b. Where Your right to use the Licensed Material has terminated under Section 6(a), it reinstates:

1. automatically as of the date the violation is cured, provided it is cured within 30 days of Your discovery of the violation; or

2. upon express reinstatement by the Licensor.

For the avoidance of doubt, this Section 6(b) does not affect any right the Licensor may have to seek remedies for Your violations of this Public License.

c. For the avoidance of doubt, the Licensor may also offer the Licensed Material under separate terms or conditions or stop distributing the Licensed Material at any time; however, doing so will not terminate this Public License.

d. Sections 1, 5, 6, 7, and 8 survive termination of this Public License.

#### **Section 7 – Other Terms and Conditions.**

a. The Licensor shall not be bound by any additional or different terms or conditions communicated by You unless expressly agreed.

b. Any arrangements, understandings, or agreements regarding the Licensed Material not stated herein are separate from and independent of the terms and conditions of this Public License.

#### **Section 8 – Interpretation.**

a. For the avoidance of doubt, this Public License does not, and shall not be interpreted to, reduce, limit, restrict, or impose conditions on any use of the Licensed Material that could lawfully

be made without permission under this Public License.

b. To the extent possible, if any provision of this Public License is deemed unenforceable, it shall be automatically reformed to the minimum extent necessary to make it enforceable. If the provision cannot be reformed, it shall be severed from this Public License without affecting the enforceability of the remaining terms and conditions.

c. No term or condition of this Public License will be waived and no failure to comply consented to unless expressly agreed to by the Licensor.

d. Nothing in this Public License constitutes or may be interpreted as a limitation upon, or waiver of, any privileges and immunities that apply to the Licensor or You, including from the legal processes of any jurisdiction or authority.

Creative Commons is not a party to its public licenses. Notwithstanding, Creative Commons may elect to apply one of its public licenses to material it publishes and in those instances will be considered the “Licensor.” Except for the limited purpose of indicating that material is shared under a Creative Commons public license or as otherwise permitted by the Creative Commons policies published at [creativecommons.org/policies](https://creativecommons.org/policies), Creative Commons does not authorize the use of the trademark “Creative Commons” or any other trademark or logo of Creative Commons without its prior written consent including, without limitation, in connection with any unauthorized modifications to any of its public licenses or any other arrangements, understandings, or agreements concerning use of licensed material. For the avoidance of doubt, this paragraph does not form part of the public licenses.

Creative Commons may be contacted at [creativecommons.org](https://creativecommons.org).





## Appendix E

## References

Fleming, John Ambrose, *Short Lectures to Electrical Artisans*, London, England, 1886.

Maxwell, James Clerk, *A Treatise on Electricity and Magnetism*, Volume I, Third Edition, Clarendon Press, Oxford, 1904.



# Appendix F

## Version history

This is a list showing all significant additions, corrections, and other edits made to this learning module. Each entry is referenced by calendar date in reverse chronological order (newest version first), which appears on the front cover of every learning module for easy reference. Any contributors to this open-source document are listed here as well.

**2 October 2024** – added another “Challenging concepts” bullet-item to the list in the Introduction chapter.

**27 September 2024** – added a new Quantitative Reasoning question on using a primitive resistance measuring bridge.

**5 September 2024** – divided the Introduction chapter into sections, one with recommendations for students, one with a listing of challenging concepts, and one with recommendations for instructors.

**9 February 2024** – minor edits made to the Tutorial.

**30 March 2023** – minor grammatical edit made to the Tutorial.

**27 November 2022** – placed questions at the top of the itemized list in the Introduction chapter prompting students to devise experiments related to the tutorial content.

**1 November 2022** – elaborated more on diodes and transistors in the “Power bridges” section of the Tutorial, for the purpose of foreshadowing these devices for students prior to studying solid-state theory.

**27 September 2022** – added more clarifying references to the Tutorial chapter on “Wheatstone” bridge circuits, as well as more index entries.

**17 February 2022** – minor edits to the Tutorial chapter regarding German silver wire not actually being made of silver, as well as some additional questions in the Introduction chapter.

**7 February 2022** – added a new Challenge question to the “Balancing a resistive bridge”

Quantitative Reasoning problem challenging students to use mental math.

**27-28 September 2021** – added text, illustrations, and photographs showing strain gauges and load cells as applications for resistive bridge circuits. Also divided Tutorial into separate sections. Also added some foundational concept review to the “Balancing a resistive bridge” Quantitative Reasoning question.

**18 February 2021** – added some instructor notes. Also corrected wrong type of quotation marks. Finally, added some missing  $+/-$  symbols in image\_1057.eps.

**6 October 2020** – minor edits to the “Balancing a resistive bridge” Quantitative reasoning question.

**24 September 2020** – added more content to the Introduction chapter.

**6 September 2020** – significantly edited the Introduction chapter to make it more suitable as a pre-study guide and to provide cues useful to instructors leading “inverted” teaching sessions.

**4 September 2020** – corrected date error in the Historical References section on James Clerk Maxwell.

**13 January 2020** – renamed Simplified Tutorial to Tutorial, since I haven’t written a Full Tutorial yet.

**26 August 2019** – added mention of difficult concepts to the Introduction.

**16 June 2019** – minor edits to diagnostic questions, replacing “no multiple faults” with “no coincidental faults”.

**30 May 2019** – corrected typographical error in “Ground-referenced and differential voltage measurements” question.

**25 May 2019** – added more Quantitative Reasoning questions.

**23 May 2019** – added Experiment to built a pencil-trace bridge circuit.

**19 May 2019** – minor typographical error correction (“ad” should have been “and” in the Historical References chapter). Also, added questions and made minor edits to the Simplified Tutorial.

**14 May 2019** – corrected capitalization in one of the problem titles.

**5 November 2018** – retitled Historical References section(s) so as to not be redundant to the “Historical References” chapter.

**September 2018** – document first created.

# Index

- Adding quantities to a qualitative problem, 68
- Annotating diagrams, 67
  
- Breadboard, solderless, 56, 57
- Breadboard, traditional, 59
- Bridge network, 12
- Bridge rectifier, 21
- Bridge, Wheatstone, 14, 19, 24–26
- Brute-force power supply, 21
  
- Capacitor, 21
- Cardio-Pulmonary Resuscitation, 54
- Checking for exceptions, 68
- Checking your work, 68
- Code, computer, 75
- CPR, 54
  
- Dalziel, Charles, 54
- Differential galvanometer, 24
- Differential voltage, 44
- Digital multimeter, 65
- Dimensional analysis, 67
- DIN rail, 57
- Diode, 21
- DIP, 56
- Divider, voltage, 10
- DMM, 65
  
- Edwards, Tim, 76
- Electric shock, 54
- Electrically common points, 55
- Enclosure, electrical, 59
- Equipotential points, 55, 57
- Experiment, 60
- Experimental guidelines, 61
  
- Galvanometer, 24
- Graph values to solve a problem, 68
  
- Greenleaf, Cynthia, 29
- Ground-referenced voltage, 44
  
- How to teach with these modules, 70
- Hwang, Andrew D., 77
  
- IC, 56
- Identify given data, 67
- Identify relevant principles, 67
- Instructions for projects and experiments, 71
- Intermediate results, 67
- Inverted instruction, 70
- Inverter, 22
  
- Knuth, Donald, 76
  
- Lamport, Leslie, 76
- Limiting case, 16
- Limiting cases, 68
- Load cell, 19
  
- Maxwell, James Clerk, 23
- Metacognition, 34
- Moolenaar, Bram, 75
- Multimeter, 65
- Murphy, Lynn, 29
  
- Open, 16
- Open-source, 75
  
- Parallel network properties, 17
- Photocell, 16
- Potential distribution, 57
- Problem-solving: annotate diagrams, 67
- Problem-solving: check for exceptions, 68
- Problem-solving: checking work, 68
- Problem-solving: dimensional analysis, 67
- Problem-solving: graph values, 68

- Problem-solving: identify given data, 67
- Problem-solving: identify relevant principles, 67
- Problem-solving: interpret intermediate results, 67
- Problem-solving: limiting cases, 16, 68
- Problem-solving: qualitative to quantitative, 68
- Problem-solving: quantitative to qualitative, 68
- Problem-solving: reductio ad absurdum, 68
- Problem-solving: simplify the system, 67
- Problem-solving: thought experiment, 61, 67
- Problem-solving: track units of measurement, 67
- Problem-solving: visually represent the system, 67
- Problem-solving: work in reverse, 68
- Project management guidelines, 64
- Properties of parallel networks, 17
- Properties of series networks, 17
  
- Qualitatively approaching a quantitative problem, 68
  
- Ratiometric, 15
- Reading Apprenticeship, 29
- Rectifier, 21
- Reductio ad absurdum, 68–70
  
- Safety, electrical, 54
- Schoenbach, Ruth, 29
- Scientific method, 34, 60
- Scope creep, 64
- Sensor, 16
- Series network properties, 17
- Short, 16
- Shunt resistor, 56
- Simplifying a system, 67
- Socrates, 69
- Socratic dialogue, 70
- Solderless breadboard, 56, 57
- Solid state component, 21
- SPICE, 29, 61
- SPICE netlist, 58
- Stallman, Richard, 75
- Strain gauge, 16, 18
- Subpanel, 59
- Surface mount, 57
  
- Terminal block, 55–59
- Thermistor, 16, 37
- Thought experiment, 61, 67
- Torvalds, Linus, 75
- Transformer, 21
- Transistor, 22
  
- Units of measurement, 67
  
- Visualizing a system, 67
- Voltage divider, 10
- Voltage, differential, 44
- Voltage, ground-referenced, 44
  
- Wheatstone bridge, 14, 19, 24–26
- Wheatstone, Charles, 14
- Wiring sequence, 58
- Work in reverse to solve a problem, 68
- WYSIWYG, 75, 76