

MODULAR ELECTRONICS LEARNING (MODEL) PROJECT



SERIES CIRCUITS AND VOLTAGE DIVIDERS

© 2016-2025 BY TONY R. KUPHALDT – UNDER THE TERMS AND CONDITIONS OF THE
CREATIVE COMMONS ATTRIBUTION 4.0 INTERNATIONAL PUBLIC LICENSE

LAST UPDATE = 31 JANUARY 2025

This is a copyrighted work, but licensed under the Creative Commons Attribution 4.0 International Public License. A copy of this license is found in the last Appendix of this document. Alternatively, you may visit <http://creativecommons.org/licenses/by/4.0/> or send a letter to Creative Commons: 171 Second Street, Suite 300, San Francisco, California, 94105, USA. The terms and conditions of this license allow for free copying, distribution, and/or modification of all licensed works by the general public.

Contents

1	Introduction	3
1.1	Recommendations for students	3
1.2	Challenging concepts related to series circuits	5
1.3	Recommendations for instructors	7
2	Case Tutorial	9
2.1	Example: Battery, lamps, jumper wires, and meters	10
2.2	Example: Three-resistor circuit	13
2.3	Example: Five-resistor circuit	14
2.4	Example: light and temperature sensor circuits	15
2.5	Example: Using potentiometers as voltage dividers	17
3	Simplified Tutorial	19
4	Full Tutorial	25
4.1	Concept review	25
4.2	Series networks	30
4.3	Properties of series networks	33
4.4	Voltage dividers	38
4.5	Potentiometers	40
5	Derivations and Technical References	43
5.1	Metric prefixes	44
5.2	Resistor labeling	48
5.3	Ground in electric and electronic circuits	51
6	Programming References	57
6.1	Programming in C++	58
6.2	Programming in Python	62
6.3	Modeling a series circuit using C++	67
7	Questions	69
7.1	Conceptual reasoning	73
7.1.1	Reading outline and reflections	74
7.1.2	Foundational concepts	75

7.1.3	Identifying series circuits	77
7.1.4	Identifying series points and elements	78
7.1.5	Photovoltaic panels	79
7.1.6	Measuring voltage in a series circuit	81
7.1.7	Series lamp circuit with switches	82
7.1.8	Explaining the meaning of calculations	83
7.2	Quantitative reasoning	85
7.2.1	Miscellaneous physical constants	86
7.2.2	Introduction to spreadsheets	87
7.2.3	Three-battery, one-lamp circuit	90
7.2.4	Leeds & Northrup resistance box design	91
7.2.5	VIRP table for a three-resistor series circuit	94
7.2.6	Solving for a series resistance	95
7.2.7	Series dropping resistor for an LED	96
7.2.8	Electric heater and extension cord	97
7.2.9	Voltage divider circuit	98
7.2.10	Voltage divider built using a Radio Shack 30-in-one kit	99
7.2.11	Interpreting a SPICE analysis	100
7.2.12	Using SPICE to analyze a series circuit	102
7.3	Diagnostic reasoning	103
7.3.1	Interpreting a voltmeter measurement	104
7.3.2	Faults in a three-resistor circuit	105
7.3.3	Faulted voltage divider	106
7.3.4	Malfunctioning oven	108
8	Projects and Experiments	111
8.1	Recommended practices	111
8.1.1	Safety first!	112
8.1.2	Other helpful tips	114
8.1.3	Terminal blocks for circuit construction	115
8.1.4	Conducting experiments	118
8.1.5	Constructing projects	122
8.2	Experiment: pencil-trace series circuit	123
8.3	Experiment: Ohm's Law in a three-resistor series circuit	125
A	Problem-Solving Strategies	127
B	Instructional philosophy	129
C	Tools used	135
D	Creative Commons License	139
E	References	147
F	Version history	149

CONTENTS

1

Index

152

Chapter 1

Introduction

1.1 Recommendations for students

This module explores the principles and properties of *series* electric circuits. You will note that the Full Tutorial begins with several pages of review from previous modules, on such topics as voltage, current, resistance, and simple circuit behavior. You may also note that this same review appears in other module Full Tutorial sections as well, and that it is no accident. In my experience teaching electric circuit theory to hundreds of students, I have found that a poor grasp of fundamentals leads to major conceptual problems later, and that the “basics” are *always* good to review.

Important concepts related to series circuits include **Conservation of Energy**, **Conservation of Electric Charge**, **voltage**, **current**, **resistance**, electric **circuit**, **electrically common points**, **equipotential points**, voltage **polarity**, **sources** versus **loads**, **Ohm’s Law**, **Joule’s Law**, **ammeters**, **fuses**, **voltage divider** networks, **loaded** versus **unloaded** networks, and **potentiometers**.

A very important problem-solving strategy applied throughout the Tutorials is that of *annotating diagrams* with labels showing voltages, polarities, and currents (with direction). Mapping calculated values onto these diagrams is a helpful way to avoid confusion and to maintain proper context for all the quantities. Another important point about problem-solving is the need for *patience*, and the willingness to proceed with calculations even if the final strategy for solving the problem eludes one’s immediate grasp.

When reading any mathematically-based presentation, a useful habit for effective learning is to actually perform the mathematics being shown in the text. Don’t just passively read what the text tells you and trust that the math works – try the math for yourself. Not only will this serve to confirm what you are reading, but it is also an excellent way to practice those mathematical techniques.

Here are some good questions to ask of yourself while studying this subject:

- How might an experiment be designed and conducted to demonstrate the properties of series electrical networks? What hypotheses (i.e. predictions) might you pose for that experiment, and what result(s) would either support or disprove those hypotheses?

- How does a simple circuit respond to a switch being opened?
- How is a *series* network defined?
- How do sources differ from loads?
- How do individual component voltages relate to total (source) voltage in a series network?
- How do individual component currents relate to total (source) current in a series network?
- How do individual component resistances relate to total resistance in a series network?
- How do individual component power dissipations relate to total (source) power dissipation in a series network?
- Which conservation laws apply to series networks?
- How do the properties of series networks result from more fundamental principles of electricity?
- How do the properties of series networks relate to electrical safety?
- How exactly does a fuse work to protect a circuit from harm?
- What happens when multiple voltage sources are connected in series with each other?
- How do we properly connect an ammeter to measure the current for any particular component in a circuit?
- What is the fundamental definition of a *Volt* of electrical potential?
- How would you describe the meaning of Ohm's Law, in your own words?
- How would you describe the meaning of Joule's Law, in your own words?
- What does it mean to apply Ohm's Law (and other formulae) *in context* when analyzing a circuit?
- What are some practical applications of voltage dividers?
- What happens when we "load" a voltage divider?
- How does a potentiometer function?

1.2 Challenging concepts related to series circuits

The following list cites concepts related to this module's topic that are easily misunderstood, along with suggestions for properly understanding them:

- **Defining a series network** – series networks are defined by having a single path for current between the components. From this definition, and from the Conservation of Electric Charge, follows the conclusion that series-connected components must experience the same amount of continuous current. One challenge is that sometimes series-connected components do not physically or pictorially align to suggest a single path, even though they have but one *electrical* path for current. Another challenge is reasoning logically from this definition of “one path” to the necessary conclusion of “same current”, as many students are so accustomed to memorizing facts without seeing the logical connections between those facts.
- **Using Ohm's Law in context.** When applying Ohm's Law ($V = IR$; $I = \frac{V}{R}$; $R = \frac{V}{I}$) to circuits containing multiple resistances, students new to circuit analysis often mix contexts of voltage, current, and resistance. That is, students often mis-apply parameters where they do not belong in a circuit. Whenever applying any equation describing a physical phenomenon, it is important to ensure each variable of that equation relates to the proper real-life value within the problem. For example, when calculating the voltage drop across resistor R_2 , one must be sure that the values for current and resistance are appropriate for that resistor and not some other resistor in the circuit. When calculating V_{R_2} using the Ohm's Law equation $V = IR$, one must use the value of *that resistor's* current (I_{R_2}) and *that resistor's* resistance (R_2), not some other current and/or resistance value(s). Some students have an unfortunate tendency to overlook context when seeking values to substitute in place of variables in Ohm's Law problems, and this leads to incorrect results.
- **Voltage being relative between two points** – unlike current, which may be measured at a single point in a circuit, voltage is fundamentally relative: it only exists as a *difference* between two points. In other words, there is no such thing as voltage existing at a single location. Therefore, while we speak of current going *through* a component in a circuit, we speak of voltage being *across* a component, measured between two terminals on that component. An effective strategy for combating this misconception is to continually apply the correct definition for voltage: *the amount of energy difference between an electric charge carrier at one location versus an identical electric charge carrier at another location.* This concept also reinforces (and is reinforced by) the concept of electric circuit components behaving as sources (infusing charge carriers with energy) or loads (depleting charge carriers of energy).
- **Schematic annotation as a problem-solving tool** – as an instructor you will find most students new to the study of electronics attempt to solve circuit-analysis problems by inspection, or by plugging given values into familiar equations until something resembling an answer emerges. Such efforts are usually fruitless because it is difficult to track the real-world context of every circuit parameter doing things this way. You will need to demonstrate, encourage, and at times *require* your students to apply the alternative strategy of first sketching a schematic diagram of the circuit and then annotating it with all known values. Once the given information gains context through this annotation, appropriate principles (e.g. Ohm's Law, KVL, KCL) are much easier to identify and then properly apply for that circuit. Then,

as calculated values get annotated on the same schematic diagram the next logical steps to follow become easier and easier to identify. I recommend using different colors to label different parameters (e.g. blue for voltage, red for current, black for component values, green for power). Students should have blank “scratch” paper and writing instruments with them at all times, even during discussions, so as to neatly organize information and to articulate and focus their thoughts!

A useful resource for practicing circuit analysis is the *Case Tutorial* chapter, containing example circuits with voltage and current values provided to check your work.

1.3 Recommendations for instructors

This section lists realistic student learning outcomes supported by the content of the module as well as suggested means of assessing (measuring) student learning. The outcomes state what learners should be able to do, and the assessments are specific challenges to prove students have learned.

- **Outcome** – Demonstrate effective technical reading and writing
 - Assessment – Students present their outlines of this module’s instructional chapters (e.g. Case Tutorial, Tutorial, Historical References, etc.) ideally as an entry to a larger Journal document chronicling their learning. These outlines should exhibit good-faith effort at summarizing major concepts explained in the text.
 - Assessment – Students show how all quantitative results were obtained by the author in the Tutorial chapter’s series circuit analysis examples.

- **Outcome** – Calculate voltage, current, and power values within series circuits
 - Assessment – Predict all component voltages, currents, and power dissipations in a series circuit given resistor values and source value; e.g. pose problems in the form of the “VIRP table for a three-resistor series circuit” Quantitative Reasoning question.

- **Outcome** – Apply the concept of voltage division to series resistor network design
 - Assessment – Calculate voltage division ratios for any given series resistor network.
 - Assessment – Predict necessary resistor values in order to achieve specified voltage division ratios.

- **Outcome** – Prove the concept of resistive voltage division by experiment
 - Assessment – Design, build, and test a voltage divider network to achieve a specified voltage division ratio.
 - Assessment – Design, build, and test voltage divider networks using a combination of potentiometer and fixed resistor(s) to limit the adjustment range; e.g. conduct an experiment similar to that shown in the “Example: Using potentiometers as voltage dividers” Case Tutorial section.

- **Outcome** – Diagnose a faulted series circuit
 - Assessment – Predict the effect(s) of a single component failing either open or shorted in a series circuit; e.g. pose problems in the form of the “Faults in a three-resistor circuit” Diagnostic Reasoning question.
 - Assessment – Determine the probability of various component faults in a series circuit given symptoms and measured values; e.g. pose problems in the form of the “Faulted voltage divider” Diagnostic Reasoning question.

- **Outcome** – Independent research

Assessment – Locate voltage-divider resistor network datasheets and properly interpret some of the information contained in those documents including resistance values, voltage division ratio, temperature coefficient, ratio stability, etc.

Assessment – Locate potentiometer datasheets and properly interpret some of the information contained in those documents including maximum resistance values, linear versus audio taper, number of turns (for rotary pots), maximum power dissipation ratings, etc.

The study of series circuits presents a prime opportunity to discipline students' thinking according to first principles of electricity. A very common tendency among students is to rote-memorize rules for analyzing circuits rather than reason logically from trusted principles. A good way to encourage and reinforce sound reasoning is to have students maintain a list of all the important laws, principles, and problem-solving strategies they learn about electric circuits, and to intentionally reference this list every time they analyze a circuit. At each step in the analysis of a given circuit, ask students to explain *why* they should apply each law or principle in turn!

Chapter 2

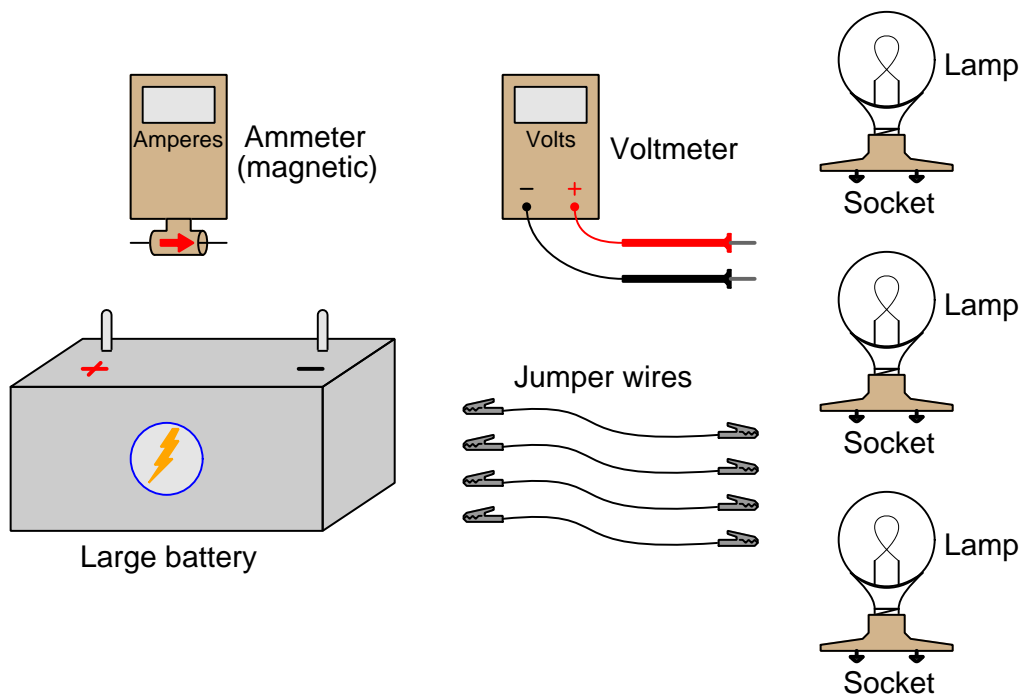
Case Tutorial

The idea behind a *Case Tutorial* is to explore new concepts by way of example. In this chapter you will read less presentation of theory compared to other Tutorial chapters, but by close observation and comparison of the given examples be able to discern patterns and principles much the same way as a scientific experimenter. Hopefully you will find these cases illuminating, and a good supplement to text-based tutorials.

These examples also serve well as challenges following your reading of the other Tutorial(s) in this module – can you explain *why* the circuits behave as they do?

2.1 Example: Battery, lamps, jumper wires, and meters

Here, a large 12 Volt battery and three 12 Volt-rated lamps are provided for experimentation, along with “jumper” wires consisting of plastic-clad stranded copper conductors terminated with spring-loaded “alligator” clip jaws at either end. A simple voltmeter and magnetic ammeter stand ready to take measurements:



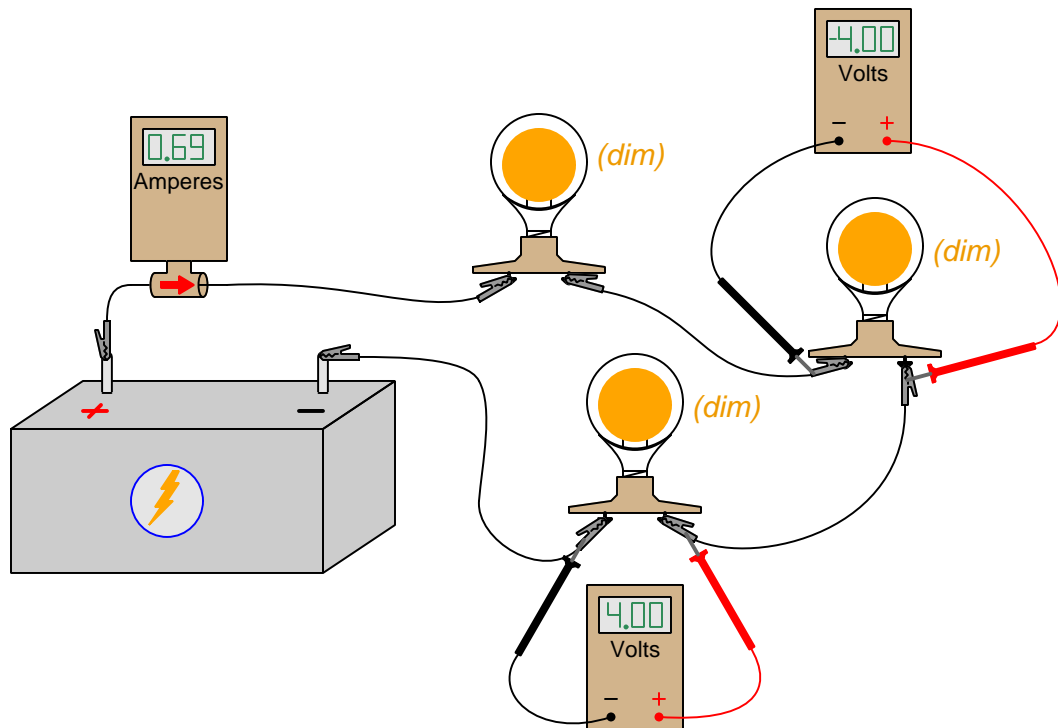
Current is defined as the motion of subatomic “electric charge carriers” existing throughout the bulk of electrically conductive materials such as copper metal. The standard metric unit of measurement for electric current is the *Ampere*, with one Ampere (1 A) being equivalent to 6.2415×10^{18} individual charge carriers drifting past a given location per second of time. The ammeter we will use senses electric current by the magnetic field produced around a current-carrying conductor. A positive indication on the ammeter’s display means charge carriers are moving (as interpreted by the “conventional flow” standard) in the direction of the meter’s arrow; a negative indication means motion in the opposite direction.

Voltage is defined as the amount of energy either gained or lost by an electric charge carrier between two different locations. The standard metric unit of measurement for voltage is the *Volt*, with one Volt (1 V) being equivalent to one Joule of energy difference per 6.2415×10^{18} individual charge carriers. The voltmeter we will use has two copper-wire *test leads* that are touched to the two locations of interest. The red test lead is the “measurement” lead while the black test lead is the “reference” lead. A positive indication on the voltmeter’s display means charge carriers along

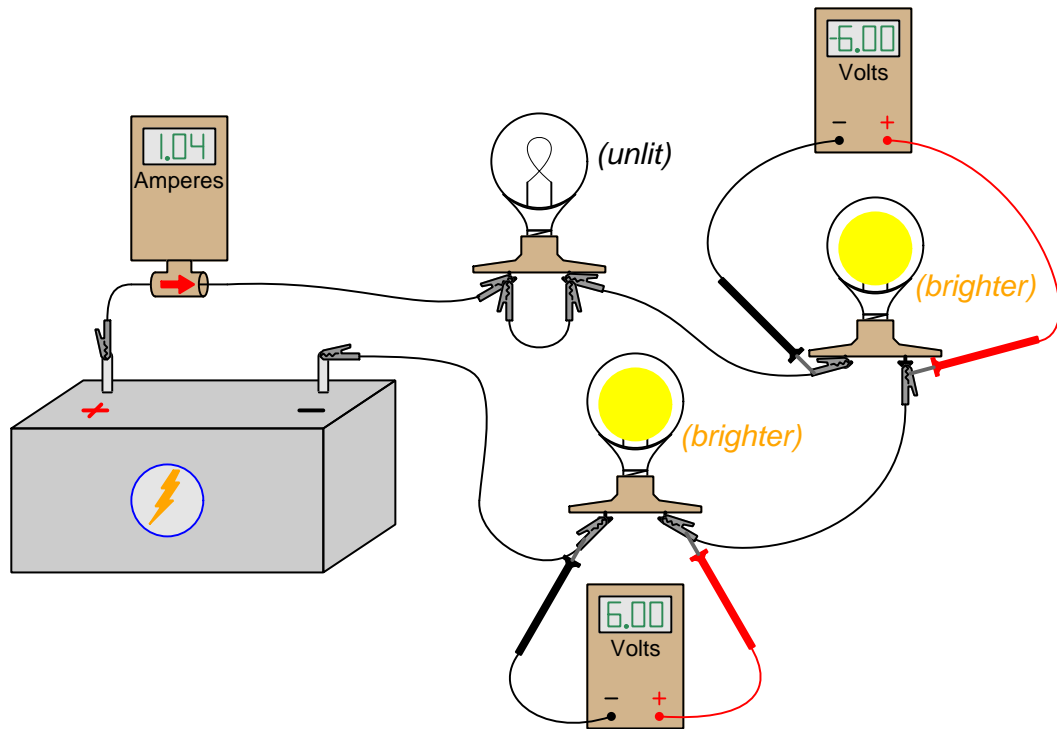
the red lead are at a higher state of energy than charge carriers along the black lead; a negative indication means the opposite.

Resistance converts some of the energy conveyed by moving electric charge carriers into other forms, most commonly heat. The standard metric unit of measurement for resistance is the *Ohm*, with one Ohm (1Ω) being equivalent to one Volt of “drop” while carrying one Ampere of current.

Connecting the three lamps in *series* with each other results in each lamp glowing much dimmer than it ordinarily would if connected to the battery by itself. The measured current in the circuit is also less than expected for a single lamp, and each lamp drops one-third of the battery’s 12 Volts:



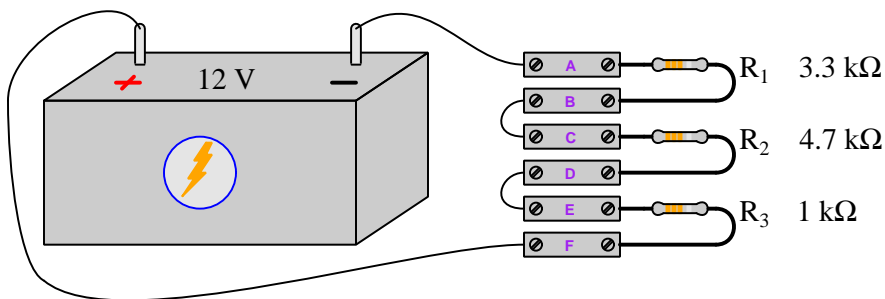
If we *short* past one of the lamps, it stops glowing altogether and the other two lamps glow brighter than before, but still not as bright as if just one lamp were connected directly to the battery:



We also notice the circuit's current increases from before, and the two energized lamps each drop one-half (rather than one-third) of the battery's voltage.

2.2 Example: Three-resistor circuit

In this scenario we will use *terminal blocks* to neatly organize all wire connections between a battery and three resistors:



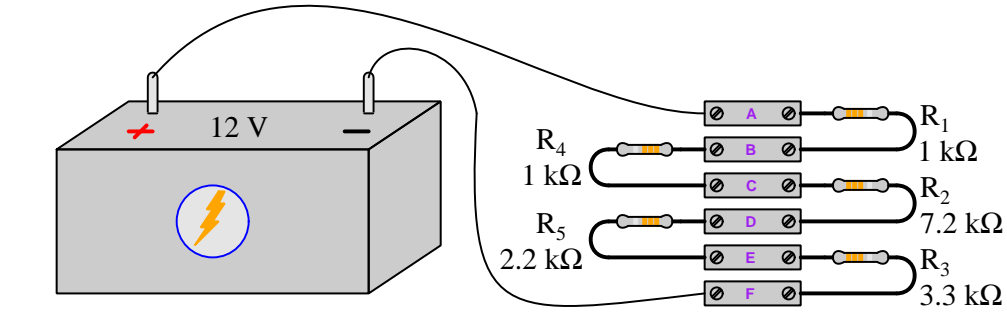
Rather than visually show the placement of test equipment in the diagram, measurements will be documented in text form as V and I values¹. With the circuit constructed as shown in the above illustration, we obtain the following measurements:

- $V_{AB} = -4.40$ Volts
- $V_{CA} = 4.40$ Volts
- $V_{ED} = 0.00$ Volts
- $V_{DB} = 6.27$ Volts
- $V_{BF} = -7.60$ Volts
- $V_{FD} = 1.33$ Volts
- $V_{FE} = 1.33$ Volts
- $I_C = 1.33$ milliAmperes (conventional flow right to left)
- $I_F = 1.33$ milliAmperes (conventional flow left to right)

¹Double-lettered subscripts for V denote the placement of voltmeter test leads, with the first and second letters always representing the red and black test leads respectively. For example, V_{BC} means the voltage measured between terminals B and C with the red test lead touching B and the black test lead touching C. Single-lettered subscripts for V represent the voltmeter's red test lead, with the black test lead touching a defined "ground" point in the circuit. Current measurements (I) imply measurements made at a single location, and so there will only ever be single-lettered subscripts for I . Conventional flow notation will be used to specify current direction.

2.3 Example: Five-resistor circuit

In this scenario we will use *terminal blocks* to neatly organize all wire connections between a battery and five resistors:



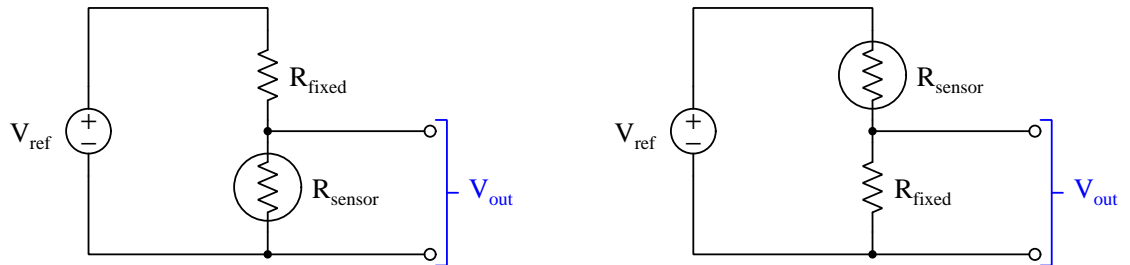
Rather than visually show the placement of test equipment in the diagram, measurements will be documented in text form as V and I values². With the circuit constructed as shown in the above illustration, we obtain the following measurements:

- $V_{FE} = -2.69$ Volts
- $V_{ED} = -1.80$ Volts
- $V_{DC} = -5.88$ Volts
- $V_{CB} = -0.82$ Volts
- $V_{BA} = -0.82$ Volts
- $V_{AF} = 12.00$ Volts
- $I_A = 0.82$ milliAmperes (conventional flow left to right)
- $I_C = 0.82$ milliAmperes (conventional flow left to right)
- $I_F = 0.82$ milliAmperes (conventional flow right to left)

²Double-lettered subscripts for V denote the placement of voltmeter test leads, with the first and second letters always representing the red and black test leads respectively. For example, V_{BC} means the voltage measured between terminals B and C with the red test lead touching B and the black test lead touching C. Single-lettered subscripts for V represent the voltmeter's red test lead, with the black test lead touching a defined "ground" point in the circuit. Current measurements (I) imply measurements made at a single location, and so there will only ever be single-lettered subscripts for I . Conventional flow notation will be used to specify current direction.

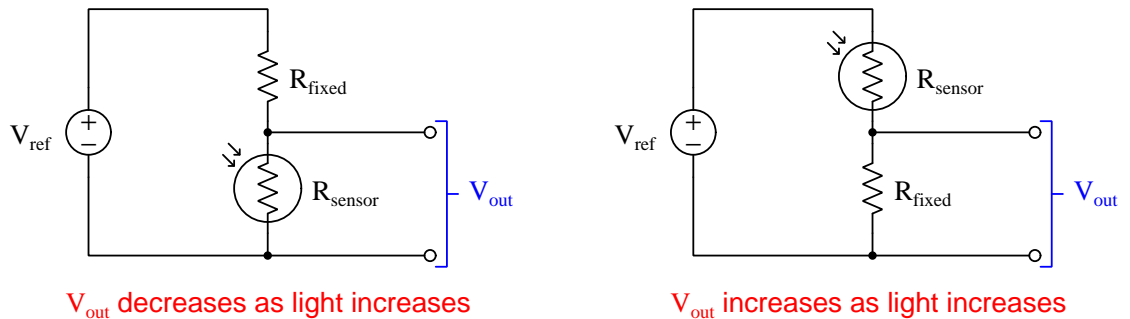
2.4 Example: light and temperature sensor circuits

Voltage divider networks may serve to convert a resistively-sensed quantity into a variable voltage which may be measured by a voltmeter or computer equipped with an analog-to-digital converter. The basic concept is that a resistive (“rheometric”) sensor of some type is connected in series with a fixed-value resistor to form a voltage divider, the output of that voltage divider varying as the sensed quantity varies:

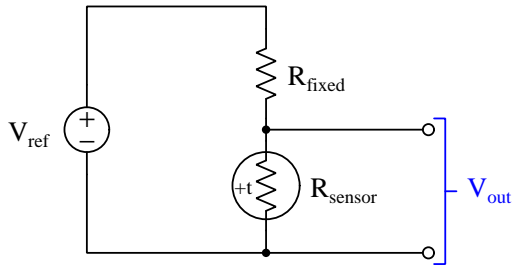


The choice to locate the rheometric sensor as the upper or lower resistor in the voltage divider network depends on whether we want the output voltage (V_{out}) to increase or decrease as the sensed quantity increases, and also on whether the sensor’s resistance increases or decreases as the sensed quantity increases.

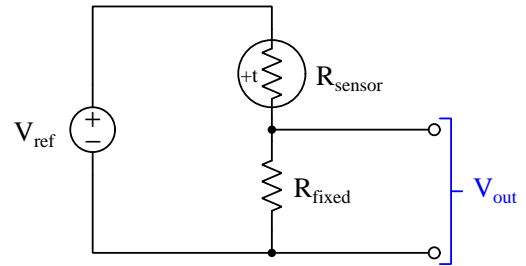
Take for example a *photocell*, which is a device using the chemical compound cadmium sulfide (CdS) as a rheometric light-sensing element. As additional light strikes the CdS material its electrical resistance decreases. Locating the photocell above or below the fixed resistor changes the circuit’s behavior:



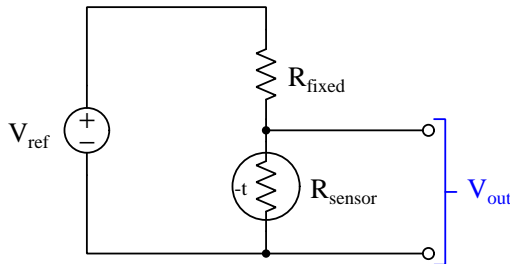
Another type of rheometric (resistance-based) sensor is called a *thermistor*, whose resistance varies with temperature. Thermistors are manufactured in two basic types, having either *positive* or *negative* temperature coefficients (PTC or NTC). These coefficients refer to whether the thermistor's resistance increases or decreases with increased temperature, respectively:



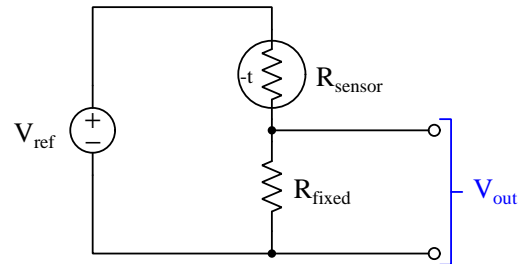
V_{out} increases as temperature increases



V_{out} decreases as temperature increases



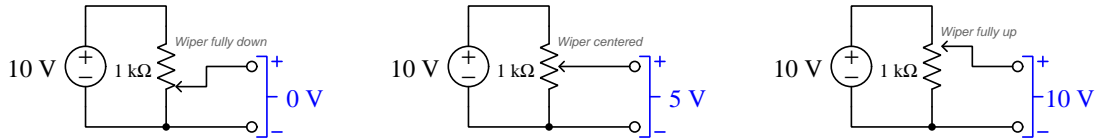
V_{out} decreases as temperature increases



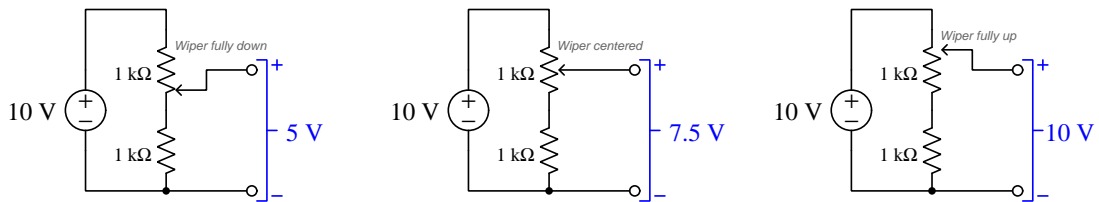
V_{out} increases as temperature increases

2.5 Example: Using potentiometers as voltage dividers

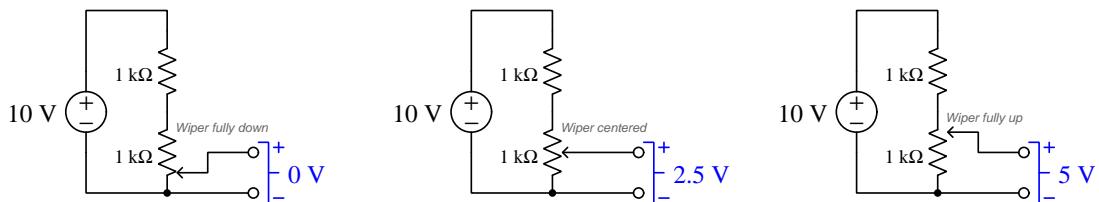
1 kiloOhm potentiometer alone with a 10-Volt source:



1 kiloOhm potentiometer in series above a 1 kiloOhm resistor, with a 10-Volt source:



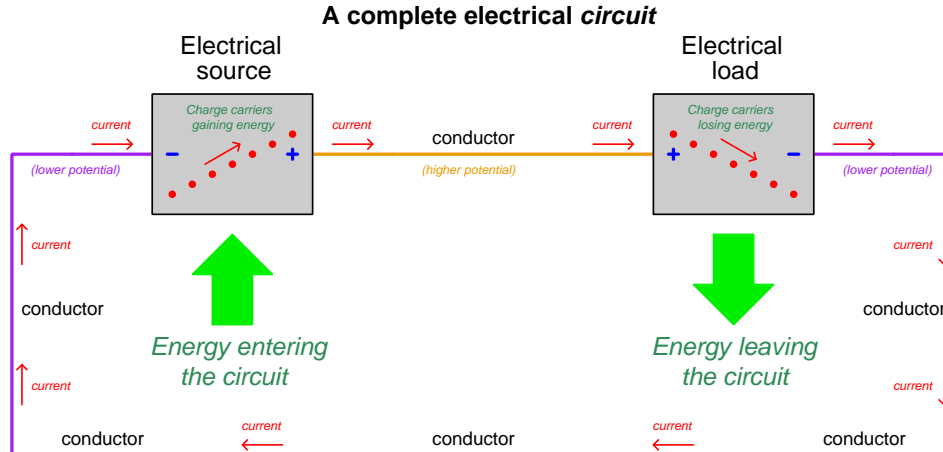
1 kiloOhm potentiometer in series below a 1 kiloOhm resistor, with a 10-Volt source:



Chapter 3

Simplified Tutorial

An electric *circuit* is a closed loop formed of electrically-conductive material for electric charge carriers to travel, in which at least one *source* raises the energy level of each charge carrier passing through and at least one *load* extracts energy from each passing charge carrier passing through, the result being that energy is transferred from source to load with electricity as the medium. Note the “+” and “-” symbols used to show relative energy states of charges moving in and out of each component. *Voltage* is the amount of energy gained or lost by charge carriers passing between two points, while *current* is the rate of charge carrier motion:



Fluid power systems are analogous to electric circuits: instead of electric charge carriers flowing through conductors, there is fluid flowing through pipes. A *pump* functions as an energy source by boosting the energy levels of fluid molecules with pressure, and an *actuator* or *fluid motor* functions as a load by allowing the pressurized fluid to do useful mechanical work. *Pressure rise* and *pressure drop* in a fluid power circuit are analogous to voltage in an electric circuit; *fluid flow rate* in a fluid power circuit is analogous to current in an electric circuit. *Resistance* in either type of circuit, is any restriction of flow causing energy to leave the circuit and never return. Power, in either type of circuit, is the rate at which energy transfers.

Switches may be incorporated into a circuit to provide control over the flow of current. An “open” switch prohibits current through it, and so an open switch is able to interrupt current throughout an entire circuit if connected in-line with the other components.

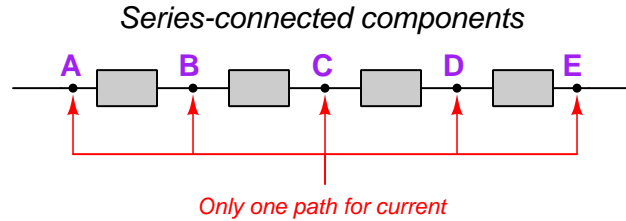
The mathematical relationship between voltage (V) and current (I) for any given resistance (R) is described by *Ohm’s Law*:

$$V = IR \qquad I = \frac{V}{R} \qquad R = \frac{V}{I}$$

Power is mathematically related to voltage, current, and/or resistance by *Joule’s Law*:

$$P = IV \qquad P = \frac{V^2}{R} \qquad P = I^2R$$

Components are said to be connected in *series* when there is only one path for current between them. All series networks exhibit common properties, including **common current**, **additive voltages**, and **additive resistances**.



First, series-connected components experience the same amount of continuous current. This is true because the Conservation of Electric Charge makes it impossible for charges to simply come into being or disappear, and that is what would have to occur for a set of series-connected components to experience different amounts of continuous current.

This property of series networks is exploited whenever we use an *ammeter* to measure current: we must always connect the ammeter in series with the component(s) we wish to measure current through, in order that the meter will experience the exact same current as the component(s). It is also exploited in the location of *fuses*: a “fuse” is a device designed to break open in the event of excessive current. By connecting a fuse in series with the component(s) it is protecting, the fuse is sure to experience the same current as the protected components, and also it is sure to halt current through those same components when it “blows” open.

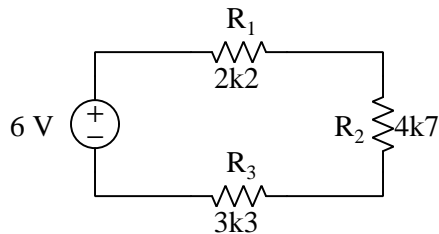
Second, voltage across a set of series-connected components must be the mathematical sum of the individual component voltages. This is true because the Conservation of Energy makes it impossible for energy to simply appear or vanish, and that is what would have to occur for a set of series-connected components to experience a different amount of potential difference across the network than what a charge carrier would accumulate traveling through each of the components in that same network.

Third, resistance along the entire length of a series network must be the mathematical sum of the individual component resistances. This is really just a combination of the first and second properties with Ohm's Law: if all component currents are identical ($I_T = I_1 = I_2 = I_3 \cdots = I_n$) and voltages add ($V_T = V_1 + V_2 + V_3 \cdots + V_n$) and $V = IR$, then $IR_T = IR_1 + IR_2 + IR_3 \cdots + IR_n$. Factoring out I from this equation yields $R_T = R_1 + R_2 + R_3 \cdots + R_n$.

This should also make intuitive sense: if a charge carrier must fight its way through one resistance, then another one after that, etc., the total resistance it faces through the series network should be the sum of all the individual resistances.

Additionally, total power is equal to the sum of the individual component powers. This is true because of the Law of Energy Conservation, and applies to *all* types circuit networks, not just series.

A tactic many students find helpful for managing calculations during series circuit analysis is to draw a *table* listing voltage, current, and resistance as rows, and listing each component as a column, as shown here for the following series circuit:



	R1	R2	R3	Total
V				6 V
I				
R	2200 Ω	4700 Ω	3300 Ω	

Properties of series circuits apply to values in the same *row* of the table, while Ohm's Law applies to values in the same *column* of the table. Any empty cell within a row becomes an obvious cue to apply the appropriate network property, and any empty cell within a column becomes an obvious cue to apply Ohm's Law.

In this example, the clear first step is to apply the property of series resistances adding to make total resistance in the bottom row:

	R1	R2	R3	Total
V				6 V
I				
R	2200 Ω	4700 Ω	3300 Ω	10200 Ω

The next clear step is to apply Ohm's Law in the right-most column, to fill the empty "total current" cell there:

	R1	R2	R3	Total
V				6 V
I				588.24 μA
R	2200 Ω	4700 Ω	3300 Ω	10200 Ω

Now we can apply the property of series currents being equal to the middle row:

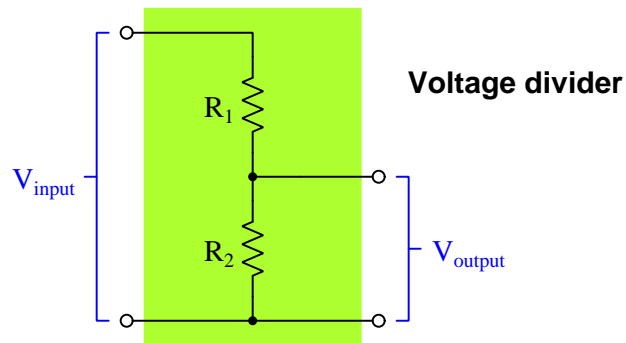
	R1	R2	R3	Total
V				6 V
I	588.24 μA	588.24 μA	588.24 μA	588.24 μA
R	2200 Ω	4700 Ω	3300 Ω	10200 Ω

Lastly, we apply Ohm's Law in each of the three resistors' columns to solve for voltage across each one:

	R1	R2	R3	Total
V	1.2941 V	2.7647 V	1.9412 V	6 V
I	588.24 μA	588.24 μA	588.24 μA	588.24 μA
R	2200 Ω	4700 Ω	3300 Ω	10200 Ω

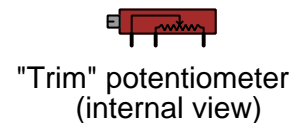
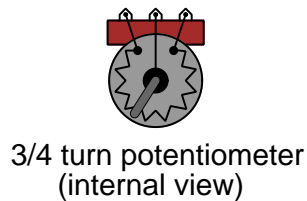
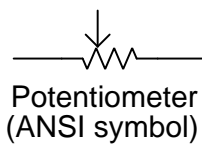
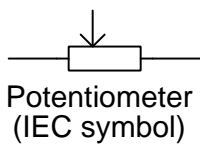
The tabular format even helps us check our work: in this case, we may apply the property of series voltage drops adding up to equal total (source) voltage, checking to see that all the resistors' voltages do indeed add up to the source's 6 Volt total.

Any network of series-connected resistors acts to *divide* the total (source) voltage into fractional portions, each fraction equal to the value of that resistance divided by the total (series network) resistance. This is a very practical use for series resistor networks, reducing an applied voltage by a prescribed ratio:

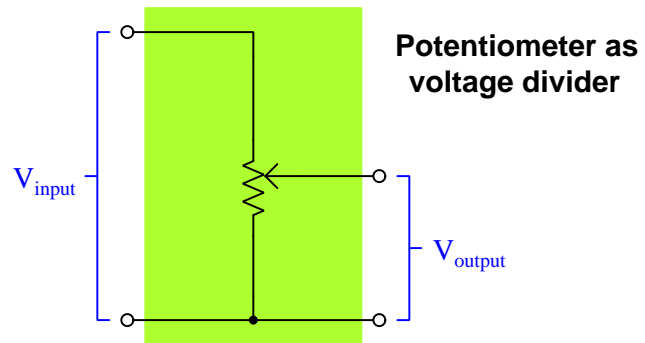


$$V_{output} = V_{input} \left(\frac{R}{R_{total}} \right)$$

A *potentiometer* is an adjustable device intended to provide such a voltage-division ratio in one unit. It has three terminals: two connecting to a source of voltage and the third serving as the adjustable “wiper” picking off the desired fraction of the total in reference to one of the other terminals. Some potentiometers are coarse, having just 3/4 turn from minimum to maximum, while others are designed to be multi-turn for fine precision adjustment:



This schematic diagram shows how a potentiometer may be used as an adjustable voltage divider:



Chapter 4

Full Tutorial

4.1 Concept review

First, a review of some foundational principles.

Energy is the ability to set matter into motion. Energy may take many different forms, but is broadly divided into two categories: *kinetic energy* and *potential energy*. “Kinetic” energy is that exhibited through motion: for example, a moving mass has energy because of its ability to set other matter into motion by collision, and its energy is deemed kinetic because it is moving. “Potential” energy is that which exists without motion: for example, a suspended mass has energy because it may potentially cause motion if allowed to fall, but until it does the energy is regarded as “potential” because it is not being put into action (yet).

An interesting property shared by both mass and energy is *conservation*, which means these quantities cannot be created from nothing nor can they be destroyed (annihilated), but are eternal. Both matter and energy can and do, however, change forms.

Just as any mass experience a force when influenced by a gravitational field, some types of matter possess another property called *electric charge*, which is the ability to experience a force when influenced by an *electric field*. Just as mass is a conserved quantity (i.e. eternal), so is electric charge: it cannot be created or destroyed. Electric charges exist in two different types, called *positive* and *negative*. Examples of electrically charged matter include *electrons* (negative) and *protons* (positive), both subatomic particles found in equal numbers within “electrically balanced” atoms.

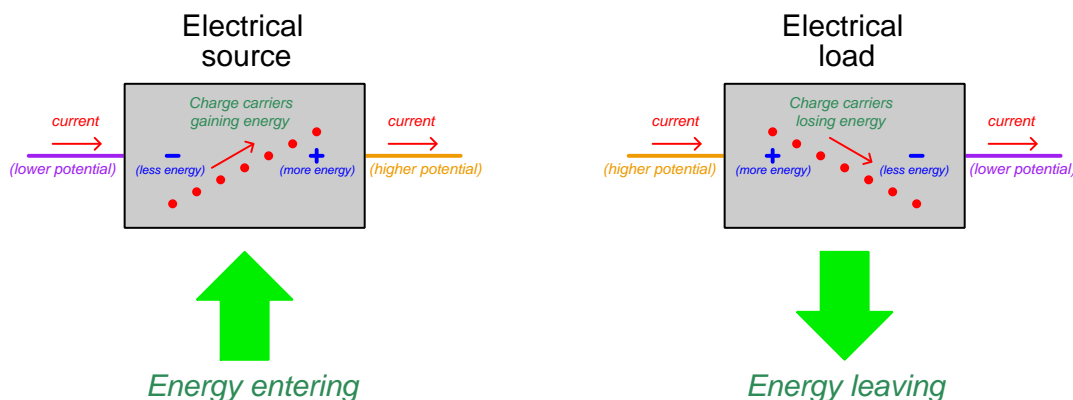
In some forms of matter, electric charges are mobile. Metals, for example, have very loosely-bound electrons which are able to drift through the solid space of the metal object while the remaining portions of the atoms remain bound in place. In some liquids, molecules split into unbalanced atoms called *ions*, some carrying excess electrons (negative charge) and others missing electrons (positive charge), and these ions are free to drift within the liquid. Any mobile electric charges, whether they be single subatomic particles or ions, are generally referred to as *charge carriers*. Substances possessing free charge carriers are called *electrical conductors*, while substances lacking available charge carriers are called *insulators*. The degree of mobility experienced by charge carriers between any two locations is called *electrical resistance*, mathematically symbolized by the variable R and

measured in the unit of the *Ohm* (Ω). A perfect conductor has zero resistance, and a perfect insulator has infinite resistance.

Free charge carriers within conductive substances are constantly moving in random directions, motivated by thermal (heat) energy. If charges are persuaded to move in a particular direction by the presence of an electric field, their net motion is called *current* which is mathematically symbolized by the variable I and measured in the unit of the *Ampere*¹ (A). Since electric charge is a conserved quantity, which means charge carriers cannot simply spring into existence or vanish, the only² way to sustain a continuous motion of charge carriers is to provide a closed loop for those charge carriers to circulate, called a *circuit*.

Electric charges may act as carriers of energy, just as masses may possess either kinetic or potential energy. The amount of potential energy exhibited per electric charge carrier is simply called *electric potential*. Any gain or loss of potential between two locations is referred to as *voltage* or *potential difference*, mathematically symbolized by the variable V or E and measured in the unit of the *Volt* (one Volt defined as one Joule of energy transferred per Coulomb³ of electric charge). A very important feature of voltage, like all forms of potential energy, is that it is relative and not absolute. Just as the potential energy of a suspended weight is quantifiable only between the point of suspension and the point to which it may fall, the amount of potential carried by electric charges is quantifiable only between the location of the charge and another location of different energy, with voltage being the amount of energy per charge either gained or lost between those two points. *There is no such thing as voltage existing at any single point. Voltage only exists between two points, between which charge carriers either gain or lose potential energy.*

If charge carriers gain energy while moving through a device, that device is called a *source*. If charge carriers lose energy while moving through a device, that device is called a *load*:

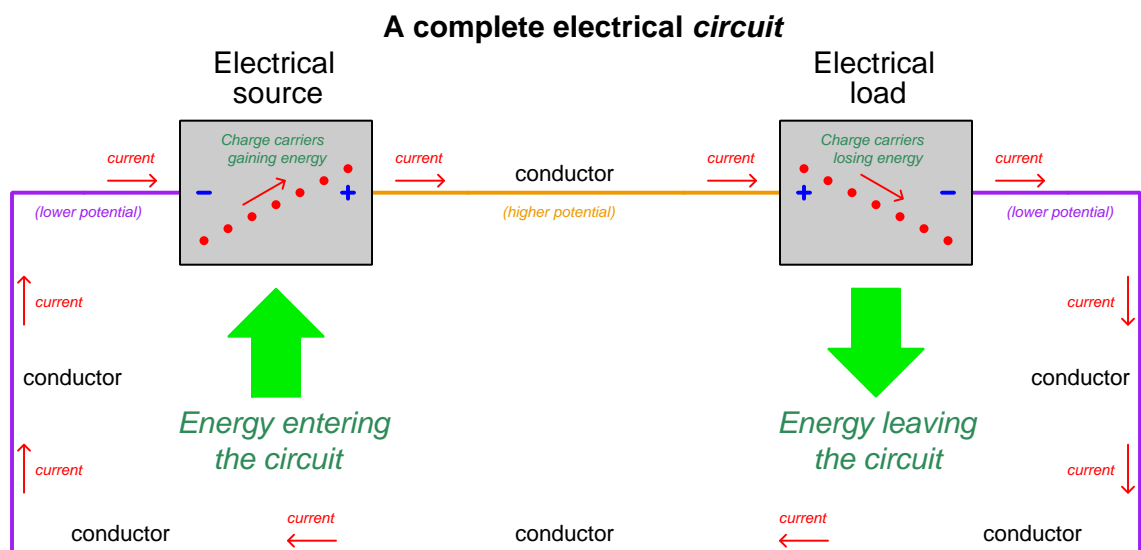


¹One Ampere of electric current is defined as the passing of one Coulomb of electric charge carriers (equivalent to 6.2415×10^{18} electrons) per second of time.

²This concept often causes confusion for students, and so is good to explore in more detail. Try imagining a broken loop with current continuously flowing at all the unbroken points within the loop. What this would inevitably mean is that charge carriers would have to mysteriously vanish where they reach the break, and that other charge carriers would have to mysteriously appear on the other side of the break to enter the circuit. So long as charge carriers are eternal and cannot pass through an insulating (non-conductive) break, it is impossible for a continuous flow to occur in a broken loop.

³A Coulomb of charge is equivalent to 6.2415×10^{18} electrons.

Sources and loads usually appear together in circuits, with charge carriers transporting energy from the source to the load. Energy enters the circuit through the source from the outside (e.g. light, heat, sound, chemical reaction, mechanical, etc.) to boost the charge carriers' energy, those charge carriers travel to the load where they release that energy in some form (e.g. light, heat, sound, chemical reaction, mechanical, etc.), and then the charge carriers circle back to the source for another round. An electrical circuit is analogous to a *fluid power circuit* where energy is transferred by means of a circulating fluid, with a *pump* (source) infusing potential energy into the fluid by means of pressure and an *actuator* or *motor* (load) extracting potential energy from the fluid to do useful work such as lifting an object or moving a machine:

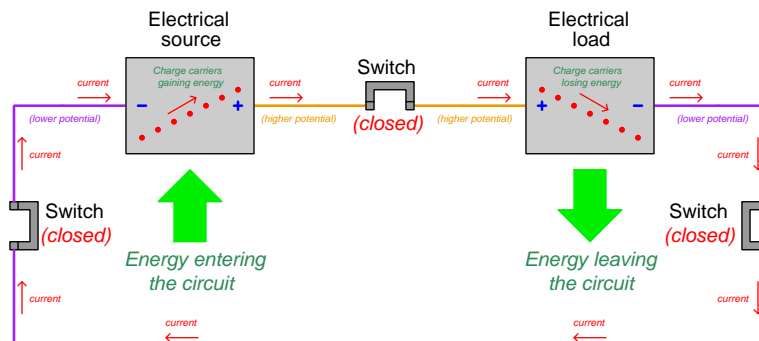


The positive (+) and negative (-) symbols refer to the relative energy levels of charge carriers as they pass through each source and load, and in pairs represents the *polarity* for voltage across each component. These polarity symbols are analogous to “high” and “low” pressure notations for a fluid circuit, revealing the relative pressures of fluid entering and exiting a component. The direction of current shown by the arrows is a convention, based on the assumption that the carriers are all positively charged. This convention for marking the direction of current is used regardless of that actual type(s)⁴ of charge carriers involved, and is called *conventional flow notation*.

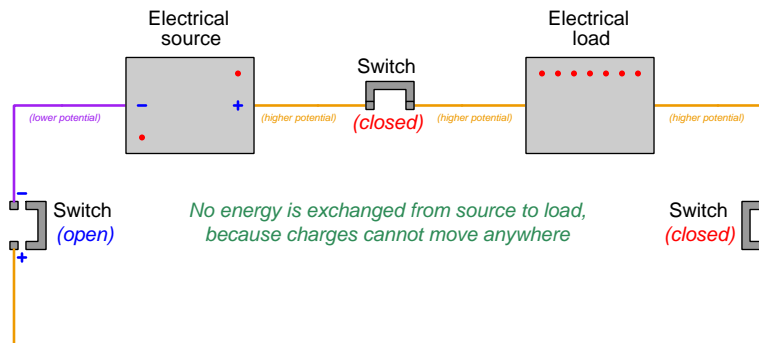
Metal wires, which are very good conductors of electricity (i.e. possess very little resistance R) extract negligible energy from charge carriers flowing through, which explains why the conductors shown in the above diagram have no + or - symbols drawn near. Every point along those metal wires are considered *electrically common* by virtue of their negligible resistance. This forces all charge carriers to be at the same energy level (i.e. *equipotential*) which means there is practically zero voltage between any two points along a good conductor.

⁴In metallic conductors, charge carriers consist of free electrons which are negatively charged and move in the opposite direction from that shown in the illustration. In liquids and ionized gases, charge carriers consist of positive and negative ions with motion in *both* directions (depending on the sign of each carrier's charge). Conventional flow is used as a convenience for representing current through *any* conductor and is not to be taken literally.

Switches are electrical components designed to deliberately establish or sever electrical connections between two or more conductors. Switches are usually designed such that a moving piece of metal either makes or breaks contact with a stationary piece of metal, typically by the actuation of a pushbutton, lever, or some other mechanism. When a switch is positioned to make contact and permit the flow of electric charge carriers through it, it is said to be *closed* or *shorted*. When a switch is positioned to break contact and forbid the flow of current, it is said to be *open*. The following illustration shows a simple circuit with three switches, all closed:



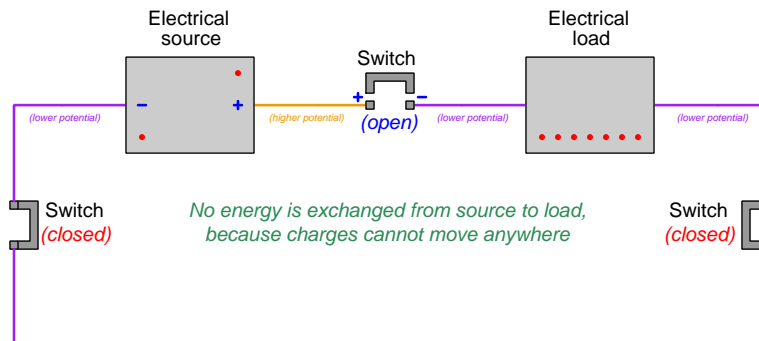
If *any* of these switches is opened, the circuit will become “broken” and current halts throughout. Whichever switch is opened, charge carriers cannot pass through it. This, in turn, immediately ceases the circulation of charge carriers at all points in the circuit due to the Conservation of Charge⁵:



The effect of opening a switch is immediate throughout the circuit: all current ceases, full source voltage appears across the terminals of the open switch, and the load no longer exhibits a voltage across its terminals. All points between the negative pole of the source and the open switch exist at the same low potential, while all points between the positive pole of the source and the open switch exist at the same high potential.

⁵Since charges are eternal and therefore cannot appear from nowhere or disappear into nothingness, the continuous circulation of charge carriers in a circuit demands a complete, unbroken path. If the path becomes broken by an open switch, charge carriers at the “incoming” pole of the switch must stop moving because they cannot vanish at the open air gap of the switch, and charges at the “outgoing” switch pole must also stop moving because no new charge carriers may appear out of the air gap. This situation is analogous to a fluid circuit where the total quantity of fluid is fixed and a valve somewhere shuts off the path of flow: the motion of fluid must stop everywhere in the circuit.

Much the same happens if we open a different switch in this circuit. Current everywhere immediately ceases, and the source's full voltage appears across the terminals of the open switch:



Note how there is a difference between this scenario and the previous one with a different open switch, and that is the absolute energy states of stationary charge carriers within the load. From the perspective of energy transfer, however, this is of no concern. With no charge carriers *moving* through the load, transitioning from high energy to low energy, there is no *potential difference* (i.e. voltage) across the load, and therefore the load receives no energy from the charge carriers.

Voltage (V), current (I), and resistance (R) are proportionately related to one another by a set of formulae called *Ohm's Law*:

$$V = IR \qquad I = \frac{V}{R} \qquad R = \frac{V}{I}$$

Where,

V = Voltage, in Volts (V)

I = Current, in Amperes (A)

R = Resistance, in Ohms (Ω)

The rate at which energy is exchanged from one form to another is called *power*, mathematically symbolized by the variable P and measured in the unit of the Watt⁶ (W). A set of formulae called *Joule's Law* relates power to voltage, current, and resistance:

$$P = IV \qquad P = \frac{V^2}{R} \qquad P = I^2R$$

Where,

P = Power, in Watts (W)

V = Voltage, in Volts (V)

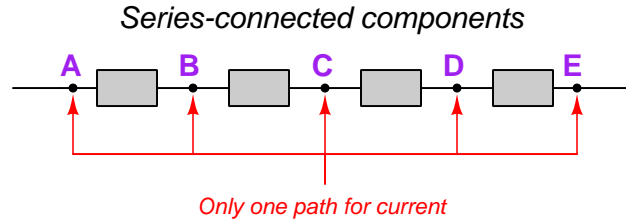
I = Current, in Amperes (A)

R = Resistance, in Ohms (Ω)

⁶One Watt is defined as one Joule of energy transferred per second of time.

4.2 Series networks

Now that we have reviewed some fundamental terms and principles of electric circuits, let us move on to the topic at hand: *series circuits*. A “series” circuit, by definition, is one where all components are connected in-line with each other, such that they all share a single path for charge carriers to flow. The following illustration shows four components (each one represented as a nondescript rectangle) connected in series with each other, with lettered points for reference:



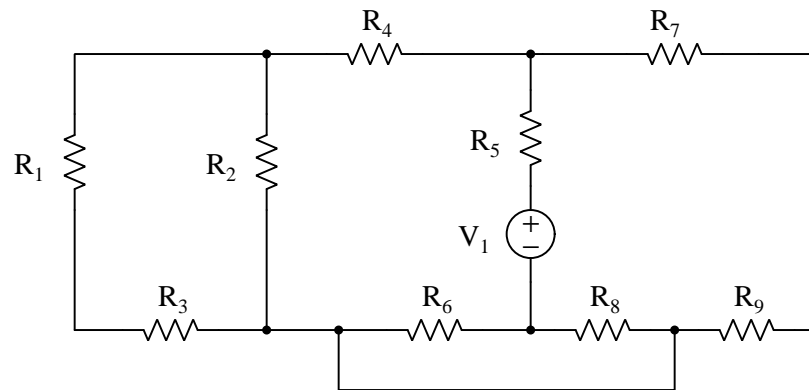
If we were to connect this series string of components in a circuit, and provide a suitable energy source to motivate a continuous current, we would find that the amount of current through each of the four components, and indeed at *any* point throughout the series circuit, was identical. No portion of a series circuit may have less current or more current than any other portion. Referencing the lettered points in the illustration, $I_A = I_B = I_C = I_D$.

The reason for this commonality of current is the nature of electric charge motion in conductors. The Conservation of Electric Charge tells us electric charges cannot be created or destroyed, but are eternal. Another way of stating this Law is to say that all electric charges must be accounted for: none may be lost or gained. In order for a continuous flow of charge carriers to occur, those charge carriers must be recycled in circular fashion which is why we refer to it as a *circuit*. The only way for different amounts of continuous current to exist at different points in a series circuit would be if charges suddenly disappeared or appeared, which the Law of Electric Charge Conservation forbids.

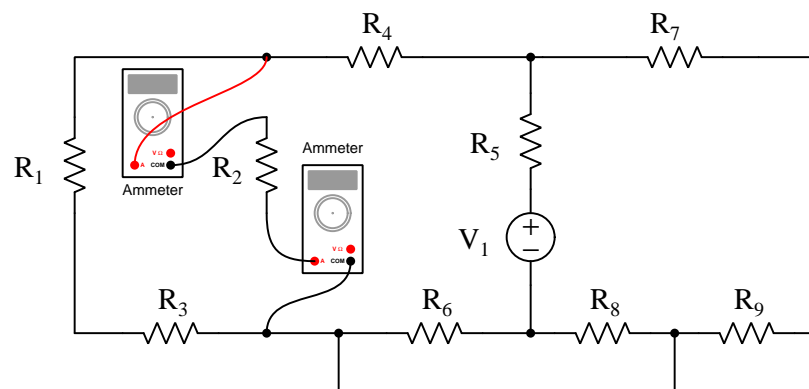
This is the defining characteristic of a series circuit, and the first logical consequence of that characteristic: *all components share one path for current, and as a result all components experience the same amount of current at any given time.*

This simple principle of series circuits (all components experience the same current) has a range of practical applications. One such application is in the use of *ammeters* to measure current. If we know current must be the same through series-connected components, then we may ensure an ammeter intercepts a particular component's current by connecting that ammeter in series with that component.

To see how this principle might be applied, consider the following schematic diagram showing a complex circuit containing nine resistors (R_1 through R_9) and a single voltage source (V_1):



If our task was to measure the amount of current passing through resistor R_2 , there are only two places⁷ we could connect the ammeter to ensure it intercepted that current, and those would be immediately before or immediately after resistor R_2 :



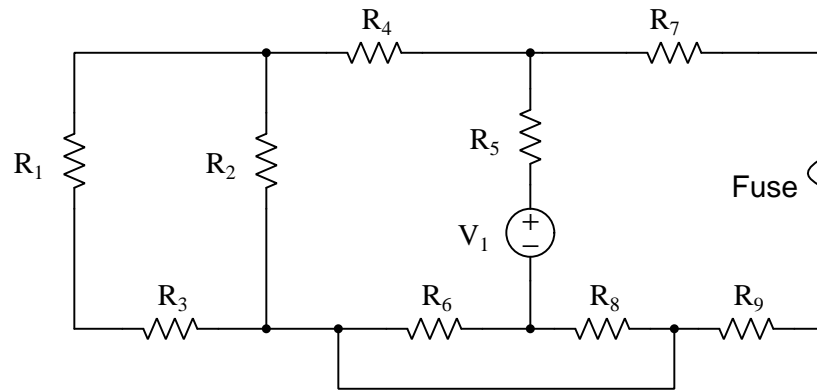
Both ammeters are connected in series with resistor R_2 , and therefore they must both experience the same current flowing through R_2 . However complicated and mysterious the rest of the circuit might be, this much we know to be true!

⁷If you try inserting the ammeter at any other place in the circuit but these two, it will either be in a location where R_2 's current may have found alternate path, or will itself create a new path for current that did not previously exist.

Another practical application of series connections is electrical safety, specifically a concept known as *overcurrent protection*. The danger of excessive current in any circuit is that the resistance of wires and components experiencing abnormally large current values will result in unusual heat dissipation according to the power predicted by Joule's Law ($P = I^2R$). Such heat may start a fire or directly inflict a burn on someone, and so this condition must be remedied as soon as possible. Devices called *fuses* consist of thin pieces of wire designed to melt and break in two when exposed to dangerously high levels of current, thereby automatically interrupting current in the circuit. Other devices called *circuit breakers* perform the same function, but without destroying themselves in the process.

In order for any fuse or circuit breaker to sense an overcurrent condition, as well as to be able to halt current when needed, it must be connected in *series* with the wires or device to be protected. Only a series connection will guarantee the fuse or circuit breaker experiences the same amount of current as the portion of the circuit to be protected, and only a series connection will guarantee current through that portion will be interrupted when the fuse or circuit breaker "opens".

Applying this concept to our complex nine-resistor circuit:

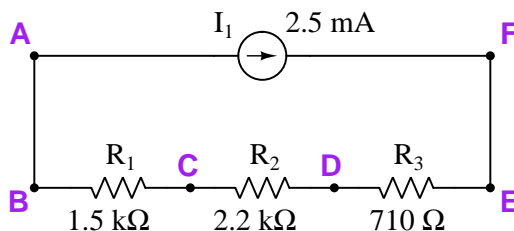


Here, we see a fuse installed in series with resistors R_7 and R_9 . In order to be effective, this fuse must be properly sized such that the normal amount of current through R_7 and R_9 will not disrupt the fuse, but any level of current high enough to overheat either resistor (or the connecting wires) will. If any fault occurs leading to an excessive amount of current through either resistor, this fuse will "blow" (i.e. it will melt into two pieces and open that portion of the circuit).

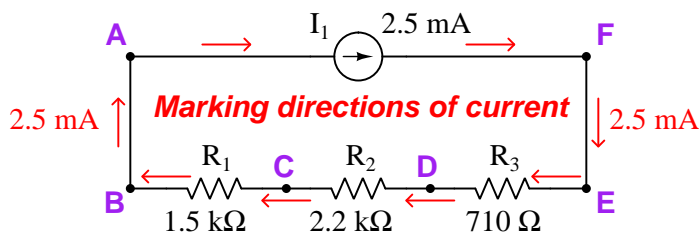
Note that this fuse neither senses current through nor protects any other resistor in the circuit, by virtue of the fact that the fuse is not in series with any other resistor. *A fuse only senses and protects that which it is connected in series with.*

4.3 Properties of series networks

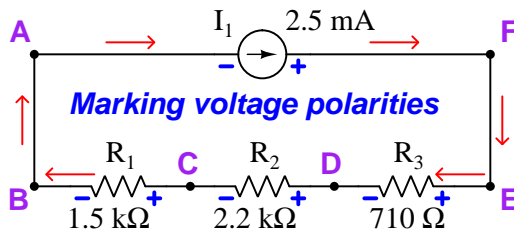
While it is true that series-connected components experience the same current, this is not the only unique property of series circuits. Other properties become apparent when we analyze the relationship between voltage and current for each component in a series circuit. Let us consider a three-resistor series circuit as a test case, powered by a 2.5 milliAmpere current source. The letters A through F identify different points in the circuit we will later reference:



A good first step in analyzing this circuit is tracing directions of current and marking polarities of voltage. The direction of current through the source is already given by the source's arrow symbol, and we also know all three resistors must share this same current because they are connected in series with each other. Therefore, we may place arrows all around the circuit showing the clockwise direction of current (conventional flow notation):



Voltage polarities may now be assigned according to the direction of current and the identity of each component as either a *source* or a *load*, namely that current always exits the positive terminal of a source and enters the positive terminal of a load. Our one current source is a source by definition, and resistors are always loads⁸, so the voltage polarities must be as follows:



⁸Recall that the function of a load is to extract energy from charge carriers as they pass through. This is what any *resistance* does by its inherent opposition to the passage of current: it depletes some of the energy of those passing charge carriers, converting that energy into heat.

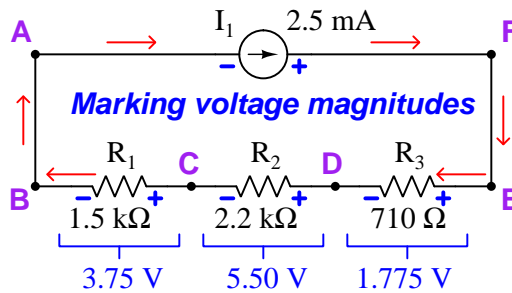
At this point we are ready to apply Ohm's Law to the calculation of each resistor's voltage drop, since Ohm's Law (like all physics formulae) requires its variables to be in the same context. That is to say, if we wish to use Ohm's Law ($V = IR$) to calculate the voltage across a resistor (V_R), we need to know the current through that same resistor (I_R) as well as the resistance of that resistor (R). With only one value of current in this circuit (I) shared in common with all three resistors, and three different resistor values (R_1 , R_2 , and R_3), we will calculate three different voltage values (V_{R1} , V_{R2} , and V_{R3} , each resistor with its own voltage drop):

$$V = IR \quad (\text{General form of Ohm's Law})$$

$$V_{R1} = IR_1 = (2.5 \text{ mA})(1.5 \text{ k}\Omega) = 3.75 \text{ V}$$

$$V_{R2} = IR_2 = (2.5 \text{ mA})(2.2 \text{ k}\Omega) = 5.50 \text{ V}$$

$$V_{R3} = IR_3 = (2.5 \text{ mA})(710 \Omega) = 1.775 \text{ V}$$



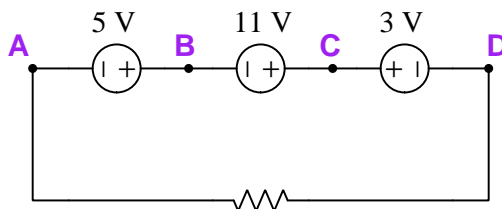
At this juncture it is worth asking, “How much voltage is there across the terminals of the current source?” A current source is only specified for the amount of current it outputs, not voltage. The amount of voltage output by a current source depends on what load(s) the source is powering. In this case, the source is powering three resistors, each of those dropping a known amount of voltage.

Recalling the definition of voltage being *the amount of energy gained or lost by an electric charge carrier between different points*, and knowing in particular that one Volt is defined as one Joule of energy gained or lost per Coulomb of charge, we may begin to answer the question of the source's voltage by examining energy lost by charge carriers moving through the three resistors. As one Coulomb of charges pass through resistor R_3 (from E to D), they collectively lose 1.775 Joules of energy. Next, that same Coulomb of charge loses another 5.50 Joules of energy passing through R_2 (from D to C). Lastly, that same Coulomb of charge loses an additional 3.75 Joules of energy through R_1 (from C to B) before returning to the source to be replenished.

Energy, like electric charge, is a conserved quantity, which means every bit of energy leaving the circuit in the form of heat (dissipated by the resistors) must enter the circuit at the source. Totaling the energy lost by all three resistors as they collectively conduct one Coulomb of charge, we get $1.775 + 5.50 + 3.75 = 11.025$ Joules. This means each Coulomb of charge passing through the current source (from A to F) must absorb 11.025 Joules of energy in order to deliver that much to the resistors. Another way of saying this is that the source outputs 11.025 Volts.

Here we see another important property of series circuits: *voltages add in a series circuit*, because the energy gained or lost at each series component by the same charge carriers must be accounted for according to the Law of Energy Conservation.

This is true for series-connected sources as well as series-connected loads. Consider the following series string of voltage sources:



Imagine a “test charge” of one Coulomb moving from point A, through the 5 Volt source to point B, and so on through point D. From A to B that one-Coulomb charge gains 5 Joules of energy (entering at the lower-energy “-” terminal and exiting the higher-energy “+” terminal). Then, from B to C that same charge gains another 11 Joules of energy, bring the running total up to 16 Joules’ gain. From C to D, however, the charge passes “backwards” through an opposing voltage source, entering that source’s higher-energy terminal and exiting its lower-energy terminal, *losing*⁹ 3 Joules of energy in that leg of its journey. This loss adjusts the running total from 16 Joules’ gain to 13 Joules’ gain. Therefore, the voltage between points D and A is 13 Volts, with point D being positive (+) with respect to point A (i.e. 13 Joules of energy gain per Coulomb of charge passing from A to D). The solitary resistor would experience 13 Volts, and its current would be predicted by Ohm’s Law ($I = \frac{V}{R}$).

Since voltage is always defined between *two* points, we could further elaborate on the above scenario by saying $V_{CA} = 16$ Volts (gaining 5 from A to B, then gaining 11 from B to C), and by saying $V_{DB} = 8$ Volts (gaining 11 from B to C, then losing 3 from C to D). In any combination we find that the voltage across a set of series-connected components is equal to the algebraic¹⁰ sum of each component’s voltage within that set.

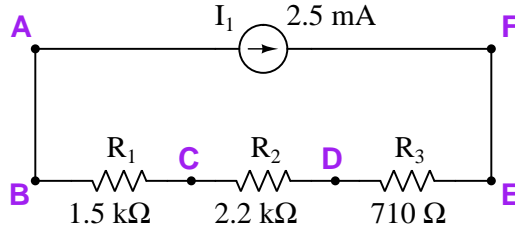
So far we have drawn two important conclusions about series-connected electrical components:

1. Series-connected components experience the *same current* at any given time.
2. The voltage across a string of series-connected components is equal to the *algebraic sum* of the components’ voltages.

⁹It is worth pondering just where this 3 Joules of energy per Coulomb of charge goes as it is lost by the moving charge carriers. If the 3 Volt source in question is a secondary-cell battery, that energy becomes stored in the battery’s chemicals as the current charges up the battery. If the source in question cannot store energy, then it will be dissipated in the form of heat as though it were a resistor.

¹⁰The term “algebraic sum” simply means a total respecting the mathematical sign of each argument. In the case of the three series-connected voltage sources, their sum total voltage was 13 Volts because $5 + 11 + (-3) = 13$.

One more important conclusion regarding series circuits awaits our discovery, regarding *resistance*. If we return to our example circuit powered by the 2.5 mA current source, we may ask the question “How great is this circuit’s *total* resistance?”



Of course, Ohm’s Law is useful in calculating this ($R = \frac{V}{I}$), but as always we must consider all its variables in context. If it is *total* circuit resistance we wish to calculate, then we need to identify the circuit’s *total* voltage and its *total* current prior to performing the calculation. Total voltage (i.e. voltage across the one and only source) has already been determined to be 11.025 Volts, and likewise we already know the value of the one and only current in this circuit: 2.5 milliAmperes. Therefore the calculation for total resistance is:

$$R_{total} = \frac{V_{total}}{I} = \frac{11.025 \text{ V}}{2.5 \text{ mA}} = 4410 \Omega$$

If you compare this total resistance figure of 4.41 kΩ against the individual resistor values given in the schematic diagram, you will notice that total resistance is greater than any single resistor’s value. This makes intuitive sense, as we would expect the combined effect of multiple resistances in series to offer greater resistance (i.e. more opposition to charge carrier motion) than any one of the resistors on its own. However, inspecting the values closer, we see the total resistance is equal to the sum of the individual resistances. We may prove this mathematically by beginning with the statement that total voltage is equal to the sum of the series-connected resistor voltages:

$$V_{total} = V_{R1} + V_{R2} + V_{R3}$$

We may substitute Ohm’s Law into this statement of summed voltages, knowing each resistor’s voltage is equal to the product of that resistance and the circuit’s common series current ($V_R = IR$):

$$V_{total} = IR_1 + IR_2 + IR_3$$

Factoring out the common current value I :

$$V_{total} = I(R_1 + R_2 + R_3)$$

Then, dividing both sides of the equation by I :

$$\frac{V_{total}}{I} = R_1 + R_2 + R_3$$

From our previous calculation of total resistance we know that $\frac{V_{total}}{I} = R_{total}$, so what we have here is really a definition of total resistance for a series circuit:

$$R_{total} = R_1 + R_2 + R_3$$

This mathematically proves what we could infer by inspection of the resistor values: that *the total resistance of a series circuit is the sum of the individual resistance values.*

In summary, we may state one definition of a series circuit followed by three important electrical properties unique to series circuits:

Definition: Series-connected electrical components provide exactly one path for current.

Property #1 Series-connected components experience the *same current* at any given time. $I_1 = I_2 = I_3 \cdots = I_n$

Property #2 Voltages add in series: total voltage across a string of series-connected components is equal to the *algebraic sum* of the components' voltages. $V_{total} = V_1 + V_2 + V_3 \cdots + V_n$

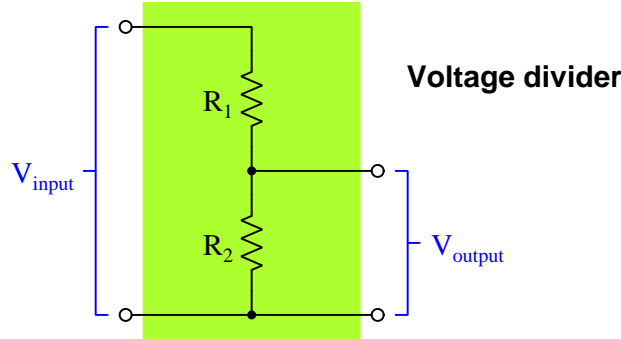
Property #3 Resistances add in series: total resistance for a string of series-connected resistances is equal to the *sum* of those resistance values. $R_{total} = R_1 + R_2 + R_3 \cdots + R_n$

It should be noted that the total power (P) of any series circuit is equal to the sum of all load powers. This is simply a consequence of the Law of Energy Conservation, since power is nothing more than the rate of energy transfer over time: the sum total of all energy transfer out of the circuit (at load components) must be equal to the sum total of all energy transfer into the circuit (at source components). However, this is not unique to series circuits, but applies to *all* electrical circuits because the Law of Energy Conservation is universal:

$$P_{total} = P_1 + P_2 + P_3 \cdots + P_n$$

4.4 Voltage dividers

A very important application of series-connected resistors is a particular configuration known as a *voltage divider*, the purpose of this network¹¹ being to divide an applied voltage into smaller proportions. A simple example of a voltage divider appears in this schematic diagram, shown by itself with no power source connected, but with terminals provided for input and output voltages:



The characteristic formula for a voltage divider, predicting the amount of voltage dropped across any one of the series resistances R , is as follows:

$$V_{output} = V_{input} \left(\frac{R}{R_{total}} \right)$$

In the case of the two-resistor voltage divider illustrated above, the formula could be written as:

$$V_{output} = V_{input} \left(\frac{R_2}{R_1 + R_2} \right)$$

In any case, the ratio $\frac{R}{R_{total}}$ is the *proportion* of V_{input} represented by V_{output} , and so long as the resistor values remain fixed this voltage division ratio will remain fixed as well. For example, if R_1 and R_2 in the two-resistor divider happen to be equal in resistance, the proportion will be 50% (i.e. V_{output} will be equal to one-half the voltage of V_{input}). If R_2 happens to be one-quarter the value of R_1 , the proportion will be 20% (i.e. V_{output} will be one-fifth¹² the voltage of V_{input}). The remainder of the input voltage is dropped across the voltage divider's other resistor(s).

Any ratio desired (between 0 and 1, inclusive) is possible with a voltage divider, given the appropriate resistor values. This makes voltage dividers especially useful in measurement applications (e.g. reducing some high-voltage quantity to a precisely smaller proportion for easier and safer interpretation), computational applications (e.g. performing fixed-value division on a voltage representing some other quantity), and electric power applications (e.g. reducing a large source voltage to a smaller voltage more suitable for powering certain components and sub-circuits).

¹¹A *network* simply refers to a collection of interconnected components, with or without a source.

¹²In case you find this confusing, and were expecting a division ratio of one-quarter, consider the fact that the division ratio of this two-resistor divider is defined by R_2 compared to $R_1 + R_2$, not R_2 versus R_1 . If R_2 is one-quarter the resistance of R_1 , then it will be one-fifth of the *total* series resistance. If you still find this confusing, assign some numerical values to it and see for yourself how V_{R1} , V_{R2} , and V_{total} (V_{input}) relate.

Tempting¹³ though it may be to treat the voltage divider formula as a new principle of series resistor circuits, it is really just an expression of Ohm's Law and familiar series-circuit properties. All we need to do is re-associate¹⁴ some of the variables in the formula to make this apparent:

$$V_{output} = V_{input} \left(\frac{R}{R_{total}} \right) \quad (\text{Original form})$$

$$V_{output} = \left(\frac{V_{input}}{R_{total}} \right) R \quad (\text{Modified form})$$

The quotient $\frac{V_{input}}{R_{total}}$ is equivalent to current (I) in a series circuit, following Ohm's Law ($I = \frac{V}{R}$): the one and only current in this series circuit is equal to the total applied voltage divided by the total resistance of the circuit. Substituting I for $\frac{V_{input}}{R_{total}}$:

$$V_{output} = IR$$

This final result, of course, is just another application of Ohm's Law: the voltage dropped across any one resistor in a series network is equal to the current passing through that resistor multiplied by that resistor's value.

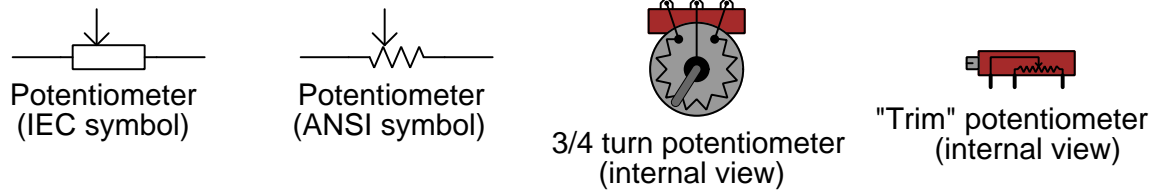
It should be noted that voltage dividers will output voltage values faithful to these formulae only when *unloaded*: that is to say, only when negligible current is drawn from the divider through its output terminals. If any load (for example, another resistor) is connected across the output terminals of a voltage divider, its output voltage will “sag” below the value predicted by the voltage divider formula. Connecting a load to a voltage divider's output terminals essentially modifies the voltage divider circuit, since the values of its constituent resistors are no longer the sole factors in determining the division ratio ($\frac{R}{R_{total}}$). A further exploration of this “loading” effect is beyond the scope of series circuits, and will be addressed in later modules after the introduction of *series-parallel* circuit analysis.

¹³An extremely important pedagogical principle within the sciences is to *connect* concepts wherever possible, and to preferentially reason from foundational principles as opposed to accumulating new rules. This is just one example in action: showing how the division ratio of a voltage divider circuit is really just an application of Ohm's Law and the concept of current being shared among all series-connected components. An unfortunate tendency among many students is to memorize new formulae for various circuit configurations without grasping the common origins of those formulae. I say this is “unfortunate” because the urge to memorize rather than reason represents an aversion to patient observation and logical thinking.

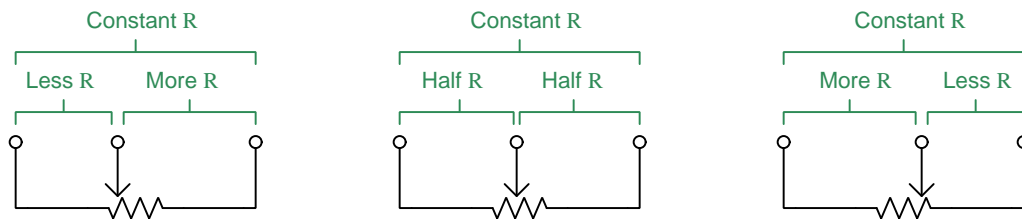
¹⁴In this case, we are literally employing the *associative property of multiplication* which states that $a(bc) = (ab)c$.

4.5 Potentiometers

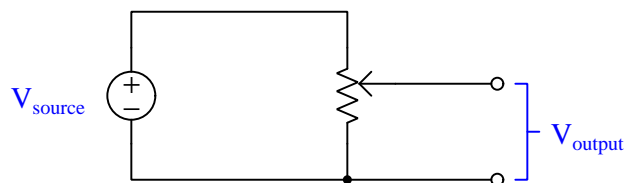
A very important electrical component designed to behave as a variable voltage divider is the *potentiometer*. This device has three terminals: two connecting to the ends of a resistive strip, and one connecting to a movable “wiper” that contacts the resistive strip at one point.



As the wiper forms a single point of contact with the resistive strip, it essentially makes the potentiometer appear as a pair of series-connected resistors having complementary values: when the wiper is in the exact center, each wiper-to-end resistance will be equal (each one half the total end-to-end resistance); when the wiper position is offset from center, one of those resistances will be greater than half and the other resistance will be less than half. End-to-end resistance is always constant regardless of wiper position:



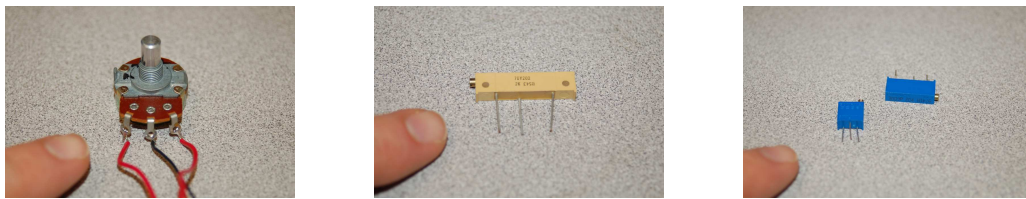
When the outer two terminals of a potentiometer are connected to a voltage source, the wiper provides a connection point to a fraction of that source voltage. Moving the wiper back and forth adjusts the potentiometer's voltage division ratio. In the example shown below, moving the wiper in the upward direction causes the ratio to approach 1:1, while moving the wiper down causes the ratio to decrease toward zero:



Potentiometers are extremely useful devices: as volume controls in audio circuits, calibration adjustments on electronic measuring instruments, sensors to detect angle or position, and many other applications. One common application for potentiometers is to form a single, variable resistance (called a *rheostat*) as shown below:



Photographs of various potentiometers with *rotary* adjustments are shown here:



The left-hand image shows a 3/4 turn potentiometer with wires soldered to its three terminals. The black-colored wire connects to the potentiometer’s “wiper” terminal while the two red-colored wires each connect to opposite ends of the potentiometer’s resistive strip. The middle and right-hand images show “trimmer” potentiometers with multi-turn adjusting screws and leads designed for mounting to a printed circuit board (PCB).

Linear potentiometers are also manufactured, where the resistive strip and wiper motion range fall along a straight line. Linear potentiometers are commonly used for audio mixer controls (where each audio channel has a “slide” control for volume) and as machine position measurement sensors.

As with fixed-value resistors, the physical size of a potentiometer is no indication of resistance, but rather a reflection of its *power* rating. It is possible to design potentiometers for a wide range of resistance values in the same size package, but power dissipation requires surface area to shed heat which is why physical size is a reliable indication of power rating but not resistance.

Chapter 5

Derivations and Technical References

This chapter is where you will find mathematical derivations too detailed to include in the tutorial, and/or tables and other technical reference material.

5.1 Metric prefixes

The *metric system* of measurement specifies certain units of measurement for various physical parameters, some of them listed here:

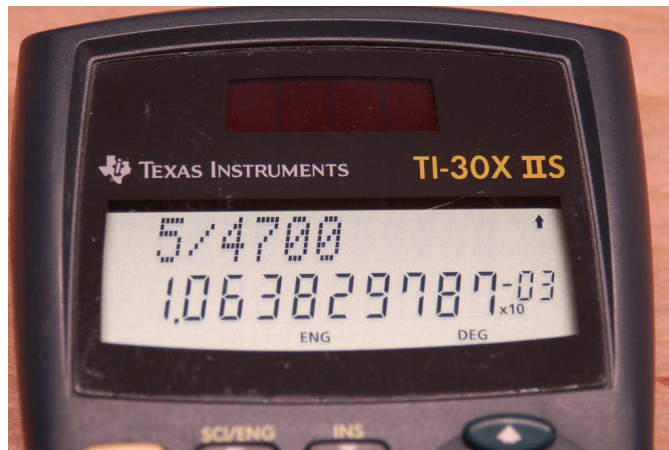
Parameter	Unit	Symbol
Length	Meter	m
Temperature	Celsius or Kelvin	C or K
Mass	Gram	g
Force	Newton	N

These units are useful for measuring any range imaginable, from subatomic to astronomical. In order to make the numerical values easier for human beings to manage, the metric system also includes *prefixes* representing power-of-ten multipliers, some of which are listed here:

Prefix	Symbol	Power-of-ten
Peta	P	$10^{15} = 1,000,000,000,000,000$
Tera	T	$10^{12} = 1,000,000,000,000$
Giga	G	$10^9 = 1,000,000,000$
Mega	M	$10^6 = 1,000,000$
Kilo	k	$10^3 = 1,000$
Milli	m	$10^{-3} = \frac{1}{1,000}$
Micro	μ	$10^{-6} = \frac{1}{1,000,000}$
Nano	n	$10^{-9} = \frac{1}{1,000,000,000}$
Pico	p	$10^{-12} = \frac{1}{1,000,000,000,000}$
Femto	f	$10^{-15} = \frac{1}{1,000,000,000,000,000}$

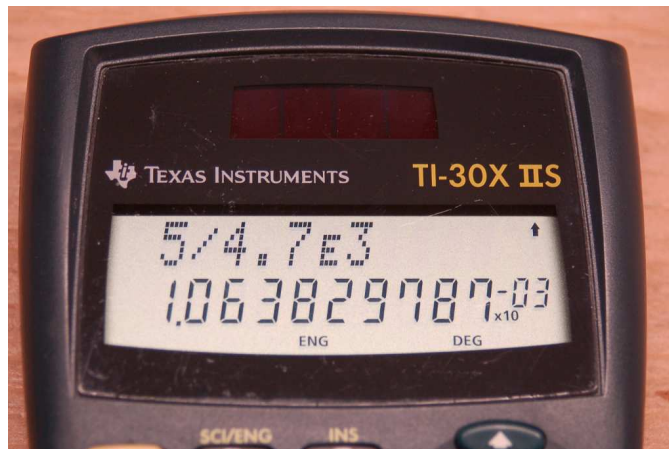
In order to represent very large or very small quantities all we need to do is combine the right prefix with the unit. For example, a distance of 12,509 meters could be written as 12.509 *kilometers* (12.509 km) because “kilo” simply means *thousand*. Similarly, a mass of 0.000000421 grams could be written as 0.421 *micrograms* (0.421 μg) or 421 *nanograms* (421 ng) because “micro” means *one-millionth* and “nano” means *one-billionth*.

Scientific hand calculators offer display modes and entry functions tailored for the purpose of expressing results and accepting input using standard metric prefix power-of-ten notation. Consider the following photograph of a Texas Instruments model TI-30X IIS calculator computing the current through a 4700 Ohm resistor energized by a 5 Volt source (using Ohm's Law, $I = \frac{V}{R}$):

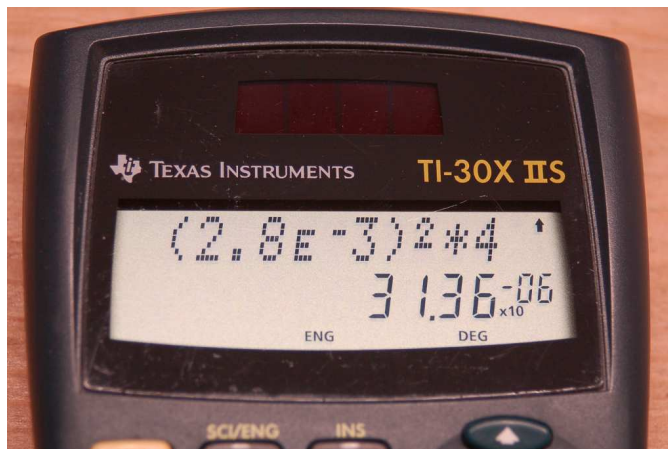


When the calculator has been set to the *Engineering* display mode, all results appear with a $\times 10^x$ label where x is an integer multiple of three to match with the metric prefixes listed previously. Here, the quotient $\frac{5}{4700}$ results in 1.0638×10^{-3} , or 1.0638 milliAmperes (1.0638 mA).

A button marked **EE** (sometimes $\times 10^x$ or simply **E**) allows entry of numerical values in either scientific notation or “engineering” form. Here, the same current calculation is performed entering the 4700 Ohm resistor's value as 4.7 kiloOhms (4.7 k Ω), entered as 4.7E3 in the calculator:



Another example shows the calculation of power dissipated by a $4\ \Omega$ resistor passing a current of 2.8 mA, using Joule's Law ($P = I^2R$) and once again making use of the EE button when entering the current value as 2.8E-3:



Here, the resulting power dissipation is 31.36 microWatts ($31.36\ \mu\text{W}$).

Some hand calculators provide the Normal/Scientific/Engineering display setting as an option within a general display menu, while others (like the TI-30X IIS) allow faster access by making those settings accessible directly on the front. Note the SCI/ENG function visible above one of the buttons in these photographs.

Engineering mode requires a knowledge of the powers-of-ten associated with common metric prefixes, but once those prefix multipliers are memorized it becomes very valuable in that it saves you from having to track numerical values with many leading or trailing zeroes. For example, without Engineering mode set, our calculated current of 1.0638 mA would be displayed by the calculator as 0.001638. It is surprisingly easy to mis-count the number of repeated characters in a digital display – in this case the number of zeroes displayed in 0.001638 – and so this value might easily be mistaken as 0.01638 (16.38 mA) or 0.0001638 (0.1638 mA or 163.8 μA).

Mathematical formulae in science and engineering generally assume the use of *base units* in their variables. For example, *Ohm's Law* assumes voltage expressed in plain Volts (V), current expressed in plain Amperes (A), and resistance expressed in plain Ohms (Ω). However, for very large and very small quantities, it is more convenient for humans to read and write values using either metric prefixes or scientific notation rather than base units. For example, a voltage of 72 Volts applied across a resistance of 3,500,000 Ohms will result in a current of 0.0002057143 Amperes; but these quantities are much more easily written as 72 Volts, 3.5 megaOhms, and 20.57143 microAmperes, respectively.

Metric prefixes exist for the sole purpose of making very large and very small numbers easier for human beings to write. They are really just short-hand notations for specific powers-of-ten. Thus, 3.5 M Ω is equal to 3.5×10^6 Ohms, or 3.5 *million* Ohms; likewise, 20.57143 μ A is the same as 20.57143×10^{-6} Amperes, or 20.57143 *millionths* of an Ampere.

A very common error made by students new to the use of metric prefixes is to ignore these metric prefixes when inserting values into scientific and engineering formulae. For example, if someone tries to apply Ohm's Law to the example quantities of 72 V and 3.5 M Ω to find current ($I = \frac{V}{R}$) by simply dividing 72 by 3.5, their result will be grossly erroneous, as $72 \div 3.5 = 20.57143$. What this incorrect calculation *actually* finds is that 72 Volts applied across 3.5 Ohms yields a current of 20.57143 Amperes. When you enter "3.5" into a calculator, that calculator has no idea you really mean 3.5 *million* (3.5 *mega*) unless you specifically tell it so. This either requires you manually convert 3.5 M Ω into base units of Ohms (3,500,000 Ohms) by entering 3500000 into the calculator, or by using the calculator's power-of-ten entry key by entering 3.5E6 which means 3.5×10^6 . In all cases, it is your responsibility to convert all metric-prefixed values into base-unit forms suitable for the formula(e) being calculated.

An interesting twist on the theme of base units for mathematical formulae is any formula involving *mass*, in which case the value for m must be in *kilograms* rather than grams. This is in accordance with the meter-kilogram-second (MKS) convention of modern¹ metric notation where the kilogram rather than the gram is considered to be the "base" unit for mass.

For example, suppose we wished to calculate the kinetic energy of an 80 gram mass traveling at a velocity of 0.79 kilometers per second using the equation $E = \frac{1}{2}mv^2$. To properly calculate energy (E) in Joules, we would need to enter 0.080 for mass (m) in kilograms because 0.080 kg = 80 g, and we would need to enter 790 or 0.79×10^3 or 0.79E3 for velocity (v) in meters per second because 790 m/s = 0.79 km/s. The proper result would be 24,964 Joules, or 24.964 kJ. If we were to ignore these metric prefixes by entering 80 for m and 0.79 for v , we would erroneously obtain a result of 24.964: an answer to a very different scenario where the mass is 80 kilograms rather than 80 grams and has a velocity of 0.79 meters per second rather than 0.79 kilometers per second. So, just like the Ohm's Law example shown previously, we must always properly interpret values having metric prefixes when entering those values into our calculators – because our hand calculators cannot read the metric prefixes written on the page for us – and additionally ensure that any mass values get entered as kilograms rather than grams.

¹The older metric convention was centimeter-gram-second (CGS) whereby all formulae using distance or displacement required casting that variable in centimeters rather than meters.

5.2 Resistor labeling

Resistors dissipate electrical energy in the form of heat, dropping voltage proportional to the amount of current passing through. This ratio of voltage to current is called *resistance* (R), measured in the unit of the *Ohm* (Ω), and it is the primary characteristic of any resistor. A popular method of labeling resistance values utilizes colored bands² to represent resistance values and tolerances. An example of this resistor style appears in the following photograph:



Four-band resistors are the most popular of the banded style, with the first and second bands representing significant digits, the third band representing a power-of-ten multiplier, and the fourth band representing tolerance.

Band color	First digit value	Second digit value	Multiplier	Tolerance
Black	0	0	10^0	
Brown	1	1	10^1	$\pm 1\%$
Red	2	2	10^2	$\pm 2\%$
Orange	3	3	10^3	$\pm 0.05\%$
Yellow	4	4	10^4	$\pm 0.02\%$
Green	5	5	10^5	$\pm 0.5\%$
Blue	6	6	10^6	$\pm 0.25\%$
Violet	7	7	10^7	$\pm 0.1\%$
Grey	8	8	10^8	$\pm 0.01\%$
White	9	9	10^9	
Gold			10^{-1}	$\pm 5\%$
Silver			10^{-2}	$\pm 10\%$
None				$\pm 20\%$

Applying this color code to the resistor shown above, we see that yellow = 4, violet = 7, red = 2, and silver = $\pm 10\%$. Therefore, this resistor's value is 47×10^2 Ohms (i.e. 4700 Ω) plus or minus 10%, which means it could be as low as 4230 Ω or as high as 5170 Ω .

²A useful mnemonic for associating these colors with decimal digits 0 through 9 and the percentages 5-10-20% is as follows: "Better Be Right Or Your Great Big Venture Goes Wrong. Get Started Now."

Precision resistors require more significant digits to precisely quantify their values, and so use a *five-band* code where the first three bands represent digits, the fourth band represents the power-of-ten multiplier, and the fifth band represents tolerance. Both the four-band and five-band color codes are standardized as part of the international standard IEC 60062.

Many modern resistors are labeled with text rather than color-coded bands. For these resistors, a letter is used in place of a decimal point, the letter either being R (unit), K (kilo), M (mega), G (giga), T (tera), or L (milli). This is commonly referred to as the *RKM* code. Some labeling examples are shown in the following list:

- R82 = 0.82 Ω
- 3R9 = 3.9 Ω
- 47R = 47 Ω
- 560R = 560 Ω
- 3K3 = 3.3 k Ω
- 27K = 27 k Ω
- 100K = 100 k Ω
- 2M2 = 2.2 M Ω
- 15M = 15 M Ω
- 2L7 = 2.7 m Ω

Tolerances for text-labeled resistors use the following letter codes, the tolerance letter always being the last character of the resistor's text label:

Letter code	Tolerance
B	$\pm 0.1\%$
C	$\pm 0.25\%$
D	$\pm 0.5\%$
F	$\pm 1\%$
G	$\pm 2\%$
H	$\pm 3\%$
J	$\pm 5\%$
K	$\pm 10\%$
M	$\pm 20\%$
N	$\pm 30\%$

For example, a resistor labeled 6K8J would be 6.8 k $\Omega \pm 5\%$.

Surface-mount device (SMD) resistors are often labeled with numbers only, either a three-digit numerical code or a four-digit numerical code. These codes follow the same pattern as four- and five-band color codes (except with no specified tolerance, just **digit-digit-multiplier** or **digit-digit-digit-multiplier**). For example, 473 would be 47 k Ω and 2711 would be 2.71 k Ω .

An exception to this general rule appears in the following photograph of a 5 milli-Ohm surface-mount resistor with a tolerance of $\pm 1\%$. The 5L0 portion of the code indicates 5.0 m Ω , while the F portion indicates the $\pm 1\%$ tolerance:



This particular SMD resistor happens to be useful as a high-current *shunt resistor* developing a precise voltage drop proportional to current. Its low resistance value does little to impede the flow of charge carriers to the load, while its tight tolerance ensures its voltage drop will be a fairly good representation of current through it.

5.3 Ground in electric and electronic circuits

Ground and *grounding* within both electric power and electronic circuits are commonly misunderstood topics, largely because these terms can often have very different meaning depending on context. Here we will explore some of these different meanings and hopefully eliminate some of the confusion surrounding them.

The very first concept we must understand in order to comprehend what “ground” is in any circuit is that *voltage* is fundamentally a *relative* measurement of potential energy different *between two points*. This is really true of all forms of potential energy, because “potential” means energy that has not yet been put to work setting matter into motion, implying a final state yet to be realized. When we say an electrical charge carrier possesses potential energy (i.e. electrical potential), this means it *could* (potentially) release energy to do work if it were to fall into a lower state of energy. The difference in energy held by that electric charge carrier from its original (high-potential) state to some other lower-potential state will be the amount of energy released by that charge carrier to do work, with that amount of work done dependent on both the charge carrier’s initial energy level and its final energy level. *Voltage* is the term we use to describe such a difference in electrical potential.

We say that voltage always exists “between two points” or “between two locations” in a circuit because voltage is the amount of potential energy either lost or gained by electric charge carriers from one position in a circuit to another. It is impossible to quantify how much energy will be gained or lost by charge carriers unless we know both the starting point and the ending point for those charge carriers. In order to quantify the absolute amount of potential energy possessed by anything, we would have to know where or how it could lose every bit of its stored energy to be left with zero capacity to do work³. This is really unknowable from a practical perspective, and so the best we can do is quantify gains or losses in potential energy between different states.

This fact about voltage is also why we label it with *pairs* of “+” and “-” symbols, the “+” symbol representing the point of *higher potential* and the “-” symbol representing the point of *lower potential*. We cannot place an absolute value on electrical potential at any single location because no one can say where the location of zero energy is in the universe for electric charges. The best we can do is to rate one location as having higher or lower electrical potential than another, quantifying only the difference in potential between those two locations.

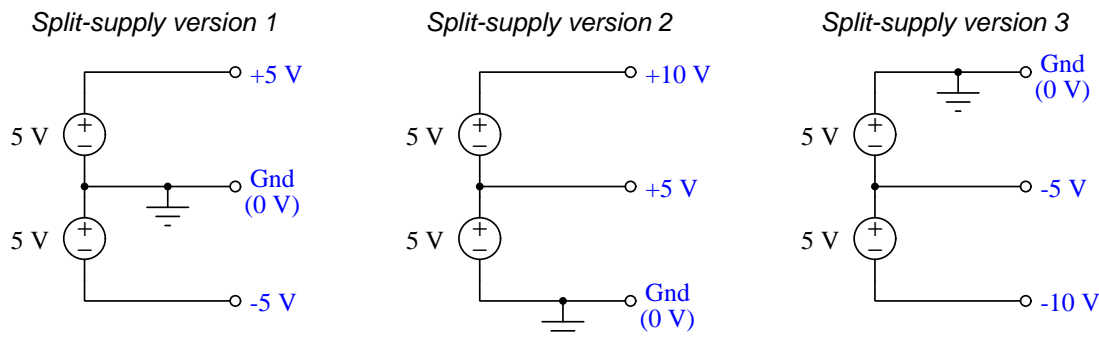
Now that we have reviewed this property of voltage and of potential energy in general, we are ready to explore what is meant by *ground* and *grounding*.

³Using gravitational potential energy as an example, a weight hoisted above the Earth’s surface certainly possesses potential energy, and we might be tempted to quantify this potential energy by simply measuring its weight and its height above ground level and then multiplying those two quantities (i.e. potential energy equals force times distance). However, there are more places this weight could *potentially* fall than just ground level. That same weight, hoisted above the Earth’s surface to the same height, will be assessed to have a far greater amount of potential energy if we consider it potentially falling down a deep hole rather than just falling to ground level. For that matter, one could even argue the weight has a *negative* quantity of potential energy with respect to what it would possess at the summit of the highest mountain! Potential energy, defined as the amount of work that *could* be done, necessarily depends on a system’s initial condition *and* any number of different final conditions of which none are known to be truly zero-energy.

How do we rate the height of mountain peaks? Certainly, we may rate one mountain peak as being some number of meters higher or lower than another, but generally what people do instead is measure a mountain's peak height compared to *Mean Sea Level*. Since water is a liquid, and liquid tend to settle at equal heights under the influence of gravity when they are free to move about, the level of oceans throughout the world provide a relatively stable reference point for measurements of altitude. If we imagine a world without oceans, perhaps one with nothing but dry land and no open bodies of water anywhere, people living at different locations in this world would likely choose some flat-land reference points local (to them) for their measurements of nearby mountains, but these localized altitude measurements would be confusing if not meaningless for world-wide comparisons of mountain peaks.

Much the same is true of electrical and electronic circuits, where voltage is an important measure of electrical potential energy as well as a measure of signal strength where electricity is used as an analogue for representing other things⁴. One way to conveniently rate electrical potentials at different points in a circuit is by arbitrarily choosing one of those points to be the “zero-energy” reference point, and calling it *ground*. Ground in an electrical or electronic circuit is analogous to sea level for rating mountain peak heights or a *datum* or *benchmark* used for surveying land: simply a point of reference agreed-upon to be “zero” for the sake of ranking all other potentials to it.

A good example of this is an electrical network popularly known as a *split DC power supply*. Three different versions of this power supply network are shown with the same pair of 5-Volt DC sources, the only difference being the arbitrary location of the “Ground” (Gnd) point:



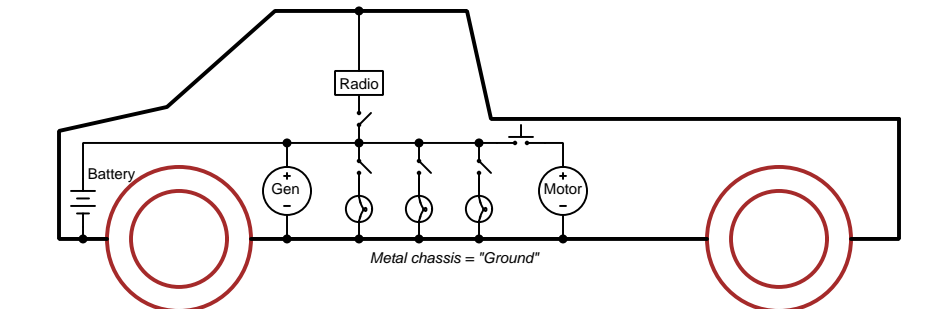
Each terminal's voltage label represents the amount of electrical potential there *relative to the “Ground” terminal*; i.e. “Ground” is simply a “sea-level” reference point against which all other potentials may be measured. The three different versions shown here illustrate just how arbitrary the location of “Ground” really is. Any load connected between the same pairs of terminals on each power supply would experience the same amount of voltage regardless of the “Ground” terminal assignment.

This is one meaning of the word “ground” in electric and electronic circuits: an arbitrary point of reference for the measurement and comparison of electrical power and signal potentials at different locations in the circuit.

⁴Many, many examples exist of voltage being used to represent non-electrical quantities. In digital computer systems, DC voltage levels represent binary “1” and “0” number states. In analog electronic sensor systems, voltage may represent temperature, speed, force, weight, sound pressure, or any number of other physical quantities.

Another meaning of the word “ground” in circuits is a metallic surface used as a common conductor throughout some device or system for reasons of wiring economy. Automobiles with metal frames and chassis typically use their metallic bodies as an electrical conductor for nearly all circuits contained within. Doing so eliminates the need to install separate copper-wire conductors for every source and every load, thereby saving expense and weight:

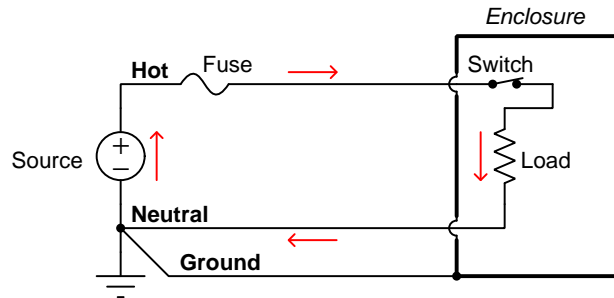
“Negative-ground” vehicle electrical system



Modern automotive electrical systems are “negative-ground” which means the vehicle chassis is always the lowest-potential point in any portion of the circuit. Interestingly, some early automobiles used “positive-ground” wiring which simply had the reverse polarity on all sources and loads: the vehicle chassis being the highest-potential point and all other points being either equal to it or at lower (–) potentials. This choice of polarity is really arbitrary, as electric circuits may be designed and built to function just as well either way. The “negative-ground” standardization we see today is really nothing more than automobile manufacturers agreeing to wiring their different vehicles the same way in order to enjoy interoperability of components.

This usage of the word *ground* – describing the metal chassis of some complex system exploited as a common electrical conductor for multiple circuits – is not incompatible with the previous usage of *ground*: a point of reference in a circuit arbitrarily defined to be “zero” potential. An automotive technician troubleshooting circuit faults in a vehicle often connects the black test lead of their voltmeter to the metal chassis, expecting to measure positive or zero voltage values on that meter when probing circuit test points with the red test lead. In a negative-ground electrical system, the chassis’ electrical potential is *defined* as zero for the purpose of specifying voltages at other points in the circuit(s).

Yet another electrical meaning of the word “ground” is associated with *safety*, in which one metallic conductor of a power circuit is made electrically common to the Earth through a *grounding rod* buried in the soil. In the following circuit, the ground symbol in the lower-left corner is not merely a reference marker intended for anyone viewing the schematic diagram, but actually represents a metal rod driven deep into the soil and connected to one terminal of the voltage source with intent to achieve equipotentiality with the Earth:



Here the purpose of “grounding” is more important than merely establishing a reference point for voltage measurements. Instead, designating the conductor attached to this metal rod as “Ground” and attaching it to any conductive surface on or around an otherwise energized electrical appliance forces that surface to be equipotential to the same Earth that any humans and animals are standing on. This greatly mitigates the risk of electric shock should there be an internal fault within that appliance by making it impossible to have a difference of potential (i.e. voltage) between the grounded surface and the soil.

The following photograph shows the grounding rod for a commercial building, a large-gauge bare copper conductor clamped to the top of the rod which leads into the building’s electrical room:



Ground wires in electric power systems should never carry current during normal operation. In fact, the presence of current through a ground conductor indicates a problem in the system! Note the two current-bearing power conductors in the previous schematic, specifically how the current-carrying conductor made common to Earth ground is called the *neutral*, while the other (non-grounded) power conductors is called *hot* by comparison. The Hot/Neutral designations always refer to which is grounded and which is not, rather than polarity. For example, if we were to reverse

the polarity of the DC voltage source shown in that schematic, the upper conductor (now $-$) would still be considered “hot” and the lower conductor (now $+$) would still be considered “neutral”.

Chapter 6

Programming References

A powerful tool for mathematical modeling is text-based *computer programming*. This is where you type coded commands in text form which the computer is able to interpret. Many different text-based languages exist for this purpose, but we will focus here on just two of them, *C++* and *Python*.

6.1 Programming in C++

One of the more popular text-based computer programming languages is called *C++*. This is a *compiled* language, which means you must create a plain-text file containing C++ code using a program called a *text editor*, then execute a software application called a *compiler* to translate your “source code” into instructions directly understandable to the computer. Here is an example of “source code” for a very simple C++ program intended to perform some basic arithmetic operations and print the results to the computer’s console:

```
#include <iostream>
using namespace std;

int main (void)
{
    float x, y;

    x = 200;
    y = -560.5;

    cout << "This simple program performs basic arithmetic on" << endl;
    cout << "the two numbers " << x << " and " << y << " and then" << endl;
    cout << "displays the results on the computer's console." << endl;

    cout << endl;

    cout << "Sum = " << x + y << endl;
    cout << "Difference = " << x - y << endl;
    cout << "Product = " << x * y << endl;
    cout << "Quotient of " << x / y << endl;

    return 0;
}
```

Computer languages such as C++ are designed to make sense when read by human programmers. The general order of execution is left-to-right, top-to-bottom just the same as reading any text document written in English. Blank lines, indentation, and other “whitespace” is largely irrelevant in C++ code, and is included only to make the code more pleasing¹ to view.

¹Although not included in this example, *comments* preceded by double-forward slash characters (*//*) may be added to source code as well to provide explanations of what the code is supposed to do, for the benefit of anyone reading it. The compiler application will ignore all comments.

Let's examine the C++ source code to explain what it means:

- `#include <iostream>` and `using namespace std;` are set-up instructions to the compiler giving it some context in which to interpret your code. The code specific to your task is located between the brace symbols (`{` and `}`, often referred to as “curly-braces”).
- `int main (void)` labels the “Main” function for the computer: the instructions within this function (lying between the `{` and `}` symbols) it will be commanded to execute. Every complete C++ program contains a `main` function at minimum, and often additional functions as well, but the `main` function is where execution always begins. The `int` declares this function will return an *integer* number value when complete, which helps to explain the purpose of the `return 0;` statement at the end of the `main` function: providing a numerical value of zero at the program's completion as promised by `int`. This returned value is rather incidental to our purpose here, but it is fairly standard practice in C++ programming.
- Grouping symbols such as parentheses and {braces} abound in C, C++, and other languages (e.g. Java). Parentheses typically group data to be processed by a function, called *arguments* to that function. Braces surround lines of executable code belonging to a particular function.
- The `float` declaration reserves places in the computer's memory for two *floating-point* variables, in this case the variables' names being `x` and `y`. In most text-based programming languages, variables may be named by single letters or by combinations of letters (e.g. `xyz` would be a single variable).
- The next two lines assign numerical values to the two variables. Note how each line terminates with a semicolon character (`;`) and how this pattern holds true for most of the lines in this program. In C++ semicolons are analogous to periods at the ends of English sentences. This demarcation of each line's end is necessary because C++ ignores whitespace on the page and doesn't “know” otherwise where one line ends and another begins.
- All the other instructions take the form of a `cout` command which prints characters to the “standard output” stream of the computer, which in this case will be text displayed on the console. The double-less-than symbols (`<<`) show data being sent *toward* the `cout` command. Note how verbatim text is enclosed in quotation marks, while variables such as `x` or mathematical expressions such as `x - y` are not enclosed in quotations because we want the computer to display the numerical values represented, not the literal text.
- Standard arithmetic operations (add, subtract, multiply, divide) are represented as `+`, `-`, `*`, and `/`, respectively.
- The `endl` found at the end of every `cout` statement marks the end of a line of text printed to the computer's console display. If not for these `endl` inclusions, the displayed text would resemble a run-on sentence rather than a paragraph. Note the `cout << endl;` line, which does nothing but create a blank line on the screen, for no reason other than esthetics.

After saving this *source code* text to a file with its own name (e.g. `myprogram.cpp`), you would then *compile* the source code into an *executable* file which the computer may then run. If you are using a console-based compiler such as *GCC* (very popular within variants of the Unix operating system², such as Linux and Apple’s OS X), you would type the following command and press the Enter key:

```
g++ -o myprogram.exe myprogram.cpp
```

This command instructs the *GCC* compiler to take your source code (`myprogram.cpp`) and create with it an executable file named `myprogram.exe`. Simply typing `./myprogram.exe` at the command-line will then execute your program:

```
./myprogram.exe
```

If you are using a graphic-based C++ development system such as Microsoft Visual Studio³, you may simply create a new console application “project” using this software, then paste or type your code into the example template appearing in the editor window, and finally run your application to test its output.

As this program runs, it displays the following text to the console:

```
This simple program performs basic arithmetic on
the two numbers 200 and -560.5 and then
displays the results on the computer’s console.
```

```
Sum = -360.5
Difference = 760.5
Product = -112100
Quotient of -0.356824
```

As crude as this example program is, it serves the purpose of showing how easy it is to write and execute simple programs in a computer using the C++ language. As you encounter C++ example programs (shown as source code) in any of these modules, feel free to directly copy-and-paste the source code text into a text editor’s screen, then follow the rest of the instructions given here (i.e. save to a file, compile, and finally run your program). You will find that it is generally easier to

²A very functional option for users of Microsoft Windows is called *Cygwin*, which provides a Unix-like console environment complete with all the customary utility applications such as *GCC*!

³Using Microsoft Visual Studio community version 2017 at the time of this writing to test this example, here are the steps I needed to follow in order to successfully compile and run a simple program such as this: (1) Start up Visual Studio and select the option to create a New Project; (2) Select the Windows Console Application template, as this will perform necessary set-up steps to generate a console-based program which will save you time and effort as well as avoid simple errors of omission; (3) When the editing screen appears, type or paste the C++ code within the `main()` function provided in the template, deleting the “Hello World” `cout` line that came with the template; (4) Type or paste any preprocessor directives (e.g. `#include` statements, `namespace` statements) necessary for your code that did not come with the template; (5) Lastly, under the Debug drop-down menu choose either Start Debugging (F5 hot-key) or Start Without Debugging (Ctrl-F5 hotkeys) to compile (“Build”) and run your new program. Upon execution a console window will appear showing the output of your program.

learn computer programming by closely examining others' example programs and modifying them than it is to write your own programs starting from a blank screen.

6.2 Programming in Python

Another text-based computer programming language called *Python* allows you to type instructions at a terminal prompt and receive immediate results without having to compile that code. This is because Python is an *interpreted* language: a software application called an *interpreter* reads your source code, translates it into computer-understandable instructions, and then executes those instructions in one step.

The following shows what happens on my personal computer when I start up the Python interpreter on my personal computer, by typing `python3`⁴ and pressing the Enter key:

```
Python 3.7.2 (default, Feb 19 2019, 18:15:18)
[GCC 4.1.2] on linux
Type "help", "copyright", "credits" or "license" for more information.
>>>
```

The `>>>` symbols represent the prompt within the Python interpreter “shell”, signifying readiness to accept Python commands entered by the user.

Shown here is an example of the same arithmetic operations performed on the same quantities, using a Python interpreter. All lines shown preceded by the `>>>` prompt are entries typed by the human programmer, and all lines shown without the `>>>` prompt are responses from the Python interpreter software:

```
>>> x = 200
>>> y = -560.5
>>> x + y
-360.5
>>> x - y
760.5
>>> x * y
-112100.0
>>> x / y
-0.35682426404995538
>>> quit()
```

⁴Using version 3 of Python, which is the latest at the time of this writing.

More advanced mathematical functions are accessible in Python by first entering the line `from math import *` which “imports” these functions from Python’s math *library* (with functions identical to those available for the C programming language, and included on any computer with Python installed). Some examples show some of these functions in use, demonstrating how the Python interpreter may be used as a scientific calculator:

```
>>> from math import *
>>> sin(30.0)
-0.98803162409286183
>>> sin(radians(30.0))
0.49999999999999994
>>> pow(2.0, 5.0)
32.0
>>> log10(10000.0)
4.0
>>> e
2.7182818284590451
>>> pi
3.1415926535897931
>>> log(pow(e,6.0))
6.0
>>> asin(0.7071068)
0.78539819000368838
>>> degrees(asin(0.7071068))
45.000001524425265
>>> quit()
```

Note how trigonometric functions assume angles expressed in *radians* rather than *degrees*, and how Python provides convenient functions for translating between the two. Logarithms assume a base of e unless otherwise stated (e.g. the `log10` function for common logarithms).

The interpreted (versus compiled) nature of Python, as well as its relatively simple syntax, makes it a good choice as a person’s first programming language. For complex applications, interpreted languages such as Python execute slower than compiled languages such as C++, but for the very simple examples used in these learning modules speed is not a concern.

Another Python math library is `cmath`, giving Python the ability to perform arithmetic on complex numbers. This is very useful for AC circuit analysis using *phasors*⁵ as shown in the following example. Here we see Python’s interpreter used as a scientific calculator to show series and parallel impedances of a resistor, capacitor, and inductor in a 60 Hz AC circuit:

```
>>> from math import *
>>> from cmath import *
>>> r = complex(400,0)
>>> f = 60.0
>>> xc = 1/(2 * pi * f * 4.7e-6)
>>> zc = complex(0,-xc)
>>> xl = 2 * pi * f * 1.0
>>> zl = complex(0,xl)
>>> r + zc + zl
(400-187.38811239154882j)
>>> 1/(1/r + 1/zc + 1/zl)
(355.837695813625+125.35793777619385j)
>>> polar(r + zc + zl)
(441.717448903332, -0.4381072059213295)
>>> abs(r + zc + zl)
441.717448903332
>>> phase(r + zc + zl)
-0.4381072059213295
>>> degrees(phase(r + zc + zl))
-25.10169387356105
```

When entering a value in rectangular form, we use the `complex()` function where the arguments are the real and imaginary quantities, respectively. If we had opted to enter the impedance values in polar form, we would have used the `rect()` function where the first argument is the magnitude and the second argument is the angle in radians. For example, we could have set the capacitor’s impedance (`zc`) as $X_C \angle -90^\circ$ with the command `zc = rect(xc,radians(-90))` rather than with the command `zc = complex(0,-xc)` and it would have worked the same.

Note how Python defaults to rectangular form for complex quantities. Here we defined a 400 Ohm resistance as a complex value in rectangular form ($400 + j0 \Omega$), then computed capacitive and inductive reactances at 60 Hz and defined each of those as complex (phasor) values ($0 - jX_c \Omega$ and $0 + jX_l \Omega$, respectively). After that we computed total impedance in series, then total impedance in parallel. Polar-form representation was then shown for the series impedance ($441.717 \Omega \angle -25.102^\circ$). Note the use of different functions to show the polar-form series impedance value: `polar()` takes the complex quantity and returns its polar magnitude and phase angle in *radians*; `abs()` returns just the polar magnitude; `phase()` returns just the polar angle, once again in radians. To find the polar phase angle in degrees, we nest the `degrees()` and `phase()` functions together.

The utility of Python’s interpreter environment as a scientific calculator should be clear from these examples. Not only does it offer a powerful array of mathematical functions, but also unlimited

⁵A “phasor” is a voltage, current, or impedance represented as a complex number, either in rectangular or polar form.

assignment of variables as well as a convenient text record⁶ of all calculations performed which may be easily copied and pasted into a text document for archival.

It is also possible to save a set of Python commands to a text file using a text editor application, and then instruct the Python interpreter to execute it at once rather than having to type it line-by-line in the interpreter's shell. For example, consider the following Python program, saved under the filename `myprogram.py`:

```
x = 200
y = -560.5

print("Sum")
print(x + y)

print("Difference")
print(x - y)

print("Product")
print(x * y)

print("Quotient")
print(x / y)
```

As with C++, the interpreter will read this source code from left-to-right, top-to-bottom, just the same as you or I would read a document written in English. Interestingly, whitespace *is* significant in the Python language (unlike C++), but this simple example program makes no use of that.

To execute this Python program, I would need to type `python myprogram.py` and then press the Enter key at my computer console's prompt, at which point it would display the following result:

```
Sum
-360.5
Difference
760.5
Product
-112100.0
Quotient
-0.35682426405
```

As you can see, syntax within the Python programming language is simpler than C++, which is one reason why it is often a preferred language for beginning programmers.

⁶Like many command-line computing environments, Python's interpreter supports "up-arrow" recall of previous entries. This allows quick recall of previously typed commands for editing and re-evaluation.

If you are interested in learning more about computer programming in *any* language, you will find a wide variety of books and free tutorials available on those subjects. Otherwise, feel free to learn by the examples presented in these modules.

6.3 Modeling a series circuit using C++

Here is an example C++ program intended to display a crude representation of a three-resistor series circuit and then calculate all relevant voltages, currents, and powers:

```
#include <iostream>
#include <cmath>
using namespace std;

int main (void)
{
    float v1, r1, r2, r3, rtotal, i, vr1, vr2, vr3, pr1, pr2, pr3, ptotal;

    v1 = 48.00;
    r1 = 950;
    r2 = 1.1e3;
    r3 = 75;

    cout << "+---V1---R1---R2---R3---+ " << endl;
    cout << "|                               | " << endl;
    cout << "+-----+ " << endl;

    cout << "V1 = " << v1 << " Volts" << endl;
    cout << "R1 = " << r1 << " Ohms" << endl;
    cout << "R2 = " << r2 << " Ohms" << endl;
    cout << "R3 = " << r3 << " Ohms" << endl;

    rtotal = r1 + r2 + r3;

    i = v1 / rtotal;

    cout << "I = " << i << " Amperes" << endl;

    vr1 = i * r1;
    vr2 = i * r2;
    vr3 = i * r3;

    cout << "VR1 = " << vr1 << " Volts" << endl;
    cout << "VR2 = " << vr2 << " Volts" << endl;
    cout << "VR3 = " << vr3 << " Volts" << endl;

    pr1 = pow(vr1,2) / r1;
    pr2 = pow(vr2,2) / r2;
    pr3 = pow(vr3,2) / r3;
```

```
ptotal = pr1 + pr2 + pr3;

cout << "PR1 = " << pr1 << " Watts" << endl;
cout << "PR2 = " << pr2 << " Watts" << endl;
cout << "PR3 = " << pr3 << " Watts" << endl;
cout << "PTOTAL = " << ptotal << " Watts" << endl;

return 0;
}
```

When compiled and executed, this program generates the following output:

```
+---V1---R1---R2---R3---+
|                               |
+-----+
V1 = 48 Volts
R1 = 950 Ohms
R2 = 1100 Ohms
R3 = 75 Ohms
I = 0.0225882 Amperes
VR1 = 21.4588 Volts
VR2 = 24.8471 Volts
VR3 = 1.69412 Volts
PR1 = 0.484717 Watts
PR2 = 0.561251 Watts
PR3 = 0.0382671 Watts
PTOTAL = 1.08424 Watts
```


Chapter 7

Questions

This learning module, along with all others in the ModEL collection, is designed to be used in an inverted instructional environment where students independently read¹ the tutorials and attempt to answer questions on their own *prior* to the instructor's interaction with them. In place of lecture², the instructor engages with students in Socratic-style dialogue, probing and challenging their understanding of the subject matter through inquiry.

Answers are not provided for questions within this chapter, and this is by design. Solved problems may be found in the Tutorial and Derivation chapters, instead. The goal here is *independence*, and this requires students to be challenged in ways where others cannot think for them. Remember that you always have the tools of *experimentation* and *computer simulation* (e.g. SPICE) to explore concepts!

The following lists contain ideas for Socratic-style questions and challenges. Upon inspection, one will notice a strong theme of *metacognition* within these statements: they are designed to foster a regular habit of examining one's own thoughts as a means toward clearer thinking. As such these sample questions are useful both for instructor-led discussions as well as for self-study.

¹Technical reading is an essential academic skill for any technical practitioner to possess for the simple reason that the most comprehensive, accurate, and useful information to be found for developing technical competence is in textual form. Technical careers in general are characterized by the need for continuous learning to remain current with standards and technology, and therefore any technical practitioner who cannot read well is handicapped in their professional development. An excellent resource for educators on improving students' reading prowess through intentional effort and strategy is the book *Reading For Understanding – How Reading Apprenticeship Improves Disciplinary Learning in Secondary and College Classrooms* by Ruth Schoenbach, Cynthia Greenleaf, and Lynn Murphy.

²Lecture is popular as a teaching method because it is easy to implement: any reasonably articulate subject matter expert can talk to students, even with little preparation. However, it is also quite problematic. A good lecture always makes complicated concepts seem easier than they are, which is bad for students because it instills a false sense of confidence in their own understanding; reading and re-articulation requires more cognitive effort and serves to verify comprehension. A culture of teaching-by-lecture fosters a debilitating dependence upon direct personal instruction, whereas the challenges of modern life demand independent and critical thought made possible only by gathering information and perspectives from afar. Information presented in a lecture is ephemeral, easily lost to failures of memory and dictation; text is forever, and may be referenced at any time.

GENERAL CHALLENGES FOLLOWING TUTORIAL READING

- Summarize as much of the text as you can in one paragraph of your own words. A helpful strategy is to explain ideas as you would for an intelligent child: as simple as you can without compromising too much accuracy.
- Simplify a particular section of the text, for example a paragraph or even a single sentence, so as to capture the same fundamental idea in fewer words.
- Where did the text make the most sense to you? What was it about the text's presentation that made it clear?
- Identify where it might be easy for someone to misunderstand the text, and explain why you think it could be confusing.
- Identify any new concept(s) presented in the text, and explain in your own words.
- Identify any familiar concept(s) such as physical laws or principles applied or referenced in the text.
- Devise a proof of concept experiment demonstrating an important principle, physical law, or technical innovation represented in the text.
- Devise an experiment to disprove a plausible misconception.
- Did the text reveal any misconceptions you might have harbored? If so, describe the misconception(s) and the reason(s) why you now know them to be incorrect.
- Describe any useful problem-solving strategies applied in the text.
- Devise a question of your own to challenge a reader's comprehension of the text.

GENERAL FOLLOW-UP CHALLENGES FOR ASSIGNED PROBLEMS

- Identify where any fundamental laws or principles apply to the solution of this problem, especially before applying any mathematical techniques.
- Devise a thought experiment to explore the characteristics of the problem scenario, applying known laws and principles to mentally model its behavior.
- Describe in detail your own strategy for solving this problem. How did you identify and organized the given information? Did you sketch any diagrams to help frame the problem?
- Is there more than one way to solve this problem? Which method seems best to you?
- Show the work you did in solving this problem, even if the solution is incomplete or incorrect.
- What would you say was the most challenging part of this problem, and why was it so?
- Was any important information missing from the problem which you had to research or recall?
- Was there any extraneous information presented within this problem? If so, what was it and why did it not matter?
- Examine someone else's solution to identify where they applied fundamental laws or principles.
- Simplify the problem from its given form and show how to solve this simpler version of it. Examples include eliminating certain variables or conditions, altering values to simpler (usually whole) numbers, applying a limiting case (i.e. altering a variable to some extreme or ultimate value).
- For quantitative problems, identify the real-world meaning of all intermediate calculations: their units of measurement, where they fit into the scenario at hand. Annotate any diagrams or illustrations with these calculated values.
- For quantitative problems, try approaching it qualitatively instead, thinking in terms of “increase” and “decrease” rather than definite values.
- For qualitative problems, try approaching it quantitatively instead, proposing simple numerical values for the variables.
- Were there any assumptions you made while solving this problem? Would your solution change if one of those assumptions were altered?
- Identify where it would be easy for someone to go astray in attempting to solve this problem.
- Formulate your own problem based on what you learned solving this one.

GENERAL FOLLOW-UP CHALLENGES FOR EXPERIMENTS OR PROJECTS

- In what way(s) was this experiment or project easy to complete?
- Identify some of the challenges you faced in completing this experiment or project.

- Show how thorough documentation assisted in the completion of this experiment or project.
- Which fundamental laws or principles are key to this system's function?
- Identify any way(s) in which one might obtain false or otherwise misleading measurements from test equipment in this system.
- What will happen if (component X) fails (open/shorted/etc.)?
- What would have to occur to make this system unsafe?

7.1 Conceptual reasoning

These questions are designed to stimulate your analytic and synthetic thinking³. In a Socratic discussion with your instructor, the goal is for these questions to prompt an extended dialogue where assumptions are revealed, conclusions are tested, and understanding is sharpened. Your instructor may also pose additional questions based on those assigned, in order to further probe and refine your conceptual understanding.

Questions that follow are presented to challenge and probe your understanding of various concepts presented in the tutorial. These questions are intended to serve as a guide for the Socratic dialogue between yourself and the instructor. Your instructor’s task is to ensure you have a sound grasp of these concepts, and the questions contained in this document are merely a means to this end. Your instructor may, at his or her discretion, alter or substitute questions for the benefit of tailoring the discussion to each student’s needs. The only absolute requirement is that each student is challenged and assessed at a level equal to or greater than that represented by the documented questions.

It is far more important that you convey your *reasoning* than it is to simply convey a correct answer. For this reason, you should refrain from researching other information sources to answer questions. What matters here is that *you* are doing the thinking. If the answer is incorrect, your instructor will work with you to correct it through proper reasoning. A correct answer without an adequate explanation of how you derived that answer is unacceptable, as it does not aid the learning or assessment process.

You will note a conspicuous lack of answers given for these conceptual questions. Unlike standard textbooks where answers to every other question are given somewhere toward the back of the book, here in these learning modules students must rely on other means to check their work. The best way by far is to debate the answers with fellow students and also with the instructor during the Socratic dialogue sessions intended to be used with these learning modules. Reasoning through challenging questions with other people is an excellent tool for developing strong reasoning skills.

Another means of checking your conceptual answers, where applicable, is to use circuit simulation software to explore the effects of changes made to circuits. For example, if one of these conceptual questions challenges you to predict the effects of altering some component parameter in a circuit, you may check the validity of your work by simulating that same parameter change within software and seeing if the results agree.

³*Analytical* thinking involves the “disassembly” of an idea into its constituent parts, analogous to dissection. *Synthetic* thinking involves the “assembly” of a new idea comprised of multiple concepts, analogous to construction. Both activities are high-level cognitive skills, extremely important for effective problem-solving, necessitating frequent challenge and regular practice to fully develop.

7.1.1 Reading outline and reflections

“Reading maketh a full man; conference a ready man; and writing an exact man” – Francis Bacon

Francis Bacon’s advice is a blueprint for effective education: reading provides the learner with knowledge, writing focuses the learner’s thoughts, and critical dialogue equips the learner to confidently communicate and apply their learning. Independent acquisition and application of knowledge is a powerful skill, well worth the effort to cultivate. To this end, students should read these educational resources closely, journal their own reflections on the reading, and discuss in detail their findings with classmates and instructor(s). You should be able to do all of the following after reading any instructional text:

☑ Briefly **SUMMARIZE THE TEXT** in the form of a journal entry documenting your learning as you progress through the course of study. Share this summary in dialogue with your classmates and instructor. Journaling is an excellent self-test of thorough reading because you cannot clearly express what you have not read or did not comprehend.

☑ Demonstrate **ACTIVE READING STRATEGIES**, including verbalizing your impressions as you read, simplifying long passages to convey the same ideas using fewer words, annotating text and illustrations with your own interpretations, working through mathematical examples shown in the text, cross-referencing passages with relevant illustrations and/or other passages, identifying problem-solving strategies applied by the author, etc. Technical reading is a special case of problem-solving, and so these strategies work precisely because they help solve any problem: paying attention to your own thoughts (metacognition), eliminating unnecessary complexities, identifying what makes sense, paying close attention to details, drawing connections between separated facts, and noting the successful strategies of others.

☑ Identify **IMPORTANT THEMES**, especially **GENERAL LAWS** and **PRINCIPLES**, expounded in the text and express them in the simplest of terms as though you were teaching an intelligent child. This emphasizes connections between related topics and develops your ability to communicate complex ideas to anyone.

☑ Form **YOUR OWN QUESTIONS** based on the reading, and then pose them to your instructor and classmates for their consideration. Anticipate both correct and incorrect answers, the incorrect answer(s) assuming one or more plausible misconceptions. This helps you view the subject from different perspectives to grasp it more fully.

☑ Devise **EXPERIMENTS** to test claims presented in the reading, or to disprove misconceptions. Predict possible outcomes of these experiments, and evaluate their meanings: what result(s) would confirm, and what would constitute disproof? Running mental simulations and evaluating results is essential to scientific and diagnostic reasoning.

☑ Specifically identify any points you found **CONFUSING**. The reason for doing this is to help diagnose misconceptions and overcome barriers to learning.

7.1.2 Foundational concepts

Correct analysis and diagnosis of electric circuits begins with a proper understanding of some basic concepts. The following is a list of some important concepts referenced in this module's full tutorial. Define each of them in your own words, and be prepared to illustrate each of these concepts with a description of a practical example and/or a live demonstration.

Energy

Conservation of Energy

Conservation of Electric Charge

Voltage

Conductors versus Insulators

Resistance

Current

Electric circuit

Electrical source

Electrical load

Equipotential points

Electrically common points

Open

Short

Switch

Ohm's Law

Joule's Law

Series

Overcurrent protection

Current source

Voltage source

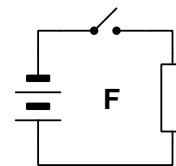
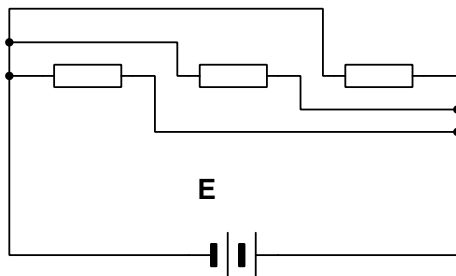
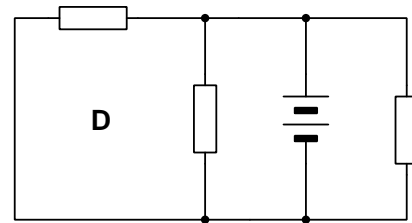
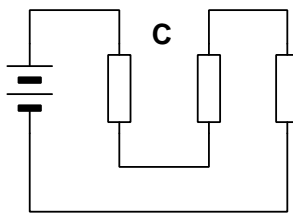
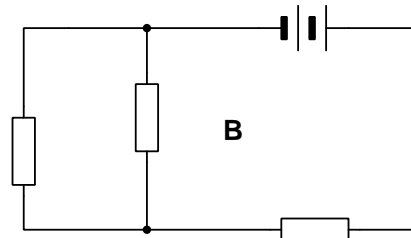
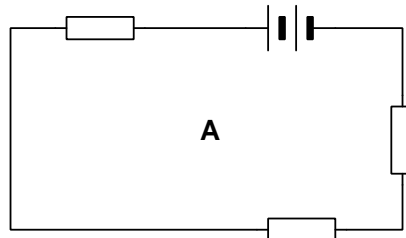
Properties of series circuits

Voltage divider

Potentiometer

7.1.3 Identifying series circuits

Identify which of these circuits is a *series* circuit (there may be more than one shown!):



For every circuit that is *not* series, explain why.

How do component voltages relate to total (source) voltage in a series circuit, and why?

How do component currents relate to total (source) current in a series circuit, and why?

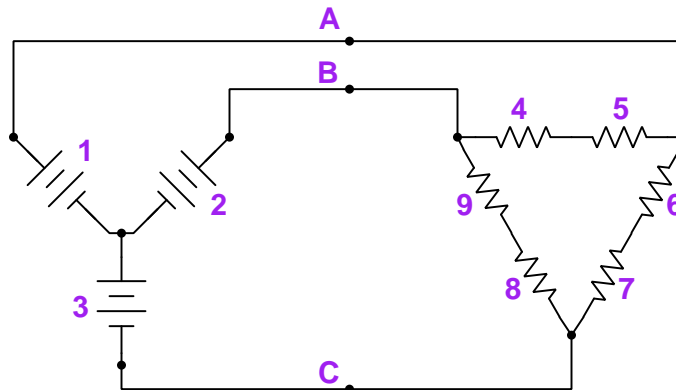
How do component resistances relate to total resistance in a series circuit, and why?

Challenges

- For any of these circuits that are not series as a whole, are there any components within that are in series with each other?
- A common practice in industrial control system wiring is to label every wire with a number, and to use common numbers for wires that are equipotential with each other. Apply this principle to any of the circuits shown.
- Identify a place where a single fuse might be installed, which would interrupt power to all loads when it blows.

7.1.4 Identifying series points and elements

Identify all labeled points as well as elements (i.e. components) in this circuit that are connected in *series* with each other):

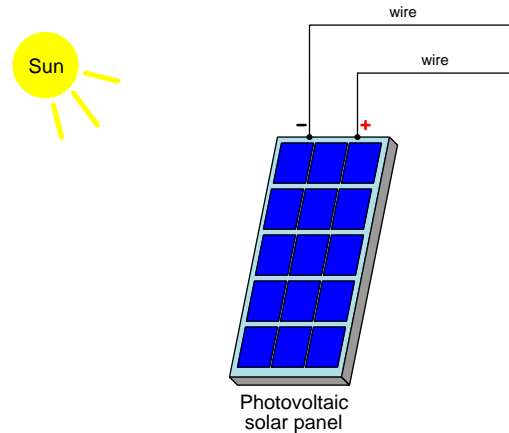


Challenges

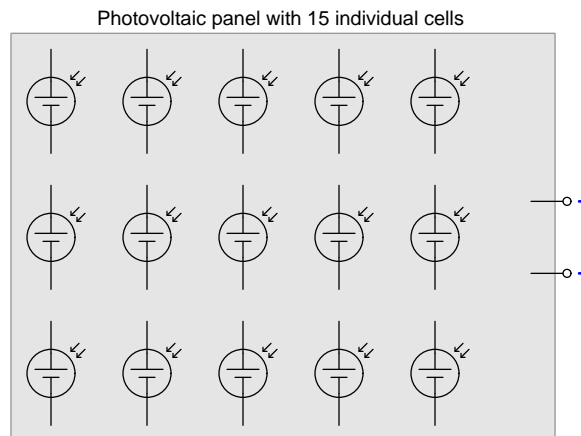
- Assuming all respective component values are equal, identify locations in the circuit where the current will be zero.

7.1.5 Photovoltaic panels

Photovoltaic (“solar”) panels – sometimes referred to as “PV” panels for convenience – generate voltage when struck by sunlight, which makes them suitable for electric power generation. PV panels are widely used to power spacecraft, to power remote electronic devices where no “grid” power is available, and also as power sources for residences and businesses.



PV panels consist of an array of “cells”, with each cell generating less than one Volt of potential in bright sunlight. Each cell in the panel illustrated above appears as a blue-colored square. Suppose each cell in this panel was individually rated at a maximum output voltage of 0.85 Volts and a maximum output current of 4.3 Amperes. Determine how these cells could be connected together to achieve maximum voltage for the panel as a whole, and then calculate how much that maximum panel output voltage would be. A partial schematic diagram has been provided for you below, showing all fifteen cells and the panel output terminals:

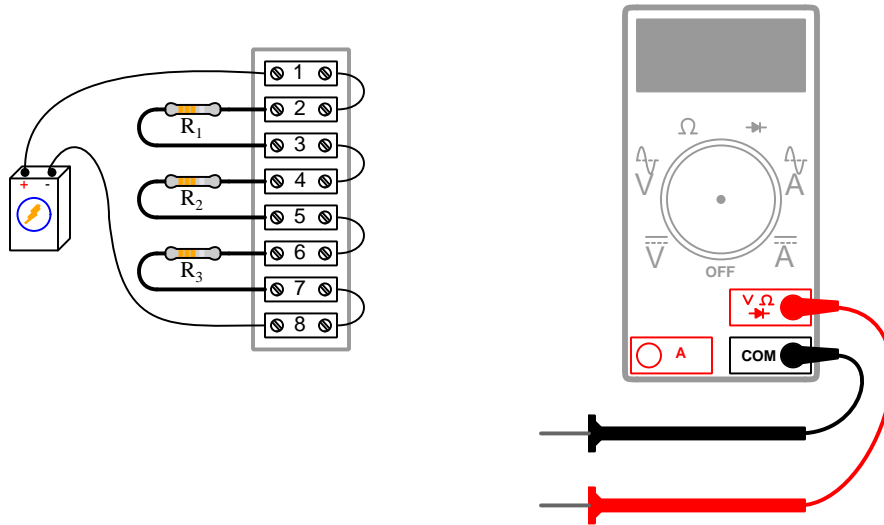


Challenges

- With the panel's cells wired together for maximum output voltage, calculate the panel's maximum output current value.
- With the panel's cells wired together for maximum output voltage, what will happen if any one of the cells fails "open"?
- With the panel's cells wired together for maximum output voltage, what will happen if any one of the cells fails "shorted"?

7.1.6 Measuring voltage in a series circuit

Identify which numbered terminals you could contact with a voltmeter's test leads to measure voltage across each of the three resistors in this series circuit, one resistor at a time. Be sure to specify which terminal the meter's red lead should contact, versus which terminal the meter's black lead should contact, in order to ensure a *positive* reading:



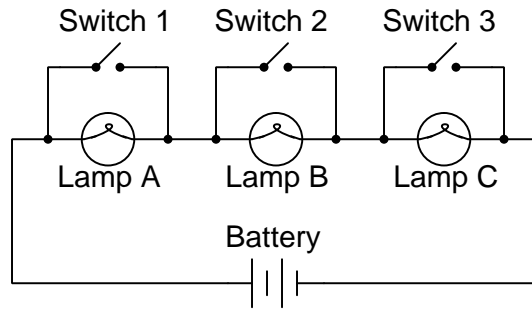
Note: multiple correct answers exist for every voltage measurement in this circuit!

Challenges

- Identify which terminals to touch with the voltmeter probes to measure the combined voltage across R_1 and R_2 .
- Identify which terminals to touch with the voltmeter probes to measure the combined voltage across R_2 and R_3 .
- Predict the effects of resistor R_1 failing open.
- Predict the effects of resistor R_2 failing open.
- Predict the effects of resistor R_3 failing open.
- Predict the effects of resistor R_1 failing shorted.
- Predict the effects of resistor R_2 failing shorted.
- Predict the effects of resistor R_3 failing shorted.

7.1.7 Series lamp circuit with switches

Three incandescent lamps are wired in series with each other, each lamp having its own “bypass” switch wired around it. With all three bypass switches in the “open” state (as shown), the three lamps glow dimly:



Describe the effects of closing switch 2, while leaving switches 1 and 3 open.

Describe the effects of closing switches 1 and 2, while leaving switch 3 open.

Describe the effects of closing switches 1 and 3, while leaving switch 2 open.

Describe the effects of closing all three switches.

Challenges

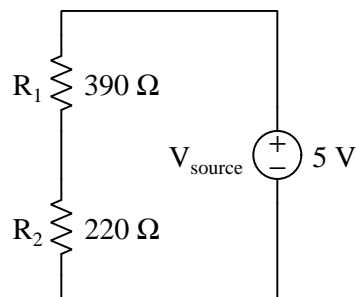
- Choose a good location for a *fuse* to protect this circuit’s conductors from overcurrent.
- Which combination of switch states results in the battery becoming depleted fastest?
- Which combination of switch states results in the circuit exhibiting maximum resistance?
- Identify how a second battery could be installed in the circuit to make the lamps glow brighter than they do now.

7.1.8 Explaining the meaning of calculations

An unfortunate tendency among beginning students in any quantitative discipline is to perform calculations without regard for the real-world meanings of the values, and also to follow mathematical formulae without considering the general principles embodied in each. To ignore concepts while performing calculations is a serious error for a variety of reasons, not the least of which being an increased likelihood of computing results that turn out to be nonsense.

In the spirit of honoring concepts, I present to you a quantitative problem where all the calculations have been done for you, but all variable labels, units, and other identifying data have been stripped away. Your task is to *assign proper meaning* to each of the numbers, identify the correct unit of measurement in each case, apply any appropriate metric prefixes to those values, explain the significance of each value by describing where it “fits” into the circuit being analyzed, and identify the general principle employed at each step.

Here is the schematic diagram of the series circuit:



Here are all the calculations performed in order from first to last:

1. $390 + 220 = 610$
2. $\frac{5}{610} = 8.197 \times 10^{-3}$
3. $(390) \times (8.197 \times 10^{-3}) = 3.197$
4. $(220) \times (8.197 \times 10^{-3}) = 1.803$
5. $3.197 + 1.803 = 5$
6. $(3.197) \times (8.197 \times 10^{-3}) = 26.202 \times 10^{-3}$
7. $(1.803) \times (8.197 \times 10^{-3}) = 14.781 \times 10^{-3}$
8. $\frac{5^2}{610} = 40.984 \times 10^{-3}$
9. $(26.202 \times 10^{-3}) + (14.781 \times 10^{-3}) = 40.984 \times 10^{-3}$

Explain what each value means in the circuit, identify its unit of measurement and appropriate metric prefix, and identify the general principle used to compute it!

Challenges

- Explain how you can check your own thinking as you solve quantitative problems, to avoid the dilemma of just “crunching numbers” to get an answer.
- For each calculated step shown, identify the physical Law or electric circuit principle being applied.
- Identify any of the calculations shown above whose order could be changed. In other words, can this problem be solved in a different order?
- Identify any of the calculations shown above that are not strictly necessary to the complete analysis of the circuit, explaining why it has any merit at all.
- Do you see any alternative paths to a solution, involving specific calculations not shown above?
- When performing addition or subtraction on physical quantities, all units of measurement must be identical. Identify where you see this principle being applied in the steps above.

7.2 Quantitative reasoning

These questions are designed to stimulate your computational thinking. In a Socratic discussion with your instructor, the goal is for these questions to reveal your mathematical approach(es) to problem-solving so that good technique and sound reasoning may be reinforced. Your instructor may also pose additional questions based on those assigned, in order to observe your problem-solving firsthand.

Mental arithmetic and estimations are strongly encouraged for all calculations, because without these abilities you will be unable to readily detect errors caused by calculator misuse (e.g. keystroke errors).

You will note a conspicuous lack of answers given for these quantitative questions. Unlike standard textbooks where answers to every other question are given somewhere toward the back of the book, here in these learning modules students must rely on other means to check their work. My advice is to use circuit simulation software such as SPICE to check the correctness of quantitative answers. Refer to those learning modules within this collection focusing on SPICE to see worked examples which you may use directly as practice problems for your own study, and/or as templates you may modify to run your own analyses and generate your own practice problems.

Completely worked example problems found in the Tutorial may also serve as “test cases⁴” for gaining proficiency in the use of circuit simulation software, and then once that proficiency is gained you will never need to rely⁵ on an answer key!

⁴In other words, set up the circuit simulation software to analyze the same circuit examples found in the Tutorial. If the simulated results match the answers shown in the Tutorial, it confirms the simulation has properly run. If the simulated results disagree with the Tutorial’s answers, something has been set up incorrectly in the simulation software. Using every Tutorial as practice in this way will quickly develop proficiency in the use of circuit simulation software.

⁵This approach is perfectly in keeping with the instructional philosophy of these learning modules: *teaching students to be self-sufficient thinkers*. Answer keys can be useful, but it is even more useful to your long-term success to have a set of tools on hand for checking your own work, because once you have left school and are on your own, there will no longer be “answer keys” available for the problems you will have to solve.

7.2.1 Miscellaneous physical constants

Note: constants shown in **bold** type are *exact*, not approximations. Values inside of parentheses show one standard deviation (σ) of uncertainty in the final digits: for example, the magnetic permeability of free space value given as $1.25663706212(19) \times 10^{-6}$ H/m represents a center value (i.e. the location parameter) of $1.25663706212 \times 10^{-6}$ Henrys per meter with one standard deviation of uncertainty equal to $0.0000000000019 \times 10^{-6}$ Henrys per meter.

Avogadro's number (N_A) = **6.02214076** $\times 10^{23}$ **per mole** (mol⁻¹)

Boltzmann's constant (k) = **1.380649** $\times 10^{-23}$ **Joules per Kelvin** (J/K)

Electronic charge (e) = **1.602176634** $\times 10^{-19}$ **Coulomb** (C)

Faraday constant (F) = **96,485.33212...** $\times 10^4$ **Coulombs per mole** (C/mol)

Magnetic permeability of free space (μ_0) = $1.25663706212(19) \times 10^{-6}$ Henrys per meter (H/m)

Electric permittivity of free space (ϵ_0) = $8.8541878128(13) \times 10^{-12}$ Farads per meter (F/m)

Characteristic impedance of free space (Z_0) = $376.730313668(57)$ Ohms (Ω)

Gravitational constant (G) = $6.67430(15) \times 10^{-11}$ cubic meters per kilogram-seconds squared (m³/kg-s²)

Molar gas constant (R) = **8.314462618...** **Joules per mole-Kelvin** (J/mol-K) = 0.08205746(14) liters-atmospheres per mole-Kelvin

Planck constant (h) = **6.62607015** $\times 10^{-34}$ **joule-seconds** (J-s)

Stefan-Boltzmann constant (σ) = **5.670374419...** $\times 10^{-8}$ **Watts per square meter-Kelvin⁴** (W/m²·K⁴)

Speed of light in a vacuum (c) = **299,792,458 meters per second** (m/s) = 186282.4 miles per second (mi/s)

Note: All constants taken from NIST data "Fundamental Physical Constants – Complete Listing", from <http://physics.nist.gov/constants>, National Institute of Standards and Technology (NIST), 2018 CODATA Adjustment.

7.2.2 Introduction to spreadsheets

A powerful computational tool you are encouraged to use in your work is a *spreadsheet*. Available on most personal computers (e.g. Microsoft Excel), *spreadsheet* software performs numerical calculations based on number values and formulae entered into cells of a grid. This grid is typically arranged as lettered columns and numbered rows, with each cell of the grid identified by its column/row coordinates (e.g. cell B3, cell A8). Each cell may contain a string of text, a number value, or a mathematical formula. The spreadsheet automatically updates the results of all mathematical formulae whenever the entered number values are changed. This means it is possible to set up a spreadsheet to perform a series of calculations on entered data, and those calculations will be re-done by the computer any time the data points are edited in any way.

For example, the following spreadsheet calculates average speed based on entered values of distance traveled and time elapsed:

	A	B	C	D
1	Distance traveled	46.9	Kilometers	
2	Time elapsed	1.18	Hours	
3	Average speed	= B1 / B2	km/h	
4				
5				

Text labels contained in cells A1 through A3 and cells C1 through C3 exist solely for readability and are not involved in any calculations. Cell B1 contains a sample distance value while cell B2 contains a sample time value. The formula for computing speed is contained in cell B3. Note how this formula begins with an “equals” symbol (=), references the values for distance and speed by lettered column and numbered row coordinates (B1 and B2), and uses a forward slash symbol for division (/). The coordinates B1 and B2 function as *variables*⁶ would in an algebraic formula.

When this spreadsheet is executed, the numerical value 39.74576 will appear in cell B3 rather than the formula = B1 / B2, because 39.74576 is the computed speed value given 46.9 kilometers traveled over a period of 1.18 hours. If a different numerical value for distance is entered into cell B1 or a different value for time is entered into cell B2, cell B3’s value will automatically update. All you need to do is set up the given values and any formulae into the spreadsheet, and the computer will do all the calculations for you.

Cell B3 may be referenced by other formulae in the spreadsheet if desired, since it is a variable just like the given values contained in B1 and B2. This means it is possible to set up an entire chain of calculations, one dependent on the result of another, in order to arrive at a final value. The arrangement of the given data and formulae need not follow any pattern on the grid, which means you may place them anywhere.

⁶Spreadsheets may also provide means to attach text labels to cells for use as variable names (Microsoft Excel simply calls these labels “names”), but for simple spreadsheets such as those shown here it’s usually easier just to use the standard coordinate naming for each cell.

Common⁷ arithmetic operations available for your use in a spreadsheet include the following:

- Addition (+)
- Subtraction (-)
- Multiplication (*)
- Division (/)
- Powers (^)
- Square roots (sqrt())
- Logarithms (ln() , log10())

Parentheses may be used to ensure⁸ proper order of operations within a complex formula. Consider this example of a spreadsheet implementing the *quadratic formula*, used to solve for roots of a polynomial expression in the form of $ax^2 + bx + c$:

$$x = \frac{-b \pm \sqrt{b^2 - 4ac}}{2a}$$

	A	B
1	x_1	= (-B4 + sqrt((B4^2) - (4*B3*B5))) / (2*B3)
2	x_2	= (-B4 - sqrt((B4^2) - (4*B3*B5))) / (2*B3)
3	a =	9
4	b =	5
5	c =	-2

This example is configured to compute roots⁹ of the polynomial $9x^2 + 5x - 2$ because the values of 9, 5, and -2 have been inserted into cells B3, B4, and B5, respectively. Once this spreadsheet has been built, though, it may be used to calculate the roots of *any* second-degree polynomial expression simply by entering the new a , b , and c coefficients into cells B3 through B5. The numerical values appearing in cells B1 and B2 will be automatically updated by the computer immediately following any changes made to the coefficients.

⁷Modern spreadsheet software offers a bewildering array of mathematical functions you may use in your computations. I recommend you consult the documentation for your particular spreadsheet for information on operations other than those listed here.

⁸Spreadsheet programs, like text-based programming languages, are designed to follow standard order of operations by default. However, my personal preference is to use parentheses even where strictly unnecessary just to make it clear to any other person viewing the formula what the intended order of operations is.

⁹Reviewing some algebra here, a *root* is a value for x that yields an overall value of zero for the polynomial. For this polynomial ($9x^2 + 5x - 2$) the two roots happen to be $x = 0.269381$ and $x = -0.82494$, with these values displayed in cells B1 and B2, respectively upon execution of the spreadsheet.

Alternatively, one could break up the long quadratic formula into smaller pieces like this:

$$y = \sqrt{b^2 - 4ac} \quad z = 2a$$

$$x = \frac{-b \pm y}{z}$$

	A	B	C
1	x_1	= (-B4 + C1) / C2	= sqrt((B4^2) - (4*B3*B5))
2	x_2	= (-B4 - C1) / C2	= 2*B3
3	a =	9	
4	b =	5	
5	c =	-2	

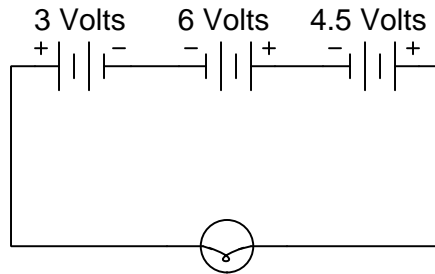
Note how the square-root term (y) is calculated in cell C1, and the denominator term (z) in cell C2. This makes the two final formulae (in cells B1 and B2) simpler to interpret. The positioning of all these cells on the grid is completely arbitrary¹⁰ – all that matters is that they properly reference each other in the formulae.

Spreadsheets are particularly useful for situations where the same set of calculations representing a circuit or other system must be repeated for different initial conditions. The power of a spreadsheet is that it automates what would otherwise be a tedious set of calculations. One specific application of this is to simulate the effects of various components within a circuit failing with abnormal values (e.g. a shorted resistor simulated by making its value nearly zero; an open resistor simulated by making its value extremely large). Another application is analyzing the behavior of a circuit design given new components that are out of specification, and/or aging components experiencing drift over time.

¹⁰My personal preference is to locate all the “given” data in the upper-left cells of the spreadsheet grid (each data point flanked by a sensible name in the cell to the left and units of measurement in the cell to the right as illustrated in the first distance/time spreadsheet example), sometimes coloring them in order to clearly distinguish which cells contain entered data versus which cells contain computed results from formulae. I like to place all formulae in cells below the given data, and try to arrange them in logical order so that anyone examining my spreadsheet will be able to figure out *how* I constructed a solution. This is a general principle I believe all computer programmers should follow: *document and arrange your code to make it easy for other people to learn from it.*

7.2.3 Three-battery, one-lamp circuit

How much voltage does the lamp experience in this circuit? Explain your answer.



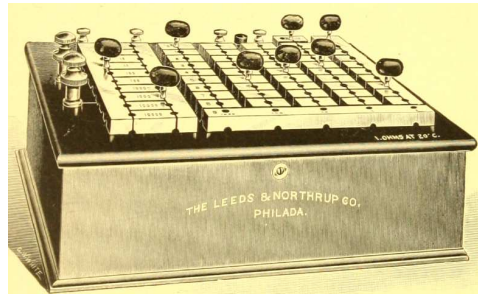
Also, identify the polarity of the voltage across the lamp (mark with “+” and “-” signs), and sketch arrows showing the direction of current through the lamp.

Challenges

- Describe how to re-connect these three sources to achieve the brightest possible operation of the lamp.
- Describe how to re-connect these three sources to reduce the lamp’s voltage by 3 Volts.
- Describe how to re-connect these three sources to achieve the dimmest possible operation of the lamp.

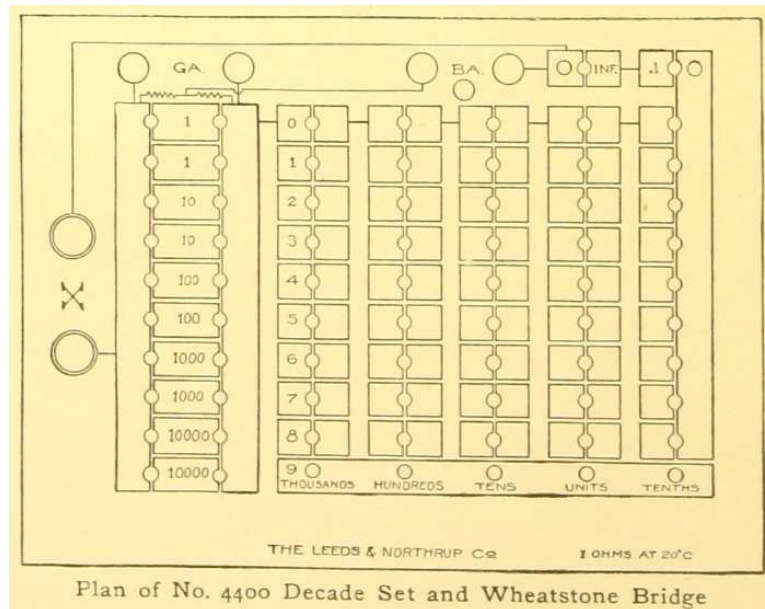
7.2.4 Leeds & Northrup resistance box design

The Louisiana Purchase Exposition, also known as the St. Louis World's Fair, was held from 30 April to 1 December 1904 in the city of St. Louis, Missouri. At this exposition many manufacturers showcased their products, including a manufacturer of precision electrical testing equipment called Leeds & Northrup. Their catalog for that Exposition showed details of various electrical instruments including a “resistance box” shown here:

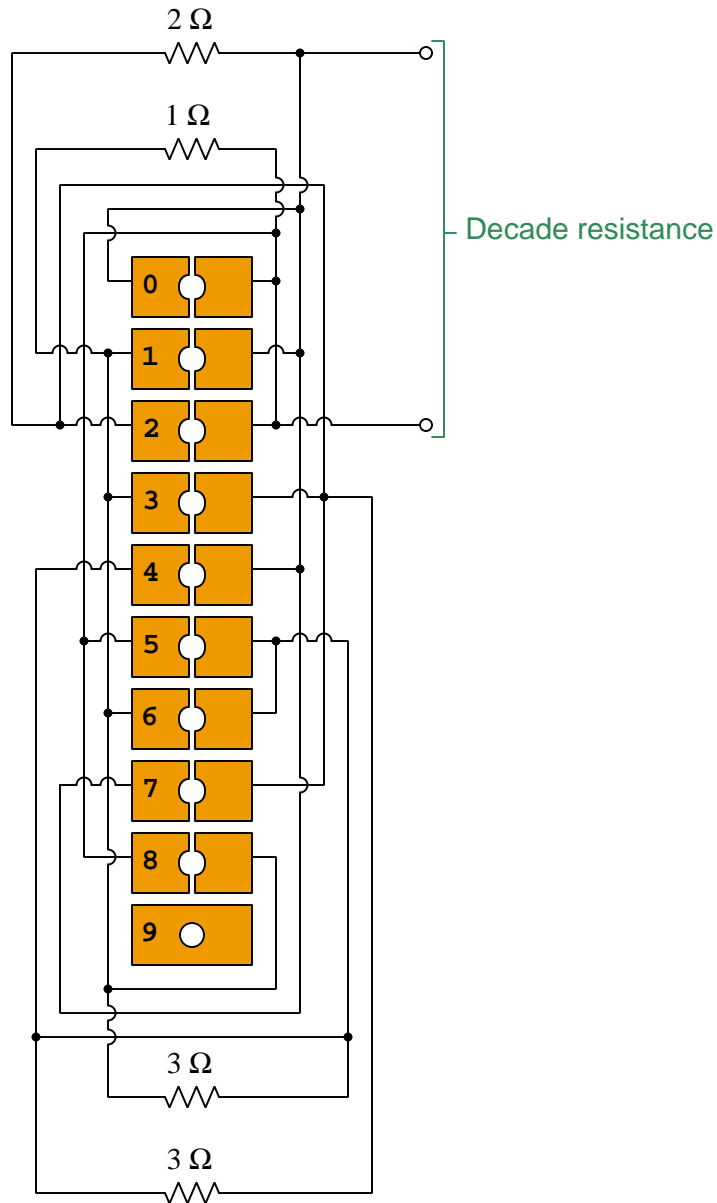


Brass plugs inserted into sockets connecting heavy brass blocks together formed manual switching contacts used to connect the box's internal precision resistors in various configurations for different amounts of resistance. In the illustration shown above we see five “decades” of plugs and sockets allowing for as much as 9,999.9 Ohms of resistance to be selected in increments of 0.1 Ohm.

Another illustration shows a top view of this resistance box, with the five decades clearly visible in the form of ten rows of sockets labeled 0 through 9 and five columns of sockets for thousands, hundreds, tens, units, and tenths:



The following schematic diagram shows the wire connections between the brass block-halves and four resistors (1 Ohm, 2 Ohms, and two 3 Ohm resistors) necessary for just one of the five decades of resistance offered by this resistance box:



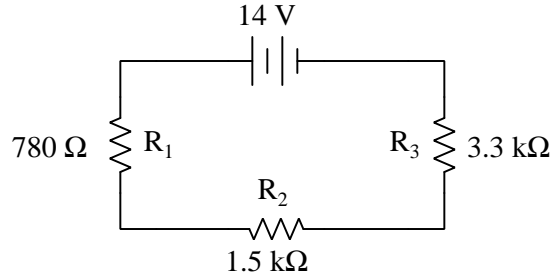
Identify how inserting a brass plug into one of these sockets (at a time) results in 0, 1, 2, 3, 4, 5, 6, 7, 8, or 9 Ohms of resistance for this “decade” network.

Challenges

- A label on the top of this box says “1 Ohms at 20 °C. Why do you suppose temperature is relevant to the performance of this instrument?”
- What would be different about the other four decade resistor networks?

7.2.5 VIRP table for a three-resistor series circuit

Complete the table of voltage, current, resistance, and power values (V , I , R , and P) for the circuit shown:



	R1	R2	R3	Total
V				14 V
I				
R	780 Ω	1.5 k Ω	3.3 k Ω	
P				

Also, show how you may double-check your work without necessarily using a calculator (i.e. use “mental math” and estimation techniques).

Challenges

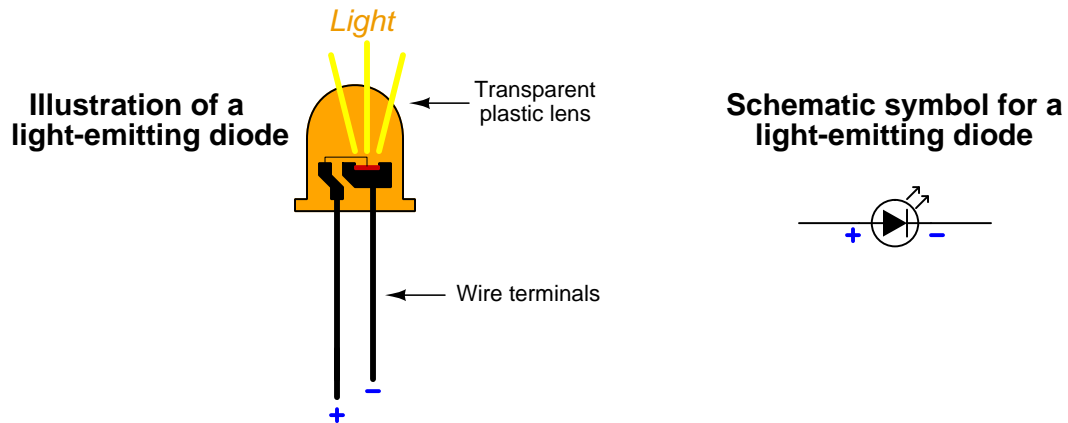
- Identify the effects of any single resistor failing open.
- Identify the effects of any single resistor failing shorted.
- Identify an alteration one could make to this circuit to increase the current, without changing anything about the source.
- Identify an alteration one could make to this circuit to decrease resistor R_2 's voltage.
- Identify an alteration one could make to this circuit to increase resistor R_1 's voltage.
- Identify which data represented in this table illustrate a general principle of series circuits.
- Identify which data represented in this table illustrate the *Law of Energy Conservation* in action.
- Identify which data represented in this table illustrate the *Law of Electric Charge Conservation* in action.

7.2.6 Solving for a series resistance

A four-resistor series network contains a $10\text{ k}\Omega$ resistor, a $5.1\text{ k}\Omega$ resistor, a $3.9\text{ k}\Omega$ resistor, and a fourth resistor with an undecided value. Calculate the necessary resistance value for this fourth resistor to give the entire series network a resistance value of $25.7\text{ k}\Omega$.

7.2.7 Series dropping resistor for an LED

Light-emitting diodes¹¹, or *LEDs*, are rugged and highly efficient sources of light. They are far more rugged and efficient than incandescent lamps, and they also have the ability to switch on and off much faster because there is no filament inside needing to heat or cool:



LEDs are low voltage devices, typically rated in the range of 1.5 to 2 Volts DC maximum. Single LEDs generally draw low amounts of current as well, 20 milliAmperes being typical. This presents a problem, as many electronic circuits utilize power supply voltages well in excess of an LED's maximum rating. How then may we operate an LED from a typical electronic power source, which may output 5 Volts DC or more, without damaging the LED?

The answer to this question is to use a *series dropping resistor* connected in-line with the LED. The resistor must be properly sized such that it will drop the remainder of the power supply's voltage while allowing the LED to receive the proper amount of voltage to function.

First, draw a diagram of a circuit composed of a voltage source, an LED, and a dropping resistor. Then, calculate the proper resistance value needed for this dropping resistor (R) as well as determine the resistor's minimum power rating. Assume you may select a resistor with any resistance value desired, but the only available power ratings are $\frac{1}{8}$ Watt, $\frac{1}{4}$ Watt, $\frac{1}{2}$ Watt, 1 Watt, and 2 Watts.

- $V_{LED} = 1.7 \text{ V}$; $I_{LED} = 20 \text{ mA}$; $V_{supply} = 15 \text{ V}$; $R =$; Power rating =
- $V_{LED} = 1.6 \text{ V}$; $I_{LED} = 20 \text{ mA}$; $V_{supply} = 28 \text{ V}$; $R =$; Power rating =
- $V_{LED} = 1.5 \text{ V}$; $I_{LED} = 25 \text{ mA}$; $V_{supply} = 35 \text{ V}$; $R =$; Power rating =
- $V_{LED} = 1.9 \text{ V}$; $I_{LED} = 30 \text{ mA}$; $V_{supply} = 17 \text{ V}$; $R =$; Power rating =
- $V_{LED} = 1.6 \text{ V}$; $I_{LED} = 20 \text{ mA}$; $V_{supply} = 5.5 \text{ V}$; $R =$; Power rating =

¹¹A *diode* is an electronic device made of semiconducting material, which only permits current to pass through it in one direction (if connected "backwards" it will function as an "open" and pass negligible current). *Light-emitting diodes* exhibit the same unidirectional behavior, but also happen to emit light when passing current.

Challenges

- A very common mistake among students is to attempt to calculate the dropping resistor's necessary resistance by dividing the power supply voltage by the LED's current. Explain why this is an incorrect method, and whether it yields a resistance value that is too small or too large.
- Describe the consequence(s) of using a dropping resistor with a power rating less than the amount of power it dissipates while performing its function.
- Describe the consequence(s) of using a dropping resistor with a power rating far more than the amount of power it dissipates while performing its function.
- Describe the consequence(s) of connecting an LED backwards in the circuit.
- Suppose you determined the power dissipated by your LED circuit's dropping resistor was 0.778 Watts, but all you had on hand were $\frac{1}{2}$ Watt resistors. Explain how it would be possible to use multiple series-connected resistors (each one rated at $\frac{1}{2}$ Watt) to accomplish the goal.

7.2.8 Electric heater and extension cord

An electric heater outputs 1000 Watts of thermal power when connected directly to a 120 Volt AC power source. However, when receiving source voltage through a long extension cord, it is determined that the heater only outputs 980 Watts of thermal power.

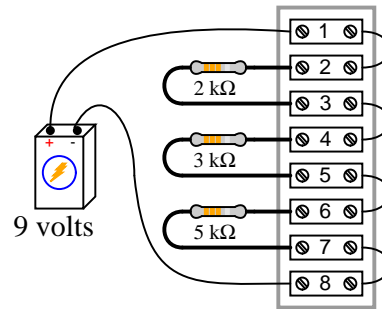
Calculate the total amount of electrical resistance within the extension cord, explaining every step of your problem-solving procedure.

Challenges

- Explain why this problem is appropriate for the study of *series* circuits.
- How much voltage is there across the heating element itself while receiving power through this extension cord?
- Would this scenario be any different if the voltage source were DC rather than AC?

7.2.9 Voltage divider circuit

The circuit shown below is commonly referred to as a *voltage divider*. Calculate the voltage dropped across the following pairs of terminals, the current through each resistor, and the total amount of electrical resistance “seen” by the 9-Volt battery:



- Voltage between terminals 2 and 3 =
- Voltage between terminals 4 and 5 =
- Voltage between terminals 6 and 7 =
- Voltage between terminals 6 and 8 =
- Voltage between terminals 4 and 8 =
- Voltage between terminals 2 and 8 =
- Current through each resistor =
- R_{total} =

Why do you suppose this circuit is referred to as a voltage *divider*?

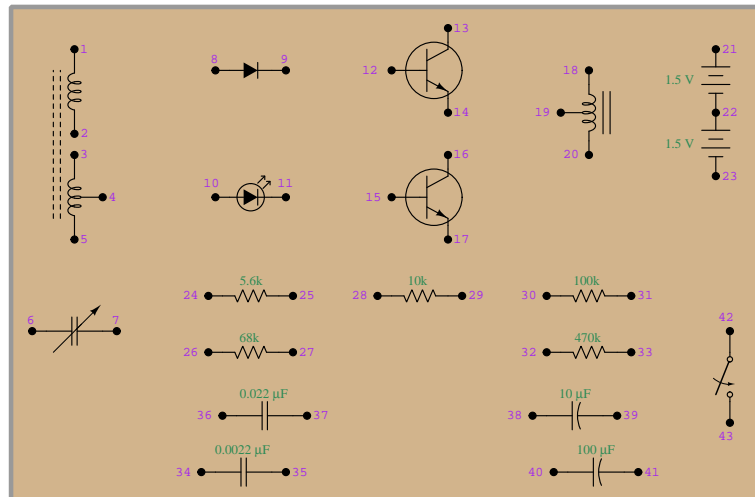
How would these values change (if at all) if the 9 Volt battery were replaced by an 18 Volt battery?

Challenges

- A helpful problem-solving technique when given a circuit in pictorial form is to re-draw that circuit in *schematic* form so that it is easier to analyze. Do so for this circuit, showing the proper placement of all the terminal numbers in the circuit.
- Suppose we needed a voltage divider circuit to take the source voltage and divide it into halves. Sketch a circuit diagram showing such a voltage divider.
- Suppose we needed a voltage divider circuit to take the source voltage and divide it into thirds. Sketch a circuit diagram showing such a voltage divider.

7.2.10 Voltage divider built using a Radio Shack 30-in-one kit

Decades ago a series of experimenter kits were sold by Radio Shack where components were fixed to a cardboard panel and connections between them made using lengths of hook-up wire inserted into spring clips at each component terminal. Each of these spring clips bore a unique identifying number, which meant circuit configurations could be documented via a “Wiring sequence” calling out which of the spring clips needed to be made electrically common to each other.



Sketch wires connecting the terminals specified in the following wiring sequence, and then calculate each of the listed voltages. Be sure to state the mathematical sign of each voltage measurement, assuming the first subscript is the terminal where the voltmeter’s red lead touches and the second subscript is for the black test lead:

Wiring sequence: 21-24, 25-28, 29-27, 26-23

- $V_{28-29} =$
- $V_{26-27} =$
- $V_{24-25} =$

Challenges

- What are the properties of series resistor networks?

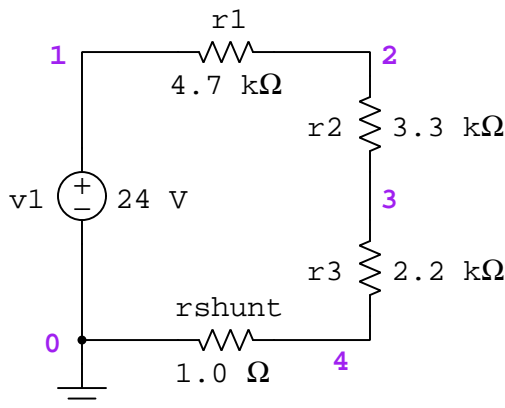
7.2.11 Interpreting a SPICE analysis

A computer program called SPICE was developed in the early 1970's, whereby a text-based description of an electric circuit (called a *netlist*) could be entered into a computer, and then computer would be directed to apply fundamental laws of electric circuits to the netlist circuit description according to algorithms coded in SPICE.

Here is a netlist text for a four-resistor series circuit powered by a DC voltage source:

```
* Four-resistor series DC circuit
v1 1 0 dc 24
r1 1 2 4700
r2 2 3 3300
r3 3 4 2200
rshunt 4 0 1.0
.dc v1 24 24 1
.print dc v(1,2) v(2,3) v(3,4)
.print dc v(4,0) i(v1)
.end
```

One of the fundamental concepts in SPICE programming is that connections between components in the virtual circuit to be analyzed are specified by identifying *node* numbers. All points in the circuit known to be equipotential must bear the same number. In this particular example, the only nodes in existence are 0 through 4. SPICE always assumes that node 0 is “ground” (i.e. a common point of reference for default voltage measurements). The following schematic diagram¹² shows one possible interpretation of this SPICE netlist, with each of the nodes numbered:



Identify how each component's connecting nodes and essential parameters (i.e. values) are specified in the netlist. Based on the what you can identify in this netlist, perform your own calculations using Ohm's Law to predict all other values in this circuit.

¹²A recommended procedure to follow when generating your own SPICE netlist is to start with a schematic diagram, numbered each and every connecting wire in the circuit, with every equipotential point bearing the same node number. Once all nodes have been identified and numbered, it becomes easy to write each component line of the netlist.

When SPICE (software version 2G6) processes the contents of this “netlist” file, it outputs a text description of the analysis. The following text has been edited for clarity (e.g. blank lines, extraneous characters, and statistical data removed):

v1	v(1,2)	v(2,3)	v(3,4)
2.400E+01	1.106E+01	7.764E+00	5.176E+00

v1	v(4)	i(v1)
2.400E+01	2.353E-03	-2.353E-03

Interpret the output of SPICE to the best of your ability. Identify all parameters that you can, and see if the results of the computer’s analysis agree with your own calculations.

Once you become familiar with the analysis data format of SPICE, you will be able to use the “Gallery” of SPICE simulations found in the “*SPICE Modeling of Resistor Circuits*” module as practice problems for developing your own circuit analysis skills.

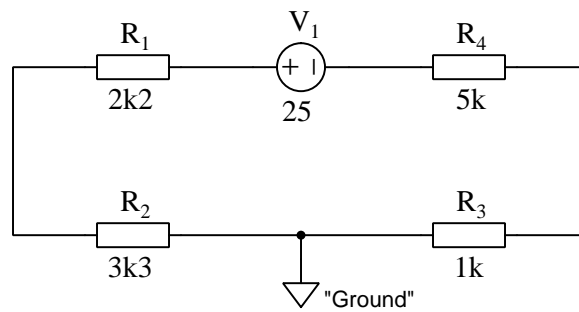
Challenges

- SPICE utilizes *power-of-ten* notation for small and large values. The standard representation of this in a plain-text format is a capital letter E followed by the power value. Identify any such figures in the SPICE output listing, and express them in regular decimal notation.
- Explain the purpose of having a “shunt” resistor in this circuit, and also why its resistance value is so low compared to the other resistor values.
- Modify this SPICE netlist to utilize a voltage source with a value of 6 Volts instead of 24 Volts.
- Modify this SPICE netlist to specify resistor R_1 ’s resistance using scientific (power-of-ten) notation.
- Modify this SPICE netlist to specify resistor R_1 ’s resistance using metric prefix (“kilo”) notation.

7.2.12 Using SPICE to analyze a series circuit

A computer program called SPICE was developed in the early 1970's, whereby a text-based description of an electric circuit (called a *netlist*) could be entered into a computer, and then computer would be directed to apply fundamental laws of electric circuits to the netlist circuit description according to algorithms coded in SPICE.

Write a netlist and perform a SPICE analysis on the following four-resistor circuit (this particular schematic utilizing European-style component symbols), instructing the computer to calculate voltage dropped by each of the four resistors, as well as the voltage dropped between the source's negative terminal and Ground:



Note: one of the most compelling reasons for beginning students of electronics to learn how to perform computer simulations of simple DC circuits is so they will be able to make their own practice problems for circuit analysis. If you learn to use SPICE as a tool, you will never lack for having practice problems!

7.3 Diagnostic reasoning

These questions are designed to stimulate your deductive and inductive thinking, where you must apply general principles to specific scenarios (deductive) and also derive conclusions about the failed circuit from specific details (inductive). In a Socratic discussion with your instructor, the goal is for these questions to reinforce your recall and use of general circuit principles and also challenge your ability to integrate multiple symptoms into a sensible explanation of what's wrong in a circuit. Your instructor may also pose additional questions based on those assigned, in order to further challenge and sharpen your diagnostic abilities.

As always, your goal is to fully *explain* your analysis of each problem. Simply obtaining a correct answer is not good enough – you must also demonstrate sound reasoning in order to successfully complete the assignment. Your instructor's responsibility is to probe and challenge your understanding of the relevant principles and analytical processes in order to ensure you have a strong foundation upon which to build further understanding.

You will note a conspicuous lack of answers given for these diagnostic questions. Unlike standard textbooks where answers to every other question are given somewhere toward the back of the book, here in these learning modules students must rely on other means to check their work. The best way by far is to debate the answers with fellow students and also with the instructor during the Socratic dialogue sessions intended to be used with these learning modules. Reasoning through challenging questions with other people is an excellent tool for developing strong reasoning skills.

Another means of checking your diagnostic answers, where applicable, is to use circuit simulation software to explore the effects of faults placed in circuits. For example, if one of these diagnostic questions requires that you predict the effect of an open or a short in a circuit, you may check the validity of your work by simulating that same fault (substituting a very high resistance in place of that component for an open, and substituting a very low resistance for a short) within software and seeing if the results agree.

7.3.1 Interpreting a voltmeter measurement

Suppose a technician uses a voltmeter to measure 0.00 Volts between two test points in a circuit. Identify which (if any) of the following statements are true, based on this one measurement:

1. Those test points are directly connected together by low resistance (i.e. they are “electrically common” or “shorted” to each other).
2. Those test points are connected together by high resistance.
3. Those test points are not connected at all, but actually are completely insulated from each other.
4. The circuit’s power source is dead.

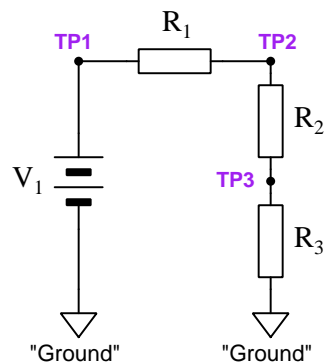
Now suppose you happened to know that those two test points in the circuit are supposed to have 12.6 Volts between them, which is the normal operating voltage of the circuit’s only source. Does this information alter any of your conclusions about the 0.00 Volt meter reading? Why or why not?

Challenges

- Sketch a complete diagram of a simple circuit, identifying two points within it that would normally have 12.6 Volts between them but due to a fault that you propose now have 0.00 Volts between them.

7.3.2 Faults in a three-resistor circuit

Examine this schematic diagram of a three-resistor circuit, drawn using European component symbols, and also using a pair of “Ground”¹³ symbols to represent one of the conductive connections to the battery:



Predict how all branch currents (measured between the open jumper terminals after each jumper is temporarily removed) in this circuit will be affected as a result of the following faults. Consider each fault independently (i.e. one at a time, no coincidental faults):

- Resistor R_1 fails open:
- Resistor R_2 fails open:
- Resistor R_3 fails open:
- Solder bridge (short) past resistor R_1 :
- Solder bridge (short) past resistor R_2 :
- Solder bridge (short) past resistor R_3 :

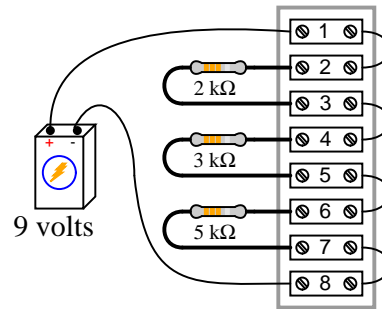
Challenges

- An appropriate problem-solving technique for qualitative (i.e. no numerical figures) problems such as this is to incorporate your own component values and use quantitative techniques to analyze. Identify some “easy” values you could apply to this circuit to convert it from a qualitative problem into a quantitative problem.
- Re-draw this circuit without using “ground” symbols.

¹³Here, “ground” does not literally refer to a connection to the Earth, but rather to a conductive surface or wire that is arbitrarily deemed the “reference” point or “ground-level” for electrical potential in this circuit. Any schematic diagram containing multiple “ground” symbols should be interpreted as those symbols being connected directly together by a wire.

7.3.3 Faulted voltage divider

Something has failed in this voltage divider circuit, because a digital multimeter (DMM) configured to measure voltage registers zero between terminals 6 and 7. Another voltmeter measurement yields 8.95 Volts between terminals 2 and 8:



Identify the likelihood of each specified fault for this circuit. Consider each fault one at a time (i.e. no coincidental faults), determining whether or not each fault is compatible with *all* measurements and symptoms in this circuit.

Fault	Possible	Impossible
2 kΩ resistor failed open		
3 kΩ resistor failed open		
5 kΩ resistor failed open		
2 kΩ resistor failed shorted		
3 kΩ resistor failed shorted		
5 kΩ resistor failed shorted		
Wire between terminals 1 and 2 failed open		
Wire between terminals 3 and 4 failed open		
Wire between terminals 5 and 6 failed open		
Wire between terminals 7 and 8 failed open		
9 Volt battery dead		

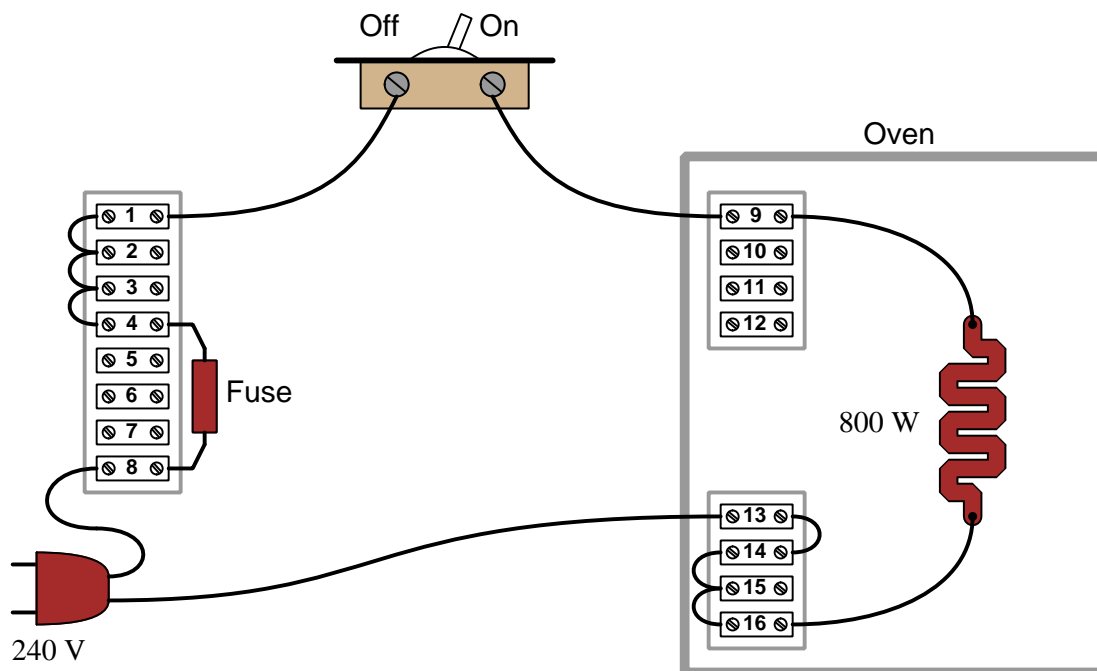
Challenges

- For each of the proposed fault, explain *why* you believe it is either possible or impossible.
- Are there any terminals in this circuit between which we would expect there to be zero voltage even with no fault in the circuit?

- Suppose the second voltage measurement (8.95 Volts between terminals 2 and 8) had not been taken yet at the time you were asked to determine possible/impossible faults in the given table. Would this lack of data have affected any of your choices? Why or why not?

7.3.4 Malfunctioning oven

This electric oven has a problem somewhere – with the switch “On” and the plug inserted into a 240 Volt power receptacle, it refuses to heat up. The fuse, which is supposed to automatically “open” to stop current if it becomes excessive, is rated at 5 Amperes:



Suppose a technician uses a digital multimeter (DMM) to measure voltage between the following pairs of terminals, in the order presented. Assume the plug is still inserted in the 240 Volt receptacle, and the switch is still in the “On” position:

1. Meter connected between 9 and 13 = 240 Volts
2. Meter connected between 9 and 15 = 240 Volts
3. Meter connected between 1 and 8 = 0 Volts
4. Meter connected between 4 and 13 = 240 Volts
5. Meter connected between 4 and 8 = 0 Volts
6. Meter connected between 4 and 1 = 0 Volts
7. Meter connected between 1 and 13 = 240 Volts

Identify what, if anything, each test (in order) proves about the nature and/or location of the fault.

Challenges

- Devise a more efficient set of tests to locate the fault.
- What circumstances might lead to the fuse “blowing” open?.
- Suppose someone told you the fuse’s terminals would be safe to touch with your finger because there should be negligible voltage dropped across an intact fuse. Explain why this is a misguided conclusion.

Chapter 8

Projects and Experiments

The following project and experiment descriptions outline things you can build to help you understand circuits. With any real-world project or experiment there exists the potential for physical harm. *Electricity can be very dangerous in certain circumstances, and you should follow proper safety precautions at all times!*

8.1 Recommended practices

This section outlines some recommended practices for all circuits you design and construct.

8.1.1 Safety first!

Electricity, when passed through the human body, causes uncomfortable sensations and in large enough measures¹ will cause muscles to involuntarily contract. The overriding of your nervous system by the passage of electrical current through your body is particularly dangerous in regard to your heart, which is a vital muscle. Very large amounts of current can produce serious internal burns in addition to all the other effects.

Cardio-pulmonary resuscitation (CPR) is the standard first-aid for any victim of electrical shock. This is a very good skill to acquire if you intend to work with others on dangerous electrical circuits. You should never perform tests or work on such circuits unless someone else is present who is proficient in CPR.

As a general rule, any voltage in excess of 30 Volts poses a definitive electric shock hazard, because beyond this level human skin does not have enough resistance to safely limit current through the body. “Live” work of any kind with circuits over 30 volts should be avoided, and if unavoidable should only be done using electrically insulated tools and other protective equipment (e.g. insulating shoes and gloves). If you are unsure of the hazards, or feel unsafe at any time, stop all work and distance yourself from the circuit!

A policy I strongly recommend for students learning about electricity is to *never come into electrical contact² with an energized conductor, no matter what the circuit’s voltage³ level!* Enforcing this policy may seem ridiculous when the circuit in question is powered by a single battery smaller than the palm of your hand, but it is precisely this instilled habit which will save a person from bodily harm when working with more dangerous circuits. Experience has taught me that students who learn early on to be careless with safe circuits have a tendency to be careless later with dangerous circuits!

In addition to the electrical hazards of shock and burns, the construction of projects and running of experiments often poses other hazards such as working with hand and power tools, potential

¹Professor Charles Dalziel published a research paper in 1961 called “The Deleterious Effects of Electric Shock” detailing the results of electric shock experiments with both human and animal subjects. The threshold of perception for human subjects holding a conductor in their hand was in the range of 1 milliamperes of current (less than this for alternating current, and generally less for female subjects than for male). Loss of muscular control was exhibited by half of Dalziel’s subjects at less than 10 milliamperes alternating current. Extreme pain, difficulty breathing, and loss of all muscular control occurred for over 99% of his subjects at direct currents less than 100 milliamperes and alternating currents less than 30 milliamperes. In summary, it doesn’t require much electric current to induce painful and even life-threatening effects in the human body! Your first and best protection against electric shock is maintaining an insulating barrier between your body and the circuit in question, such that current from that circuit will be unable to flow through your body.

²By “electrical contact” I mean either directly touching an energized conductor with any part of your body, or indirectly touching it through a conductive tool. The only physical contact you should ever make with an energized conductor is via an electrically insulated tool, for example a screwdriver with an electrically insulated handle, or an insulated test probe for some instrument.

³Another reason for consistently enforcing this policy, even on low-voltage circuits, is due to the dangers that even some low-voltage circuits harbor. A single 12 Volt automobile battery, for example, can cause a surprising amount of damage if short-circuited simply due to the high current levels (i.e. very low internal resistance) it is capable of, even though the voltage level is too low to cause a shock through the skin. Mechanics wearing metal rings, for example, are at risk from severe burns if their rings happen to short-circuit such a battery! Furthermore, even when working on circuits that are simply too low-power (low voltage and low current) to cause any bodily harm, touching them while energized can pose a threat to the circuit components themselves. In summary, it generally wise (and *always* a good habit to build) to “power down” *any* circuit before making contact between it and your body.

contact with high temperatures, potential chemical exposure, etc. You should never proceed with a project or experiment if you are unaware of proper tool use or lack basic protective measures (e.g. personal protective equipment such as safety glasses) against such hazards.

Some other safety-related practices should be followed as well:

- All power conductors extending outward from the project must be *firmly* strain-relieved (e.g. “cord grips” used on line power cords), so that an accidental tug or drop will not compromise circuit integrity.
- All electrical connections must be sound and appropriately made (e.g. soldered wire joints rather than twisted-and-taped; terminal blocks rather than solderless breadboards for high-current or high-voltage circuits). Use “touch-safe” terminal connections with recessed metal parts to minimize risk of accidental contact.
- Always provide overcurrent protection in any circuit you build. *Always*. This may be in the form of a fuse, a circuit breaker, and/or an electronically current-limited power supply.
- Always ensure circuit conductors are rated for more current than the overcurrent protection limit. *Always*. A fuse does no good if the wire or printed circuit board trace will “blow” before it does!
- Always bond metal enclosures to Earth ground for any line-powered circuit. *Always*. Ensuring an equipotential state between the enclosure and Earth by making the enclosure electrically common with Earth ground ensures no electric shock can occur simply by one’s body bridging between the Earth and the enclosure.
- Avoid building a high-energy circuit when a low-energy circuit will suffice. For example, I always recommend beginning students power their first DC resistor circuits using small batteries rather than with line-powered DC power supplies. The intrinsic energy limitations of a dry-cell battery make accidents highly unlikely.
- Use line power receptacles that are GFCI (Ground Fault Current Interrupting) to help avoid electric shock from making accidental contact with a “hot” line conductor.
- Always wear eye protection when working with tools or live systems having the potential to eject material into the air. Examples of such activities include soldering, drilling, grinding, cutting, wire stripping, working on or near energized circuits, etc.
- Always use a step-stool or stepladder to reach high places. Never stand on something not designed to support a human load.
- When in doubt, *ask an expert*. If anything even seems remotely unsafe to you, do not proceed without consulting a trusted person fully knowledgeable in electrical safety.

8.1.2 Other helpful tips

Experience has shown the following practices to be very helpful, especially when students make their own component selections, to ensure the circuits will be well-behaved:

- Avoid resistor values less than 1 k Ω or greater than 100 k Ω , unless such values are definitely necessary⁴. Resistances below 1 k Ω may draw excessive current if directly connected to a voltage source of significant magnitude, and may also complicate the task of accurately measuring current since any ammeter's non-zero resistance inserted in series with a low-value circuit resistor will significantly alter the total resistance and thereby skew the measurement. Resistances above 100 k Ω may complicate the task of measuring voltage since any voltmeter's finite resistance connected in parallel with a high-value circuit resistor will significantly alter the total resistance and thereby skew the measurement. Similarly, AC circuit impedance values should be between 1 k Ω and 100 k Ω , and for all the same reasons.
- Ensure all electrical connections are low-resistance and physically rugged. For this reason, one should avoid *compression splices* (e.g. "butt" connectors), solderless breadboards⁵, and wires that are simply twisted together.
- Build your circuit with **testing** in mind. For example, provide convenient connection points for test equipment (e.g. multimeters, oscilloscopes, signal generators, logic probes).
- Design permanent projects with **maintenance** in mind. The more convenient you make maintenance tasks, the more likely they will get done.
- **Always document and save your work.** Circuits lacking schematic diagrams are more difficult to troubleshoot than documented circuits. Similarly, circuit construction is simpler when a schematic diagram precedes construction. Experimental results are easier to interpret when comprehensively recorded. Consider modern videorecording technology for this purpose where appropriate.
- **Record your steps** when troubleshooting. **Talk to yourself** when solving problems. These simple steps clarify thought and simplify identification of errors.

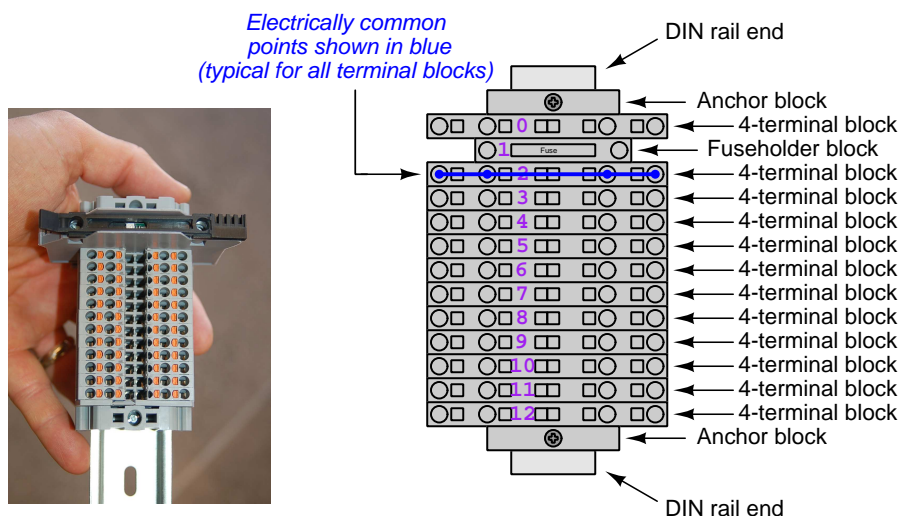
⁴An example of a necessary resistor value much less than 1 k Ω is a *shunt resistor* used to produce a small voltage drop for the purpose of sensing current in a circuit. Such shunt resistors must be low-value in order not to impose an undue load on the rest of the circuit. An example of a necessary resistor value much greater than 100 k Ω is an electrostatic *drain resistor* used to dissipate stored electric charges from body capacitance for the sake of preventing damage to sensitive semiconductor components, while also preventing a path for current that could be dangerous to the person (i.e. shock).

⁵Admittedly, solderless breadboards are very useful for constructing complex electronic circuits with many components, especially DIP-style integrated circuits (ICs), but they tend to give trouble with connection integrity after frequent use. An alternative for projects using low counts of ICs is to solder IC sockets into prototype printed circuit boards (PCBs) and run wires from the soldered pins of the IC sockets to terminal blocks where reliable temporary connections may be made.

8.1.3 Terminal blocks for circuit construction

Terminal blocks are the standard means for making electric circuit connections in industrial systems. They are also quite useful as a learning tool, and so I highly recommend their use in lieu of solderless breadboards⁶. Terminal blocks provide highly reliable connections capable of withstanding significant voltage and current magnitudes, and they force the builder to think very carefully about component layout which is an important mental practice. Terminal blocks that mount on standard 35 mm DIN rail⁷ are made in a wide range of types and sizes, some with built-in disconnecting switches, some with built-in components such as rectifying diodes and fuseholders, all of which facilitate practical circuit construction.

I recommend every student of electricity build their own terminal block array for use in constructing experimental circuits, consisting of several terminal blocks where each block has at least 4 connection points all electrically common to each other⁸ and at least one terminal block that is a fuse holder for overcurrent protection. A pair of anchoring blocks hold all terminal blocks securely on the DIN rail, preventing them from sliding off the rail. Each of the terminals should bear a number, starting from 0. An example is shown in the following photograph and illustration:



Screwless terminal blocks (using internal spring clips to clamp wire and component lead ends) are preferred over screw-based terminal blocks, as they reduce assembly and disassembly time, and also minimize repetitive wrist stress from twisting screwdrivers. Some screwless terminal blocks require the use of a special tool to release the spring clip, while others provide buttons⁹ for this task which may be pressed using the tip of any suitable tool.

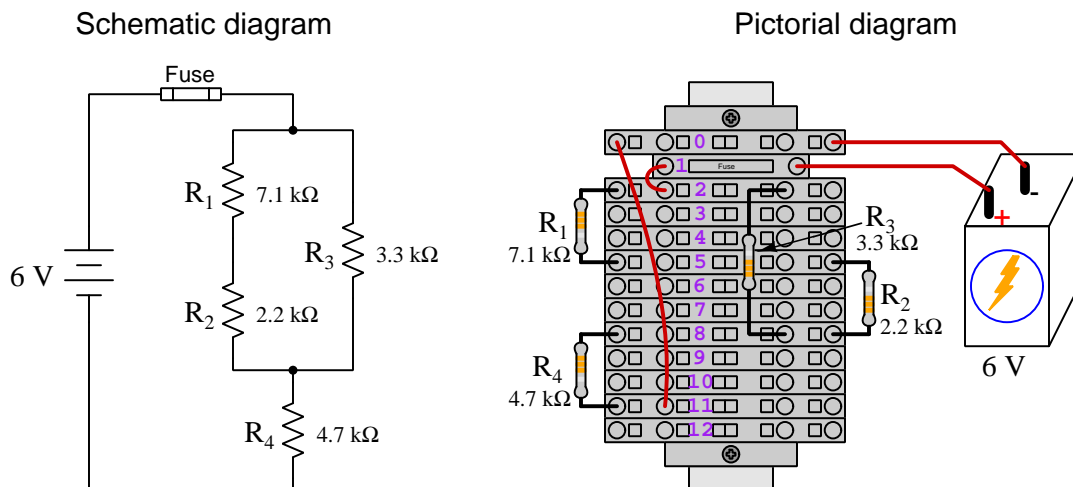
⁶Solderless breadboard are preferable for complicated electronic circuits with multiple integrated “chip” components, but for simpler circuits I find terminal blocks much more practical. An alternative to solderless breadboards for “chip” circuits is to solder chip sockets onto a PCB and then use wires to connect the socket pins to terminal blocks. This also accommodates *surface-mount* components, which solderless breadboards do not.

⁷DIN rail is a metal rail designed to serve as a mounting point for a wide range of electrical and electronic devices such as terminal blocks, fuses, circuit breakers, relay sockets, power supplies, data acquisition hardware, etc.

⁸Sometimes referred to as *equipotential*, *same-potential*, or *potential distribution* terminal blocks.

⁹The small orange-colored squares seen in the above photograph are buttons for this purpose, and may be actuated by pressing with any tool of suitable size.

The following example shows how such a terminal block array might be used to construct a series-parallel resistor circuit consisting of four resistors and a battery:



Numbering on the terminal blocks provides a very natural translation to SPICE¹⁰ netlists, where component connections are identified by terminal number:

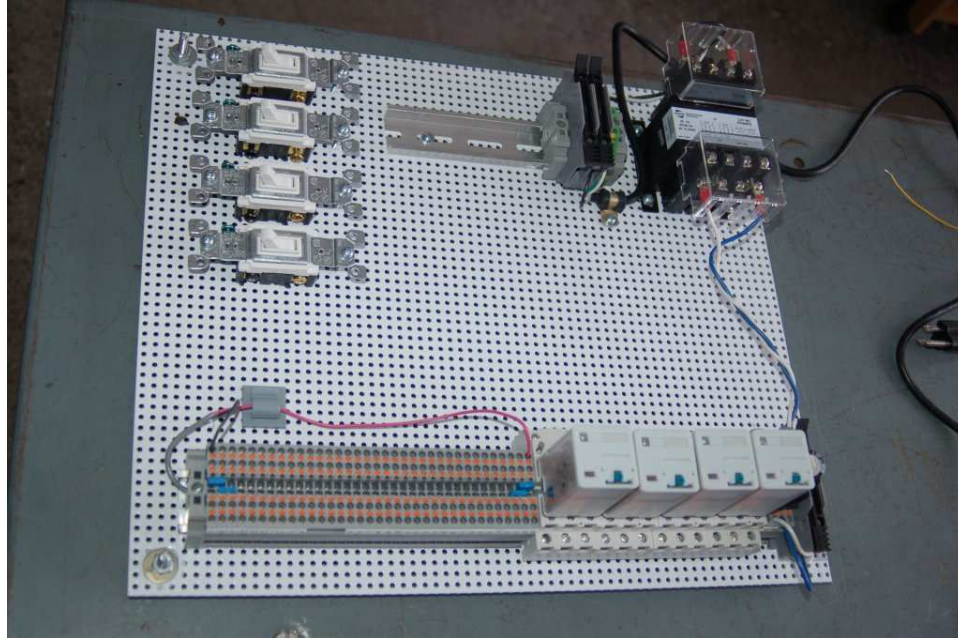
```
* Series-parallel resistor circuit
v1 1 0 dc 6
r1 2 5 7100
r2 5 8 2200
r3 2 8 3300
r4 8 11 4700
rjmp1 1 2 0.01
rjmp2 0 11 0.01
.op
.end
```

Note the use of “jumper” resistances `rjmp1` and `rjmp2` to describe the wire connections between terminals 1 and 2 and between terminals 0 and 11, respectively. Being resistances, SPICE requires a resistance value for each, and here we see they have both been set to an arbitrarily low value of 0.01 Ohm realistic for short pieces of wire.

Listing all components and wires along with their numbered terminals happens to be a useful documentation method for any circuit built on terminal blocks, independent of SPICE. Such a “wiring sequence” may be thought of as a *non-graphical description* of an electric circuit, and is exceptionally easy to follow.

¹⁰SPICE is computer software designed to analyze electrical and electronic circuits. Circuits are described for the computer in the form of *netlists* which are text files listing each component type, connection node numbers, and component values.

An example of a more elaborate terminal block array is shown in the following photograph, with terminal blocks and “ice-cube” style electromechanical relays mounted to DIN rail, which is turn mounted to a perforated subpanel¹¹. This “terminal block board” hosts an array of thirty five undedicated terminal block sections, four SPDT toggle switches, four DPDT “ice-cube” relays, a step-down control power transformer, bridge rectifier and filtering capacitor, and several fuses for overcurrent protection:



Four plastic-bottomed “feet” support the subpanel above the benchtop surface, and an unused section of DIN rail stands ready to accept other components. Safety features include electrical bonding of the AC line power cord’s ground to the metal subpanel (and all metal DIN rails), mechanical strain relief for the power cord to isolate any cord tension from wire connections, clear plastic finger guards covering the transformer’s screw terminals, as well as fused overcurrent protection for the 120 Volt AC line power and the transformer’s 12 Volt AC output. The perforated holes happen to be on $\frac{1}{4}$ inch centers with a diameter suitable for tapping with 6-32 machine screw threads, their presence making it very easy to attach other sections of DIN rail, printed circuit boards, or specialized electrical components directly to the grounded metal subpanel. Such a “terminal block board” is an inexpensive¹² yet highly flexible means to construct physically robust circuits using industrial wiring practices.

¹¹An electrical *subpanel* is a thin metal plate intended for mounting inside an electrical enclosure. Components are attached to the subpanel, and the subpanel in turn bolts inside the enclosure. Subpanels allow circuit construction outside the confines of the enclosure, which speeds assembly. In this particular usage there is no enclosure, as the subpanel is intended to be used as an open platform for the convenient construction of circuits on a benchtop by students. In essence, this is a modern version of the traditional *breadboard* which was literally a wooden board such as might be used for cutting loaves of bread, but which early electrical and electronic hobbyists used as platforms for the construction of circuits.

¹²At the time of this writing (2019) the cost to build this board is approximately \$250 US dollars.

8.1.4 Conducting experiments

An *experiment* is an exploratory act, a test performed for the purpose of assessing some proposition or principle. Experiments are the foundation of the *scientific method*, a process by which careful observation helps guard against errors of speculation. All good experiments begin with an *hypothesis*, defined by the American Heritage Dictionary of the English Language as:

An assertion subject to verification or proof, as (a) A proposition stated as a basis for argument or reasoning. (b) A premise from which a conclusion is drawn. (c) A conjecture that accounts, within a theory or ideational framework, for a set of facts and that can be used as a basis for further investigation.

Stated plainly, an hypothesis is an *educated guess* about cause and effect. The correctness of this initial guess matters little, because any well-designed experiment will reveal the truth of the matter. In fact, *incorrect* hypotheses are often the most valuable because the experiments they engender lead us to surprising discoveries. One of the beautiful aspects of science is that it is more focused on the process of *learning* than about the status of *being correct*¹³. In order for an hypothesis to be valid, it must be testable¹⁴, which means it must be a claim possible to refute given the right data. Hypotheses impossible to critique are useless.

Once an hypothesis has been formulated, an experiment must be designed to test that hypothesis. A well-designed experiment requires careful regulation of all relevant variables, both for personal safety and for prompting the hypothesized results. If the effects of one particular variable are to be tested, the experiment must be run multiple times with different values of (only) that particular variable. The experiment set up with the “baseline” variable set is called the *control*, while the experiment set up with different value(s) is called the *test* or *experimental*.

For some hypotheses a viable alternative to a physical experiment is a *computer-simulated experiment* or even a *thought experiment*. Simulations performed on a computer test the hypothesis against the physical laws encoded within the computer simulation software, and are particularly useful for students learning new principles for which simulation software is readily available¹⁵.

¹³Science is more about clarifying our view of the universe through a systematic process of error detection than it is about proving oneself to be right. Some *scientists* may happen to have large egos – and this may have more to do with the ways in which large-scale scientific research is *funded* than anything else – but *scientific method* itself is devoid of ego, and if embraced as a practical philosophy is quite an effective stimulant for humility. Within the education system, scientific method is particularly valuable for helping students break free of the crippling fear of *being wrong*. So much emphasis is placed in formal education on assessing correct retention of facts that many students are fearful of saying or doing anything that might be perceived as a mistake, and of course making mistakes (i.e. having one’s hypotheses disproven by experiment) is an indispensable tool for learning. Introducing science in the classroom – *real* science characterized by individuals forming actual hypotheses and testing those hypotheses by experiment – helps students become self-directed learners.

¹⁴This is the principle of *falsifiability*: that a scientific statement has value only insofar as it is liable to disproof given the requisite experimental evidence. Any claim that is unfalsifiable – that is, a claim which can *never* be disproven by any evidence whatsoever – could be completely wrong and we could never know it.

¹⁵A very pertinent example of this is learning how to analyze electric circuits using simulation software such as SPICE. A typical experimental cycle would proceed as follows: (1) Find or invent a circuit to analyze; (2) Apply your analytical knowledge to that circuit, predicting all voltages, currents, powers, etc. relevant to the concepts you are striving to master; (3) Run a simulation on that circuit, collecting “data” from the computer when complete; (4) Evaluate whether or not your hypotheses (i.e. predicted voltages, currents, etc.) agree with the computer-generated results; (5) If so, your analyses are (provisionally) correct – if not, examine your analyses and the computer simulation again to determine the source of error; (6) Repeat this process as many times as necessary until you achieve mastery.

Thought experiments are useful for detecting inconsistencies within your own understanding of some subject, rather than testing your understanding against physical reality.

Here are some general guidelines for conducting experiments:

- The clearer and more specific the hypothesis, the better. Vague or unfalsifiable hypotheses are useless because they will fit *any* experimental results, and therefore the experiment cannot teach you anything about the hypothesis.
- Collect as much data (i.e. information, measurements, sensory experiences) generated by an experiment as is practical. This includes the time and date of the experiment, too!
- *Never* discard or modify data gathered from an experiment. If you have reason to believe the data is unreliable, write notes to that effect, but never throw away data just because you think it is untrustworthy. It is quite possible that even “bad” data holds useful information, and that someone else may be able to uncover its value even if you do not.
- Prioritize *quantitative* data over *qualitative* data wherever practical. Quantitative data is more specific than qualitative, less prone to subjective interpretation on the part of the experimenter, and amenable to an arsenal of analytical methods (e.g. statistics).
- Guard against your own bias(es) by making your experimental results available to others. This allows other people to scrutinize your experimental design and collected data, for the purpose of detecting and correcting errors you may have missed. Document your experiment such that others may independently replicate it.
- Always be looking for sources of error. No physical measurement is perfect, and so it is impossible to achieve *exact* values for any variable. Quantify the amount of uncertainty (i.e. the “tolerance” of errors) whenever possible, and be sure your hypothesis does not depend on precision better than this!
- Always remember that scientific confirmation is provisional – no number of “successful” experiments will prove an hypothesis true for all time, but a single experiment can disprove it. Put into simpler terms, *truth is elusive but error is within reach*.
- Remember that scientific method is about *learning*, first and foremost. An unfortunate consequence of scientific triumph in modern society is that science is often viewed by non-practitioners as an unerring source of truth, when in fact science is an ongoing process of challenging existing ideas to probe for errors and oversights. This is why it is perfectly acceptable to have a failed hypothesis, and why the only truly failed experiment is one where nothing was learned.

The following is an example of a well-planned and executed experiment, in this case a physical experiment demonstrating Ohm's Law.

Planning Time/Date = 09:30 on 12 February 2019

HYPOTHESIS: the current through any resistor should be exactly proportional to the voltage impressed across it.

PROCEDURE: connect a resistor rated 1 k Ohm and 1/4 Watt to a variable-voltage DC power supply. Use an ammeter in series to measure resistor current and a voltmeter in parallel to measure resistor voltage.

RISKS AND MITIGATION: excessive power dissipation may harm the resistor and/or pose a burn hazard, while excessive voltage poses an electric shock hazard. 30 Volts is a safe maximum voltage for laboratory practices, and according to Joule's Law a 1000 Ohm resistor will dissipate 0.25 Watts at 15.81 Volts ($P = V^2 / R$), so I will remain below 15 Volts just to be safe.

Experiment Time/Date = 10:15 on 12 February 2019

DATA COLLECTED:

(Voltage)	(Current)	(Voltage)	(Current)
0.000 V	= 0.000 mA	8.100	= 7.812 mA
2.700 V	= 2.603 mA	10.00 V	= 9.643 mA
5.400 V	= 5.206 mA	14.00 V	= 13.49 mA

Analysis Time/Date = 10:57 on 12 February 2019

ANALYSIS: current definitely increases with voltage, and although I expected exactly one milliAmpere per Volt the actual current was usually less than that. The voltage/current ratios ranged from a low of 1036.87 (at 8.1 Volts) to a high of 1037.81 (at 14 Volts), but this represents a variance of only -0.0365% to +0.0541% from the average, indicating a very consistent proportionality -- results consistent with Ohm's Law.

ERROR SOURCES: one major source of error is the resistor's value itself. I did not measure it, but simply assumed color bands of brown-black-red meant exactly 1000 Ohms. Based on the data I think the true resistance is closer to 1037 Ohms. Another possible explanation is multimeter calibration error. However, neither explains the small positive and negative variances from the average. This might be due to electrical noise, a good test being to repeat the same experiment to see if the variances are the same or different. Noise should generate slightly different results every time.

The following is an example of a well-planned and executed *virtual* experiment, in this case demonstrating Ohm's Law using a computer (SPICE) simulation.

Planning Time/Date = 12:32 on 14 February 2019

HYPOTHESIS: for any given resistor, the current through that resistor should be exactly proportional to the voltage impressed across it.

PROCEDURE: write a SPICE netlist with a single DC voltage source and single 1000 Ohm resistor, then use NGSPICE version 26 to perform a "sweep" analysis from 0 Volts to 25 Volts in 5 Volt increments.

```
* SPICE circuit
v1 1 0 dc
r1 1 0 1000
.dc v1 0 25 5
.print dc v(1) i(v1)
.end
```

RISKS AND MITIGATION: none.

DATA COLLECTED:

DC transfer characteristic Thu Feb 14 13:05:08 2019

Index	v-sweep	v(1)	v1#branch
0	0.000000e+00	0.000000e+00	0.000000e+00
1	5.000000e+00	5.000000e+00	-5.00000e-03
2	1.000000e+01	1.000000e+01	-1.00000e-02
3	1.500000e+01	1.500000e+01	-1.50000e-02
4	2.000000e+01	2.000000e+01	-2.00000e-02
5	2.500000e+01	2.500000e+01	-2.50000e-02

Analysis Time/Date = 13:06 on 14 February 2019

ANALYSIS: perfect agreement between data and hypothesis -- current is precisely 1/1000 of the applied voltage for all values. Anything other than perfect agreement would have probably meant my netlist was incorrect. The negative current values surprised me, but it seems this is just how SPICE interprets normal current through a DC voltage source.

ERROR SOURCES: none.

As gratuitous as it may seem to perform experiments on a physical law as well-established as Ohm's Law, even the examples listed previously demonstrate opportunity for real learning. In the physical experiment example, the student should identify and explain why their data does not perfectly agree with the hypothesis, and this leads them naturally to consider sources of error. In the computer-simulated experiment, the student is struck by SPICE's convention of denoting regular current through a DC voltage source as being *negative* in sign, and this is also useful knowledge for future simulations. Scientific experiments are most interesting when things *do not* go as planned!

Aside from verifying well-established physical laws, simple experiments are extremely useful as educational tools for a wide range of purposes, including:

- Component familiarization (e.g. *Which terminals of this switch connect to the NO versus NC contacts?*)
- System testing (e.g. *How heavy of a load can my AC-DC power supply source before the semiconductor components reach their thermal limits?*)
- Learning programming languages (e.g. *Let's try to set up an "up" counter function in this PLC!*)

Above all, the priority here is to inculcate the habit of hypothesizing, running experiments, and analyzing the results. This experimental cycle not only serves as an excellent method for self-directed learning, but it also works exceptionally well for troubleshooting faults in complex systems, and for these reasons should be a part of every technician's and every engineer's education.

8.1.5 Constructing projects

Designing, constructing, and testing projects is a very effective means of practical education. Within a formal educational setting, projects are generally chosen (or at least vetted) by an instructor to ensure they may be reasonably completed within the allotted time of a course or program of study, and that they sufficiently challenge the student to learn certain important principles. In a self-directed environment, projects are just as useful as a learning tool but there is some risk of unwittingly choosing a project beyond one's abilities, which can lead to frustration.

Here are some general guidelines for managing projects:

- Define your goal(s) before beginning a project: what do you wish to achieve in building it? What, exactly, should the completed project *do*?
- Analyze your project prior to construction. Document it in appropriate forms (e.g. schematic diagrams), predict its functionality, anticipate all associated risks. In other words, *plan ahead*.
- Set a reasonable budget for your project, and stay within it.
- Identify any deadlines, and set reasonable goals to meet those deadlines.
- Beware of *scope creep*: the tendency to modify the project's goals before it is complete.
- Document your progress! An easy way to do this is to use photography or videography: take photos and/or videos of your project as it progresses. Document failures as well as successes, because both are equally valuable from the perspective of learning.

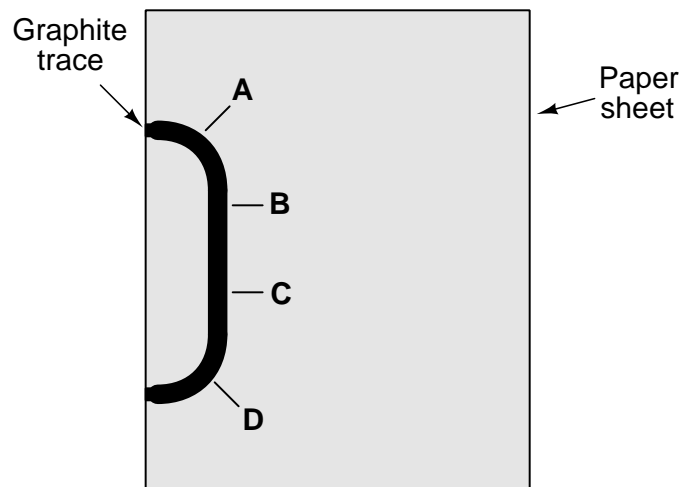
8.2 Experiment: pencil-trace series circuit

In this experiment you will sketch a series circuit on a piece of paper using a soft-graphite pencil, and measure its resistance using a digital multimeter (DMM) configured to measure resistance.

- A clean sheet of white notebook paper
- A soft-lead pencil (no harder than #2 “lead” hardness rating)
- A primary-cell battery (6 or 9 Volts is sufficient)
- A digital multimeter (DMM) capable of measuring DC voltage
- Alligator-clip style jumper wires to connect the meter to the paper

First and foremost, identify any potential hazards posed by this experiment. If any exist, identify how to mitigate each of those risks to ensure personal safety as well as ensure no components or equipment will be damaged.

Use the pencil to draw a thick “circuit” consisting of a single curve terminating on the edge of the paper sheet, like this. Mark at least three different points along the curve, each one with a letter in alphabetical order like so:



Attach two of the alligator clip jumper wires, one to each end of the curve, being sure to make contact between the metal jaw of each alligator clip and the graphite mark. Connect the other ends of the jumper wires to the battery’s terminals so that the “circuit” will now be powered.

Configure your DMM to measure DC voltage, and touch its test lead probe tips to any two of the labeled points along the curve. Record the voltage values read between all combinations of two points (e.g. V_{AB} , V_{BC} , V_{AC} , etc.). Note which combination of points yield the highest voltage measurement, and which combination of points yield the lowest voltage measurement.

Write your conclusions about the relationship of test point location versus voltage in this circuit. Are there any consistent patterns apparent?

Be sure to document all data in a neat and well-organized format, easily understood by anyone viewing it. Be prepared to explain your reasoning at every step, and also to demonstrate the safe and proper use of all materials, components, and equipment. If a live demonstration is not practical, record your actions on video.

Challenges

- Explain why, to your best knowledge, the *length* of the graphite mark has the effect it does on end-to-end voltage.
- Explain why, to your best knowledge, the *distance* between test points along the graphite mark has the effect it does on measured voltage.
- Take a rubber eraser and try “thinning” a section of the graphite circuit, and then repeating the voltage measurements. What effect does this change have on the amount of voltage dropped between test points?
- Take a rubber eraser and try “thickening” a section of the graphite circuit, and then repeating the voltage measurements. What effect does this change have on the amount of voltage dropped between test points?
- Modify the graphite mark with a pencil and/or eraser until two of the test points manifest a *voltage division ratio* of 2:1 (i.e. the voltage between those points is one-half the value of the battery voltage).

8.3 Experiment: Ohm's Law in a three-resistor series circuit

In this experiment you will confirm the validity of series circuit principles as it applies to carbon composition resistors powered by a battery. For this experiment you will need:

- A primary-cell battery (6 or 9 Volts is sufficient)
- An assortment of carbon composition resistors between 1 k Ω and 100 k Ω
- A digital multimeter (DMM) capable of measuring DC voltage and DC current (milliAmperes) and resistance
- Alligator-clip style jumper wires to connect the battery to a resistor
- (Optional) A solderless breadboard or set of terminal blocks suitable for holding the resistors

First and foremost, identify any potential hazards posed by this experiment. If any exist, identify how to mitigate each of those risks to ensure personal safety as well as ensure no components or equipment will be damaged.

Choose at least three resistors with different resistor values, all between 1 k Ω and 100 k Ω ¹⁶. Decode each resistor's color-code bands to determine its nominal resistance value as well as its tolerance. Then, use your DMM (set to measure resistance) to verify each resistor's actual resistance value. Document these nominal and actual values for all three resistors, labeling them R_1 through R_3 .

Next, use your DMM to measure the battery's voltage. Document this value as well.

Use Ohm's Law to calculate the expected amount of current for a circuit where all three resistors are connected in series with each other, and with the battery. Document these predicted current values, as you will be comparing them with measured (empirical) values of current in the next step.

Sketch a complete schematic diagram of the circuit as you intend it to be built. Double-check the schematic to ensure there are no "opens" that will prohibit current where needed, and no "shorts" prohibiting necessary voltage drops and/or causing excessive current. After you are satisfied with your plan, construct the circuit.

Connect your DMM (set to measure current) and measure the current at three different locations in the circuit (e.g. at one terminal of each resistor). Compare these measured current values with the predicted current values from the previous step. Notate on this diagram where you took the three current measurements.

Use Ohm's Law to calculate the expected voltage drop across each of the three resistors. Document these predicted voltage values, as you will be comparing them with measured (empirical) values of voltage in the next step.

¹⁶Avoiding resistor values below 1 k Ω and 100 k Ω helps avoid errors caused by meter burden and test lead connection resistance.

Connect your DMM (set to measure voltage) and measure the voltage across each of the three resistors. Compare these measured voltage values with the predicted voltage values from the previous step.

How well are the theoretical predictions for series components supported by the empirical (measured) data from this experiment? Are there any noteworthy sources of error in this experiment?

Be sure to document all data in a neat and well-organized format, easily understood by anyone viewing it. Be prepared to explain your reasoning at every step, and also to demonstrate the safe and proper use of all materials, components, and equipment. If a live demonstration is not practical, record your actions on video.

Challenges

- Identify unique properties of *series*-connected components, and then use your experiment to prove this property is true either by appealing to empirical data you have recorded or by demonstrating those measurements live.
- Describe the mathematical relationship of individual versus total resistances in a *series* circuit, and then demonstrate this relationship empirically using your DMM.
- Predict the effects of a particular resistor failing open.
- Predict the effects of a particular resistor failing shorted.
- A good self-test of an ohmmeter is to connect its test leads directly together (otherwise known as “shorting” the leads because a direct connection is the shortest, lowest resistance electrical path possible). What should an ohmmeter register when its leads are shorted together? Why?
- Explain why you cannot obtain a reliable resistance measurement using an ohmmeter when the component in question is energized by a source.
- Sometimes you will find your multimeter yields a non-zero resistance measurement when you would expect it to measure zero or very nearly zero. Explain why this is.
- Identify any data points (empirical) that disagree with theory (prediction), and suggest sources of error.
- Explain why connecting an ammeter directly to the terminals of a voltage source such as a primary-cell battery is a bad idea.
- The manner in which you connect the DMM to a resistor to measure its resistance may introduce a measurement error. In particular, contacting each of the meter’s test probes with your skin while simultaneously contacting the resistor’s terminals places your body in “parallel” with the resistor, providing an alternate path for the meter’s test current to flow. Will this measurement error be positive (i.e. registering more than the resistor’s true value) or negative (registering less than the resistor’s true value)? Explain your reasoning.

Appendix A

Problem-Solving Strategies

The ability to solve complex problems is arguably one of the most valuable skills one can possess, and this skill is particularly important in any science-based discipline.

- Study principles, not procedures. Don't be satisfied with merely knowing how to compute solutions – learn *why* those solutions work.
- Identify what it is you need to solve, identify all relevant data, identify all units of measurement, identify any general principles or formulae linking the given information to the solution, and then identify any “missing pieces” to a solution. Annotate all diagrams with this data.
- Sketch a diagram to help visualize the problem. When building a real system, always devise a plan for that system and analyze its function *before* constructing it.
- Follow the units of measurement and meaning of every calculation. If you are ever performing mathematical calculations as part of a problem-solving procedure, and you find yourself unable to apply each and every intermediate result to some aspect of the problem, it means you don't understand what you are doing. Properly done, every mathematical result should have practical meaning for the problem, and not just be an abstract number. You should be able to identify the proper units of measurement for each and every calculated result, and show where that result fits into the problem.
- Perform “thought experiments” to explore the effects of different conditions for theoretical problems. When troubleshooting real systems, perform *diagnostic tests* rather than visually inspecting for faults, the best diagnostic test being the one giving you the most information about the nature and/or location of the fault with the fewest steps.
- Simplify the problem until the solution becomes obvious, and then use that obvious case as a model to follow in solving the more complex version of the problem.
- Check for exceptions to see if your solution is incorrect or incomplete. A good solution will work for *all* known conditions and criteria. A good example of this is the process of testing scientific hypotheses: the task of a scientist is not to find support for a new idea, but rather to *challenge* that new idea to see if it holds up under a battery of tests. The philosophical

principle of *reductio ad absurdum* (i.e. disproving a general idea by finding a specific case where it fails) is useful here.

- Work “backward” from a hypothetical solution to a new set of given conditions.
- Add quantities to problems that are qualitative in nature, because sometimes a little math helps illuminate the scenario.
- Sketch graphs illustrating how variables relate to each other. These may be quantitative (i.e. with realistic number values) or qualitative (i.e. simply showing increases and decreases).
- Treat quantitative problems as qualitative in order to discern the relative magnitudes and/or directions of change of the relevant variables. For example, try determining what happens if a certain variable were to increase or decrease before attempting to precisely calculate quantities: how will each of the dependent variables respond, by increasing, decreasing, or remaining the same as before?
- Consider limiting cases. This works especially well for qualitative problems where you need to determine which direction a variable will change. Take the given condition and magnify that condition to an extreme degree as a way of simplifying the direction of the system’s response.
- Check your work. This means regularly testing your conclusions to see if they make sense. This does *not* mean repeating the same steps originally used to obtain the conclusion(s), but rather to use some other means to check validity. Simply repeating procedures often leads to *repeating the same errors* if any were made, which is why alternative paths are better.

Appendix B

Instructional philosophy

“The unexamined circuit is not worth energizing” – Socrates (if he had taught electricity)

These learning modules, although useful for self-study, were designed to be used in a formal learning environment where a subject-matter expert challenges students to digest the content and exercise their critical thinking abilities in the answering of questions and in the construction and testing of working circuits.

The following principles inform the instructional and assessment philosophies embodied in these learning modules:

- The first goal of education is to enhance clear and independent thought, in order that every student reach their fullest potential in a highly complex and inter-dependent world. Robust reasoning is *always* more important than particulars of any subject matter, because its application is universal.
- Literacy is fundamental to independent learning and thought because text continues to be the most efficient way to communicate complex ideas over space and time. Those who cannot read with ease are limited in their ability to acquire knowledge and perspective.
- Articulate communication is fundamental to work that is complex and interdisciplinary.
- Faulty assumptions and poor reasoning are best corrected through challenge, not presentation. The rhetorical technique of *reductio ad absurdum* (disproving an assertion by exposing an absurdity) works well to discipline student’s minds, not only to correct the problem at hand but also to learn how to detect and correct future errors.
- Important principles should be repeatedly explored and widely applied throughout a course of study, not only to reinforce their importance and help ensure their mastery, but also to showcase the interconnectedness and utility of knowledge.

These learning modules were expressly designed to be used in an “inverted” teaching environment¹ where students first read the introductory and tutorial chapters on their own, then individually attempt to answer the questions and construct working circuits according to the experiment and project guidelines. The instructor never lectures, but instead meets regularly with each individual student to review their progress, answer questions, identify misconceptions, and challenge the student to new depths of understanding through further questioning. Regular meetings between instructor and student should resemble a Socratic² dialogue, where questions serve as scalpels to dissect topics and expose assumptions. The student passes each module only after consistently demonstrating their ability to logically analyze and correctly apply all major concepts in each question or project/experiment. The instructor must be vigilant in probing each student’s understanding to ensure they are truly *reasoning* and not just *memorizing*. This is why “Challenge” points appear throughout, as prompts for students to think deeper about topics and as starting points for instructor queries. Sometimes these challenge points require additional knowledge that hasn’t been covered in the series to answer in full. This is okay, as the major purpose of the Challenges is to stimulate analysis and synthesis on the part of each student.

The instructor must possess enough mastery of the subject matter and awareness of students’ reasoning to generate their own follow-up questions to practically any student response. Even completely correct answers given by the student should be challenged by the instructor for the purpose of having students practice articulating their thoughts and defending their reasoning. Conceptual errors committed by the student should be exposed and corrected not by direct instruction, but rather by reducing the errors to an absurdity³ through well-chosen questions and thought experiments posed by the instructor. Becoming proficient at this style of instruction requires time and dedication, but the positive effects on critical thinking for both student and instructor are spectacular.

An inspection of these learning modules reveals certain unique characteristics. One of these is a bias toward thorough explanations in the tutorial chapters. Without a live instructor to explain concepts and applications to students, the text itself must fulfill this role. This philosophy results in lengthier explanations than what you might typically find in a textbook, each step of the reasoning process fully explained, including footnotes addressing common questions and concerns students raise while learning these concepts. Each tutorial seeks to not only explain each major concept in sufficient detail, but also to explain the logic of each concept and how each may be developed

¹In a traditional teaching environment, students first encounter new information via *lecture* from an expert, and then independently apply that information via *homework*. In an “inverted” course of study, students first encounter new information via *homework*, and then independently apply that information under the scrutiny of an expert. The expert’s role in lecture is to simply *explain*, but the expert’s role in an inverted session is to *challenge, critique*, and if necessary *explain* where gaps in understanding still exist.

²Socrates is a figure in ancient Greek philosophy famous for his unflinching style of questioning. Although he authored no texts, he appears as a character in Plato’s many writings. The essence of Socratic philosophy is to leave no question unexamined and no point of view unchallenged. While purists may argue a topic such as electric circuits is too narrow for a true Socratic-style dialogue, I would argue that the essential thought processes involved with scientific reasoning on *any* topic are not far removed from the Socratic ideal, and that students of electricity and electronics would do very well to challenge assumptions, pose thought experiments, identify fallacies, and otherwise employ the arsenal of critical thinking skills modeled by Socrates.

³This rhetorical technique is known by the Latin phrase *reductio ad absurdum*. The concept is to expose errors by counter-example, since only one solid counter-example is necessary to disprove a universal claim. As an example of this, consider the common misconception among beginning students of electricity that voltage cannot exist without current. One way to apply *reductio ad absurdum* to this statement is to ask how much current passes through a fully-charged battery connected to nothing (i.e. a clear example of voltage existing without current).

from “first principles”. Again, this reflects the goal of developing clear and independent thought in students’ minds, by showing how clear and logical thought was used to forge each concept. Students benefit from witnessing a model of clear thinking in action, and these tutorials strive to be just that.

Another characteristic of these learning modules is a lack of step-by-step instructions in the Project and Experiment chapters. Unlike many modern workbooks and laboratory guides where step-by-step instructions are prescribed for each experiment, these modules take the approach that students must learn to closely read the tutorials and apply their own reasoning to identify the appropriate experimental steps. Sometimes these steps are plainly declared in the text, just not as a set of enumerated points. At other times certain steps are implied, an example being assumed competence in test equipment use where the student should not need to be told *again* how to use their multimeter because that was thoroughly explained in previous lessons. In some circumstances no steps are given at all, leaving the entire procedure up to the student.

This lack of prescription is not a flaw, but rather a feature. Close reading and clear thinking are foundational principles of this learning series, and in keeping with this philosophy all activities are designed to *require* those behaviors. Some students may find the lack of prescription frustrating, because it demands more from them than what their previous educational experiences required. This frustration should be interpreted as an unfamiliarity with autonomous thinking, a problem which must be corrected if the student is ever to become a self-directed learner and effective problem-solver. Ultimately, the need for students to read closely and think clearly is more important both in the near-term and far-term than any specific facet of the subject matter at hand. If a student takes longer than expected to complete a module because they are forced to outline, digest, and reason on their own, so be it. The future gains enjoyed by developing this mental discipline will be well worth the additional effort and delay.

Another feature of these learning modules is that they do not treat topics in isolation. Rather, important concepts are introduced early in the series, and appear repeatedly as stepping-stones toward other concepts in subsequent modules. This helps to avoid the “compartmentalization” of knowledge, demonstrating the inter-connectedness of concepts and simultaneously reinforcing them. Each module is fairly complete in itself, reserving the beginning of its tutorial to a review of foundational concepts.

This methodology of assigning text-based modules to students for digestion and then using Socratic dialogue to assess progress and hone students’ thinking was developed over a period of several years by the author with his Electronics and Instrumentation students at the two-year college level. While decidedly unconventional and sometimes even unsettling for students accustomed to a more passive lecture environment, this instructional philosophy has proven its ability to convey conceptual mastery, foster careful analysis, and enhance employability so much better than lecture that the author refuses to ever teach by lecture again.

Problems which often go undiagnosed in a lecture environment are laid bare in this “inverted” format where students must articulate and logically defend their reasoning. This, too, may be unsettling for students accustomed to lecture sessions where the instructor cannot tell for sure who comprehends and who does not, and this vulnerability necessitates sensitivity on the part of the “inverted” session instructor in order that students never feel discouraged by having their errors exposed. *Everyone* makes mistakes from time to time, and learning is a lifelong process! Part of the instructor’s job is to build a culture of learning among the students where errors are not seen as shameful, but rather as opportunities for progress.

To this end, instructors managing courses based on these modules should adhere to the following principles:

- Student questions are always welcome and demand thorough, honest answers. The only type of question an instructor should refuse to answer is one the student should be able to easily answer on their own. Remember, *the fundamental goal of education is for each student to learn to think clearly and independently*. This requires hard work on the part of the student, which no instructor should ever circumvent. Anything done to bypass the student's responsibility to do that hard work ultimately limits that student's potential and thereby does real harm.
- It is not only permissible, but encouraged, to answer a student's question by asking questions in return, these follow-up questions designed to guide the student to reach a correct answer through their own reasoning.
- All student answers demand to be challenged by the instructor and/or by other students. This includes both correct and incorrect answers – the goal is to practice the articulation and defense of one's own reasoning.
- No reading assignment is deemed complete unless and until the student demonstrates their ability to accurately summarize the major points in their own terms. Recitation of the original text is unacceptable. This is why every module contains an "Outline and reflections" question as well as a "Foundational concepts" question in the Conceptual reasoning section, to prompt reflective reading.
- No assigned question is deemed answered unless and until the student demonstrates their ability to consistently and correctly apply the concepts to *variations* of that question. This is why module questions typically contain multiple "Challenges" suggesting different applications of the concept(s) as well as variations on the same theme(s). Instructors are encouraged to devise as many of their own "Challenges" as they are able, in order to have a multitude of ways ready to probe students' understanding.
- No assigned experiment or project is deemed complete unless and until the student demonstrates the task in action. If this cannot be done "live" before the instructor, video-recordings showing the demonstration are acceptable. All relevant safety precautions must be followed, all test equipment must be used correctly, and the student must be able to properly explain all results. The student must also successfully answer all Challenges presented by the instructor for that experiment or project.

Students learning from these modules would do well to abide by the following principles:

- No text should be considered fully and adequately read unless and until you can express every idea *in your own words, using your own examples*.
- You should always articulate your thoughts as you read the text, noting points of agreement, confusion, and epiphanies. Feel free to print the text on paper and then write your notes in the margins. Alternatively, keep a journal for your own reflections as you read. This is truly a helpful tool when digesting complicated concepts.
- Never take the easy path of highlighting or underlining important text. Instead, *summarize* and/or *comment* on the text using your own words. This actively engages your mind, allowing you to more clearly perceive points of confusion or misunderstanding on your own.
- A very helpful strategy when learning new concepts is to place yourself in the role of a teacher, if only as a mental exercise. Either explain what you have recently learned to someone else, or at least *imagine* yourself explaining what you have learned to someone else. The simple act of having to articulate new knowledge and skill forces you to take on a different perspective, and will help reveal weaknesses in your understanding.
- Perform each and every mathematical calculation and thought experiment shown in the text on your own, referring back to the text to see that your results agree. This may seem trivial and unnecessary, but it is critically important to ensuring you actually understand what is presented, especially when the concepts at hand are complicated and easy to misunderstand. Apply this same strategy to become proficient in the use of *circuit simulation software*, checking to see if your simulated results agree with the results shown in the text.
- Above all, recognize that learning is hard work, and that a certain level of frustration is unavoidable. There are times when you will struggle to grasp some of these concepts, and that struggle is a natural thing. Take heart that it will yield with persistent and varied⁴ effort, and never give up!

Students interested in using these modules for self-study will also find them beneficial, although the onus of responsibility for thoroughly reading and answering questions will of course lie with that individual alone. If a qualified instructor is not available to challenge students, a workable alternative is for students to form study groups where they challenge⁵ one another.

To high standards of education,

Tony R. Kuphaldt

⁴As the old saying goes, “Insanity is trying the same thing over and over again, expecting different results.” If you find yourself stumped by something in the text, you should attempt a different approach. Alter the thought experiment, change the mathematical parameters, do whatever you can to see the problem in a slightly different light, and then the solution will often present itself more readily.

⁵Avoid the temptation to simply share answers with study partners, as this is really counter-productive to learning. Always bear in mind that the answer to any question is far less important in the long run than the method(s) used to obtain that answer. The goal of education is to empower one’s life through the improvement of clear and independent thought, literacy, expression, and various practical skills.

Appendix C

Tools used

I am indebted to the developers of many open-source software applications in the creation of these learning modules. The following is a list of these applications with some commentary on each.

You will notice a theme common to many of these applications: a bias toward *code*. Although I am by no means an expert programmer in any computer language, I understand and appreciate the flexibility offered by code-based applications where the user (you) enters commands into a plain ASCII text file, which the software then reads and processes to create the final output. Code-based computer applications are by their very nature *extensible*, while WYSIWYG (What You See Is What You Get) applications are generally limited to whatever user interface the developer makes for you.

The GNU/Linux computer operating system

There is so much to be said about Linus Torvalds' **Linux** and Richard Stallman's **GNU** project. First, to credit just these two individuals is to fail to do justice to the *mob* of passionate volunteers who contributed to make this amazing software a reality. I first learned of **Linux** back in 1996, and have been using this operating system on my personal computers almost exclusively since then. It is *free*, it is completely *configurable*, and it permits the continued use of highly efficient **Unix** applications and scripting languages (e.g. shell scripts, Makefiles, **sed**, **awk**) developed over many decades. **Linux** not only provided me with a powerful computing platform, but its open design served to inspire my life's work of creating open-source educational resources.

Bram Moolenaar's Vim text editor

Writing code for any code-based computer application requires a *text editor*, which may be thought of as a word processor strictly limited to outputting plain-ASCII text files. Many good text editors exist, and one's choice of text editor seems to be a deeply personal matter within the programming world. I prefer **Vim** because it operates very similarly to **vi** which is ubiquitous on **Unix/Linux** operating systems, and because it may be entirely operated via keyboard (i.e. no mouse required) which makes it fast to use.

Donald Knuth's \TeX typesetting system

Developed in the late 1970's and early 1980's by computer scientist extraordinaire Donald Knuth to typeset his multi-volume magnum opus *The Art of Computer Programming*, this software allows the production of formatted text for screen-viewing or paper printing, all by writing plain-text code to describe how the formatted text is supposed to appear. \TeX is not just a markup language for documents, but it is also a Turing-complete programming language in and of itself, allowing useful algorithms to be created to control the production of documents. Simply put, *\TeX is a programmer's approach to word processing*. Since \TeX is controlled by code written in a plain-text file, this means anyone may read that plain-text file to see exactly how the document was created. This openness afforded by the code-based nature of \TeX makes it relatively easy to learn how other people have created their own \TeX documents. By contrast, examining a beautiful document created in a conventional WYSIWYG word processor such as Microsoft **Word** suggests nothing to the reader about *how* that document was created, or what the user might do to create something similar. As Mr. Knuth himself once quipped, conventional word processing applications should be called WYSIAYG (What You See Is *All* You Get).

Leslie Lamport's \LaTeX extensions to \TeX

Like all true programming languages, \TeX is inherently extensible. So, years after the release of \TeX to the public, Leslie Lamport decided to create a massive extension allowing easier compilation of book-length documents. The result was \LaTeX , which is the markup language used to create all ModEL module documents. You could say that \TeX is to \LaTeX as **C** is to **C++**. This means it is permissible to use any and all \TeX commands within \LaTeX source code, and it all still works. Some of the features offered by \LaTeX that would be challenging to implement in \TeX include automatic index and table-of-content creation.

Tim Edwards' **Xcircuit** drafting program

This wonderful program is what I use to create all the schematic diagrams and illustrations (but not photographic images or mathematical plots) throughout the ModEL project. It natively outputs PostScript format which is a true vector graphic format (this is why the images do not pixellate when you zoom in for a closer view), and it is so simple to use that I have never had to read the manual! Object libraries are easy to create for **Xcircuit**, being plain-text files using PostScript programming conventions. Over the years I have collected a large set of object libraries useful for drawing electrical and electronic schematics, pictorial diagrams, and other technical illustrations.

Gimp graphic image manipulation program

Essentially an open-source clone of Adobe's `PhotoShop`, I use `Gimp` to resize, crop, and convert file formats for all of the photographic images appearing in the `MODEL` modules. Although `Gimp` does offer its own scripting language (called `Script-Fu`), I have never had occasion to use it. Thus, my utilization of `Gimp` to merely crop, resize, and convert graphic images is akin to using a sword to slice bread.

SPICE circuit simulation program

`SPICE` is to circuit analysis as `TEX` is to document creation: it is a form of markup language designed to describe a certain object to be processed in plain-ASCII text. When the plain-text “source file” is compiled by the software, it outputs the final result. More modern circuit analysis tools certainly exist, but I prefer `SPICE` for the following reasons: it is *free*, it is *fast*, it is *reliable*, and it is a fantastic tool for *teaching* students of electricity and electronics how to write simple code. I happen to use rather old versions of `SPICE`, version 2g6 being my “go to” application when I only require text-based output. `NGSPICE` (version 26), which is based on Berkeley `SPICE` version 3f5, is used when I require graphical output for such things as time-domain waveforms and Bode plots. In all `SPICE` example netlists I strive to use coding conventions compatible with all `SPICE` versions.

Andrew D. Hwang's ePiX mathematical visualization programming library

This amazing project is a `C++` library you may link to any `C/C++` code for the purpose of generating PostScript graphic images of mathematical functions. As a completely free and open-source project, it does all the plotting I would otherwise use a Computer Algebra System (CAS) such as `Mathematica` or `Maple` to do. It should be said that `ePiX` is *not* a Computer Algebra System like `Mathematica` or `Maple`, but merely a mathematical *visualization* tool. In other words, it won't determine integrals for you (you'll have to implement that in your own `C/C++` code!), but it can graph the results, and it does so beautifully. What I really admire about `ePiX` is that it is a `C++` programming library, which means it builds on the existing power and toolset available with that programming language. Mr. Hwang could have probably developed his own stand-alone application for mathematical plotting, but by creating a `C++` library to do the same thing he accomplished something much greater.

gnuplot mathematical visualization software

Another open-source tool for mathematical visualization is `gnuplot`. Interestingly, this tool is *not* part of Richard Stallman’s GNU project, its name being a coincidence. For this reason the authors prefer “gnu” *not* be capitalized at all to avoid confusion. This is a much “lighter-weight” alternative to a spreadsheet for plotting tabular data, and the fact that it easily outputs directly to an X11 console or a file in a number of different graphical formats (including PostScript) is very helpful. I typically set my `gnuplot` output format to default (X11 on my Linux PC) for quick viewing while I’m developing a visualization, then switch to PostScript file export once the visual is ready to include in the document(s) I’m writing. As with my use of `Gimp` to do rudimentary image editing, my use of `gnuplot` only scratches the surface of its capabilities, but the important points are that it’s *free* and that it *works well*.

Python programming language

Both Python and C++ find extensive use in these modules as instructional aids and exercises, but I’m listing Python here as a *tool* for myself because I use it almost daily as a *calculator*. If you open a Python interpreter console and type `from math import *` you can type mathematical expressions and have it return results just as you would on a hand calculator. Complex-number (i.e. *phasor*) arithmetic is similarly supported if you include the complex-math library (`from cmath import *`). Examples of this are shown in the Programming References chapter (if included) in each module. Of course, being a fully-featured programming language, Python also supports conditionals, loops, and other structures useful for calculation of quantities. Also, running in a console environment where all entries and returned values show as text in a chronologically-ordered list makes it easy to copy-and-paste those calculations to document exactly how they were performed.

Appendix D

Creative Commons License

Creative Commons Attribution 4.0 International Public License

By exercising the Licensed Rights (defined below), You accept and agree to be bound by the terms and conditions of this Creative Commons Attribution 4.0 International Public License (“Public License”). To the extent this Public License may be interpreted as a contract, You are granted the Licensed Rights in consideration of Your acceptance of these terms and conditions, and the Licensor grants You such rights in consideration of benefits the Licensor receives from making the Licensed Material available under these terms and conditions.

Section 1 – Definitions.

a. **Adapted Material** means material subject to Copyright and Similar Rights that is derived from or based upon the Licensed Material and in which the Licensed Material is translated, altered, arranged, transformed, or otherwise modified in a manner requiring permission under the Copyright and Similar Rights held by the Licensor. For purposes of this Public License, where the Licensed Material is a musical work, performance, or sound recording, Adapted Material is always produced where the Licensed Material is synched in timed relation with a moving image.

b. **Adapter’s License** means the license You apply to Your Copyright and Similar Rights in Your contributions to Adapted Material in accordance with the terms and conditions of this Public License.

c. **Copyright and Similar Rights** means copyright and/or similar rights closely related to copyright including, without limitation, performance, broadcast, sound recording, and Sui Generis Database Rights, without regard to how the rights are labeled or categorized. For purposes of this Public License, the rights specified in Section 2(b)(1)-(2) are not Copyright and Similar Rights.

d. **Effective Technological Measures** means those measures that, in the absence of proper authority, may not be circumvented under laws fulfilling obligations under Article 11 of the WIPO Copyright Treaty adopted on December 20, 1996, and/or similar international agreements.

e. **Exceptions and Limitations** means fair use, fair dealing, and/or any other exception or

limitation to Copyright and Similar Rights that applies to Your use of the Licensed Material.

f. **Licensed Material** means the artistic or literary work, database, or other material to which the Licensor applied this Public License.

g. **Licensed Rights** means the rights granted to You subject to the terms and conditions of this Public License, which are limited to all Copyright and Similar Rights that apply to Your use of the Licensed Material and that the Licensor has authority to license.

h. **Licensor** means the individual(s) or entity(ies) granting rights under this Public License.

i. **Share** means to provide material to the public by any means or process that requires permission under the Licensed Rights, such as reproduction, public display, public performance, distribution, dissemination, communication, or importation, and to make material available to the public including in ways that members of the public may access the material from a place and at a time individually chosen by them.

j. **Sui Generis Database Rights** means rights other than copyright resulting from Directive 96/9/EC of the European Parliament and of the Council of 11 March 1996 on the legal protection of databases, as amended and/or succeeded, as well as other essentially equivalent rights anywhere in the world.

k. **You** means the individual or entity exercising the Licensed Rights under this Public License. **Your** has a corresponding meaning.

Section 2 – Scope.

a. License grant.

1. Subject to the terms and conditions of this Public License, the Licensor hereby grants You a worldwide, royalty-free, non-sublicensable, non-exclusive, irrevocable license to exercise the Licensed Rights in the Licensed Material to:

A. reproduce and Share the Licensed Material, in whole or in part; and

B. produce, reproduce, and Share Adapted Material.

2. Exceptions and Limitations. For the avoidance of doubt, where Exceptions and Limitations apply to Your use, this Public License does not apply, and You do not need to comply with its terms and conditions.

3. Term. The term of this Public License is specified in Section 6(a).

4. Media and formats; technical modifications allowed. The Licensor authorizes You to exercise the Licensed Rights in all media and formats whether now known or hereafter created, and to make technical modifications necessary to do so. The Licensor waives and/or agrees not to assert any right or authority to forbid You from making technical modifications necessary to exercise the Licensed Rights, including technical modifications necessary to circumvent Effective Technological Measures.

For purposes of this Public License, simply making modifications authorized by this Section 2(a)(4) never produces Adapted Material.

5. Downstream recipients.

A. Offer from the Licensor – Licensed Material. Every recipient of the Licensed Material automatically receives an offer from the Licensor to exercise the Licensed Rights under the terms and conditions of this Public License.

B. No downstream restrictions. You may not offer or impose any additional or different terms or conditions on, or apply any Effective Technological Measures to, the Licensed Material if doing so restricts exercise of the Licensed Rights by any recipient of the Licensed Material.

6. No endorsement. Nothing in this Public License constitutes or may be construed as permission to assert or imply that You are, or that Your use of the Licensed Material is, connected with, or sponsored, endorsed, or granted official status by, the Licensor or others designated to receive attribution as provided in Section 3(a)(1)(A)(i).

b. Other rights.

1. Moral rights, such as the right of integrity, are not licensed under this Public License, nor are publicity, privacy, and/or other similar personality rights; however, to the extent possible, the Licensor waives and/or agrees not to assert any such rights held by the Licensor to the limited extent necessary to allow You to exercise the Licensed Rights, but not otherwise.

2. Patent and trademark rights are not licensed under this Public License.

3. To the extent possible, the Licensor waives any right to collect royalties from You for the exercise of the Licensed Rights, whether directly or through a collecting society under any voluntary or waivable statutory or compulsory licensing scheme. In all other cases the Licensor expressly reserves any right to collect such royalties.

Section 3 – License Conditions.

Your exercise of the Licensed Rights is expressly made subject to the following conditions.

a. Attribution.

1. If You Share the Licensed Material (including in modified form), You must:

A. retain the following if it is supplied by the Licensor with the Licensed Material:

i. identification of the creator(s) of the Licensed Material and any others designated to receive attribution, in any reasonable manner requested by the Licensor (including by pseudonym if designated);

ii. a copyright notice;

- iii. a notice that refers to this Public License;
- iv. a notice that refers to the disclaimer of warranties;
- v. a URI or hyperlink to the Licensed Material to the extent reasonably practicable;

B. indicate if You modified the Licensed Material and retain an indication of any previous modifications; and

C. indicate the Licensed Material is licensed under this Public License, and include the text of, or the URI or hyperlink to, this Public License.

2. You may satisfy the conditions in Section 3(a)(1) in any reasonable manner based on the medium, means, and context in which You Share the Licensed Material. For example, it may be reasonable to satisfy the conditions by providing a URI or hyperlink to a resource that includes the required information.

3. If requested by the Licensor, You must remove any of the information required by Section 3(a)(1)(A) to the extent reasonably practicable.

4. If You Share Adapted Material You produce, the Adapter's License You apply must not prevent recipients of the Adapted Material from complying with this Public License.

Section 4 – Sui Generis Database Rights.

Where the Licensed Rights include Sui Generis Database Rights that apply to Your use of the Licensed Material:

- a. for the avoidance of doubt, Section 2(a)(1) grants You the right to extract, reuse, reproduce, and Share all or a substantial portion of the contents of the database;
- b. if You include all or a substantial portion of the database contents in a database in which You have Sui Generis Database Rights, then the database in which You have Sui Generis Database Rights (but not its individual contents) is Adapted Material; and
- c. You must comply with the conditions in Section 3(a) if You Share all or a substantial portion of the contents of the database.

For the avoidance of doubt, this Section 4 supplements and does not replace Your obligations under this Public License where the Licensed Rights include other Copyright and Similar Rights.

Section 5 – Disclaimer of Warranties and Limitation of Liability.

a. Unless otherwise separately undertaken by the Licensor, to the extent possible, the Licensor offers the Licensed Material as-is and as-available, and makes no representations or warranties of any kind concerning the Licensed Material, whether express, implied, statutory, or other. This includes, without limitation, warranties of title, merchantability, fitness for a particular purpose, non-infringement, absence of latent or other defects, accuracy, or the presence or absence of errors,

whether or not known or discoverable. Where disclaimers of warranties are not allowed in full or in part, this disclaimer may not apply to You.

b. To the extent possible, in no event will the Licensor be liable to You on any legal theory (including, without limitation, negligence) or otherwise for any direct, special, indirect, incidental, consequential, punitive, exemplary, or other losses, costs, expenses, or damages arising out of this Public License or use of the Licensed Material, even if the Licensor has been advised of the possibility of such losses, costs, expenses, or damages. Where a limitation of liability is not allowed in full or in part, this limitation may not apply to You.

c. The disclaimer of warranties and limitation of liability provided above shall be interpreted in a manner that, to the extent possible, most closely approximates an absolute disclaimer and waiver of all liability.

Section 6 – Term and Termination.

a. This Public License applies for the term of the Copyright and Similar Rights licensed here. However, if You fail to comply with this Public License, then Your rights under this Public License terminate automatically.

b. Where Your right to use the Licensed Material has terminated under Section 6(a), it reinstates:

1. automatically as of the date the violation is cured, provided it is cured within 30 days of Your discovery of the violation; or

2. upon express reinstatement by the Licensor.

For the avoidance of doubt, this Section 6(b) does not affect any right the Licensor may have to seek remedies for Your violations of this Public License.

c. For the avoidance of doubt, the Licensor may also offer the Licensed Material under separate terms or conditions or stop distributing the Licensed Material at any time; however, doing so will not terminate this Public License.

d. Sections 1, 5, 6, 7, and 8 survive termination of this Public License.

Section 7 – Other Terms and Conditions.

a. The Licensor shall not be bound by any additional or different terms or conditions communicated by You unless expressly agreed.

b. Any arrangements, understandings, or agreements regarding the Licensed Material not stated herein are separate from and independent of the terms and conditions of this Public License.

Section 8 – Interpretation.

a. For the avoidance of doubt, this Public License does not, and shall not be interpreted to, reduce, limit, restrict, or impose conditions on any use of the Licensed Material that could lawfully

be made without permission under this Public License.

b. To the extent possible, if any provision of this Public License is deemed unenforceable, it shall be automatically reformed to the minimum extent necessary to make it enforceable. If the provision cannot be reformed, it shall be severed from this Public License without affecting the enforceability of the remaining terms and conditions.

c. No term or condition of this Public License will be waived and no failure to comply consented to unless expressly agreed to by the Licensor.

d. Nothing in this Public License constitutes or may be interpreted as a limitation upon, or waiver of, any privileges and immunities that apply to the Licensor or You, including from the legal processes of any jurisdiction or authority.

Creative Commons is not a party to its public licenses. Notwithstanding, Creative Commons may elect to apply one of its public licenses to material it publishes and in those instances will be considered the “Licensor.” Except for the limited purpose of indicating that material is shared under a Creative Commons public license or as otherwise permitted by the Creative Commons policies published at creativecommons.org/policies, Creative Commons does not authorize the use of the trademark “Creative Commons” or any other trademark or logo of Creative Commons without its prior written consent including, without limitation, in connection with any unauthorized modifications to any of its public licenses or any other arrangements, understandings, or agreements concerning use of licensed material. For the avoidance of doubt, this paragraph does not form part of the public licenses.

Creative Commons may be contacted at creativecommons.org.

Appendix E

References

“Leeds & Northrup Apparatus at the Louisiana Purchase Exposition 1904”, The Leeds & Northrup Corporation, Philadelphia, PA, 1904.

Appendix F

Version history

This is a list showing all significant additions, corrections, and other edits made to this learning module. Each entry is referenced by calendar date in reverse chronological order (newest version first), which appears on the front cover of every learning module for easy reference. Any contributors to this open-source document are listed here as well.

31 January 2025 – added another Quantitative Reasoning question, this one based on the legacy Radio Shack 30-in-one project kit where connections between components are made using tension-spring connectors and wires.

22 December 2024 – added another Quantitative Reasoning question, this one based on a Leeds & Northrup resistance box advertised in 1904 using brass plugs to create resistance values using a bare minimum of precision resistors. Also added a general “References” section in which to cite this 1904 pamphlet from the Louisiana Purchase Exposition (i.e. St. Louis World’s Fair).

2 October 2024 – added another “Challenging concepts” bullet-item to the list in the Introduction chapter.

29 August 2024 – added another section to the Introduction chapter specifically for challenges related to this module’s topic.

26 June 2024 – divided the Introduction chapter into two sections, one for students and one for instructors, and added content to the instructor section recommending learning outcomes and measures.

16 October 2023 – added a Case Tutorial section showing different applications of potentiometers as voltage dividers.

30 September 2023 – added content to the Potentiometers section of the Full Tutorial discussing their use as rheostats.

12 September 2023 – edited illustrations contained within the Concept review section of the Full Tutorial chapter (review.01 file) to show areas of higher and lower electrical potential by means of

color-coding conductors.

18 July 2023 – corrected a copy-and-paste error in the “Series lamp circuit with switches” Conceptual Reasoning question where I repeated the same question twice.

25 June 2023 – added Technical Reference section on grounding.

22-23 June 2023 – added a requirement in the “Explaining the meaning of calculations” Conceptual Question to also express each quantity using appropriate metric prefixes. Also fixed a typographical error courtesy of Annika Maki.

27 November 2022 – placed questions at the top of the itemized list in the Introduction chapter prompting students to devise experiments related to the tutorial content.

13 September 2022 – replaced incorrect quotation marks in a few places, as well as corrected some subscripts.

9 September 2022 – fixed a typographical error in the Full Tutorial where R_1 was mistakenly written as R_2 , courtesy of Kobe Wessels.

23 June 2022 – added some Challenge questions.

7 June 2022 – added a conceptual definition of resistance to the first page of the Simplified Tutorial chapter.

10 February 2022 – divided the Full Tutorial chapter into sections.

7 February 2022 – added a new sub-question to “VIRP table...” Quantitative Reasoning problem challenging students to check their work using estimation.

15 September 2021 – added more challenge questions.

18 August 2021 – minor edits to a schematic diagram in the Quantitative Reasoning section.

23 July 2021 – added foundational concept review to the “Identifying series circuits” Conceptual Reasoning question.

25 June 2021 – added V/I/R table tactic to the Simplified Tutorial.

22 June 2021 – added technical reference on resistor labeling.

15 June 2021 – added a new Case Tutorial section on simple rheometric sensor circuits.

28 May 2021 – minor edits to the Simplified Tutorial.

18 March 2021 – corrected multiple instances of “volts” that should have been capitalized “Volts”.

9-10 February 2021 – minor additions to the Introduction chapter.

7 January 2021 – typographical error correction (“carries” should have been “carriers” in the first sentence of the Simplified Tutorial), thanks to Brett Deaton.

15 September 2020 – minor additions to the Introduction chapter.

3 September 2020 – added Technical Reference section on metric prefixes.

29 August 2020 – significantly edited the Introduction chapter to make it more suitable as a pre-study guide and to provide cues useful to instructors leading “inverted” teaching sessions.

2 January 2020 – removed from from C++ code execution output, to clearly distinguish it from the source code listing which is still framed.

1 January 2020 – changed `main ()` to `main (void)` in C++ programming example.

19 September 2019 – minor edit to footnote in the Case Tutorial chapter.

14 September 2019 – added a Case Tutorial chapter.

26 August 2019 – added mention of difficult concepts to the Introduction.

16 June 2019 – minor edits to diagnostic questions, replacing “no multiple faults” with “no coincidental faults”.

10 February 2019 – added requirement in “Explaining the meaning of calculations” Conceptual Question to identify the principle applied in each step.

17 December 2018 – added an example C++ program showing simple series circuit calculations.

August 2018 – added content to the Introduction chapter.

April 2018 – added a Simplified Tutorial chapter. Also added reference to linear-adjustable potentiometers in addition to rotary.

November 2017 – minor edits.

August 2017 – added a conceptual question.

July 2017 – added photographs of potentiometers to the tutorial. Also substituted “property” for “characteristic” when describing series circuits, because this is a more mathematically conventional term.

May 2017 – added discussion of potentiometers to the tutorial.

January 2017 – minor clarifications made to the concepts of electrically common points and equipotential points.

October 2016 – created changelog for future use.

September 2016 – document first published.

Index

- Actuator, fluid, [27](#)
- Adding quantities to a qualitative problem, [128](#)
- Ammeter, [10](#), [20](#), [31](#)
- Ampere, [26](#)
- Annotating diagrams, [3](#), [127](#)

- Benchmark, [52](#)
- Blow, fuse action, [32](#)
- Breadboard, solderless, [114](#), [115](#)
- Breadboard, traditional, [117](#)

- C++, [58](#)
- Cadmium sulfide, [15](#)
- Cardio-Pulmonary Resuscitation, [112](#)
- CGS system of units, [47](#)
- Charge, [25](#)
- Charge carrier, [26](#)
- Checking for exceptions, [128](#)
- Checking your work, [128](#)
- Circuit, [26](#), [27](#), [30](#)
- Circuit breaker, [32](#)
- Circuit, series, [30](#)
- Closed, [28](#)
- Code, computer, [135](#)
- Coefficient, temperature, [16](#)
- Color code, resistor, [48](#)
- Compiler, C++, [58](#)
- Computer programming, [57](#)
- Conductor, [26](#)
- Conservation of Charge, [25](#)
- Conservation of Electric Charge, [20](#), [30](#)
- Conservation of Energy, [20](#), [25](#), [35](#)
- Conservation of Mass, [25](#)
- Conventional flow notation, [27](#)
- Coulomb, [26](#)
- CPR, [112](#)
- Current, [10](#)

- Dalziel, Charles, [112](#)
- Datum, [52](#)
- Digital multimeter, [108](#), [123](#), [125](#)
- Dimensional analysis, [127](#)
- DIN rail, [115](#)
- Diode, light-emitting, [96](#)
- DIP, [114](#)
- Divider, voltage, [38](#), [98](#)
- DMM, [108](#), [123](#), [125](#)

- Edwards, Tim, [136](#)
- Electric charge, [10](#), [25](#)
- Electric current, [26](#)
- Electric field, [25](#)
- Electric potential, [26](#), [51](#)
- Electric shock, [112](#)
- Electrically common points, [27](#), [113](#)
- Enclosure, electrical, [117](#)
- Energy, [25](#)
- Equipotential points, [27](#), [113](#), [115](#)
- European-style schematic symbols, [102](#), [105](#)
- Experiment, [118](#)
- Experimental guidelines, [119](#)
- Extension cord, [97](#)

- Fluid power circuit, [27](#)
- Fuse, [20](#), [32](#), [108](#)

- Graph values to solve a problem, [128](#)
- Greenleaf, Cynthia, [69](#)
- Ground, [52](#), [105](#)
- Ground, different definitions of, [51](#)

- Heater, electric, [97](#)
- Hot, [55](#)
- How to teach with these modules, [130](#)
- Hwang, Andrew D., [137](#)

- IC, 114
- Identify given data, 127
- Identify relevant principles, 127
- IEC 60062 standard, 49
- Instructions for projects and experiments, 131
- Insulator, 26
- Intermediate results, 127
- Interpreter, Python, 62
- Inverted instruction, 130
- Ion, 26

- Java, 59
- Jumper wire, 10

- Kinetic energy, 25
- Knuth, Donald, 136

- Lampert, Leslie, 136
- LED, 96
- Light-emitting diode, 96
- Limiting cases, 128
- Linear potentiometer, 41
- Loading, voltage divider, 39

- Mean Sea Level, 52
- Metacognition, 74
- MKS system of units, 47
- Moolenaar, Bram, 135
- Motor, fluid, 27
- Multimeter, 108, 123, 125
- Murphy, Lynn, 69

- Netlist, SPICE, 100, 102
- Network, 38
- Neutral, 55
- NTC, 16

- Ohm, 26, 48
- Ohm's Law, 20, 29
- Open, 28
- Open-source, 135
- Overcurrent protection, 32

- PCB, 41
- Photocell, 15
- Polarity, voltage, 27
- Potential difference, 26
- Potential distribution, 115
- Potential energy, 25
- Potential, electric, 26, 51
- Potentiometer, 23, 40
- Power, 20, 29
- Power rating, potentiometer, 41
- Printed circuit board, 41
- Problem-solving: annotate diagrams, 3, 127
- Problem-solving: check for exceptions, 128
- Problem-solving: checking work, 128
- Problem-solving: dimensional analysis, 127
- Problem-solving: graph values, 128
- Problem-solving: identify given data, 127
- Problem-solving: identify relevant principles, 127
- Problem-solving: interpret intermediate results, 127
- Problem-solving: limiting cases, 128
- Problem-solving: qualitative to quantitative, 128
- Problem-solving: quantitative to qualitative, 128
- Problem-solving: reductio ad absurdum, 128
- Problem-solving: simplify the system, 127
- Problem-solving: thought experiment, 119, 127
- Problem-solving: track units of measurement, 127
- Problem-solving: visually represent the system, 127
- Problem-solving: work in reverse, 128
- Programming, computer, 57
- Project management guidelines, 122
- PTC, 16
- Pump, fluid, 27
- Python, 62

- Qualitatively approaching a quantitative problem, 128

- Reading Apprenticeship, 69
- Reductio ad absurdum, 128–130
- Resistance, 26, 48
- Resistor color code, 48
- Resistor, shunt, 50, 101
- Rheometric, 15
- Rheostat, 41
- RKM code, 49

- Safety, electrical, 112

Sag, voltage, 39
Schoenbach, Ruth, 69
Scientific method, 74, 118
Scope creep, 122
Sea Level, Mean, 52
Sensor, 15
Series, 20
Series circuit, 30
Series-parallel circuit, 39
Short, 28
Shunt resistor, 50, 101, 114
Simplifying a system, 127
SMD, 50
Socrates, 129
Socratic dialogue, 130
Solderless breadboard, 114, 115
Source code, 58
SPICE, 69, 100, 102, 119
SPICE netlist, 116
Stallman, Richard, 135
Subpanel, 117
Surface mount, 115
Surface mount device, 50
Switch, 28

Terminal block, 13, 113–117
Thermistor, 16
Thought experiment, 119, 127
Torvalds, Linus, 135

Units of measurement, 127

Visualizing a system, 127
Volt, 26
Voltage, 11, 26, 51
Voltage “sag”, 39
Voltage divider, 38, 98
Voltmeter, 10

Watt, 20, 29
Whitespace, C++, 58, 59
Whitespace, Python, 65
Wiring sequence, 116
Work in reverse to solve a problem, 128
WYSIWYG, 135, 136