

BTC Instrumentation and Control Technology

Certification prep exam

This is a multiple-choice exam. Books and hand-written notes are allowed, as well as a scientific calculator. However, you may not reference old exams, course assignments, or other printed materials.

You are to choose the *best* answer for each question. This means there may be more than one answer which could be considered correct, but there will definitely be *one* answer that is better than all others.

It is strongly recommended that you do not change an answer unless you are absolutely sure it needs to be changed. If you feel unsure, leave your initial answer, because it is probably right.

A wrong answer counts the same as an unanswered question, so it pays to guess if you do not know the answer to a question.

This exam is an overview of concepts spanning the entire two-year stretch of the Instrumentation and Control Technology program. Unless you are just finishing the final quarter of this program, you will no doubt find some sections of the exam unfamiliar. Do not be concerned about this – simply do your best to answer all the questions.

The second page of this exam is a bubble-type answer sheet. When the exam time begins, you are to detach this sheet from the rest of the exam, write your name on this sheet, and also mark the quarters you have studied (**F**, **W**, **S** ; Fall, Winter, and Spring) in the Instrumentation and Control Technology program.

Question 1 – Industrial safety

The purpose of a lock-out/tag-out procedure is to:

- (A) Reduce time spent doing the job
- (B) Eliminate expenses related to maintenance
- (C) Prevent unauthorized personnel from entering an area
- (D) Reduce the risk of accidental fire
- (E) Secure all energy sources in a system

Question 2 – Industrial safety

A victim of electric shock may likely require what sort of immediate medical attention?

- (A) CPR
- (B) Antibiotics to prevent infection
- (C) Bandages over the point of electrical contact
- (D) An EEG test to record nervous system function
- (E) Ice applied to the burned areas

Question 3 – Industrial safety

The *very first* thing you should do if you are the first to witness or discover an accident on the job site is to:

- (A) Go to the scene and help the person(s) injured
- (B) Go find at least one co-worker to help you so you can work as a team
- (C) Activate the emergency response system (equivalent to dialing “911”)
- (D) Find and fill out the necessary forms to document the incident
- (E) Contact your supervisor to report the incident

Question 4 – Industrial safety

The purpose of a cartridge-style respirator is to:

- (A) Reduce the concentration of particulates in the air you breathe
- (B) Provide a pure oxygen breathing environment where there is insufficient oxygen in the air
- (C) Enhance your personal appearance for maximum social appeal
- (D) Convert exhaled carbon dioxide back into oxygen for re-breathing
- (E) Reduce noxious odors in the air you breathe

Question 5 – Industrial safety

Shock is defined as an abnormal condition of the body where:

- (A) The muscles in the body have “frozen” and will not move
- (B) There is insufficient blood delivered to the body’s cells
- (C) A broken bone has penetrated the skin
- (D) The lungs are unable to process oxygen properly
- (E) The heart stops beating normally, and “quivers” instead

Question 6 – Industrial safety

A *confined space* is deemed ready for employee entry when:

- (A) Your supervisor assigns you to the job
- (B) The unit operations foreman declares it ready
- (C) An engineer has completed the necessary calculations
- (D) An independent inspection agency has completed their survey
- (E) A company safety inspector has certified it

Question 7 – Industrial safety

One of the common signs of a heart attack is:

- (A) Discomfort in the chest and/or upper body
- (B) Loss of bowel control
- (C) A feeling of numbness in the legs
- (D) A sharp pain in the lower area of the spine
- (E) A general feeling of restlessness and anxiety

Question 8 – Industrial safety

Heat stroke is often indicated by the following symptoms:

- (A) Blue-colored skin, extreme hunger, feelings of anxiety, thirst
- (B) Cold and clammy skin, thirst, vomiting, confusion
- (C) Dizziness, vomiting, cold skin, profuse sweating
- (D) A sudden affinity for country-western music
- (E) Hot and dry skin, inability to drink, vomiting, confusion

Question 9 – Industrial safety

Arc blast is caused by:

- (A) Failure to lock-out and tag-out electrical breakers
- (B) Discharge of high electrical current through open air
- (C) Poor contact within electrical wire splices
- (D) Ionization of gases near high-voltage electrical conductors
- (E) Radio frequency emissions from high-power transmitters

Question 10 – Industrial safety

Current measurements are more dangerous to make with a multimeter than voltage measurements because:

- (A) The circuit must be broken (opened)
- (B) Most multimeters are unfused
- (C) A fuse protects the voltage measurement ranges, but not current
- (D) The resulting magnetic fields may be very strong
- (E) You must use both hands to take the measurement

Question 11 – Algebra

Manipulate the following equation to solve for x :

$$y = \frac{ab}{x}$$

- (A) $x = \frac{a}{by}$
- (B) $x = \frac{y}{ab}$
- (C) $x = aby$
- (D) $x = \frac{ab}{y}$
- (E) $x = \frac{ay}{b}$

Question 12 – Algebra

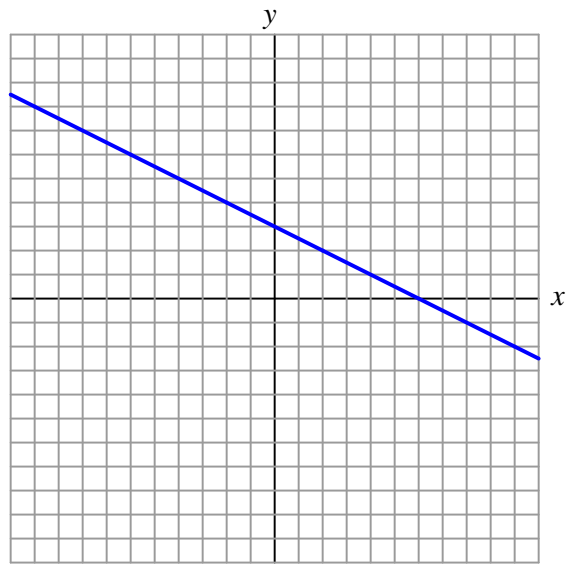
Manipulate the following equation to solve for x :

$$a = \sqrt{b^3x}$$

- (A) $x = \frac{\sqrt{b^3}}{a}$
- (B) $x = \frac{a}{\sqrt{b^3}}$
- (C) $x = \frac{a^2}{b^5}$
- (D) $x = \frac{a^2}{b^3}$
- (E) $x = \frac{a}{b^3}$

Question 13 – Algebra

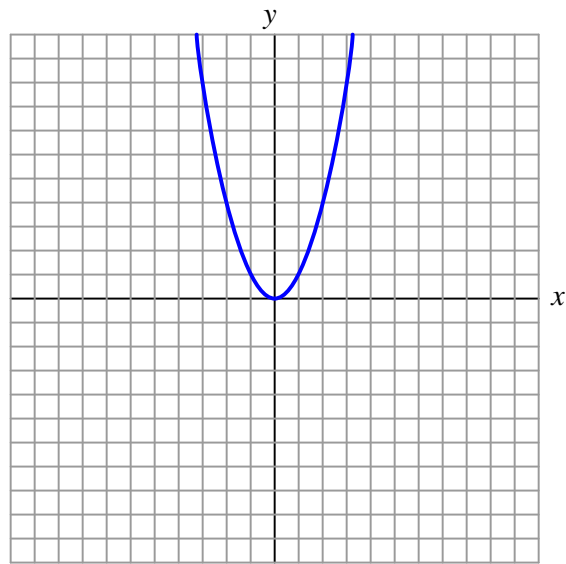
Which of the following equations describes this graph?



- (A) $y = x - \frac{1}{2}$
- (B) $y = \frac{-x}{2} + 3$
- (C) $y = x^2 - 3$
- (D) $y = \frac{1}{2}x + 3$
- (E) $y = 3 - 2x$

Question 14 – Algebra

Which of the following equations describes this graph?



- (A) $y = \sqrt[3]{x}$
- (B) $y = 2x$
- (C) $y = x^2$
- (D) $y = x^{-2}$
- (E) $y = \sqrt{x}$

Question 15 – Algebra

Solve for both x and y in this simultaneous system of equations:

$$x + 3y = -1$$

$$4x - y = 9$$

- (A) $x = 1 ; y = 2$
- (B) $x = 2 ; y = 1$
- (C) $x = -2 ; y = 1$
- (D) $x = 2 ; y = -1$
- (E) $x = -1 ; y = 2$

Question 16 – Algebra

Which of the following ratios is equivalent to the ratio 25:300 ?

- (A) 15:4
- (B) 1:12
- (C) 15:1
- (D) 17:5
- (E) 5:17

Question 17 – Algebra

Simplify the following expression as much as possible:

$$\left(\frac{a^4b^{-2}c}{ab^2}\right)\left(\frac{x^2y^2c^2}{a^2b^3}\right)$$

- (A) $(ab)^4c^3(xy)^4$
- (B) $ab^{-7}c^3x^2y^2$
- (C) $a\sqrt{b^5}c^3x^4y^4$
- (D) $a^{-1}b^7c^2x^2y^2$
- (E) $a^2b^{-3}c^2x^2y^2$

Question 18 – Algebra

Select the equivalent expression:

$$\frac{1}{\sqrt{x^3}}$$

- (A) $-\sqrt{x^3}$
- (B) $x^{3/2}$
- (C) $x^{-3/2}$
- (D) $x^{2/3}$
- (E) $2x^{-1/3}$

Question 19 – Algebra

Calculate 27% of 340.

- (A) 79.4
- (B) 88.8
- (C) 81.0
- (D) 12.6
- (E) 91.8

Question 20 – Algebra

Factor the following polynomial expression:

$$x^2 - x - 12$$

- (A) $(x + 4)(x - 3)$
- (B) $(x + 1)(x - 12)$
- (C) $(x + 2)(x - 6)$
- (D) $(x + 12)(x - 1)$
- (E) $(x + 3)(x - 4)$

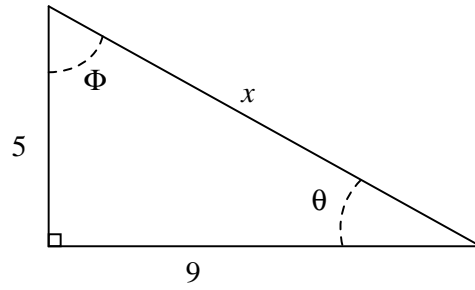
Question 21 – Trigonometry

The *sine* function is defined as ratio of side lengths,

- (A) Opposite divided by hypotenuse
- (B) Opposite divided by adjacent
- (C) Adjacent divided by opposite
- (D) Hypotenuse divided by adjacent
- (E) Adjacent divided by hypotenuse

Question 22 – Trigonometry

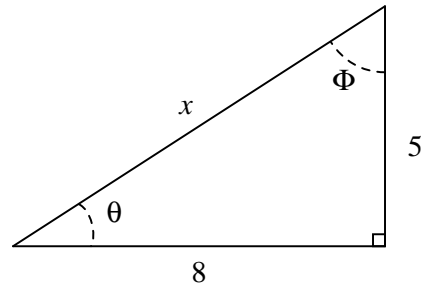
Calculate the length of side x in this right triangle:



- (A) 10.8
- (B) 3.74
- (C) 10.3
- (D) 9.43
- (E) 4.00

Question 23 – Trigonometry

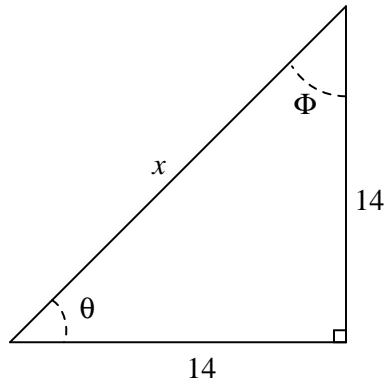
Calculate the angle Φ in this right triangle:



- (A) 38.68°
- (B) 57.99°
- (C) 1.012°
- (D) 64.44°
- (E) 51.32°

Question 24 – Trigonometry

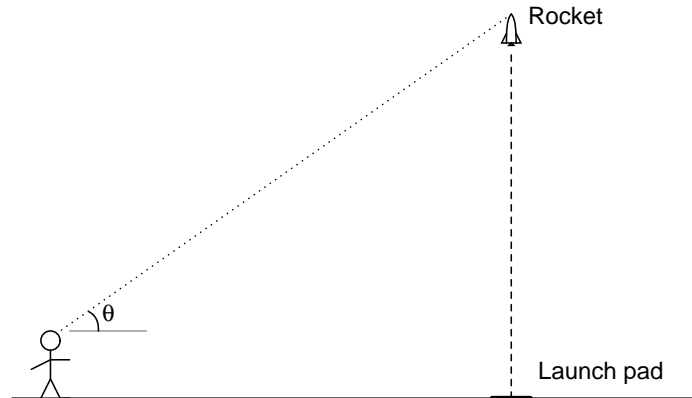
Calculate the angle θ in this right triangle:



- (A) 45°
- (B) 19.80°
- (C) 50°
- (D) 14°
- (E) $\frac{\pi}{4}^\circ$

Question 25 – Trigonometry

A model rocket enthusiast wants to approximately measure the peak altitude of her rocket by measuring the angle from horizontal (θ) sighting the rocket at its apogee and the distance from the launch pad to the point of observation. Which trigonometric function will she need to use in order to calculate the rocket's height?



- (A) Tangent
- (B) Cosine
- (C) Cosecant
- (D) Sine
- (E) Secant

Question 26 – Trigonometry

Add these two complex numbers and express the sum in polar notation:

$$(5 - j3) + (-8 - j10)$$

- (A) $14.765 \angle 28.3^\circ$
- (B) $14.765 \angle 61.7^\circ$
- (C) $13.342 \angle -103^\circ$
- (D) $-3 + j13$
- (E) $18.385 \angle -45^\circ$

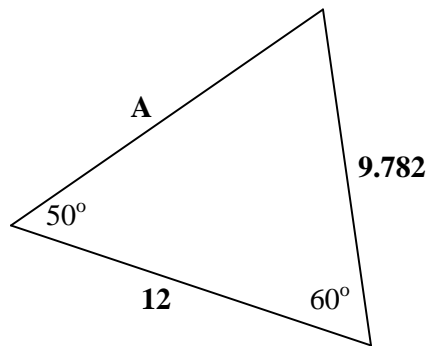
Question 27 – Trigonometry

Complex numbers are used in AC circuit analysis primarily to represent:

- (A) Frequency
- (B) Power
- (C) Bandwidth and harmonic content
- (D) Amplitude and phase shift
- (E) Gain and attenuation factors

Question 28 – Trigonometry

Calculate the length of side **A** in this non-right triangle:



- (A) 12
- (B) 11.06
- (C) 18.67
- (D) 12.77
- (E) 15.48

Question 29 – Trigonometry

Convert an angle of 75 degrees into radians:

- (A) 1.571 radians
- (B) 0.7854 radians
- (C) 1.309 radians
- (D) 1.178 radians
- (E) 3.142 radians

Question 30 – Trigonometry

If the cosine of angle θ is equal to 0.5, and the length of the *opposite* side is 20 meters, calculate the length of the hypotenuse.

- (A) 23.09 meters
- (B) 20.01 meters
- (C) 40 meters
- (D) 17.32 meters
- (E) 44.72 meters

Question 31 – Chemistry and physics

An atom of Lead (Pb) has an atomic number of 82, and an atomic mass of 207. How many neutrons does the nucleus of one Lead atom contain?

- (A) 125
- (B) 289
- (C) 82
- (D) 110
- (E) 207

Question 32 – Chemistry and physics

An *alkaline* solution has a pH value . . .

- (A) greater than 7
- (B) at least 11
- (C) greater than 6
- (D) less than 6
- (E) less than 7

Question 33 – Chemistry and physics

A *catalyst* is a substance that . . .

- (A) moderates the velocities of neutrons in a fission reaction
- (B) buffers an alkaline solution for a more stable pH value
- (C) polarizes light so that the waves are oriented in one plane
- (D) dissolves in water to form an ionic solution
- (E) accelerates a chemical reaction without being consumed

Question 34 – Chemistry and physics

Use the *Ideal Gas Law* to calculate the volume of an ideal gas sample containing 1 mole of gas at 20 degrees C and at a pressure of 2 atmospheres.

- (A) 1.687 liters
- (B) 11.21 liters
- (C) 0.821 liters
- (D) 12.03 liters
- (E) 178.5 liters

Question 35 – Chemistry and physics

A chemical reaction that releases more energy than it consumes is called:

- (A) Endothermic
- (B) Spontaneous
- (C) Catalytic
- (D) Exothermic
- (E) Catalytic

Question 36 – Chemistry and physics

Calculate the kinetic energy of an object moving at a speed of 15 meters per second, having a mass of 40 kilograms.

- (A) 9,000 joules
- (B) 600 joules
- (C) 300 joules
- (D) 4,500 joules
- (E) 12,000 joules

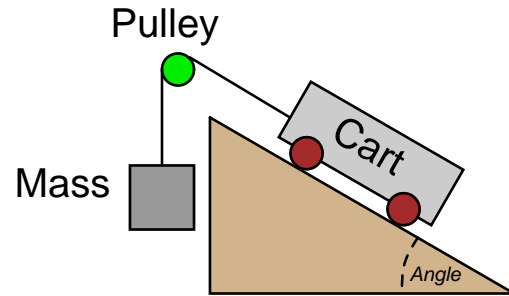
Question 37 – Chemistry and physics

Calculate the gravitational potential energy of a 50 kilogram mass lifted 24 meters vertically above the ground.

- (A) 14,400 joules
- (B) 1,200 joules
- (C) 5,880 joules
- (D) 600 joules
- (E) 11,760 joules

Question 38 – Chemistry and physics

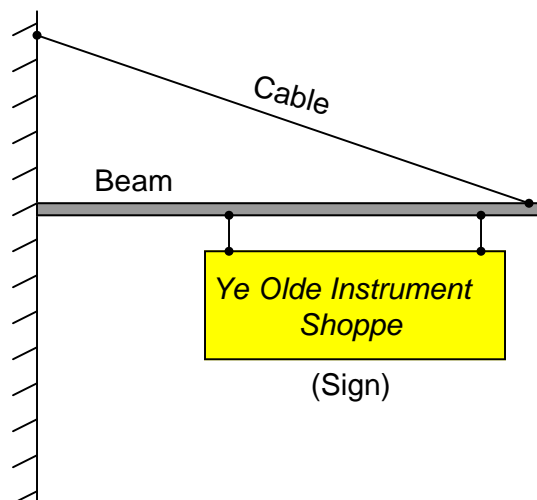
Calculate the angle of the incline necessary so that the cart (on wheels) and the suspended mass precisely balance one another in this cable-and-pulley system. The mass is 450 kg and the cart is 1370 kg:



- (A) 23.21°
- (B) 15.08°
- (C) 70.82°
- (D) 19.18°
- (E) 18.18°

Question 39 – Chemistry and physics

The tension in the cable holding up the sign is . . .



- (A) less than the weight of the sign
- (B) always changing with temperature
- (C) greater than the weight of the sign
- (D) equal to the weight of the sign
- (E) a negative quantity

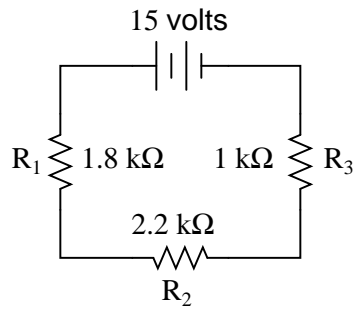
Question 40 – Chemistry and physics

The *latent heat of vaporization* for water is . . .

- (A) less than the specific heat
- (B) greater than the latent heat of fusion
- (C) greater than the melting point
- (D) less than the latent heat of fusion
- (E) equal to the latent heat of fusion

Question 41 – DC circuit theory

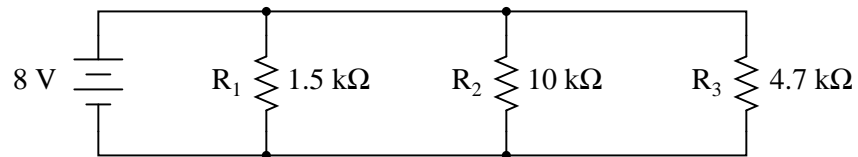
Determine the voltage dropped across resistor R_3 in this circuit:



- (A) 6.6 volts
- (B) 5.4 volts
- (C) 15 volts
- (D) 3.0 volts
- (E) 7.5 volts

Question 42 – DC circuit theory

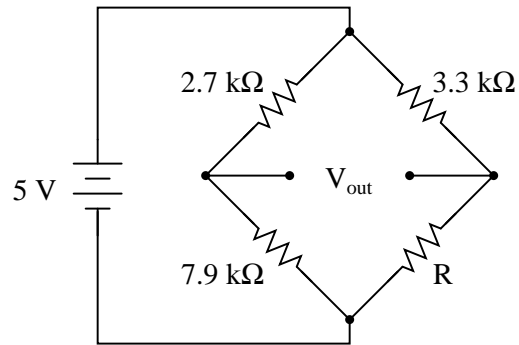
Calculate total current in this circuit:



- (A) 8.000 mA
- (B) 7.835 mA
- (C) 8.168 mA
- (D) 493.8 μA
- (E) 5.333 mA

Question 43 – DC circuit theory

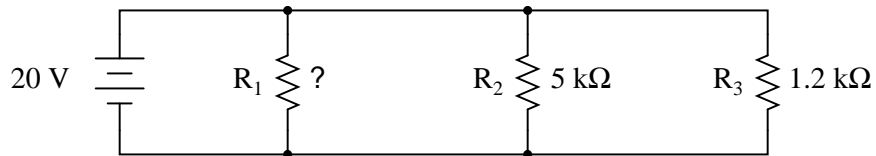
Calculate the necessary resistor value (R) to balance this bridge circuit:



- (A) 8.501 kΩ
- (B) 5.830 kΩ
- (C) 7.299 kΩ
- (D) 6.464 kΩ
- (E) 9.656 kΩ

Question 44 – DC circuit theory

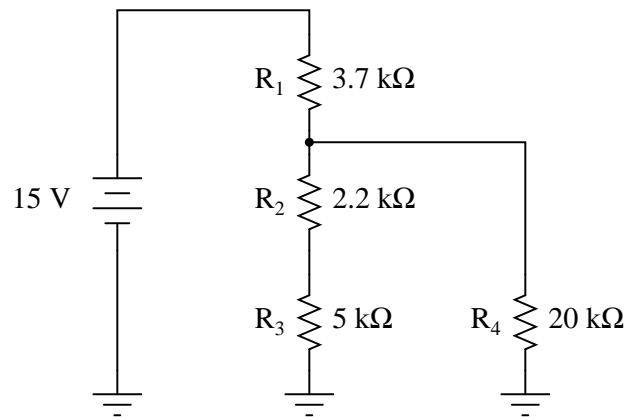
Calculate the necessary resistor size for R_1 to make the total circuit current equal to 30 milliamps:



- (A) 1.500 kΩ
- (B) 967.7 Ω
- (C) 666.7 Ω
- (D) 310.0 Ω
- (E) 2.143 kΩ

Question 45 – DC circuit theory

Calculate the current through resistor R_4 in this circuit:



- (A) 8.994 mA
- (B) 1.226 mA
- (C) 441.5 μA
- (D) 1.668 mA
- (E) 4.054 mA

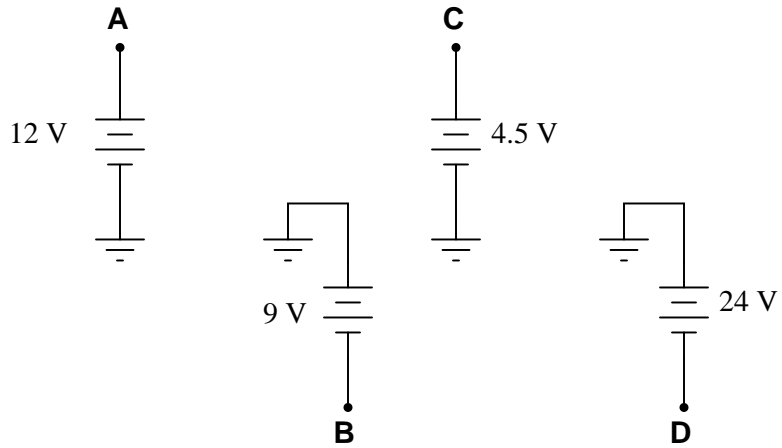
Question 46 – DC circuit theory

Voltages and currents in an RC or LR time-constant circuit will settle to within 1% of their final value(s) in how many time constants?

- (A) 2
- (B) 4
- (C) 10
- (D) 3
- (E) 5

Question 47 – DC circuit theory

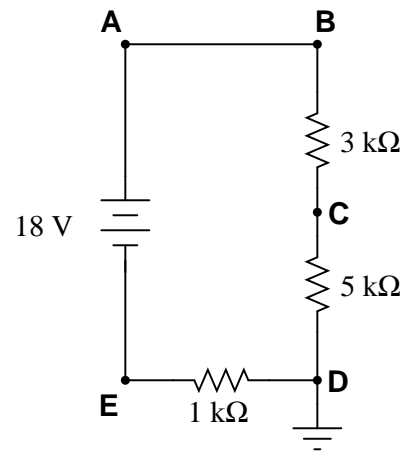
How much voltage will a DMM register if connected with the red test lead on point **B** and the black test lead on point **C**?



- (A) +4.5 volts
- (B) -4.5 volts
- (C) +13.5 volts
- (D) +2 volts
- (E) -13.5 volts

Question 48 – DC circuit theory

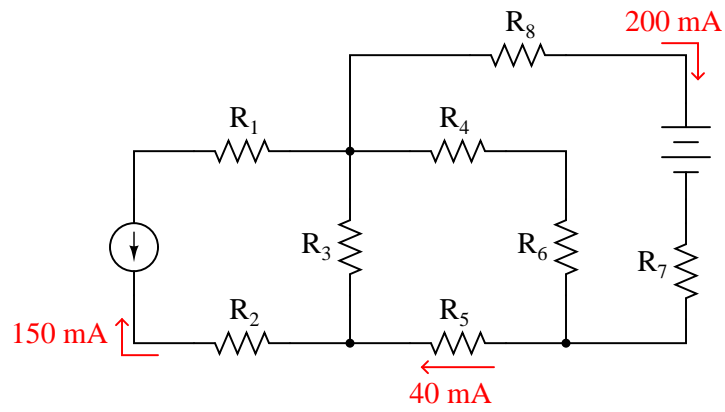
Calculate the voltage between test point **B** and ground in this circuit:



- (A) 20 volts
- (B) 18 volts
- (C) 2 volts
- (D) 16 volts
- (E) 6 volts

Question 49 – DC circuit theory

Determine the magnitude and direction of current through resistor R_4 in this circuit:

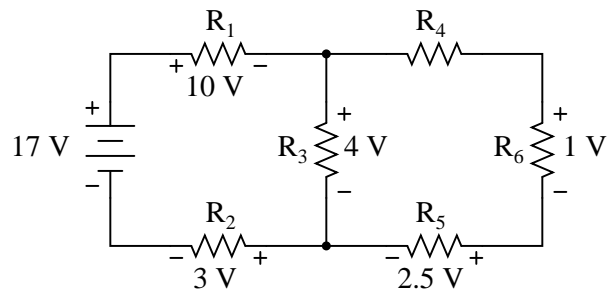


Note: all current arrows point in the direction of electron flow!

- (A) $240\text{ mA} \rightarrow$ (left to right)
- (B) $160\text{ mA} \leftarrow$ (right to left)
- (C) $200\text{ mA} \rightarrow$ (left to right)
- (D) $240\text{ mA} \leftarrow$ (right to left)
- (E) $160\text{ mA} \rightarrow$ (left to right)

Question 50 – DC circuit theory

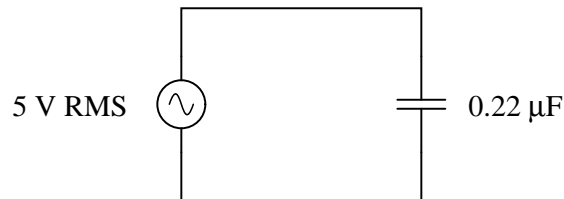
Determine the magnitude and polarity of the voltage across resistor R_4 in this circuit:



- (A) - 1.0 volt + (negative on left, positive on right)
- (B) - 7.0 volts + (negative on left, positive on right)
- (C) - 3.5 volts + (negative on left, positive on right)
- (D) + 0.5 volts - (positive on left, negative on right)
- (E) + 4.0 volts - (positive on left, negative on right)

Question 51 – AC circuit theory

What will happen to the current in this circuit as frequency *increases*?



- (A) Current will remain the same
- (B) Cannot tell – not enough information given
- (C) Current will increase
- (D) Current will decrease
- (E) Current will decrease to a minimum and then increase

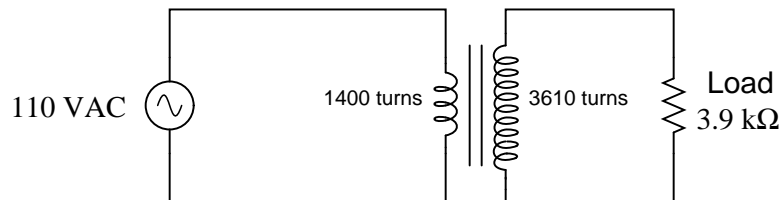
Question 52 – AC circuit theory

Resonance is defined as a condition in an AC circuit when:

- (A) no more magnetic flux may be forced into an iron core
- (B) opposition to electric current varies with frequency
- (C) complementary reactances are equal and opposite
- (D) voltage and current waveforms are exactly 90° out of phase
- (E) electrons are able to “tunnel” across an energy gap

Question 53 – AC circuit theory

Calculate the source and load currents in this transformer circuit:



- (A) $I_{source} = 77.22 \text{ mA}$ $I_{load} = 283.6 \text{ mA}$
- (B) $I_{source} = 187.5 \text{ mA}$ $I_{load} = 72.73 \text{ mA}$
- (C) $I_{source} = 186.5 \text{ mA}$ $I_{load} = 72.53 \text{ mA}$
- (D) $I_{source} = 164.2 \text{ mA}$ $I_{load} = 63.66 \text{ mA}$
- (E) $I_{source} = 72.53 \text{ mA}$ $I_{load} = 186.5 \text{ mA}$

Question 54 – AC circuit theory

The function on an oscilloscope that “locks in” waveforms so that they do not scroll horizontally across the screen is called the _____.

- (A) Horizontal sync
- (B) Timebase
- (C) Beam finder
- (D) Trigger
- (E) Cursor

Question 55 – AC circuit theory

A voltage gain of 25 (expressed as a unitless ratio) may also be expressed as _____ decibels (dB).

- (A) 17.78
- (B) 7.959
- (C) 27.96
- (D) 64.38
- (E) 13.98

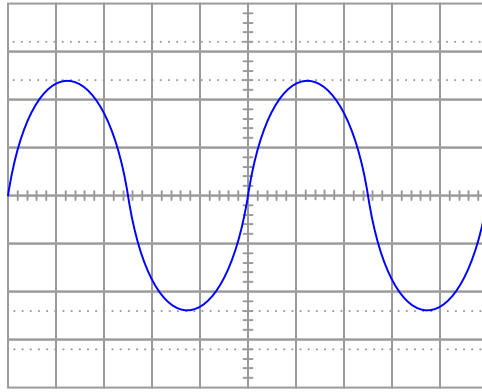
Question 56 – AC circuit theory

In an AC circuit where current lags voltage by 35° , the power factor is:

- (A) 0.707
- (B) 0.574
- (C) 0.700
- (D) 1.414
- (E) 0.819

Question 57 – AC circuit theory

Determine the frequency of this waveform shown on an oscilloscope screen:

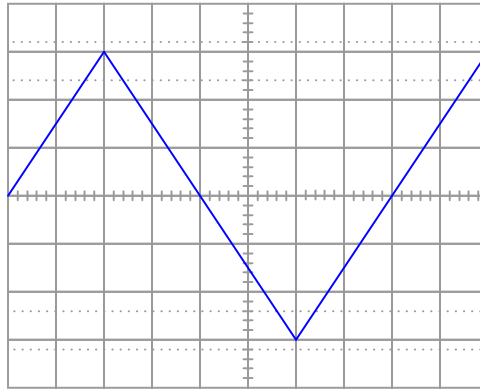


Vertical sensitivity = 2 volts/div
1:1 probe DC coupling
Timebase = 0.5 ms/div

- (A) 250 Hz
- (B) 0.4 Hz
- (C) 400 Hz
- (D) 10 kHz
- (E) 10 Hz

Question 58 – AC circuit theory

Calculate the RMS value of this triangle wave, as shown by the oscilloscope:



Vertical sensitivity = 10 volts/div
1:1 probe DC coupling
Timebase = 5 μ s/div

- (A) 30 volts
- (B) 3.2 volts
- (C) 21.21 volts
- (D) 32 volts
- (E) 17.31 volts

Question 59 – AC circuit theory

If a communications cable has a *characteristic impedance* of 75 ohms, this means:

- (A) The cable's end-to-end resistance is 75 ohms
- (B) The cable's conductor-to-conductor resistance is 75 ohms
- (C) The cable should be terminated with a resistance equal to 37.5 ohms
- (D) The cable appears to a pulse signal as a 75 ohm load
- (E) The cable's conductor resistance is 75 ohms per mile of length

Question 60 – AC circuit theory

A *low pass filter* is a circuit that performs the following function:

- (A) Blocks high-frequency signals from passing through
- (B) Modifies the shape of an AC wave
- (C) Blocks low-frequency signals from passing through
- (D) Passes only the negative (low) portions of an AC wave
- (E) Attenuates low-frequency signals

Question 61 – Electric power and motor controls

The heating element used in an industrial electric boiler is rated at 15 kW, at 480 volts, 3 phase. Calculate the current drawn by each line of this 3-phase heater.

- (A) 18.04 amps
- (B) 18.48 amps
- (C) 31.25 amps
- (D) 32.00 amps
- (E) 10.42 amps

Question 62 – Electric power and motor controls

3-phase electrical systems are favored over single-phase systems for power distribution because:

- (A) It would be expensive to convert everything to single phase
- (B) 3-phase systems are easier to understand
- (C) More power may be transmitted using less copper (wire)
- (D) Single-phase electric motors are more rugged
- (E) 3-phase power is easier to step voltage up and down

Question 63 – Electric power and motor controls

An AC *induction motor* works on the principle of:

- (A) The Lorentz force
- (B) Voltage stepped up through mutual induction
- (C) Magnetic hysteresis
- (D) A rotating magnetic field
- (E) Magnetostriction converting magnetism to force

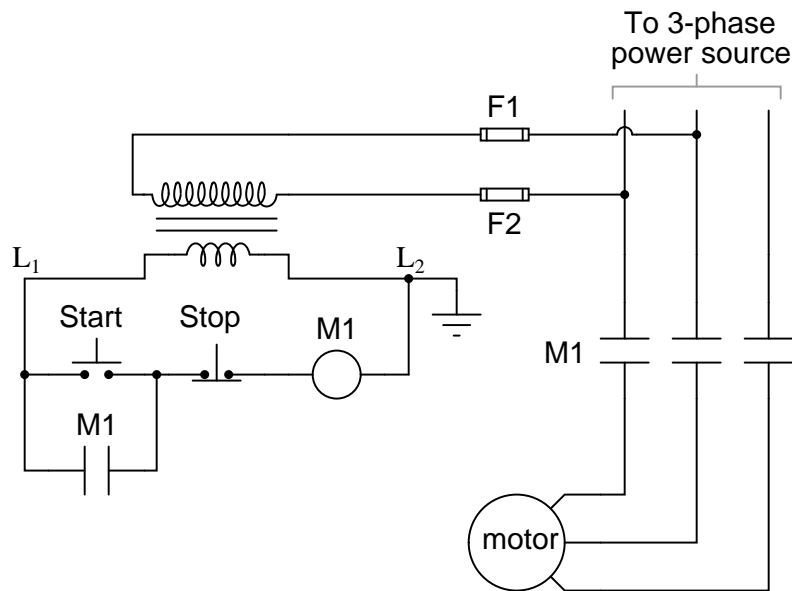
Question 64 – Electric power and motor controls

Variable frequency drives, or *VFDs*, are popular in industry for electric motor control because:

- (A) They increase the available horsepower from a motor
- (B) They cost less than an across-the-line starter
- (C) They potentially save energy
- (D) They make the motor run quieter
- (E) They increase the available torque from a motor

Question 65 – Electric power and motor controls

The “M1” contact in the low-voltage control circuit serves the purpose of:



- (A) Protecting the motor from overcurrent conditions
- (B) Ensuring the motor will stop even if the “stop” switch fails
- (C) Providing a fail-safe state for the motor
- (D) Latching the motor in the “run” state
- (E) Indicating when the motor is running

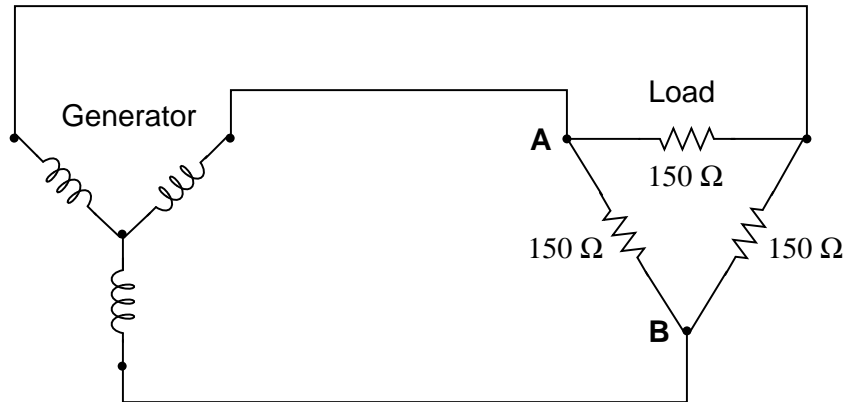
Question 66 – Electric power and motor controls

Overload heaters and overload contacts work together to:

- (A) Protect the motor against mild overcurrent conditions
- (B) Protect the motor against mechanical overloading
- (C) Protect the motor against massive overcurrent conditions
- (D) Protect the motor against lubrication failures
- (E) Protect the power lines against overcurrent conditions

Question 67 – Electric power and motor controls

Calculate the amount of voltage between points **A** and **B** in this balanced three-phase circuit, assuming a generator phase voltage of 4160 volts:



- (A) 27.73 V
- (B) 2.080 kV
- (C) 7.205 kV
- (D) 4.160 kV
- (E) 48.04 V

Question 68 – Electric power and motor controls

A single-phase AC electric motor draws 54.7 amps while being powered by a 240 volt source. Assuming perfect power factor (1.0) and an efficiency of 87%, calculate the mechanical horsepower output by this motor.

- (A) 20.24 hp
- (B) 17.18 hp
- (C) 14.95 hp
- (D) 17.60 hp
- (E) 15.32 hp

Question 69 – Electric power and motor controls

A *synchronous* motor differs from an *induction* motor by the fact that . . .

- (A) it operates on DC instead of AC
- (B) it uses fewer poles
- (C) it must be properly “timed”
- (D) it uses brushes
- (E) its speed is constant

Question 70 – Electric power and motor controls

DC motors are used in industry where . . .

- (A) superior low-speed torque is needed
- (B) the motor must tolerate constant vibration
- (C) low maintenance is necessary
- (D) the motor’s speed must remain constant
- (E) explosive gases may be present

Question 71 – Semiconductor circuit theory

P-type semiconductor materials are made to be that way due to _____ doping.

- (A) trivalent
- (B) intrinsic
- (C) nonvalent
- (D) pentavalent
- (E) extrinsic

Question 72 – Semiconductor circuit theory

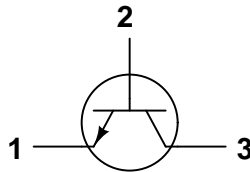
Identify the labels used to describe the left- and right-hand leads on this diode (respectively):



- (A) Anion and cation
- (B) Cathode and anode
- (C) Cation and anion
- (D) Anode and cathode
- (E) Pentode and tetrode

Question 73 – Semiconductor circuit theory

Identify the terminals of this transistor:



- (A) 1 = Drain ; 2 = Gate ; 3 = Source
- (B) 1 = Source ; 2 = Gate ; 3 = Drain
- (C) 1 = Emitter ; 2 = Base ; 3 = Collector
- (D) 1 = Gate ; 2 = Emitter ; 3 = Drain
- (E) 1 = Collector ; 2 = Base ; 3 = Emitter

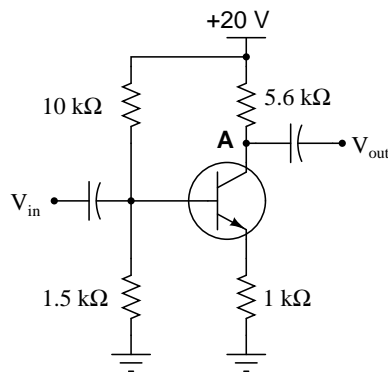
Question 74 – Semiconductor circuit theory

A *Hall Effect* device is a component typically used to . . .

- (A) measure an electrical resistance
- (B) detect vibration in machinery
- (C) suppress transient voltages
- (D) switch current on and off
- (E) measure magnetic field strength

Question 75 – Semiconductor circuit theory

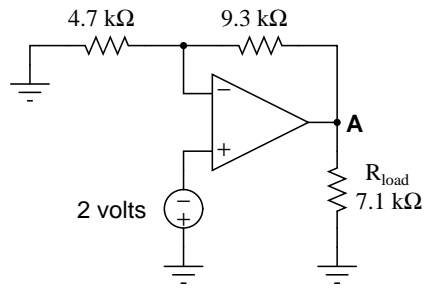
Estimate the amount of voltage between point **A** and ground in this transistor amplifier circuit under quiescent conditions. Assume an ideal silicon transistor:



- (A) 14.4 volts
- (B) 9.31 volts
- (C) 2.61 volts
- (D) 1.91 volts
- (E) 19.3 volts

Question 76 – Semiconductor circuit theory

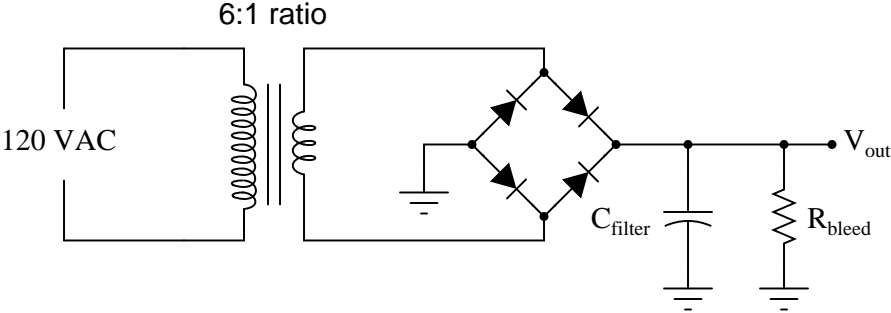
Calculate the voltage between point **A** and ground in this operational amplifier circuit:



- (A) -2.00 volts
- (B) -2.58 volts
- (C) +2.58 volts
- (D) +3.96 volts
- (E) -5.96 volts

Question 77 – Semiconductor circuit theory

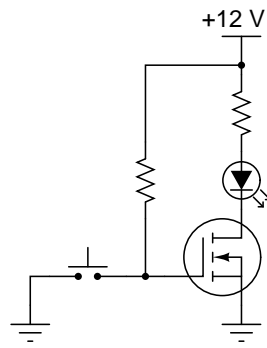
Estimate the DC output voltage of this power supply circuit, when unloaded. Assume the use of silicon rectifying diodes:



- (A) 42.4 volts
- (B) 18.6 volts
- (C) 26.9 volts
- (D) 19.3 volts
- (E) 20.0 volts

Question 78 – Semiconductor circuit theory

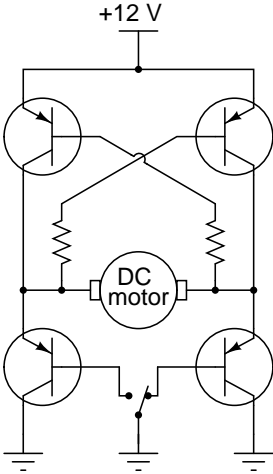
When the pushbutton switch is actuated, the LED will:



- (A) turn on
- (B) turn off
- (C) burn up
- (D) blink on and off
- (E) become dim

Question 79 – Semiconductor circuit theory

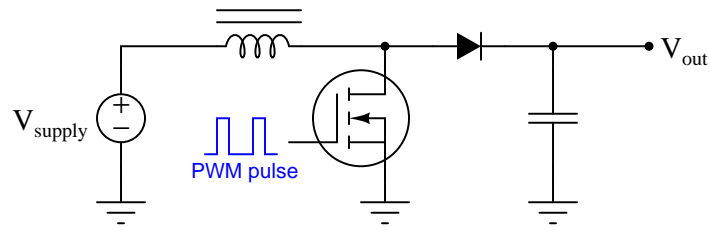
The following circuit is typically used to:



- (A) control motor speed
- (B) control motor torque
- (C) change motor direction
- (D) limit motor current
- (E) control motor frequency

Question 80 – Semiconductor circuit theory

Identify the function of this DC-DC converter circuit:



- (A) Boost or Buck voltage ; same output polarity as input
- (B) Buck voltage ; same output polarity as input
- (C) Boost voltage ; inverted output polarity
- (D) Boost voltage ; same output polarity as input
- (E) Buck voltage ; inverted output polarity

Question 81 – Digital circuit theory

Convert the decimal number 45,688 into binary.

- (A) 1000011100101011
- (B) 1011001001111000
- (C) 1010110011000010
- (D) 1110111000011011
- (E) 1001101011001110

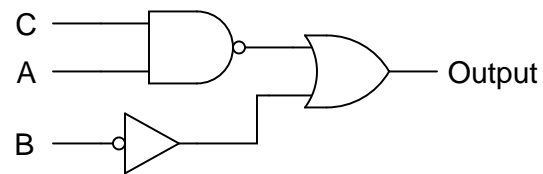
Question 82 – Digital circuit theory

The two's complement of the binary number 11001111 is:

- (A) 00110001
- (B) 11010000
- (C) 11110011
- (D) 00110000
- (E) 11110100

Question 83 – Digital circuit theory

The Boolean representation of this digital logic gate circuit is:



- (A) $\overline{B} + \overline{AC}$
- (B) $\overline{B} \overline{A} + \overline{C}$
- (C) $\overline{B} + \overline{A} \overline{C}$
- (D) $\overline{B + AC}$
- (E) $\overline{B + \overline{AC}}$

Question 84 – Digital circuit theory

The Boolean representation of this truth table is:

| A | B | C | Output |
|---|---|---|--------|
| 0 | 0 | 0 | 0 |
| 0 | 0 | 1 | 0 |
| 0 | 1 | 0 | 1 |
| 0 | 1 | 1 | 0 |
| 1 | 0 | 0 | 0 |
| 1 | 0 | 1 | 0 |
| 1 | 1 | 0 | 1 |
| 1 | 1 | 1 | 0 |

- (A) $A\bar{C}$
- (B) $B\bar{C}$
- (C) B
- (D) $\bar{A}\bar{B}C$
- (E) $AB + \bar{C}$

Question 85 – Digital circuit theory

The *reset* state of a flip-flop circuit is defined as:

- (A) $Q = 1$ and $\bar{Q} = 0$
- (B) $Q = 1$ and $\bar{Q} = 1$
- (C) Clock = falling edge
- (D) $Q = 0$ and $\bar{Q} = 1$
- (E) $Q = 0$ and $\bar{Q} = 0$

Question 86 – Digital circuit theory

Switch *debouncing* is a technique used for the purpose of:

- (A) Eliminating false switching events
- (B) Filtering noise
- (C) Extending the operating life of a switch
- (D) Canceling the effects of vibration
- (E) Reducing switch contact arcing

Question 87 – Digital circuit theory

In an electronic circuit schematic, V_{EE} represents:

- (A) The negative power supply rail of a field-effect transistor circuit
- (B) The negative power supply rail of a bipolar transistor circuit
- (C) The positive power supply rail of a field-effect transistor circuit
- (D) The positive power supply rail of a bipolar transistor circuit
- (E) The positive power supply rail of an ECL transistor circuit

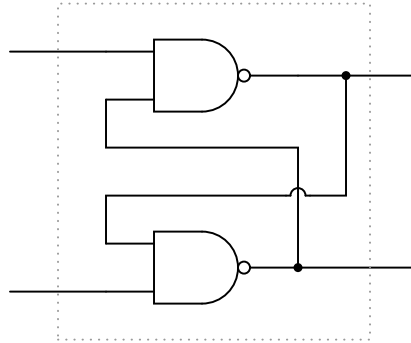
Question 88 – Digital circuit theory

ASCII is a digital code used for:

- (A) Code breaking
- (B) Detecting and correcting data errors
- (C) Representing alphanumeric characters
- (D) Organizing data stored on a hard disk
- (E) Describing angular position on a rotary encoder

Question 89 – Digital circuit theory

The following digital circuit is commonly known as a _____



- (A) gate
- (B) counter
- (C) register
- (D) one-shot
- (E) latch

Question 90 – Digital circuit theory

A digital logic gate equipped with a *tri-state* output is able to:

- (A) Latch an input state for later use
- (B) Produce an intermediate voltage state
- (C) Share an output line with another gate
- (D) Switch faster than a regular gate
- (E) Operate with three times less power

Question 91 – Basic control theory

A basic control loop will consist of:

- (A) signal converter, resistor, knob, and control valve
- (B) transducer, valve packing, hex-head wrench, and tubing
- (C) resistor, capacitor, terminal block, and battery
- (D) control valve, microprocessor, terminal block, and cables
- (E) transmitter, controller, I/P transducer, and control valve

Question 92 – Basic control theory

In order for a control loop to work well under a wide range of conditions, it must possess:

- (A) A very expensive transmitter
- (B) Negative feedback
- (C) Hysteresis
- (D) Calibration drift
- (E) Proper documentation

Question 93 – Basic control theory

Which of the following is not a “final control element”?

- (A) A pressure transmitter
- (B) An electric motor
- (C) A heating element
- (D) A control valve
- (E) A servo

Question 94 – Basic control theory

The purpose of a “shield” wire on an instrument signal cable is to:

- (A) Hold a steadier setpoint value
- (B) Minimize electrical noise
- (C) Ensure technician safety
- (D) Minimize the possibility of sparking
- (E) Protect the cable from corrosion

Question 95 – Basic control theory

The most common pneumatic signal standard for industrial process instruments is:

- (A) 1 to 5 PSI
- (B) 0 to 5 PSI
- (C) 4 to 20 PSI
- (D) 3 to 15 PSI
- (E) 0 to 20 PSI

Question 96 – Basic control theory

In a process controller, “output” refers to:

- (A) The target value for the measured variable
- (B) The command signal to the control valve
- (C) The DC supply power to the transmitter
- (D) The maximum value for the low-alarm point
- (E) The production quota for each work day

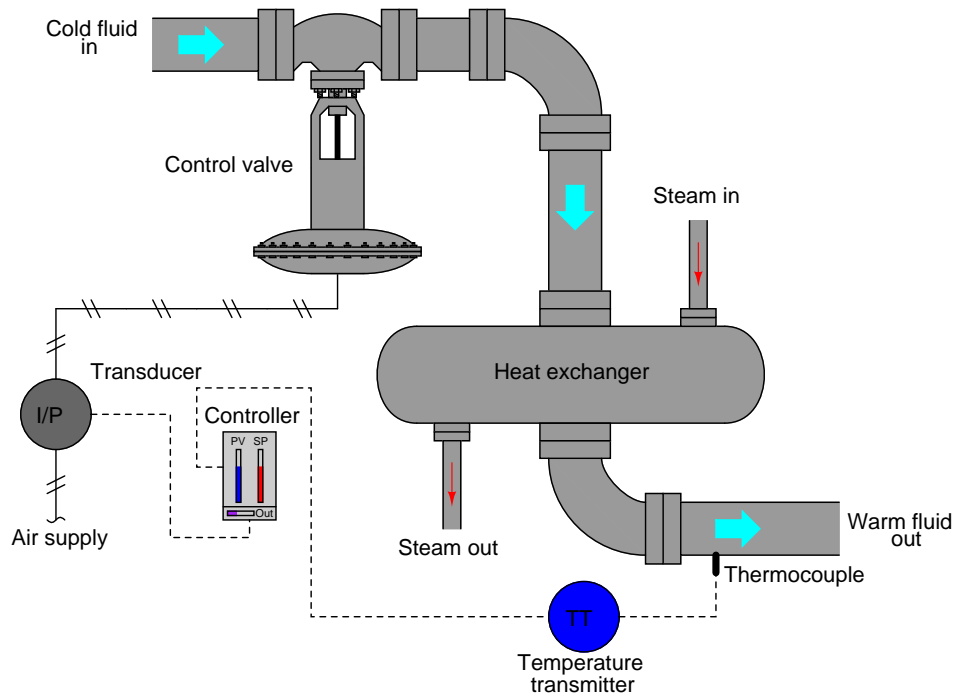
Question 97 – Basic control theory

Identify which of the following is an example of a “primary sensing element”:

- (A) I/P transducer
- (B) Instrument signal cable
- (C) Control valve
- (D) Diaphragm
- (E) Digital controller

Question 98 – Basic control theory

Identify the controller's proper action in the event that the thermocouple suddenly detects a *rise* in process temperature:



- (A) Completely close the control valve
- (B) Re-calibrate the temperature transmitter
- (C) Move the control valve further closed
- (D) Hold the control valve's position steady
- (E) Move the control valve further open

Question 99 – Basic control theory

In an automobile “cruise control” system, the vehicle’s speed is the:

- (A) Process variable
- (B) Setpoint
- (C) Manipulated variable
- (D) Inferred variable
- (E) Error variable

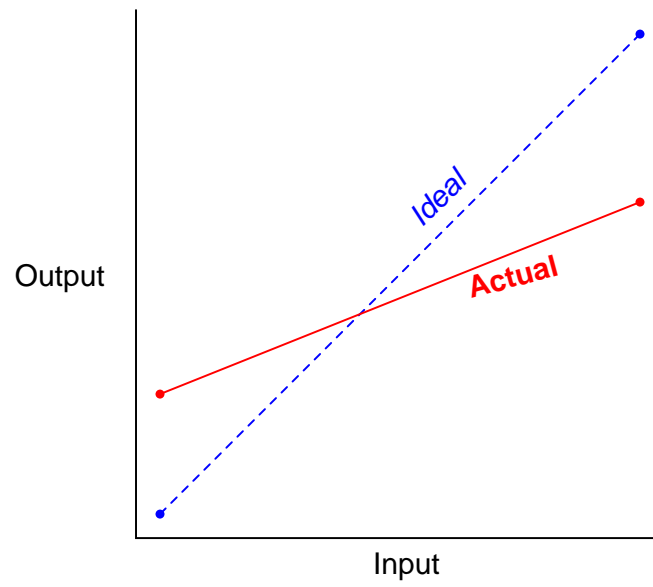
Question 100 – Basic control theory

The main purpose of having a “manual” mode on a process controller is to:

- (A) Allow a human operator to take control of the process
- (B) Facilitate calibration of the loop instruments
- (C) Provide a way to adjust the alarm points
- (D) Document maintenance work done on the loop
- (E) Limit the maximum travel of the control valve

Question 101 – Calibration principles

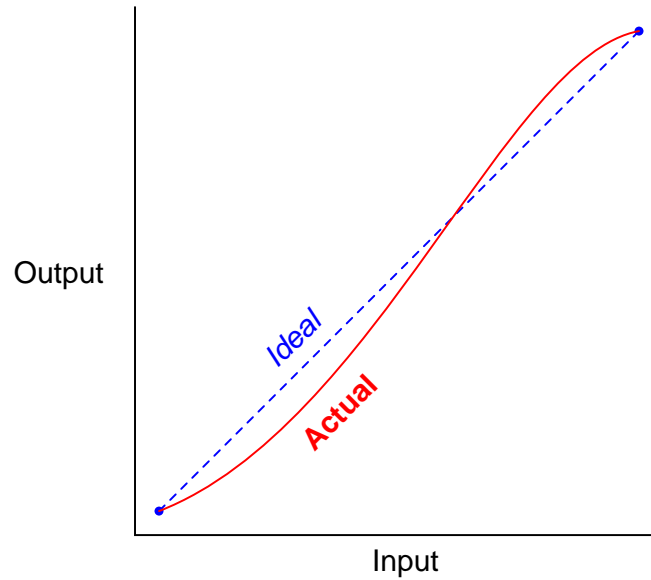
Identify the type of instrument calibration error(s) shown in this graph:



- (A) Zero error
- (B) Linearity error
- (C) Both zero and span errors
- (D) Hysteresis error
- (E) Span error

Question 102 – Calibration principles

Identify the type of instrument calibration error(s) shown in this graph:



- (A) Zero error
- (B) Span error
- (C) Both zero and span errors
- (D) Hysteresis error
- (E) Linearity error

Question 103 – Calibration principles

When calibrating an instrument, you may detect the presence of hysteresis error by:

- (A) Comparing the instrument against a known standard that is free from any hysteresis
- (B) Measuring error before and after turning the “deadband” adjustment screw
- (C) Comparing accuracy at certain points both going up and down the calibration scale
- (D) Checking for calibration drift at certain points over long periods of time
- (E) Shaking the instrument and listening for the rattling sound of loose parts

Question 104 – Calibration principles

A technician calibrating a mechanical (bourdon tube) pressure gauge is gradually increasing pressure with a deadweight tester and checking the gauge's indication at several points. After checking one calibration point, the technician accidentally applies too much pressure and "overshoots" the next calibration point. To obtain the best response from the pressure gauge, the technician should:

- (A) Apply full pressure to the gauge and then check all calibration points in descending order
- (B) Completely vent pressure from the gauge and re-check all calibration points from zero upwards again
- (C) Carefully reduce pressure down to the intended calibration point, approaching it from the opposite direction
- (D) Reduce pressure well below the intended calibration point and then increase pressure again
- (E) Abort the test and get a new pressure gauge

Question 105 – Calibration principles

Which of the following adjustments is usually adjusted *only when absolutely necessary* in an instrument requiring calibration?

- (A) Span
- (B) Linearity
- (C) Zero
- (D) Accuracy
- (E) Offset

Question 106 – Calibration principles

An error tolerance of $\pm 0.4\%$ is _____ for a 4-20 mA instrument signal.

- (A) ± 0.064 mA
- (B) ± 0.04 mA
- (C) ± 0.08 mA
- (D) ± 0.4 mA
- (E) ± 0.46 mA

Question 107 – Calibration principles

A pressure transmitter has a calibrated measurement range of 200 to 300 PSIG, and an output range of 4-20 mA. What is the expected output if the input pressure is 235 PSIG?

- (A) 9.6 mA
- (B) 1.6 mA
- (C) 16.5 mA
- (D) 5.6 mA
- (E) 12.5 mA

Question 108 – Calibration principles

A pH transmitter has a calibrated range of 4 to 11 pH, with a 4-20 mA output. What is the pH measurement if the transmitter's output is equal to 10.5 mA?

- (A) 7.250 pH
- (B) 6.438 pH
- (C) 7.675 pH
- (D) 4.469 pH
- (E) 6.844 pH

Question 109 – Calibration principles

The purpose of documenting an “As Found” calibration in addition to documenting the “As Left” calibration for an instrument is to:

- (A) Ensure perfect accuracy
- (B) Eliminate instrument hysteresis
- (C) Measure calibration drift
- (D) Help others locate the instrument
- (E) Speed up the calibration

Question 110 – Calibration principles

A “smart” transmitter is one that:

- (A) Communicates using Foundation Fieldbus
- (B) Calibrates itself
- (C) Has a microprocessor built inside
- (D) Also plays MP3 music files
- (E) Has multiple process sensors

Question 111 – Pressure measurement

Convert a pressure measurement of 800 torr into units of PSI (gauge)

- (A) 21.42 PSIG
- (B) 15.47 PSIG
- (C) 54.42 PSIG
- (D) 0.7737 PSIG
- (E) 1.053 PSIG

Question 112 – Pressure measurement

Which of the following is a type of pressure sensing element?

- (A) Reference electrode
- (B) Bourdon tube
- (C) Orifice plate
- (D) Capillary tube
- (E) Thermocouple

Question 113 – Pressure measurement

If a force of 3400 pounds is applied to a circular piston 2 inches in diameter, calculate the fluid pressure working against the piston.

- (A) 344.5 PSI
- (B) 1082.3 PSI
- (C) 850 PSI
- (D) 1700 PSI
- (E) 270.6 PSI

Question 114 – Pressure measurement

For an ideal gas enclosed in a container,

- (A) Pressure is directly proportional to volume
- (B) Pressure is constant despite changes in molar quantity
- (C) Pressure is a complete mystery
- (D) Pressure is directly proportional to temperature
- (E) Pressure is inversely proportional to molar quantity

Question 115 – Pressure measurement

If the pressure applied to the “low” side of a ΔP transmitter increases while the pressure applied to the “high” side remains steady, the transmitter output should:

- (A) Fail low
- (B) Remain the same
- (C) Increase
- (D) Decrease
- (E) Fail high

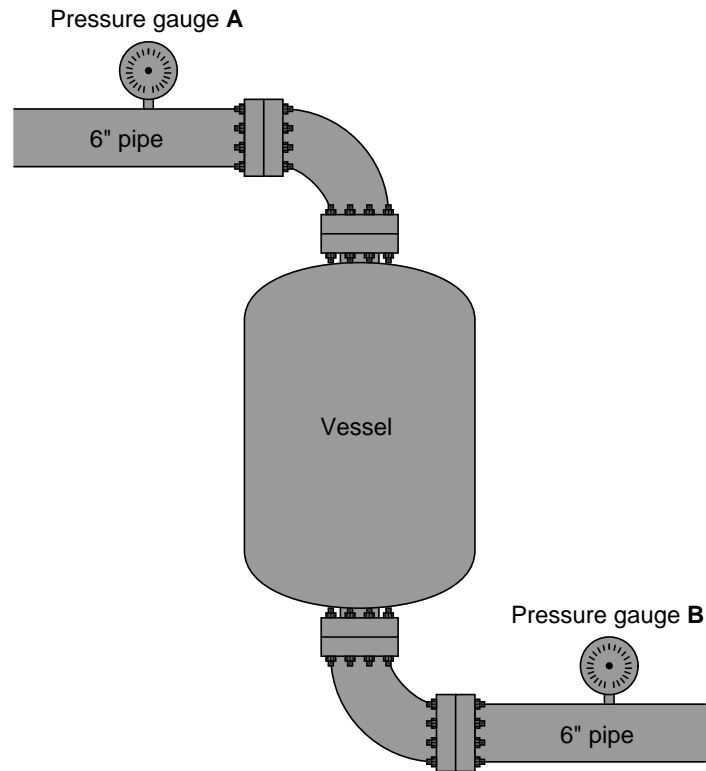
Question 116 – Pressure measurement

Identify the proper sequence of valve actions for a three-valve manifold and bleed when taking a differential pressure transmitter out of service:

- (A) Open equalizing valve, open bleed, close both block valves (simultaneously)
- (B) Open bleed, close one block valve, open equalizing valve, close other block valve
- (C) Open equalizing valve, close both block valves (simultaneously), open bleed
- (D) Close one block valve, open equalizing valve, close other block valve, open bleed
- (E) Close one block valve, open bleed, close other block valve, open equalizing valve

Question 117 – Pressure measurement

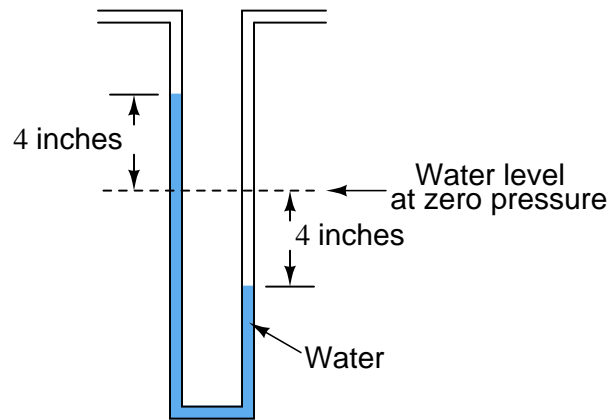
Assuming the pipes and vessel are completely filled with slow-moving water, how will the two pressure gauges' indications compare?



- (A) Gauge **A** will register a more erratic pressure than gauge **B**
- (B) Gauge **B** will register less pressure than gauge **A**
- (C) Both gauges will register exactly the same pressure
- (D) Gauge **A** will register less pressure than gauge **B**
- (E) Gauge **B** will register a more erratic pressure than gauge **A**

Question 118 – Pressure measurement

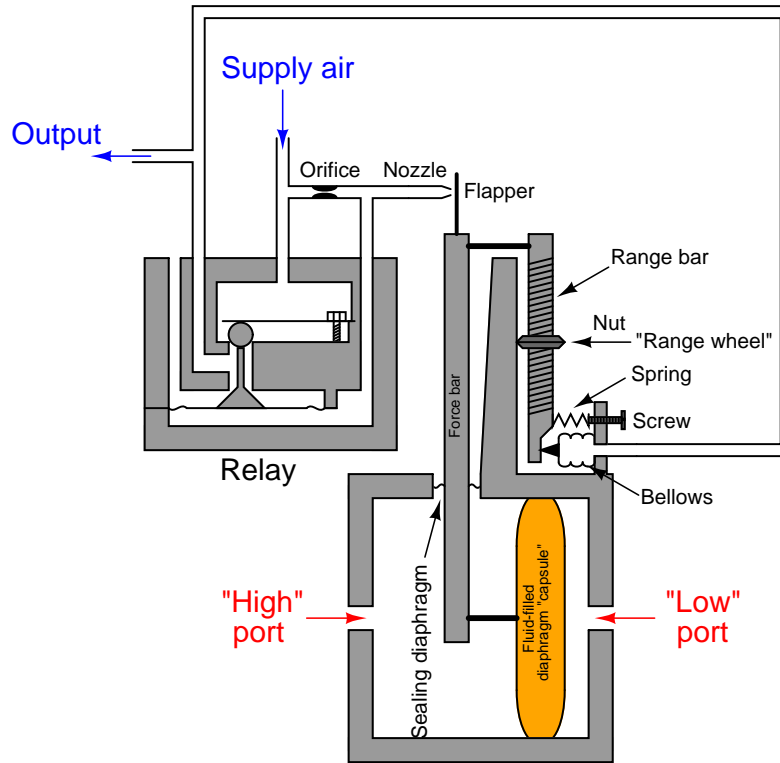
How much differential pressure does this manometer indicate?



- (A) 0.272 "W.C.
- (B) 745 torr
- (C) 3.929 "W.C.
- (D) 4.00 "W.C.
- (E) 8.00 "W.C.

Question 119 – Pressure measurement

Suppose the following pneumatic ΔP transmitter (same working principle as the Foxboro models 13 and 15) was calibrated to a range of 0 to 250 inches water column:

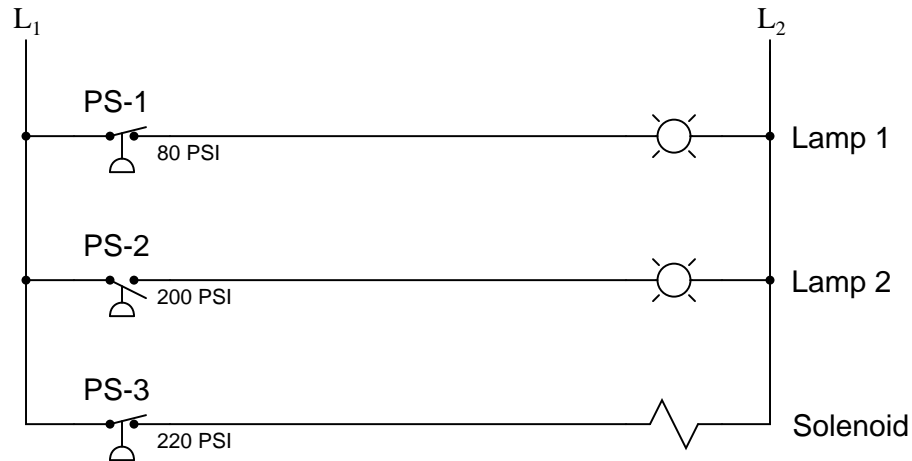


What would have to be done to it to re-calibrate it for a new range of 100 to 350 inches water column?

- (A) Replace the diaphragm capsule with one of a different size
- (B) Turn the range wheel nut (located in the middle of the range bar)
- (C) Re-size the orifice (located between air supply and nozzle)
- (D) Bend the flapper (next to the nozzle)
- (E) Turn the screw (located near the bellows)

Question 120 – Pressure measurement

The following circuit shows three pressure switches that all measure the same process pressure, but activate different electrical loads:



Determine the statuses of these loads at a pressure pressure of 210 PSI.

- (A) Lamp 1 on, Lamp 2 off, Solenoid on
- (B) Lamp 1 off, Lamp 2 on, Solenoid on
- (C) Lamp 1 on, Lamp 2 on, Solenoid on
- (D) Lamp 1 off, Lamp 2 on, Solenoid off
- (E) Lamp 1 on, Lamp 2 off, Solenoid off

Question 121 – Level measurement

Suppose a storage vessel holds a liquid of unpredictable density. Identify which level measurement technology will *not* maintain accurate measurement of liquid height in the vessel as the liquid density changes:

- (A) Guided-wave radar
- (B) Sightglass
- (C) Differential pressure transmitter
- (D) Float and tape
- (E) Ultrasonic

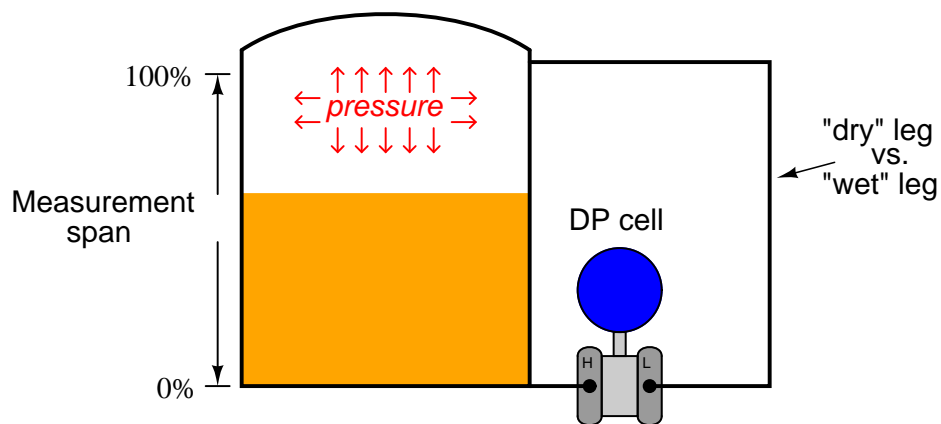
Question 122 – Level measurement

A disadvantage of ultrasonic level transmitters in liquid service applications is that:

- (A) They do not work on clear liquids
- (B) Changes in liquid density will affect the level measurement
- (C) They do not work when the liquid emits vapors
- (D) They cannot be used in closed-top vessels
- (E) They may give false readings from foam

Question 123 – Level measurement

If we alter this level measurement system to have a *wet leg* instead of a *dry leg*, what single aspect of the transmitter's calibration will we need to change?



- (A) We will need to change the transmitter's *span*
- (B) We will need to change the transmitter's *zero*
- (C) We will need to change the transmitter's *LRV*
- (D) We will need to change the transmitter's *linearity*
- (E) We will need to change the transmitter's *URV*

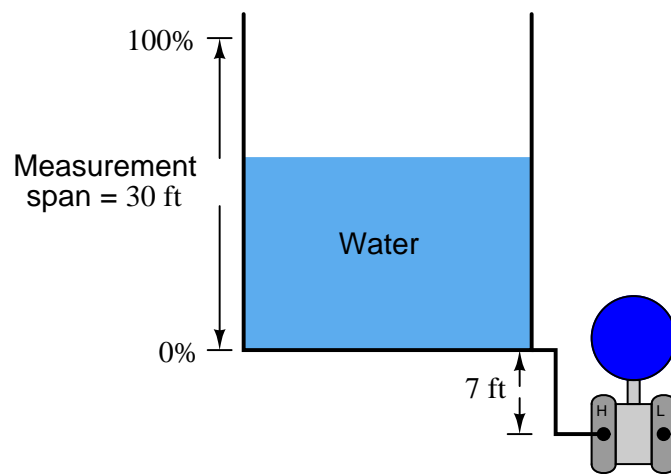
Question 124 – Level measurement

A displacer-type level transmitter has a cylindrical displacer 30 inches long and 2.5 inches in diameter. When fully submerged in a petroleum fuel ($G_f = 0.82$), how much buoyant force will the displacer generate?

- (A) 6.488 pounds
- (B) 4.363 pounds
- (C) 17.45 pounds
- (D) 2.792 pounds
- (E) 5.320 pounds

Question 125 – Level measurement

Calculate the LRV and URV for this ΔP -based liquid level measurement system:



- (A) LRV = 7 "H₂O ; URV = 37 "H₂O
- (B) LRV = 444 "H₂O ; URV = 0 "H₂O
- (C) LRV = 0 "H₂O ; URV = 360 "H₂O
- (D) LRV = 0 "H₂O ; URV = 444 "H₂O
- (E) LRV = 84 "H₂O ; URV = 444 "H₂O

Question 126 – Level measurement

A d/p cell used to measure liquid level has a “suppressed zero.” This means:

- (A) The transmitter uses filter circuits to suppress noise to a zero level
- (B) The liquid is less dense than water
- (C) The transmitter is located below the 0% liquid level mark
- (D) The elevation of the vessel is below sea level
- (E) The transmitter is located above the 0% liquid level mark

Question 127 – Level measurement

Which of the following level-measurement technologies *cannot* be adapted to measure solid (powder) level in a vessel?

- (A) Float and tape
- (B) Radar
- (C) Ultrasonic
- (D) Load cell
- (E) Displacer

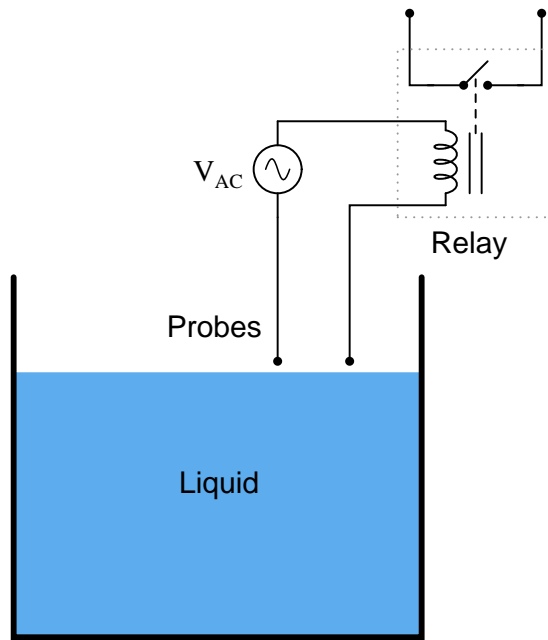
Question 128 – Level measurement

A guided-wave radar transmitter is able to measure liquid interface levels based on differences of _____ between the two liquids.

- (A) Temperature
- (B) Ionization potential
- (C) Density
- (D) Dielectric constant
- (E) Speed of light

Question 129 – Level measurement

The following liquid level switch will only function with liquids that are _____.



- (A) Denser than water
- (B) Absolutely pure (i.e. not a solution)
- (C) In a state of laminar flow
- (D) Optically transparent
- (E) Electrically conductive

Question 130 – Level measurement

Calculate the hydrostatic pressure at the bottom of a vessel holding 12 vertical feet of liquid with a density of 50 lb/ft³.

- (A) 14.98 PSI
- (B) 5.202 PSI
- (C) 18.867 PSI
- (D) 6.495 PSI
- (E) 4.167 PSI

Question 131 – Temperature measurement

Identify the thermocouple type with the highest temperature limit from those listed here:

- (A) Type J
- (B) Type K
- (C) Type S
- (D) Type T
- (E) Type E

Question 132 – Temperature measurement

The negative lead of a thermocouple is always colored:

- (A) Blue
- (B) Yellow
- (C) Red
- (D) White
- (E) Black

Question 133 – Temperature measurement

The most linear temperature sensing element listed here is a/an:

- (A) Thermistor
- (B) Bellows
- (C) Diode
- (D) Thermocouple
- (E) RTD

Question 134 – Temperature measurement

Convert a temperature measurement of 520° F into Kelvin.

- (A) 530.0 K
- (B) 793.2 K
- (C) 979.7 K
- (D) 246.9 K
- (E) 544.3 K

Question 135 – Temperature measurement

When the reference junction is the same temperature as the measurement junction in a thermocouple circuit, the output voltage (measured by the sensing instrument) is:

- (A) Noisy
- (B) Unreliable
- (C) Reverse polarity
- (D) AC instead of DC
- (E) Zero

Question 136 – Temperature measurement

A “thermowell” is a:

- (A) Small vessel for holding liquids at high temperature
- (B) Protective tube for a temperature sensing element
- (C) Temperature sensing device
- (D) Safety relief device for high pressure
- (E) Heat sink

Question 137 – Temperature measurement

Reference junction compensation is necessary in thermocouple-based temperature instruments because:

- (A) The reference junction generates a temperature-dependent voltage
- (B) The junction's electrical resistance varies with temperature
- (C) Electrical noise may interfere with the measurement otherwise
- (D) Copper extension wire has a tendency to corrode
- (E) Thermocouples are inherently nonlinear

Question 138 – Temperature measurement

Latent heat is:

- (A) The amount of heat energy present in ambient conditions
- (B) The heat required to make a substance change phase
- (C) The potential energy residing in a sample of unburnt fuel
- (D) The heat released when a gas suddenly decreases pressure
- (E) The heat required to raise the temperature of a substance

Question 139 – Temperature measurement

The purpose of using thermocouple *extension wire* instead of copper wire to connect a thermocouple to another instrument is to:

- (A) Extend the useful temperature range of the thermocouple
- (B) Shield against induced noise from external sources
- (C) Locate the reference junction at the receiving instrument
- (D) Minimize corrosion at the thermocouple head terminals
- (E) Provide a way to parallel thermocouples for temperature averaging

Question 140 – Temperature measurement

A *type J* thermocouple is made of the following metals:

- (A) Aluminum and Tungsten
- (B) Platinum and Platinum/Rhodium alloy
- (C) Iron and Constantan
- (D) Copper and Constantan
- (E) Chromel and Alumel

Question 141 – Flow measurement

Which of the following flow-measuring elements is inherently linear and requires no signal characterization (e.g. square-root extraction) anywhere in the loop?

- (A) Target
- (B) Venturi
- (C) Orifice plate
- (D) Pitot tube
- (E) Turbine

Question 142 – Flow measurement

Bernoulli's Equation is a mathematical expression of:

- (A) The ratio of kinetic to viscous forces in a flow stream
- (B) Friction loss as fluid moves through a rough pipe
- (C) Potential and kinetic energies in a flow stream
- (D) Fluid density and compressibility in a restriction
- (E) Vertical height and pressure for a static fluid

Question 143 – Flow measurement

As an incompressible fluid moves through a restriction,

- (A) Velocity increases and pressure decreases
- (B) Velocity decreases and pressure remains the same
- (C) Velocity decreases and pressure increases
- (D) Velocity increases and pressure increases
- (E) Velocity increases and pressure remains the same

Question 144 – Flow measurement

A flag flapping in the breeze illustrates what type of dynamic fluid effect?

- (A) Laminar flow
- (B) Cavitation
- (C) Vortex shedding
- (D) Transitional flow
- (E) Coriolis effect

Question 145 – Flow measurement

For accurate operation, orifice plate flowmeters require:

- (A) Transitional flow
- (B) Plug flow
- (C) Laminar flow
- (D) Fully-developed turbulent flow
- (E) Swirls and eddies in the flow stream

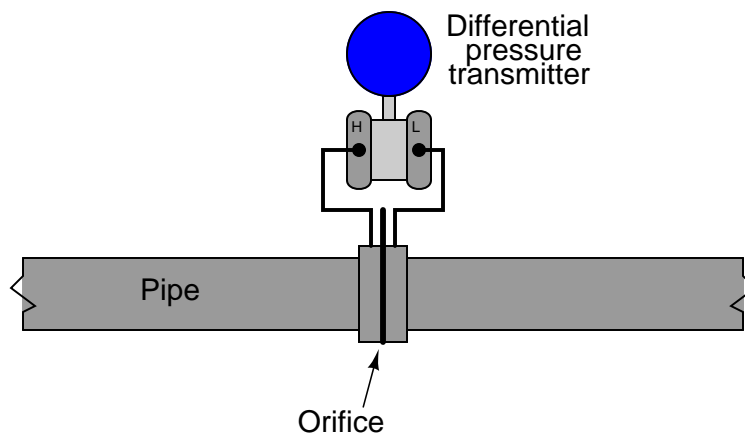
Question 146 – Flow measurement

A magnetic flowmeter will not properly measure the flow rate of:

- (A) Dirty water
- (B) Milk
- (C) Oil
- (D) Caustic
- (E) Acid

Question 147 – Flow measurement

Based on the relative positions of transmitter and orifice plate, this flow-measuring installation is suitable for:



- (A) Steam flow
- (B) Slurry flow
- (C) Laminar flow
- (D) Water or oil flow
- (E) Gas flow

Question 148 – Flow measurement

Flow-straightening vanes are used upstream of orifice plate flow elements when:

- (A) Accuracy is not a concern
- (B) The process fluid is a gas
- (C) Insufficient straight-pipe length exists
- (D) The flow profile is laminar
- (E) The process fluid is a liquid

Question 149 – Flow measurement

A ΔP transmitter calibrated for a range of 0 to 100 "H₂O measures liquid flow through an orifice plate from 0 to 1200 GPH. Calculate the new calibration range for the transmitter if we desire to decrease the flow measurement range to 0 to 700 GPH, using the same orifice plate.

- (A) 0 to 76.38 "H₂O
- (B) 0 to 171.4 "H₂O
- (C) 0 to 293.9 "H₂O
- (D) 0 to 34.03 "H₂O
- (E) 0 to 58.33 "H₂O

Question 150 – Flow measurement

Identify which of the following flowmeters inherently measures *mass* flow rate:

- (A) Coriolis
- (B) Vortex
- (C) Magnetic
- (D) Orifice plate
- (E) Target

Question 151 – Analytical measurement

The electrical conductivity of a fluid is a direct function of the fluid's _____.

- (A) Flow rate
- (B) Hydrogen ion molarity
- (C) Reynolds number
- (D) Density
- (E) Ion concentration

Question 152 – Analytical measurement

A pH value less than 7.0 means that the solution is:

- (A) Alkaline
- (B) Conductive
- (C) Caustic
- (D) Hot
- (E) Acidic

Question 153 – Analytical measurement

The *Nernst equation* relates:

- (A) Relative ion concentration to voltage
- (B) Conductivity to fluid flow rate
- (C) Partial vapor pressure to fluid density
- (D) Reagent dosage to change in pH
- (E) O₂ concentration to latent heat

Question 154 – Analytical measurement

Buffer solutions are used with pH probes for the purpose of:

- (A) Cleaning
- (B) Linearization
- (C) Purging embedded sodium ions
- (D) Electrode inspection
- (E) Calibration

Question 155 – Analytical measurement

Flue gas *oxygen* measurement (“O₂ trim”) is important in combustion control systems for the purpose of:

- (A) Safer shut-downs
- (B) Faster start-ups
- (C) Controlling burner temperature
- (D) Maximizing energy efficiency
- (E) Reducing carbon dioxide (CO₂) emissions

Question 156 – Analytical measurement

An aqueous solution has a hydrogen ion concentration of $3.29 \times 10^{-9} M$. Calculate the pH of this solution.

- (A) 5.52 pH
- (B) 1.48 pH
- (C) 8.41 pH
- (D) 8.48 pH
- (E) 7.01 pH

Question 157 – Analytical measurement

A *chromatograph* is a type of analytical instrument used to:

- (A) Determine relative concentrations of components in a mixed stream
- (B) Precisely measure time
- (C) Detect the presence of flammable or explosive gases in breathing air
- (D) Optimize the separation efficiency of a continuous distillation column
- (E) Control the density of a gas by changing its temperature

Question 158 – Analytical measurement

An *electrodeless*, or *toroidal*, conductivity probe enjoys the following advantage over electrode-type conductivity probes:

- (A) Lower cost
- (B) Immunity to temperature changes
- (C) Resists fouling
- (D) Greater sensitivity
- (E) Smaller size

Question 159 – Analytical measurement

ORP measurement is often used in processes where:

- (A) The addition of an oxidant must be controlled
- (B) The octane value of a liquid fuel is important
- (C) Conductivity of the liquid is negligible
- (D) Pigments are added to a solution to control color
- (E) Precise temperature control is critical

Question 160 – Analytical measurement

According to the *Nernst equation*, the voltage developed by the electrodes will _____ when temperature increases, all other factors remaining the same.

- (A) Decrease
- (B) Fluctuate
- (C) Increase
- (D) Approach zero
- (E) Remain the same

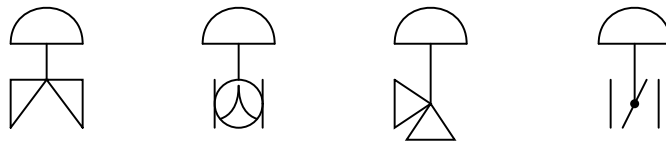
Question 161 – Control valves

When a control valve is installed in a process with where the differential pressure (drop) across the valve decreases with increasing flow, the best trim characteristic to choose for the valve would be:

- (A) Ported
- (B) Quick-opening
- (C) Linear
- (D) Equal percentage
- (E) Anti-cavitation

Question 162 – Control valves

The correct identities of the four control valve types shown below are (in order from left to right):



- (A) Plug, Slide, Saunders, Ball
- (B) Globe, Butterfly, Disc, Angle
- (C) Gate, Ball, Globe, Disc
- (D) Ball, Disc, Slide, Globe
- (E) Diaphragm, Ball, Angle, Butterfly

Question 163 – Control valves

An air-to-open control valve assembly may be formed with which of these actuator/valve body combinations?

- (A) Direct-acting actuator, direct-acting valve body
- (B) Reverse-acting actuator, direct-acting valve body
- (C) Direct-acting actuator, reverse-acting valve body
- (D) A or C
- (E) B or C

Question 164 – Control valves

Calculate the necessary C_v rating for a liquid service control valve, given a pressure drop of 19 PSID, a specific gravity of 0.9, and a maximum flow rate of 250 GPM. Assume there will be no flashing or choked flow through the valve.

- (A) 47.66
- (B) 11.84
- (C) 60.46
- (D) 54.41
- (E) 14.62

Question 165 – Control valves

The main purpose of a control valve *positioner* is to:

- (A) Alter the fail-safe status of the valve
- (B) Alter the characterization of the valve
- (C) Improve the precision of the valve
- (D) Increase transmitter accuracy
- (E) Eliminate cavitation in the valve

Question 166 – Control valves

The purpose of valve *packing* is to:

- (A) Help reduce cavitation in the valve trim
- (B) Increase stiction
- (C) Cushion the valve against harm during shipment
- (D) Lubricate the valve trim
- (E) Seal process fluid from escaping past the stem

Question 167 – Control valves

The definition of *split range* control valves implies that they are . . .

- (A) designed to be easily disassembled.
- (B) calibrated with complementary ranges.
- (C) easily re-ranged for different characteristics.
- (D) equipped with quick-acting positioners.
- (E) only used in sets of three.

Question 168 – Control valves

Dual-ported globe valves typically enjoy the following advantage over *single-ported* globe valves:

- (A) Longer service life
- (B) Easier disassembly and maintenance
- (C) Tighter shut-off
- (D) Greater temperature range
- (E) Less actuating force required

Question 169 – Control valves

Cavitation in a control valve is caused by:

- (A) process noise
- (B) vibration in the piping
- (C) pressure recovery
- (D) the Von Karman effect
- (E) a laminar flow regime

Question 170 – Control valves

The proper “fail safe” status of a control valve should always be dictated by:

- (A) the nature of the process
- (B) economic savings
- (C) the configuration of the positioner
- (D) the controller’s tuning
- (E) the controller’s action (direct or reverse)

Question 171 – PID control and tuning

Derivative control action is never used in processes where there is substantial _____.

- (A) Variability
- (B) Gain
- (C) Cycling
- (D) Hysteresis
- (E) Noise

Question 172 – PID control and tuning

_____ processes always require some degree of _____ control action to achieve setpoint.

- (A) Integrating, Derivative
- (B) Integrating, Feedforward
- (C) Self-regulating, Proportional
- (D) Self-regulating, Integral
- (E) Runaway, Linear

Question 173 – PID control and tuning

The reciprocal of *proportional band* is called:

- (A) Gain
- (B) Reset
- (C) Percent
- (D) Minutes per repeat
- (E) Rate

Question 174 – PID control and tuning

“Quarter-wave damping” may be described as:

- (A) a condition of good control where PV approaches SP without overshoot
- (B) a condition of poor control where oscillations continue at constant amplitude
- (C) a condition of poor control where the transmitter is damped by 25%
- (D) a condition of excellent control where there are no oscillations
- (E) a condition of good control where oscillations quickly subside

Question 175 – PID control and tuning

Reset control action is often expressed in units of:

- (A) percent
- (B) seconds per rate
- (C) repeats per minute
- (D) minutes
- (E) time constant ratio (unitless)

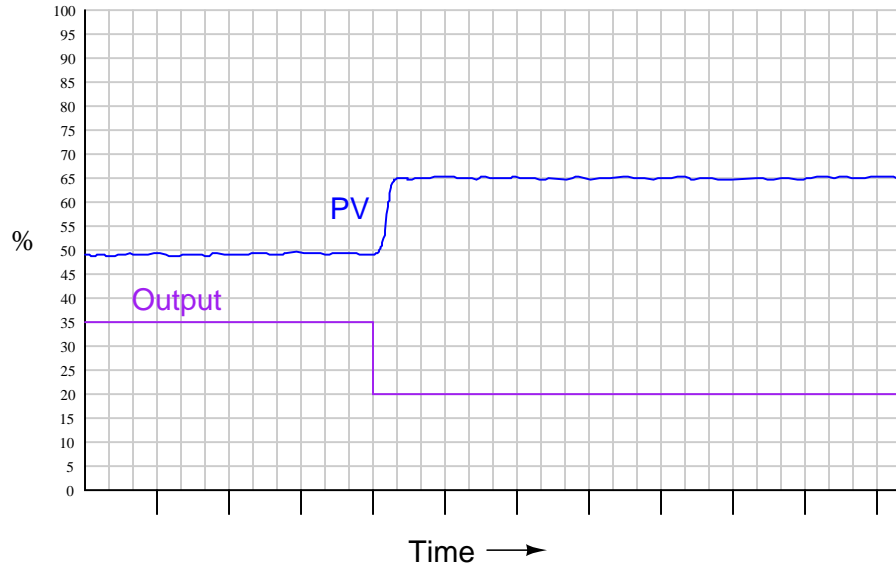
Question 176 – PID control and tuning

A proportional band setting of 175% is equivalent to a gain setting of _____.

- (A) 175
- (B) 0.756
- (C) 1.32
- (D) 1.75
- (E) 0.571

Question 177 – PID control and tuning

The open-loop response of a process is shown in the following trend. What sort of process is indicated by this behavior?



- (A) Proportional
- (B) Integrating
- (C) Self-regulating
- (D) Step-response
- (E) Runaway

Question 178 – PID control and tuning

A condition where integral control action drives the output of a controller into saturation is called:

- (A) wind-up
- (B) self-bias
- (C) repeat
- (D) noise
- (E) offset

Question 179 – PID control and tuning

Fast, self-regulating processes typically respond well to aggressive _____ control action.

- (A) Nonlinear
- (B) Derivative
- (C) Reset
- (D) Proportional
- (E) Gain

Question 180 – PID control and tuning

Process variable *filtering* should be used:

- (A) to dampen noise
- (B) only on integrating processes
- (C) to improve response time
- (D) only on self-regulating processes
- (E) never

Question 181 – Control strategies

Cascade control is characterized by:

- (A) a special relay or function block to compensate for nonlinear process gain
- (B) the presence of a “dead time” relay or function block
- (C) two controllers whose outputs are selected either by high or low value
- (D) the presence of a “lead/lag” relay or function block
- (E) one controller providing a setpoint for another controller

Question 182 – Control strategies

Adaptive gain is used for controlling _____ processes.

- (A) Time-variant
- (B) Dead time
- (C) Fast
- (D) Integrating
- (E) Nonlinear

Question 183 – Control strategies

The three “elements” in a three-element boiler feedwater control system are:

- (A) Steam flow, drum level, and feedwater flow
- (B) Feedwater flow, water conductivity, and steam flow
- (C) Turbidity, feedwater flow, and temperature
- (D) Drum temperature, firing rate, and feedwater flow
- (E) Drum level, water pH, and drum temperature

Question 184 – Control strategies

The purpose of *feedforward* control is to:

- (A) eliminate the need for feedback control in a process
- (B) reduce the effect of load variation on the process variable
- (C) save energy
- (D) reduce the effect of process variable noise on stability
- (E) compensate for dead time and lag time in a process

Question 185 – Control strategies

In a *feedback* control system, the controller gets its input from the _____.

- (A) Load variable
- (B) Manipulated variable
- (C) Inferred variable
- (D) Controlled variable
- (E) Dynamic variable

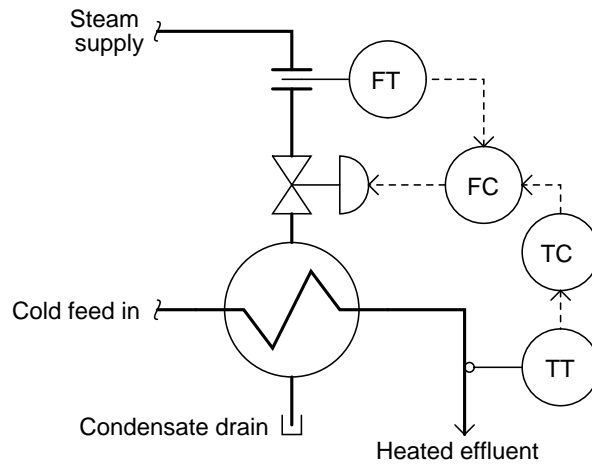
Question 186 – Control strategies

Ratio control is where:

- (A) a “wild flow” variable sets the gain of the controller
- (B) fuel must be precisely rationed for economy
- (C) one variable is controlled in proportion to another
- (D) process data is communicated in a digital format
- (E) the rate of one variable must remain fixed over time

Question 187 – Control strategies

The following P&ID shows a/an _____ control strategy:



- (A) Adaptive gain
- (B) Ratio
- (C) Model predictive
- (D) Cascade
- (E) Feedforward

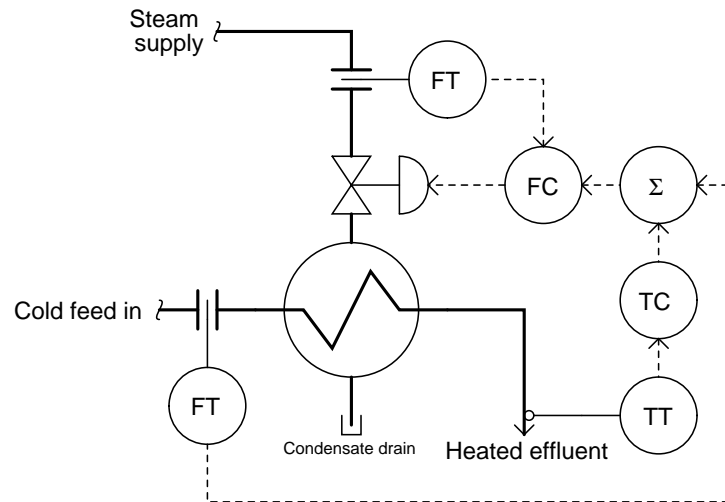
Question 188 – Control strategies

The *primary* controller in a cascade control system must always be tuned:

- (A) after the secondary is tuned
- (B) faster than the secondary
- (C) using the Ziegler-Nichols method
- (D) with the same parameters as the master
- (E) with greater filtering than the secondary

Question 189 – Control strategies

The following P&ID shows a/an _____ control strategy:



- (A) Feedforward with trim
- (B) Ratio
- (C) Cascade
- (D) Override
- (E) Two-element

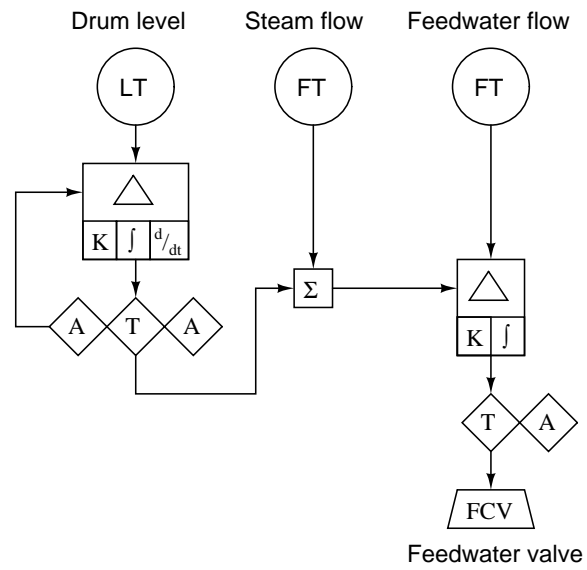
Question 190 – Control strategies

Lead/lag compensation, sometimes called “dynamic compensation,” is commonly used to:

- (A) equalize load and manipulated variable lags in a feedforward system
- (B) improve stability by changing controller gain over time
- (C) filter noise from the process variable signal in a feedforward system
- (D) overcome dead time by duplicating the process lags on the setpoint signal
- (E) prevent integral windup by placing limits on the manipulated variable signal

Question 191 – Instrumentation diagrams

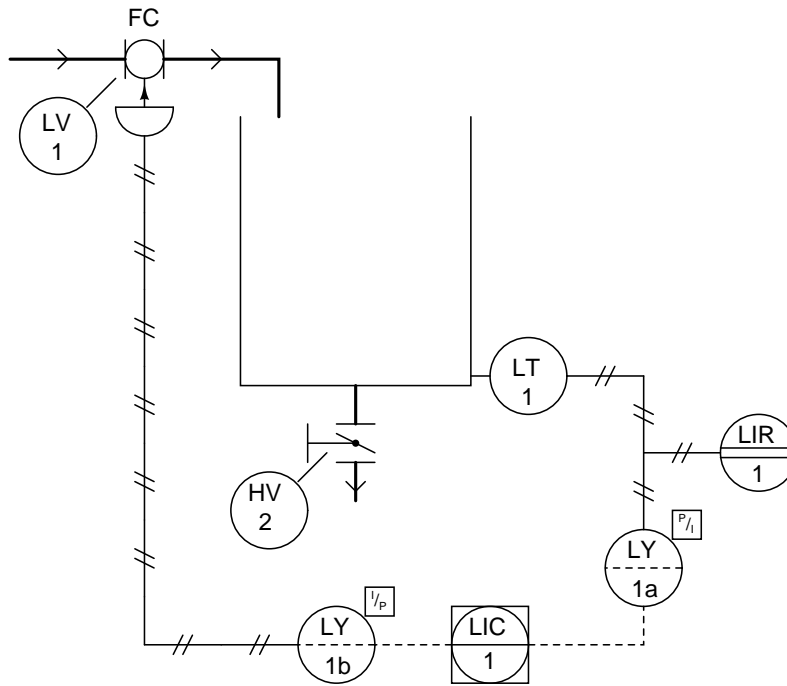
Identify what type of diagram this is:



- (A) Wiring diagram
- (B) Isometric drawing
- (C) P&ID
- (D) SAMA diagram
- (E) Loop diagram

Question 192 – Instrumentation diagrams

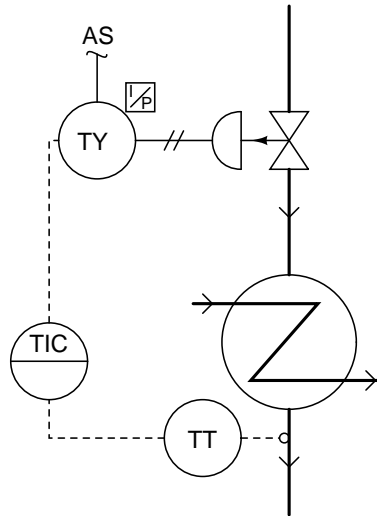
Identify what type of diagram this is:



- (A) Wiring diagram
- (B) Isometric drawing
- (C) Loop diagram
- (D) P&ID
- (E) SAMA diagram

Question 193 – Instrumentation diagrams

According to this diagram, the controller is _____, and it is located _____:



- (A) Electronic, on the front of the main control panel
- (B) Pneumatic, in the field (process) area
- (C) Pneumatic, on the front of a secondary control panel
- (D) Pneumatic, on the front of the main control panel
- (E) Electronic, behind the main control panel

Question 194 – Instrumentation diagrams

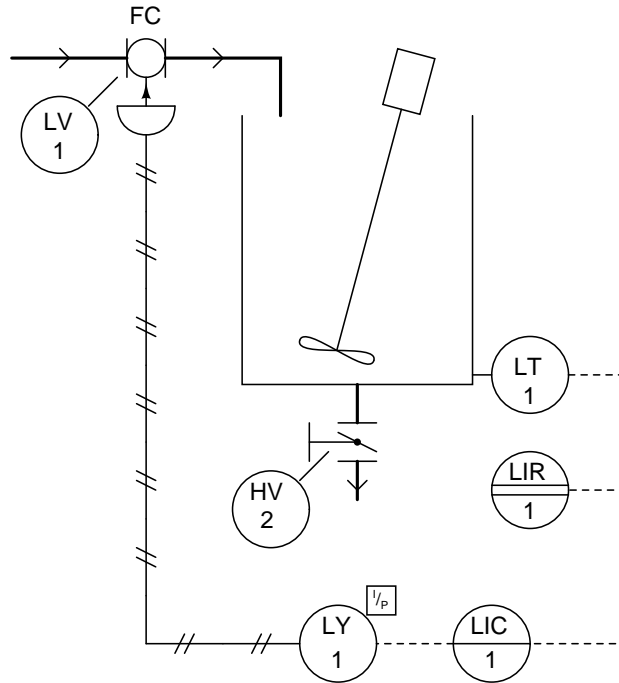
Identify the following instrumentation (P&ID and loop diagram) line types, from left to right:



- (A) electric, pneumatic, digital network, filled system
- (B) pneumatic, electric, hydraulic, mechanical link
- (C) pneumatic, electric, capillary, hydraulic
- (D) electric (on/off), electric (analog), pneumatic, digital network
- (E) pneumatic, mechanical link, hydraulic, capillary

Question 195 – Instrumentation diagrams

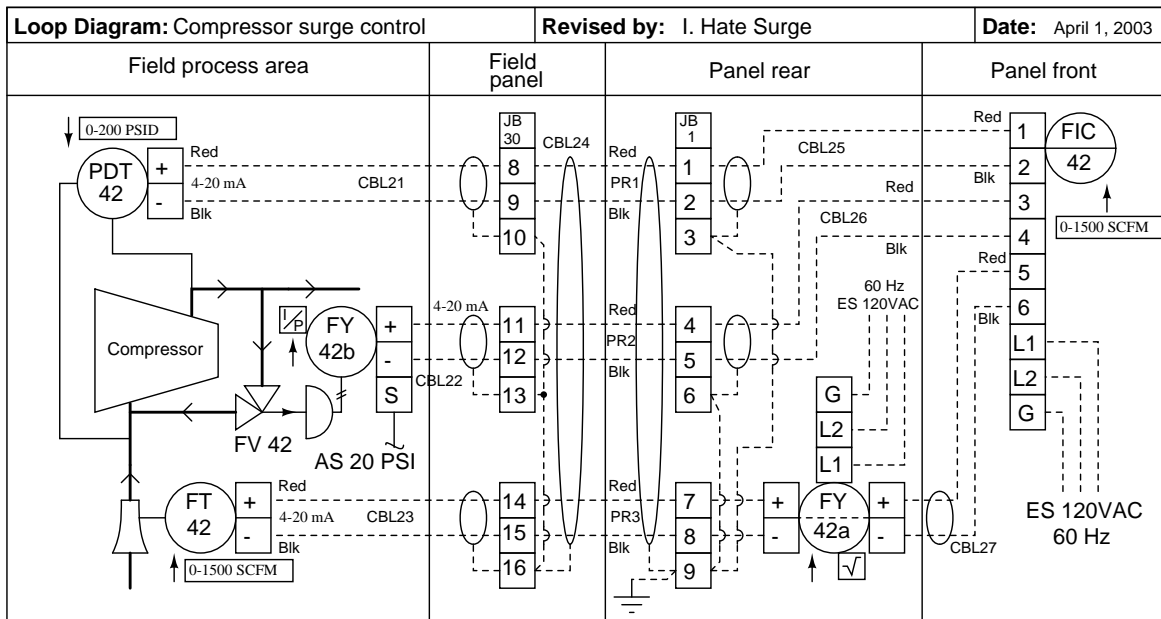
If the pneumatic tube in this diagram were to suddenly break in two pieces, what would be the effect on the process variable?



- (A) It would remain the same
- (B) It would become noisier
- (C) It would become less noisy
- (D) It would increase
- (E) It would decrease

Question 196 – Instrumentation diagrams

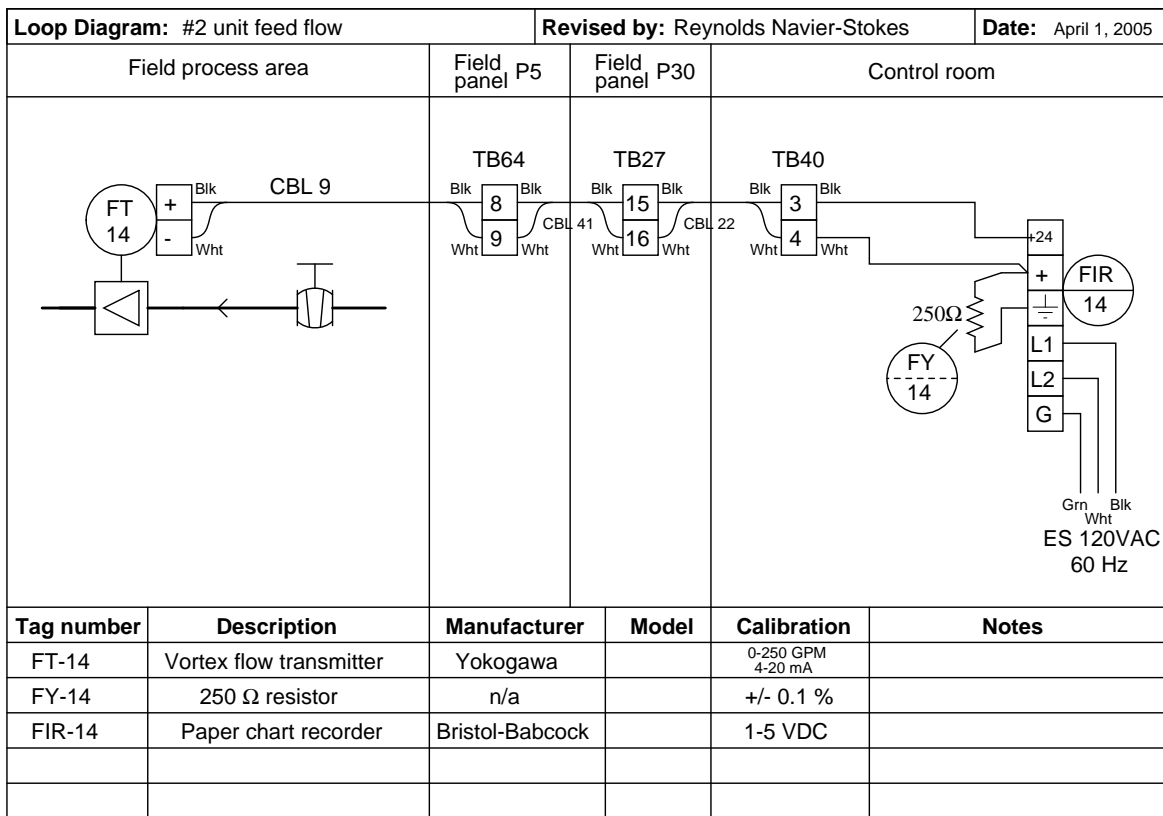
If the gas flow through FT-42 is 1200 SCFM, how much electric current is going through cable 23 and through cable 27?



- (A) $I_{CBL23} = 14.2 \text{ mA}$, $I_{CBL27} = 14.2 \text{ mA}$
- (B) $I_{CBL23} = 14.2 \text{ mA}$, $I_{CBL27} = 16.8 \text{ mA}$
- (C) $I_{CBL23} = 16.8 \text{ mA}$, $I_{CBL27} = 16.8 \text{ mA}$
- (D) $I_{CBL23} = 16.8 \text{ mA}$, $I_{CBL27} = 14.2 \text{ mA}$
- (E) $I_{CBL23} = 16.8 \text{ mA}$, $I_{CBL27} = 18.3 \text{ mA}$

Question 197 – Instrumentation diagrams

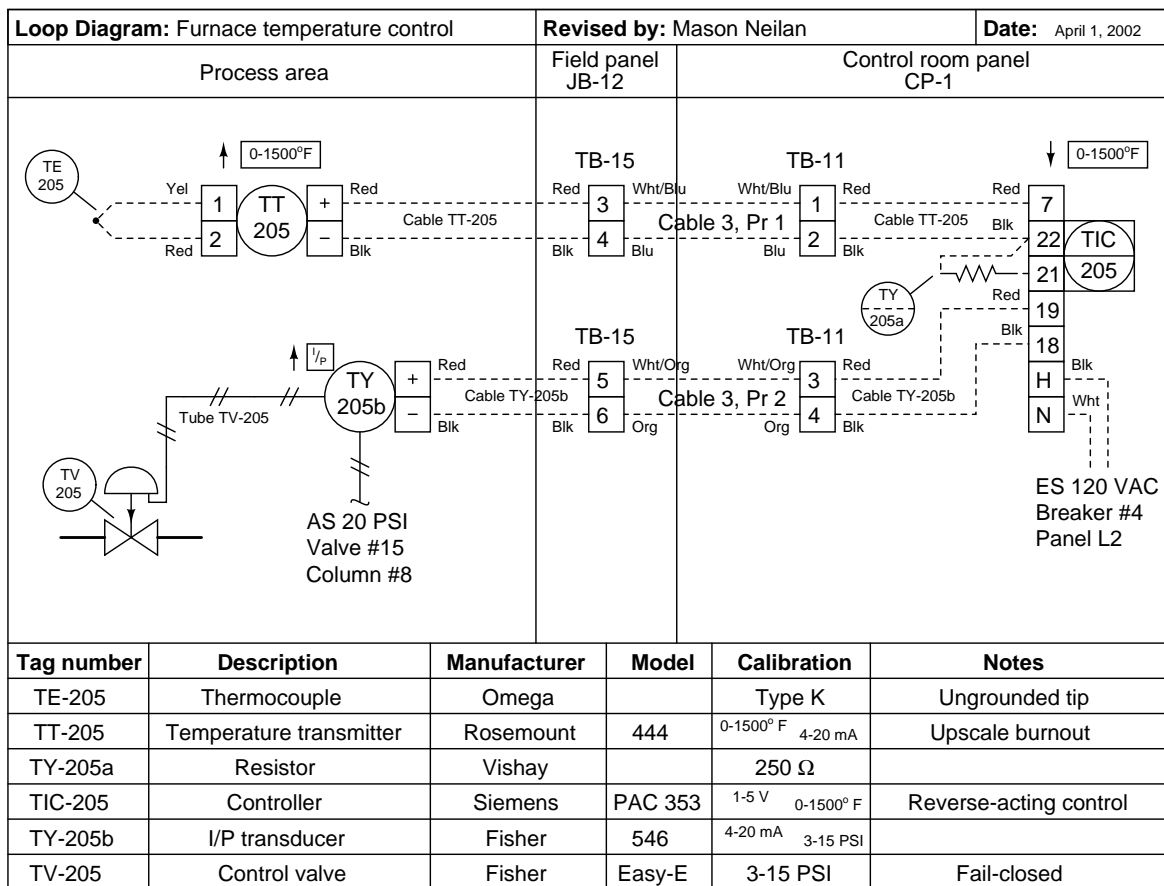
Calculate the voltage between terminals 15 and 16 of TB27 when the measured flow rate is 106 GPM. Assume a loop power supply voltage of exactly 24.00 volts, and negligible wire resistance:



- (A) 26.70 volts
- (B) 22.28 volts
- (C) 24.00 volts
- (D) 21.30 volts
- (E) 2.696 volts

Question 198 – Instrumentation diagrams

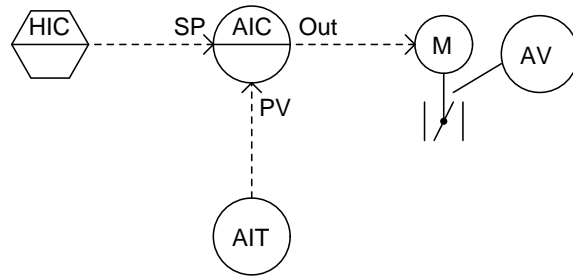
If the thermocouple fails open, what will happen?



- (A) Valve TV-205 will hold position, stabilizing the process
- (B) Valve TV-205 will close shut, making the process warm up
- (C) Valve TV-205 will close shut, making the process cool down
- (D) Valve TV-205 will open wide, making the process cool down
- (E) Valve TV-205 will open wide, making the process warm up

Question 199 – Instrumentation diagrams

What kind of device provides the setpoint for the analytical indicating controller in this diagram?



- (A) A mathematical relay
- (B) Another panel-mounted controller
- (C) A programmable logic controller (PLC)
- (D) A pneumatic hand station
- (E) A computer

Question 202 – Programmable logic controllers

Ladder logic programming consists primarily of:

- (A) Logic gate symbols with connecting lines
- (B) Function blocks with connecting lines
- (C) Text-based code
- (D) Virtual relay contacts and coils
- (E) Hieroglyphics

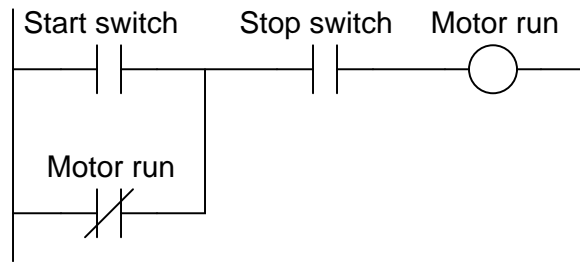
Question 203 – Programmable logic controllers

In a PLC, the *scan time* refers to the amount of time in which . . .

- (A) the technician enters the program
- (B) timers and counters are indexed by
- (C) the entire program takes to execute
- (D) one “rung” of ladder logic takes to complete
- (E) transmitted data communications must finish

Question 204 – Programmable logic controllers

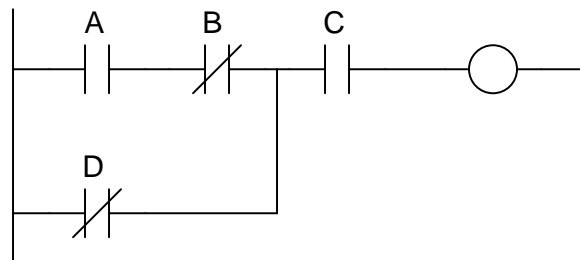
Identify the problem in this motor control PLC program:



- (A) Coil
- (B) Seal-in contact
- (C) Start contact
- (D) Stop contact
- (E) Power source

Question 205 – Programmable logic controllers

The Boolean representation of this PLC program is:



- (A) $A\bar{B}C + \bar{D}$
- (B) $C + (A + \bar{B})\bar{D}$
- (C) $\bar{C} + D(\bar{A} + B)$
- (D) $C(A\bar{B} + \bar{D})$
- (E) $A\bar{B}C + B\bar{D}$

Question 206 – Programmable logic controllers

The difference between *online* and *offline* PLC programming is . . .

- (A) whether the PLC is running or stopped
- (B) whether the programming PC has internet connectivity
- (C) the type of programming cable used
- (D) the type of programmer used
- (E) where the edited program resides

Question 207 – Programmable logic controllers

In PLC programming, a *retentive* function is one that:

- (A) Defaults to the “on” state
- (B) Comes last in the program
- (C) Is not reset after a power cycle
- (D) Defaults to the “off” state
- (E) Cannot be edited or deleted

Question 208 – Programmable logic controllers

What is the largest integer number that a PLC counter function can reach if it uses a 16 bit register?

- (A) 32,768
- (B) 65,535
- (C) 65,536
- (D) 65,537
- (E) 32,767

Question 209 – Programmable logic controllers

An *OR* function implemented in ladder logic uses:

- (A) Normally-closed contacts in series
- (B) Normally-open contacts in series
- (C) A single normally-closed contact
- (D) Normally-open contacts in parallel
- (E) Normally-closed contacts in parallel

Question 210 – Programmable logic controllers

A good application for a *timed interrupt* in a PLC program would be:

- (A) A communications function block
- (B) A math function block
- (C) A motor start/stop rung
- (D) A “watchdog” timer
- (E) A PID function block

Question 211 – Digital control systems

The acronym *DCS* stands for:

- (A) DeltaV Console Services
- (B) Direct Cascade Sequencing
- (C) Distributive Control System
- (D) Differential Concentration Switch
- (E) Digital Control System

Question 212 – Digital control systems

Many digital control systems utilize *Ethernet* as a communications network, because . . .

- (A) no terminating resistors are necessary
- (B) it is robust and inexpensive
- (C) speed is not affected by traffic
- (D) it is a wireless network standard
- (E) it is fully deterministic

Question 213 – Digital control systems

Resolution refers to _____ in the analog-to-digital conversion portion of a digital control system.

- (A) the analog signal range
- (B) how determined the designer was
- (C) the number of active bits
- (D) the speed of analog signal sampling
- (E) the probability of hardware failure

Question 214 – Digital control systems

A *checksum* is used for the purpose of _____ in digital systems.

- (A) math calculations
- (B) diagnostic monitoring
- (C) time-stamping data
- (D) power monitoring
- (E) error detection

Question 215 – Digital control systems

A typical use for an *integer* variable in a digital control system is:

- (A) Representing single switch status
- (B) Counting discrete events
- (C) Representing power supply voltage
- (D) Trigonometric math operations
- (E) Exponential math operations

Question 216 – Digital control systems

TIA/EIA-485 (formerly known as RS-485) is a digital communication standard with the following traits:

- (A) Single-ended voltage signaling, multidrop
- (B) Frequency Shift Key (FSK) signaling, superimposed on analog 4-20 mA
- (C) Differential voltage signaling, multipoint
- (D) Manchester encoding, multidrop
- (E) Mark-and-space signaling, point-to-point

Question 217 – Digital control systems

FOUNDATION Fieldbus is unique in that:

- (A) It has always been the leading fieldbus standard
- (B) Data communication is entirely deterministic
- (C) Control algorithms may reside in the field devices
- (D) Power and data share the same wires
- (E) Diagnostic data is communicated as well as process data

Question 218 – Digital control systems

A *watchdog timer* is a device or a programmed routine used for what purpose in a digital control system?

- (A) To interrupt normal program flow and address an immediate need
- (B) To check for errors in data communications
- (C) To provide time delays for critical functions
- (D) To monitor the operation of the microprocessor
- (E) To signal the start of a new program cycle

Question 219 – Digital control systems

Digital control systems are generally superior to analog control systems, but they are always worse with regard to:

- (A) Diagnostics
- (B) User-friendliness
- (C) Flexibility
- (D) Speed
- (E) Noise immunity

Question 220 – Digital control systems

A *triple modular redundant* (TMR) digital control system would be typically used for what purpose?

- (A) To save energy (compared to other control systems)
- (B) To control a potentially dangerous process
- (C) To increase response speed for fast processes
- (D) To save money (compared to other control systems)
- (E) To minimize routine maintenance requirements

Answers

Answer 1

(E) Prevent injury by securing all energy sources in a system

Answer 2

(A) CPR (Cardio-Pulmonary Resuscitation)

Answer 3

(C) Activate the emergency response system (equivalent to dialing “911”)

Answer 4

(A) Reduce the concentration of particulates in the air you breathe

Answer 5

(B) There is insufficient blood delivered to the body’s cells

Answer 6

(E) A company safety inspector has certified it

Answer 7

(A) Discomfort in the chest and/or upper body

Answer 8

(E) Hot and dry skin, inability to drink, vomiting, confusion

Answer 9

(B) A discharge of high electrical current through open air

Answer 10

(A) The circuit must be broken (opened)

Answer 11

(D) $x = \frac{ab}{y}$

Answer 12

(D) $x = \frac{a^2}{b^3}$

Answer 13

(B) $y = \frac{-x}{2} + 3$

Answer 14

(C) $y = x^2$

Answer 15

(D) $x = 2 ; y = -1$

Answer 16

(B) 1:12

Answer 17

(B) $ab^{-7}c^3x^2y^2$

Answer 18

(C) $x^{-3/2}$

Answer 19

(E) 91.8

Answer 20

(E) $(x + 3)(x - 4)$

Answer 21

(A) Opposite divided by hypotenuse

Answer 22

(C) 10.3

Answer 23

(B) 57.99°

Answer 24

(A) 45°

Answer 25

(A) Tangent

Answer 26

(C) $13.342 \angle -103^\circ$

Answer 27

(D) Amplitude and phase shift

Answer 28

(B) 11.06

Answer 29

(C) 1.309 radians

Answer 30

(A) 23.09 meters

Answer 31

(A) 125

Answer 32

(A) greater than 7

Answer 33

(E) accelerates a chemical reaction without being consumed

Answer 34

(D) 12.03 liters

Answer 35

(D) Exothermic

Answer 36

(D) 4,500 joules

Answer 37

(E) 11,760 joules

Answer 38

(D) 19.18°

Answer 39

(C) greater than the weight of the sign

Answer 40

(B) greater than the latent heat of fusion

Answer 41

(D) 3.0 volts

Answer 42

(B) 7.835 mA

Answer 43

(E) 9.656 k Ω

Answer 44

(E) 2.143 k Ω

Answer 45

(C) 441.5 μ A

Answer 46

(E) 5

Answer 47

(E) -13.5 volts

Answer 48

(D) 16 volts

Answer 49

(B) 160 mA ← (right to left)

Answer 50

(D) + 0.5 volts - (positive on left, negative on right)

Answer 51

(C) Current will increase

Answer 52

(C) complementary reactances become equal and opposite

Answer 53

(B) $I_{source} = 187.5 \text{ mA}$ $I_{load} = 72.73 \text{ mA}$

Answer 54

(D) Trigger

Answer 55

(C) 27.96 dB

Answer 56

(E) 0.819

Answer 57

(C) 400 Hz

Answer 58

(E) 17.31 volts

Answer 59

(D) The cable appears to a pulse signal as a 75 ohm load

Answer 60

(A) Blocks high-frequency signals from passing through

Answer 61

(A) 18.04 amps

Answer 62

(C) More power may be transmitted using less copper (wire)

Answer 63

(D) A rotating magnetic field

Answer 64

(C) They potentially save energy

Answer 65

(D) Latching the motor in the “run” state

Answer 66

(A) Protect the motor against mild overcurrent conditions

Answer 67

(C) 7.205 kV

Answer 68

(E) 15.32 hp

Answer 69

(E) its speed is constant

Answer 70

(A) superior low-speed torque is needed

Answer 71

(A) trivalent

Answer 72

(B) Cathode and anode

Answer 73

(C) 1 = Emitter ; 2 = Base ; 3 = Collector

Answer 74

(E) measure magnetic field strength

Answer 75

(B) 9.31 volts

Answer 76

(E) -5.96 volts

Answer 77

(C) 26.9 volts

Answer 78

(B) turn off

Answer 79

(C) change motor direction

Answer 80

(D) Boost voltage ; same output polarity as input

Answer 81

(B) 1011001001111000

Answer 82

(A) 00110001

Answer 83

(A) $\overline{B} + \overline{AC}$

Answer 84

(B) $B\overline{C}$

Answer 85

(D) $Q = 0$ and $\overline{Q} = 1$

Answer 86

(A) Eliminating false switching events

Answer 87

(B) The negative power supply rail of a bipolar transistor circuit

Answer 88

(C) Representing alphanumeric characters

Answer 89

(E) latch

Answer 90

(C) Share an output line with another gate

Answer 91

(E) transmitter, controller, I/P transducer, and control valve

Answer 92

(B) Negative feedback

Answer 93

(A) A pressure transmitter

Answer 94

(B) Minimize electrical noise

Answer 95

(D) 3 to 15 PSI

Answer 96

(B) The command signal to the control valve

Answer 97

(D) Diaphragm

Answer 98

(E) Move the control valve further open

Answer 99

(A) Process variable

Answer 100

(A) Allow a human operator to take control of the process

Answer 101

(C) Both zero and span errors

Answer 102

(E) Linearity error

Answer 103

(C) Comparing accuracy at certain points both going up and down the calibration scale

Answer 104

(D) Reduce pressure well below the intended calibration point and then increase pressure again

Answer 105

(B) Linearity

Answer 106

(A) +/- 0.064 mA

Answer 107

(A) 9.6 mA

Answer 108

(E) 6.844 pH

Answer 109

(C) Measure calibration drift

Answer 110

(C) Has a microprocessor built inside

Answer 111

(D) 0.7737 PSIG

Answer 112

(B) Bourdon tube

Answer 113

(B) 1082.3 PSI

Answer 114

(D) Pressure is directly proportional to temperature

Answer 115

(D) Decrease

Answer 116

(D) Close one block valve, open equalizing valve, close other block valve, open bleed

Answer 117

(D) Gauge **A** will register less pressure than gauge **B**

Answer 118

(E) 8.00 "W.C.

Answer 119

(E) Turn the screw (located near the bellows)

Answer 120

(B) Lamp 1 off, Lamp 2 on, Solenoid on

Answer 121

(C) Differential pressure transmitter

Answer 122

(E) They may give false readings from foam

Answer 123

(B) We will need to change the transmitter's *zero*

Answer 124

(B) 4.363 pounds

Answer 125

(E) LRV = 84 "H₂O ; URV = 444 "H₂O

Answer 126

(C) The transmitter is located below the 0% liquid level mark

Answer 127

(E) Displacer

Answer 128

(D) Dielectric constant

Answer 129

(E) Electrically conductive

Answer 130

(E) 4.167 PSI

Answer 131

(C) Type S

Answer 132

(C) Red

Answer 133

(E) RTD

Answer 134

(E) 544.3 K

Answer 135

(E) Zero

Answer 136

(B) Protective tube for a temperature sensing element

Answer 137

(A) The reference junction generates a temperature-dependent voltage

Answer 138

(B) The heat required to make a substance change phase

Answer 139

(C) Locate the reference junction at the receiving instrument

Answer 140

(C) Iron and Constantan

Answer 141

(E) Turbine

Answer 142

(C) Potential and kinetic energies in a flow stream

Answer 143

(A) Velocity increases and pressure decreases

Answer 144

(C) Vortex shedding

Answer 145

(D) Fully-developed turbulent flow

Answer 146

(C) Oil

Answer 147

(E) Gas flow

Answer 148

(C) Insufficient straight-pipe length exists

Answer 149

(D) 0 to 34.03 " H₂O

Answer 150

(A) Coriolis

Answer 151

(E) Ion concentration

Answer 152

(E) Acidic

Answer 153

(A) Relative ion concentration to voltage

Answer 154

(E) Calibration

Answer 155

(D) Maximizing energy efficiency

Answer 156

(D) 8.48 pH

Answer 157

(A) Determine relative concentrations of components in a mixed stream

Answer 158

(C) Resists fouling

Answer 159

(A) The addition of an oxidant must be controlled

Answer 160

(C) Increase

Answer 161

(D) Equal percentage

Answer 162

(E) Diaphragm, Ball, Angle, Butterfly

Answer 163

(E) B or C

Answer 164

(D) 54.41

Answer 165

(C) Improve the precision of the valve

Answer 166

(E) Seal process fluid from escaping past the stem

Answer 167

(B) calibrated with complementary ranges.

Answer 168

(E) Less actuating force required

Answer 169

(C) pressure recovery

Answer 170

(A) the nature of the process

Answer 171

(E) Noise

Answer 172

(D) Self-regulating, Integral

Answer 173

(A) Gain

Answer 174

(E) a condition of good control where oscillations quickly subside

Answer 175

(C) repeats per minute

Answer 176

(E) 0.571

Answer 177

(C) Self-regulating

Answer 178

(A) wind-up

Answer 179

(C) Reset

Answer 180

(A) to dampen noise

Answer 181

(E) one controller providing a setpoint for another controller

Answer 182

(E) Nonlinear

Answer 183

(A) Steam flow, drum level, and feedwater flow

Answer 184

(B) reduce the effect of load variation on the process variable

Answer 185

(D) Controlled variable

Answer 186

(C) one variable is controlled in proportion to another

Answer 187

(D) Cascade

Answer 188

(A) after the secondary is tuned

Answer 189

(A) Feedforward with trim

Answer 190

(A) equalize load and manipulated variable lags in a feedforward system

Answer 191

(D) SAMA diagram

Answer 192

(D) P&ID

Answer 193

(A) Electronic, on the front of the main control panel

Answer 194

(C) pneumatic, electric, capillary, hydraulic

Answer 195

(E) It would decrease

Answer 196

(B) $I_{CBL23} = 14.2 \text{ mA}$, $I_{CBL27} = 16.8 \text{ mA}$

Answer 197

(D) 21.30 volts

Answer 198

(C) Valve TV-205 will close shut, making the process cool down

Answer 199

(E) A computer

Answer 200

(A) High-level alarm

Answer 201

(C) Programmable Logic Controller

Answer 202

(D) Virtual relay contacts and coils

Answer 203

(C) the entire program takes to execute

Answer 204

(B) Seal-in contact

Answer 205

(D) $C(\overline{AB} + \overline{D})$

Answer 206

(E) where the edited program resides

Answer 207

(C) Is not reset after a power cycle

Answer 208

(B) 65,535

Answer 209

(D) Normally-open contacts in parallel

Answer 210

(E) A PID function block

Answer 211

(C) Distributive Control System

Answer 212

(B) it is robust and inexpensive

Answer 213

(C) the number of active bits

Answer 214

(E) error detection

Answer 215

(B) Counting discrete events

Answer 216

(C) Differential voltage signaling, multipoint

Answer 217

(C) Control algorithms may reside in the field devices

Answer 218

(D) To monitor the operation of the microprocessor

Answer 219

(D) Speed

Answer 220

(B) To control a potentially dangerous process
